

**REPAIR PARTS MANUAL**  
**MODEL NO. MJ15B97H (96011013700)**  
**Lawn Tractor**

---



**Mr. JARDINAGE**

# HOW TO USE THIS MANUAL

This manual is designed to provide the customer with a means to identify the parts on his/her tractor when ordering repair parts. The illustrations may or may not represent the actual assemblies; therefore, it is not recommended to use this manual as a guide to assemble or disassemble the tractor. Some hardware and parts are drawn larger in order to more readily identify them.

Each tractor has its own model number.

The model number for your tractor can be found on the fender under the seat.

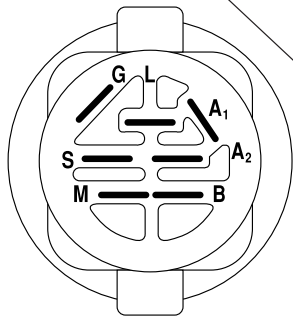
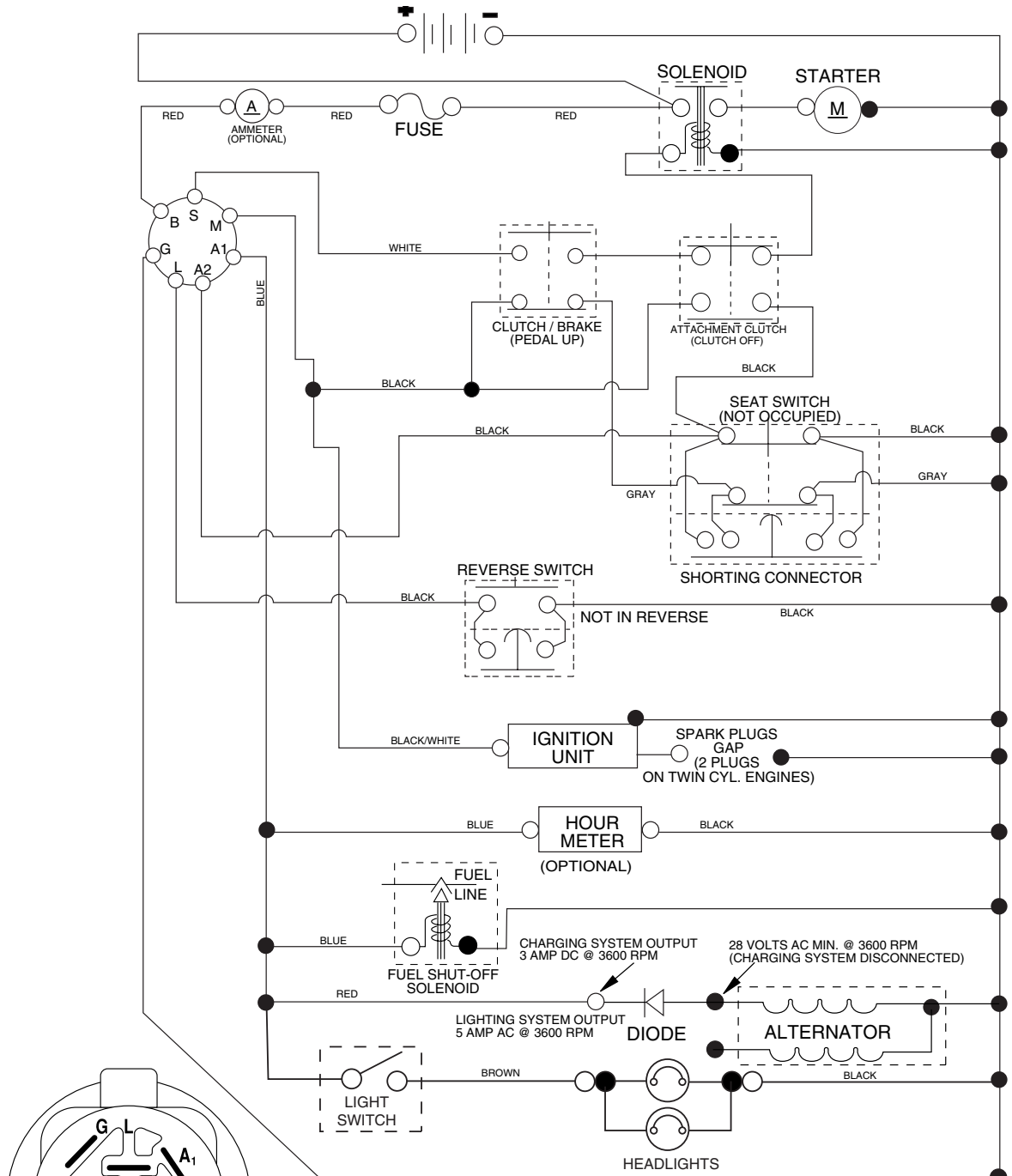
When ordering parts, always give the following information:

- Product - "Lawn Tractor"
- Model Number - "MJ15B97H" (96011013700)
- Part Number
- Part Description

## TABLE OF CONTENTS

|                                    |              |
|------------------------------------|--------------|
| <b>SCHEMATIC .....</b>             | <b>3</b>     |
| <b>ELECTRICAL.....</b>             | <b>4-5</b>   |
| <b>CHASSIS AND ENCLOSURES.....</b> | <b>6-7</b>   |
| <b>DRIVE.....</b>                  | <b>8-9</b>   |
| <b>STEERING ASSEMBLY.....</b>      | <b>10-11</b> |
| <b>SEAT ASSEMBLY .....</b>         | <b>12</b>    |
| <b>DECALS.....</b>                 | <b>13</b>    |
| <b>ENGINE.....</b>                 | <b>14-15</b> |
| <b>MOWER DECK .....</b>            | <b>16-17</b> |
| <b>LIFT .....</b>                  | <b>18-19</b> |

# TRACTOR - MODEL NO. MJ15B97H (96011013700), PRODUCT NO. 960 11 01-37 SCHEMATIC



**IGNITION SWITCH**

| POSITION     | CIRCUIT    | "MAKE" |
|--------------|------------|--------|
| OFF          | M+G+A1     |        |
| RUN/OVERRIDE | B+A1       |        |
| RUN          | B+A1       | L+A2   |
| START        | B + S + A1 |        |

03059

**NOTE**

YOUR TRACTOR IS EQUIPPED WITH A SPECIAL ALTERNATOR SYSTEM. THE LIGHTS ARE NOT CONNECTED TO THE BATTERY, BUT HAVE THEIR OWN ELECTRICAL SOURCE. BECAUSE OF THIS, THE BRIGHTNESS OF THE LIGHTS WILL CHANGE WITH ENGINE SPEED. AT IDLE THE LIGHTS WILL DIM. AS THE ENGINE IS SPEEDED UP, THE LIGHTS WILL BECOME THEIR BRIGHTEST.

●  
NON-REMOVABLE CONNECTIONS

○  
REMOVABLE CONNECTIONS

**WIRING INSULATED CLIPS**

**NOTE:** IF WIRING INSULATED CLIPS WERE REMOVED FOR SERVICING OF UNIT, THEY SHOULD BE REPLACED TO PROPERLY SECURE YOUR WIRING.



# REPAIR PARTS

TRACTOR - MODEL NO. MJ15B97H (96011013700), PRODUCT NO. 960 11 01-37  
ELECTRICAL

| KEY NO. | PART NO.     | DESCRIPTION                           |
|---------|--------------|---------------------------------------|
| 1       | 532 16 34-65 | Battery 12 Volt 25 AMP                |
| 2       | 874 76 04-12 | Bolt Hex Hd 1/4-20 unc x 3/4          |
| 8       | 532 17 66-89 | Box Battery                           |
| 16      | 532 17 61-38 | Switch Interlock Push-In              |
| 21      | 532 18 37-59 | Harness Asm Light                     |
| 22      | 532 00 41-52 | Bulb Light                            |
| 24      | 532 12 47-80 | Cable Battery 6 Ga. 11" red           |
| 25      | 532 14 61-47 | Cable Battery 6 Ga. 44" red w/16 wire |
| 26      | 532 17 51-58 | Fuse 20 AMP                           |
| 27      | 873 51 04-00 | Nut Keps Hex 1/4-20 unc               |
| 28      | 532 12 47-73 | Cable Ground 6 Ga. 12" black          |
| 29      | 532 19 27-49 | Switch Seat                           |
| 30      | 532 19 33-50 | Switch Ign                            |
| 33      | 532 14 04-01 | Key Ign Molded Generic                |
| 34      | 532 11 07-12 | Light Switch                          |
| 40      | 532 19 74-28 | Harness Ign.                          |
| 41      | 871 11 04-08 | Bolt Blk Fin Hex 1/4 - 20 x 1/2       |
| 42      | 532 13 15-63 | Cover Terminal Red                    |
| 43      | 532 19 25-07 | Solenoid                              |
| 45      | 532 12 14-33 | Ammeter Rectangular                   |
| 52      | 532 14 19-40 | Protection Wire Loop                  |
| 90      | 532 18 04-49 | Cover Terminal Battery                |
| 92      | 532 19 66-15 | Harness Pigtail Consle ROS            |
| 93      | 532 19 25-40 | Screw Plastic 10-14 x 2.0             |
| 94      | 532 19 18-34 | Module Reverse ROS                    |

**NOTE:** All component dimensions given in U.S. inches.  
1 inch = 25.4 mm.



# REPAIR PARTS

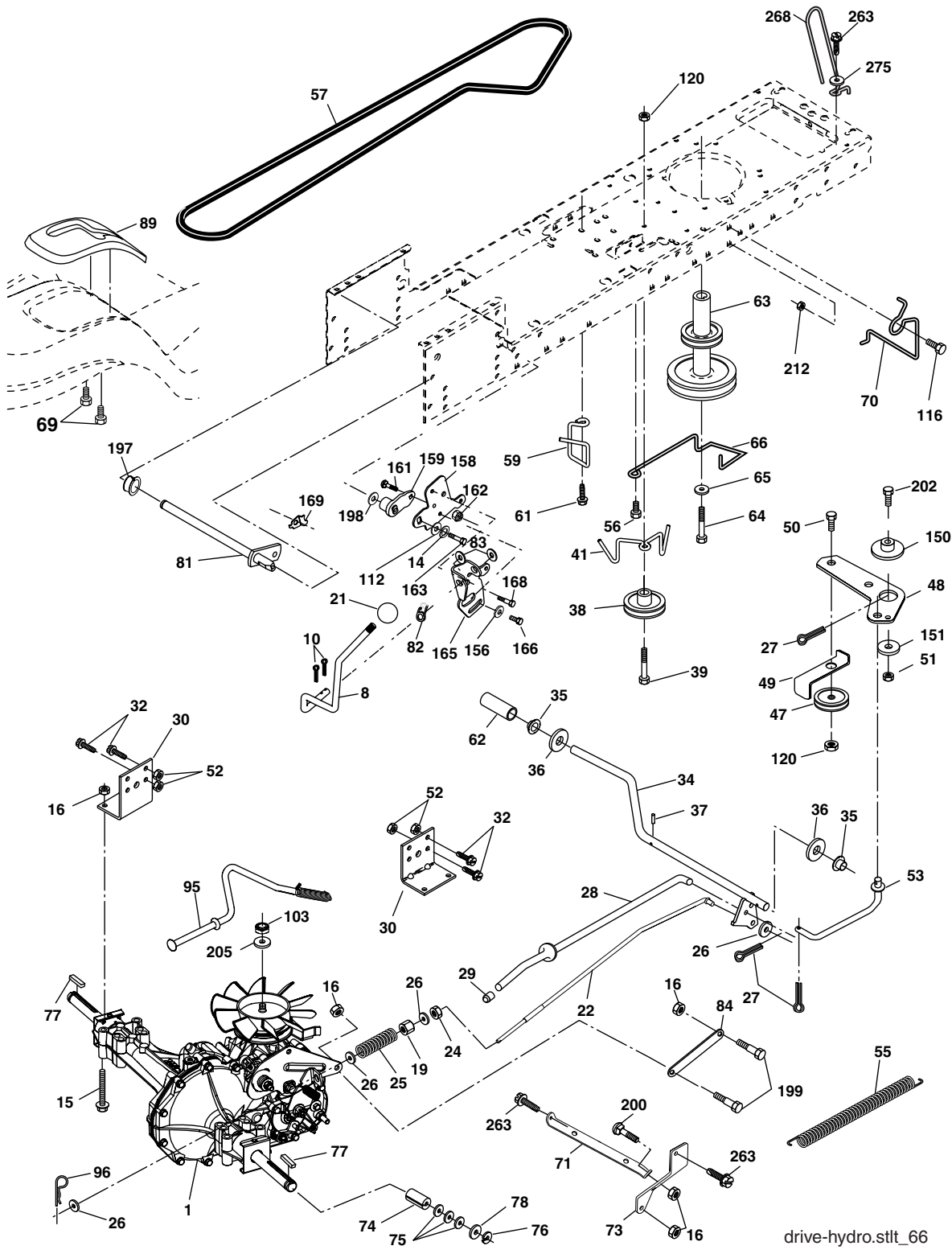
TRACTOR - MODEL NO. MJ15B97H (96011013700), PRODUCT NO. 960 11 01-37  
CHASSIS AND ENCLOSURES

| KEY NO. | PART NO.     | DESCRIPTION   |
|---------|--------------|---|
| 1       | 532 17 46-19 | Chassis Stamping                                      |
| 2       | 532 17 65-54 | Drawbar   |
| 5       | 532 15 52-72 | Bumper Hood/Dash                                      |
| 9       | 532 19 68-36 | Dash P/L  |
| 10      | 872 14 06-08 | Bolt Carriage 3/8-16 x 1                              |
| 11      | 532 17 49-96 | Panel Dash Lh   |
| 13      | 532 18 17-19 | Panel Dash Rh   |
| 14      | 817 49 06-08 | Screw Thdrol 3/8-16 x 1/2                             |
| 17      | 532 40 38-31 | Hood  |
| 18      | 532 18 49-21 | Bumper Hood   |
| 26      | 873 80 06-00 | Nut Lock Hex W/Ins 3/8-16 unc                         |
| 28      | 532 40 34-89 | Grille/Lens (Includes key nos. 212,258,259,260 & 261) |
| 30      | 532 40 38-32 | Fender Footrest                                       |
| 31      | 532 13 99-76 | Bracket Support Fender                                |
| 37      | 817 49 05-08 | Screw Thdrol 6/16-18 x 1/2 TYT                        |
| 39      | 532 17 47-14 | Bracket Pivot   |
| 38      | 532 17 57-10 | Bracket, Asm. Pivot, Mower Rear                       |
| 60      | 872 14 06-06 | Bolt RDHD SQNK 3/8-16 UNC x 3/4                       |
| 64      | 532 15 47-98 | Dash Lower  |
| 74      | 873 68 06-00 | Nut Crownlock 3/8-16 UNC                              |
| 142     | 532 17 57-02 | Plate Reinforcement                                   |
| 143     | 532 18 66-89 | Bracket Swaybar Chassis Notch                         |
| 144     | 532 17 55-82 | Bracket Footrest                                      |
| 145     | 532 15 65-24 | Rod Pivot Chassis/Hood                                |
| 206     | 532 17 01-65 | Bolt Shoulder 5/16-18 TT                              |
| 207     | 817 67 05-08 | Screw Thdrol 5/16-18 x 1/2                            |
| 208     | 817 67 06-08 | Screw Thdrol 3/8-16 x 1/2                             |
| 209     | 817 00 06-12 | Screw Hexwsh Thdr 3/8-16 x 3/4                        |
| 212     | 532 18 42-48 | Insert Lens   |
| 258     | 532 19 05-07 | Lens RH Clear   |
| 259     | 532 19 05-08 | Lens LH Clear   |
| 260     | 532 40 38-51 | Cover Lens  |
| 261     | 532 19 05-05 | Insert Grille   |
| 278     | 532 19 16-11 | Screw 10 x 3/4 Single Lead-Hex                        |
| --      | 532 00 54-79 | Plug Btn  |

**NOTE:** All component dimensions given in U.S. inches  
1 inch = 25.4 mm

# REPAIR PARTS

TRACTOR - MODEL NO. MJ15B97H (96011013700), PRODUCT NO. 960 11 01-37  
DRIVE



drive-hydro.stlt\_66



# REPAIR PARTS

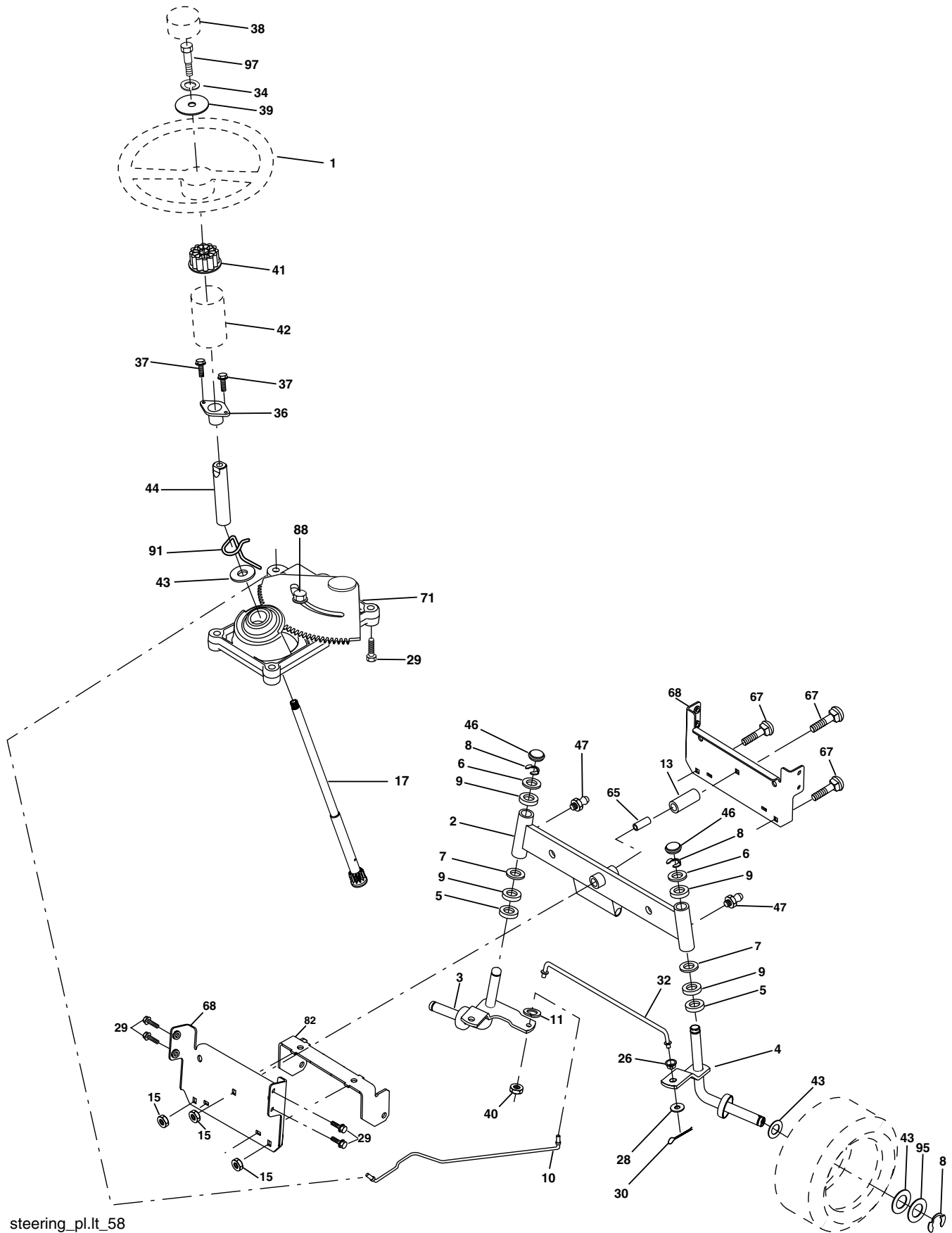
**TRACTOR - MODEL NO. MJ15B97H (96011013700), PRODUCT NO. 960 11 01-37  
DRIVE**

| KEY NO. | PART NO.     | DESCRIPTION  | KEY NO. | PART NO.     | DESCRIPTION                       |
|---------|--------------|--|---------|--------------|-----------------------------------|
| 1       | -----        | Transaxle, 322-0510<br>(Order Parts From Transaxle<br>Manufactuer) | 70      | 532 13 46-83 | Guide Belt Mower Drive RH         |
| 8       | 532 19 25-02 | Rod Shift Fender Adjust STLT                                       | 71      | 532 16 91-83 | Strap Torque LH                   |
| 10      | 876 02 04-16 | Pin Cotter 1/8 x 1 Cad   | 73      | 532 16 91-82 | Strap Torque RH                   |
| 14      | 810 04 04-00 | Washer Lock Hvy Helical 1/4  | 74      | 532 13 70-57 | Spacer Axle                       |
| 15      | 874 49 05-44 | Bolt 5/16-18 Gr. 5   | 75      | 532 12 17-49 | Washer 25/32 x 1 1/4 x 16 Ga.     |
| 16      | 873 80 05-00 | Nut Lock Hx W/Ins 5/16-18 unc Pl                                   | 76      | 812 00 00-01 | E-ring #5133-75                   |
| 19      | 873 80 06-00 | Nut Lock 3/8-16 unc  | 77      | 532 12 35-83 | Key Square 2 0 x 1845/ 1865       |
| 21      | 532 10 69-33 | Knob   | 78      | 532 12 17-48 | Washer 25/32 x 1-5/8 x 16 Ga.     |
| 22      | 532 16 94-98 | Rod Brake Blk Zinc 26 840  | 81      | 532 16 55-96 | Shaft Asm Cross Tapered 18"       |
| 24      | 873 35 06-00 | Nut Hex Jam 3/8-16 unc   | 82      | 532 16 57-11 | Spring Torsion T/a                |
| 25      | 532 10 68-88 | Spring Rod Brake 2 00 Zinc   | 83      | 819 17 12-16 | Washer 17/32 x 3/4 x 16 Ga.       |
| 26      | 819 13 13-16 | Washer 13/32 x 13/16 x 16 Ga                                       | 84      | 532 16 98-43 | Transaxle Link                    |
| 27      | 876 02 04-12 | Pin Cotter 1/8 x 3/4 Cad   | 89      | 532 19 57-46 | Console Shift STLT                |
| 28      | 532 17 57-65 | Rod Brake Parking LT/YT  | 95      | 532 17 02-01 | Control Asm Bypass                |
| 29      | 532 07 16-73 | Cap Brake Parking Black  | 96      | 532 12 47-88 | Retainer Spring 1"                |
| 30      | 532 17 49-73 | Bracket Mtg Transaxle  | 103     | 819 17 16-16 | Washer 17/32 x 1 x 16 Ga.         |
| 32      | 874 76 05-12 | Bolt Hex Hd 5/16-18 unc x 3/4                                      | 112     | 819 09 12-10 | Washer 9/32 x 3/4 x 10 Ga.        |
| 34      | 532 17 55-78 | Shaft Asm Pedal Foot   | 116     | 872 14 06-08 | Bolt Rdhd Sq Neck 3/8-16 x 1      |
| 35      | 532 12 01-83 | Bearing Nylon Blk 629 Id   | 120     | 873 90 06-00 | Nut Lock Flg. 3/8-16              |
| 36      | 819 21 16-16 | Washer 21/32 x 1 x 16 Ga   | 150     | 532 17 54-56 | Spacer Retainer                   |
| 37      | 532 12 49-63 | Pin Roll 3/16 x 1"   | 151     | 819 13 32-10 | Washer 13/32 x 2 x 10 Ga.         |
| 38      | 532 17 91-14 | Pulley Composite   | 156     | 532 16 60-02 | Washer Srrted 5/16 ID x 1.125     |
| 39      | 872 11 06-22 | Bolt Rdhd 3/8-16 x 2-3/4 Gr. 5                                     | 158     | 532 16 55-89 | Bracket Shift Mount               |
| 41      | 532 17 55-56 | Keeper Belt Idler Flat   | 159     | 532 18 39-00 | Hub Shift                         |
| 47      | 532 12 77-83 | Pulley Idler V Groove Plastic                                      | 161     | 872 14 04-06 | Bolt Rdhd Sqnk 1/4-20 x 3/4 Gr. 5 |
| 48      | 532 15 44-07 | Bellcrank Clutch Grnd Drv Stl                                      | 162     | 873 68 04-00 | Nut Crownlock 1/4-20 unc          |
| 49      | 532 12 32-05 | Retainer Belt Style Spring   | 163     | 874 78 04-16 | Bolt Hex Fin 1/4-20 unc x 1 Gr. 5 |
| 50      | 872 11 06-12 | Bolt Carr. sh 3/8-16 x 1-1/2 Gr. 5                                 | 165     | 532 16 56-23 | Bracket Pivot Lever               |
| 51      | 873 68 06-00 | Nut Crownlock 3/8-16 unc   | 166     | 817 49 05-10 | Screw 5/16-18 x 5/8               |
| 52      | 873 68 05-00 | Nut Crownlock 5/16-18 unc  | 168     | 532 16 54-92 | Bolt Shoulder 5/16-18 x .561      |
| 53      | 532 19 96-52 | Link Clutch  | 169     | 532 16 55-80 | Plate Fastening STLT/CRD          |
| 55      | 532 10 57-09 | Spring Return Clutch 6 75  | 197     | 532 16 96-13 | Nyliner Snap-In 5/8" ID           |
| 56      | 817 06 06-20 | Screw 3/8-16 x 1-1/4   | 198     | 532 16 95-93 | Washer Nyl 7/8 Id x .105" Hyd     |
| 57      | 532 14 02-94 | V-Belt   | 199     | 532 16 96-12 | Bolt Shoulcer 5/16-18 UNC         |
| 59      | 532 16 96-91 | Keeper Belt Span Ctr   | 200     | 873 80 05-00 | Nut Lock Hx W/ins 5/16-18 UNC     |
| 61      | 817 12 06-14 | Screw 3/8-16 x .875  | 202     | 872 11 06-14 | Bolt 3/8-16 x 1-3/4 Gr. 5         |
| 62      | 532 12 48-72 | Cover Pedal  | 205     | 873 94 08-00 | Nut Hex Jam Toplock 1/2-20 UNF    |
| 63      | 532 17 54-10 | Engine Pulley  | 212     | 532 14 52-12 | Nut Hex Flg Lock                  |
| 64      | 532 17 39-37 | Bolt Hex   | 263     | 817 00 06-12 | Screw 3/8-16 x 3/4                |
| 65      | 810 04 07-00 | Washer Lock Hvy Hlcl Spr 7/16                                      | 268     | 532 18 24-02 | Guard Muffler                     |
| 66      | 532 15 47-78 | Keeper Belt Engine Foolproof                                       | 275     | 819 13 16-14 | Washer 13/32 x 1 x 14 Ga.         |
| 69      | 532 14 24-32 | Screw Hex Wsh Hi-Lo 1/4-1/2 unc                                    |         |              |                                   |

**NOTE:** All component dimensions given in U.S. inches  
1 inch = 25.4 mm

# REPAIR PARTS

TRACTOR - MODEL NO. MJ15B97H (96011013700), PRODUCT NO. 960 11 01-37  
STEERING ASSEMBLY



steering\_pl.it\_58

# REPAIR PARTS

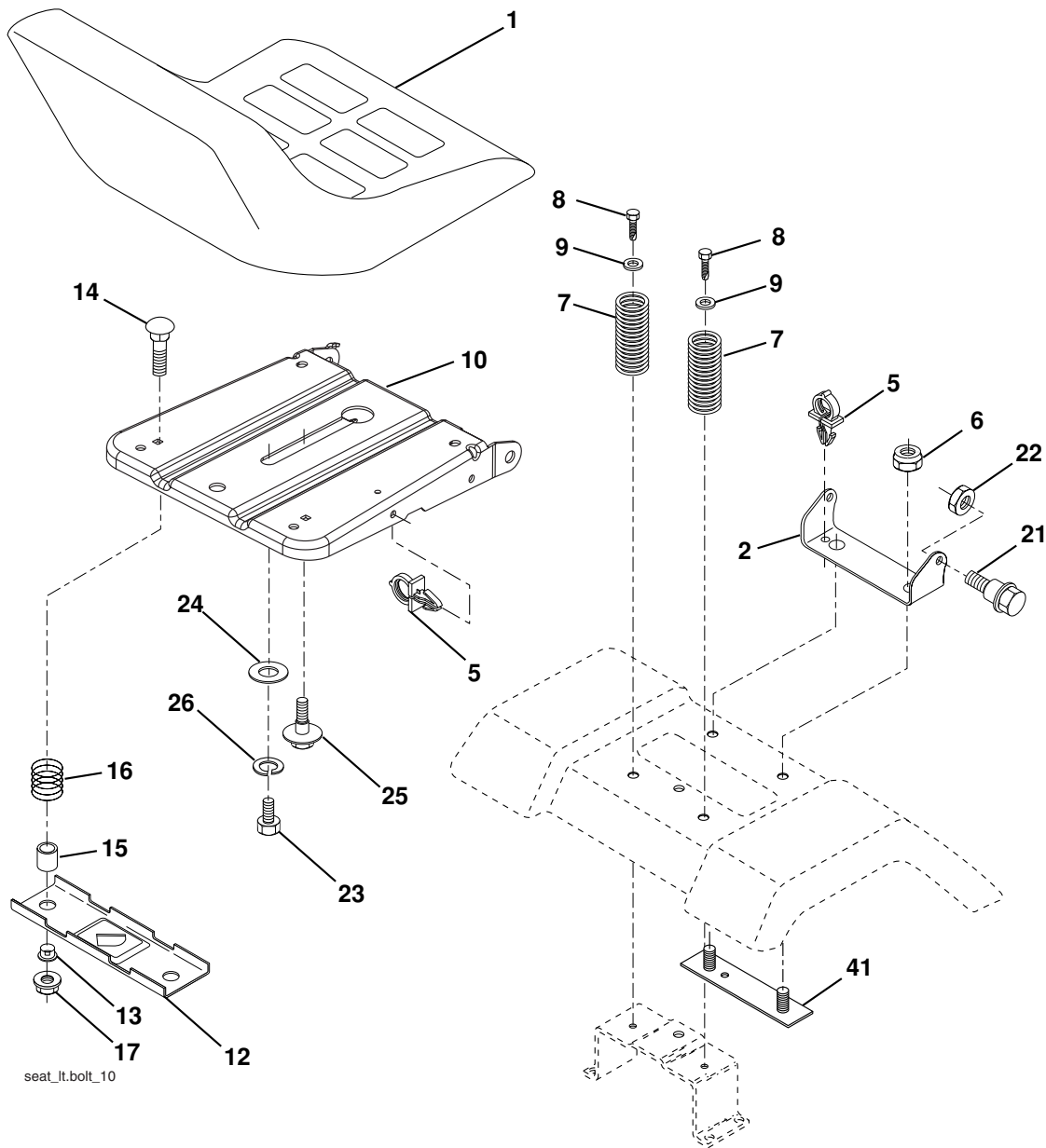
TRACTOR - MODEL NO. MJ15B97H (96011013700), PRODUCT NO. 960 11 01-37  
STEERING ASSEMBLY

| KEY NO. | PART NO.     | DESCRIPTION                       |
|---------|--------------|-----------------------------------|
| 1       | 532 19 45-95 | Wheel Steering                    |
| 2       | 532 17 51-31 | Axle Asm                          |
| 3       | 532 16 98-40 | Spindle Asm LH                    |
| 4       | 532 16 98-39 | Spindle Asm RH                    |
| 5       | 532 12 49-31 | Bearing Race Thrust Harden        |
| 6       | 532 12 17-48 | Washer 25/32 x 1-5/8 x 16 Ga.     |
| 7       | 819 27 20-16 | Washer 27/32 x 1-1/4 x 16 Ga.     |
| 8       | 812 00 00-29 | Ring Klip #t5304-75               |
| 9       | 532 12 49-37 | Bearing Col Strg Blk              |
| 10      | 532 17 51-21 | Link Drag                         |
| 11      | 810 04 06-00 | Washer Lock Hvy Hlcl Spr 3/8      |
| 13      | 532 13 65-18 | Spacer Brg Axle Front             |
| 15      | 532 14 52-12 | Nut Hex Flange Lock               |
| 17      | 532 19 07-53 | Shaft Asm Strg                    |
| 26      | 532 12 68-47 | Bushing Link Drag Blk LR          |
| 28      | 819 13 14-16 | Washer 13/32 x 7/8 x 16 Ga.       |
| 29      | 817 00 06-12 | Screw 3/8-16 x 3/4                |
| 30      | 876 02 04-12 | Pin Cotter 1/8 x 3/4 Cad          |
| 32      | 532 19 27-57 | Rod Tie                           |
| 34      | 810 04 05-00 | Washer Lock Hvy Hlcl Spr. 5/16    |
| 36      | 532 15 50-99 | Bushing Strg                      |
| 37      | 532 15 29-27 | Screw                             |
| 38      | 532 19 46-03 | Insert Cap Strg Wh                |
| 39      | 819 11 38-12 | Washer 11/32 ID x 2-3/8 OD 12 Ga. |
| 40      | 873 54 06-00 | Nut Crownlock 3/8-24              |
| 41      | 532 18 67-37 | Adaptor Wheel Strg                |
| 42      | 532 16 96-33 | Boot Steering Shaft               |
| 43      | 532 12 17-49 | Washer 25/32 x 1-1/4 x 16 Ga.     |
| 44      | 532 19 07-52 | Extension Steering Shaft          |
| 46      | 532 12 12-32 | Cap Spindle Fr Top Blk            |
| 47      | 532 18 32-26 | Fitting Grease                    |
| 65      | 532 16 03-67 | Spacer Brace Axle                 |
| 67      | 872 11 06-18 | Bolt, Rdhd Sqnk 3/8-16 x 2-1/4    |
| 68      | 532 16 98-27 | Axle, Brace                       |
| 71      | 532 17 51-46 | Steering Asm.                     |
| 82      | 532 19 99-78 | Bracket Susp Chassis Front        |
| 88      | 532 17 51-18 | Bolt Shoulder 7/16-20             |
| 91      | 532 17 55-53 | Clip Steering                     |
| 95      | 532 18 89-67 | Washer Harden .793 x 1.637 x 060  |
| 97      | 874 78 05-64 | Bolt 5/16-18 unc x 4"L Gr. 5      |

**NOTE:** All component dimensions given in U.S. inches.  
1 inch = 25.4 mm.

# REPAIR PARTS

TRACTOR - MODEL NO. MJ15B97H (96011013700), PRODUCT NO. 960 11 01-37  
SEAT ASSEMBLY



seat\_it.bolt\_10

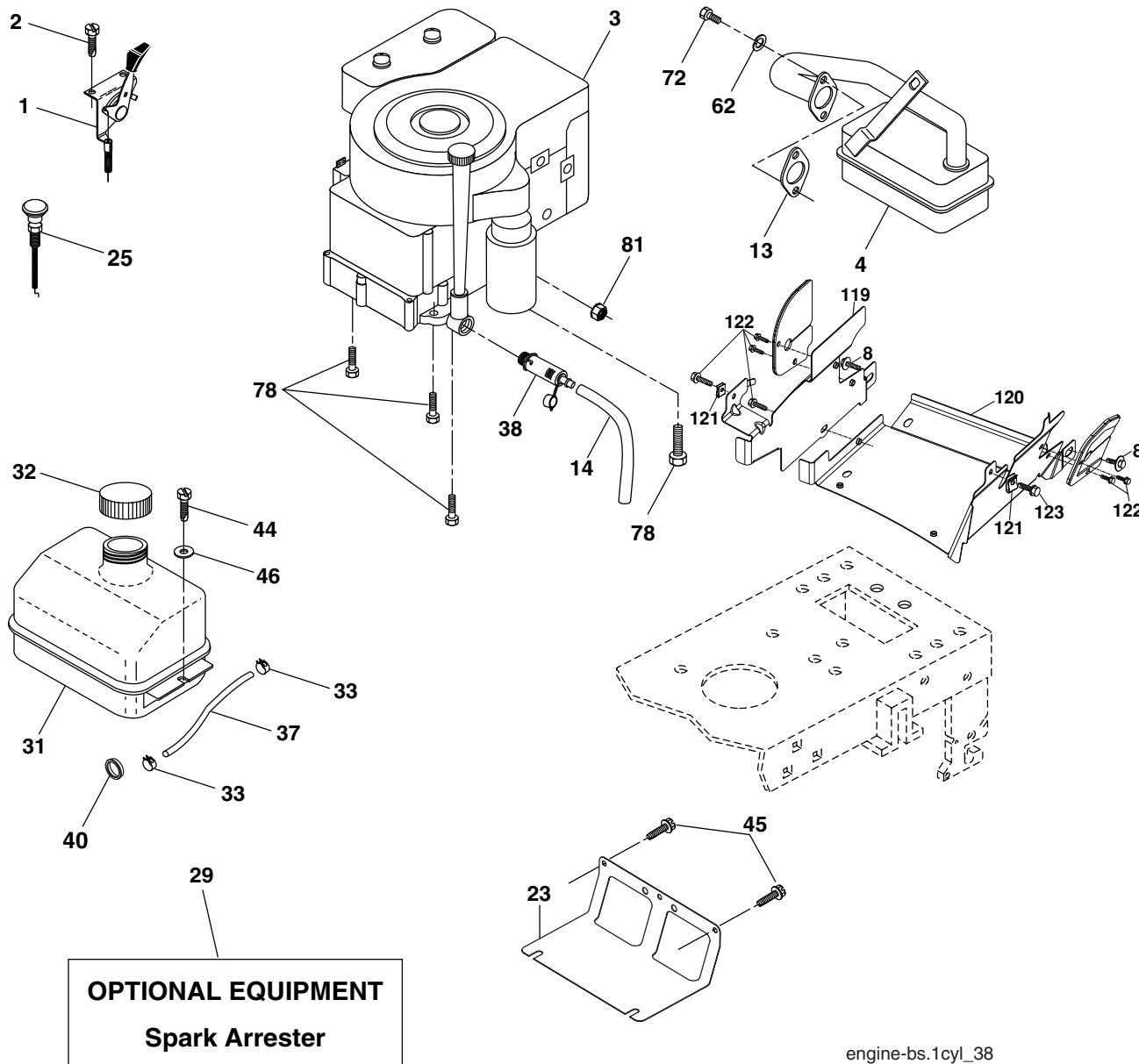
| KEY NO. | PART NO.     | DESCRIPTION                    |
|---------|--------------|--------------------------------|
| 1       | 532 40 10-42 | Seat                           |
| 2       | 532 14 05-51 | Bracket Pivot                  |
| 5       | 532 14 50-06 | Clip Push-In                   |
| 6       | 873 80 06-00 | Nut Hex w/Ins. 3/8-16 unc      |
| 7       | 532 12 41-81 | Spring Seat Cprsn 2 250 Blk Zi |
| 8       | 817 00 06-16 | Screw 3/8-16 x 1-1/2           |
| 9       | 819 13 16-14 | Washer 13/32 x 1 x 14 Ga.      |
| 10      | 532 19 55-30 | Pan Seat                       |
| 12      | 532 17 46-48 | Bracket Mounting Switch        |
| 13      | 532 12 12-48 | Bushing Snap Blk Nyl 50 Id     |
| 14      | 872 05 04-12 | Bolt Rdhd Sqnk 1/4-20 x 1-1/2  |

| KEY NO. | PART NO.     | DESCRIPTION                     |
|---------|--------------|---------------------------------|
| 15      | 532 13 43-00 | Spacer Split 28 x 96 Yel Zinc   |
| 16      | 532 12 12-50 | Spring Cprsn 1 27 Blk Pnt       |
| 17      | 532 12 39-76 | Nut Lock 1/4 Lge Flg Gr. 5 Zinc |
| 21      | 532 17 18-52 | Bolt Shoulder 5/16-18 unc       |
| 22      | 873 80 05-00 | Nut Hex Lock W/Ins 5/16-18      |
| 23      | 871 11 08-14 | Bolt hex                        |
| 24      | 819 17 19-12 | Washer 17/32 x 1-3/16 x 12 Ga.  |
| 25      | 532 12 70-18 | Bolt Shoulder 5/16-18 x .62     |
| 26      | 810 04 08-00 | Washer Lock HVY HLCL SPR 1/2    |
| 41      | 532 14 06-75 | Strap Asm.                      |

**NOTE:** All component dimensions given in U.S. inches.  
1 inch = 25.4 mm

# REPAIR PARTS

TRACTOR - MODEL NO. MJ15B97H (96011013700), PRODUCT NO. 960 11 01-37  
ENGINE



engine-bs.1cyl\_38

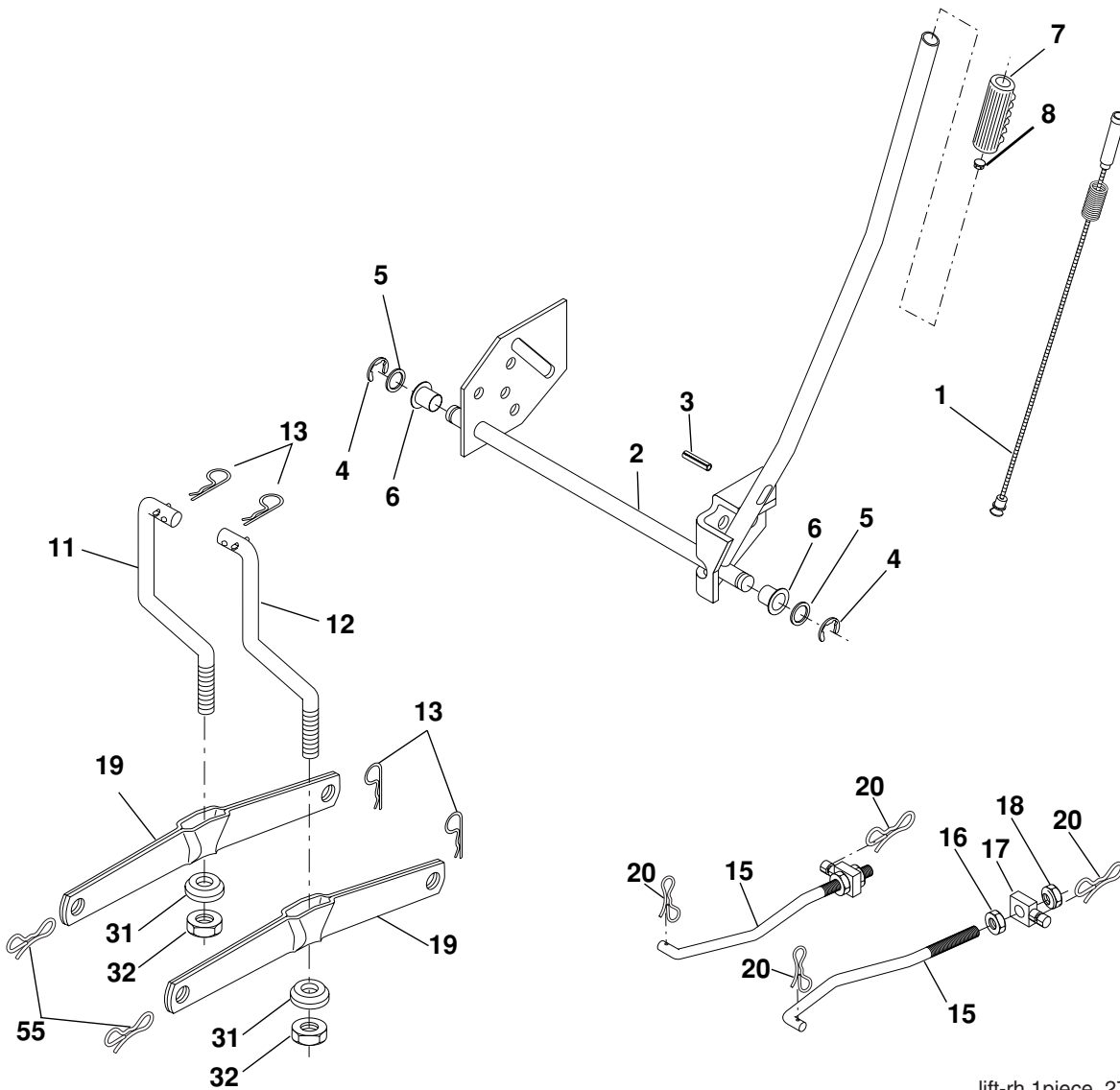
| KEY NO. | PART NO.     | DESCRIPTION   |
|---------|--------------|---|
| 1       | 532 17 05-51 | Control Th/ch Flag  |
| 2       | 817 72 04-08 | Screw Hex Thd Cut 1/4-20 x 1/2  |
| 3       | -----        | Engine B&S Model No. 281H07<br>(Order Parts From Engine Manufacturer) |
| 4       | 532 13 73-52 | Muffler LT B&S  |
| 8       | 532 17 18-77 | Bolt 5/16-18 UNC x 3/4 w/Sems   |
| 13      | 532 16 52-91 | Gasket Eng 1 313 Id Tin Plated  |
| 14      | 532 14 84-56 | Tube Drain Oil Easy   |
| 23      | 532 16 98-37 | Shield Brn/Dbr Guard  |
| 25      | 532 19 06-95 | Control Choke   |
| 29      | 532 13 71-80 | Kit Spark Arrestor (Flat Scrn)  |
| 31      | 532 18 77-50 | Tank Fuel Front   |
| 32      | 532 19 77-25 | Cap Asm Fuel  |
| 33      | 532 12 34-87 | Clamp Hose Black  |
| 37      | 532 13 70-40 | Line Fuel 20"   |
| 38      | 532 18 16-54 | Plug Drain Oil Easy   |

| KEY NO. | PART NO.     | DESCRIPTION                       |
|---------|--------------|-----------------------------------|
| 40      | 532 12 40-28 | Bushing Snap Nyl Blk Fuel Line    |
| 44      | 817 67 04-12 | Screw Hexwsh Thdrol 1/4-20 x 3/4  |
| 45      | 817 00 06-12 | Screw Hex Wsh Thdrol 3/8-16 x 3/4 |
| 46      | 819 09 14-16 | Washer 9/32 x 7/8 x 16 Ga.        |
| 62      | 810 04 05-00 | Washer Lock 5/16                  |
| 72      | 532 19 23-34 | Screw socket HD 5/16-18 x .75     |
| 78      | 817 06 06-20 | Screw 3/8-16x1-1/4                |
| 81      | 873 51 04-00 | Nut 1/4-20                        |
| 119     | 532 40 05-97 | Guard Asm Eng LH                  |
| 120     | 532 40 05-96 | Guard Asm Eng RH                  |
| 121     | 532 19 66-88 | Clips Threaded                    |
| 122     | 532 13 77-29 | Screw THD Roll 1/4-20 x 5/8       |
| 123     | 817 67 05-08 | Screw THDROL 5/16-18 x 1/2        |

**NOTE:** All component dimensions given in U.S. inches  
1 inch = 25.4 mm

# REPAIR PARTS

TRACTOR - MODEL NO. MJ15B97H (96011013700), PRODUCT NO. 960 11 01-37  
MOWER LIFT



lift-rh.1piece\_27

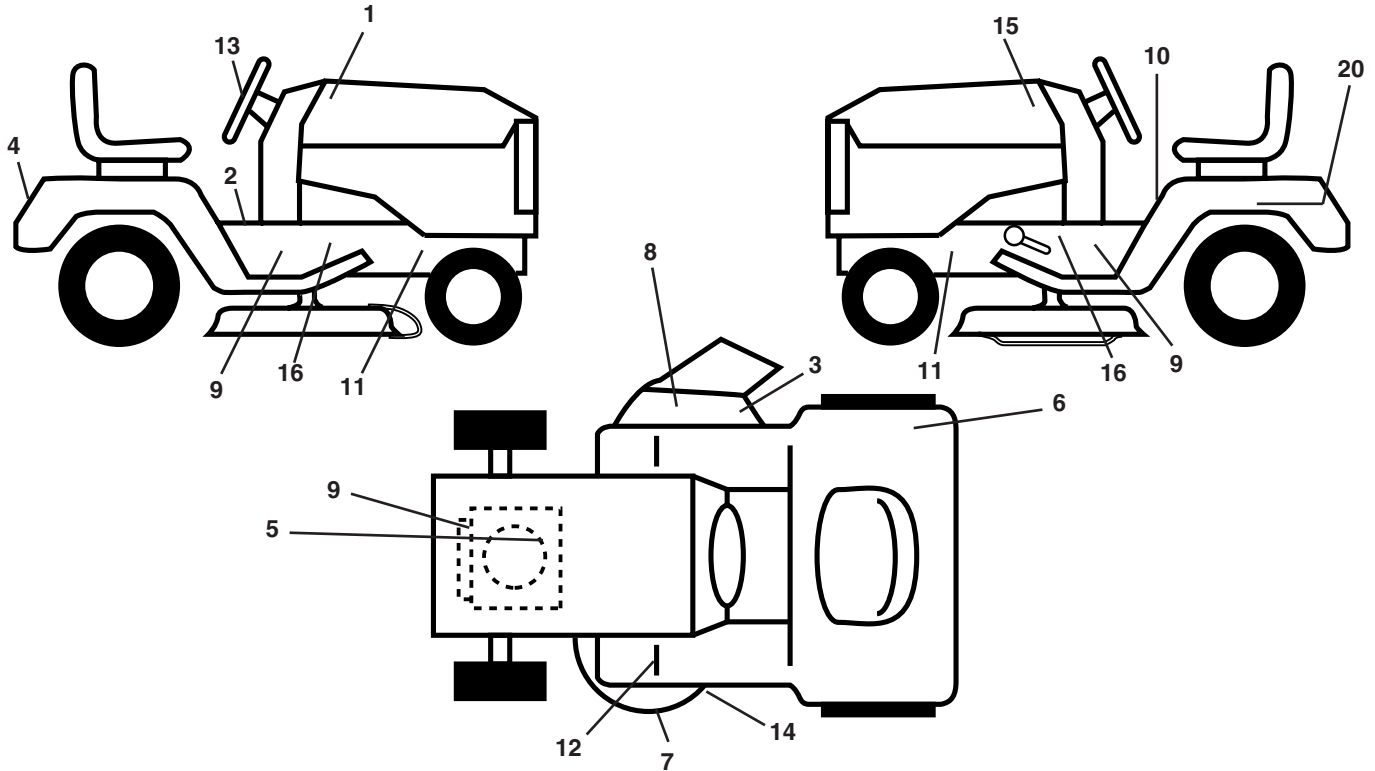
| KEY NO. | PART NO.     | DESCRIPTION                     |
|---------|--------------|---------------------------------|
| 1       | 532 15 94-60 | Wire Asm Inner/Spring W/plunger |
| 2       | 532 15 94-71 | Shaft Asm Lift                  |
| 3       | 532 10 57-67 | Pin Groove                      |
| 4       | 812 00 00-02 | E Ring #5133-62                 |
| 5       | 819 21 16-21 | Washer PLTD 21/32 x 1 x 21 Ga.  |
| 6       | 532 12 01-83 | Bearing Nylon Blk 629 Id        |
| 7       | 532 10 94-13 | Grip Handle                     |
| 8       | 532 12 45-26 | Button Plunger Black            |
| 11      | 532 13 98-65 | Link Lift LH                    |
| 12      | 532 13 98-66 | Link Lift RH                    |
| 13      | 532 12 46-70 | Retainer Spring                 |

| KEY NO. | PART NO.     | DESCRIPTION                 |
|---------|--------------|-----------------------------|
| 15      | 532 17 32-88 | Link Front                  |
| 16      | 873 35 08-00 | Nut Jam Hex 1/2-13 unc      |
| 17      | 532 17 56-89 | Trunnion                    |
| 18      | 873 80 08-00 | Nut Lock W/wsh 1/2-13 unc   |
| 19      | 532 13 98-68 | Arm Suspension Rear         |
| 20      | 532 19 42-09 | Spring, Retainer            |
| 31      | 532 16 98-65 | Bearing Pvt. Lift           |
| 32      | 873 54 06-00 | Nut Crownlock 3/8-24        |
| 55      | 532 19 42-08 | Pin Cotter 5/16 Bowtie Lock |

**NOTE:** All component dimensions given in U.S. inches  
1 inch = 25.4 mm

# REPAIR PARTS

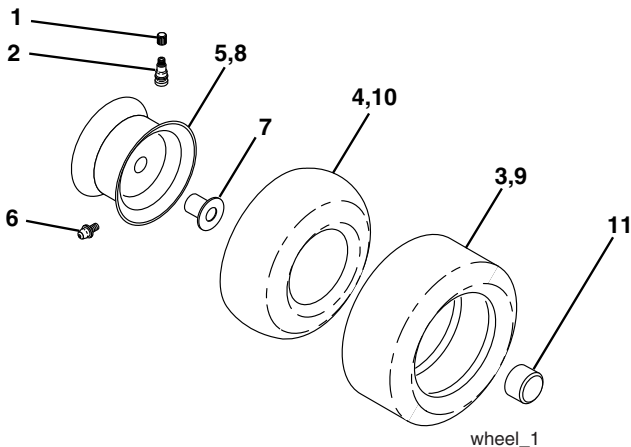
TRACTOR - MODEL NO. MJ15B97H (96011013700), PRODUCT NO. 960 11 01-37  
DECALS



| KEY NO. | PART NO.     | DESCRIPTION                   |
|---------|--------------|-------------------------------|
| 1       | 532 40 30-29 | Decal Hood RH                 |
| 2       | 532 14 08-37 | Decal Saddle Brake Parking    |
| 3       | 532 19 63-57 | Decal Deflector Warning       |
| 4       | 532 40 22-72 | Decal Fender                  |
| 5       | 532 19 80-75 | Decal HP Engine               |
| 6       | 532 18 04-32 | Decal 100DB/CE                |
| 7       | 532 13 49-99 | Decal Deck Enviro             |
| 8       | 532 18 21-66 | Decal Mower Cutting           |
| 9       | 532 19 68-41 | Decal Engine Warning Symbols  |
| 10      | 532 40 03-89 | Decal Warning Syms. CE        |
| 11      | 532 15 97-36 | Decal Chassis Hot Muffler     |
| 12      | 532 15 97-37 | Decal Brake/ Clutch Symbol Lt |

| KEY NO. | PART NO.     | DESCRIPTION                     |
|---------|--------------|---------------------------------|
| 13      | 532 40 22-73 | Decal Steering                  |
| 14      | 532 19 43-02 | Decal V-Belt Schematic          |
| 15      | 532 40 34-28 | Decal Hood LH                   |
| 16      | 532 40 11-46 | Decal Warning Service/Fire      |
| 20      | 532 14 50-05 | Decal Bat Dan/Psn               |
| --      | 532 16 69-60 | Decal Bypass                    |
| --      | 532 16 25-98 | Decal Drawbar                   |
| --      | 532 13 83-11 | Decal Handle Lift Height Adjust |
| --      | 532 18 82-53 | Pad Ftrest RH                   |
| --      | 532 18 82-52 | Pad Ftrest LH                   |
| --      | 532 40 08-95 | Manual Operator's (Euro.)       |
| --      | 532 40 35-25 | Manual Parts                    |

## WHEELS & TIRES



| KEY NO. | PART NO.     | DESCRIPTION                       |
|---------|--------------|-----------------------------------|
| 1       | 532 05 91-92 | Cap Valve Tire                    |
| 2       | 532 06 51-39 | Stem Valve                        |
| 3       | 532 10 62-22 | Tire F Ts 15 x 6 0 - 6 Service    |
| 4       | 532 05 99-04 | Tube Front (Service Item Only)    |
| 5       | 532 13 83-36 | Rim Asm 6" front Service          |
| 6       | 532 12 49-57 | Fitting Grease (Front Wheel Only) |
| 7       | 532 12 49-59 | Bearing Flange (Front Wheel Only) |
| 8       | 532 13 83-37 | Rim Asm 8" rear Service           |
| 9       | 532 10 62-68 | Tire R Ts 18 x 8 5-8 C Service    |
| 10      | 532 12 49-26 | Tube Rear (Service Item Only)     |
| 11      | 532 17 50-39 | Cap Axle Blk 1 50 x 1 00          |
| --      | 532 14 43-34 | Sealant, Tire ( 10 oz. Tube)      |

**NOTE:** All component dimensions given in U.S. inches  
1 inch = 25.4 mm







# REPAIR PARTS

**TRACTOR - MODEL NO. MJ15B97H (96011013700), PRODUCT NO. 960 11 01-37  
MOWER DECK**

| KEY NO. | PART NO.     | DESCRIPTION                      | KEY NO. | PART NO.     | DESCRIPTION  |
|---------|--------------|----------------------------------|---------|--------------|--|
| 1       | 532 19 25-56 | Mower Deck Assembly              | 104     | 810 07 10-00 | Washer Lock #10  |
| 2       | 872 14 05-06 | Bolt                             | 105     | 532 16 07-93 | Latch Asm  |
| 3       | 532 13 80-17 | Bracket Assembly, Sway Bar       | 106     | 532 12 50-04 | Nut Weld .327/.304 #10-24  |
| 4       | 532 19 25-68 | Bracket Sway Bar                 | 107     | 532 13 35-02 | Spacer, Retainer   |
| 5       | 532 12 46-70 | Retainer Spring                  | 108     | 532 13 35-03 | Stiffener, Idler Arm   |
| 6       | 532 17 80-24 | Bar, Sway Deck                   | 122     | 532 19 25-75 | Rod, Brake, LH   |
| 7       | 873 80 05-00 | Nut Lock Hx W/Insert 5/16-18 unc | 123     | 532 19 25-76 | Rod, Brake, RH   |
| 8       | 532 19 30-03 | Bolt/Washer Asm. 7/16-20 unf     | 129     | 819 13 13-12 | Washer 13/32 x 13/16 x 12 Ga.  |
| 11      | 532 19 39-57 | Blade, Mower                     | 130     | 874 78 06-16 | Bolt Fin Hex 3/8-16 unc x 1 Gr. 5  |
| 13      | 532 19 28-72 | Shaft Assembly, Mandrel          | 131     | 872 14 06-08 | Bolt RdHd Sqnk 3/8-16 unc x 1  |
| 14      | 532 18 72-81 | Housing, Mandrel, Vented         | 144     | 532 19 34-14 | Keeper Idler Tension   |
| 15      | 532 11 04-85 | Bearing, Ball, Mandrel           | 148     | 532 16 90-22 | Spring Return Idler  |
| 18      | 872 14 05-05 | Bolt Rdhd Sqnk 5/16-18 x 5/8     | 149     | 532 16 58-98 | Retainer Spring Yellow Zinc  |
| 19      | 532 13 28-27 | Bolt, Shoulder                   | 150     | 819 09 12-10 | Washer 9/32 x 3/4 x 10 Ga.   |
| 20      | 532 40 00-95 | Baffle Vortex Front              | 152     | 532 19 32-35 | Cable Clutch   |
| 21      | 873 68 05-00 | Nut Crownlock 5/16-18            | 158     | 817 72 04-08 | Screw Hex Thd Cut 1/4-20 x 1/2   |
| 23      | 532 19 25-57 | Bracket, Mower Deflector         | 185     | 532 18 82-34 | Head Asm Cable Clutch  |
| 24      | 532 10 53-04 | Cap, Sleeve                      | 186     | 817 49 06-44 | Screw Hxwsh Thdr 3/8-16 x 2-3/4  |
| 25      | 532 19 70-26 | Spring, Torsion, Deflector       | 187     | 532 19 34-12 | Keeper Belt Front  |
| 26      | 532 11 04-52 | Nut, Push                        | 188     | 532 16 58-91 | Bolt Carriage Idler  |
| 27      | 532 40 16-18 | Shield, Deflector                | 189     | 532 19 25-59 | Brake Stand 38"  |
| 29      | 532 13 14-91 | Rod, Hinge                       | 190     | 532 19 25-60 | Brake Asm.   |
| 30      | 532 17 39-84 | Screw Thdrol                     | 191     | 532 19 25-61 | Brake Spacer   |
| 31      | 532 18 76-90 | Washer, Spacer                   | 193     | 532 19 34-13 | Keeper Belt RH Mandrel   |
| 32      | 532 15 35-32 | Pulley, Mandrel                  | 194     | 532 19 41-05 | Brake Guard  |
| 33      | 532 40 02-34 | Nut, Toplock, Flanged            | 195     | 819 13 32-10 | Washer 13/32 x 2 x 10 Ga.  |
| 36      | 532 13 14-94 | Pulley, Idler, Flat              | 196     | 532 19 37-82 | Bolt/Washer asm 5/16-18  |
| 37      | 532 19 31-98 | Pulley Idler Flat                | 199     | 532 40 02-80 | Guard Asm Fabric LH  |
| 40      | 873 68 06-00 | Nut Crownlock 3/8-16             | 200     | 532 40 02-81 | Guard Asm Fabric RH  |
| 45      | 532 12 47-88 | Retainer, Spring                 | 201     | 532 40 12-20 | Push Nut Round 3/8 Diam.   |
| 46      | 532 13 77-29 | Screw Thd Roll 1/4-20 x 5/8      | 202     | 872 11 06-08 | Bolt RDH SQNK 3/8-16 x 1 Gr.5  |
| 55      | 532 13 38-40 | Idler Arm Assembly               | 203     | 532 19 72-62 | Bolt Shoulder  |
| 56      | 532 16 57-23 | Spacer, Retainer                 | 205     | 817 49 04-16 | Screw 1/4-20 x 1.00 77   |
| 67      | 532 10 69-32 | Knob RD 3/8-16 Plstc Thd         | 206     | 819 09 14-16 | Washer 9/32 x 7/8 x 16 Ga.   |
| 68      | 532 19 32-14 | Belt                             | --      | 532 19 25-58 | Brake Asm.   |
| 72      | 532 19 32-16 | Spring Brake Retainer            | --      | 532 19 28-70 | Mandrel Assembly (Includes Housing, Shaft and Shaft Hardware Only - Pulley Not Included) |
| 89      | 819 13 13-11 | Washer 13/32 x 13/16 x 11 Ga.    | --      | 532 19 36-46 | Replacement Mower, Complete  |
| 92      | 873 80 06-00 | Nut Lock Hex w/Ins. 3/8-16 unc   |         |              |  |
| 101     | 532 19 25-73 | Cover Mulching                   |         |              |  |
| 102     | 871 08 10-10 | Screw Pan HD Phillip 10-24 x 5/8 |         |              |  |
| 103     | 819 06 12-16 | Washer #10                       |         |              |  |

**NOTE:** All component dimensions given in U.S. inches  
1 inch = 25.4 mm

# SERVICE NOTES

---

# SERVICE NOTES

---

