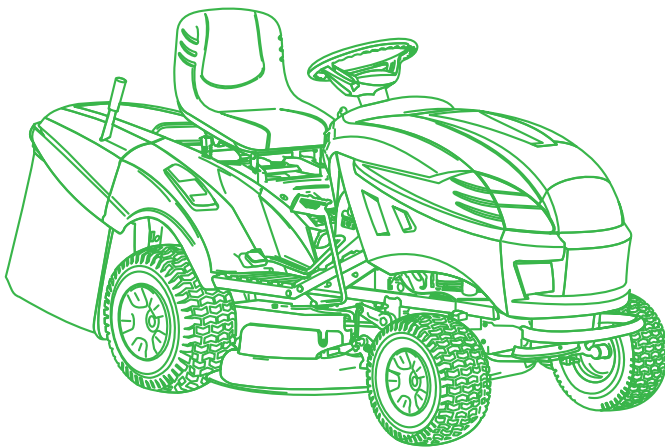


ILLUSTRATED PARTS LIST

NJR 102



- Use GLOBAL GARDEN PRODUCT Genuine Spare Parts specified in the parts list for repair and/or replacement.
- The contents described in the parts list may change due to improvement.
- The drawings of the spare parts are only indicative and might not represent the part in question exactly.
- The indications "right" - "left" - "front" - "rear" refer to the position of the operator when using the machine.
- When placing orders of parts for repair and/or replacement, make sure that the illustrated parts list is the one applying to the machine's year of manufacture, as shown on the identification plate attached to the machine.

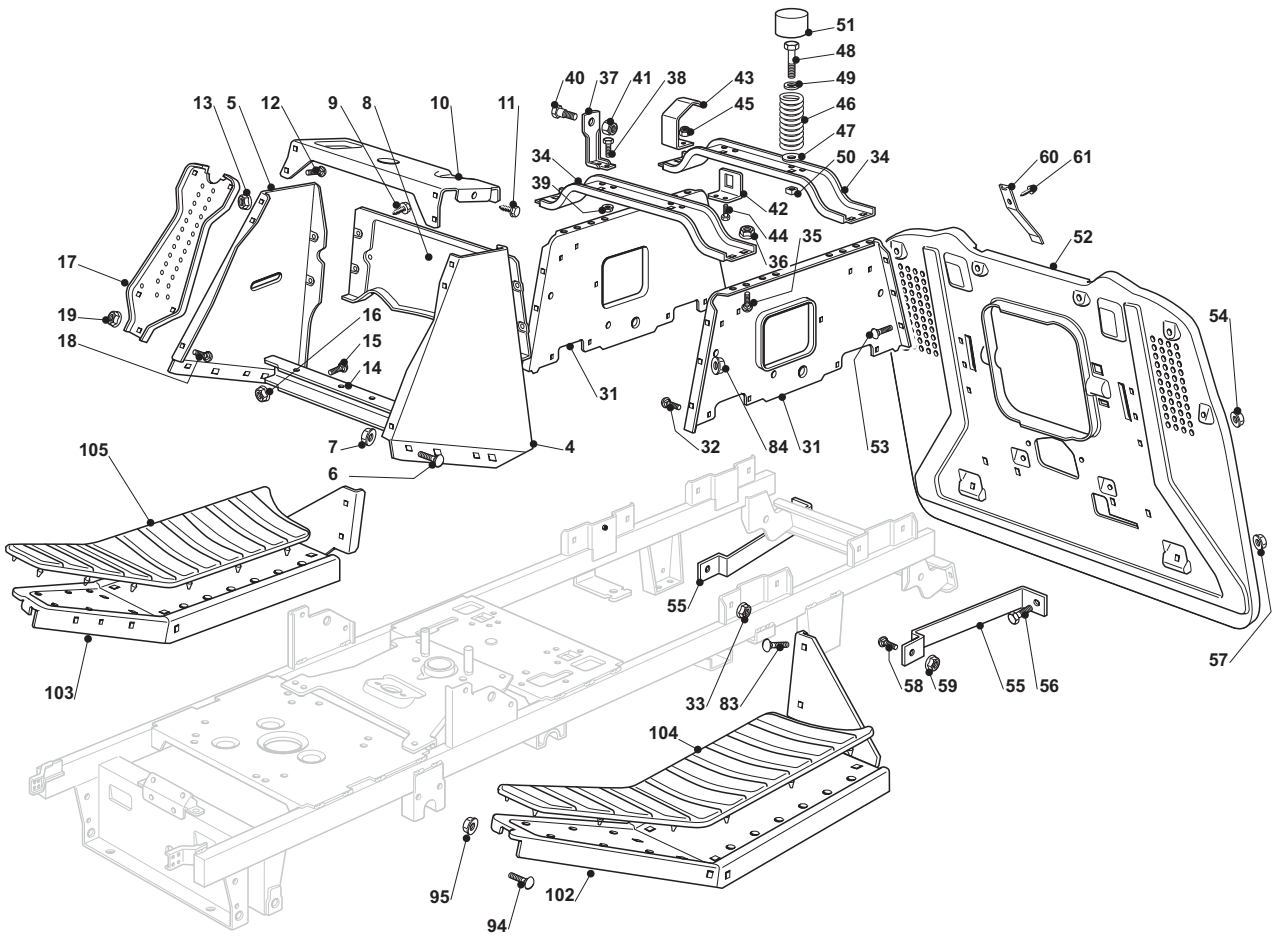
© Copyright 2012 Global Garden Products

All content is subject to copyright by Global Garden Products and may not be reproduced in whole or in part by any means, electronic or otherwise, without prior written approval.

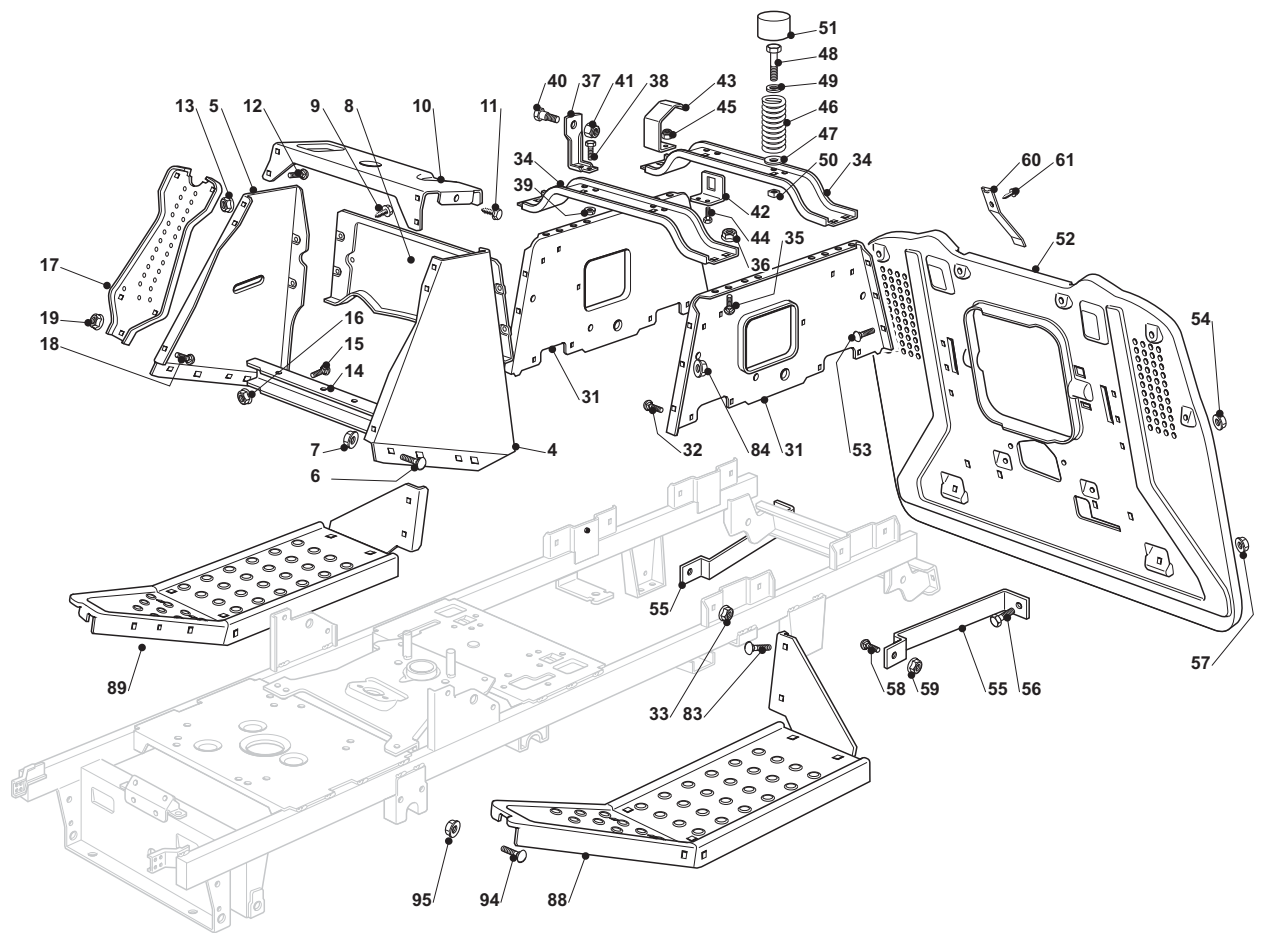
THIS INFORMATION IS NOT INTENDED FOR SALE OR RESALE, AND THIS NOTICE MUST REMAIN ON ALL COPIES.



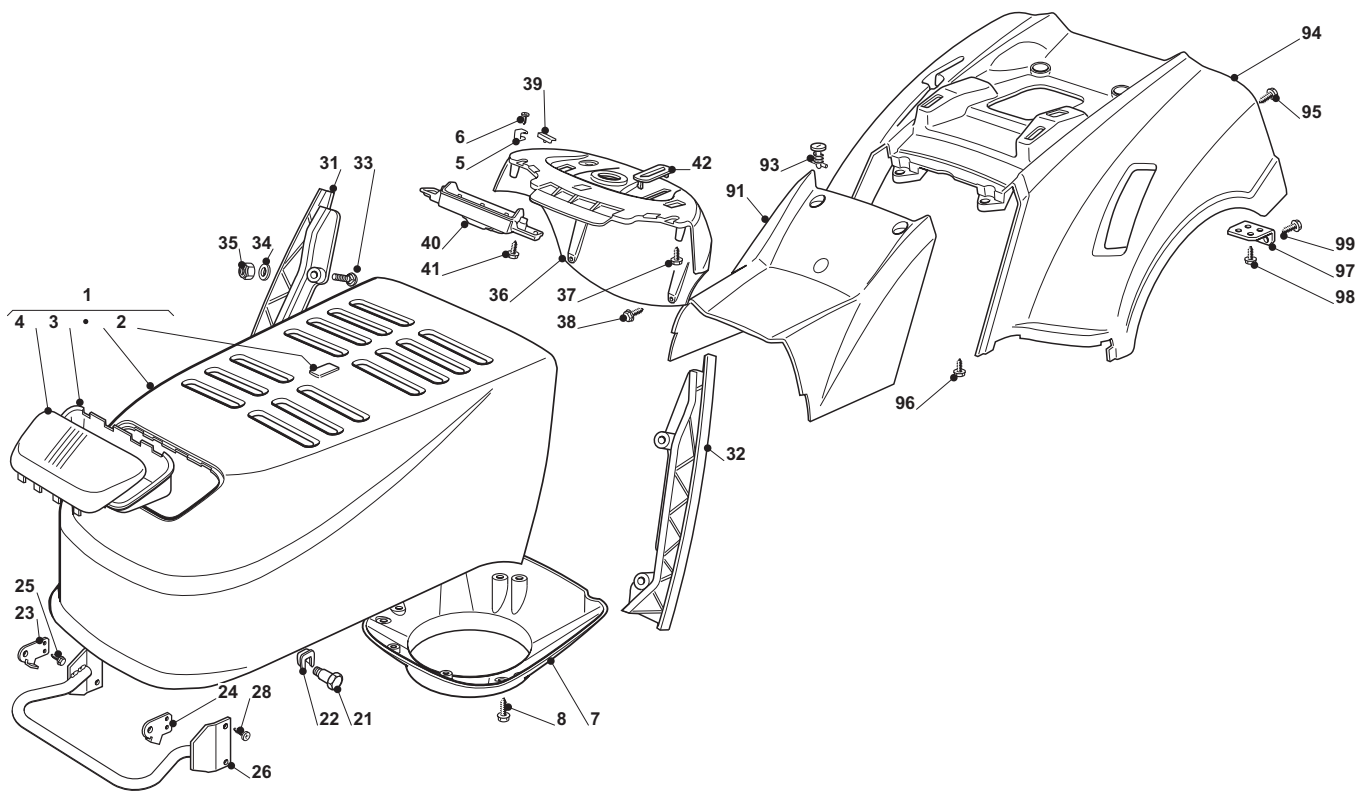
GLOBAL GARDEN PRODUCTS



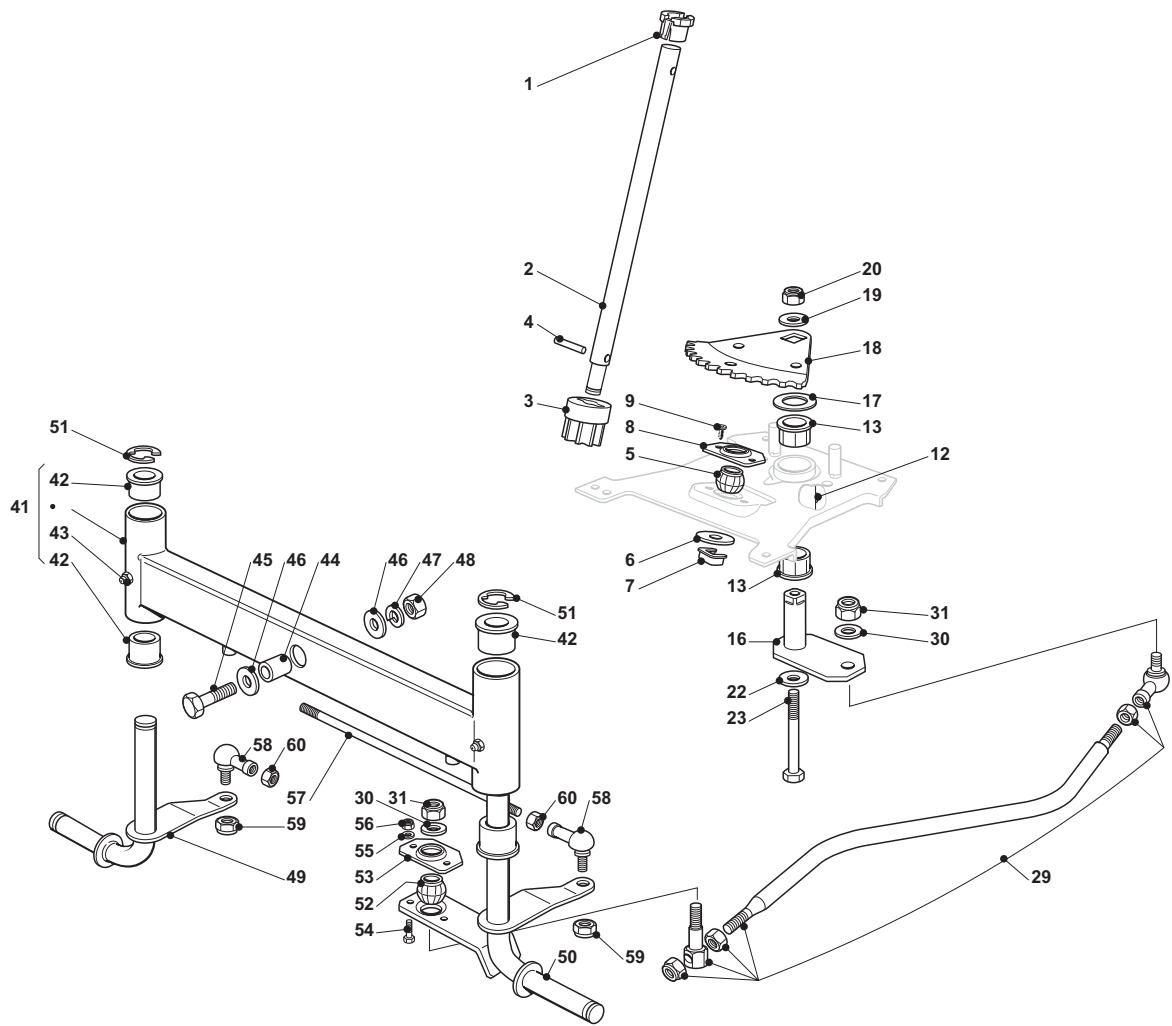
| Chassis | | | | | | | |
|---------|-------------|------|----------------------------|-------------------------|---------------------------|------------------------|-------|
| POS | CODE | Q.TY | DESCRIZIONE | DESCRIPTION | DESCRIPTION | BESCHREIBUNG | NOTES |
| 4 | 325785243/1 | 1 | Supp. Cruscotto Sin. | Left Dashboard Supp. | Support Tableau Gauche | Linker Konsolehalter | |
| 5 | 25785245/0 | 1 | Supp. Cruscotto Destro | Right Dashboard Supp. | Support Tableau Droite | Rechter Konsolehalter | |
| 6 | 12818690/0 | 4 | Vite | Screw | Vis | Schraube | |
| 7 | 12293201/0 | 4 | Dado | Nut | Ecrou | Mutter | |
| 8 | 382785151/1 | 1 | Supp. Cruscotto Posteriore | Rear Dashboard Supp | Support Tableau Arriere | Konsole Hinterrad | |
| 9 | 12735110/0 | 4 | Vite | Screw | Vis | Schraube | |
| 10 | 25785255/0 | 1 | Supp. Cruscotto Centr. | Central Dashboard Supp | Support Tableau Centr. | Zentr. Konsole Halter | |
| 11 | 12735110/0 | 2 | Vite | Screw | Vis | Schraube | |
| 12 | 12815200/0 | 4 | Vite | Screw | Vis | Schraube | |
| 13 | 12292102/0 | 4 | Dado | Nut | Ecrou | Mutter | |
| 14 | 25785241/0 | 1 | Supporto | Support | Support | Halter | |
| 15 | 12815200/0 | 2 | Vite | Screw | Vis | Schraube | |
| 16 | 12292102/0 | 2 | Dado | Nut | Ecrou | Mutter | |
| 17 | 382785153/1 | 2 | Supp. Cruscotto Anteriore | Front Dashboard Supp | Support Tableau Avant | Konsole Vorderrad | |
| 18 | 12815200/0 | 2 | Vite | Screw | Vis | Schraube | |
| 19 | 12292102/0 | 2 | Dado | Nut | Ecrou | Mutter | |
| 31 | 325785249/1 | 2 | Supporto Sedile | Seat Support | Support Siege | Sitzhalter | |
| 32 | 12815200/0 | 8 | Vite | Screw | Vis | Schraube | |
| 33 | 12292102/0 | 8 | Dado | Nut | Ecrou | Mutter | |
| 34 | 325785257/1 | 2 | Supporto Sedile | Seat Support | Support Siege | Sitzhalter | |
| 35 | 12818690/0 | 8 | Vite | Screw | Vis | Schraube | |
| 36 | 12293201/0 | 8 | Dado | Nut | Ecrou | Mutter | |
| 37 | 25755039/0 | 2 | Squadretta | Bracket | Equerre-Support | Winkel | |
| 38 | 12792611/0 | 4 | Vite | Screw | Vis | Schraube | |
| 39 | 12293201/0 | 4 | Dado | Nut | Ecrou | Mutter | |
| 40 | 22524970/2 | 2 | Perno | Pin | Pivot | Bolzen | |
| 41 | 12155010/0 | 2 | Dado | Nut | Ecrou | Mutter | |
| 42 | 25755043/0 | 1 | Squadretta | Bracket | Equerre-Support | Winkel | |
| 43 | 25430253/0 | 1 | Molla | Spring | Ressort | Feder | |
| 44 | 12789000/0 | 2 | Vite | Screw | Vis | Schraube | |
| 45 | 12154330/0 | 2 | Dado | Nut | Ecrou | Mutter | |
| 46 | 125430257/1 | 2 | Molla | Spring | Ressort | Feder | |
| 47 | 12523070/0 | 2 | Rondella | Washer | Rondelle | Scheibe | |
| 48 | 12760515/0 | 2 | Vite | Screw | Vis | Schraube | |
| 49 | 22671653/0 | 2 | Rosetta | Washer | Rondelle | Scheibe | |
| 50 | 12360425/0 | 2 | Dado | Nut | Ecrou | Mutter | |
| 51 | 25122000/2 | 2 | Cuffia | Hood | Protecteur | Schutzkasten | |
| 52 | 382547041/1 | 1 | Piastra | Plate | Plaque | Platte | |
| 53 | 12792611/0 | 6 | Vite | Screw | Vis | Schraube | |
| 54 | 12293201/0 | 6 | Dado | Nut | Ecrou | Mutter | |
| 55 | 25650119/0 | 2 | Rinforzo | Plate Stiffening | Renforcement Plaque | Platteverstaerkug | |
| 56 | 12792611/0 | 2 | Vite | Screw | Vis | Schraube | |
| 57 | 12293201/0 | 2 | Dado | Nut | Ecrou | Mutter | |
| 58 | 12818690/0 | 2 | Vite | Screw | Vis | Schraube | |
| 59 | 12293201/0 | 2 | Dado | Nut | Ecrou | Mutter | |
| 60 | 27430554/0 | 1 | Molla | Spring | Ressort | Feder | |
| 61 | 12735110/0 | 1 | Vite | Screw | Vis | Schraube | |
| 83 | 12792611/0 | 4 | Vite | Screw | Vis | Schraube | |
| 84 | 12293201/0 | 4 | Dado | Nut | Ecrou | Mutter | |
| 94 | 12815200/0 | 4 | Vite | Screw | Vis | Schraube | |
| 95 | 12292102/0 | 4 | Dado | Nut | Ecrou | Mutter | |
| 102 | 382510083/0 | 1 | Supporto Pedana Sinistro | Left Footboard Support | Support Marchepied Gauche | Linke Fussbretthalter | |
| 103 | 382510081/0 | 1 | Supporto Pedana Destro | Right Footboard Support | Support Marchepied Droite | Rechte Fussbretthalter | |
| 104 | 25110327/0 | 1 | Copripedana Sinistra | Left Footboard Cover | Couvre Marchepied Gau. | Linke Fussbrettdeckel | |
| 105 | 25110326/0 | 1 | Copripedana Destra | Right Footboard Cover | Couvre Marchepied Dro. | Rechte Fussbrettdeckel | |



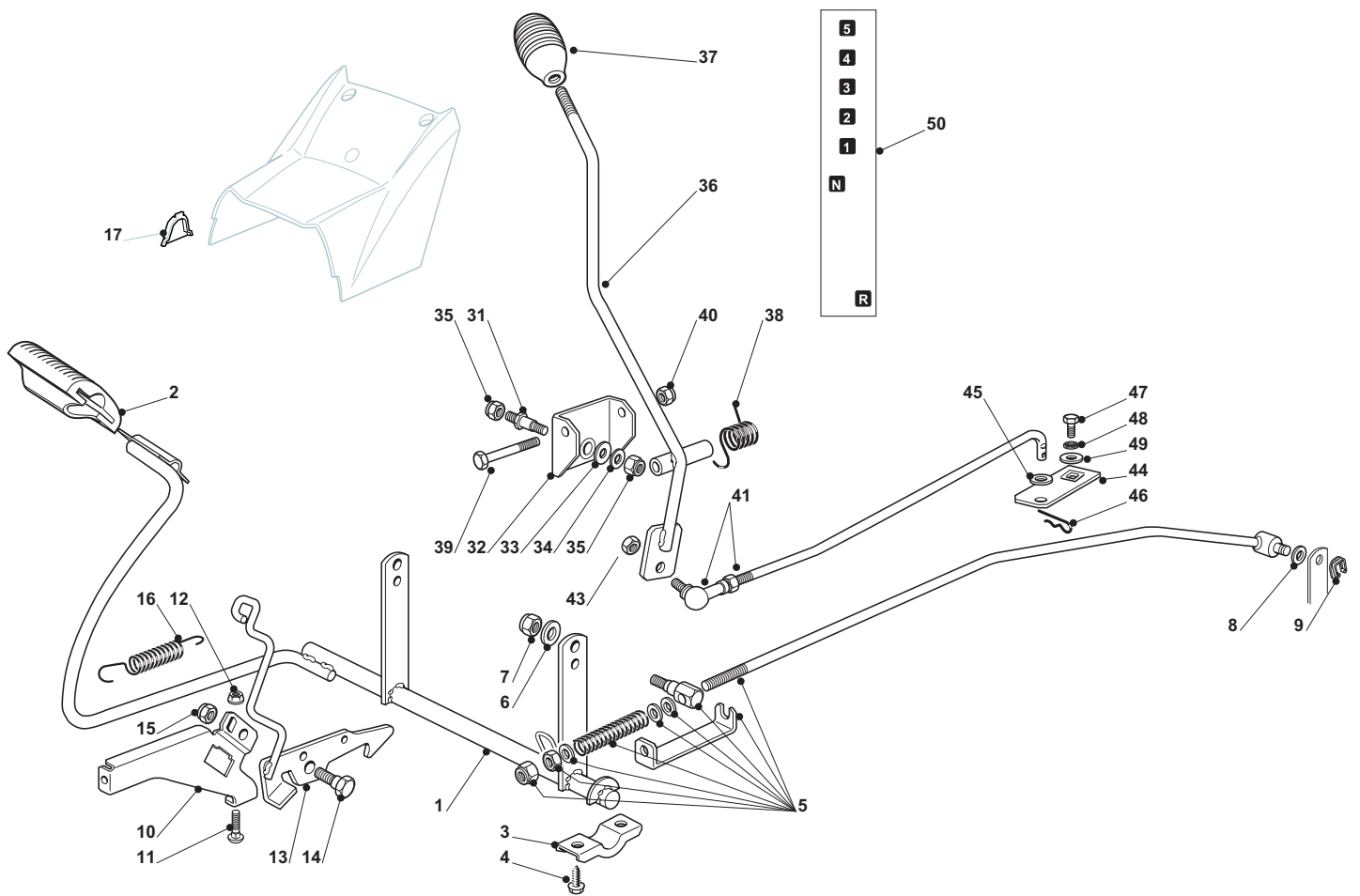
| Chassis | | | | | | | |
|---------|-------------|------|----------------------------|-------------------------|----------------------------|------------------------|-------|
| POS | CODE | Q.TY | DESCRIZIONE | DESCRIPTION | DESCRIPTION | BESCHREIBUNG | NOTES |
| 4 | 325785243/1 | 1 | Supp. Cruscotto Sin. | Left Dashboard Supp. | Support Tableau Gauche | Linker Konsolehalter | |
| 5 | 25785245/0 | 1 | Supp. Cruscotto Destro | Right Dashboard Supp. | Support Tableau Droite | Rechter Konsolehalter | |
| 6 | 12818690/0 | 4 | Vite | Screw | Vis | Schraube | |
| 7 | 12293201/0 | 4 | Dado | Nut | Ecrou | Mutter | |
| 8 | 382785151/1 | 1 | Supp. Cruscotto Posteriore | Rear Dashboard Supp | Support Tableau Arriere | Konsole Hinterrad | |
| 9 | 12735110/0 | 4 | Vite | Screw | Vis | Schraube | |
| 10 | 25785255/0 | 1 | Supp. Cruscotto Centr. | Central Dashboard Supp | Support Tableau Centr. | Zentr. Konsole Halter | |
| 11 | 12735110/0 | 2 | Vite | Screw | Vis | Schraube | |
| 12 | 12815200/0 | 4 | Vite | Screw | Vis | Schraube | |
| 13 | 12292102/0 | 4 | Dado | Nut | Ecrou | Mutter | |
| 14 | 25785241/0 | 1 | Supporto | Support | Support | Halter | |
| 15 | 12815200/0 | 2 | Vite | Screw | Vis | Schraube | |
| 16 | 12292102/0 | 2 | Dado | Nut | Ecrou | Mutter | |
| 17 | 382785153/1 | 2 | Supp. Cruscotto Anteriore | Front Dashboard Supp | Support Tableau Avant | Konsole Vorderrad | |
| 18 | 12815200/0 | 2 | Vite | Screw | Vis | Schraube | |
| 19 | 12292102/0 | 2 | Dado | Nut | Ecrou | Mutter | |
| 31 | 325785249/1 | 2 | Supporto Sedile | Seat Support | Support Siege | Sitzhalter | |
| 32 | 12815200/0 | 8 | Vite | Screw | Vis | Schraube | |
| 33 | 12292102/0 | 8 | Dado | Nut | Ecrou | Mutter | |
| 34 | 325785257/1 | 2 | Supporto Sedile | Seat Support | Support Siege | Sitzhalter | |
| 35 | 12818690/0 | 8 | Vite | Screw | Vis | Schraube | |
| 36 | 12293201/0 | 8 | Dado | Nut | Ecrou | Mutter | |
| 37 | 25755039/0 | 2 | Squadretta | Bracket | Equerre-Support | Winkel | |
| 38 | 12792611/0 | 4 | Vite | Screw | Vis | Schraube | |
| 39 | 12293201/0 | 4 | Dado | Nut | Ecrou | Mutter | |
| 40 | 22524970/2 | 2 | Perno | Pin | Pivot | Bolzen | |
| 41 | 12155010/0 | 2 | Dado | Nut | Ecrou | Mutter | |
| 42 | 25755043/0 | 1 | Squadretta | Bracket | Equerre-Support | Winkel | |
| 43 | 25430253/0 | 1 | Molla | Spring | Ressort | Feder | |
| 44 | 12789000/0 | 2 | Vite | Screw | Vis | Schraube | |
| 45 | 12154330/0 | 2 | Dado | Nut | Ecrou | Mutter | |
| 46 | 125430257/1 | 2 | Molla | Spring | Ressort | Feder | |
| 47 | 12523070/0 | 2 | Rondella | Washer | Rondelle | Scheibe | |
| 48 | 12760515/0 | 2 | Vite | Screw | Vis | Schraube | |
| 49 | 22671653/0 | 2 | Rosetta | Washer | Rondelle | Scheibe | |
| 50 | 12360425/0 | 2 | Dado | Nut | Ecrou | Mutter | |
| 51 | 25122000/2 | 2 | Cuffia | Hood | Protecteur | Schutzkasten | |
| 52 | 382547041/1 | 1 | Piastra | Plate | Plaque | Platte | |
| 53 | 12792611/0 | 6 | Vite | Screw | Vis | Schraube | |
| 54 | 12293201/0 | 6 | Dado | Nut | Ecrou | Mutter | |
| 55 | 25650119/0 | 2 | Rinforzo | Plate Stiffening | Renforcement Plaque | Platteverstaerkug | |
| 56 | 12792611/0 | 2 | Vite | Screw | Vis | Schraube | |
| 57 | 12293201/0 | 2 | Dado | Nut | Ecrou | Mutter | |
| 58 | 12818690/0 | 2 | Vite | Screw | Vis | Schraube | |
| 59 | 12293201/0 | 2 | Dado | Nut | Ecrou | Mutter | |
| 60 | 27430554/0 | 1 | Molla | Spring | Ressort | Feder | |
| 61 | 12735110/0 | 1 | Vite | Screw | Vis | Schraube | |
| 83 | 12792611/0 | 4 | Vite | Screw | Vis | Schraube | |
| 84 | 12293201/0 | 4 | Dado | Nut | Ecrou | Mutter | |
| 88 | 382510079/0 | 1 | Supporto Pedana Sinistro | Left Footboard Support | Support Marche pied Gauche | Linke Fussbretthalter | |
| 89 | 382510077/0 | 1 | Supporto Pedana Destro | Right Footboard Support | Support Marche pied Droite | Rechte Fussbretthalter | |
| 94 | 12815200/0 | 4 | Vite | Screw | Vis | Schraube | |
| 95 | 12292102/0 | 4 | Dado | Nut | Ecrou | Mutter | |



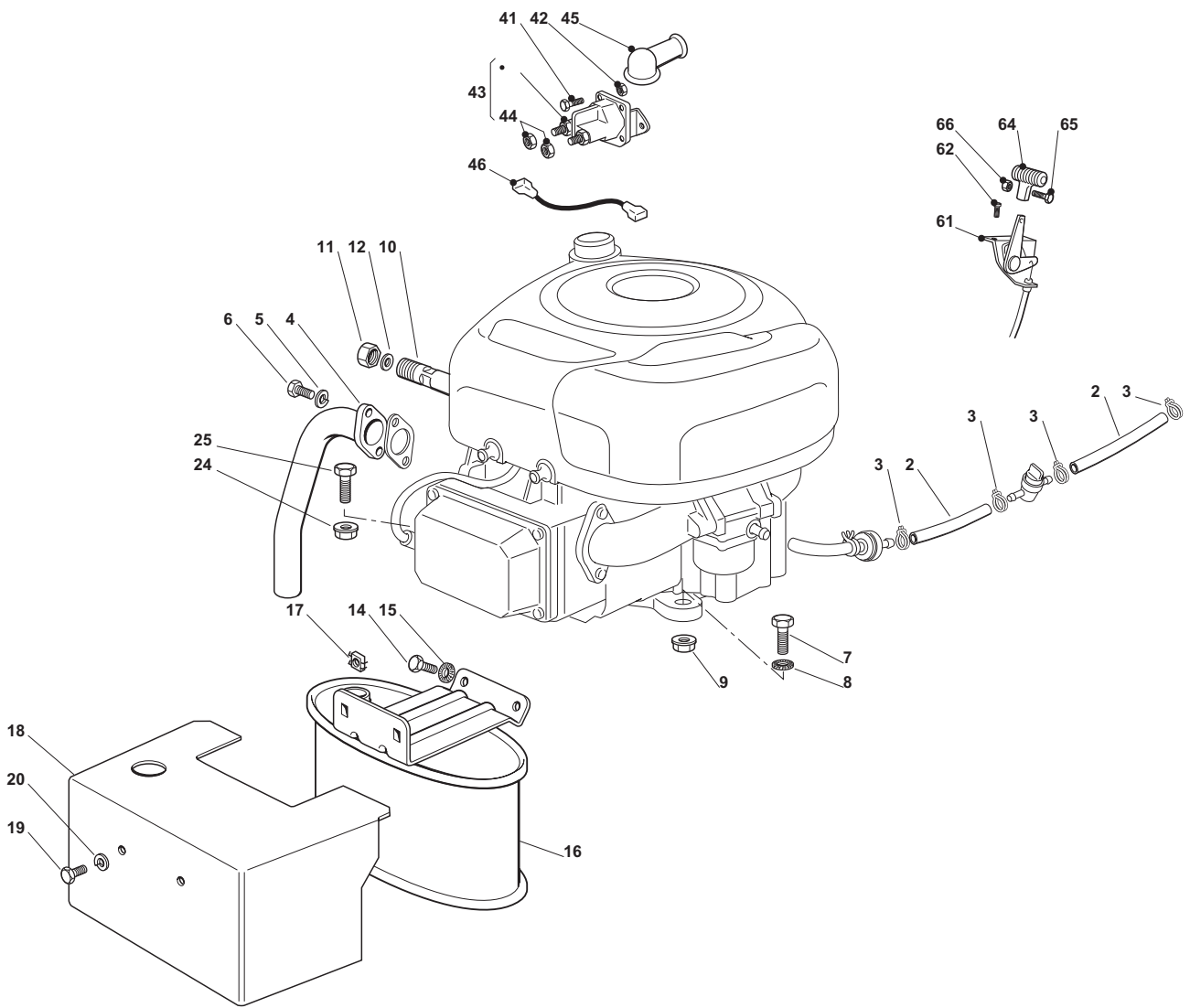
| Body | | | | | | | In parts list notes identify as model NJR |
|------|-------------|------|----------------------------|-----------------------|------------------------|-----------------------|---|
| POS | CODE | Q.TY | DESCRIZIONE | DESCRIPTION | DESCRIPTION | BESCHREIBUNG | NOTES |
| 1 | 82076817/2 | 1 | Cofano Rosso | Engine Hood Red | Capot Rouge | Haubesatz Rot | |
| 1 | 82076832/0 | 1 | Cofano Giallo | Engine Hood Yellow | Capot Jaune | Haubesatz Gelb | |
| 1 | 382076952/0 | 1 | Cofano Nero | Engine Hood Black | Capot Noir | Haubesatz Schwarz | |
| 2 | 25547104/0 | 1 | Piastrina Gialla | Plate Red | Plaque Rouge | Platte Rot | |
| 2 | 325076897/0 | 1 | Piastrina Nera | Plate Black | Plaque Noir | Platte Schwarz | |
| 2 | 25547016/2 | 1 | Piastrina Rossa | Plate Red | Plaque Rouge | Platte Rot | |
| 3 | 25485001/0 | 1 | Parabola Fari | Lights Parabola | Parabole | Scheinwerferparabel | |
| 4 | 25410865/0 | 1 | Mascherina | Grill | Panneau | Schutz | |
| 5 | 125430215/1 | 2 | Molla Aggancio | Coupling Spring | Ressort Accrochage | Kupplungsfeder | |
| 6 | 12728450/0 | 2 | Vite | Screw | Vis | Schraube | |
| 7 | 25108028/0 | 1 | Convogliatore | Conveyor | Convoyeur | Konveyor | for models with engine GGP, B&S |
| 8 | 12728686/0 | 3 | Vite | Screw | Vis | Schraube | |
| 21 | 25510039/0 | 2 | Perno | Pin | Pivot | Bolzen | |
| 22 | 12436050/0 | 2 | Piastrina | Plate | Plaque | Platte | |
| 23 | 325547089/1 | 1 | Piastrina Destra | Right Plate | Plaque Droite | Rechte Platte | |
| 24 | 325547091/1 | 1 | Piastrina Sinistra | Left Plate | Plaque Gauche | Linke Platte | |
| 25 | 12731580/0 | 4 | Vite | Screw | Vis | Schraube | |
| 26 | 82869031/0 | 1 | Protezione Silenziatore | Muffler Protection | Protection Silencieux | Auspuffschutz | |
| 28 | 12734995/0 | 4 | Vite | Screw | Vis | Schraube | |
| 31 | 25599008/0 | 1 | Supp. Cruschetto Destro | Right Dashboard Supp. | Support Tableau Droite | Rechter Konsolehalter | |
| 32 | 25599009/0 | 1 | Supp. Cruschetto Sin. | Left Dashboard Supp. | Support Tableau Gauche | Linker Konsolehalter | |
| 33 | 12815221/0 | 4 | Vite | Screw | Vis | Schraube | |
| 34 | 12521330/0 | 4 | Rosetta | Washer | Rondelle | Scheibe | |
| 35 | 12154510/0 | 4 | Dado | Nut | Ecrou | Mutter | |
| 36 | 25120189/0 | 1 | Cruscotto | Dashboard | Tableau De Bord | Konsole | |
| 37 | 12728440/0 | 2 | Vite | Screw | Vis | Schraube | |
| 38 | 12735402/0 | 2 | Vite | Screw | Vis | Schraube | |
| 39 | 25260000/0 | 2 | Gommino | Grommet | Protection | Schutz | |
| 40 | 25600074/0 | 1 | Protezione Scheda | Card Protection | Protection De Carte | Karteschutz | |
| 41 | 12735402/0 | 2 | Vite | Screw | Vis | Schraube | |
| 42 | 25547181/0 | 1 | Piastrina | Plate | Plaque | Platte | |
| 91 | 325110365/0 | 1 | Copertura Centrale, Giallo | Cover, Yellow | Couvre, Jaune | Kappe, Gelb | |
| 91 | 325110393/0 | 1 | Copertura Centrale, Nero | Cover, Black | Couvre, Noir | Kappe, Schwarz | |
| 91 | 325110363/0 | 1 | Copertura Centrale, Rosso | Cover, Red | Couvre, Rouge | Kappe, Rot | |
| 93 | 25580020/0 | 2 | Perno | Pivot | Goujon | Stift | |
| 94 | 25110323/0 | 1 | Copertura Ruote, Giallo | Wheels Cover, Yellow | Couvre-Roues, Jaune | Radenkappe, Gelb | |
| 94 | 325110392/0 | 1 | Copertura Ruote, Nero | Wheels Cover, Black | Couvre-Roues, Noir | Radenkappe, Schwarz | |
| 94 | 25110322/0 | 1 | Copertura Ruote, Rosso | Wheels Cover, Red | Couvre-Roues, Rouge | Radenkappe, Rot | |
| 95 | 12735402/0 | 4 | Vite | Screw | Vis | Schraube | |
| 96 | 12735402/0 | 2 | Vite | Screw | Vis | Schraube | |
| 97 | 25755041/0 | 2 | Squadretta | Bracket | Equerre-Support | Winkel | |
| 98 | 12728686/0 | 4 | Vite | Screw | Vis | Schraube | |
| 99 | 12735110/0 | 2 | Vite | Screw | Vis | Schraube | |



| Steering | | | | | | | |
|----------|-------------|------|--|------------------------------------|-------------------------------------|-------------------------------------|-------|
| POS | CODE | Q.TY | DESCRIZIONE | DESCRIPTION | DESCRIPTION | BESCHREIBUNG | NOTES |
| 1 | 25038004/0 | 1 | Boccola | Bush | Douille | Büchse | |
| 2 | 125520006/1 | 1 | Piantone | Steering Column | Tube De Direction | Lenkungsaeule | |
| 3 | 27570050/0 | 1 | Pignone | Pinion | Pignon | Ritzel | |
| 4 | 12622650/0 | 1 | Spina | Pin | Goupille | Stift | |
| 5 | 25743000/0 | 1 | Snodo | Joint | Joint | Gelenk | |
| 6 | 12521370/0 | 1 | Rondella | Washer | Rondelle | Scheibe | |
| 7 | 12436030/0 | 1 | Piastrina | Plate | Plaquette | Plattechen | |
| 8 | 325785213/1 | 1 | Supporto | Support | Support | Halter | |
| 9 | 12729601/1 | 2 | Vite | Screw | Vis | Schraube | |
| 12 | 12379511/0 | 1 | Ingrassatore | Grease Dispenser | Graisseur | Fettbüchse | |
| 13 | 25040624/0 | 2 | Bussola | Bush | Douille | Büchse | |
| 16 | 382318249/0 | 1 | Leva | Lever | Levier | Hebel | |
| 17 | 25670019/0 | 1 | Rosetta | Washer | Rondelle | Scheibe | |
| 18 | 25735513/0 | 1 | Settore | Steering Shaft | Arbre Direction | Lenkungswelle | |
| 19 | 12523080/0 | 1 | Rosetta | Washer | Rondelle | Scheibe | |
| 20 | 12155020/0 | 1 | Dado | Nut | Ecrou | Mutter | |
| 22 | 125670027/0 | 1 | Rosetta | Washer | Rondelle | Scheibe | |
| 23 | 112794950/0 | 1 | Vite | Screw | Vis | Schraube | |
| 29 | 382000610/0 | 1 | Asta Com. Sterzo | Steering Rod | Levier Barre De Direction | Lenkungsstab | |
| 30 | 12523070/0 | 2 | Rondella | Washer | Rondelle | Scheibe | |
| 31 | 12155010/0 | 2 | Dado | Nut | Ecrou | Mutter | |
| 41 | 382034036/0 | 1 | Bilanciere Con Boccola Ed Ingrassatore | Equalizer With Bush And Lubricator | Balancier Avec Douille Et Graisseur | Kipphebel Mit Büchse Und Fettbüchse | |
| 42 | 25034002/1 | 4 | Boccola | Bush | Douille | Büchse | |
| 43 | 12379511/0 | 2 | Ingrassatore | Grease Dispenser | Graisseur | Fettbüchse | |
| 44 | 25160016/0 | 1 | Distanziale | Spacer | Entretoise | Entfernungsstück | |
| 45 | 12692695/0 | 1 | Vite | Screw | Vis | Schraube | |
| 46 | 12523100/0 | 2 | Rondella | Washer | Rondelle | Scheibe | |
| 47 | 12587100/0 | 1 | Grower | Grower | Grower | Grower | |
| 48 | 12295300/0 | 1 | Dado | Nut | Ecrou | Mutter | |
| 49 | 382230377/0 | 1 | Fusello Destro | Right Stub Axle | Fuseau Droite | Rechter Achsschenkel | |
| 50 | 382230379/0 | 1 | Fusello Sinistro | Left Stub Axle | Fuseau Gauche | Linker Achsschenkel | |
| 51 | 12001000/0 | 2 | Anello Elastico | Snap Ring | Anneau Ressort | Sprengring | |
| 52 | 25743000/0 | 1 | Snodo | Joint | Joint | Gelenk | |
| 53 | 325785213/1 | 1 | Supporto | Support | Support | Halter | |
| 54 | 12791213/1 | 2 | Vite | Screw | Vis | Schraube | |
| 55 | 12521330/0 | 2 | Rosetta | Washer | Rondelle | Scheibe | |
| 56 | 12154510/0 | 2 | Dado | Nut | Ecrou | Mutter | |
| 57 | 125840023/0 | 1 | Tirante Colleg. Fuselli | Tie Rod | Tirant | Spannstange | |
| 58 | 122746609/0 | 2 | Snodo | Joint | Joint | Gelenk | |
| 59 | 12156602/0 | 2 | Dado | Nut | Ecrou | Mutter | |
| 60 | 112295201/0 | 2 | Dado | Nut | Ecrou | Mutter | |

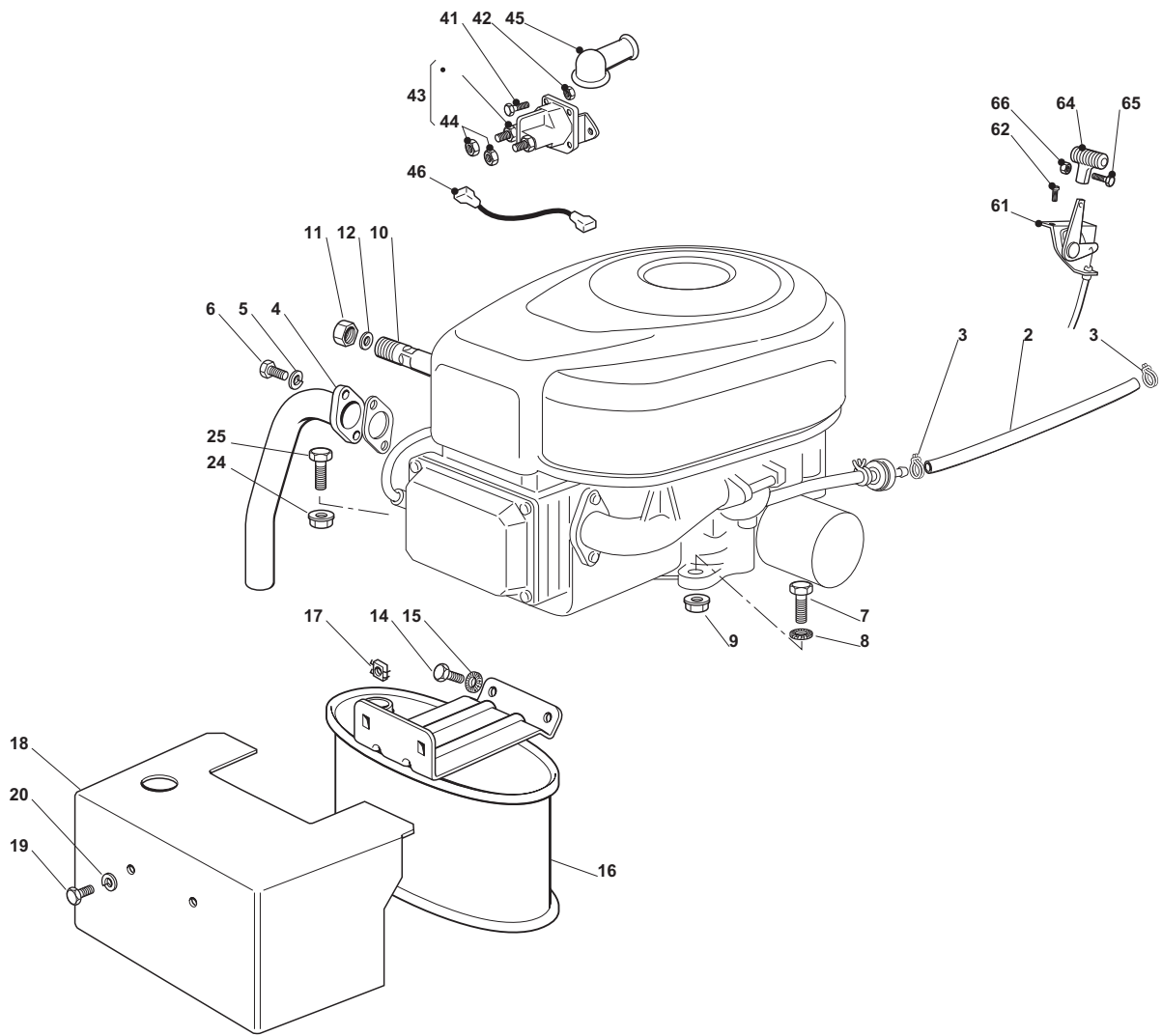


| Brake And Gearbox Controls | | | | | | | |
|----------------------------|-------------|------|-------------------|---------------|---------------|----------------|-------|
| POS | CODE | Q.TY | DESCRIZIONE | DESCRIPTION | DESCRIPTION | BESCHREIBUNG | NOTES |
| 1 | 382500035/0 | 1 | Pedale | Pedal | Pedal | Pedal | |
| 2 | 25110269/0 | 1 | Copristaffa | Clamp Cover | Couvre Etrier | Bridedeckel | |
| 3 | 27546015/1 | 2 | Piastrina | Plate | Plaque | Platte | |
| 4 | 12729601/1 | 4 | Vite | Screw | Vis | Schraube | |
| 5 | 382000541/1 | 1 | Asta | Rod | Barre | Stange | |
| 6 | 12523040/0 | 1 | Rosetta | Washer | Rondelle | Scheibe | |
| 7 | 12154510/0 | 1 | Dado | Nut | Ecrou | Mutter | |
| 8 | 12521350/0 | 1 | Rondella | Washer | Rondelle | Scheibe | |
| 9 | 12436050/0 | 1 | Piastrina | Plate | Plaque | Platte | |
| 10 | 25785261/0 | 1 | Supporto | Support | Support | Halter | |
| 11 | 12815200/0 | 2 | Vite | Screw | Vis | Schraube | |
| 12 | 12292102/0 | 2 | Dado | Nut | Ecrou | Mutter | |
| 13 | 82000531/0 | 1 | Asta | Rod | Barre | Stange | |
| 14 | 22524970/2 | 1 | Perno | Pin | Pivot | Bolzen | |
| 15 | 12155000/0 | 1 | Dado | Nut | Ecrou | Mutter | |
| 16 | 25430213/0 | 1 | Molla | Spring | Ressort | Feder | |
| 17 | 25207172/0 | 1 | Piastrina (Mecc.) | Plate (Mech.) | Plaque (Mec.) | Platte (Mech.) | |
| 31 | 25510035/0 | 1 | Perno | Pin | Pivot | Bolzen | |
| 32 | 82774247/0 | 1 | Staffa | Clamp | Etrier | Bride | |
| 33 | 22672152/0 | 1 | Rondella | Washer | Rondelle | Scheibe | |
| 34 | 12523060/0 | 1 | Rondella | Washer | Rondelle | Scheibe | |
| 35 | 12155010/0 | 2 | Dado | Nut | Ecrou | Mutter | |
| 36 | 382318247/0 | 1 | Leva | Gearshift | Levier | Hebel | |
| 37 | 25394510/0 | 1 | Manopola | Knob | Poignee | Knopf | |
| 38 | 25430258/0 | 1 | Molla | Spring | Ressort | Feder | |
| 39 | 12692050/0 | 1 | Vite | Screw | Vis | Schraube | |
| 40 | 12155000/0 | 1 | Dado | Nut | Ecrou | Mutter | |
| 41 | 382000545/0 | 1 | Asta | Rod | Barre | Stange | |
| 43 | 12155000/0 | 1 | Dado | Nut | Ecrou | Mutter | |
| 44 | 382000619/0 | 1 | Leva | Gearshift | Levier | Hebel | |
| 45 | 12521340/0 | 1 | Rosetta | Washer | Rondelle | Scheibe | |
| 46 | 24487997/0 | 1 | Coppiglia | Cotter Pin | Goupille | Splint | |
| 47 | 12735520/0 | 1 | Vite | Screw | Vis | Schraube | |
| 48 | 12540040/0 | 1 | Rosetta | Washer | Rondelle | Scheibe | |
| 49 | 22680009/0 | 1 | Rondella | Washer | Rondelle | Scheibe | |
| 50 | 14361447/0 | 1 | Etichetta | Label | Etiquette | Klebzettel | |

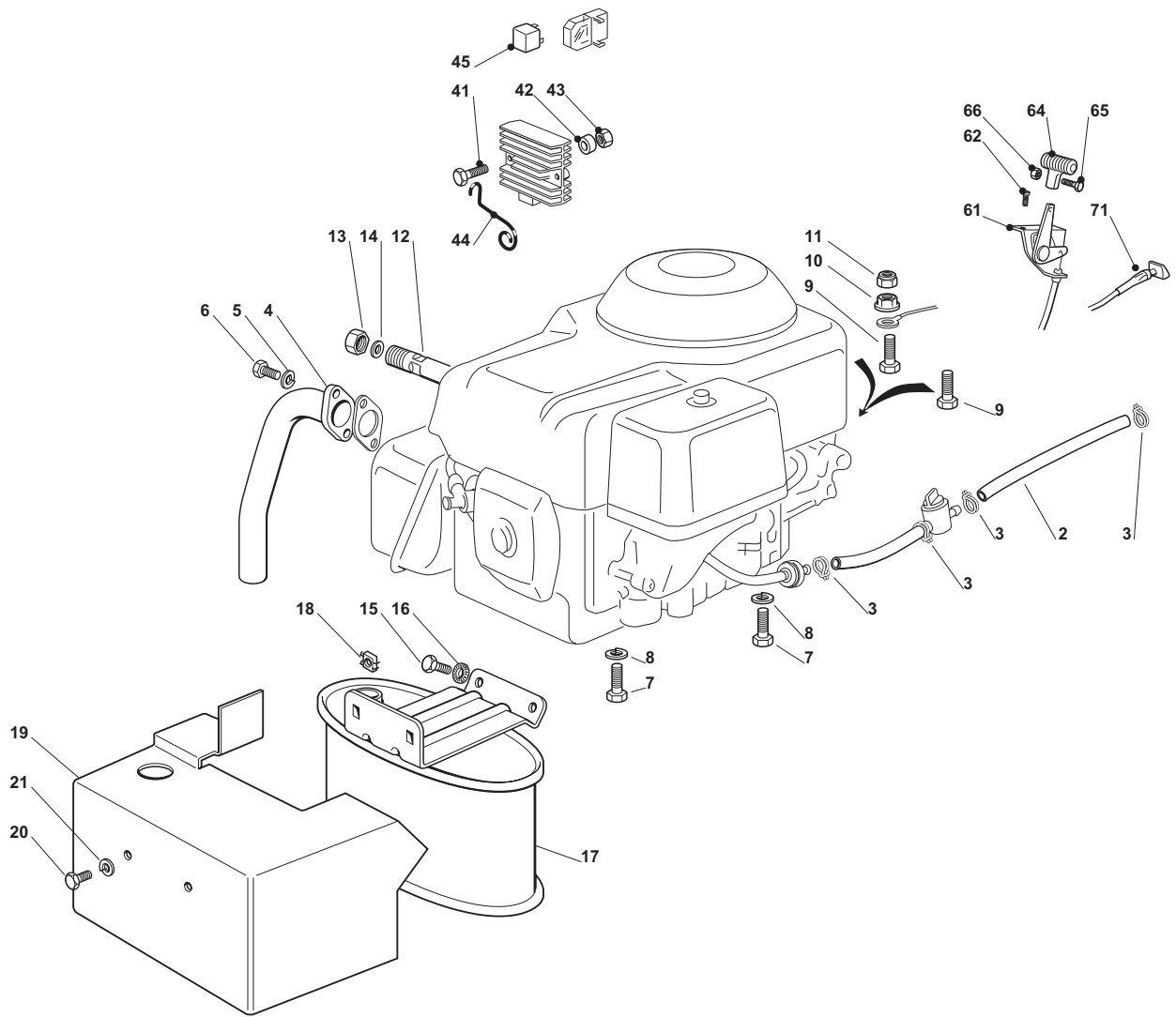


Engine - B&S 11.5 - 12.5 - 13.5 HP

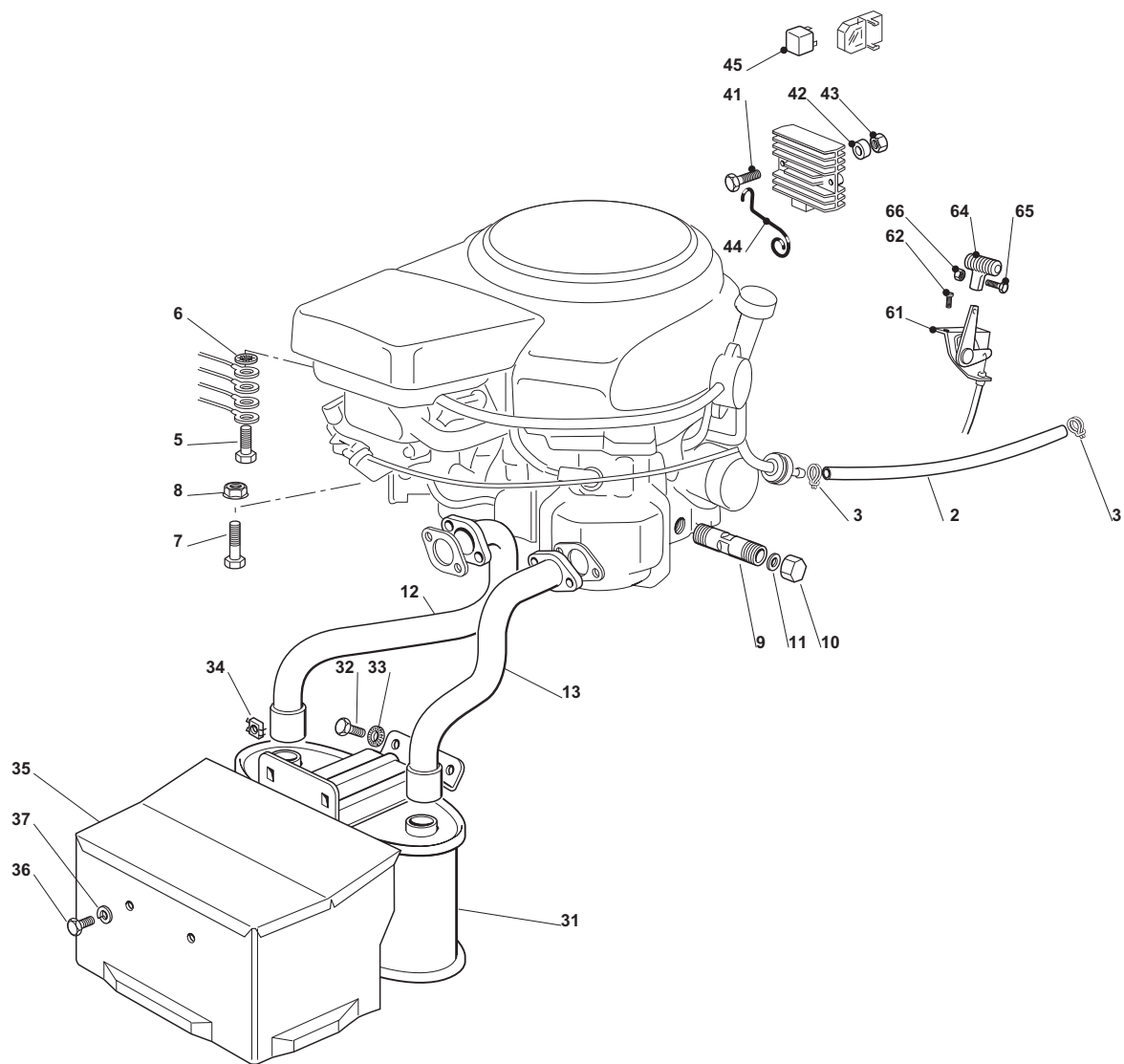
| POS | CODE | Q.TY | DESCRIZIONE | DESCRIPTION | DESCRIPTION | BESCHREIBUNG | NOTES |
|-----|-------------|------|-----------------------------|---------------------------|-----------------------------|---------------------------|-------|
| 2 | 25869057/0 | 1 | Tubo Collegamento (1000 Mm) | Connecting Tube (1000 Mm) | Tube De Connexion (1000 Mm) | Verbindungsrohr (1000 Mm) | |
| 3 | 18375051/1 | 4 | Fascetta | Fair Led | Fixation De Cable | Kabelbefestigung | |
| 4 | 18738224/0 | 1 | Tubo Scarico | Exhaust Tube | Tube Echappement | Abgasungrohr | |
| 5 | 12583500/0 | 2 | Grower | Grower | Grower | Grower | |
| 6 | 12735530/0 | 2 | Vite | Screw | Vis | Schraube | |
| 7 | 12691115/0 | 1 | Vite | Screw | Vis | Schraube | |
| 8 | 12540260/0 | 1 | Rondella | Washer | Rondelle | Scheibe | |
| 9 | 12154210/0 | 1 | Dado | Nut | Ecrou | Mutter | |
| 10 | 25598050/0 | 1 | Prolunga Scarico Olio | Oil Discharge Extension | Extension Dech. Huile | Öl Abfluss | |
| 11 | 18737849/0 | 1 | Tappo Per Prolunga | Oil Cap | Bouchon Huile | Oelverschluss | |
| 12 | 18401001/1 | 1 | Guarnizione | Oil Seal | Garniture | Dichtung | |
| 14 | 12793102/0 | 2 | Vite | Screw | Vis | Schraube | |
| 15 | 12540260/0 | 2 | Rondella | Washer | Rondelle | Scheibe | |
| 16 | 182750010/0 | 1 | Silenziatore | Muffler | Silenceux | Auspuff | |
| 17 | 12360425/0 | 2 | Dado | Nut (Mech.) | Ecrou | Mutter | |
| 18 | 82598009/2 | 1 | Protezione | Guard | Protection | Schutzze | |
| 19 | 12792611/0 | 2 | Vite | Screw | Vis | Schraube | |
| 20 | 12583500/0 | 2 | Grower | Grower | Grower | Grower | |
| 24 | 12154210/0 | 3 | Dado | Nut | Ecrou | Mutter | |
| 25 | 12691100/0 | 3 | Vite | Screw | Vis | Schraube | |
| 41 | 12791213/1 | 2 | Vite | Screw | Vis | Schraube | |
| 42 | 12292102/0 | 2 | Dado | Nut | Ecrou | Mutter | |
| 43 | 18736110/0 | 1 | Relé Avviamento | Starter Relay | Relais D'Allumage | Anlassrelais | |
| 44 | 12360352/0 | 2 | Dado | Nut | Ecrou | Mutter | |
| 45 | 18564864/1 | 1 | Cappuccio | Protection | Capuchon | Stecker | |
| 46 | 25065017/0 | 1 | Cavo Relé Avv. | Cable | Cable | Kabel | |
| 61 | 82000200/1 | 1 | Acceleratore | Accelerator | Accelérateur | Gas Zug | |
| 62 | 125943012/0 | 2 | Vite | Screw | Vis | Schraube | |
| 64 | 25394501/0 | 1 | Manopolina | Handle | Poigne | Griff | |
| 65 | 12726388/0 | 1 | Vite | Screw | Vis | Schraube | |
| 66 | 12290800/0 | 1 | Dado | Nut | Ecrou | Mutter | |



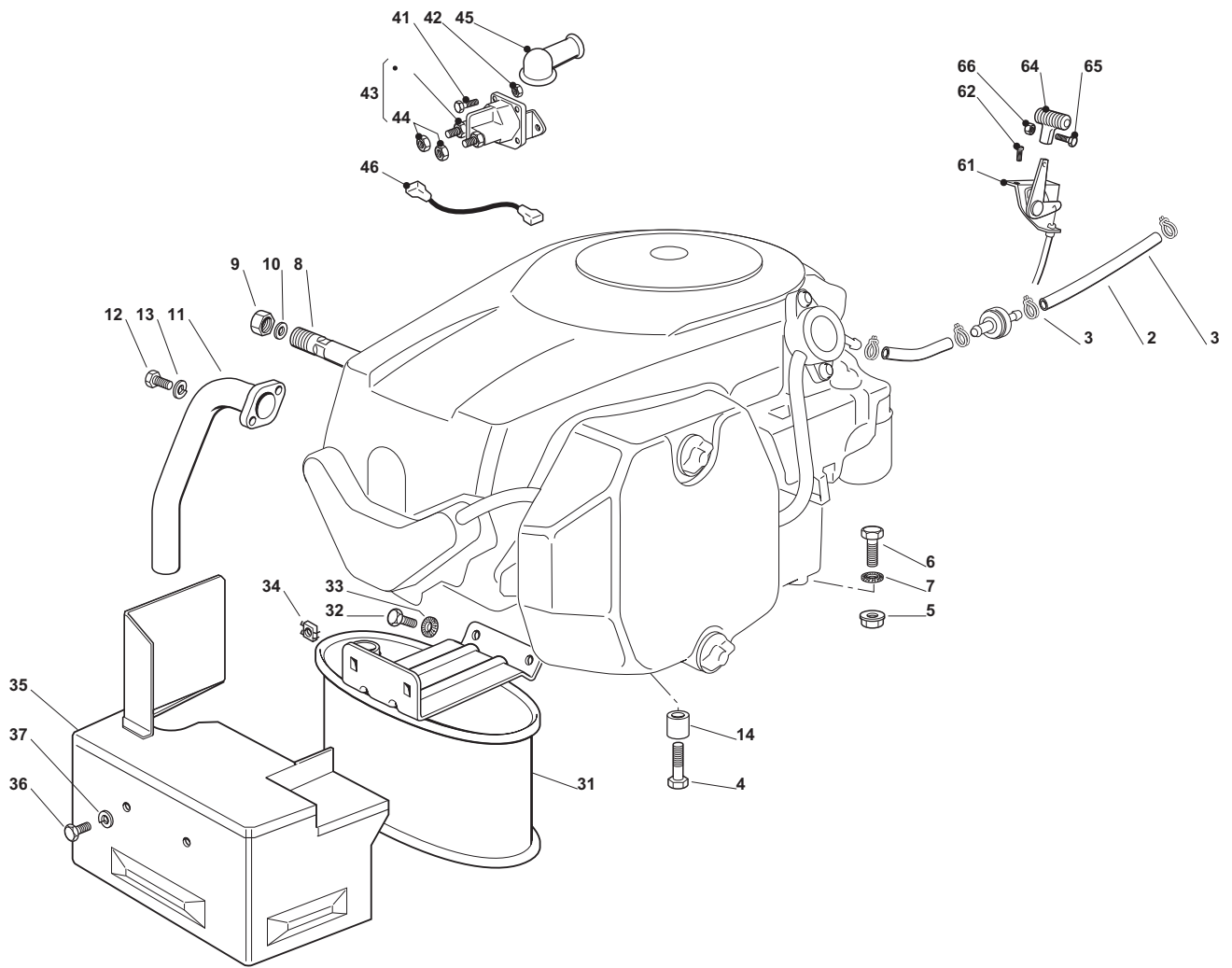
| Engine - B&S 15.5 - 16.5 HP | | | | | | | |
|-----------------------------|-------------|------|-----------------------------|---------------------------|-----------------------------|---------------------------|-------|
| POS | CODE | Q.TY | DESCRIZIONE | DESCRIPTION | DESCRIPTION | BESCHREIBUNG | NOTES |
| 2 | 25869057/0 | 1 | Tubo Collegamento (1000 Mm) | Connecting Tube (1000 Mm) | Tube De Connexion (1000 Mm) | Verbindungsrohr (1000 Mm) | |
| 3 | 18375051/1 | 2 | Fascetta | Fair Led | Fixation De Cable | Kabelbefestigung | |
| 4 | 18738206/0 | 1 | Tubo Scarico | Exhaust Tube | Tube Echappement | Abgasungrohr | |
| 5 | 12583500/0 | 2 | Grower | Grower | Grower | Grower | |
| 6 | 12735530/0 | 2 | Vite | Screw | Vis | Schraube | |
| 7 | 12691115/0 | 1 | Vite | Screw | Vis | Schraube | |
| 8 | 12540260/0 | 1 | Rondella | Washer | Rondelle | Scheibe | |
| 9 | 12154210/0 | 1 | Dado | Nut | Ecrou | Mutter | |
| 10 | 25598050/0 | 1 | Prolunga Scarico Olio | Oil Discharge Extension | Extension Dech. Huile | Öl Abfluss | |
| 11 | 18737849/0 | 1 | Tappo Per Prolunga | Oil Cap | Bouchon Huile | Oelverschluss | |
| 12 | 18401001/1 | 1 | Guarnizione | Oil Seal | Garniture | Dichtung | |
| 14 | 12793102/0 | 2 | Vite | Screw | Vis | Schraube | |
| 15 | 12540260/0 | 2 | Rondella | Washer | Rondelle | Scheibe | |
| 16 | 182750010/0 | 1 | Silenziatore | Muffler | Silenceux | Auspuff | |
| 17 | 12360425/0 | 2 | Dado | Nut (Mech.) | Ecrou | Mutter | |
| 18 | 82598009/2 | 1 | Protezione | Guard | Protection | Schutze | |
| 19 | 12792611/0 | 2 | Vite | Screw | Vis | Schraube | |
| 20 | 12583500/0 | 2 | Grower | Grower | Grower | Grower | |
| 24 | 12154210/0 | 3 | Dado | Nut | Ecrou | Mutter | |
| 25 | 12691100/0 | 3 | Vite | Screw | Vis | Schraube | |
| 41 | 12791213/1 | 2 | Vite | Screw | Vis | Schraube | |
| 42 | 12292102/0 | 2 | Dado | Nut | Ecrou | Mutter | |
| 43 | 18736110/0 | 1 | Relé Avviamento | Starter Relay | Relais D'Allumage | Anlassrelais | |
| 44 | 12360352/0 | 2 | Dado | Nut | Ecrou | Mutter | |
| 45 | 18564864/1 | 1 | Cappuccio | Protection | Capuchon | Stecker | |
| 46 | 25065017/0 | 1 | Cavo Relé Avv. | Cable | Cable | Kabel | |
| 61 | 82000200/1 | 1 | Acceleratore | Accelerator | Accelérateur | Gas Zug | |
| 62 | 125943012/0 | 2 | Vite | Screw | Vis | Schraube | |
| 64 | 25394501/0 | 1 | Manopolina | Handle | Poigne | Griff | |
| 65 | 12726388/0 | 1 | Vite | Screw | Vis | Schraube | |
| 66 | 12290800/0 | 1 | Dado | Nut | Ecrou | Mutter | |



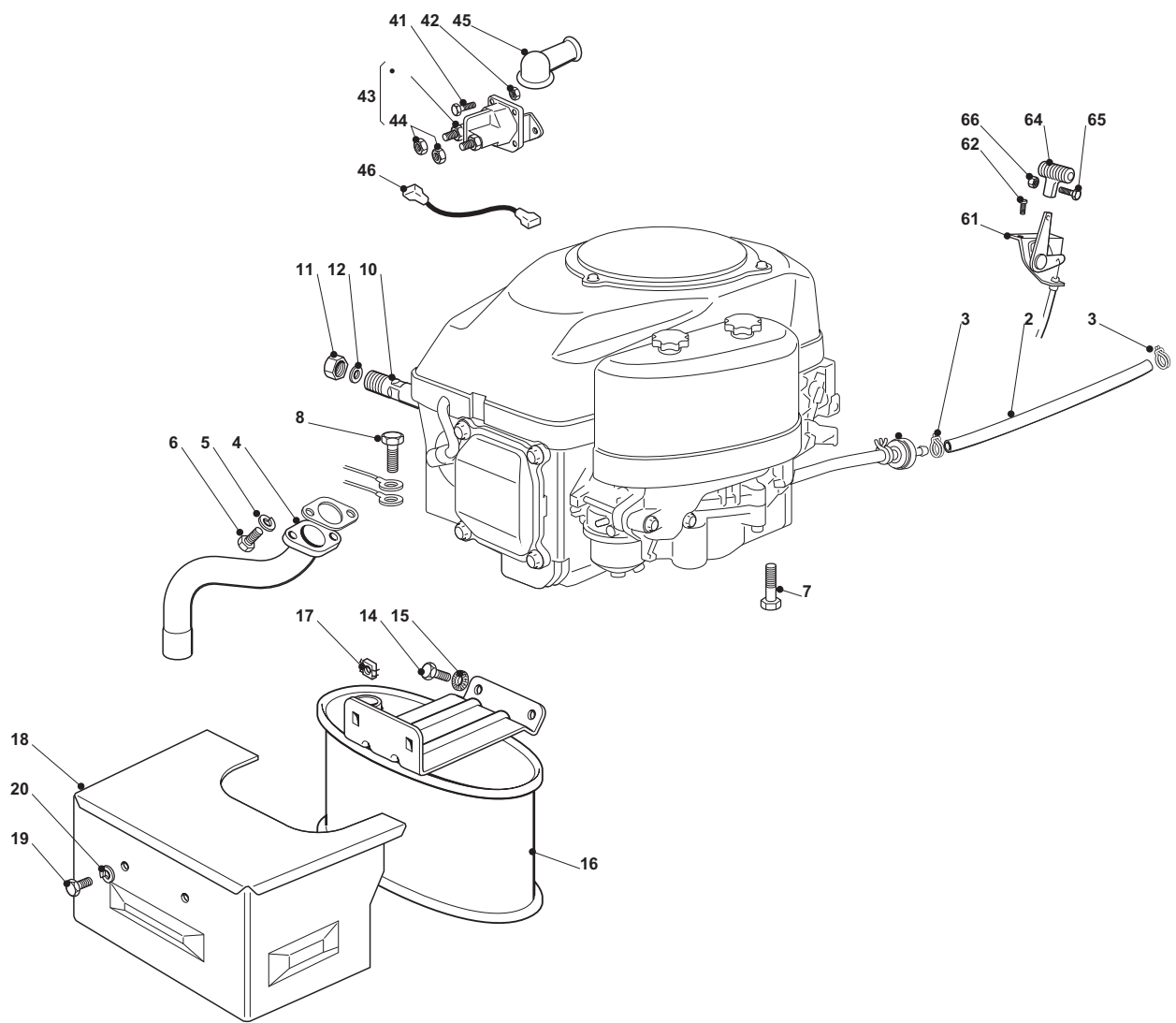
| Engine - Honda GXV 390 | | | | | | | |
|------------------------|-------------|------|-----------------------------|---------------------------|-----------------------------------|-----------------------------|-------|
| POS | CODE | Q.TY | DESCRIZIONE | DESCRIPTION | DESCRIPTION | BESCHREIBUNG | NOTES |
| 2 | 25869057/0 | 1 | Tubo Collegamento (1000 Mm) | Connecting Tube (1000 Mm) | Tube De Connexion (1000 Mm) | Verbindungsrohr (1000 Mm) | |
| 3 | 18375051/1 | 4 | Fascetta | Fair Led | Fixation De Cable | Kabelbefestigung | |
| 4 | 18738204/0 | 1 | Tubo Scarico | Exhaust Tube | Tube Echappement | Abgasungrohr | |
| 5 | 12583500/0 | 2 | Grower | Grower | Grower | Grower | |
| 6 | 12793102/0 | 2 | Vite | Screw | Vis | Schraube | |
| 7 | 12735802/0 | 2 | Vite | Screw | Vis | Schraube | |
| 8 | 12583500/0 | 2 | Grower | Grower | Grower | Grower | |
| 9 | 12691100/0 | 2 | Vite | Screw | Vis | Schraube | |
| 10 | 12154210/0 | 2 | Dado | Nut | Ecrou | Mutter | |
| 11 | 12155000/0 | 1 | Dado | Nut | Ecrou | Mutter | |
| 12 | 27598061/1 | 1 | Prolunga Scarico Olio | Oil Discharge Extension | Extension Rallonge De Dech. Huile | Öl Entlerungsverlaen Gerung | |
| 13 | 18737849/0 | 1 | Tappo Per Prolunga | Oil Cap | Bouchon Huile | Oelverschluss | |
| 14 | 18401001/1 | 1 | Guarnizione | Oil Seal | Garniture | Dichtung | |
| 15 | 12792611/0 | 2 | Vite | Screw | Vis | Schraube | |
| 16 | 12540260/0 | 2 | Rondella | Washer | Rondelle | Scheibe | |
| 17 | 182750010/0 | 1 | Silenziatore | Muffler | Silenceux | Auspuff | |
| 18 | 12360425/0 | 2 | Dado | Nut (Mech.) | Ecrou | Mutter | |
| 19 | 82598003/1 | 1 | Protezione | Guard | Protection | Schutze | |
| 20 | 125943012/0 | 2 | Vite | Screw | Vis | Schraube | |
| 21 | 12583500/0 | 2 | Grower | Grower | Grower | Grower | |
| 41 | 12815221/0 | 2 | Vite | Screw | Vis | Schraube | |
| 42 | 22170950/0 | 2 | Distanziale | Spacer | Entretoise | Entfernungsstück | |
| 43 | 12292102/0 | 2 | Dado | Nut | Ecrou | Mutter | |
| 44 | 27430561/0 | 1 | Molla | Spring | Ressort | Feder | |
| 45 | 33567000/0 | 1 | Rele' | Relay | Relais | Relais | |
| 61 | 82000200/1 | 1 | Acceleratore | Accelerator | Accelérateur | Gas Zug | |
| 62 | 12788512/0 | 2 | Vite | Screw | Vis | Schraube | |
| 64 | 25394501/0 | 1 | Manopolina | Handle | Poigne | Griff | |
| 65 | 12726388/0 | 1 | Vite | Screw | Vis | Schraube | |
| 66 | 12290800/0 | 1 | Dado | Nut | Ecrou | Mutter | |
| 71 | 125090007/0 | 1 | Comando Starter | Choke Control | Commande Starter | Starter Betaetigung | |



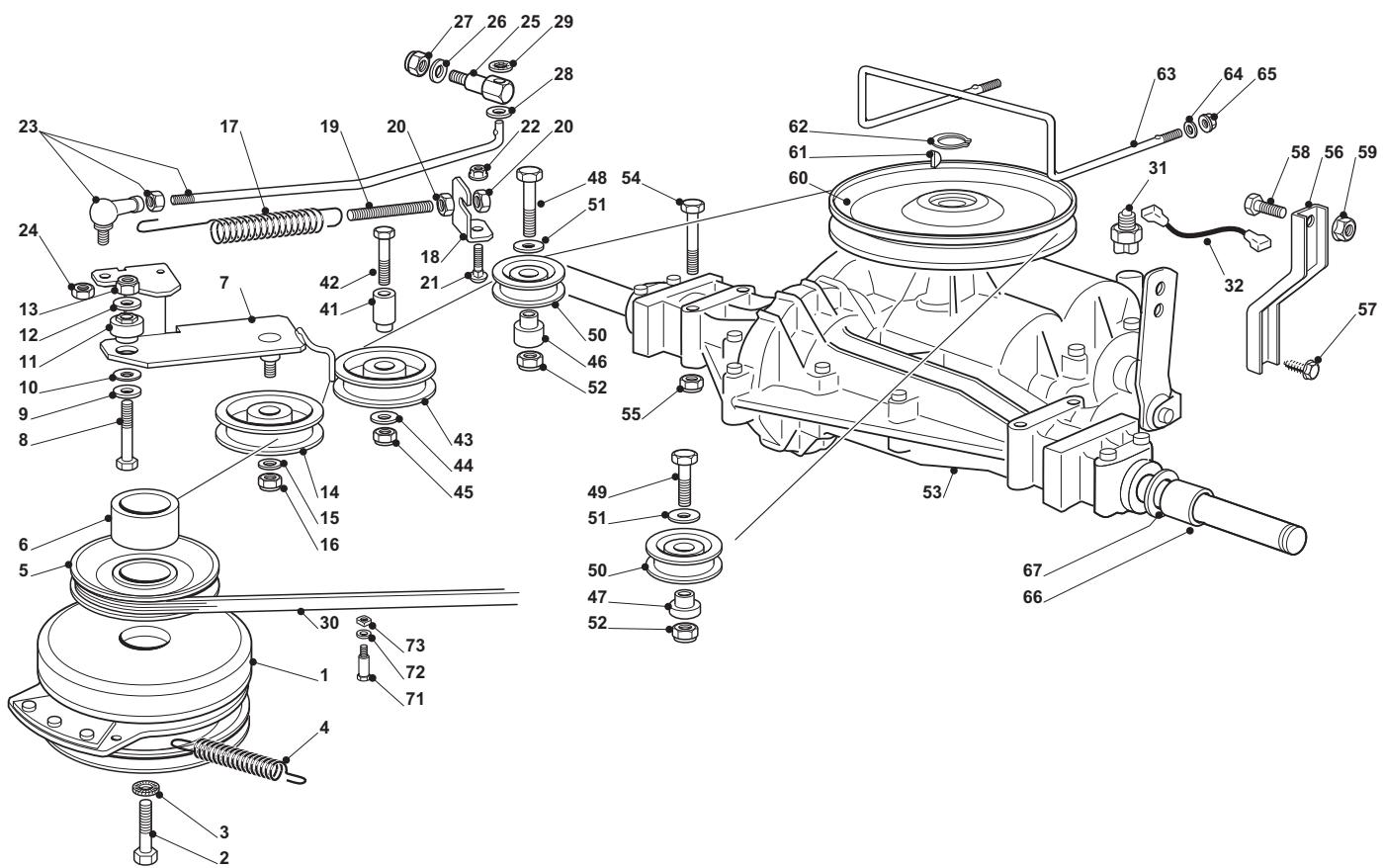
| Engine - Honda GCV 530 | | | | | | | |
|------------------------|-------------|------|-----------------------------|---------------------------|-----------------------------|---------------------------|-------|
| POS | CODE | Q.TY | DESCRIZIONE | DESCRIPTION | DESCRIPTION | BESCHREIBUNG | NOTES |
| 2 | 25869057/0 | 1 | Tubo Collegamento (1000 Mm) | Connecting Tube (1000 Mm) | Tube De Connexion (1000 Mm) | Verbindungsrohr (1000 Mm) | |
| 3 | 18375051/1 | 2 | Fascetta | Fair Led | Fixation De Cable | Kabelbefestigung | |
| 5 | 12735599/0 | 1 | Vite | Screw | Vis | Schraube | |
| 6 | 12540260/0 | 1 | Rondella | Washer | Rondelle | Scheibe | |
| 7 | 12691115/0 | 4 | Vite | Screw | Vis | Schraube | |
| 8 | 12154210/0 | 4 | Dado | Nut | Ecrou | Mutter | |
| 9 | 125598052/1 | 1 | Prolunga Scarico Olio | Oil Discharge Extension | Extension Dech. Huile | Öl Abfluss | |
| 10 | 18737849/0 | 1 | Tappo Per Prolunga | Oil Cap | Bouchon Huile | Oelverschluss | |
| 11 | 18401001/1 | 1 | Guarnizione | Oil Seal | Garniture | Dichtung | |
| 12 | 18738221/0 | 1 | Tubo Scarico Destro | Exhaust Tube Right | Tube Echappement Droit | Abgasungrohr, Rechte | |
| 13 | 18738222/0 | 1 | Tubo Scarico Sinistro | Exhaust Tube Left | Tube Echappement Gau. | Abgasungrohr, Linke | |
| 31 | 82750003/0 | 1 | Silenziatore | Muffler | Silenceux | Auspuff | |
| 32 | 12793102/0 | 2 | Vite | Screw | Vis | Schraube | |
| 33 | 12540260/0 | 2 | Rondella | Washer | Rondelle | Scheibe | |
| 34 | 12360425/0 | 2 | Dado | Nut (Mech.) | Ecrou | Mutter | |
| 35 | 82598005/2 | 1 | Protezione | Guard | Protection | Schutze | |
| 36 | 12792611/0 | 2 | Vite | Screw | Vis | Schraube | |
| 37 | 12583500/0 | 2 | Grower | Grower | Grower | Grower | |
| 41 | 12815221/0 | 2 | Vite | Screw | Vis | Schraube | |
| 42 | 22170950/0 | 2 | Distanziale | Spacer | Entretoise | Entfernungsstück | |
| 43 | 12292102/0 | 2 | Dado | Nut | Ecrou | Mutter | |
| 44 | 27430561/0 | 1 | Molla | Spring | Ressort | Feder | |
| 45 | 33567000/0 | 1 | Rele' | Relay | Relais | Relais | |
| 61 | 82000200/1 | 1 | Acceleratore | Accelerator | Accelérateur | Gas Zug | |
| 62 | 125943012/0 | 2 | Vite | Screw | Vis | Schraube | |
| 64 | 25394501/0 | 1 | Manopolina | Handle | Poigne | Griff | |
| 65 | 12726388/0 | 1 | Vite | Screw | Vis | Schraube | |
| 66 | 12290800/0 | 1 | Dado | Nut | Ecrou | Mutter | |



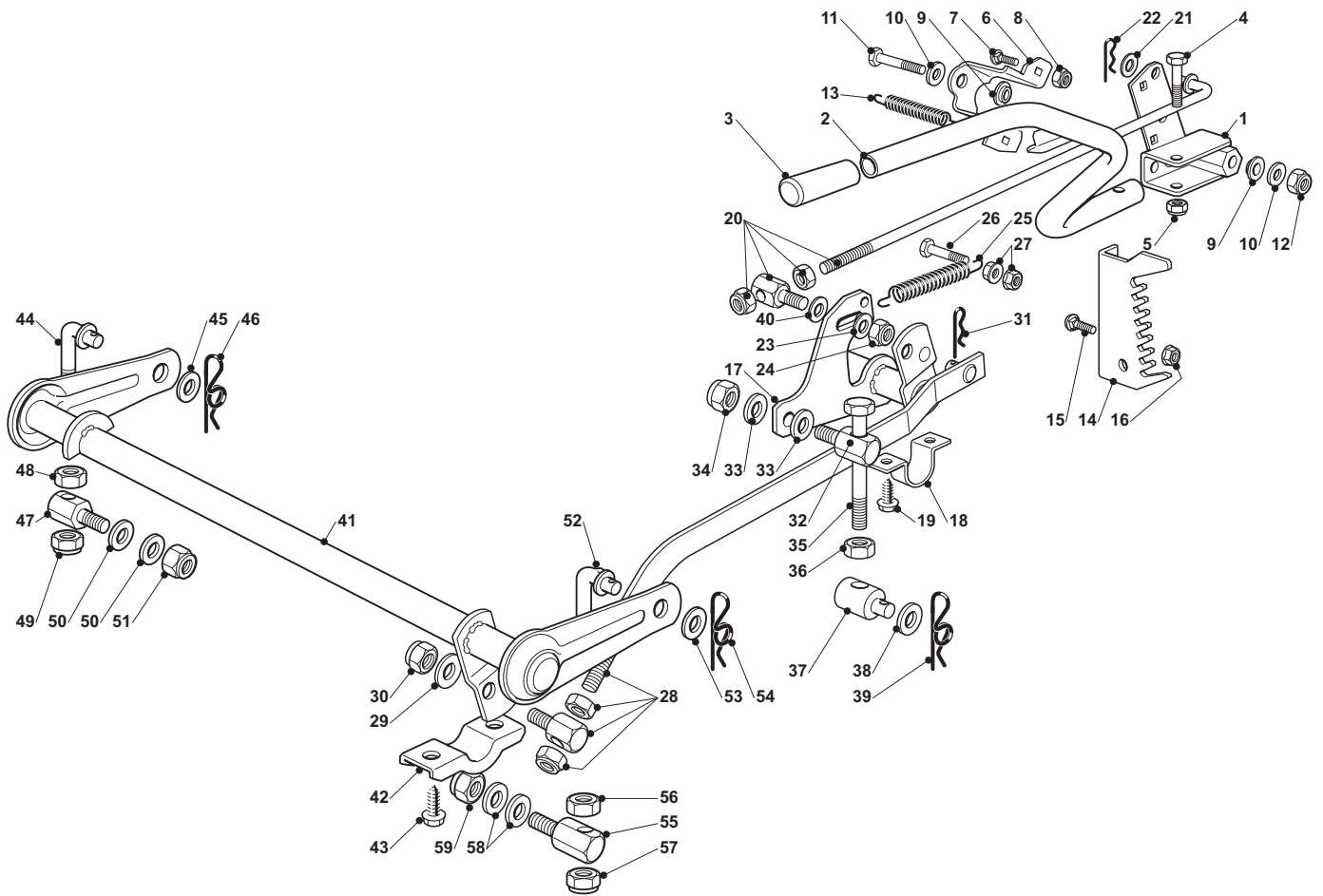
| Engine - Kohler 16 HP | | | | | | | |
|-----------------------|-------------|------|-----------------------------|---------------------------|-----------------------------|---------------------------|-------|
| POS | CODE | Q.TY | DESCRIZIONE | DESCRIPTION | DESCRIPTION | BESCHREIBUNG | NOTES |
| 2 | 25869057/0 | 1 | Tubo Collegamento (1000 Mm) | Connecting Tube (1000 Mm) | Tube De Connexion (1000 Mm) | Verbindungsrohr (1000 Mm) | |
| 3 | 18375051/1 | 2 | Fascetta | Fair Led | Fixation De Cable | Kabelbefestigung | |
| 4 | 112735108/1 | 3 | Vite | Screw | Vis | Schraube | |
| 5 | 12154210/0 | 1 | Dado | Nut | Ecrou | Mutter | |
| 6 | 12691115/0 | 1 | Vite | Screw | Vis | Schraube | |
| 7 | 12540260/0 | 1 | Rondella | Washer | Rondelle | Scheibe | |
| 8 | 27598060/0 | 1 | Prolunga Scarico Olio | Oil Discharge Extension | Extension Dech. Huile | Öl Abfluss | |
| 9 | 18737849/0 | 1 | Tappo Per Prolunga | Oil Cap | Bouchon Huile | Oelverschluss | |
| 10 | 18401001/1 | 1 | Guarnizione | Oil Seal | Garniture | Dichtung | |
| 11 | 18738227/0 | 1 | Tubo Scarico | Exhaust Tube | Tube Echappement | Abgasungrohr | |
| 12 | 12735530/0 | 2 | Vite | Screw | Vis | Schraube | |
| 13 | 12583500/0 | 2 | Grower | Grower | Grower | Grower | |
| 14 | 25160035/0 | 3 | Distanziale | Spacer | Entretoise | Entfernungsstück | |
| 31 | 182750010/0 | 1 | Silenziatore | Muffler | Silenceux | Auspuff | |
| 32 | 12793102/0 | 2 | Vite | Screw | Vis | Schraube | |
| 33 | 12540260/0 | 2 | Rondella | Washer | Rondelle | Scheibe | |
| 34 | 12360425/0 | 2 | Dado | Nut (Mech.) | Ecrou | Mutter | |
| 35 | 82598029/0 | 1 | Protezione | Guard | Protection | Schutze | |
| 36 | 12792611/0 | 2 | Vite | Screw | Vis | Schraube | |
| 37 | 12583500/0 | 2 | Grower | Grower | Grower | Grower | |
| 41 | 12791213/1 | 2 | Vite | Screw | Vis | Schraube | |
| 42 | 12292102/0 | 2 | Dado | Nut | Ecrou | Mutter | |
| 43 | 18736110/0 | 1 | Relé Avviamento | Starter Relay | Relais D'Allumage | Anlassrelais | |
| 44 | 12360352/0 | 2 | Dado | Nut | Ecrou | Mutter | |
| 45 | 18564864/1 | 1 | Cappuccio | Protection | Capuchon | Stecker | |
| 46 | 25065017/0 | 1 | Cavo Relé Avv. | Cable | Cable | Kabel | |
| 61 | 82000200/1 | 1 | Acceleratore | Accelerator | Accelérateur | Gas Zug | |
| 62 | 125943012/0 | 2 | Vite | Screw | Vis | Schraube | |
| 64 | 25394501/0 | 1 | Manopolina | Handle | Poigne | Griff | |
| 65 | 12726388/0 | 1 | Vite | Screw | Vis | Schraube | |
| 66 | 12290800/0 | 1 | Dado | Nut | Ecrou | Mutter | |



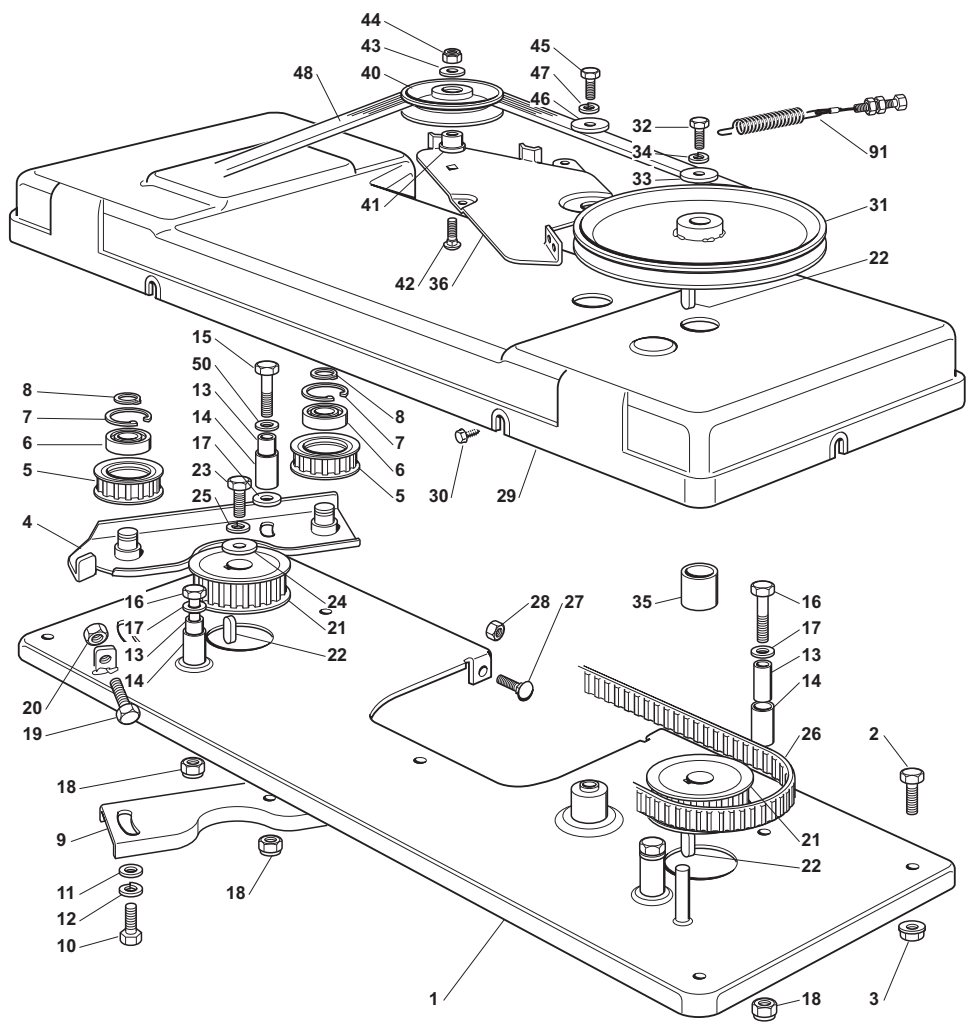
| Engine - GGP | | | | | | | |
|--------------|-------------|------|-----------------------------|---------------------------|-----------------------------|---------------------------|-------|
| POS | CODE | Q.TY | DESCRIZIONE | DESCRIPTION | DESCRIPTION | BESCHREIBUNG | NOTES |
| 2 | 25869057/0 | 1 | Tubo Collegamento (1000 Mm) | Connecting Tube (1000 Mm) | Tube De Connexion (1000 Mm) | Verbindungsrohr (1000 Mm) | |
| 3 | 18375051/1 | 4 | Fascetta | Fair Led | Fixation De Cable | Kabelbefestigung | |
| 4 | 118738231/1 | 1 | Tubo Scarico | Exhaust Tube | Tube Echappement | Abgasrohr | |
| 5 | 12583500/0 | 2 | Grower | Grower | Grower | Grower | |
| 6 | 12737450/0 | 2 | Vite | Screw | Vis | Schraube | |
| 7 | 112735108/1 | 4 | Vite | Screw | Vis | Schraube | |
| 8 | 12735599/0 | 1 | Vite | Screw | Vis | Schraube | |
| 10 | 27598060/0 | 1 | Prolunga Scarico Olio | Oil Discharge Extension | Extension Dech. Huile | Öl Abfluss | |
| 11 | 18737849/0 | 1 | Tappo Per Prolunga | Oil Cap | Bouchon Huile | Ölverschluss | |
| 12 | 18401001/1 | 1 | Guarnizione | Oil Seal | Garniture | Dichtung | |
| 14 | 12793102/0 | 2 | Vite | Screw | Vis | Schraube | |
| 15 | 12540260/0 | 2 | Rondella | Washer | Rondelle | Scheibe | |
| 16 | 182750010/0 | 1 | Silenziatore | Muffler | Silenceux | Auspuff | |
| 17 | 12360425/0 | 2 | Dado | Nut (Mech.) | Ecrou | Mutter | |
| 18 | 382598039/0 | 1 | Protezione | Guard | Protection | Schutze | |
| 19 | 12792611/0 | 2 | Vite | Screw | Vis | Schraube | |
| 20 | 12583500/0 | 2 | Grower | Grower | Grower | Grower | |
| 41 | 12791213/1 | 2 | Vite | Screw | Vis | Schraube | |
| 42 | 12292102/0 | 2 | Dado | Nut | Ecrou | Mutter | |
| 43 | 18736110/0 | 1 | Relé Avviamento | Starter Relay | Relais D'Allumage | Anlassrelais | |
| 44 | 12360352/0 | 2 | Dado | Nut | Ecrou | Mutter | |
| 45 | 18564864/1 | 1 | Cappuccio | Protection | Capuchon | Stecker | |
| 46 | 25065017/0 | 1 | Cavo Relé Avv. | Cable | Cable | Kabel | |
| 61 | 182000212/0 | 1 | Acceleratore | Accelerator | Accelérateur | Gas Zug | |
| 62 | 125943012/0 | 2 | Vite | Screw | Vis | Schraube | |
| 64 | 25394501/0 | 1 | Manopolina | Handle | Poigne | Griff | |
| 65 | 12726388/0 | 1 | Vite | Screw | Vis | Schraube | |
| 66 | 12290800/0 | 1 | Dado | Nut | Ecrou | Mutter | |



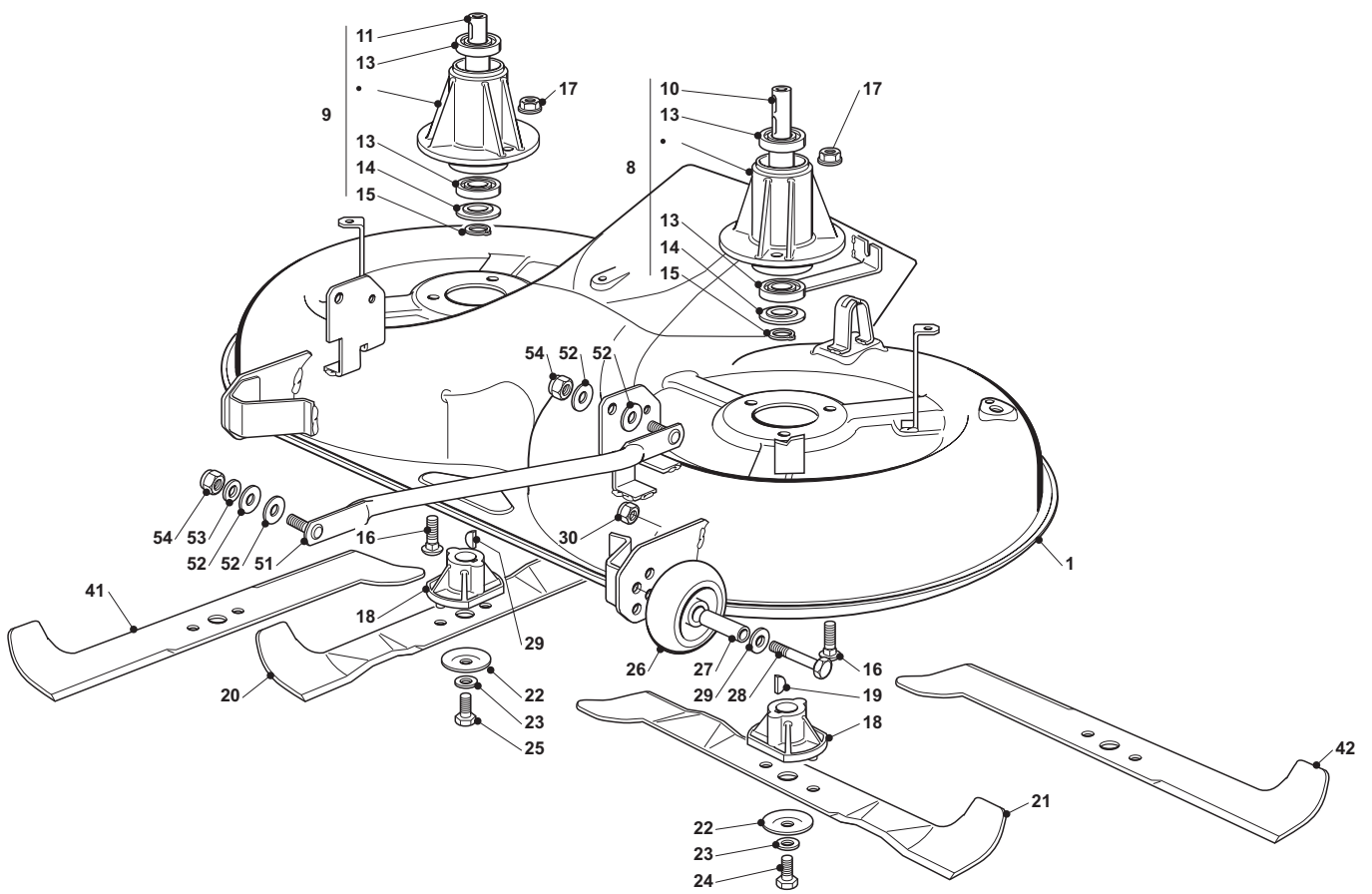
| Transmission | | | | | | | Dana 4360-211 |
|--------------|-------------|------|----------------------------|--------------------|--------------------------|---------------------------|---------------|
| POS | CODE | Q.TY | DESCRIZIONE | DESCRIPTION | DESCRIPTION | BESCHREIBUNG | NOTES |
| 1 | 118399063/0 | 1 | Frizione | Clutc | Embrajage | Kupplung | |
| 2 | 12737320/0 | 1 | Vite | Screw | Vis | Schraube | |
| 3 | 12543000/0 | 1 | Rosetta | Washer | Rondelle | Scheibe | |
| 4 | 122430216/1 | 1 | Molla | Spring | Ressort | Feder | |
| 5 | 25601567/0 | 1 | Puleggia | Pulley | Poulie | Riemenscheibe | |
| 6 | 25160021/0 | 1 | Distanziale | Spacer | Entretoise | Entfernungsstück | |
| 7 | 82318217/0 | 1 | Leva | Lever | Levier | Hebel | |
| 8 | 12691115/0 | 1 | Vite | Screw | Vis | Schraube | |
| 9 | 12523060/0 | 1 | Rondella | Washer | Rondelle | Scheibe | |
| 10 | 27670055/0 | 1 | Rondella | Washer | Rondelle | Scheibe | |
| 11 | 25510087/0 | 1 | Perno | Pin | Pivot | Bolzen | |
| 12 | 12523060/0 | 1 | Rondella | Washer | Rondelle | Scheibe | |
| 13 | 12155000/0 | 1 | Dado | Nut | Ecrou | Mutter | |
| 14 | 25601554/0 | 1 | Puleggia | Pulley | Poulie | Riemenscheibe | |
| 15 | 12523060/0 | 1 | Rondella | Washer | Rondelle | Scheibe | |
| 16 | 12155000/0 | 1 | Dado | Nut | Ecrou | Mutter | |
| 17 | 25430260/0 | 1 | Molla | Spring | Ressort | Feder | |
| 18 | 25755049/0 | 1 | Squadretta | Bracket | Equerre-Support | Winkel | |
| 19 | 25840005/0 | 1 | Tirante | Tie Rod | Tirant | Spannstange | |
| 20 | 12293200/0 | 2 | Dado | Nut | Ecrou | Mutter | |
| 21 | 12818690/0 | 1 | Vite | Screw | Vis | Schraube | |
| 22 | 12293201/0 | 1 | Dado | Nut | Ecrou | Mutter | |
| 23 | 82820013/0 | 1 | Ass. Tirante | Tie Rod Ass.Y | Ens. Tirant | Spannstange, Komplet | |
| 24 | 12155000/0 | 1 | Dado | Nut | Ecrou | Mutter | |
| 25 | 25510063/0 | 1 | Perno | Pin | Pivot | Bolzen | |
| 26 | 25670011/0 | 2 | Rondella | Washer | Rondelle | Scheibe | |
| 27 | 12155000/0 | 1 | Dado | Nut | Ecrou | Mutter | |
| 28 | 12521350/0 | 1 | Rondella | Washer | Rondelle | Scheibe | |
| 29 | 12604899/0 | 1 | Fissatore A Corona | Crown Fastener | Fixateur A Couronne | Kronescheibe | |
| 30 | 35062011/0 | 1 | Cinghia | Belt | Courroie | Riemen | |
| 31 | 19410610/0 | 1 | Interrutt. Cambio | Gearbox Switch | Int. Boîte De Vitesse | Antrieb Schalter | |
| 32 | 25065026/0 | 1 | Cabl. Micro Folle | Cable | Cables | Kabel | |
| 41 | 125510100/0 | 1 | Perno | Pin | Pivot | Bolzen | |
| 42 | 12691800/0 | 1 | Vite | Screw | Vis | Schraube | |
| 43 | 25601555/0 | 1 | Puleggia | Pulley | Poulie | Riemenscheibe | |
| 44 | 12523060/0 | 1 | Rondella | Washer | Rondelle | Scheibe | |
| 45 | 12155000/0 | 1 | Dado | Nut | Ecrou | Mutter | |
| 46 | 125160014/1 | 1 | Distanziale Destro | Right Spacer | Entretoise Droite | Rechter Entfernungs Stück | |
| 47 | 125160018/1 | 1 | Distanziale Sinistro | Left Spacer | Entretoise Gauche | Linker Entfernungsstück | |
| 48 | 12691200/0 | 1 | Vite | Screw | Vis | Schraube | |
| 49 | 12691100/0 | 1 | Vite | Screw | Vis | Schraube | |
| 50 | 125601588/0 | 2 | Puleggia | Pulley | Poulie | Riemenscheibe | |
| 51 | 22671653/0 | 2 | Rosetta | Washer | Rondelle | Scheibe | |
| 52 | 12155000/0 | 2 | Dado | Nut | Ecrou | Mutter | |
| 53 | 18400912/0 | 1 | Asse Posteriore | Rear Axle | Axe Arriere | Hinterachse | Dana 4360-211 |
| 54 | 12691900/0 | 4 | Vite | Screw | Vis | Schraube | |
| 55 | 12154210/0 | 4 | Dado | Nut | Ecrou | Mutter | |
| 56 | 325774479/0 | 2 | Staffa | Clamp | Etrier | Bride | |
| 57 | 12735150/0 | 2 | Vite | Screw | Vis | Schraube | |
| 58 | 12792611/0 | 2 | Vite | Screw | Vis | Schraube | |
| 59 | 12293201/0 | 2 | Dado | Nut | Ecrou | Mutter | |
| 60 | 82601509/0 | 1 | Puleggia | Pulley | Poulie | Riemenscheibe | |
| 61 | 12139430/0 | 1 | Linguetta | Key | Clavette | Keil | |
| 62 | 12608950/0 | 1 | Anello Elastico | Snap Ring | Anneau Ressort | Sprengring | |
| 63 | 125270331/0 | 1 | Guidacinghia | Belt Guide | Guide De Courroie | Riemenführung | |
| 64 | 12523040/0 | 2 | Rosetta | Washer | Rondelle | Scheibe | |
| 65 | 12292102/0 | 2 | Dado | Nut | Ecrou | Mutter | |
| 66 | 25160034/0 | 2 | Distanziale | Spacer | Entretoise | Entfernungsstück | |
| 67 | 12521410/0 | 2-4 | Rosetta | Washer | Rondelle | Scheibe | |
| 71 | 25580030/0 | 2 | Piolo Guidacinghia (Mecc.) | Belt Guide (Mech.) | Guide De Courroie (Mec.) | Riemenführung (Mech.) | |
| 72 | 12523060/0 | 2 | Rondella | Washer | Rondelle | Scheibe | |
| 73 | 12360425/0 | 2 | Dado | Nut (Mech.) | Ecrou | Mutter | |



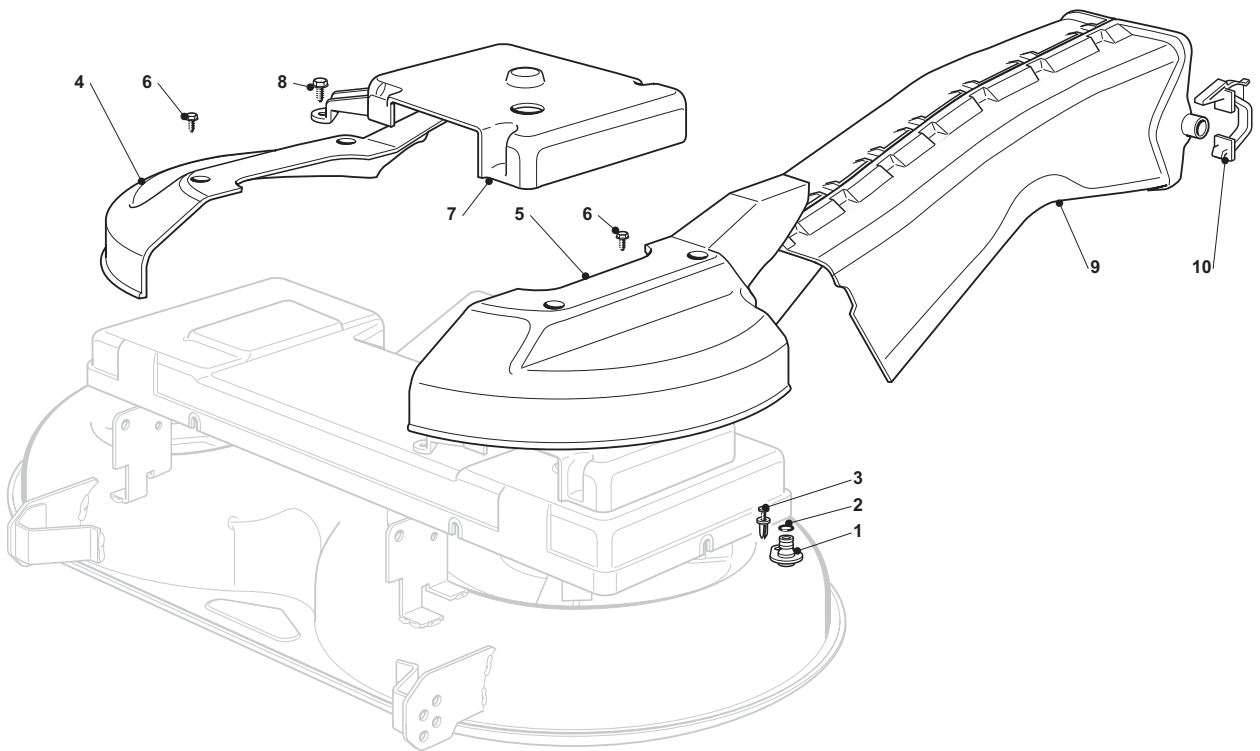
| Cutting Plate Lifting | | | | | | | |
|-----------------------|-------------|------|-------------------|----------------|-------------------|-----------------|-------|
| POS | CODE | Q.TY | DESCRIZIONE | DESCRIPTION | DESCRIPTION | BESCHREIBUNG | NOTES |
| 1 | 82774249/0 | 1 | Staffa | Clamp | Bride | Bride | |
| 2 | 382318219/1 | 1 | Leva | Lever | Levier | Hebel | |
| 3 | 25394508/0 | 1 | Manopola | Handle | Poingee | Griff | |
| 4 | 12674700/0 | 1 | Vite | Screw | Vis | Schraube | |
| 5 | 12154510/0 | 1 | Dado | Nut | Ecrou | Mutter | |
| 6 | 25650113/0 | 1 | Piastrina | Plate | Plaque | Platte | |
| 7 | 12818690/0 | 2 | Vite | Screw | Vis | Schraube | |
| 8 | 12155000/0 | 2 | Dado | Nut | Ecrou | Mutter | |
| 9 | 22041980/0 | 2 | Bussola | Bush | Douille | Büchse | |
| 10 | 12523060/0 | 2 | Rondella | Washer | Rondelle | Scheibe | |
| 11 | 12691600/0 | 1 | Vite | Screw | Vis | Schraube | |
| 12 | 12155000/0 | 1 | Dado | Nut | Ecrou | Mutter | |
| 13 | 25430259/0 | 1 | Molla | Spring | Ressort | Feder | |
| 14 | 25735511/0 | 1 | Settore | Sector | Secteur | Sektor | |
| 15 | 12818690/0 | 2 | Vite | Screw | Vis | Schraube | |
| 16 | 12293201/0 | 2 | Dado | Nut | Ecrou | Mutter | |
| 17 | 82000387/0 | 1 | Asse Sollevamento | Axle | Axe | Achse | |
| 18 | 325547041/1 | 2 | Piastrina | Plate | Plaque | Platte | |
| 19 | 12731580/0 | 4 | Vite | Screw | Vis | Schraube | |
| 20 | 382000618/0 | 1 | Asta | Rod | Tige | Stab | |
| 21 | 25670011/0 | 1 | Rondella | Washer | Rondelle | Scheibe | |
| 22 | 24487998/0 | 1 | Coppiglia | Cotter Pin | Goupille | Splint | |
| 23 | 12523040/0 | 1 | Rosetta | Washer | Rondelle | Scheibe | |
| 24 | 12154210/0 | 1 | Dado | Nut | Ecrou | Mutter | |
| 25 | 22446402/0 | 1 | Molla | Spring | Ressort | Feder | |
| 26 | 12792410/0 | 1 | Vite | Screw | Vis | Schraube | |
| 27 | 12292102/0 | 2 | Dado | Nut | Ecrou | Mutter | |
| 28 | 382000589/0 | 1 | Asta Collegamento | Connecting Rod | Tige De Connexion | Verbindungsstab | |
| 29 | 25670008/1 | 2 | Rondella | Washer | Rondelle | Scheibe | |
| 30 | 12156602/0 | 1 | Dado | Nut | Ecrou | Mutter | |
| 31 | 24487998/0 | 1 | Coppiglia | Cotter Pin | Goupille | Splint | |
| 32 | 25510070/0 | 1 | Perno | Pin | Pivot | Bolzen | |
| 33 | 25670008/1 | 2 | Rondella | Washer | Rondelle | Scheibe | |
| 34 | 12156602/0 | 1 | Dado | Nut | Ecrou | Mutter | |
| 35 | 125840031/0 | 2 | Tirante | Tie Rod | Tirant | Kupplung | |
| 36 | 12295200/0 | 2 | Dado | Nut | Ecrou | Mutter | |
| 37 | 25510070/0 | 2 | Perno | Pin | Pivot | Bolzen | |
| 38 | 12523090/0 | 2 | Rondella | Washer | Rondelle | Scheibe | |
| 39 | 24487998/0 | 2 | Coppiglia | Cotter Pin | Goupille | Splint | |
| 40 | 12521360/0 | 2 | Rondella | Washer | Rondelle | Scheibe | |
| 41 | 382000587/0 | 1 | Asse Sollevamento | Axle | Axe | Achse | |
| 42 | 27546015/1 | 2 | Piastrina | Plate | Plaque | Platte | |
| 43 | 12731350/0 | 4 | Vite | Screw | Vis | Schraube | |
| 44 | 25840024/0 | 1 | Tirante | Tie Rod | Tirant | Spannstange | |
| 45 | 25670008/1 | 1 | Rondella | Washer | Rondelle | Scheibe | |
| 46 | 24487998/0 | 1 | Coppiglia | Cotter Pin | Goupille | Splint | |
| 47 | 25510098/0 | 1 | Perno | Pin | Pivot | Bolzen | |
| 48 | 12295200/0 | 1 | Dado | Nut | Ecrou | Mutter | |
| 49 | 12156602/0 | 1 | Dado | Nut | Ecrou | Mutter | |
| 50 | 25670008/1 | 2 | Rondella | Washer | Rondelle | Scheibe | |
| 51 | 12156602/0 | 1 | Dado | Nut | Ecrou | Mutter | |
| 52 | 25840025/0 | 1 | Tirante | Tie Rod | Tirant | Spannstange | |
| 53 | 25670008/1 | 1 | Rondella | Washer | Rondelle | Scheibe | |
| 54 | 24487998/0 | 1 | Coppiglia | Cotter Pin | Goupille | Splint | |
| 55 | 25510090/0 | 1 | Perno | Pin | Pivot | Bolzen | |
| 56 | 12295200/0 | 1 | Dado | Nut | Ecrou | Mutter | |
| 57 | 12156602/0 | 1 | Dado | Nut | Ecrou | Mutter | |
| 58 | 25670008/1 | 2 | Rondella | Washer | Rondelle | Scheibe | |
| 59 | 12156602/0 | 1 | Dado | Nut | Ecrou | Mutter | |



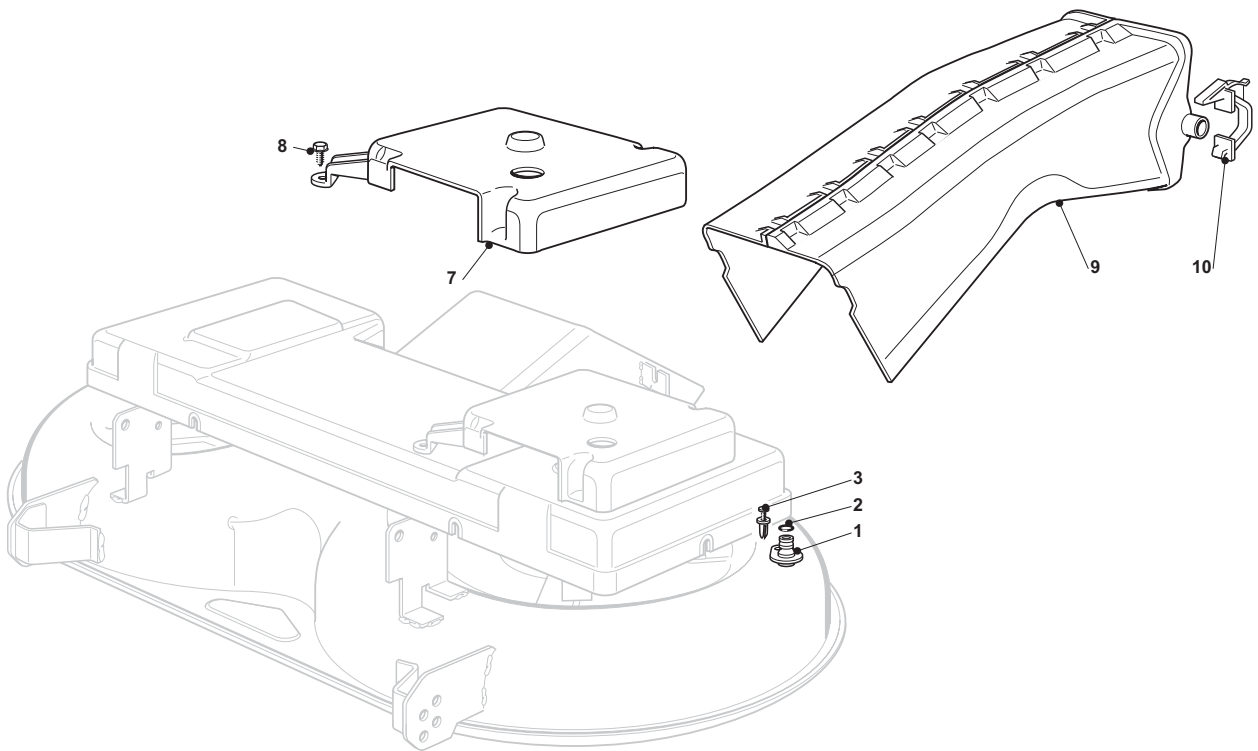
| Blades Engagement | | | | | | | |
|-------------------|-------------|------|-----------------|-------------|----------------|------------------|-------|
| POS | CODE | Q.TY | DESCRIZIONE | DESCRIPTION | DESCRIPTION | BESCHREIBUNG | NOTES |
| 1 | 82547029/0 | 1 | Piastra | Plate | Plate | Platte | |
| 2 | 12792611/0 | 4 | Vite | Screw | Vis | Schraube | |
| 3 | 12293201/0 | 4 | Dado | Nut | Ecrou | Mutter | |
| 4 | 82785084/1 | 1 | Supporto | Support | Support | Haltersatz | |
| 5 | 25601559/1 | 2 | Puleggia | Pulley | Poulie | Riemenscheibe | |
| 6 | 119216048/0 | 2 | Cuscinetto | Bearing | Roulement | Kuegellager | |
| 7 | 12610800/0 | 2 | Anello Elastico | Snap Ring | Anneau Ressort | Sprengring | |
| 8 | 12609200/0 | 2 | Seeger | Seeger | Seeger | Seeger | |
| 9 | 25650037/0 | 1 | Rinforzo | Stiffening | Reinforcement | Verstaerkung | |
| 10 | 12793102/0 | 2 | Vite | Screw | Vis | Schraube | |
| 11 | 12521350/0 | 2 | Rondella | Washer | Rondelle | Scheibe | |
| 12 | 12583500/0 | 2 | Grower | Grower | Grower | Grower | |
| 13 | 25160003/0 | 4 | Distanziale | Spacer | Entretoise | Distanzring | |
| 14 | 25038000/0 | 4 | Boccola | Bushing | Douille | Buchse | |
| 15 | 12691700/0 | 1 | Vite | Screw | Vis | Schraube | |
| 16 | 12691200/0 | 3 | Vite | Screw | Vis | Schraube | |
| 17 | 12521350/0 | 4 | Rondella | Washer | Rondelle | Scheibe | |
| 18 | 12155000/0 | 4 | Dado | Nut | Ecrou | Mutter | |
| 19 | 12793900/0 | 1 | Vite | Screw | Vis | Schraube | |
| 20 | 12293200/0 | 1 | Dado | Nut | Ecrou | Mutter | |
| 21 | 25601560/0 | 2 | Puleggia | Pulley | Poulie | Riemenscheibe | |
| 22 | 12139480/0 | 3 | Chiavetta | Key | Clavette | Keil | |
| 23 | 12793102/0 | 1 | Vite | Screw | Vis | Schraube | |
| 24 | 25670007/0 | 1 | Rosetta | Washer | Rondelle | Scheibe | |
| 25 | 12583500/0 | 1 | Grower | Grower | Grower | Grower | |
| 26 | 35065600/0 | 1 | Cinghia | Belt | Courroire | Keilriemen | |
| 27 | 12815200/0 | 3 | Vite | Screw | Vis | Schraube | |
| 28 | 12292102/0 | 3 | Dado | Nut | Ecrou | Mutter | |
| 29 | 25060100/3 | 1 | Carter | Case | Carter | Blech | |
| 30 | 12735110/0 | 6 | Vite | Screw | Vis | Schraube | |
| 31 | 25601550/0 | 1 | Puleggia | Pulley | Poulie | Riemenscheibe | |
| 32 | 12793102/0 | 1 | Vite | Screw | Vis | Schraube | |
| 33 | 25670007/0 | 1 | Rosetta | Washer | Rondelle | Scheibe | |
| 34 | 12583500/0 | 1 | Grower | Grower | Grower | Grower | |
| 35 | 25160002/0 | 1 | Distanziale | Spacer | Entretoise | Distanzring | |
| 36 | 25318115/1 | 1 | Leva Freno | Brake Lever | Levier Frein | Bremshebel | |
| 40 | 25601555/0 | 1 | Puleggia | Pulley | Poulie | Riemenscheibe | |
| 41 | 25160007/0 | 1 | Distanziale | Spacer | Entretoise | Entfernungsstück | |
| 42 | 12818900/0 | 1 | Vite | Screw | Vis | Schraube | |
| 43 | 12523060/0 | 1 | Rondella | Washer | Rondelle | Scheibe | |
| 44 | 12155000/0 | 1 | Dado | Nut | Ecrou | Mutter | |
| 45 | 12793102/0 | 1 | Vite | Screw | Vis | Schraube | |
| 46 | 12523070/0 | 1 | Rondella | Washer | Rondelle | Scheibe | |
| 47 | 12583500/0 | 1 | Grower | Grower | Grower | Grower | |
| 48 | 35062811/0 | 1 | Cinghia | Belt | Courroie | Keil Riemen | |
| 50 | 12523060/0 | 1 | Rondella | Washer | Rondelle | Scheibe | |
| 91 | 82004608/0 | 1 | Filo | Wire | Fil | Kabel | |



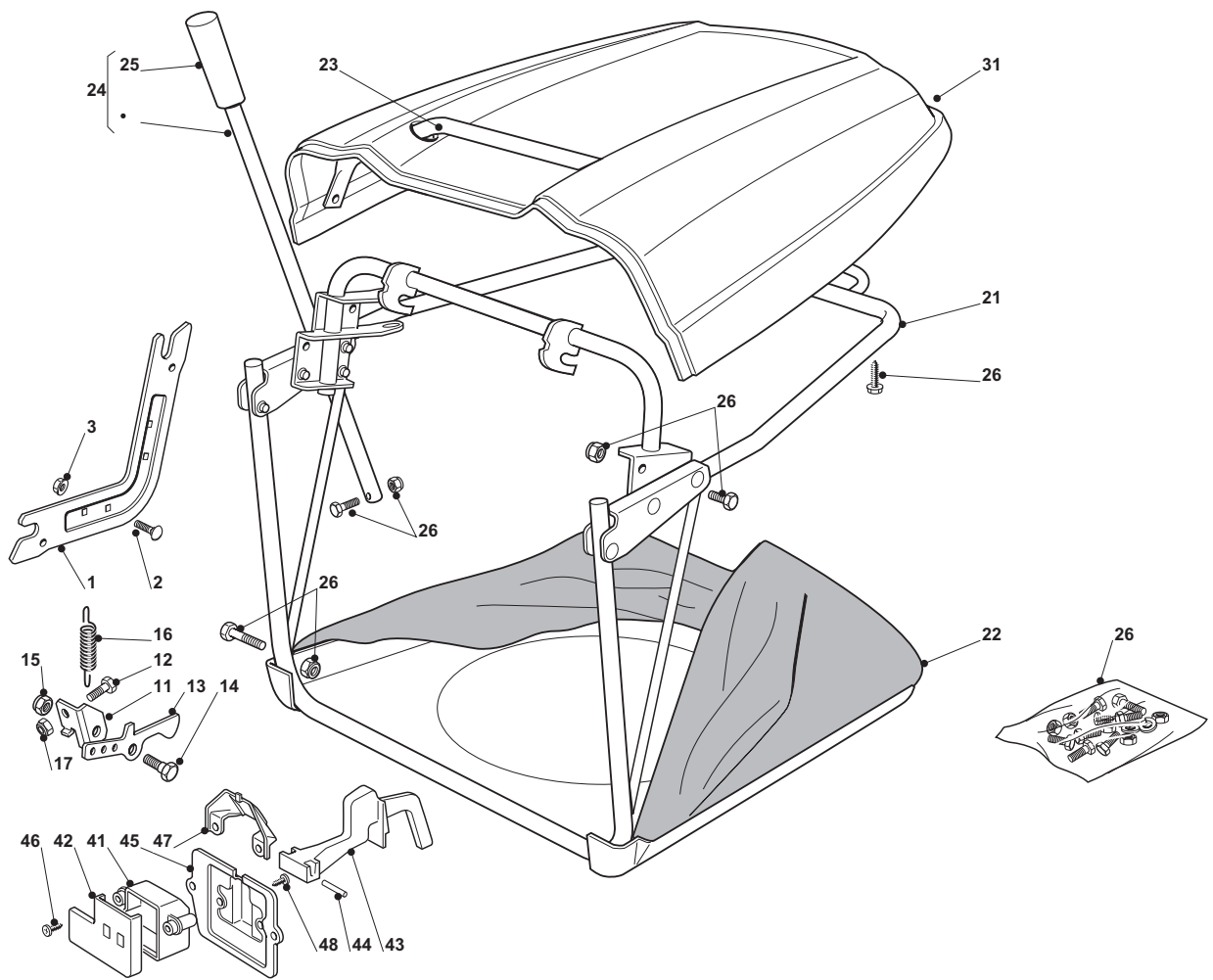
| Cutting Plate | | | | | | | |
|---------------|-------------|------|---|---------------------------------|------------------------------------|------------------------------------|-------|
| POS | CODE | Q.TY | DESCRIZIONE | DESCRIPTION | DESCRIPTION | BESCHREIBUNG | NOTES |
| 1 | 382564151/0 | 1 | Piatto Di Taglio Nero | Cutting Plate Black | Plateau De Coupe Noire | Schneidwerkzeug Schwarz | |
| 8 | 82207200/1 | 1 | Ass. Flangia Principale | Main Shaft Support | Support Arbre Principal | Masserwellehauptsatz | |
| 9 | 82207201/2 | 1 | Ass. Flangia Secondaria | Secondary Shaft Support | Support Arbre Secondaire | Masserwelle Zweiersatz | |
| 10 | 25020800/1 | 1 | Albero Lama Principale | Main Blade Shaft | Arbre Lama Principal | Haupt Messerwelle | |
| 11 | 25020801/2 | 1 | Albero Lama Secondario | Secondary Blade Shaft | Arbre Lama Secondaire | Zweite Messerwelle | |
| 13 | 119216047/0 | 4 | Cuscinetto | Bearing | Roulement | Kuegellager | |
| 14 | 25160501/0 | 2 | Disco Parapolvere | Dust Cover | Protege-Poussiere | Staubschuttscheibe | |
| 15 | 12609260/0 | 2 | Seeger | Seeger | Seeger | Seeger | |
| 16 | 12818700/0 | 6 | Vite | Screw | Vis | Schraube | |
| 17 | 12154210/0 | 6 | Dado | Nut | Ecrou | Mutter | |
| 18 | 25463200/0 | 2 | Mozzo Coltello | Blade Hub | Moyeu Lame | Messerhalter | |
| 19 | 12139100/0 | 2 | Linguetta | Feather | Clavette | Keil | |
| 20 | 82004348/0 | 1 | Coltello Destro Mulching, Alettato | Right Blade Mulching, Winged | Lame Droite Mulching, Aillettee | Rechter Messer Mulching, Flügel | |
| 21 | 82004347/0 | 1 | Coltello Sinistro Mulching, Alettato | Left Blade Mulching, Winged | Lame Gauche Mulching, Aillettee | Linker Messer Mulching, Flügel | |
| 22 | 22160400/0 | 2 | Disco Elastico | Elastic Washer | Rondelle Elastique | Federscheibe | |
| 23 | 12523080/0 | 2 | Rosetta | Washer | Rondelle | Scheibe | |
| 24 | 12735694/0 | 1 | Vite | Screw | Vis | Schraube | |
| 25 | 12735695/1 | 1 | Vite | Screw | Vis | Schraube | |
| 26 | 82700001/0 | 2 | Ruotino Antiscalpo Ø 100 | Anti Scalp Wheel Ø 100 | Roulettes Antiscalp Ø 100 | Skalpierschutzrädchen Ø 100 | |
| 27 | 25510072/0 | 2 | Distanziale | Spacer | Entretoise | Entfernungsstück | |
| 28 | 12692050/0 | 2 | Vite | Screw | Vis | Schraube | |
| 29 | 12523060/0 | 2 | Rondella | Washer | Rondelle | Scheibe | |
| 30 | 12293201/0 | 2 | Dado | Nut | Ecrou | Mutter | |
| 41 | 82004341/1 | 1 | Coltello Destro, Alettato | Right Blade, Winged | Lame Droite, Aillettee | Rechter Messer, Flügel | |
| 42 | 82004340/1 | 1 | Coltello Sinistro, Alettato | Left Blade, Winged | Lame Gauche, Aillettee | Linker Messer, Flügel | |
| 51 | 82000474/1 | 2 | Asta Bilanciere | Equalizer Rod | Tige Balancier | Kipphebel | |
| 52 | 25670008/1 | 8 | Rondella | Washer | Rondelle | Scheibe | |
| 53 | 12523060/0 | 2 | Rondella | Washer | Rondelle | Scheibe | |
| 54 | 12156602/0 | 4 | Dado | Nut | Ecrou | Mutter | |



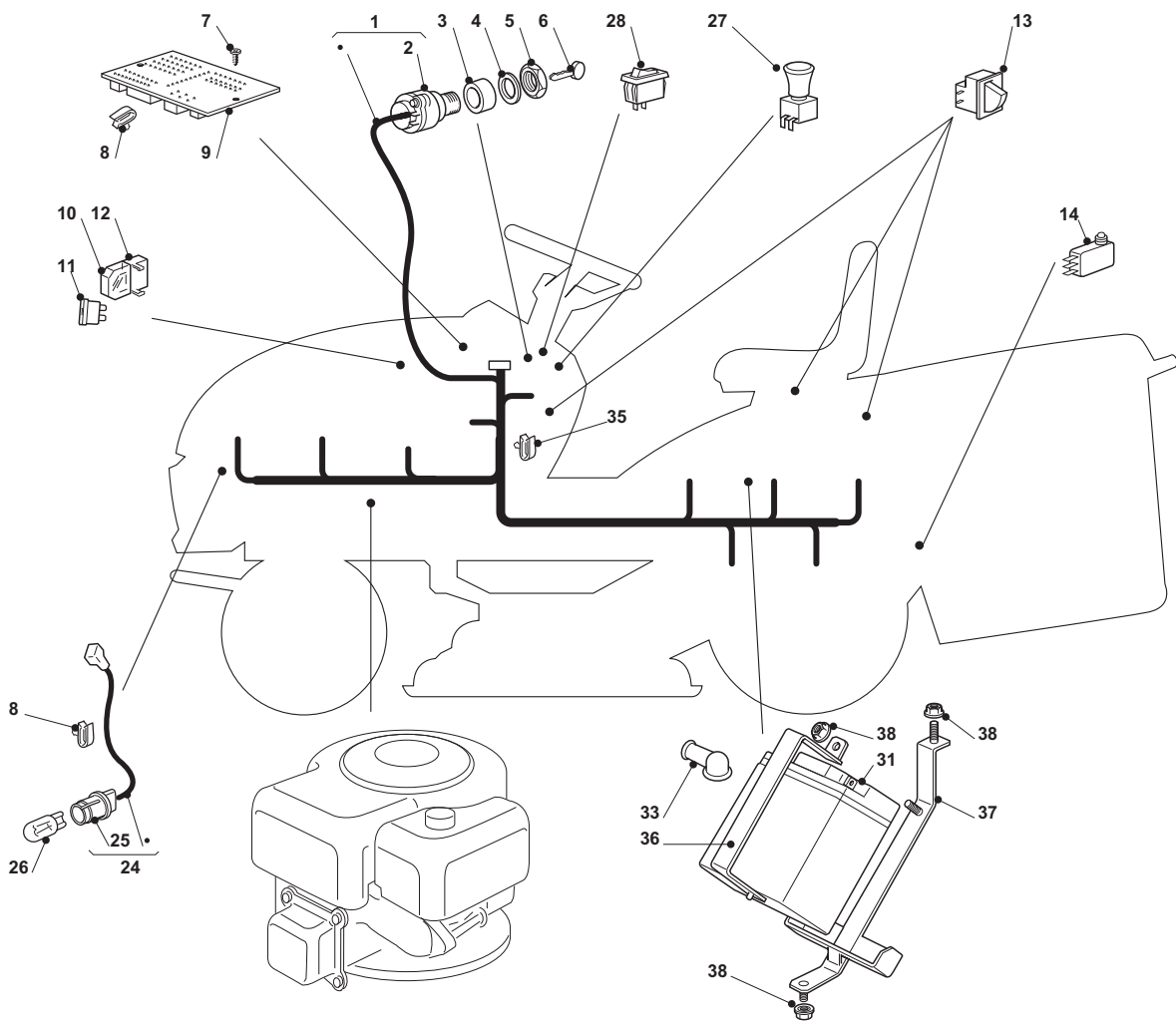
| Guards And Conveyor | | | | | | | |
|---------------------|-------------|------|--------------------|-----------------------|---------------------|-----------------|-------|
| POS | CODE | Q.TY | DESCRIZIONE | DESCRIPTION | DESCRIPTION | BESCHREIBUNG | NOTES |
| 1 | 25033060/0 | 2 | Attacco Tubo Acqua | Water Hose Connection | Raccord Tuyau D'Eau | Wasseranschluss | |
| 2 | 19035000/0 | 2 | Anello Or | O Ring | O Ring | O Ring | |
| 3 | 12500030/0 | 2 | Rivetto | Rivet | Rivet | Niet | |
| 4 | 25060104/0 | 1 | Carter Nero | Guard Black | Carter Noire | Blech Schwarz | |
| 5 | 25060105/0 | 1 | Carter Nero | Guard Black | Carter Noire | Blech Schwarz | |
| 6 | 12735403/0 | 4 | Vite | Screw | Vis | Schraube | |
| 7 | 25600049/0 | 1 | Protezione | Guard | Protection | Schutz | |
| 8 | 12735403/0 | 3 | Vite | Screw | Vis | Schraube | |
| 9 | 382108021/0 | 1 | Convogliatore | Conveyor | Convoyeur | Blechsatz | |
| 10 | 25774373/0 | 2 | Staffa | Clamp | Bride | Bride | |



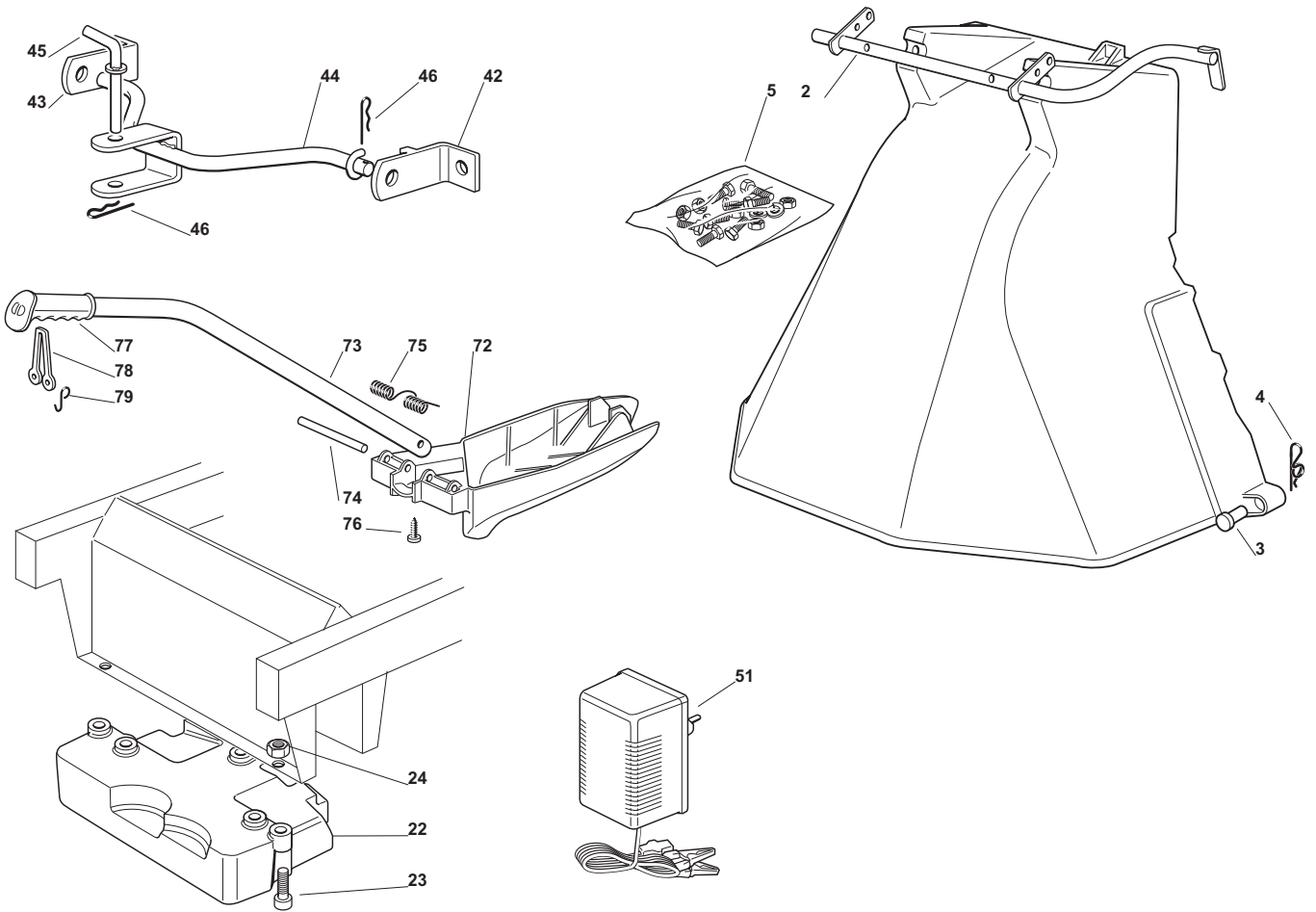
| Guards And Conveyor | | | | | | | |
|---------------------|-------------|------|--------------------|-----------------------|---------------------|-----------------|-------|
| POS | CODE | Q.TY | DESCRIZIONE | DESCRIPTION | DESCRIPTION | BESCHREIBUNG | NOTES |
| 1 | 25033060/0 | 2 | Attacco Tubo Acqua | Water Hose Connection | Raccord Tuyau D'Eau | Wasseranschluss | |
| 2 | 19035000/0 | 2 | Anello Or | O Ring | O Ring | O Ring | |
| 3 | 12500030/0 | 2 | Rivetto | Rivet | Rivet | Niet | |
| 7 | 25600049/0 | 1 | Protezione | Guard | Protection | Schutz | |
| 8 | 12735403/0 | 3 | Vite | Screw | Vis | Schraube | |
| 9 | 382108021/0 | 1 | Convogliatore | Conveyor | Convoyeur | Blechsatz | |
| 10 | 25774373/0 | 2 | Staffa | Clamp | Bride | Bride | |



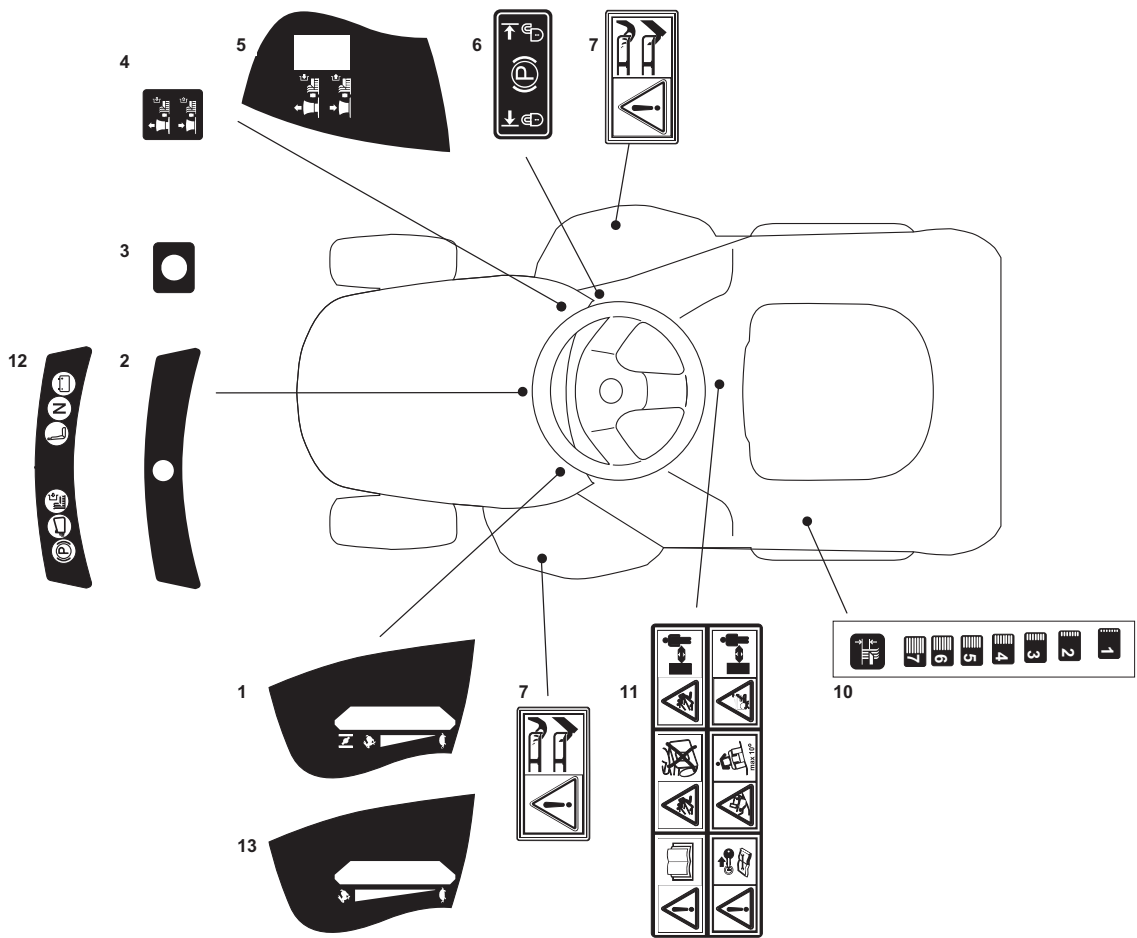
| Grasscatcher | | | | | | | |
|--------------|-------------|------|-------------------------|-----------------------------|----------------------|---------------------|-------|
| POS | CODE | Q.TY | DESCRIZIONE | DESCRIPTION | DESCRIPTION | BESCHREIBUNG | NOTES |
| 1 | 25785275/0 | 2 | Supporto | Support | Support | Halter | |
| 2 | 12818690/0 | 4 | Vite | Screw | Vis | Schraube | |
| 3 | 12293201/0 | 4 | Dado | Nut | Ecrou | Mutter | |
| 11 | 325755031/1 | 1 | Squadretta | Bracket | Equerre-Support | Winkel | |
| 12 | 12789000/0 | 1 | Vite | Screw | Vis | Schraube | |
| 12 | 12789000/0 | 1 | Vite | Screw | Vis | Schraube | |
| 13 | 325774315/1 | 1 | Staffa | Bracket | Etrier | Bride | |
| 14 | 125510080/1 | 1 | Perno | Pin | Pivot | Bolzen | |
| 15 | 12292102/0 | 1 | Dado | Nut | Ecrou | Mutter | |
| 16 | 22450432/0 | 1 | Molla | Spring | Ressort | Feder | |
| 17 | 12154330/0 | 1 | Dado | Nut | Ecrou | Mutter | |
| 21 | 82800111/0 | 1 | Telaio Bocca Sacco | Front Frame | Chassis Avant | Vorderrahmen | |
| 22 | 82105973/0 | 1 | Confezione Sacco | Grasscatcher | Bac | Sack | |
| 23 | 82394003/0 | 1 | Maniglia Anteriore | Front Handle | Poignee Anterieure | Vordergriff | |
| 24 | 82869023/0 | 1 | Tube | Rod | Tige | Stange | |
| 25 | 25394508/0 | 1 | Manopola | Handle | Poingee | Griff | |
| 26 | 82180048/0 | 1 | Dotazione Viteria | Screws Outfit | Ensemble Des Vis | Schraubenausrüstung | |
| 31 | 25110320/0 | 1 | Copertura Sacco, Rosso | Grass-Catcher Cover, Red | Couvre-Bac, Rouge | Sackkappe, Rot | |
| 31 | 25110342/0 | 1 | Copertura Sacco, Grigio | Grass-Catcher Cover, Grey | Couvre-Bac, Gris | Sackkappe, Grau | |
| 31 | 25110319/0 | 1 | Copertura Sacco, Giallo | Grass-Catcher Cover, Yellow | Couvre-Bac, Jaune | Sackkappe, Gelb | |
| 31 | 325110421/0 | 1 | Copertura Sacco, Bianco | Grass-Catcher Cover, White | Couvre-Bac, Blanc | Sackkappe, Weiß | |
| 31 | 325110413/0 | 1 | Copertura Sacco, Nero | Grass-Catcher Cover, Black | Couvre-Bac, Noire | Sackkappe, Schwarz | |
| 31 | 325110345/0 | 1 | Copertura Sacco, Verde | Grass-Catcher Cover, Green | Couvre-Bac, Vert | Sackkappe, Grün | |
| 41 | 25600041/0 | 1 | Protezione Micro | Micro Protection | Protection Micro | Schutz | |
| 42 | 25600042/0 | 1 | Coperchio Protezione | Protection Cover | Couvercle Protection | Schutzdeckel | |
| 43 | 25318124/0 | 1 | Leva | Lever | Levier | Hebel | |
| 44 | 12400030/0 | 1 | Perno | Pin | Pivot | Bolzen | |
| 45 | 25785272/0 | 1 | Protezione Micro | Micro Protection | Protection Micro | Schutz | |
| 46 | 12728510/0 | 1 | Vite | Screw | Vis | Schraube | |
| 47 | 25600048/0 | 1 | Chiusura Deflettore | Deflector Cover | Couvercle Deflecteur | Abweiserdekel | |
| 48 | 12735110/0 | 2 | Vite | Screw | Vis | Schraube | |



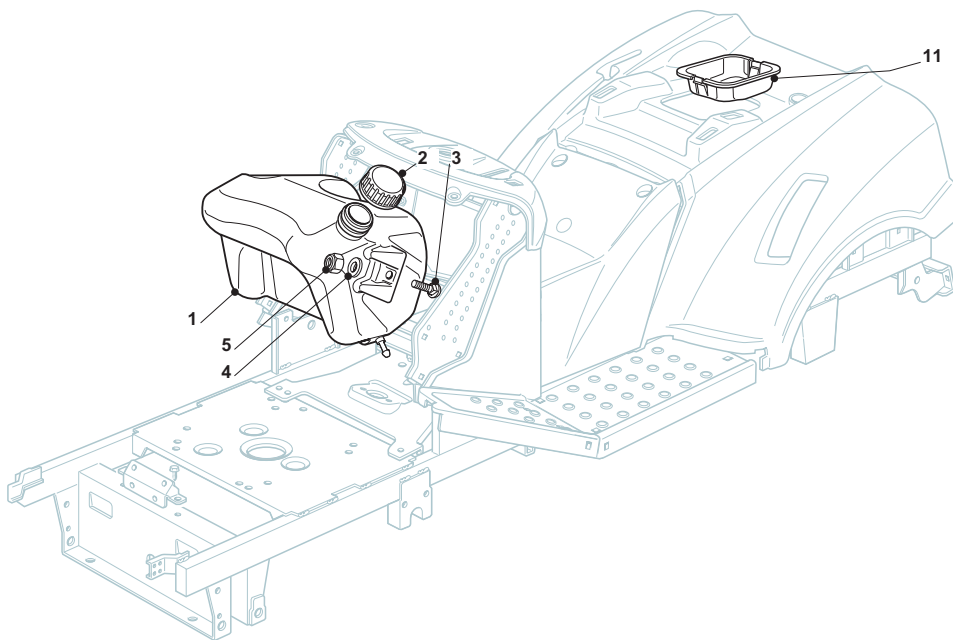
| Electrical Parts | | | | | | | |
|------------------|-------------|------|----------------------------|--------------------------|----------------------------|-----------------------------|--------------------------------------|
| POS | CODE | Q.TY | DESCRIZIONE | DESCRIPTION | DESCRIPTION | BESCHREIBUNG | NOTES |
| 1 | 182040153/0 | 1 | Cablaggio (B&S - GGP) | Cables Ass.Y (B&S - GGP) | Ens. Cablages (B&S - GGP) | Kabelsatz (B&S - GGP) | |
| 1 | 182040154/0 | 1 | Cablaggio (Honda) | Cables Ass.Y (Honda) | Ens. Cablages (Honda) | Kabelsatz (Honda) | |
| 2 | 18450072/0 | 1 | Interruttore Avviam. | Starting Switch | Interrupteur Demarr. | Schalter | |
| 3 | 18550136/0 | 1 | Distanziale | Spacer | Entretoise | Distanring | |
| 4 | 18550135/0 | 1 | Rondella | Washer | Rondelle | Scheibe | |
| 5 | 18400862/0 | 1 | Ghiera | Ringnut | Embout | Nutmutter | |
| 6 | 18210022/0 | 1 | Chiave Avviamento | Starting Key | Clef A Demarrage | Schlüssel Für Start | |
| 7 | 12727810/0 | 3 | Vite | Screw | Vis | Schraube | |
| 8 | 33320506/0 | 2 | Fermacavo | Fairlead | Fixation Cable | Kabelbefestigung | |
| 9 | 125722430/1 | 1 | Scheda Elettronica (1 Led) | Electronic Card (1 Led) | Carte Electronique (1 Led) | Elektronische Karte (1 Led) | |
| 9 | 125722431/0 | 1 | Scheda Elettronica (6 Led) | Electronic Card (6 Led) | Carte Electronique (6 Led) | Elektronische Karte (6 Led) | |
| 10 | 33215000/0 | 2 | Coperchio | Cover | Couvercle | Deckel | |
| 11 | 33340040/0 | 1 | Fusibile 10A | Fuse 10A | Fusible 10A | Sicherung 10A | |
| 11 | 33340036/0 | 1 | Fusibile 25 A | Fuse 25 A | Fusible 25 A | Sicherung 25 A | |
| 12 | 33500007/0 | 2 | Portafusibile | Fuse Carrier | Tableau De Fusible | Sicherunghalter | |
| 13 | 119410615/0 | 3 | Micro Interruttore | Microswitch | Microinterrupteur | Mikroschalter | |
| 14 | 19410605/1 | 1 | Micro Sacco Pieno | Full Grasscatc. Micro | Micro Bac Plein | Vollkorb Vorrichtung | |
| 24 | 82040073/0 | 1 | Cavo Fari | Cable | Cables | Kabel | use only on model NJX;NJS;NJU;NJA |
| 25 | 33500030/0 | 2 | Portalampane | Lamp Holder | Douille De Lampe | Scheinwerferlampe | |
| 26 | 18459100/0 | 2 | Lampada | Farilamp For Lights | Lampe Pour Phares | Lampenfassun | |
| 27 | 18450068/0 | 1 | Interruttore Frizione | Clutch Switch | Interrupteur Embrajage | Kupplung Schalter | |
| 28 | 18450060/1 | 1 | Interruttore Fari | Farilamp Switch | Interrupteur Phares | Lichten Schalter | |
| 31 | 18120002/1 | 1 | Batteria | Battery | Batterie | Batterie | |
| 33 | 18564861/1 | 1 | Cappuccio | Protection | Capuchon | Stecker | |
| 35 | 33320506/0 | 9 | Fermacavo | Fairlead | Fixation Cable | Kabelbefestigung | |
| 36 | 27772099/1 | 1 | Staffa | Clamp | Etrier | Bride | |
| 37 | 382785191/0 | 1 | Supporto Batteria | Battery Support | Support Batterie | Batterie Halter | |
| 38 | 12155000/0 | 3 | Dado | Nut | Ecrou | Mutter | |



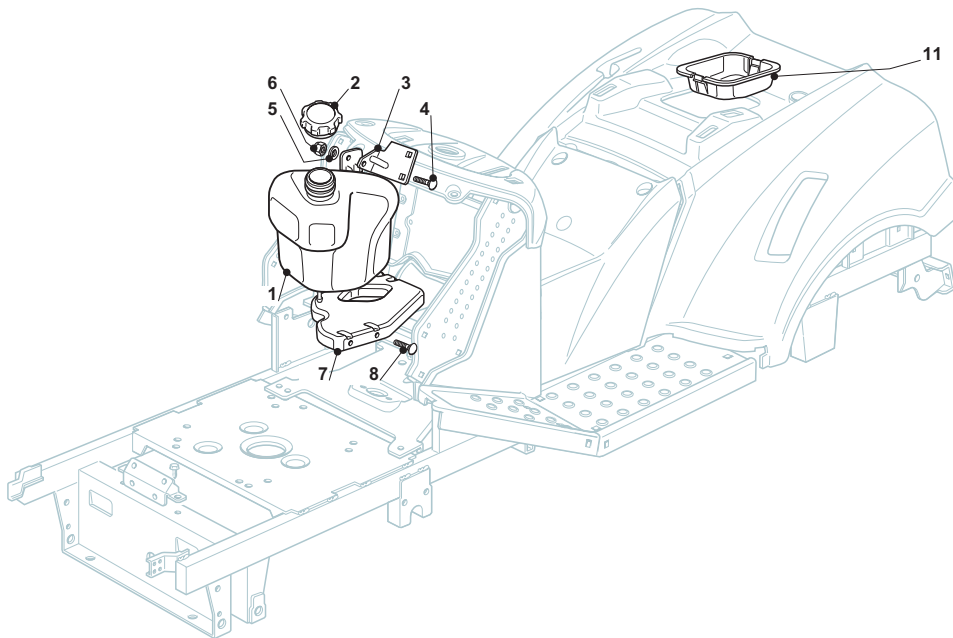
| Optionals On Request | | | | | | | |
|----------------------|-------------|------|---------------------------|-----------------------------|--------------------------------|-------------------------------|---------|
| POS | CODE | Q.TY | DESCRIZIONE | DESCRIPTION | DESCRIPTION | BESCHREIBUNG | NOTES |
| 2 | 82869035/0 | 1 | Tubo Di Aggancio | Support | Sopport | Halter | |
| 3 | 25510022/0 | 2 | Perno | Pin | Pivot | Bolzen | |
| 4 | 24487998/0 | 2 | Coppiglia | Cotter Pin | Goupille | Splint | |
| 5 | 82180062/0 | 1 | Dotazione Viteria | Screws Outfit | Ensemble Des Vis | Schraubenausrüstung | |
| 22 | 25519997/1 | 1 | Peso | Weight | Poids | Gewicht | |
| 23 | 12760520/0 | 3 | Vite | Screw | Vis | Schraube | |
| 24 | 12155000/0 | 3 | Dado | Nut | Ecrou | Mutter | |
| 42 | 82735502/0 | 1 | Staffa Supporto Traino Dx | Bracket Right Hitch Support | Etrier Support Trainage Droite | Buegel Halter Für Rechten Zug | |
| 43 | 25774213/0 | 1 | Staffa Supporto Traino Sx | Bracket Left Hitch Support | Etrier Support Trainage Gauche | Buegelhalter Für Linken Zug | |
| 44 | 382033117/0 | 1 | Barra | Rod | Barre | Stange | |
| 45 | 25510021/1 | 1 | Perno | Pin | Pivot | Bolzen | |
| 46 | 24487999/0 | 2 | Coppiglia | Cotter Pin | Goupille | Split | |
| 51 | 182180090/0 | 1 | Carica Batterie | Battery Charger | Chargeur De Batteries | Batterieladegerät | EU plug |
| 51 | 182180091/0 | 1 | Carica Batterie (U.K.) | Battery Charger (U.K.) | Chargeur De Batteries (U.K.) | Batterieladegerät (U.K.) | UK plug |
| 72 | 325140097/0 | 1 | Deflettore | Deflector | Deflecteur | Abweiser | |
| 73 | 25394005/0 | 1 | Manico | Handle | Guidon | Stiel | |
| 74 | 25510077/0 | 1 | Perno | Pin | Pivot | Bolzen | |
| 75 | 25430245/0 | 1 | Molla | Spring | Ressort | Feder | |
| 76 | 12735405/0 | 1 | Vite | Screw | Vis | Schraube | |
| 77 | 25280000/1 | 1 | Impugnatura | Handgrip | Branche | Griff | |
| 78 | 25840011/1 | 1 | Tirante In Gomma | Elastic Tie-Rod | Tirant Elastique | Elastische Zugstäbe | |
| 79 | 25253004/0 | 2 | Gancio | Hook | Crochet | Haken | |



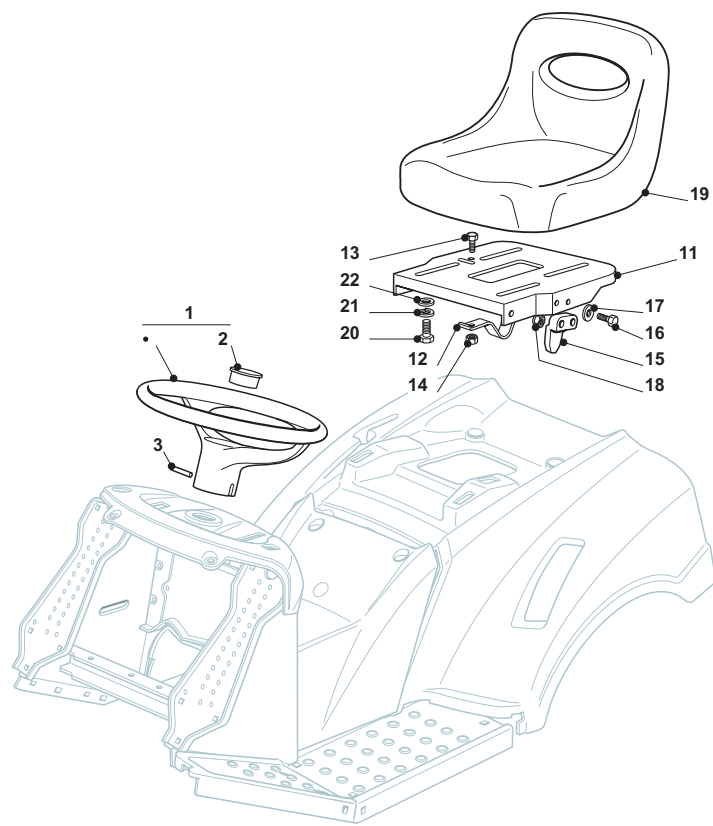
| Labels | | | | | | | |
|--------|-------------|------|-------------|-------------|-------------|--------------|---|
| POS | CODE | Q.TY | DESCRIZIONE | DESCRIPTION | DESCRIPTION | BESCHREIBUNG | NOTES |
| 1 | 14361440/0 | 1 | Etichetta | Label | Etiquette | Klebzettel | use only on model NJTP;NjX;NJS;NJU;NJA |
| 2 | 25420019/0 | 1 | Etichetta | Label | Etiquette | Klebzettel | for 1 led dashboard version |
| 3 | 25420018/0 | 1 | Etichetta | Label | Etiquette | Klebzettel | use only on model NJ;NJR;NJB |
| 4 | 14361438/0 | 1 | Etichetta | Label | Etiquette | Klebzettel | use only on model NJ;NJR;NJB |
| 5 | 14361439/0 | 1 | Etichetta | Label | Etiquette | Klebzettel | use only on model NJTP;NjX;NJS;NJU;NJA |
| 6 | 14361452/0 | 1 | Etichetta | Label | Etiquette | Klebzettel | |
| 7 | 114356699/1 | 2 | Etichetta | Label | Etiquette | Klebzettel | |
| 10 | 14361441/0 | 1 | Etichetta | Label | Etiquette | Klebzettel | |
| 11 | 14361553/0 | 1 | Etichetta | Label | Etiquette | Klebzettel | |
| 12 | 125420020/0 | 1 | Etichetta | Label | Etiquette | Klebzettel | for 6 led dashboard version |
| 13 | 114364616/0 | 1 | Etichetta | Label | Etiquette | Klebzettel | use only for model with Honda GXV 390 engine |



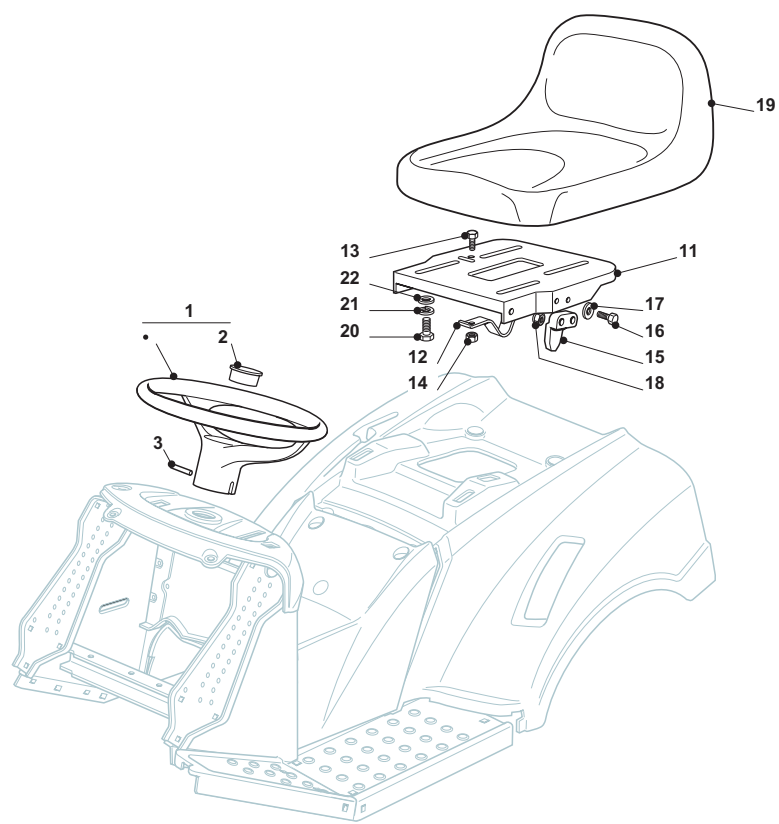
| Tank | | | | | | | |
|------|-------------|------|-------------|-------------|-------------|------------------|-------|
| POS | CODE | Q.TY | DESCRIZIONE | DESCRIPTION | DESCRIPTION | BESCHREIBUNG | NOTES |
| 1 | 325735128/0 | 1 | Serbatoio | Tank | Reservoir | Tank | |
| 2 | 25795000/1 | 1 | Tappo | Cap | Bouchon | Tankverschluss | |
| 3 | 12815210/0 | 2 | Vite | Screw | Vis | Schraube | |
| 4 | 325160039/0 | 2 | Distanziale | Spacer | Entretoise | Entfernungsstück | |
| 5 | 12154510/0 | 2 | Dado | Nut | Ecrou | Mutter | |
| 11 | 325207176/0 | 1 | Vaschetta | Basin | Cuvette | Wanne | |



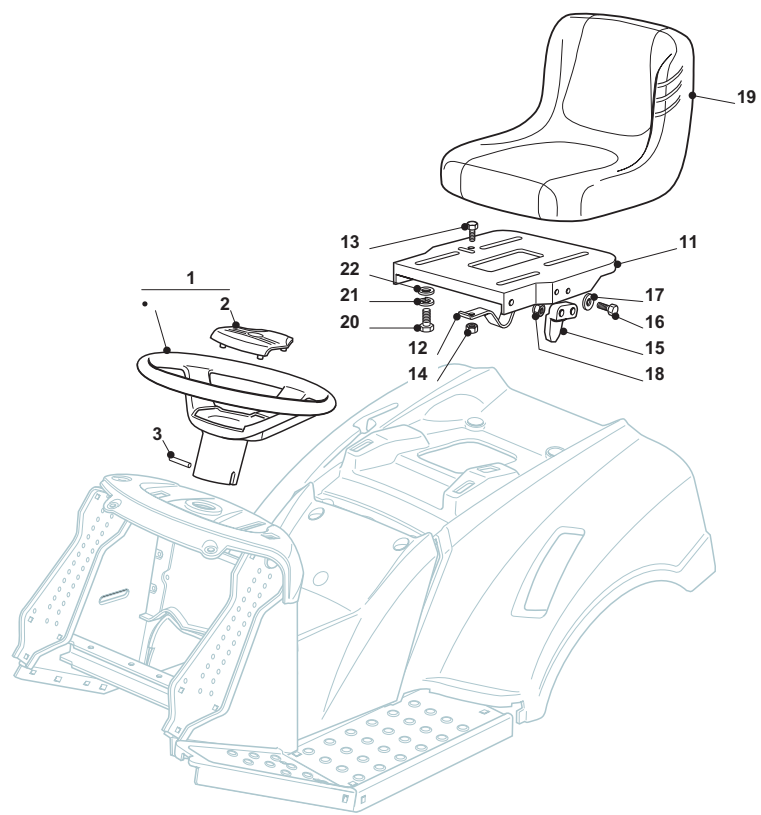
| Tank | | | | | | | |
|------|-------------|------|-----------------|-------------|-------------|----------------|-------|
| POS | CODE | Q.TY | DESCRIZIONE | DESCRIPTION | DESCRIPTION | BESCHREIBUNG | NOTES |
| 1 | 325735124/0 | 1 | Serbatoio | Tank | Reservoir | Tank | |
| 2 | 25795001/1 | 1 | Tappo Serbatoio | Cap | Bouchon | Tankverschluss | |
| 3 | 325785291/0 | 1 | Supporto | Support | Support | Halter | |
| 4 | 12789195/0 | 1 | Vite | Screw | Vis | Schraube | |
| 5 | 12581500/0 | 1 | Grower | Grower | Grower | Grower | |
| 6 | 12437503/0 | 1 | Piastrina | Plate | Plaque | Platte | |
| 7 | 325785289/0 | 1 | Supporto | Support | Support | Halter | |
| 8 | 12735403/0 | 4 | Vite | Screw | Vis | Schraube | |
| 11 | 325207176/0 | 1 | Vaschetta | Basin | Cuvette | Wanne | |



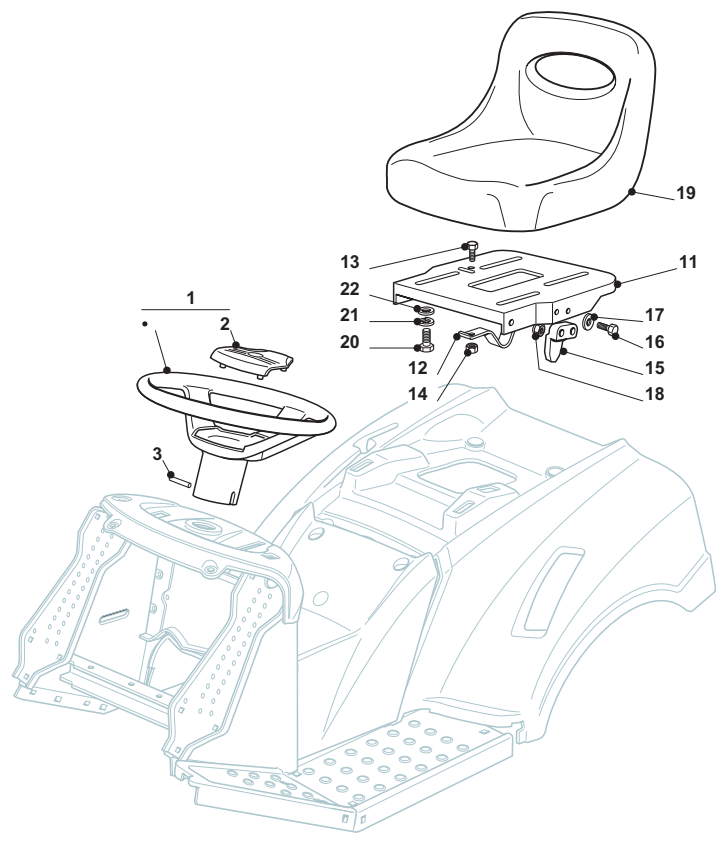
| Seat & Steering Wheel | | | | | | | |
|-----------------------|------------|------|-------------|----------------|-------------|--------------|-------|
| POS | CODE | Q.TY | DESCRIZIONE | DESCRIPTION | DESCRIPTION | BESCHREIBUNG | NOTES |
| 1 | 25961201/0 | 1 | Volante | Steering Wheel | Volant | Lenkrad | |
| 2 | 25120230/0 | 1 | Tappo | Cap | Bouchon | Stopfen | |
| 3 | 12620299/0 | 1 | Spina | Pin | Goupille | Stift | |
| 11 | 25547033/1 | 1 | Piastra | Plate | Plaque | Platte | |
| 12 | 25430223/2 | 1 | Molla | Spring | Ressort | Feder | |
| 13 | 12789000/0 | 1 | Vite | Screw | Vis | Schraube | |
| 14 | 12154330/0 | 1 | Dado | Nut | Ecrou | Mutter | |
| 15 | 27063021/1 | 1 | Camma | Cam | Came | Nocken | |
| 16 | 12789100/0 | 2 | Vite | Screw | Vis | Schraube | |
| 17 | 12523020/0 | 2 | Rosetta | Washer | Rondelle | Scheibe | |
| 18 | 12154330/0 | 2 | Dado | Nut | Ecrou | Mutter | |
| 19 | 25722453/1 | 1 | Sedile | Seat | Siege | Sitz | |
| 20 | 12793101/0 | 4 | Vite | Screw | Vis | Schraube | |
| 21 | 12583500/0 | 4 | Grower | Grower | Grower | Grower | |
| 22 | 12523060/0 | 4 | Rondella | Washer | Rondelle | Scheibe | |



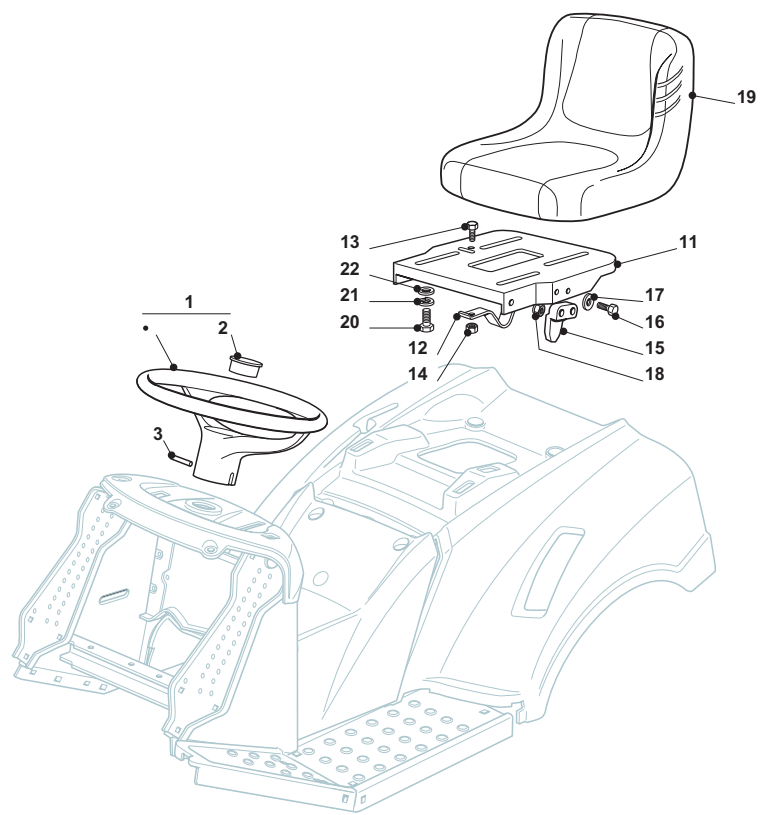
| Seat & Steering Wheel | | | | | | | |
|-----------------------|-------------|------|-------------|----------------|-------------|--------------|-------|
| POS | CODE | Q.TY | DESCRIZIONE | DESCRIPTION | DESCRIPTION | BESCHREIBUNG | NOTES |
| 1 | 25961201/0 | 1 | Volante | Steering Wheel | Volant | Lenkrad | |
| 2 | 25120230/0 | 1 | Tappo | Cap | Bouchon | Stopfen | |
| 3 | 12620299/0 | 1 | Spina | Pin | Goupille | Stift | |
| 11 | 25547033/1 | 1 | Piastra | Plate | Plaque | Platte | |
| 12 | 25430223/2 | 1 | Molla | Spring | Ressort | Feder | |
| 13 | 12789000/0 | 1 | Vite | Screw | Vis | Schraube | |
| 14 | 12154330/0 | 1 | Dado | Nut | Ecrou | Mutter | |
| 15 | 27063021/1 | 1 | Camma | Cam | Came | Nocken | |
| 16 | 12789100/0 | 2 | Vite | Screw | Vis | Schraube | |
| 17 | 12523020/0 | 2 | Rosetta | Washer | Rondelle | Scheibe | |
| 18 | 12154330/0 | 2 | Dado | Nut | Ecrou | Mutter | |
| 19 | 125722470/0 | 1 | Sedile | Seat | Siege | Sitz | |
| 20 | 12793101/0 | 4 | Vite | Screw | Vis | Schraube | |
| 21 | 12583500/0 | 4 | Grower | Grower | Grower | Grower | |
| 22 | 12523060/0 | 4 | Rondella | Washer | Rondelle | Scheibe | |



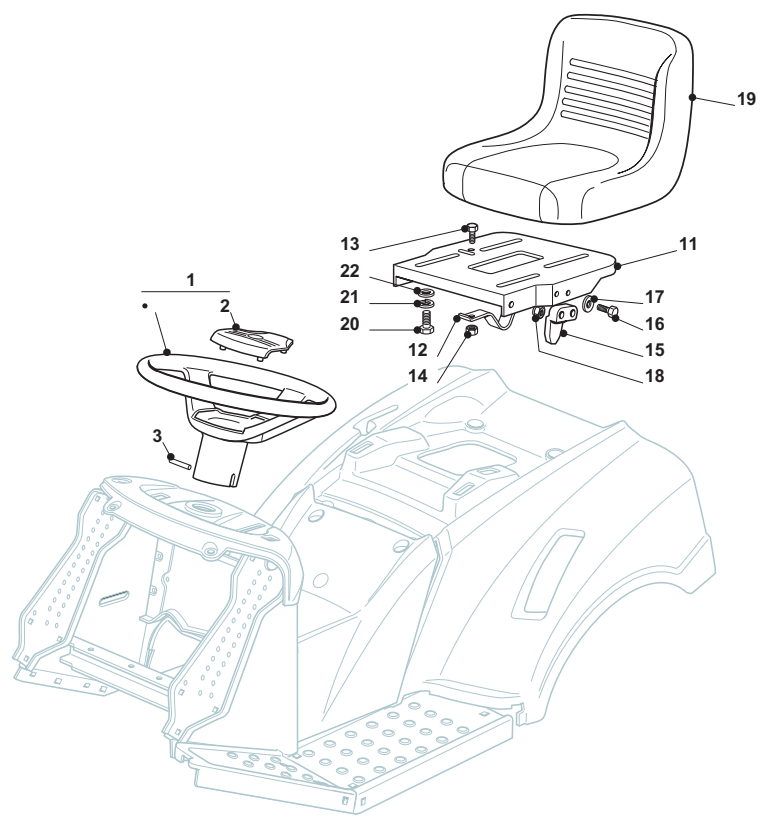
| Seat & Steering Wheel | | | | | | | |
|-----------------------|-------------|------|----------------|----------------------|---------------|-----------------|-------|
| POS | CODE | Q.TY | DESCRIZIONE | DESCRIPTION | DESCRIPTION | BESCHREIBUNG | NOTES |
| 1 | 25961212/0 | 1 | Volante,Grigio | Steering Wheel,Grey | Volant,Gris | Lenkrad,Grau | |
| 1 | 25961216/0 | 1 | Volante,Nero | Steering Wheel,Black | Volant,Noire | Lenkrad,Schwarz | |
| 2 | 325580500/0 | 1 | Tappo,Grigio | Cap,Grey | Bouchon,Gris | Stopfen,Grau | |
| 2 | 25580501/0 | 1 | Tappo,Nero | Cap,Black | Bouchon,Noire | Stopfen,Schwarz | |
| 2 | 325580500/0 | 1 | Tappo,Grigio | Cap | Bouchon,Gris | Stopfen,Grau | |
| 3 | 12620299/0 | 1 | Spina | Pin | Goupille | Stift | |
| 11 | 25547033/1 | 1 | Piastra | Plate | Plaque | Platte | |
| 12 | 25430223/2 | 1 | Molla | Spring | Ressort | Feder | |
| 13 | 12789000/0 | 1 | Vite | Screw | Vis | Schraube | |
| 14 | 12154330/0 | 1 | Dado | Nut | Ecrou | Mutter | |
| 15 | 27063021/1 | 1 | Camma | Cam | Came | Nocken | |
| 16 | 12789100/0 | 2 | Vite | Screw | Vis | Schraube | |
| 17 | 12523020/0 | 2 | Rosetta | Washer | Rondelle | Scheibe | |
| 18 | 12154330/0 | 2 | Dado | Nut | Ecrou | Mutter | |
| 19 | 25722463/0 | 1 | Sedile | Seat | Siege | Sitz | |
| 20 | 12793101/0 | 4 | Vite | Screw | Vis | Schraube | |
| 21 | 12583500/0 | 4 | Grower | Grower | Grower | Grower | |
| 22 | 12523060/0 | 4 | Rondella | Washer | Rondelle | Scheibe | |



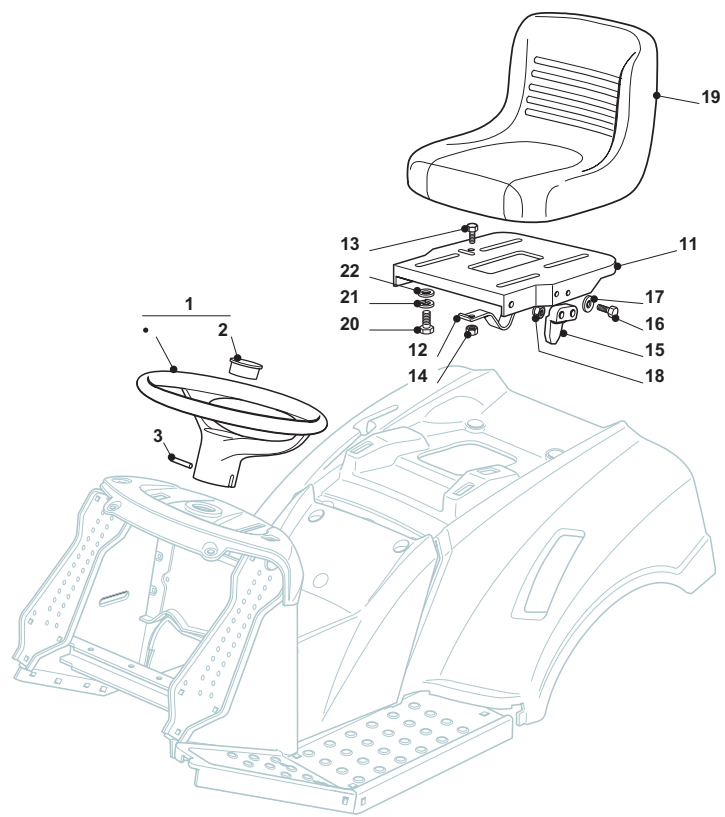
| Seat & Steering Wheel | | | | | | | |
|-----------------------|-------------|------|----------------|----------------|--------------|--------------|-------|
| POS | CODE | Q.TY | DESCRIZIONE | DESCRIPTION | DESCRIPTION | BESCHREIBUNG | NOTES |
| 1 | 25961212/0 | 1 | Volante,Grigio | Steering Wheel | Volant,Gris | Lenkrad,Grau | |
| 2 | 325580500/0 | 1 | Tappo,Grigio | Cap | Bouchon,Gris | Stopfen,Grau | |
| 3 | 12620299/0 | 1 | Spina | Pin | Goupille | Stift | |
| 11 | 25547033/1 | 1 | Piastra | Plate | Plaque | Platte | |
| 12 | 25430223/2 | 1 | Molla | Spring | Ressort | Feder | |
| 13 | 12789000/0 | 1 | Vite | Screw | Vis | Schraube | |
| 14 | 12154330/0 | 1 | Dado | Nut | Ecrou | Mutter | |
| 15 | 27063021/1 | 1 | Camma | Cam | Came | Nocken | |
| 16 | 12789100/0 | 2 | Vite | Screw | Vis | Schraube | |
| 17 | 12523020/0 | 2 | Rosetta | Washer | Rondelle | Scheibe | |
| 18 | 12154330/0 | 2 | Dado | Nut | Ecrou | Mutter | |
| 19 | 25722453/1 | 1 | Sedile | Seat | Siege | Sitz | |
| 20 | 12793101/0 | 4 | Vite | Screw | Vis | Schraube | |
| 21 | 12583500/0 | 4 | Grower | Grower | Grower | Grower | |
| 22 | 12523060/0 | 4 | Rondella | Washer | Rondelle | Scheibe | |



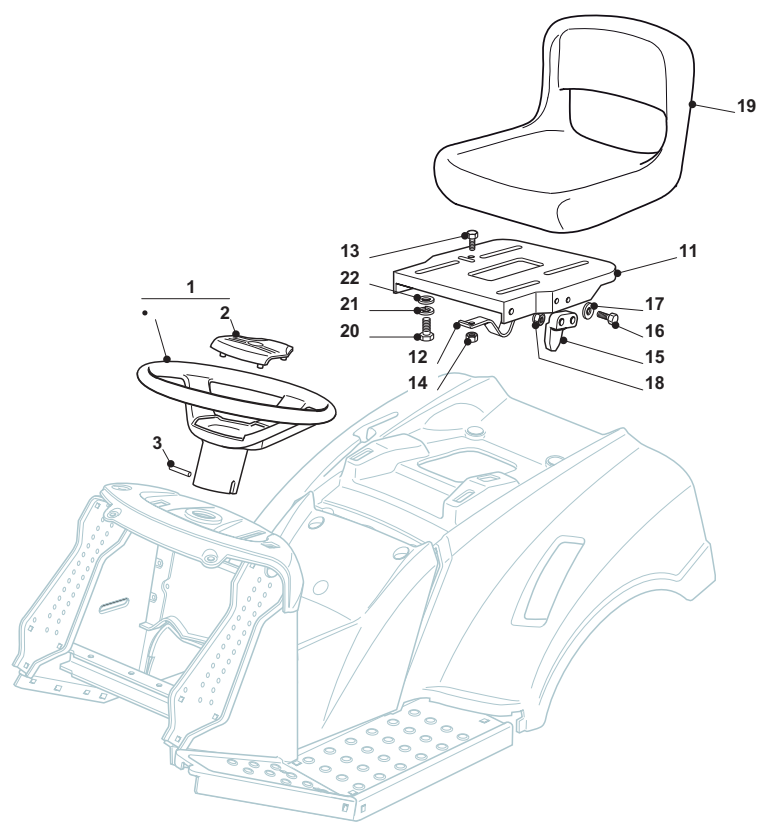
| Seat & Steering Wheel | | | | | | | |
|-----------------------|------------|------|-------------|----------------|-------------|--------------|-------|
| POS | CODE | Q.TY | DESCRIZIONE | DESCRIPTION | DESCRIPTION | BESCHREIBUNG | NOTES |
| 1 | 25961201/0 | 1 | Volante | Steering Wheel | Volant | Lenkrad | |
| 2 | 25120230/0 | 1 | Tappo | Cap | Bouchon | Stopfen | |
| 3 | 12620299/0 | 1 | Spina | Pin | Goupille | Stift | |
| 11 | 25547033/1 | 1 | Piastra | Plate | Plaque | Platte | |
| 12 | 25430223/2 | 1 | Molla | Spring | Ressort | Feder | |
| 13 | 12789000/0 | 1 | Vite | Screw | Vis | Schraube | |
| 14 | 12154330/0 | 1 | Dado | Nut | Ecrou | Mutter | |
| 15 | 27063021/1 | 1 | Camma | Cam | Came | Nocken | |
| 16 | 12789100/0 | 2 | Vite | Screw | Vis | Schraube | |
| 17 | 12523020/0 | 2 | Rosetta | Washer | Rondelle | Scheibe | |
| 18 | 12154330/0 | 2 | Dado | Nut | Ecrou | Mutter | |
| 19 | 25722463/0 | 1 | Sedile | Seat | Siege | Sitz | |
| 20 | 12793101/0 | 4 | Vite | Screw | Vis | Schraube | |
| 21 | 12583500/0 | 4 | Grower | Grower | Grower | Grower | |
| 22 | 12523060/0 | 4 | Rondella | Washer | Rondelle | Scheibe | |



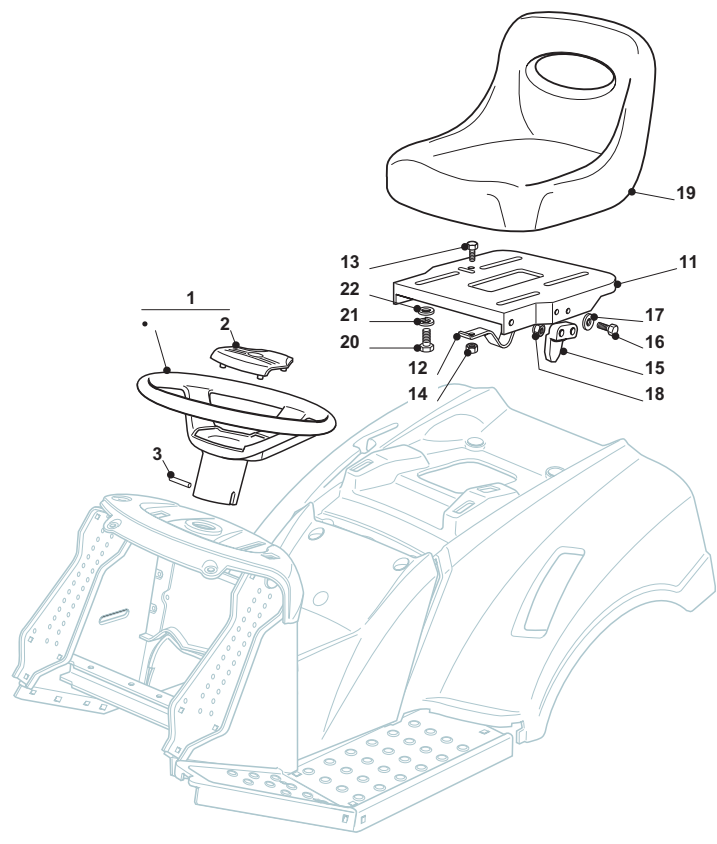
| Seat & Steering Wheel | | | | | | | |
|-----------------------|-------------|------|--------------|----------------|---------------|-----------------|-------|
| POS | CODE | Q.TY | DESCRIZIONE | DESCRIPTION | DESCRIPTION | BESCHREIBUNG | NOTES |
| 1 | 25961216/0 | 1 | Volante,Nero | Steering Wheel | Volant,Noire | Lenkrad,Schwarz | |
| 2 | 25580501/0 | 1 | Tappo,Nero | Cap | Bouchon,Noire | Stopfen,Schwarz | |
| 3 | 12620299/0 | 1 | Spina | Pin | Goupille | Stift | |
| 11 | 25547033/1 | 1 | Piastra | Plate | Plaque | Platte | |
| 12 | 25430223/2 | 1 | Molla | Spring | Ressort | Feder | |
| 13 | 12789000/0 | 1 | Vite | Screw | Vis | Schraube | |
| 14 | 12154330/0 | 1 | Dado | Nut | Ecrou | Mutter | |
| 15 | 27063021/1 | 1 | Camma | Cam | Came | Nocken | |
| 16 | 12789100/0 | 2 | Vite | Screw | Vis | Schraube | |
| 17 | 12523020/0 | 2 | Rosetta | Washer | Rondelle | Scheibe | |
| 18 | 12154330/0 | 2 | Dado | Nut | Ecrou | Mutter | |
| 19 | 125722471/0 | 1 | Sedile | Seat | Siege | Sitz | |
| 20 | 12793101/0 | 4 | Vite | Screw | Vis | Schraube | |
| 21 | 12583500/0 | 4 | Grower | Grower | Grower | Grower | |
| 22 | 12523060/0 | 4 | Rondella | Washer | Rondelle | Scheibe | |



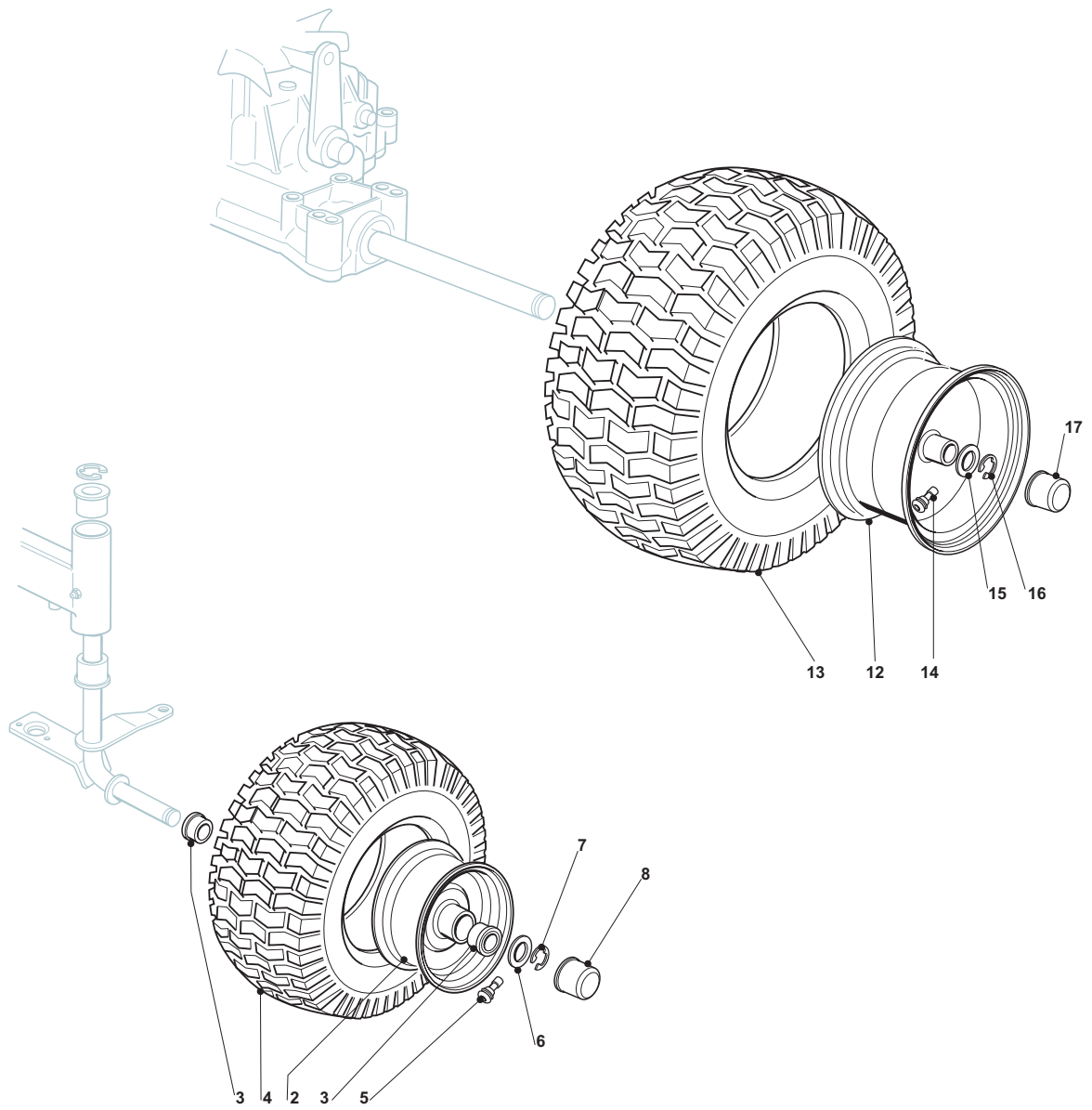
| Seat & Steering Wheel | | | | | | | |
|-----------------------|-------------|------|-------------|----------------|-------------|--------------|-------|
| POS | CODE | Q.TY | DESCRIZIONE | DESCRIPTION | DESCRIPTION | BESCHREIBUNG | NOTES |
| 1 | 25961201/0 | 1 | Volante | Steering Wheel | Volant | Lenkrad | |
| 2 | 25120230/0 | 1 | Tappo | Cap | Bouchon | Stopfen | |
| 3 | 12620299/0 | 1 | Spina | Pin | Goupille | Stift | |
| 11 | 25547033/1 | 1 | Piastra | Plate | Plaque | Platte | |
| 12 | 25430223/2 | 1 | Molla | Spring | Ressort | Feder | |
| 13 | 12789000/0 | 1 | Vite | Screw | Vis | Schraube | |
| 14 | 12154330/0 | 1 | Dado | Nut | Ecrou | Mutter | |
| 15 | 27063021/1 | 1 | Camma | Cam | Came | Nocken | |
| 16 | 12789100/0 | 2 | Vite | Screw | Vis | Schraube | |
| 17 | 12523020/0 | 2 | Rosetta | Washer | Rondelle | Scheibe | |
| 18 | 12154330/0 | 2 | Dado | Nut | Ecrou | Mutter | |
| 19 | 125722471/0 | 1 | Sedile | Seat | Siege | Sitz | |
| 20 | 12793101/0 | 4 | Vite | Screw | Vis | Schraube | |
| 21 | 12583500/0 | 4 | Grower | Grower | Grower | Grower | |
| 22 | 12523060/0 | 4 | Rondella | Washer | Rondelle | Scheibe | |



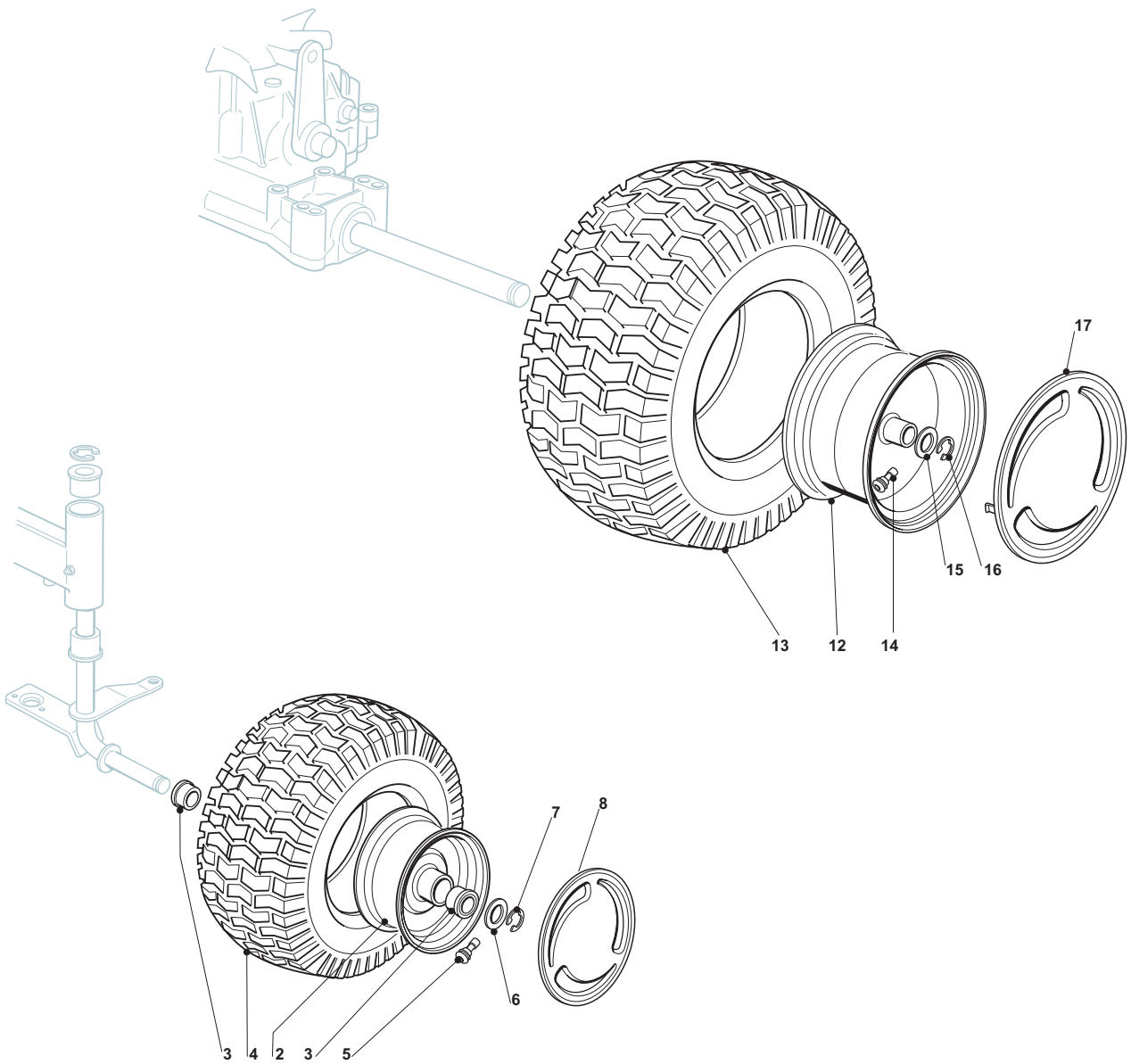
| Seat & Steering Wheel | | | | | | | |
|-----------------------|------------|------|-------------|----------------|---------------|-----------------|-------|
| POS | CODE | Q.TY | DESCRIZIONE | DESCRIPTION | DESCRIPTION | BESCHREIBUNG | NOTES |
| 1 | 25961209/0 | 1 | Volante | Steering Wheel | Volant | Lenkrad | |
| 2 | 25580501/0 | 1 | Tappo,Nero | Cap | Bouchon,Noire | Stopfen,Schwarz | |
| 3 | 12620299/0 | 1 | Spina | Pin | Goupille | Stift | |
| 11 | 25547033/1 | 1 | Piastra | Plate | Plaque | Platte | |
| 12 | 25430223/2 | 1 | Molla | Spring | Ressort | Feder | |
| 13 | 12789000/0 | 1 | Vite | Screw | Vis | Schraube | |
| 14 | 12154330/0 | 1 | Dado | Nut | Ecrou | Mutter | |
| 15 | 27063021/1 | 1 | Camma | Cam | Came | Nocken | |
| 16 | 12789100/0 | 2 | Vite | Screw | Vis | Schraube | |
| 17 | 12523020/0 | 2 | Rosetta | Washer | Rondelle | Scheibe | |
| 18 | 12154330/0 | 2 | Dado | Nut | Ecrou | Mutter | |
| 19 | 25722456/0 | 1 | Sedile | Seat | Siege | Sitz | |
| 20 | 12793101/0 | 4 | Vite | Screw | Vis | Schraube | |
| 21 | 12583500/0 | 4 | Grower | Grower | Grower | Grower | |
| 22 | 12523060/0 | 4 | Rondella | Washer | Rondelle | Scheibe | |



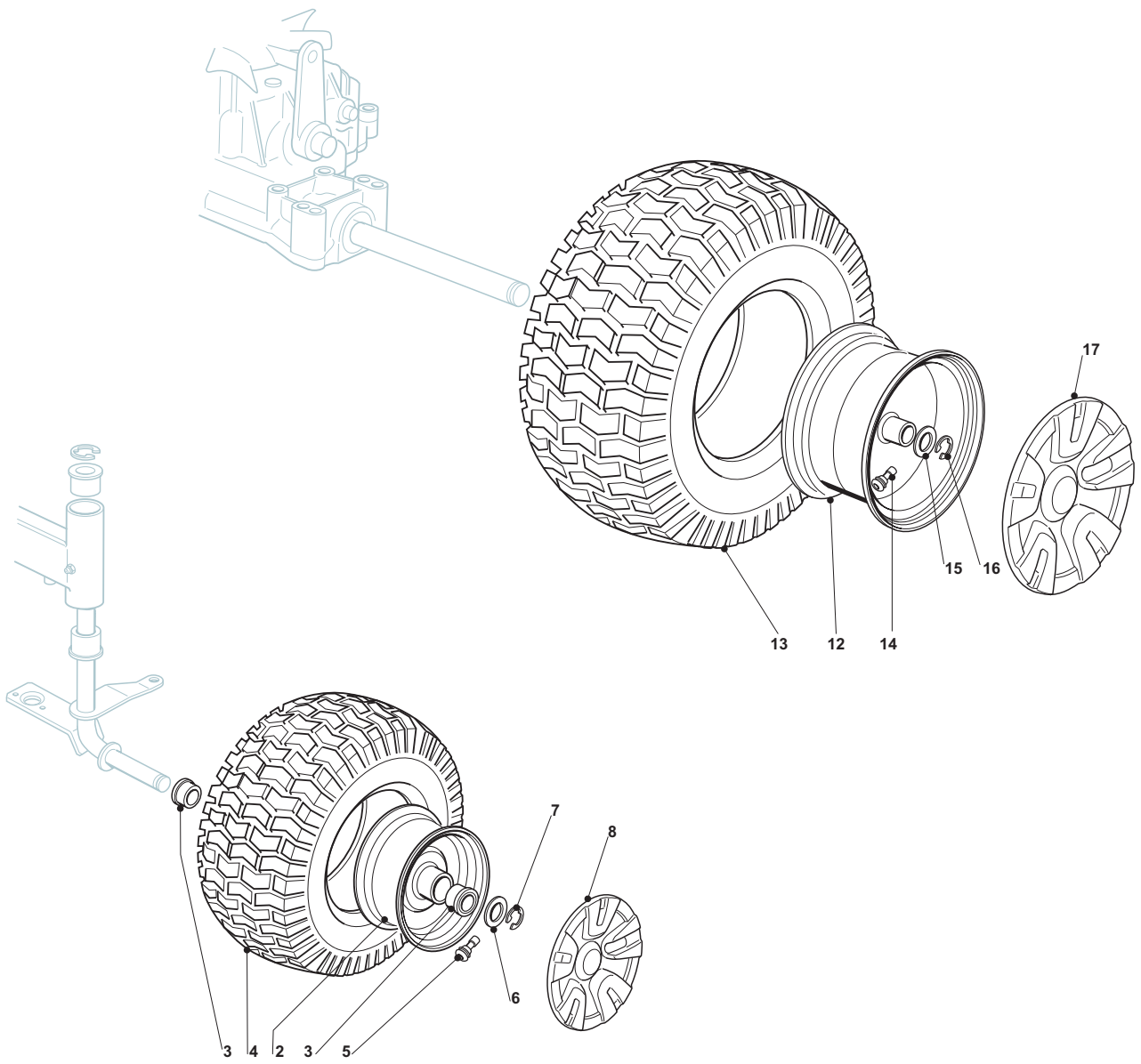
| Seat & Steering Wheel | | | | | | | |
|-----------------------|------------|------|--------------|----------------|---------------|-----------------|-------|
| POS | CODE | Q.TY | DESCRIZIONE | DESCRIPTION | DESCRIPTION | BESCHREIBUNG | NOTES |
| 1 | 25961216/0 | 1 | Volante,Nero | Steering Wheel | Volant,Noire | Lenkrad,Schwarz | |
| 2 | 25580501/0 | 1 | Tappo,Nero | Cap | Bouchon,Noire | Stopfen,Schwarz | |
| 3 | 12620299/0 | 1 | Spina | Pin | Goupille | Stift | |
| 11 | 25547033/1 | 1 | Piastra | Plate | Plaque | Platte | |
| 12 | 25430223/2 | 1 | Molla | Spring | Ressort | Feder | |
| 13 | 12789000/0 | 1 | Vite | Screw | Vis | Schraube | |
| 14 | 12154330/0 | 1 | Dado | Nut | Ecrou | Mutter | |
| 15 | 27063021/1 | 1 | Camma | Cam | Came | Nocken | |
| 16 | 12789100/0 | 2 | Vite | Screw | Vis | Schraube | |
| 17 | 12523020/0 | 2 | Rosetta | Washer | Rondelle | Scheibe | |
| 18 | 12154330/0 | 2 | Dado | Nut | Ecrou | Mutter | |
| 19 | 25722453/1 | 1 | Sedile | Seat | Siege | Sitz | |
| 20 | 12793101/0 | 4 | Vite | Screw | Vis | Schraube | |
| 21 | 12583500/0 | 4 | Grower | Grower | Grower | Grower | |
| 22 | 12523060/0 | 4 | Rondella | Washer | Rondelle | Scheibe | |



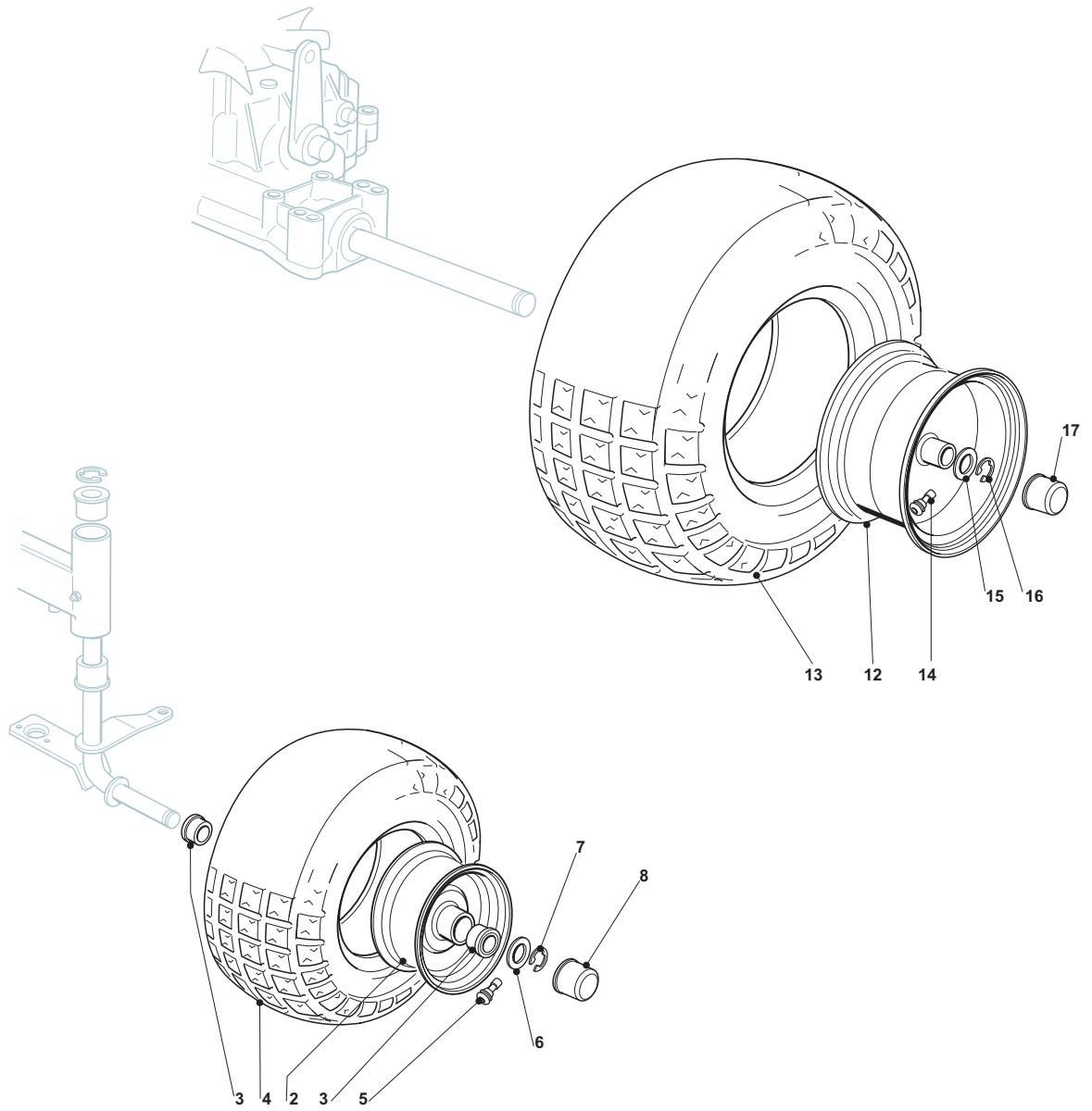
| Wheels | | | | | | | |
|--------|-------------|------|-----------------|-------------|----------------|-------------------|-------|
| POS | CODE | Q.TY | DESCRIZIONE | DESCRIPTION | DESCRIPTION | BESCHREIBUNG | NOTES |
| 2 | 182000598/0 | 2 | Cerchio Ruota | Rimm | Bandage Roue | Vorderrad Felger | |
| 3 | 25122200/2 | 4 | Cuscinetto | Bearing | Roulement | Lager | |
| 4 | 125590014/0 | 2 | Pneumatico 13 " | Tyre 13 " | Pneu 13 " | Reifen 13 " | |
| 4 | 127590066/0 | 2 | Pneumatico 15" | Tyre 15" | Pneu 15" | Reifen 15" | |
| 5 | 25950000/0 | 2 | Valvola | Valve | Soupape | Ventil | |
| 6 | 25670005/1 | 2 | Rosetta | Washer | Rondelle | Scheibe | |
| 7 | 12001000/0 | 2 | Anello Elastico | Snap Ring | Anneau Ressort | Sprengring | |
| 8 | 22110230/0 | 2 | Coprimezzo | Hub Cover | Couvre Moyeu | Nabendeckel | |
| 12 | 182000599/0 | 2 | Cerchio Ruota | Rimm | Bandage Roue | Hintrerrad Felger | |
| 13 | 125590015/0 | 2 | Pneumatico | Shoe | Pneu | Reifen | |
| 14 | 25950000/0 | 2 | Valvola | Valve | Soupape | Ventil | |
| 15 | 25670005/1 | 2 | Rosetta | Washer | Rondelle | Scheibe | |
| 16 | 12001010/0 | 2 | Anello Elastico | Snap Ring | Anneau Ressort | Sprengring | |
| 17 | 22110230/0 | 2 | Coprimezzo | Hub Cover | Couvre Moyeu | Nabendeckel | |



| Wheels | | | | | | | |
|--------|-------------|------|-------------------|-----------------|-------------------|-------------------|-------|
| POS | CODE | Q.TY | DESCRIZIONE | DESCRIPTION | DESCRIPTION | BESCHREIBUNG | NOTES |
| 2 | 182000598/0 | 2 | Cerchio Ruota | Rimm | Bandage Roue | Vorderrad Felger | |
| 3 | 25122200/2 | 4 | Cuscinetto | Bearing | Roulement | Lager | |
| 4 | 125590014/0 | 2 | Pneumatico 13 " | Tyre 13 " | Pneu 13 " | Reifen 13 " | |
| 4 | 127590066/0 | 2 | Pneumatico 15" | Tyre 15" | Pneu 15" | Reifen 15" | |
| 5 | 25950000/0 | 2 | Valvola | Valve | Soupape | Ventil | |
| 6 | 25670005/1 | 2 | Rosetta | Washer | Rondelle | Scheibe | |
| 7 | 12001000/0 | 2 | Anello Elastico | Snap Ring | Anneau Ressort | Sprengring | |
| 8 | 82110252/0 | 2 | Coprinozzo | Hub Cover | Couvre Moyeu | Nabendeckel | |
| 12 | 182000599/0 | 2 | Cerchio Ruota | Rimm | Bandage Roue | Hintrerrad Felger | |
| 13 | 125590015/0 | 2 | Pneumatico | Shoe | Pneu | Reifen | |
| 14 | 25950000/0 | 2 | Valvola | Valve | Soupape | Ventil | |
| 15 | 25670005/1 | 2 | Rosetta | Washer | Rondelle | Scheibe | |
| 16 | 12001010/0 | 2 | Anello Elastico | Snap Ring | Anneau Ressort | Sprengring | |
| 17 | 82110253/0 | 2 | Copri ruota Post. | Rear Wheel Deck | Couvre Roue Post. | Hinterraddeckel | |



| Wheels | | | | | | | |
|--------|-------------|------|-------------------|-----------------|-------------------|-------------------|-------|
| POS | CODE | Q.TY | DESCRIZIONE | DESCRIPTION | DESCRIPTION | BESCHREIBUNG | NOTES |
| 2 | 182000598/0 | 2 | Cerchio Ruota | Rimm | Bandage Roue | Vorderrad Felger | |
| 3 | 25122200/2 | 4 | Cuscinetto | Bearing | Roulement | Lager | |
| 4 | 125590014/0 | 2 | Pneumatico 13 " | Tyre 13 " | Pneu 13 " | Reifen 13 " | |
| 4 | 127590066/0 | 2 | Pneumatico 15" | Tyre 15" | Pneu 15" | Reifen 15" | |
| 5 | 25950000/0 | 2 | Valvola | Valve | Soupape | Ventil | |
| 6 | 25670005/1 | 2 | Rosetta | Washer | Rondelle | Scheibe | |
| 7 | 12001000/0 | 2 | Anello Elastico | Snap Ring | Anneau Ressort | Sprengring | |
| 8 | 82110274/0 | 2 | Coprinozzo | Hub Cover | Couvre Moyeu | Nabendeckel | |
| 12 | 182000599/0 | 2 | Cerchio Ruota | Rimm | Bandage Roue | Hintrerrad Felger | |
| 13 | 125590015/0 | 2 | Pneumatico | Shoe | Pneu | Reifen | |
| 14 | 25950000/0 | 2 | Valvola | Valve | Soupape | Ventil | |
| 15 | 25670005/1 | 2 | Rosetta | Washer | Rondelle | Scheibe | |
| 16 | 12001010/0 | 2 | Anello Elastico | Snap Ring | Anneau Ressort | Sprengring | |
| 17 | 82110275/0 | 2 | Copri ruota Post. | Rear Wheel Deck | Couvre Roue Post. | Hinterraddeckel | |



| Wheels | | | | | | | |
|--------|-------------|------|-----------------|-------------|----------------|------------------|-------|
| POS | CODE | Q.TY | DESCRIZIONE | DESCRIPTION | DESCRIPTION | BESCHREIBUNG | NOTES |
| 2 | 82000590/1 | 2 | Cerchio Ruota | Rimm | Bandage Roue | Vorderrad Felger | |
| 3 | 25122200/2 | 4 | Cuscinetto | Bearing | Roulement | Lager | |
| 4 | 125590020/0 | 2 | Pneumatico 15" | Tyre 15" | Pneu 15" | Reifen 15" | |
| 5 | 25950000/0 | 2 | Valvola | Valve | Soupape | Ventil | |
| 6 | 25670005/1 | 2 | Rosetta | Washer | Rondelle | Scheibe | |
| 7 | 12001000/0 | 2 | Anello Elastico | Snap Ring | Anneau Ressort | Sprengring | |
| 8 | 22110230/0 | 2 | Coprimezzo | Hub Cover | Couvre Moyeu | Nabendeckel | |
| 12 | 82000592/0 | 2 | Cerchio Ruota | Rimm | Bandage Roue | Hinterrad Felger | |
| 13 | 125590022/0 | 2 | Pneumatico | Tyre | Pneu | Reifen | |
| 14 | 25950000/0 | 2 | Valvola | Valve | Soupape | Ventil | |
| 15 | 25670005/1 | 2 | Rosetta | Washer | Rondelle | Scheibe | |
| 16 | 12001010/0 | 2 | Anello Elastico | Snap Ring | Anneau Ressort | Sprengring | |
| 17 | 22110230/0 | 2 | Coprimezzo | Hub Cover | Couvre Moyeu | Nabendeckel | |