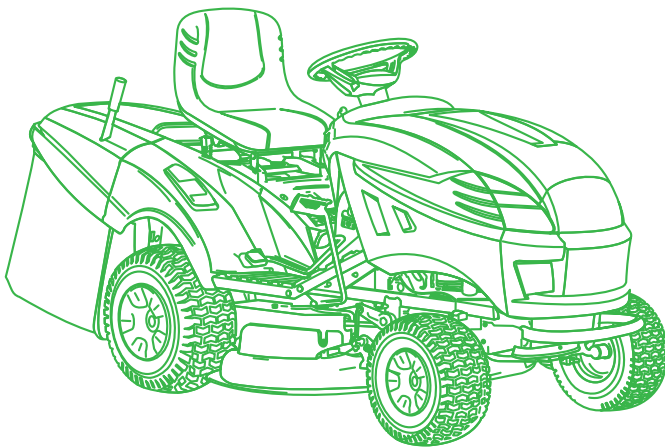


ILLUSTRATED PARTS LIST

NJS 92



- Use GLOBAL GARDEN PRODUCT Genuine Spare Parts specified in the parts list for repair and/or replacement.
- The contents described in the parts list may change due to improvement.
- The drawings of the spare parts are only indicative and might not represent the part in question exactly.
- The indications "right" - "left" - "front" - "rear" refer to the position of the operator when using the machine.
- When placing orders of parts for repair and/or replacement, make sure that the illustrated parts list is the one applying to the machine's year of manufacture, as shown on the identification plate attached to the machine.

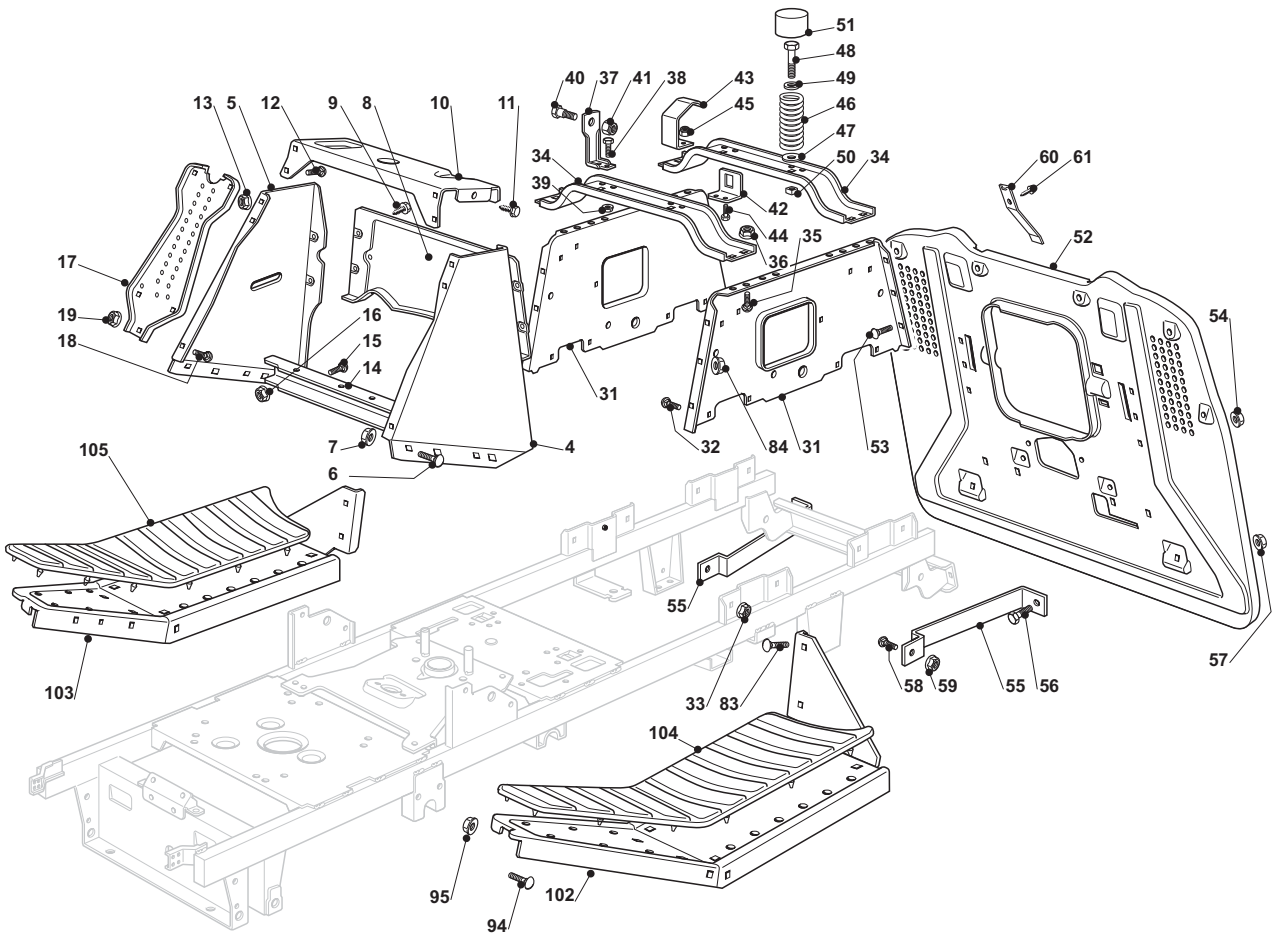
© Copyright 2012 Global Garden Products

All content is subject to copyright by Global Garden Products and may not be reproduced in whole or in part by any means, electronic or otherwise, without prior written approval.

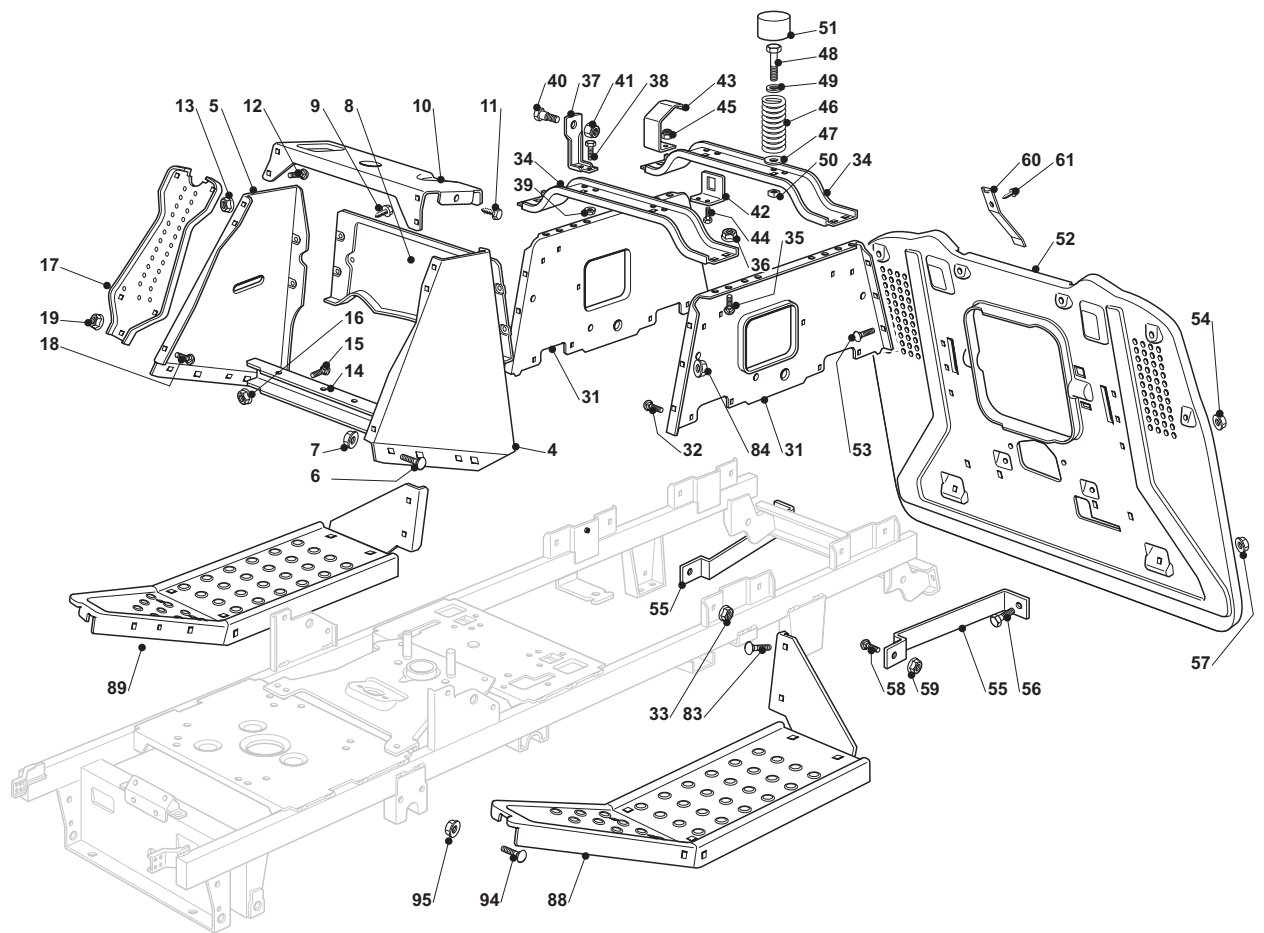
THIS INFORMATION IS NOT INTENDED FOR SALE OR RESALE, AND THIS NOTICE MUST REMAIN ON ALL COPIES.



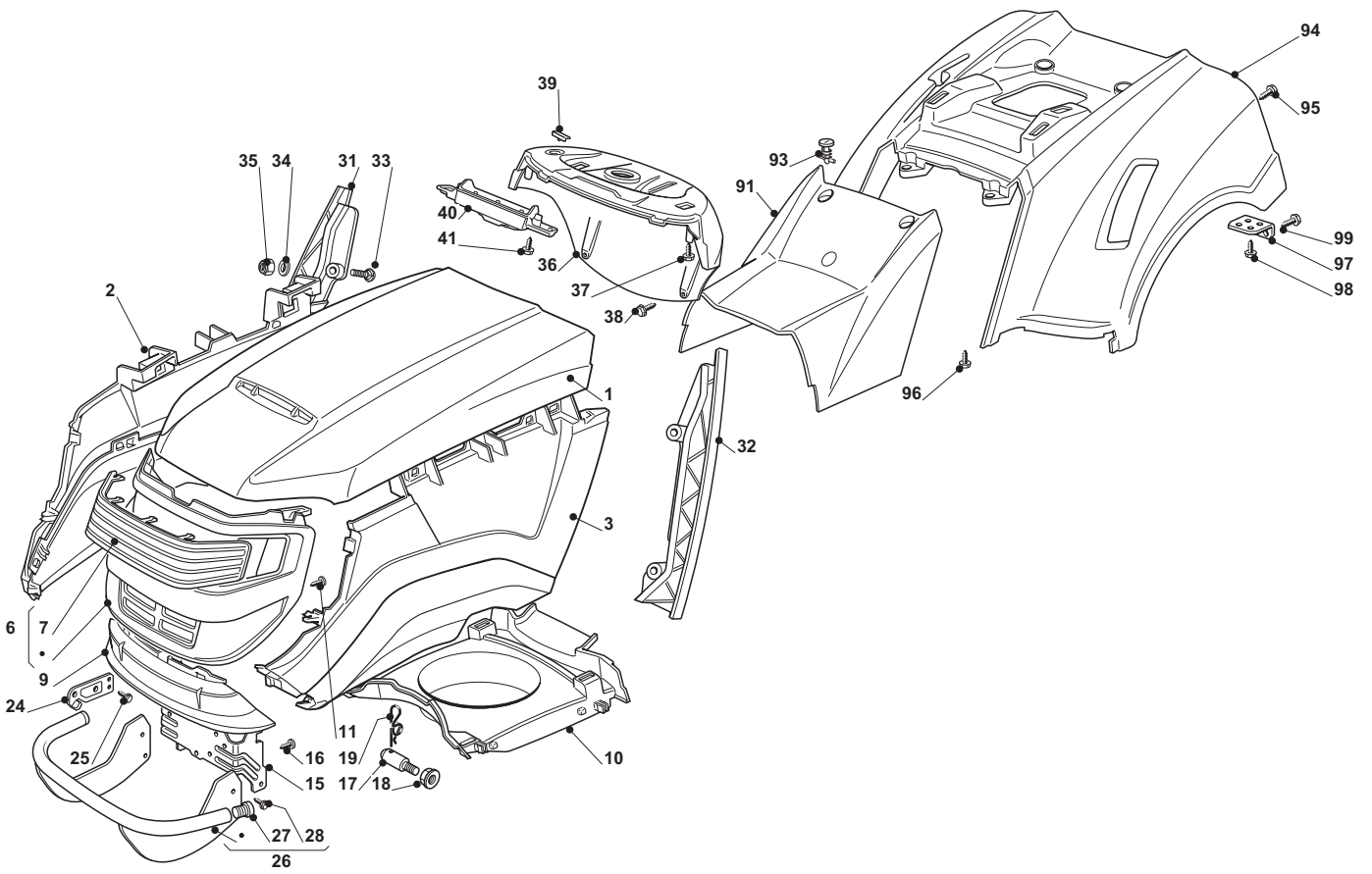
GLOBAL GARDEN PRODUCTS



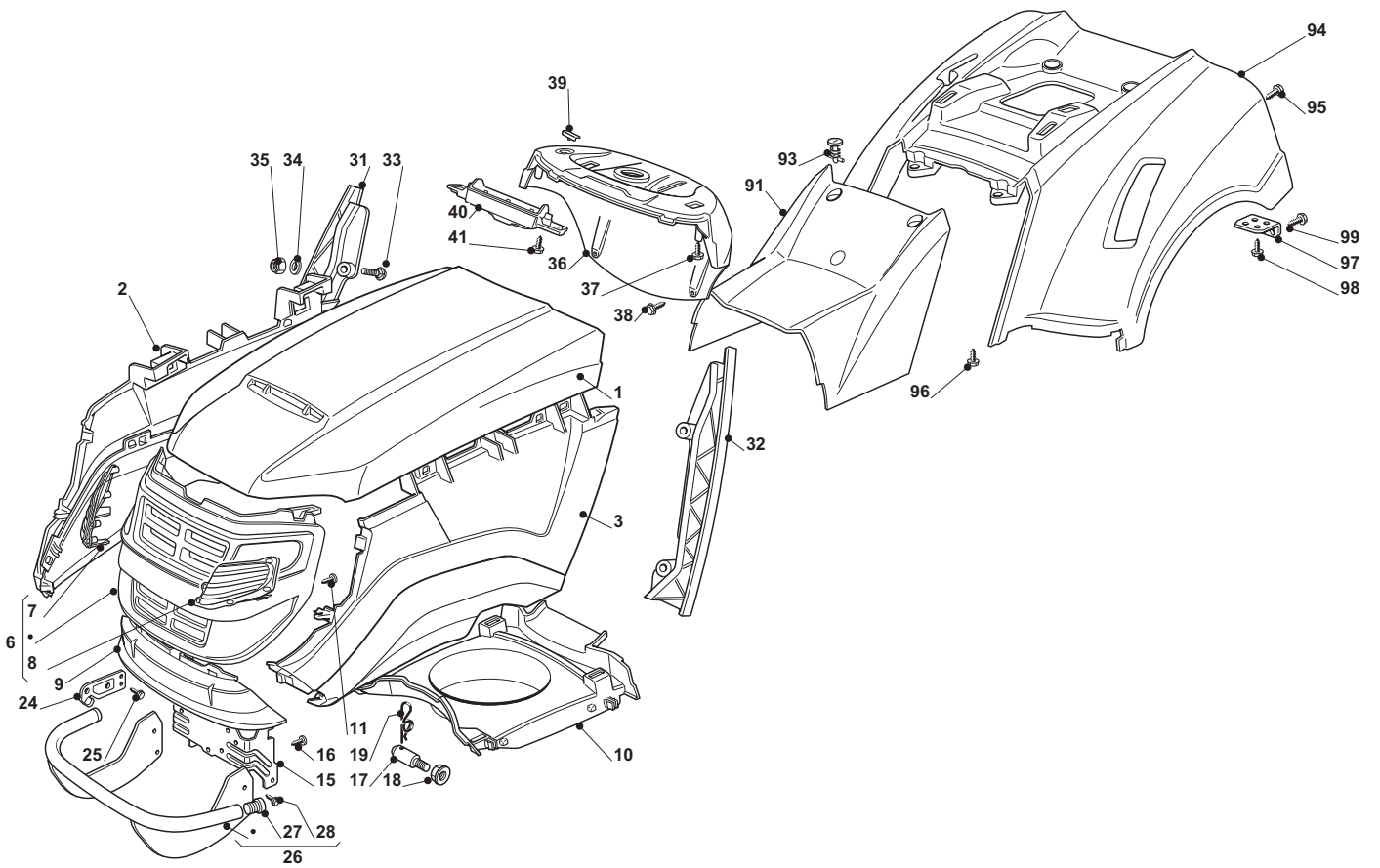
| Chassis | | | | | | | |
|---------|-------------|------|----------------------------|-------------------------|---------------------------|------------------------|-------|
| POS | CODE | Q.TY | DESCRIZIONE | DESCRIPTION | DESCRIPTION | BESCHREIBUNG | NOTES |
| 4 | 325785243/1 | 1 | Supp. Cruscotto Sin. | Left Dashboard Supp. | Support Tableau Gauche | Linker Konsolehalter | |
| 5 | 25785245/0 | 1 | Supp. Cruscotto Destro | Right Dashboard Supp. | Support Tableau Droite | Rechter Konsolehalter | |
| 6 | 12818690/0 | 4 | Vite | Screw | Vis | Schraube | |
| 7 | 12293201/0 | 4 | Dado | Nut | Ecrou | Mutter | |
| 8 | 382785151/1 | 1 | Supp. Cruscotto Posteriore | Rear Dashboard Supp | Support Tableau Arriere | Konsole Hinterrad | |
| 9 | 12735110/0 | 4 | Vite | Screw | Vis | Schraube | |
| 10 | 25785255/0 | 1 | Supp. Cruscotto Centr. | Central Dashboard Supp | Support Tableau Centr. | Zentr. Konsole Halter | |
| 11 | 12735110/0 | 2 | Vite | Screw | Vis | Schraube | |
| 12 | 12815200/0 | 4 | Vite | Screw | Vis | Schraube | |
| 13 | 12292102/0 | 4 | Dado | Nut | Ecrou | Mutter | |
| 14 | 25785241/0 | 1 | Supporto | Support | Support | Halter | |
| 15 | 12815200/0 | 2 | Vite | Screw | Vis | Schraube | |
| 16 | 12292102/0 | 2 | Dado | Nut | Ecrou | Mutter | |
| 17 | 382785153/1 | 2 | Supp. Cruscotto Anteriore | Front Dashboard Supp | Support Tableau Avant | Konsole Vorderrad | |
| 18 | 12815200/0 | 2 | Vite | Screw | Vis | Schraube | |
| 19 | 12292102/0 | 2 | Dado | Nut | Ecrou | Mutter | |
| 31 | 325785249/1 | 2 | Supporto Sedile | Seat Support | Support Siege | Sitzhalter | |
| 32 | 12815200/0 | 8 | Vite | Screw | Vis | Schraube | |
| 33 | 12292102/0 | 8 | Dado | Nut | Ecrou | Mutter | |
| 34 | 325785257/1 | 2 | Supporto Sedile | Seat Support | Support Siege | Sitzhalter | |
| 35 | 12818690/0 | 8 | Vite | Screw | Vis | Schraube | |
| 36 | 12293201/0 | 8 | Dado | Nut | Ecrou | Mutter | |
| 37 | 25755039/0 | 2 | Squadretta | Bracket | Equerre-Support | Winkel | |
| 38 | 12792611/0 | 4 | Vite | Screw | Vis | Schraube | |
| 39 | 12293201/0 | 4 | Dado | Nut | Ecrou | Mutter | |
| 40 | 22524970/2 | 2 | Perno | Pin | Pivot | Bolzen | |
| 41 | 12155010/0 | 2 | Dado | Nut | Ecrou | Mutter | |
| 42 | 25755043/0 | 1 | Squadretta | Bracket | Equerre-Support | Winkel | |
| 43 | 25430253/0 | 1 | Molla | Spring | Ressort | Feder | |
| 44 | 12789000/0 | 2 | Vite | Screw | Vis | Schraube | |
| 45 | 12154330/0 | 2 | Dado | Nut | Ecrou | Mutter | |
| 46 | 125430257/1 | 2 | Molla | Spring | Ressort | Feder | |
| 47 | 12523070/0 | 2 | Rondella | Washer | Rondelle | Scheibe | |
| 48 | 12760515/0 | 2 | Vite | Screw | Vis | Schraube | |
| 49 | 22671653/0 | 2 | Rosetta | Washer | Rondelle | Scheibe | |
| 50 | 12360425/0 | 2 | Dado | Nut | Ecrou | Mutter | |
| 51 | 25122000/2 | 2 | Cuffia | Hood | Protecteur | Schutzkasten | |
| 52 | 382547041/1 | 1 | Piastra | Plate | Plaque | Platte | |
| 53 | 12792611/0 | 6 | Vite | Screw | Vis | Schraube | |
| 54 | 12293201/0 | 6 | Dado | Nut | Ecrou | Mutter | |
| 55 | 25650119/0 | 2 | Rinforzo | Plate Stiffening | Renforcement Plaque | Platteverstaerkug | |
| 56 | 12792611/0 | 2 | Vite | Screw | Vis | Schraube | |
| 57 | 12293201/0 | 2 | Dado | Nut | Ecrou | Mutter | |
| 58 | 12818690/0 | 2 | Vite | Screw | Vis | Schraube | |
| 59 | 12293201/0 | 2 | Dado | Nut | Ecrou | Mutter | |
| 60 | 27430554/0 | 1 | Molla | Spring | Ressort | Feder | |
| 61 | 12735110/0 | 1 | Vite | Screw | Vis | Schraube | |
| 83 | 12792611/0 | 4 | Vite | Screw | Vis | Schraube | |
| 84 | 12293201/0 | 4 | Dado | Nut | Ecrou | Mutter | |
| 94 | 12815200/0 | 4 | Vite | Screw | Vis | Schraube | |
| 95 | 12292102/0 | 4 | Dado | Nut | Ecrou | Mutter | |
| 102 | 382510083/0 | 1 | Supporto Pedana Sinistro | Left Footboard Support | Support Marchepied Gauche | Linke Fussbretthalter | |
| 103 | 382510081/0 | 1 | Supporto Pedana Destro | Right Footboard Support | Support Marchepied Droite | Rechte Fussbretthalter | |
| 104 | 25110327/0 | 1 | Copripedana Sinistra | Left Footboard Cover | Couvre Marchepied Gau. | Linke Fussbrettdeckel | |
| 105 | 25110326/0 | 1 | Copripedana Destra | Right Footboard Cover | Couvre Marchepied Dro. | Rechte Fussbrettdeckel | |



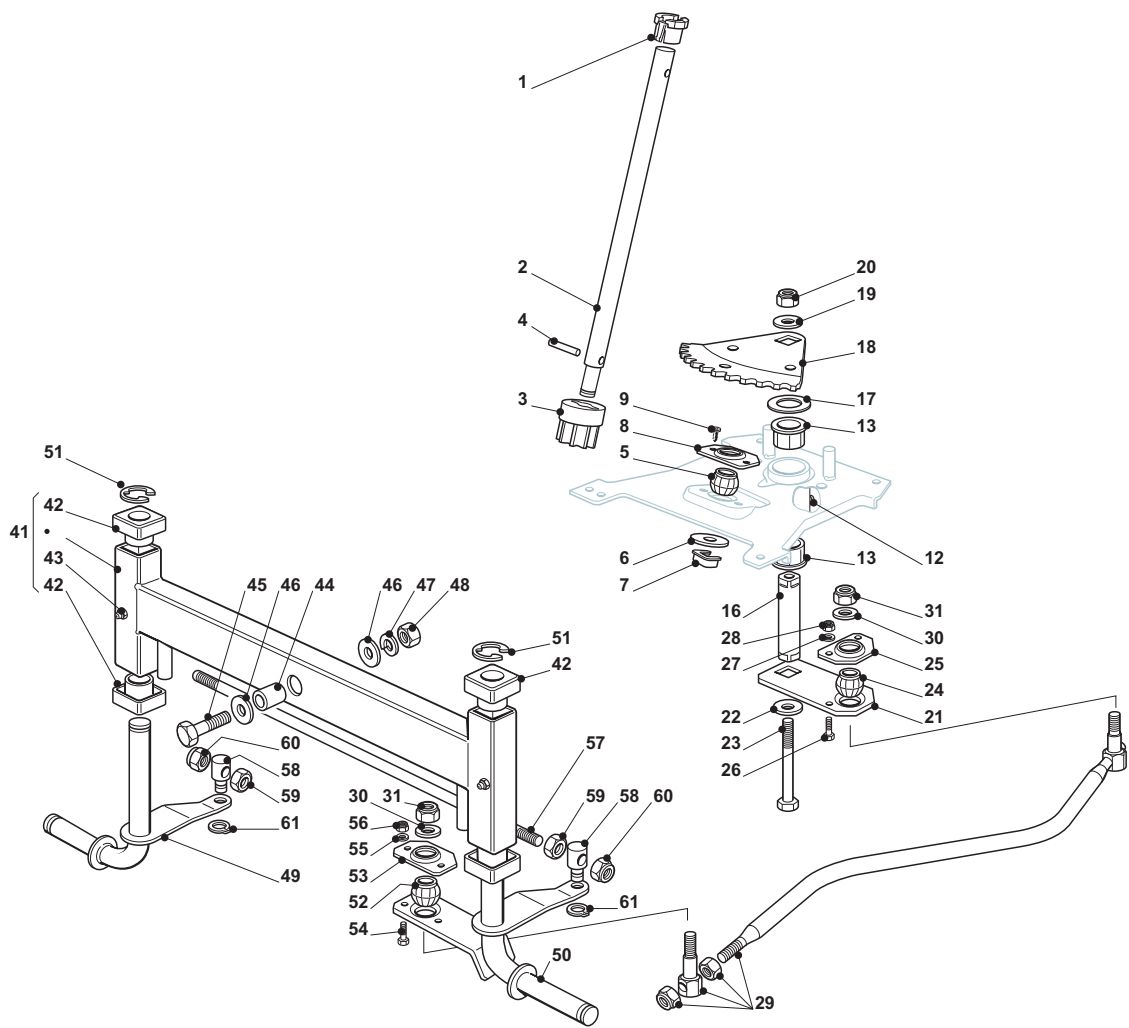
| Chassis | | | | | | | |
|---------|-------------|------|----------------------------|-------------------------|----------------------------|------------------------|-------|
| POS | CODE | Q.TY | DESCRIZIONE | DESCRIPTION | DESCRIPTION | BESCHREIBUNG | NOTES |
| 4 | 325785243/1 | 1 | Supp. Cruscotto Sin. | Left Dashboard Supp. | Support Tableau Gauche | Linker Konsolehalter | |
| 5 | 25785245/0 | 1 | Supp. Cruscotto Destro | Right Dashboard Supp. | Support Tableau Droite | Rechter Konsolehalter | |
| 6 | 12818690/0 | 4 | Vite | Screw | Vis | Schraube | |
| 7 | 12293201/0 | 4 | Dado | Nut | Ecrou | Mutter | |
| 8 | 382785151/1 | 1 | Supp. Cruscotto Posteriore | Rear Dashboard Supp | Support Tableau Arriere | Konsole Hinterrad | |
| 9 | 12735110/0 | 4 | Vite | Screw | Vis | Schraube | |
| 10 | 25785255/0 | 1 | Supp. Cruscotto Centr. | Central Dashboard Supp | Support Tableau Centr. | Zentr. Konsole Halter | |
| 11 | 12735110/0 | 2 | Vite | Screw | Vis | Schraube | |
| 12 | 12815200/0 | 4 | Vite | Screw | Vis | Schraube | |
| 13 | 12292102/0 | 4 | Dado | Nut | Ecrou | Mutter | |
| 14 | 25785241/0 | 1 | Supporto | Support | Support | Halter | |
| 15 | 12815200/0 | 2 | Vite | Screw | Vis | Schraube | |
| 16 | 12292102/0 | 2 | Dado | Nut | Ecrou | Mutter | |
| 17 | 382785153/1 | 2 | Supp. Cruscotto Anteriore | Front Dashboard Supp | Support Tableau Avant | Konsole Vorderrad | |
| 18 | 12815200/0 | 2 | Vite | Screw | Vis | Schraube | |
| 19 | 12292102/0 | 2 | Dado | Nut | Ecrou | Mutter | |
| 31 | 325785249/1 | 2 | Supporto Sedile | Seat Support | Support Siege | Sitzhalter | |
| 32 | 12815200/0 | 8 | Vite | Screw | Vis | Schraube | |
| 33 | 12292102/0 | 8 | Dado | Nut | Ecrou | Mutter | |
| 34 | 325785257/1 | 2 | Supporto Sedile | Seat Support | Support Siege | Sitzhalter | |
| 35 | 12818690/0 | 8 | Vite | Screw | Vis | Schraube | |
| 36 | 12293201/0 | 8 | Dado | Nut | Ecrou | Mutter | |
| 37 | 25755039/0 | 2 | Squadretta | Bracket | Equerre-Support | Winkel | |
| 38 | 12792611/0 | 4 | Vite | Screw | Vis | Schraube | |
| 39 | 12293201/0 | 4 | Dado | Nut | Ecrou | Mutter | |
| 40 | 22524970/2 | 2 | Perno | Pin | Pivot | Bolzen | |
| 41 | 12155010/0 | 2 | Dado | Nut | Ecrou | Mutter | |
| 42 | 25755043/0 | 1 | Squadretta | Bracket | Equerre-Support | Winkel | |
| 43 | 25430253/0 | 1 | Molla | Spring | Ressort | Feder | |
| 44 | 12789000/0 | 2 | Vite | Screw | Vis | Schraube | |
| 45 | 12154330/0 | 2 | Dado | Nut | Ecrou | Mutter | |
| 46 | 125430257/1 | 2 | Molla | Spring | Ressort | Feder | |
| 47 | 12523070/0 | 2 | Rondella | Washer | Rondelle | Scheibe | |
| 48 | 12760515/0 | 2 | Vite | Screw | Vis | Schraube | |
| 49 | 22671653/0 | 2 | Rosetta | Washer | Rondelle | Scheibe | |
| 50 | 12360425/0 | 2 | Dado | Nut | Ecrou | Mutter | |
| 51 | 25122000/2 | 2 | Cuffia | Hood | Protecteur | Schutzkasten | |
| 52 | 382547041/1 | 1 | Piastra | Plate | Plaque | Platte | |
| 53 | 12792611/0 | 6 | Vite | Screw | Vis | Schraube | |
| 54 | 12293201/0 | 6 | Dado | Nut | Ecrou | Mutter | |
| 55 | 25650119/0 | 2 | Rinforzo | Plate Stiffening | Renforcement Plaque | Platteverstaerkug | |
| 56 | 12792611/0 | 2 | Vite | Screw | Vis | Schraube | |
| 57 | 12293201/0 | 2 | Dado | Nut | Ecrou | Mutter | |
| 58 | 12818690/0 | 2 | Vite | Screw | Vis | Schraube | |
| 59 | 12293201/0 | 2 | Dado | Nut | Ecrou | Mutter | |
| 60 | 27430554/0 | 1 | Molla | Spring | Ressort | Feder | |
| 61 | 12735110/0 | 1 | Vite | Screw | Vis | Schraube | |
| 83 | 12792611/0 | 4 | Vite | Screw | Vis | Schraube | |
| 84 | 12293201/0 | 4 | Dado | Nut | Ecrou | Mutter | |
| 88 | 382510079/0 | 1 | Supporto Pedana Sinistro | Left Footboard Support | Support Marche pied Gauche | Linke Fussbretthalter | |
| 89 | 382510077/0 | 1 | Supporto Pedana Destro | Right Footboard Support | Support Marche pied Droite | Rechte Fussbretthalter | |
| 94 | 12815200/0 | 4 | Vite | Screw | Vis | Schraube | |
| 95 | 12292102/0 | 4 | Dado | Nut | Ecrou | Mutter | |



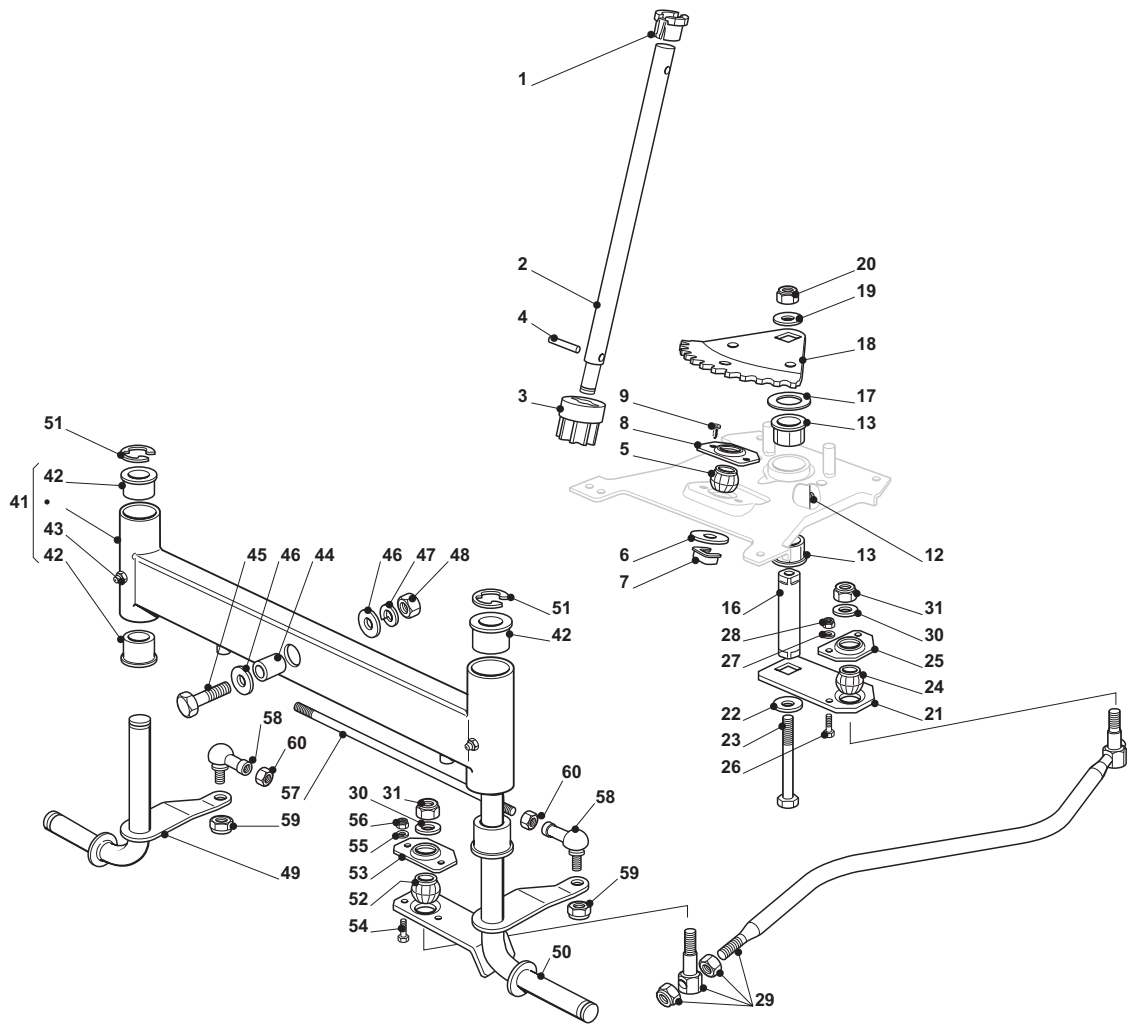
| Body | | | | In parts list notes identify as model NJS | | | |
|------|-------------|------|-----------------------------------|---|------------------------|-----------------------|-------|
| POS | CODE | Q.TY | DESCRIZIONE | DESCRIPTION | DESCRIPTION | BESCHREIBUNG | NOTES |
| 1 | 25076871/0 | 1 | Cofano Superiore Rosso | Upper Engine Hood, Red | Capot Rouge | Haubesatz Rot | |
| 2 | 382394620/0 | 1 | Cofano Dx | Hood, Right | Capot Droite | Rechte Haube | |
| 3 | 382394621/0 | 1 | Cofano Sx | Hood, Left | Capot Gauche | Linke Haube | |
| 6 | 82394618/0 | 1 | Cofano Frontale - Grigio | Hood, Front | Capot Avant | Vorde Haube | |
| 7 | 25410878/0 | 1 | Mascherina | Grill | Panneau | Schutz | |
| 9 | 25076877/0 | 1 | Cofano Frontale Inferiore - Rosso | Lower Hood, Front | Capot Avant | Vorde Haube | |
| 10 | 25108031/0 | 1 | Convogliatore | Conveyor | Convoyeur | Konveyor | |
| 11 | 12735403/0 | 6 | Vite | Screw | Vis | Schraube | |
| 15 | 325774301/2 | 1 | Supporto Cofano | Engine Hood Support | Support Capot | Haubehalter | |
| 16 | 12735403/0 | 5 | Vite | Screw | Vis | Schraube | |
| 17 | 125510079/1 | 2 | Perno | Pin | Pivot | Augenabscheider | |
| 18 | 12293201/0 | 2 | Dado | Nut | Ecrou | Mutter | |
| 19 | 24487998/0 | 2 | Coppiglia | Cotter Pin | Goupille | Splint | |
| 24 | 325547159/1 | 2 | Piastrina | Plate | Plaque | Platte | |
| 25 | 12731580/0 | 4 | Vite | Screw | Vis | Schraube | |
| 26 | 82869027/0 | 1 | Protezione Silenziatore | Muffler Protection | Protection Silencieux | Auspuffschutz | |
| 27 | 18737860/0 | 2 | Puntale | Cap | Bouchon | Pfropfen | |
| 28 | 12734995/0 | 4 | Vite | Screw | Vis | Schraube | |
| 31 | 25599012/0 | 1 | Supp. Cruscotto Destro | Right Dashboard Supp. | Support Tableau Droite | Rechter Konsolehalter | |
| 32 | 25599013/0 | 1 | Supp. Cruscotto Sin. | Left Dashboard Supp. | Support Tableau Gauche | Linker Konsolehalter | |
| 33 | 12815221/0 | 4 | Vite | Screw | Vis | Schraube | |
| 34 | 12521330/0 | 4 | Rosetta | Washer | Rondelle | Scheibe | |
| 35 | 12154510/0 | 4 | Dado | Nut | Ecrou | Mutter | |
| 36 | 325120188/2 | 1 | Cruscotto | Dashboard | Tableau De Bord | Konsole | |
| 37 | 12728440/0 | 2 | Vite | Screw | Vis | Schraube | |
| 38 | 12735402/0 | 2 | Vite | Screw | Vis | Schraube | |
| 39 | 25260000/0 | 2 | Gommino | Grommet | Protection | Schutz | |
| 40 | 25600074/0 | 1 | Protezione Scheda | Card Protection | Protection De Carte | Karteschutz | |
| 41 | 12735402/0 | 2 | Vite | Screw | Vis | Schraube | |
| 91 | 325110363/0 | 1 | Copertura Centrale, Rosso | Cover, Red | Couvre, Rouge | Kappe, Rot | |
| 93 | 125580020/2 | 2 | Perno | Pivot | Goujon | Stift | |
| 94 | 25110322/0 | 1 | Copertura Ruote, Rosso | Wheels Cover, Red | Couvre-Roues, Rouge | Radenkappe, Rot | |
| 95 | 12735402/0 | 4 | Vite | Screw | Vis | Schraube | |
| 96 | 12735402/0 | 2 | Vite | Screw | Vis | Schraube | |
| 97 | 25755041/0 | 2 | Squadretta | Bracket | Equerre-Support | Winkel | |
| 98 | 12728686/0 | 4 | Vite | Screw | Vis | Schraube | |
| 99 | 12735110/0 | 2 | Vite | Screw | Vis | Schraube | |



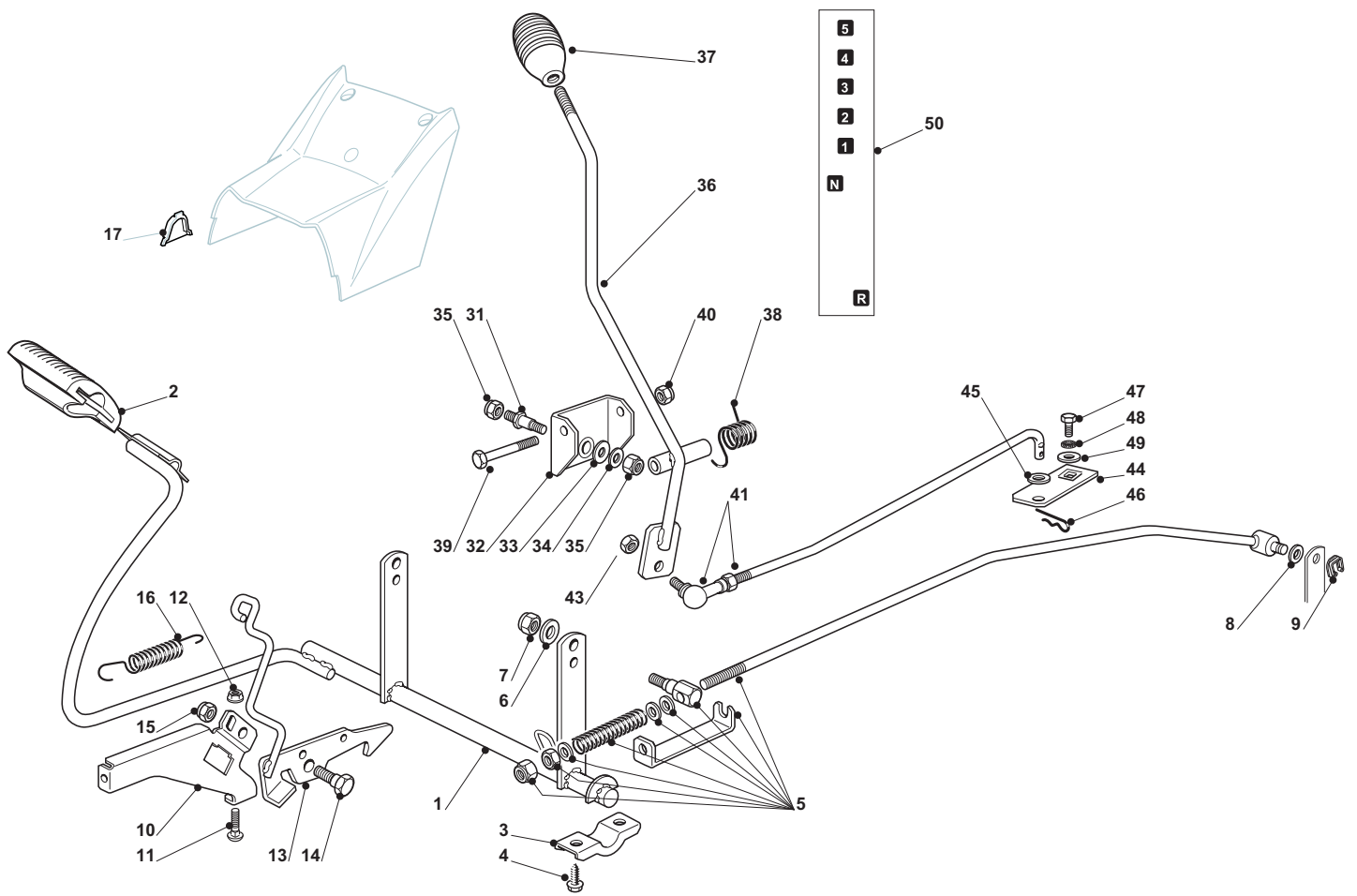
| Body | | | | In parts list notes identify as model NJS | | | |
|------|-------------|------|-----------------------------------|---|------------------------|-----------------------|-------|
| POS | CODE | Q.TY | DESCRIZIONE | DESCRIPTION | DESCRIPTION | BESCHREIBUNG | NOTES |
| 1 | 25076871/0 | 1 | Cofano Superiore Rosso | Upper Engine Hood, Red | Capot Rouge | Haubesatz Rot | |
| 2 | 382394620/0 | 1 | Cofano Dx | Hood, Right | Capot Droite | Rechte Haube | |
| 3 | 382394621/0 | 1 | Cofano Sx | Hood, Left | Capot Gauche | Linke Haube | |
| 6 | 382394628/0 | 1 | Cofano Frontale | Hood, Front | Capot Avant | Vorde Haube | |
| 7 | 325410881/0 | 1 | Mascherina Destra | Right Grill | Panneau Droite | Rechte Schutz | |
| 8 | 325410882/0 | 1 | Mascherina Sinistra | Left Grill | Panneau Gauche | Linke Schutz | |
| 9 | 25076877/0 | 1 | Cofano Frontale Inferiore - Rosso | Lower Hood, Front | Capot Avant | Vorde Haube | |
| 10 | 25108031/0 | 1 | Convogliatore | Conveyor | Convoyeur | Konveyor | |
| 11 | 12735403/0 | 6 | Vite | Screw | Vis | Schraube | |
| 15 | 325774301/2 | 1 | Supporto Cofano | Engine Hood Support | Support Capot | Haubehalter | |
| 16 | 12735403/0 | 5 | Vite | Screw | Vis | Schraube | |
| 17 | 125510079/1 | 2 | Perno | Pin | Pivot | Augenabscheider | |
| 18 | 12293201/0 | 2 | Dado | Nut | Ecrou | Mutter | |
| 19 | 24487998/0 | 2 | Coppiglia | Cotter Pin | Goupille | Splint | |
| 24 | 325547159/1 | 2 | Piastrina | Plate | Plaque | Platte | |
| 25 | 12731580/0 | 4 | Vite | Screw | Vis | Schraube | |
| 26 | 82869027/0 | 1 | Protezione Silenziatore | Muffler Protection | Protection Silencieux | Auspuffschutz | |
| 27 | 18737860/0 | 2 | Puntale | Cap | Bouchon | Pfropfen | |
| 28 | 12734995/0 | 4 | Vite | Screw | Vis | Schraube | |
| 31 | 25599012/0 | 1 | Supp. Cruscotto Destro | Right Dashboard Supp. | Support Tableau Droite | Rechter Konsolehalter | |
| 32 | 25599013/0 | 1 | Supp. Cruscotto Sin. | Left Dashboard Supp. | Support Tableau Gauche | Linker Konsolehalter | |
| 33 | 12815221/0 | 4 | Vite | Screw | Vis | Schraube | |
| 34 | 12521330/0 | 4 | Rosetta | Washer | Rondelle | Scheibe | |
| 35 | 12154510/0 | 4 | Dado | Nut | Ecrou | Mutter | |
| 36 | 325120188/2 | 1 | Cruscotto | Dashboard | Tableau De Bord | Konsole | |
| 37 | 12728440/0 | 2 | Vite | Screw | Vis | Schraube | |
| 38 | 12735402/0 | 2 | Vite | Screw | Vis | Schraube | |
| 39 | 25260000/0 | 2 | Gommino | Grommet | Protection | Schutz | |
| 40 | 25600074/0 | 1 | Protezione Scheda | Card Protection | Protection De Carte | Karteschutz | |
| 41 | 12735402/0 | 2 | Vite | Screw | Vis | Schraube | |
| 91 | 325110363/0 | 1 | Copertura Centrale, Rosso | Cover, Red | Couvre, Rouge | Kappe, Rot | |
| 93 | 125580020/2 | 2 | Perno | Pivot | Goujon | Stift | |
| 94 | 25110322/0 | 1 | Copertura Ruote, Rosso | Wheels Cover, Red | Couvre-Roues, Rouge | Radenkappe, Rot | |
| 95 | 12735402/0 | 4 | Vite | Screw | Vis | Schraube | |
| 96 | 12735402/0 | 2 | Vite | Screw | Vis | Schraube | |
| 97 | 25755041/0 | 2 | Squadretta | Bracket | Equerre-Support | Winkel | |
| 98 | 12728686/0 | 4 | Vite | Screw | Vis | Schraube | |
| 99 | 12735110/0 | 2 | Vite | Screw | Vis | Schraube | |



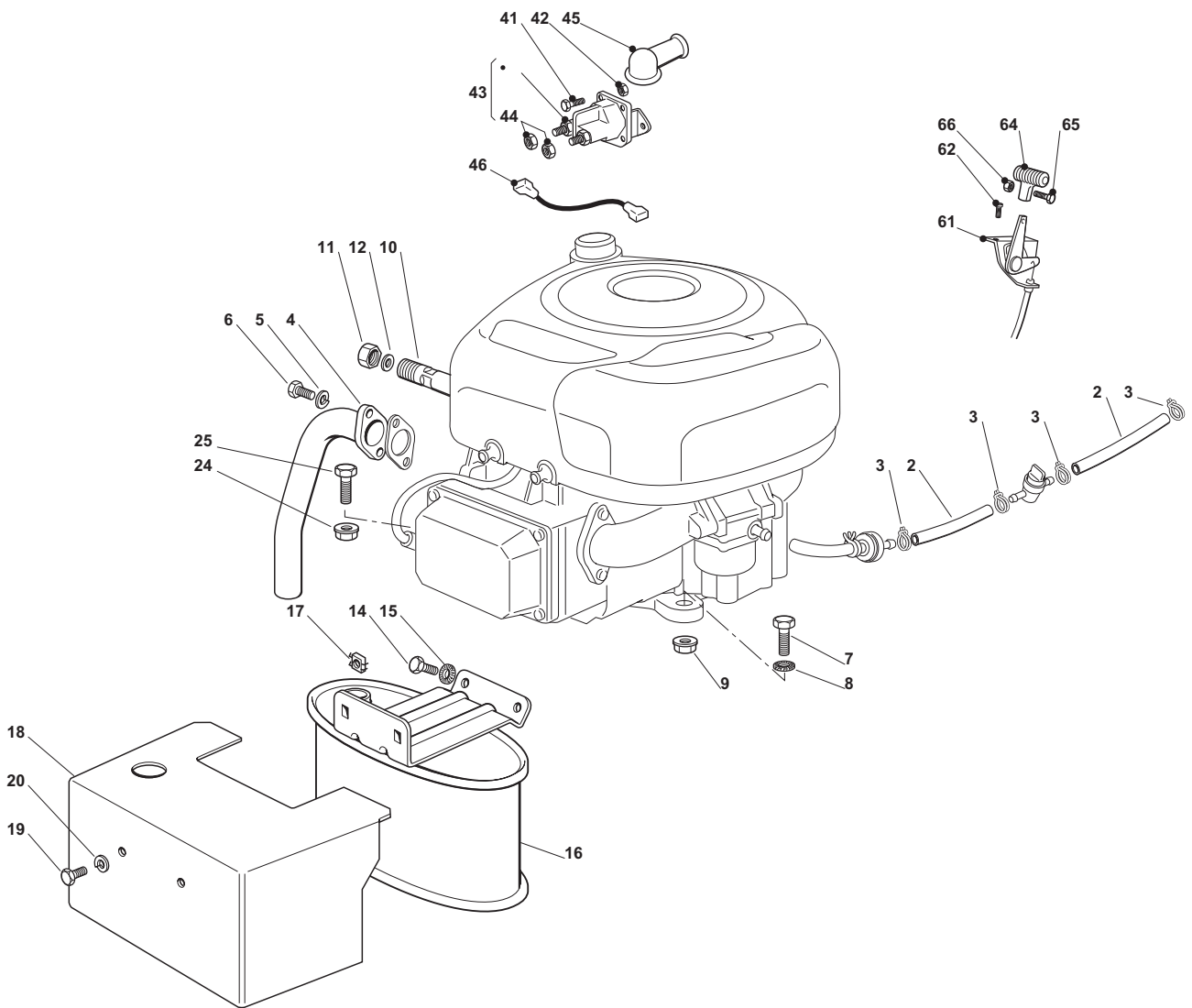
| Steering | | | | | | | |
|----------|-------------|------|--|------------------------------------|-------------------------------------|-------------------------------------|-------|
| POS | CODE | Q.TY | DESCRIZIONE | DESCRIPTION | DESCRIPTION | BESCHREIBUNG | NOTES |
| 1 | 25038004/0 | 1 | Boccola | Bush | Douille | Büchse | |
| 2 | 125520006/1 | 1 | Piantone | Steering Column | Tube De Direction | Lenkungsaeule | |
| 3 | 27570050/0 | 1 | Pignone | Pinion | Pignon | Ritzel | |
| 4 | 12622650/0 | 1 | Spina | Pin | Goupille | Stift | |
| 5 | 25743000/0 | 1 | Snodo | Joint | Joint | Gelenk | |
| 6 | 12521370/0 | 1 | Rondella | Washer | Rondelle | Scheibe | |
| 7 | 12436030/0 | 1 | Piastrina | Plate | Plaquette | Plattechen | |
| 8 | 325785213/1 | 1 | Supporto | Support | Support | Halter | |
| 9 | 12729601/1 | 2 | Vite | Screw | Vis | Schraube | |
| 12 | 12379511/0 | 1 | Ingrassatore | Grease Dispenser | Graisseur | Fettbüchse | |
| 13 | 25040624/0 | 2 | Bussola | Bush | Douille | Büchse | |
| 16 | 25510092/0 | 1 | Perno | Pin | Pivot | Bolzen | |
| 17 | 25670019/0 | 1 | Rosetta | Washer | Rondelle | Scheibe | |
| 18 | 25735513/0 | 1 | Settore | Steering Shaft | Arbre Direction | Lenkungswelle | |
| 19 | 12523080/0 | 1 | Rosetta | Washer | Rondelle | Scheibe | |
| 20 | 12155020/0 | 1 | Dado | Nut | Ecrou | Mutter | |
| 21 | 25318205/0 | 1 | Leva | Lever | Levier | Hebel | |
| 22 | 12523080/0 | 1 | Rosetta | Washer | Rondelle | Scheibe | |
| 23 | 12794985/0 | 1 | Vite | Screw | Vis | Schraube | |
| 24 | 25743000/0 | 1 | Snodo | Joint | Joint | Gelenk | |
| 25 | 325785213/1 | 1 | Supporto | Support | Support | Halter | |
| 26 | 12791213/1 | 2 | Vite | Screw | Vis | Schraube | |
| 27 | 12521330/0 | 2 | Rosetta | Washer | Rondelle | Scheibe | |
| 28 | 12154510/0 | 2 | Dado | Nut | Ecrou | Mutter | |
| 29 | 382000538/1 | 1 | Asta Com. Sterzo | Steering Rod | Levier Barre De Direction | Lenkungsstab | |
| 30 | 12523070/0 | 2 | Rondella | Washer | Rondelle | Scheibe | |
| 31 | 12155010/0 | 2 | Dado | Nut | Ecrou | Mutter | |
| 41 | 382034021/1 | 1 | Bilanciere Con Boccola Ed Ingrassatore | Equalizer With Bush And Lubricator | Balancier Avec Douille Et Graisseur | Kipphebel Mit Büchse Und Fettbüchse | |
| 42 | 25040622/0 | 4 | Boccola | Bush | Douille | Büchse | |
| 43 | 12379511/0 | 2 | Ingrassatore | Grease Dispenser | Graisseur | Fettbüchse | |
| 44 | 25160016/0 | 1 | Distanziale | Spacer | Entretoise | Entfernungsstück | |
| 45 | 12692695/0 | 1 | Vite | Screw | Vis | Schraube | |
| 46 | 12523100/0 | 2 | Rondella | Washer | Rondelle | Scheibe | |
| 47 | 12587100/0 | 1 | Grower | Grower | Grower | Grower | |
| 48 | 12295300/0 | 1 | Dado | Nut | Ecrou | Mutter | |
| 49 | 82230363/0 | 1 | Fusello Destro | Right Stub Axle | Fuseau Droite | Rechter Achsschenkel | |
| 50 | 82230365/0 | 1 | Fusello Sinistro | Left Stub Axle | Fuseau Gauche | Linker Achsschenkel | |
| 51 | 12001000/0 | 2 | Anello Elastico | Snap Ring | Anneau Ressort | Sprengring | |
| 52 | 25743000/0 | 1 | Snodo | Joint | Joint | Gelenk | |
| 53 | 325785213/1 | 1 | Supporto | Support | Support | Halter | |
| 54 | 12791213/1 | 2 | Vite | Screw | Vis | Schraube | |
| 55 | 12521330/0 | 2 | Rosetta | Washer | Rondelle | Scheibe | |
| 56 | 12154510/0 | 2 | Dado | Nut | Ecrou | Mutter | |
| 57 | 25840022/0 | 1 | Tirante Colleg. Fuselli | Tie Rod | Tirant | Spannstange | |
| 58 | 25510096/0 | 2 | Perno | Pin | Pivot | Bolzen | |
| 59 | 12295200/0 | 2 | Dado | Nut | Ecrou | Mutter | |
| 60 | 12156602/0 | 2 | Dado | Nut | Ecrou | Mutter | |
| 61 | 12000956/0 | 2 | Anello Elastico | Snap Ring | Anneau Ressort | Sprengring | |



| Steering | | | | | | | |
|----------|-------------|------|--|------------------------------------|-------------------------------------|-------------------------------------|-------|
| POS | CODE | Q.TY | DESCRIZIONE | DESCRIPTION | DESCRIPTION | BESCHREIBUNG | NOTES |
| 1 | 25038004/0 | 1 | Boccola | Bush | Douille | Büchse | |
| 2 | 125520006/1 | 1 | Piantone | Steering Column | Tube De Direction | Lenkungsaeule | |
| 3 | 27570050/0 | 1 | Pignone | Pinion | Pignon | Ritzel | |
| 4 | 12622650/0 | 1 | Spina | Pin | Goupille | Stift | |
| 5 | 25743000/0 | 1 | Snodo | Joint | Joint | Gelenk | |
| 6 | 12521370/0 | 1 | Rondella | Washer | Rondelle | Scheibe | |
| 7 | 12436030/0 | 1 | Piastrina | Plate | Plaquette | Plattechen | |
| 8 | 325785213/1 | 1 | Supporto | Support | Support | Halter | |
| 9 | 12729601/1 | 2 | Vite | Screw | Vis | Schraube | |
| 12 | 12379511/0 | 1 | Ingrassatore | Grease Dispenser | Graisseur | Fettbüchse | |
| 13 | 25040624/0 | 2 | Bussola | Bush | Douille | Büchse | |
| 16 | 25510092/0 | 1 | Perno | Pin | Pivot | Bolzen | |
| 17 | 25670019/0 | 1 | Rosetta | Washer | Rondelle | Scheibe | |
| 18 | 25735513/0 | 1 | Settore | Steering Shaft | Arbre Direction | Lenkungswelle | |
| 19 | 12523080/0 | 1 | Rosetta | Washer | Rondelle | Scheibe | |
| 20 | 12155020/0 | 1 | Dado | Nut | Ecrou | Mutter | |
| 21 | 25318205/0 | 1 | Leva | Lever | Levier | Hebel | |
| 22 | 12523080/0 | 1 | Rosetta | Washer | Rondelle | Scheibe | |
| 23 | 12794985/0 | 1 | Vite | Screw | Vis | Schraube | |
| 24 | 25743000/0 | 1 | Snodo | Joint | Joint | Gelenk | |
| 25 | 325785213/1 | 1 | Supporto | Support | Support | Halter | |
| 26 | 12791213/1 | 2 | Vite | Screw | Vis | Schraube | |
| 27 | 12521330/0 | 2 | Rosetta | Washer | Rondelle | Scheibe | |
| 28 | 12154510/0 | 2 | Dado | Nut | Ecrou | Mutter | |
| 29 | 382000539/1 | 1 | Asta Com. Sterzo | Steering Rod | Levier Barre De Direction | Lenkungsstab | |
| 30 | 12523070/0 | 2 | Rondella | Washer | Rondelle | Scheibe | |
| 31 | 12155010/0 | 2 | Dado | Nut | Ecrou | Mutter | |
| 41 | 382034024/1 | 1 | Bilanciere Con Boccola Ed Ingrassatore | Equalizer With Bush And Lubricator | Balancier Avec Douille Et Graisseur | Kipphebel Mit Büchse Und Fettbüchse | |
| 42 | 25034002/1 | 4 | Boccola | Bush | Douille | Büchse | |
| 43 | 12379511/0 | 2 | Ingrassatore | Grease Dispenser | Graisseur | Fettbüchse | |
| 44 | 25160016/0 | 1 | Distanziale | Spacer | Entretoise | Entfernungsstück | |
| 45 | 12692695/0 | 1 | Vite | Screw | Vis | Schraube | |
| 46 | 12523100/0 | 2 | Rondella | Washer | Rondelle | Scheibe | |
| 47 | 12587100/0 | 1 | Grower | Grower | Grower | Grower | |
| 48 | 12295300/0 | 1 | Dado | Nut | Ecrou | Mutter | |
| 49 | 82230363/0 | 1 | Fusello Destro | Right Stub Axle | Fuseau Droite | Rechter Achsschenkel | |
| 50 | 82230365/0 | 1 | Fusello Sinistro | Left Stub Axle | Fuseau Gauche | Linker Achsschenkel | |
| 51 | 12001000/0 | 2 | Anello Elastico | Snap Ring | Anneau Ressort | Sprengring | |
| 52 | 25743000/0 | 1 | Snodo | Joint | Joint | Gelenk | |
| 53 | 325785213/1 | 1 | Supporto | Support | Support | Halter | |
| 54 | 12791213/1 | 2 | Vite | Screw | Vis | Schraube | |
| 55 | 12521330/0 | 2 | Rosetta | Washer | Rondelle | Scheibe | |
| 56 | 12154510/0 | 2 | Dado | Nut | Ecrou | Mutter | |
| 57 | 125840023/0 | 1 | Tirante Colleg. Fuselli | Tie Rod | Tirant | Spannstange | |
| 58 | 122746609/0 | 2 | Snodo | Joint | Joint | Gelenk | |
| 59 | 12156602/0 | 2 | Dado | Nut | Ecrou | Mutter | |
| 60 | 112295201/0 | 2 | Dado | Nut | Ecrou | Mutter | |

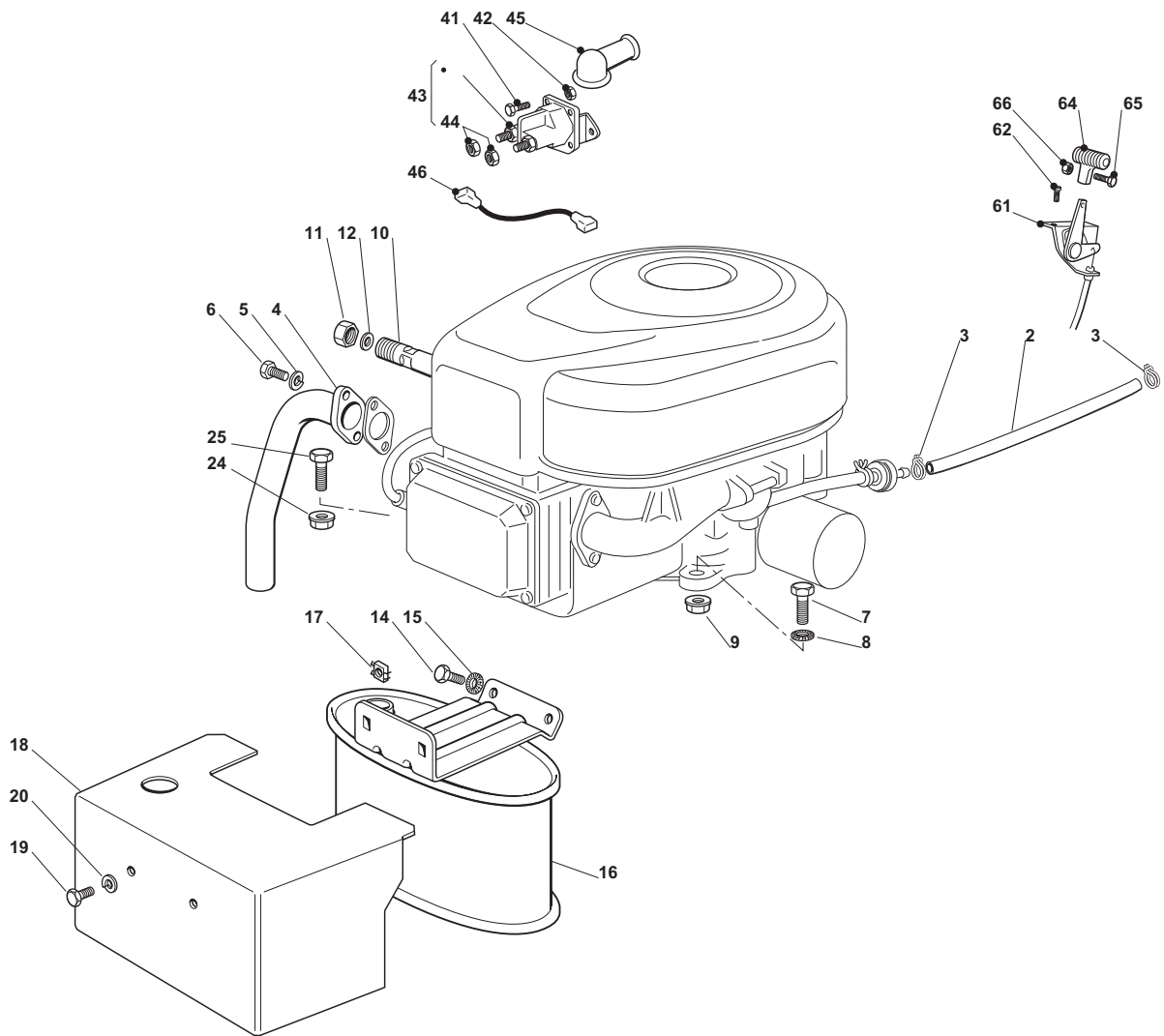


| Brake And Gearbox Controls | | | | | | | |
|----------------------------|-------------|------|-------------------|---------------|---------------|----------------|-------|
| POS | CODE | Q.TY | DESCRIZIONE | DESCRIPTION | DESCRIPTION | BESCHREIBUNG | NOTES |
| 1 | 82500027/1 | 1 | Pedale | Pedal | Pedal | Pedal | |
| 2 | 25110269/0 | 1 | Copristaffa | Clamp Cover | Couvre Etrier | Bridedeckel | |
| 3 | 27546015/1 | 2 | Piastrina | Plate | Plaque | Platte | |
| 4 | 12729601/1 | 4 | Vite | Screw | Vis | Schraube | |
| 5 | 382000541/1 | 1 | Asta | Rod | Barre | Stange | |
| 6 | 12523040/0 | 1 | Rosetta | Washer | Rondelle | Scheibe | |
| 7 | 12154510/0 | 1 | Dado | Nut | Ecrou | Mutter | |
| 8 | 12521350/0 | 1 | Rondella | Washer | Rondelle | Scheibe | |
| 9 | 12436050/0 | 1 | Piastrina | Plate | Plaque | Platte | |
| 10 | 25785261/0 | 1 | Supporto | Support | Support | Halter | |
| 11 | 12815200/0 | 2 | Vite | Screw | Vis | Schraube | |
| 12 | 12292102/0 | 2 | Dado | Nut | Ecrou | Mutter | |
| 13 | 82000531/0 | 1 | Asta | Rod | Barre | Stange | |
| 14 | 22524970/2 | 1 | Perno | Pin | Pivot | Bolzen | |
| 15 | 12155000/0 | 1 | Dado | Nut | Ecrou | Mutter | |
| 16 | 25430213/0 | 1 | Molla | Spring | Ressort | Feder | |
| 17 | 25207172/0 | 1 | Piastrina (Mecc.) | Plate (Mech.) | Plaque (Mec.) | Platte (Mech.) | |
| 31 | 25510035/0 | 1 | Perno | Pin | Pivot | Bolzen | |
| 32 | 82774247/0 | 1 | Staffa | Clamp | Etrier | Bride | |
| 33 | 22672152/0 | 1 | Rondella | Washer | Rondelle | Scheibe | |
| 34 | 12523060/0 | 1 | Rondella | Washer | Rondelle | Scheibe | |
| 35 | 12155010/0 | 2 | Dado | Nut | Ecrou | Mutter | |
| 36 | 82318215/0 | 1 | Leva | Gearshift | Levier | Hebel | |
| 37 | 25394510/0 | 1 | Manopola | Knob | Poignee | Knopf | |
| 38 | 25430258/0 | 1 | Molla | Spring | Ressort | Feder | |
| 39 | 12692050/0 | 1 | Vite | Screw | Vis | Schraube | |
| 40 | 12155000/0 | 1 | Dado | Nut | Ecrou | Mutter | |
| 41 | 382000545/0 | 1 | Asta | Rod | Barre | Stange | |
| 43 | 12155000/0 | 1 | Dado | Nut | Ecrou | Mutter | |
| 44 | 25318169/0 | 1 | Leva | Gearshift | Levier | Hebel | |
| 45 | 12521340/0 | 1 | Rosetta | Washer | Rondelle | Scheibe | |
| 46 | 24487997/0 | 1 | Coppiglia | Cotter Pin | Goupille | Splint | |
| 47 | 12735520/0 | 1 | Vite | Screw | Vis | Schraube | |
| 48 | 12540040/0 | 1 | Rosetta | Washer | Rondelle | Scheibe | |
| 49 | 22680009/0 | 1 | Rondella | Washer | Rondelle | Scheibe | |
| 50 | 14361447/0 | 1 | Etichetta | Label | Etiquette | Klebzettel | |



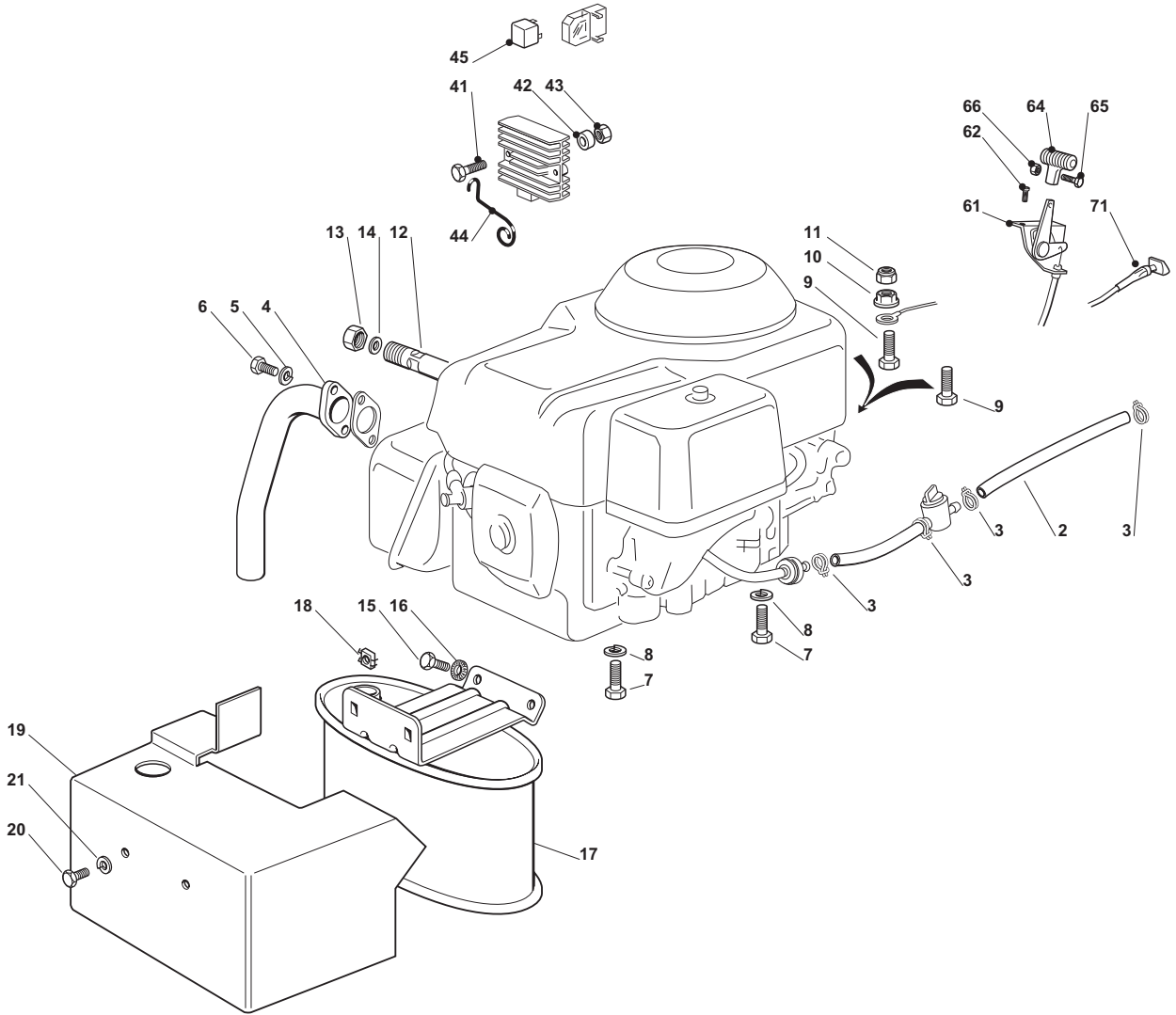
Engine - B&S 11.5 - 12.5 - 13.5 HP

| POS | CODE | Q.TY | DESCRIZIONE | DESCRIPTION | DESCRIPTION | BESCHREIBUNG | NOTES |
|-----|-------------|------|-----------------------------|---------------------------|-----------------------------|---------------------------|-------|
| 2 | 25869057/0 | 1 | Tubo Collegamento (1000 Mm) | Connecting Tube (1000 Mm) | Tube De Connexion (1000 Mm) | Verbindungsrohr (1000 Mm) | |
| 3 | 18375051/1 | 4 | Fascetta | Fair Led | Fixation De Cable | Kabelbefestigung | |
| 4 | 18738224/0 | 1 | Tubo Scarico | Exhaust Tube | Tube Echappement | Abgasungrohr | |
| 5 | 12583500/0 | 2 | Grower | Grower | Grower | Grower | |
| 6 | 12735530/0 | 2 | Vite | Screw | Vis | Schraube | |
| 7 | 12691115/0 | 1 | Vite | Screw | Vis | Schraube | |
| 8 | 12540260/0 | 1 | Rondella | Washer | Rondelle | Scheibe | |
| 9 | 12154210/0 | 1 | Dado | Nut | Ecrou | Mutter | |
| 10 | 25598050/0 | 1 | Prolunga Scarico Olio | Oil Discharge Extension | Extension Dech. Huile | Öl Abfluss | |
| 11 | 18737849/0 | 1 | Tappo Per Prolunga | Oil Cap | Bouchon Huile | Oelverschluss | |
| 12 | 18401001/1 | 1 | Guarnizione | Oil Seal | Garniture | Dichtung | |
| 14 | 12793102/0 | 2 | Vite | Screw | Vis | Schraube | |
| 15 | 12540260/0 | 2 | Rondella | Washer | Rondelle | Scheibe | |
| 16 | 182750010/0 | 1 | Silenziatore | Muffler | Silenceux | Auspuff | |
| 17 | 12360425/0 | 2 | Dado | Nut (Mech.) | Ecrou | Mutter | |
| 18 | 82598009/2 | 1 | Protezione | Guard | Protection | Schutzze | |
| 19 | 12792611/0 | 2 | Vite | Screw | Vis | Schraube | |
| 20 | 12583500/0 | 2 | Grower | Grower | Grower | Grower | |
| 24 | 12154210/0 | 3 | Dado | Nut | Ecrou | Mutter | |
| 25 | 12691100/0 | 3 | Vite | Screw | Vis | Schraube | |
| 41 | 12791213/1 | 2 | Vite | Screw | Vis | Schraube | |
| 42 | 12292102/0 | 2 | Dado | Nut | Ecrou | Mutter | |
| 43 | 18736110/0 | 1 | Relé Avviamento | Starter Relay | Relais D'Allumage | Anlassrelais | |
| 44 | 12360352/0 | 2 | Dado | Nut | Ecrou | Mutter | |
| 45 | 18564864/1 | 1 | Cappuccio | Protection | Capuchon | Stecker | |
| 46 | 25065017/0 | 1 | Cavo Relé Avv. | Cable | Cable | Kabel | |
| 61 | 82000200/1 | 1 | Acceleratore | Accelerator | Accelérateur | Gas Zug | |
| 62 | 125943012/0 | 2 | Vite | Screw | Vis | Schraube | |
| 64 | 25394501/0 | 1 | Manopolina | Handle | Poigne | Griff | |
| 65 | 12726388/0 | 1 | Vite | Screw | Vis | Schraube | |
| 66 | 12290800/0 | 1 | Dado | Nut | Ecrou | Mutter | |

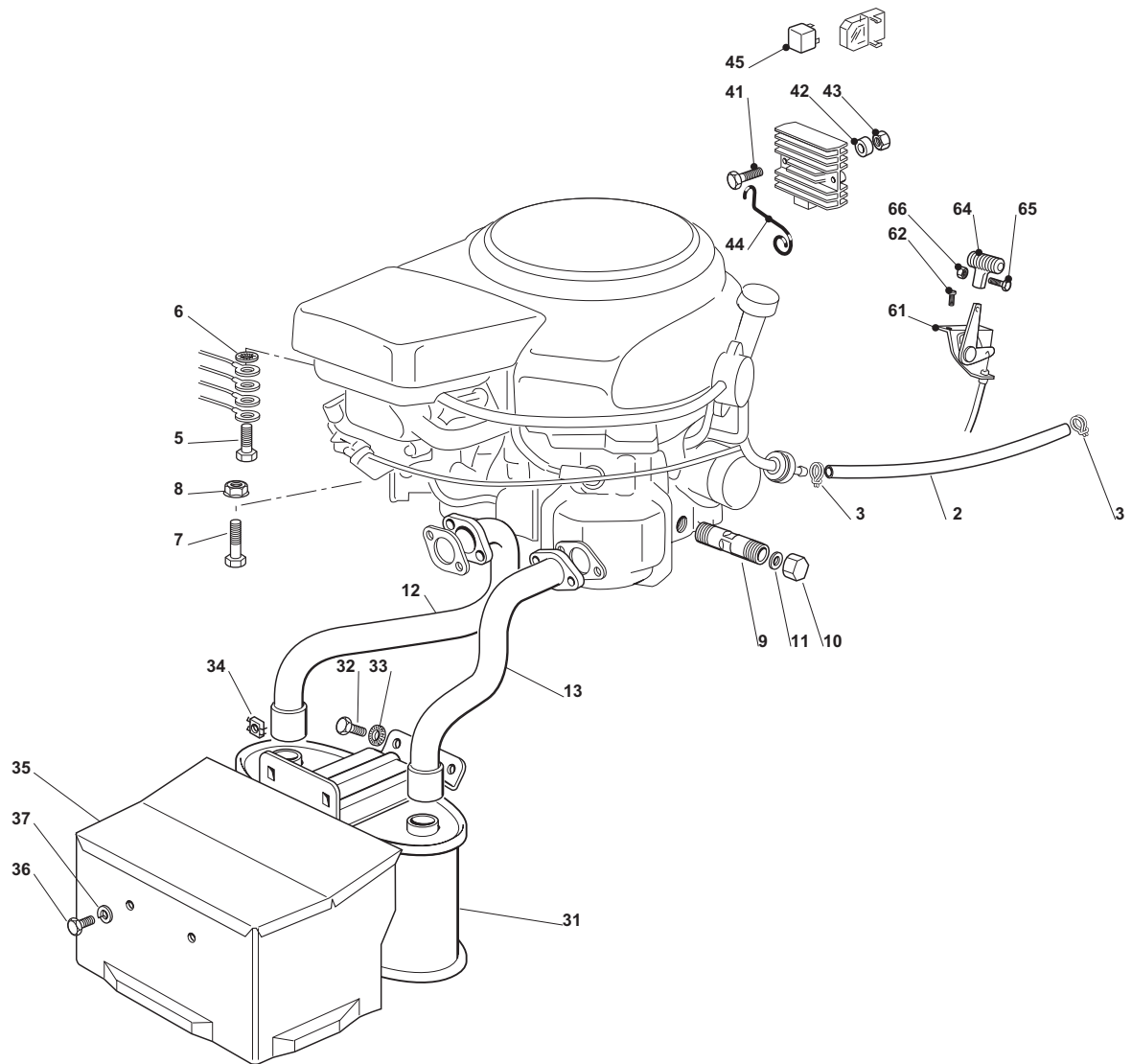


Engine - B&S 15.5 - 16.5 HP

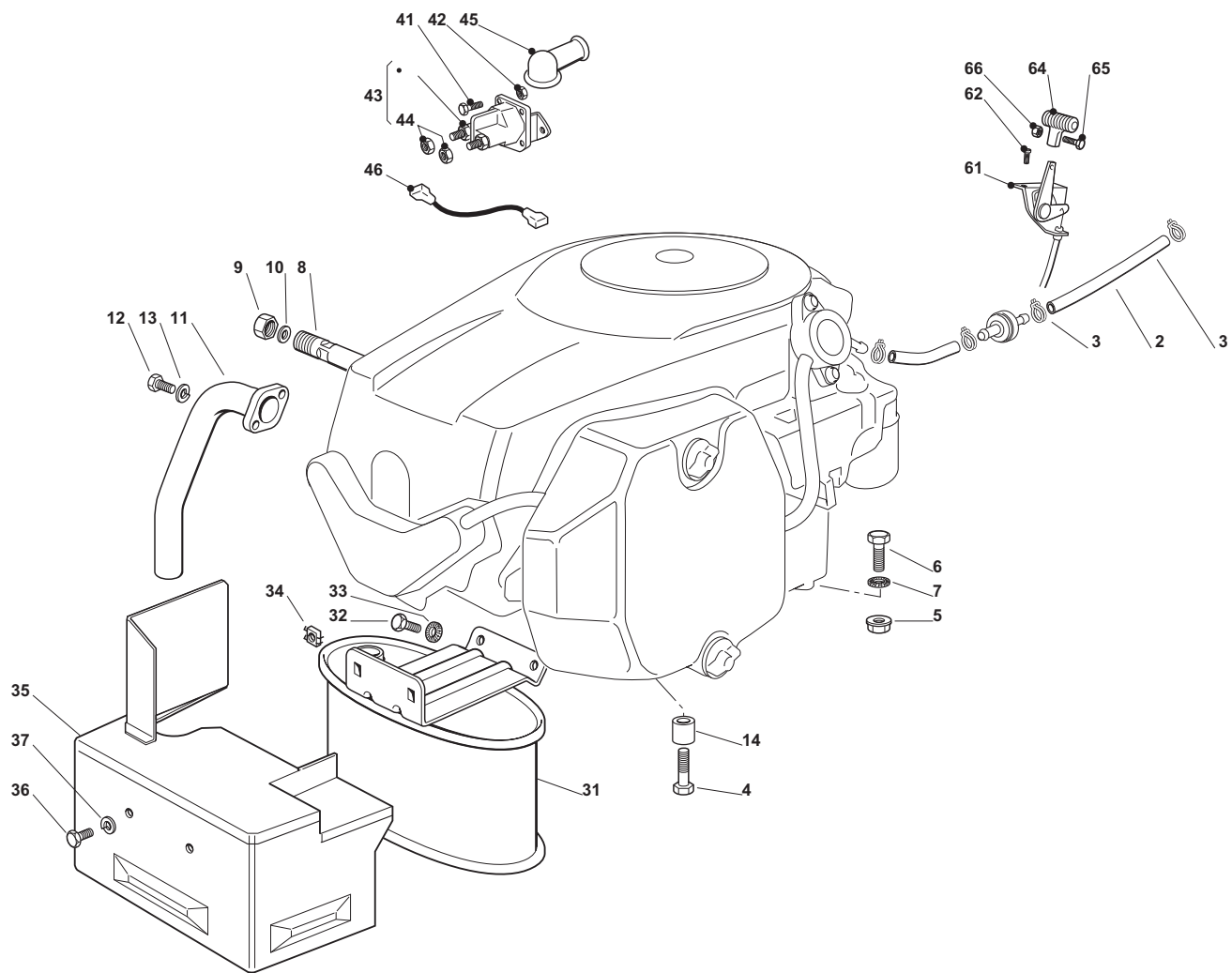
| POS | CODE | Q.TY | DESCRIZIONE | DESCRIPTION | DESCRIPTION | BESCHREIBUNG | NOTES |
|-----|-------------|------|-----------------------------|---------------------------|-----------------------------|---------------------------|-------|
| 2 | 25869057/0 | 1 | Tubo Collegamento (1000 Mm) | Connecting Tube (1000 Mm) | Tube De Connexion (1000 Mm) | Verbindungsrohr (1000 Mm) | |
| 3 | 18375051/1 | 2 | Fascetta | Fair Led | Fixation De Cable | Kabelbefestigung | |
| 4 | 18738206/0 | 1 | Tubo Scarico | Exhaust Tube | Tube Echappement | Abgasungrohr | |
| 5 | 12583500/0 | 2 | Grower | Grower | Grower | Grower | |
| 6 | 12735530/0 | 2 | Vite | Screw | Vis | Schraube | |
| 7 | 12691115/0 | 1 | Vite | Screw | Vis | Schraube | |
| 8 | 12540260/0 | 1 | Rondella | Washer | Rondelle | Scheibe | |
| 9 | 12154210/0 | 1 | Dado | Nut | Ecrou | Mutter | |
| 10 | 25598050/0 | 1 | Prolunga Scarico Olio | Oil Discharge Extension | Extension Dech. Huile | Öl Abfluss | |
| 11 | 18737849/0 | 1 | Tappo Per Prolunga | Oil Cap | Bouchon Huile | Oelverschluss | |
| 12 | 18401001/1 | 1 | Guarnizione | Oil Seal | Garniture | Dichtung | |
| 14 | 12793102/0 | 2 | Vite | Screw | Vis | Schraube | |
| 15 | 12540260/0 | 2 | Rondella | Washer | Rondelle | Scheibe | |
| 16 | 182750010/0 | 1 | Silenziatore | Muffler | Silenceux | Auspuff | |
| 17 | 12360425/0 | 2 | Dado | Nut (Mech.) | Ecrou | Mutter | |
| 18 | 82598009/2 | 1 | Protezione | Guard | Protection | Schutze | |
| 19 | 12792611/0 | 2 | Vite | Screw | Vis | Schraube | |
| 20 | 12583500/0 | 2 | Grower | Grower | Grower | Grower | |
| 24 | 12154210/0 | 3 | Dado | Nut | Ecrou | Mutter | |
| 25 | 12691100/0 | 3 | Vite | Screw | Vis | Schraube | |
| 41 | 12791213/1 | 2 | Vite | Screw | Vis | Schraube | |
| 42 | 12292102/0 | 2 | Dado | Nut | Ecrou | Mutter | |
| 43 | 18736110/0 | 1 | Relé Avviamento | Starter Relay | Relais D'Allumage | Anlassrelais | |
| 44 | 12360352/0 | 2 | Dado | Nut | Ecrou | Mutter | |
| 45 | 18564864/1 | 1 | Cappuccio | Protection | Capuchon | Stecker | |
| 46 | 25065017/0 | 1 | Cavo Relé Avv. | Cable | Cable | Kabel | |
| 61 | 82000200/1 | 1 | Acceleratore | Accelerator | Accelérateur | Gas Zug | |
| 62 | 125943012/0 | 2 | Vite | Screw | Vis | Schraube | |
| 64 | 25394501/0 | 1 | Manopolina | Handle | Poigne | Griff | |
| 65 | 12726388/0 | 1 | Vite | Screw | Vis | Schraube | |
| 66 | 12290800/0 | 1 | Dado | Nut | Ecrou | Mutter | |



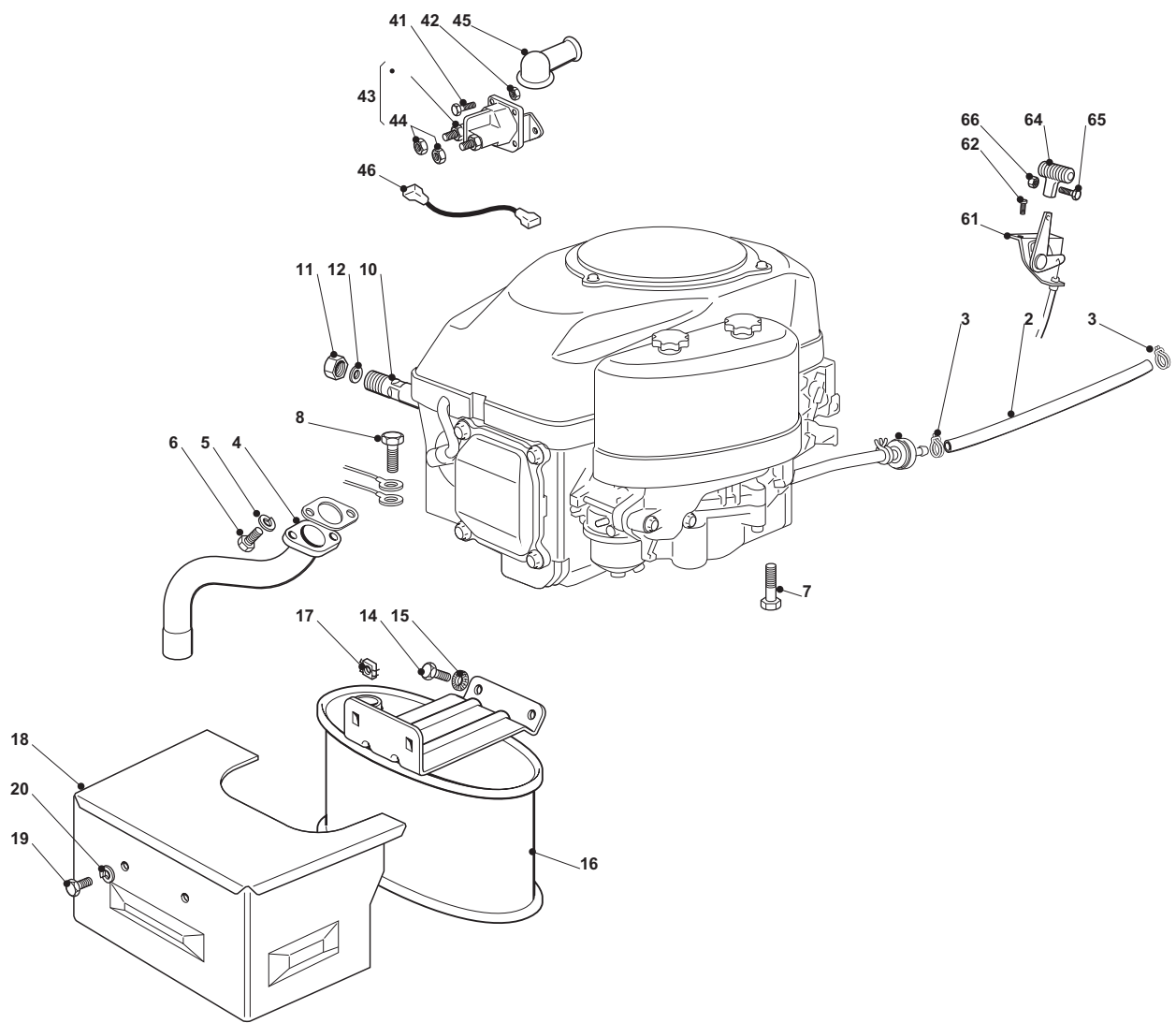
| Engine - Honda GXV 390 | | | | | | | |
|------------------------|-------------|------|-----------------------------|---------------------------|-----------------------------------|-----------------------------|-------|
| POS | CODE | Q.TY | DESCRIZIONE | DESCRIPTION | DESCRIPTION | BESCHREIBUNG | NOTES |
| 2 | 25869057/0 | 1 | Tube Collegamento (1000 Mm) | Connecting Tube (1000 Mm) | Tube De Connexion (1000 Mm) | Verbindungsrohr (1000 Mm) | |
| 3 | 18375051/1 | 4 | Fascetta | Fair Led | Fixation De Cable | Kabelbefestigung | |
| 4 | 18738204/0 | 1 | Tube Scarico | Exhaust Tube | Tube Echappement | Abgasungrohr | |
| 5 | 12583500/0 | 2 | Grower | Grower | Grower | Grower | |
| 6 | 12793102/0 | 2 | Vite | Screw | Vis | Schraube | |
| 7 | 12735802/0 | 2 | Vite | Screw | Vis | Schraube | |
| 8 | 12583500/0 | 2 | Grower | Grower | Grower | Grower | |
| 9 | 12691100/0 | 2 | Vite | Screw | Vis | Schraube | |
| 10 | 12154210/0 | 2 | Dado | Nut | Ecrou | Mutter | |
| 11 | 12155000/0 | 1 | Dado | Nut | Ecrou | Mutter | |
| 12 | 27598061/1 | 1 | Prolunga Scarico Olio | Oil Discharge Extension | Extension Rallonge De Dech. Huile | Öl Entlerungsverlaen Gerung | |
| 13 | 18737849/0 | 1 | Tappo Per Prolunga | Oil Cap | Bouchon Huile | Oelverschluss | |
| 14 | 18401001/1 | 1 | Guarnizione | Oil Seal | Garniture | Dichtung | |
| 15 | 12792611/0 | 2 | Vite | Screw | Vis | Schraube | |
| 16 | 12540260/0 | 2 | Rondella | Washer | Rondelle | Scheibe | |
| 17 | 182750010/0 | 1 | Silenziatore | Muffler | Silenceux | Auspuff | |
| 18 | 12360425/0 | 2 | Dado | Nut (Mech.) | Ecrou | Mutter | |
| 19 | 82598003/1 | 1 | Protezione | Guard | Protection | Schutze | |
| 20 | 125943012/0 | 2 | Vite | Screw | Vis | Schraube | |
| 21 | 12583500/0 | 2 | Grower | Grower | Grower | Grower | |
| 41 | 12815221/0 | 2 | Vite | Screw | Vis | Schraube | |
| 42 | 22170950/0 | 2 | Distanziale | Spacer | Entretoise | Entfernungsstück | |
| 43 | 12292102/0 | 2 | Dado | Nut | Ecrou | Mutter | |
| 44 | 27430561/0 | 1 | Molla | Spring | Ressort | Feder | |
| 45 | 33567000/0 | 1 | Rele' | Relay | Relais | Relais | |
| 61 | 82000200/1 | 1 | Acceleratore | Accelerator | Accelérateur | Gas Zug | |
| 62 | 12788512/0 | 2 | Vite | Screw | Vis | Schraube | |
| 64 | 25394501/0 | 1 | Manopolina | Handle | Poigne | Griff | |
| 65 | 12726388/0 | 1 | Vite | Screw | Vis | Schraube | |
| 66 | 12290800/0 | 1 | Dado | Nut | Ecrou | Mutter | |
| 71 | 125090007/0 | 1 | Comando Starter | Choke Control | Commande Starter | Starter Betaetigung | |



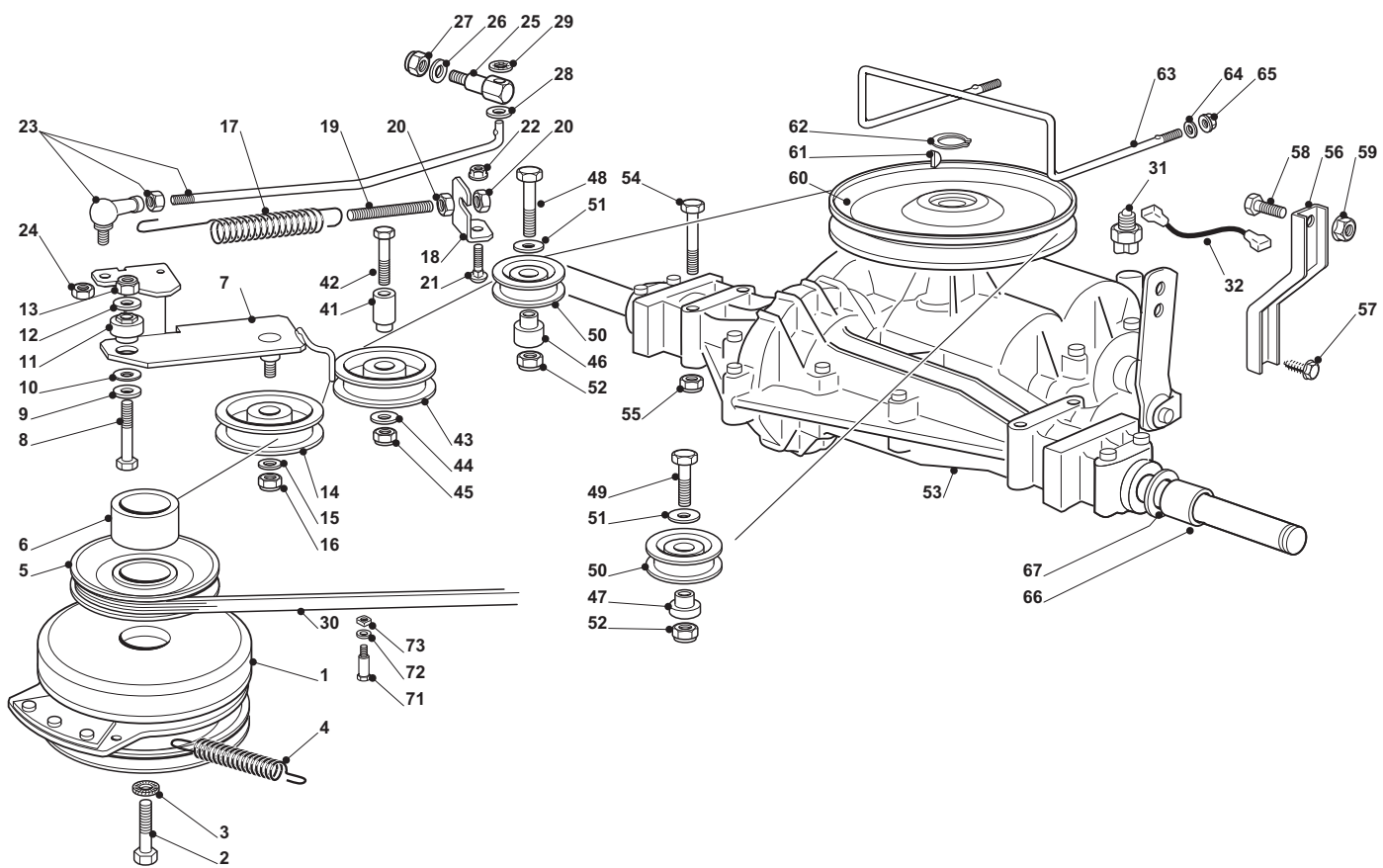
| Engine - Honda GCV 530 | | | | | | | |
|------------------------|-------------|------|-----------------------------|---------------------------|-----------------------------|---------------------------|-------|
| POS | CODE | Q.TY | DESCRIZIONE | DESCRIPTION | DESCRIPTION | BESCHREIBUNG | NOTES |
| 2 | 25869057/0 | 1 | Tubo Collegamento (1000 Mm) | Connecting Tube (1000 Mm) | Tube De Connexion (1000 Mm) | Verbindungsrohr (1000 Mm) | |
| 3 | 18375051/1 | 2 | Fascetta | Fair Led | Fixation De Cable | Kabelbefestigung | |
| 5 | 12735599/0 | 1 | Vite | Screw | Vis | Schraube | |
| 6 | 12540260/0 | 1 | Rondella | Washer | Rondelle | Scheibe | |
| 7 | 12691115/0 | 4 | Vite | Screw | Vis | Schraube | |
| 8 | 12154210/0 | 4 | Dado | Nut | Ecrou | Mutter | |
| 9 | 125598052/1 | 1 | Prolunga Scarico Olio | Oil Discharge Extension | Extension Dech. Huile | Öl Abfluss | |
| 10 | 18737849/0 | 1 | Tappo Per Prolunga | Oil Cap | Bouchon Huile | Oelverschluss | |
| 11 | 18401001/1 | 1 | Guarnizione | Oil Seal | Garniture | Dichtung | |
| 12 | 18738221/0 | 1 | Tubo Scarico Destro | Exhaust Tube Right | Tube Echappement Droit | Abgasungrohr, Rechte | |
| 13 | 18738222/0 | 1 | Tubo Scarico Sinistro | Exhaust Tube Left | Tube Echappement Gau. | Abgasungrohr, Linke | |
| 31 | 82750003/0 | 1 | Silenziatore | Muffler | Silenceux | Auspuff | |
| 32 | 12793102/0 | 2 | Vite | Screw | Vis | Schraube | |
| 33 | 12540260/0 | 2 | Rondella | Washer | Rondelle | Scheibe | |
| 34 | 12360425/0 | 2 | Dado | Nut (Mech.) | Ecrou | Mutter | |
| 35 | 82598005/2 | 1 | Protezione | Guard | Protection | Schutze | |
| 36 | 12792611/0 | 2 | Vite | Screw | Vis | Schraube | |
| 37 | 12583500/0 | 2 | Grower | Grower | Grower | Grower | |
| 41 | 12815221/0 | 2 | Vite | Screw | Vis | Schraube | |
| 42 | 22170950/0 | 2 | Distanziale | Spacer | Entretoise | Entfernungsstück | |
| 43 | 12292102/0 | 2 | Dado | Nut | Ecrou | Mutter | |
| 44 | 27430561/0 | 1 | Molla | Spring | Ressort | Feder | |
| 45 | 33567000/0 | 1 | Rele' | Relay | Relais | Relais | |
| 61 | 82000200/1 | 1 | Acceleratore | Accelerator | Accelérateur | Gas Zug | |
| 62 | 125943012/0 | 2 | Vite | Screw | Vis | Schraube | |
| 64 | 25394501/0 | 1 | Manopolina | Handle | Poigne | Griff | |
| 65 | 12726388/0 | 1 | Vite | Screw | Vis | Schraube | |
| 66 | 12290800/0 | 1 | Dado | Nut | Ecrou | Mutter | |



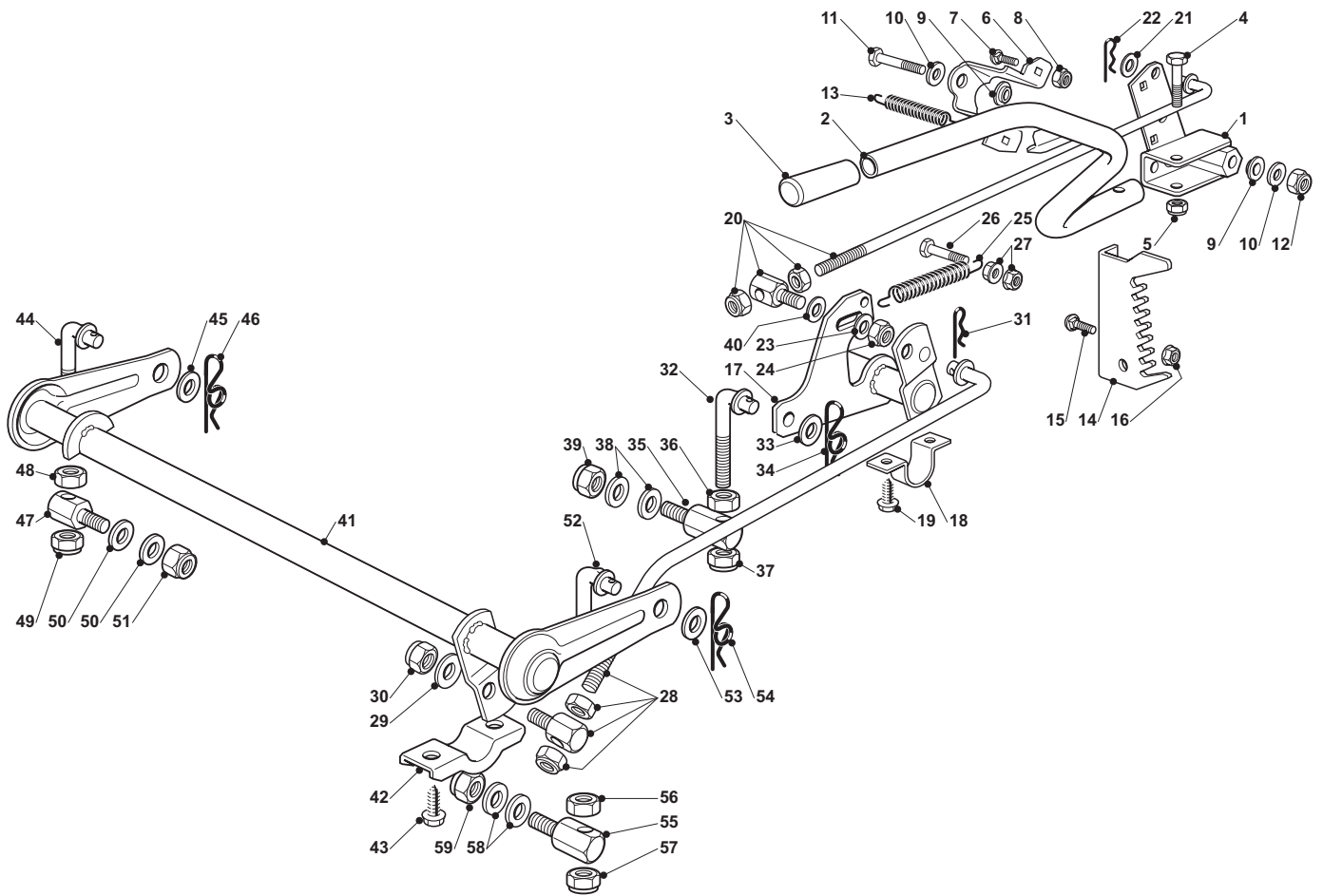
| Engine - Kohler 16 HP | | | | | | | |
|-----------------------|-------------|------|-----------------------------|---------------------------|-----------------------------|---------------------------|-------|
| POS | CODE | Q.TY | DESCRIZIONE | DESCRIPTION | DESCRIPTION | BESCHREIBUNG | NOTES |
| 2 | 25869057/0 | 1 | Tubo Collegamento (1000 Mm) | Connecting Tube (1000 Mm) | Tube De Connexion (1000 Mm) | Verbindungsrohr (1000 Mm) | |
| 3 | 18375051/1 | 2 | Fascetta | Fair Led | Fixation De Cable | Kabelbefestigung | |
| 4 | 112735108/1 | 3 | Vite | Screw | Vis | Schraube | |
| 5 | 12154210/0 | 1 | Dado | Nut | Ecrou | Mutter | |
| 6 | 12691115/0 | 1 | Vite | Screw | Vis | Schraube | |
| 7 | 12540260/0 | 1 | Rondella | Washer | Rondelle | Scheibe | |
| 8 | 27598060/0 | 1 | Prolunga Scarico Olio | Oil Discharge Extension | Extension Dech. Huile | Öl Abfluss | |
| 9 | 18737849/0 | 1 | Tappo Per Prolunga | Oil Cap | Bouchon Huile | Oelverschluss | |
| 10 | 18401001/1 | 1 | Guarnizione | Oil Seal | Garniture | Dichtung | |
| 11 | 18738227/0 | 1 | Tubo Scarico | Exhaust Tube | Tube Echappement | Abgasungrohr | |
| 12 | 12735530/0 | 2 | Vite | Screw | Vis | Schraube | |
| 13 | 12583500/0 | 2 | Grower | Grower | Grower | Grower | |
| 14 | 25160035/0 | 3 | Distanziale | Spacer | Entretoise | Entfernungsstück | |
| 31 | 182750010/0 | 1 | Silenziatore | Muffler | Silenceux | Auspuff | |
| 32 | 12793102/0 | 2 | Vite | Screw | Vis | Schraube | |
| 33 | 12540260/0 | 2 | Rondella | Washer | Rondelle | Scheibe | |
| 34 | 12360425/0 | 2 | Dado | Nut (Mech.) | Ecrou | Mutter | |
| 35 | 82598029/0 | 1 | Protezione | Guard | Protection | Schutze | |
| 36 | 12792611/0 | 2 | Vite | Screw | Vis | Schraube | |
| 37 | 12583500/0 | 2 | Grower | Grower | Grower | Grower | |
| 41 | 12791213/1 | 2 | Vite | Screw | Vis | Schraube | |
| 42 | 12292102/0 | 2 | Dado | Nut | Ecrou | Mutter | |
| 43 | 18736110/0 | 1 | Relé Avviamento | Starter Relay | Relais D'Allumage | Anlassrelais | |
| 44 | 12360352/0 | 2 | Dado | Nut | Ecrou | Mutter | |
| 45 | 18564864/1 | 1 | Cappuccio | Protection | Capuchon | Stecker | |
| 46 | 25065017/0 | 1 | Cavo Relé Avv. | Cable | Cable | Kabel | |
| 61 | 82000200/1 | 1 | Acceleratore | Accelerator | Accelérateur | Gas Zug | |
| 62 | 125943012/0 | 2 | Vite | Screw | Vis | Schraube | |
| 64 | 25394501/0 | 1 | Manopolina | Handle | Poigne | Griff | |
| 65 | 12726388/0 | 1 | Vite | Screw | Vis | Schraube | |
| 66 | 12290800/0 | 1 | Dado | Nut | Ecrou | Mutter | |



| Engine - GGP | | | | | | | |
|--------------|-------------|------|-----------------------------|---------------------------|-----------------------------|---------------------------|-------|
| POS | CODE | Q.TY | DESCRIZIONE | DESCRIPTION | DESCRIPTION | BESCHREIBUNG | NOTES |
| 2 | 25869057/0 | 1 | Tubo Collegamento (1000 Mm) | Connecting Tube (1000 Mm) | Tube De Connexion (1000 Mm) | Verbindungsrohr (1000 Mm) | |
| 3 | 18375051/1 | 4 | Fascetta | Fair Led | Fixation De Cable | Kabelbefestigung | |
| 4 | 118738231/1 | 1 | Tubo Scarico | Exhaust Tube | Tube Echappement | Abgasrohr | |
| 5 | 12583500/0 | 2 | Grower | Grower | Grower | Grower | |
| 6 | 12737450/0 | 2 | Vite | Screw | Vis | Schraube | |
| 7 | 112735108/1 | 4 | Vite | Screw | Vis | Schraube | |
| 8 | 12735599/0 | 1 | Vite | Screw | Vis | Schraube | |
| 10 | 27598060/0 | 1 | Prolunga Scarico Olio | Oil Discharge Extension | Extension Dech. Huile | Öl Abfluss | |
| 11 | 18737849/0 | 1 | Tappo Per Prolunga | Oil Cap | Bouchon Huile | Ölverschluss | |
| 12 | 18401001/1 | 1 | Guarnizione | Oil Seal | Garniture | Dichtung | |
| 14 | 12793102/0 | 2 | Vite | Screw | Vis | Schraube | |
| 15 | 12540260/0 | 2 | Rondella | Washer | Rondelle | Scheibe | |
| 16 | 182750010/0 | 1 | Silenziatore | Muffler | Silenceux | Auspuff | |
| 17 | 12360425/0 | 2 | Dado | Nut (Mech.) | Ecrou | Mutter | |
| 18 | 382598039/0 | 1 | Protezione | Guard | Protection | Schutze | |
| 19 | 12792611/0 | 2 | Vite | Screw | Vis | Schraube | |
| 20 | 12583500/0 | 2 | Grower | Grower | Grower | Grower | |
| 41 | 12791213/1 | 2 | Vite | Screw | Vis | Schraube | |
| 42 | 12292102/0 | 2 | Dado | Nut | Ecrou | Mutter | |
| 43 | 18736110/0 | 1 | Relé Avviamento | Starter Relay | Relais D'Allumage | Anlassrelais | |
| 44 | 12360352/0 | 2 | Dado | Nut | Ecrou | Mutter | |
| 45 | 18564864/1 | 1 | Cappuccio | Protection | Capuchon | Stecker | |
| 46 | 25065017/0 | 1 | Cavo Relé Avv. | Cable | Cable | Kabel | |
| 61 | 182000212/0 | 1 | Acceleratore | Accelerator | Accelérateur | Gas Zug | |
| 62 | 125943012/0 | 2 | Vite | Screw | Vis | Schraube | |
| 64 | 25394501/0 | 1 | Manopolina | Handle | Poigne | Griff | |
| 65 | 12726388/0 | 1 | Vite | Screw | Vis | Schraube | |
| 66 | 12290800/0 | 1 | Dado | Nut | Ecrou | Mutter | |

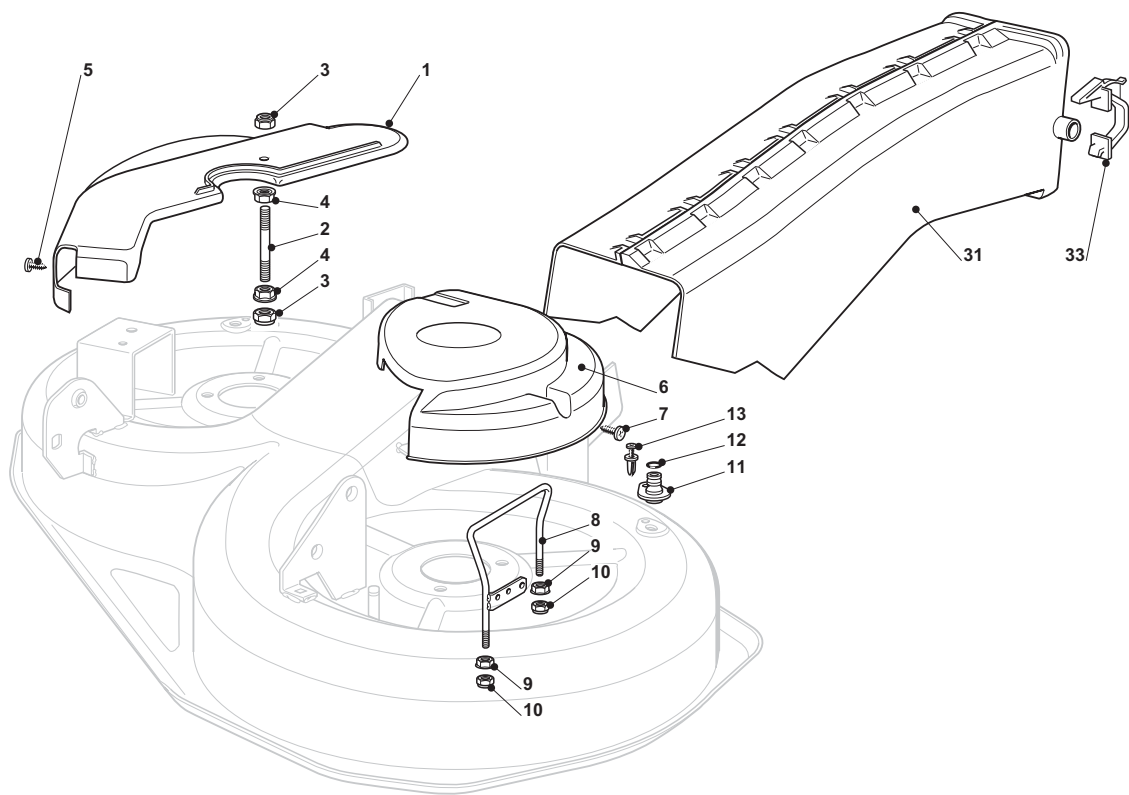


| Transmission | | | | | | | |
|--------------|-------------|------|---------------------------------|--------------------|-----------------------------|-----------------------------|---------------|
| POS | CODE | Q.TY | DESCRIZIONE | DESCRIPTION | DESCRIPTION | BESCHREIBUNG | NOTES |
| 1 | 118399063/0 | 1 | Frizione | Clutc | Embrajage | Kupplung | |
| 2 | 12737320/0 | 1 | Vite | Screw | Vis | Schraube | |
| 3 | 12543000/0 | 1 | Rosetta | Washer | Rondelle | Scheibe | |
| 4 | 122430216/1 | 1 | Molla | Spring | Ressort | Feder | |
| 5 | 25601567/0 | 1 | Puleggia | Pulley | Poulie | Riemenscheibe | |
| 6 | 25160021/0 | 1 | Distanziale | Spacer | Entretoise | Entfernungsstück | |
| 7 | 82318217/0 | 1 | Leva | Lever | Levier | Hebel | |
| 8 | 12691115/0 | 1 | Vite | Screw | Vis | Schraube | |
| 9 | 12523060/0 | 1 | Rondella | Washer | Rondelle | Scheibe | |
| 10 | 27670055/0 | 1 | Rondella | Washer | Rondelle | Scheibe | |
| 11 | 25510087/0 | 1 | Perno | Pin | Pivot | Bolzen | |
| 12 | 12523060/0 | 1 | Rondella | Washer | Rondelle | Scheibe | |
| 13 | 12155000/0 | 1 | Dado | Nut | Ecrou | Mutter | |
| 14 | 25601554/0 | 1 | Puleggia | Pulley | Poulie | Riemenscheibe | |
| 15 | 12523060/0 | 1 | Rondella | Washer | Rondelle | Scheibe | |
| 16 | 12155000/0 | 1 | Dado | Nut | Ecrou | Mutter | |
| 17 | 25430260/0 | 1 | Molla | Spring | Ressort | Feder | |
| 18 | 25755049/0 | 1 | Squadretta | Bracket | Equerre-Support | Winkel | |
| 19 | 25840005/0 | 1 | Tirante | Tie Rod | Tirant | Spannstange | |
| 20 | 12293200/0 | 2 | Dado | Nut | Ecrou | Mutter | |
| 21 | 12818690/0 | 1 | Vite | Screw | Vis | Schraube | |
| 22 | 12293201/0 | 1 | Dado | Nut | Ecrou | Mutter | |
| 23 | 82820013/0 | 1 | Ass. Tirante | Tie Rod Ass.Y | Ens. Tirant | Spannstange, Komplet | |
| 24 | 12155000/0 | 1 | Dado | Nut | Ecrou | Mutter | |
| 25 | 25510063/0 | 1 | Perno | Pin | Pivot | Bolzen | |
| 26 | 25670011/0 | 2 | Rondella | Washer | Rondelle | Scheibe | |
| 27 | 12155000/0 | 1 | Dado | Nut | Ecrou | Mutter | |
| 28 | 12521350/0 | 1 | Rondella | Washer | Rondelle | Scheibe | |
| 29 | 12604899/0 | 1 | Fissatore A Corona | Crown Fastener | Fixateur A Couronne | Kronescheibe | |
| 30 | 35062012/0 | 1 | Cinghia | Belt | Courroie | Riemen | |
| 31 | 19410610/0 | 1 | Interrutt. Cambio | Gearbox Switch | Int. Boîte De Vitesse | Antrieb Schalter | |
| 32 | 25065026/0 | 1 | Cabl. Micro Folle | Cable | Cables | Kabel | |
| 41 | 125510100/0 | 1 | Perno | Pin | Pivot | Bolzen | |
| 42 | 12691800/0 | 1 | Vite | Screw | Vis | Schraube | |
| 43 | 25601555/0 | 1 | Puleggia | Pulley | Poulie | Riemenscheibe | |
| 44 | 12523060/0 | 1 | Rondella | Washer | Rondelle | Scheibe | |
| 45 | 12155000/0 | 1 | Dado | Nut | Ecrou | Mutter | |
| 46 | 125160014/1 | 1 | Distanziale Destro | Right Spacer | Entretoise Droite | Rechter Entfernungs Stück | |
| 47 | 125160018/1 | 1 | Distanziale Sinistro | Left Spacer | Entretoise Gauche | Linker Entfernungsstück | |
| 48 | 12691200/0 | 1 | Vite | Screw | Vis | Schraube | |
| 49 | 12691100/0 | 1 | Vite | Screw | Vis | Schraube | |
| 50 | 125601588/0 | 2 | Puleggia | Pulley | Poulie | Riemenscheibe | |
| 51 | 22671653/0 | 2 | Rosetta | Washer | Rondelle | Scheibe | |
| 52 | 12155000/0 | 2 | Dado | Nut | Ecrou | Mutter | |
| 53 | 18400912/0 | 1 | Asse Posteriore (Dana 4360-211) | Rear Axle | Axe Arriere (Dana 4360-211) | Hinterachse (Dana 4360-211) | Dana 4360-211 |
| 54 | 12691900/0 | 4 | Vite | Screw | Vis | Schraube | |
| 55 | 12154210/0 | 4 | Dado | Nut | Ecrou | Mutter | |
| 56 | 25774247/0 | 2 | Staffa | Clamp | Etrier | Bride | |
| 57 | 12735150/0 | 2 | Vite | Screw | Vis | Schraube | |
| 58 | 12792611/0 | 2 | Vite | Screw | Vis | Schraube | |
| 59 | 12293201/0 | 2 | Dado | Nut | Ecrou | Mutter | |
| 60 | 82601509/0 | 1 | Puleggia | Pulley | Poulie | Riemenscheibe | |
| 61 | 12139430/0 | 1 | Linguetta | Key | Clavette | Keil | |
| 62 | 12608950/0 | 1 | Anello Elastico | Snap Ring | Anneau Ressort | Sprengring | |
| 63 | 25270321/0 | 1 | Guidacinghia | Belt Guide | Guide De Courroie | Riemenführung | |
| 64 | 12523040/0 | 2 | Rosetta | Washer | Rondelle | Scheibe | |
| 65 | 12292102/0 | 2 | Dado | Nut | Ecrou | Mutter | |
| 66 | 25160034/0 | 2 | Distanziale | Spacer | Entretoise | Entfernungsstück | |
| 67 | 12521410/0 | 2-4 | Rosetta | Washer | Rondelle | Scheibe | |
| 71 | 25580030/0 | 2 | Piolo Guidacinghia (Mecc.) | Belt Guide (Mech.) | Guide De Courroie (Mec.) | Riemenführung (Mech.) | |
| 72 | 12523060/0 | 2 | Rondella | Washer | Rondelle | Scheibe | |
| 73 | 12360425/0 | 2 | Dado | Nut (Mech.) | Ecrou | Mutter | |

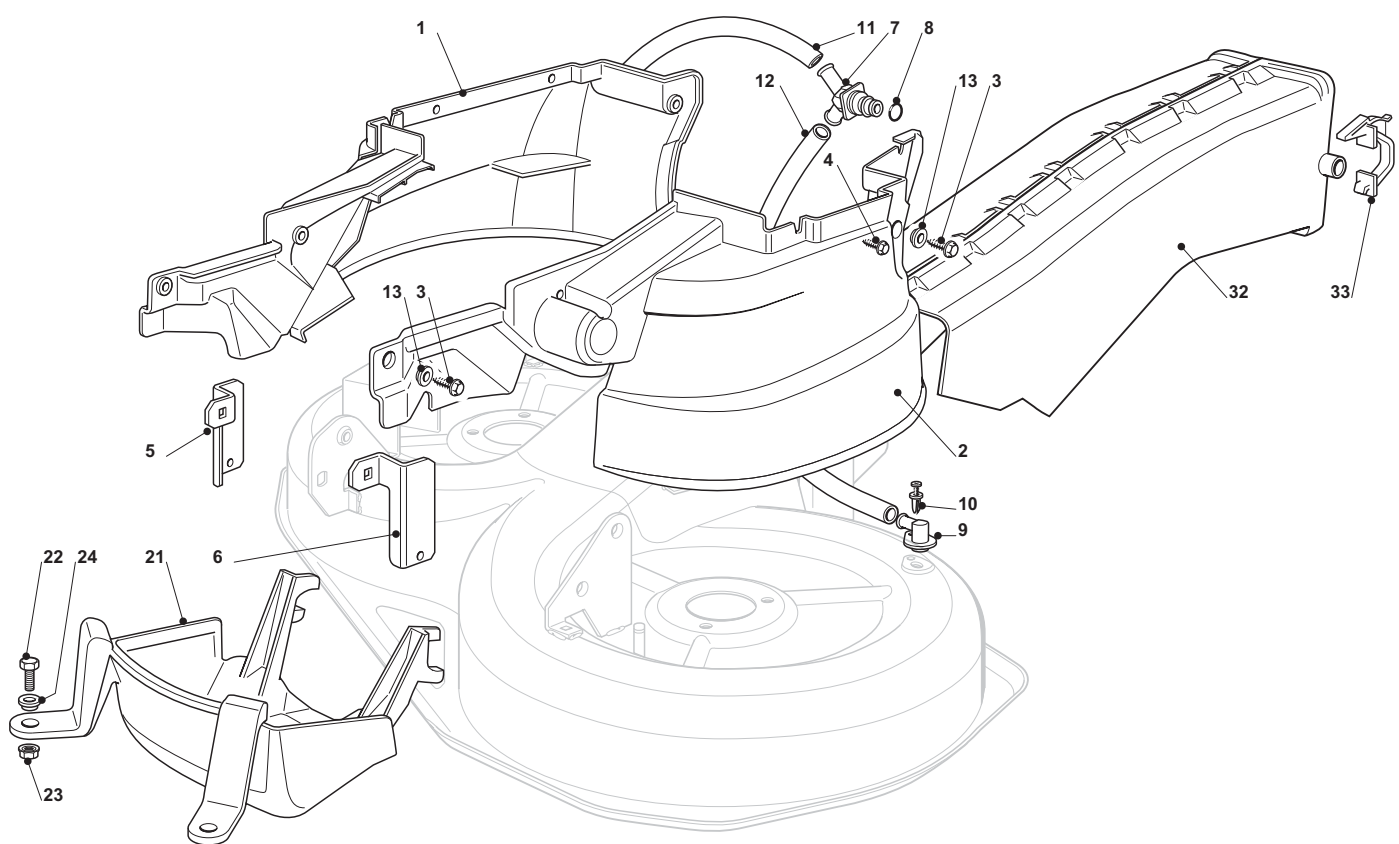


Cutting Plate Lifting

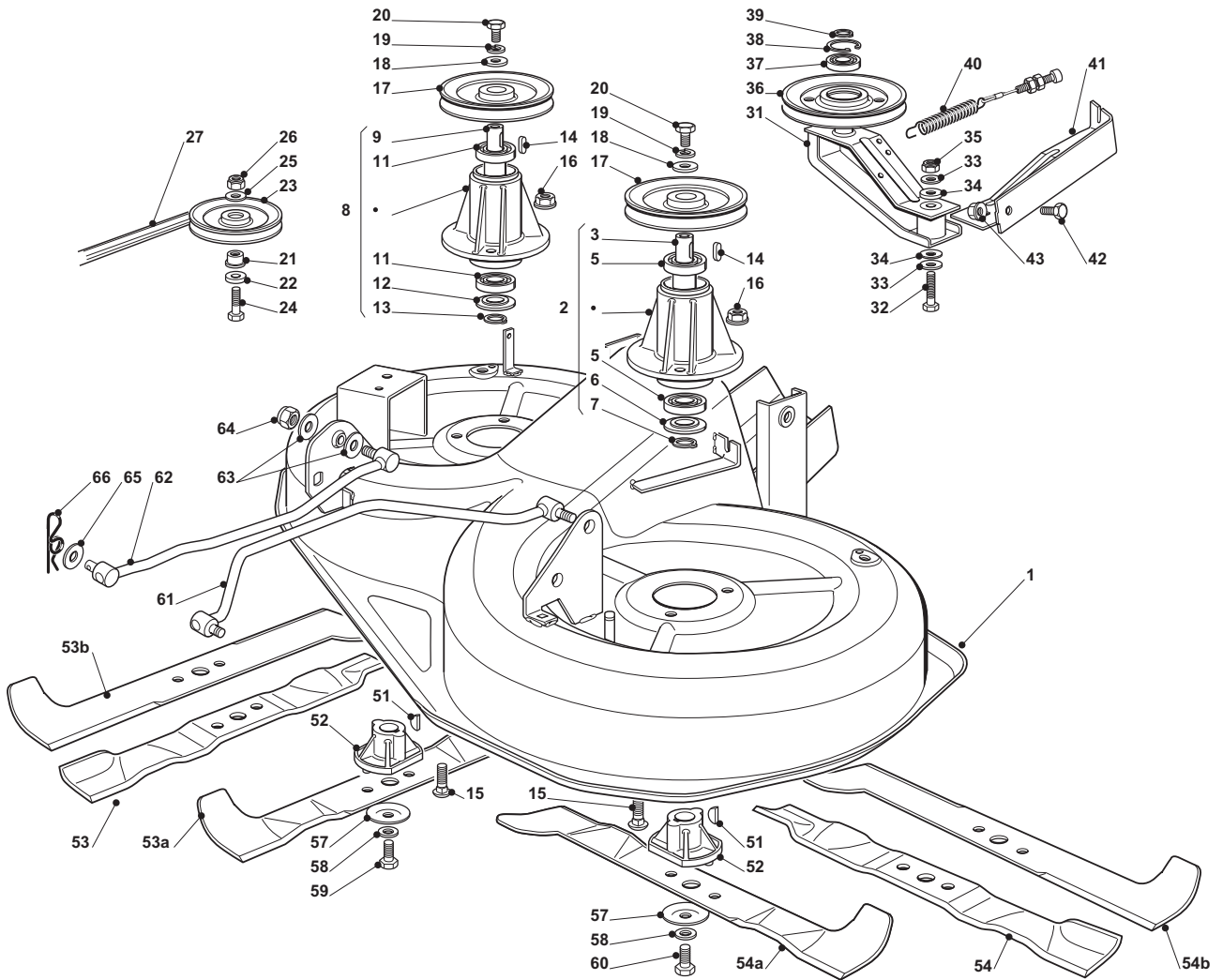
| POS | CODE | Q.TY | DESCRIZIONE | DESCRIPTION | DESCRIPTION | BESCHREIBUNG | NOTES |
|-----|-------------|------|-------------------|----------------|-------------------|-----------------|-------|
| 1 | 82774249/0 | 1 | Staffa | Clamp | Bride | Bride | |
| 2 | 382318219/1 | 1 | Leva | Lever | Levier | Hebel | |
| 3 | 25394508/0 | 1 | Manopola | Handle | Poingee | Griff | |
| 4 | 12674700/0 | 1 | Vite | Screw | Vis | Schraube | |
| 5 | 12154510/0 | 1 | Dado | Nut | Ecrou | Mutter | |
| 6 | 25650113/0 | 1 | Piastrina | Plate | Plaque | Platte | |
| 7 | 12818690/0 | 2 | Vite | Screw | Vis | Schraube | |
| 8 | 12155000/0 | 2 | Dado | Nut | Ecrou | Mutter | |
| 9 | 22041980/0 | 2 | Bussola | Bush | Douille | Büchse | |
| 10 | 12523060/0 | 2 | Rondella | Washer | Rondelle | Scheibe | |
| 11 | 12691600/0 | 1 | Vite | Screw | Vis | Schraube | |
| 12 | 12155000/0 | 1 | Dado | Nut | Ecrou | Mutter | |
| 13 | 25430259/0 | 1 | Molla | Spring | Ressort | Feder | |
| 14 | 25735511/0 | 1 | Settore | Sector | Secteur | Sektor | |
| 15 | 12818690/0 | 2 | Vite | Screw | Vis | Schraube | |
| 16 | 12293201/0 | 2 | Dado | Nut | Ecrou | Mutter | |
| 17 | 82000387/0 | 1 | Asse Sollevamento | Axle | Axe | Achse | |
| 18 | 325547041/1 | 2 | Piastrina | Plate | Plaque | Platte | |
| 19 | 12731580/0 | 4 | Vite | Screw | Vis | Schraube | |
| 20 | 382000618/0 | 1 | Asta | Rod | Tige | Stab | |
| 21 | 25670011/0 | 1 | Rondella | Washer | Rondelle | Scheibe | |
| 22 | 24487998/0 | 1 | Coppiglia | Cotter Pin | Goupille | Splint | |
| 23 | 12523040/0 | 1 | Rosetta | Washer | Rondelle | Scheibe | |
| 24 | 12154210/0 | 1 | Dado | Nut | Ecrou | Mutter | |
| 25 | 22446402/0 | 1 | Molla | Spring | Ressort | Feder | |
| 26 | 12792410/0 | 1 | Vite | Screw | Vis | Schraube | |
| 27 | 12292102/0 | 2 | Dado | Nut | Ecrou | Mutter | |
| 28 | 82000537/0 | 1 | Asta Collegamento | Connecting Rod | Tige De Connexion | Verbindungsstab | |
| 29 | 25670008/1 | 2 | Rondella | Washer | Rondelle | Scheibe | |
| 30 | 12156602/0 | 1 | Dado | Nut | Ecrou | Mutter | |
| 31 | 24487998/0 | 1 | Coppiglia | Cotter Pin | Goupille | Splint | |
| 32 | 25840025/0 | 1 | Tirante | Tie Rod | Tirant | Spannstange | |
| 33 | 25670008/1 | 1 | Rondella | Washer | Rondelle | Scheibe | |
| 34 | 24487998/0 | 1 | Coppiglia | Cotter Pin | Goupille | Splint | |
| 35 | 25510090/0 | 1 | Perno | Pin | Pivot | Bolzen | |
| 36 | 12295200/0 | 1 | Dado | Nut | Ecrou | Mutter | |
| 37 | 12156602/0 | 1 | Dado | Nut | Ecrou | Mutter | |
| 38 | 25670008/1 | 2 | Rondella | Washer | Rondelle | Scheibe | |
| 39 | 12156602/0 | 1 | Dado | Nut | Ecrou | Mutter | |
| 40 | 12521360/0 | 2 | Rondella | Washer | Rondelle | Scheibe | |
| 41 | 82000385/0 | 1 | Asse Sollevamento | Axle | Axe | Achse | |
| 42 | 27546015/1 | 2 | Piastrina | Plate | Plaque | Platte | |
| 43 | 12731350/0 | 4 | Vite | Screw | Vis | Schraube | |
| 44 | 25840024/0 | 1 | Tirante | Tie Rod | Tirant | Spannstange | |
| 45 | 25670008/1 | 1 | Rondella | Washer | Rondelle | Scheibe | |
| 46 | 24487998/0 | 1 | Coppiglia | Cotter Pin | Goupille | Splint | |
| 47 | 25510098/0 | 1 | Perno | Pin | Pivot | Bolzen | |
| 48 | 12295200/0 | 1 | Dado | Nut | Ecrou | Mutter | |
| 49 | 12156602/0 | 1 | Dado | Nut | Ecrou | Mutter | |
| 50 | 25670008/1 | 2 | Rondella | Washer | Rondelle | Scheibe | |
| 51 | 12156602/0 | 1 | Dado | Nut | Ecrou | Mutter | |
| 52 | 25840025/0 | 1 | Tirante | Tie Rod | Tirant | Spannstange | |
| 53 | 25670008/1 | 1 | Rondella | Washer | Rondelle | Scheibe | |
| 54 | 24487998/0 | 1 | Coppiglia | Cotter Pin | Goupille | Splint | |
| 55 | 25510090/0 | 1 | Perno | Pin | Pivot | Bolzen | |
| 56 | 12295200/0 | 1 | Dado | Nut | Ecrou | Mutter | |
| 57 | 12156602/0 | 1 | Dado | Nut | Ecrou | Mutter | |
| 58 | 25670008/1 | 2 | Rondella | Washer | Rondelle | Scheibe | |
| 59 | 12156602/0 | 1 | Dado | Nut | Ecrou | Mutter | |



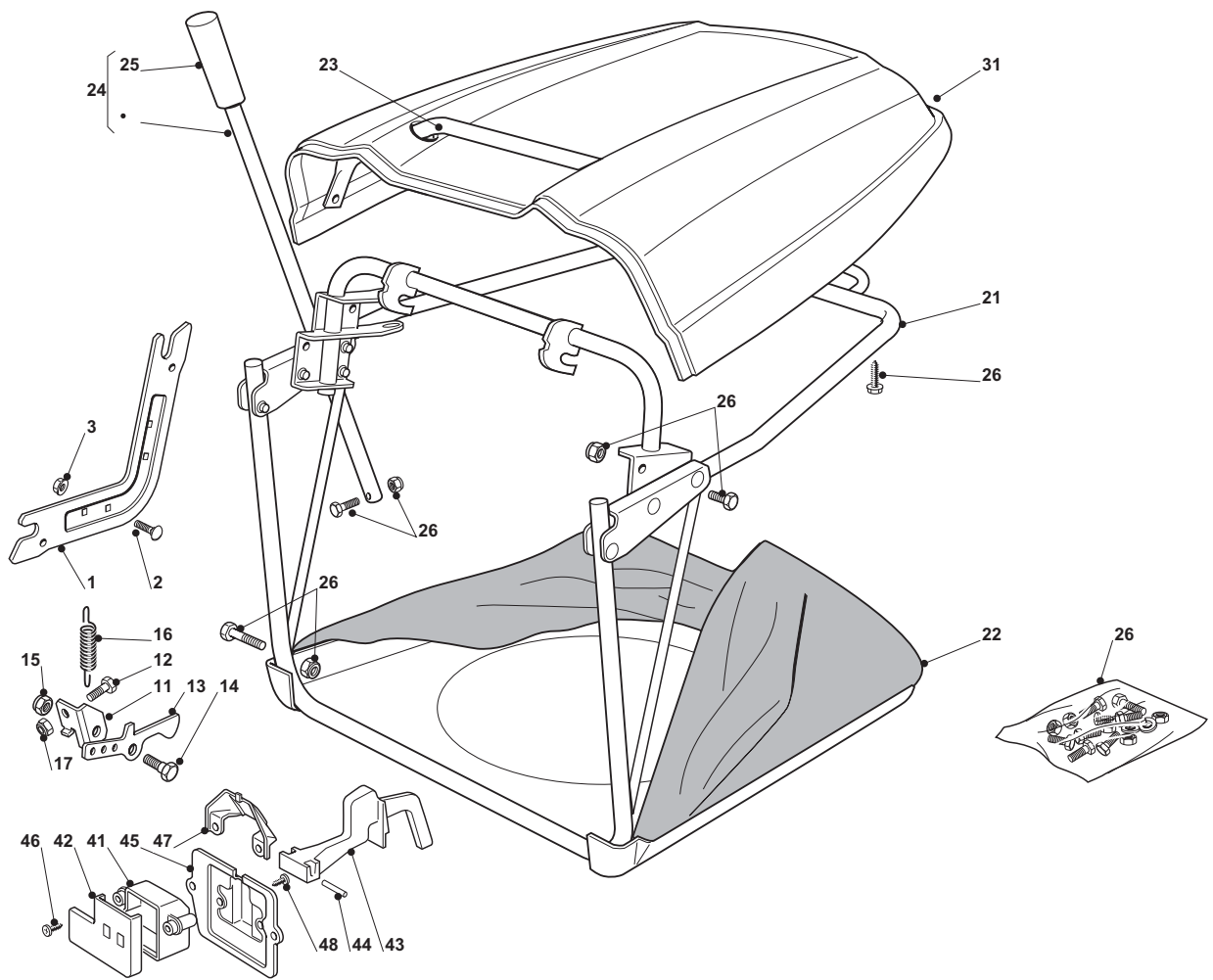
| Guards And Conveyor | | | | | | | |
|---------------------|-------------|------|--------------------|-----------------------|---------------------|--------------------------|-------|
| POS | CODE | Q.TY | DESCRIZIONE | DESCRIPTION | DESCRIPTION | BESCHREIBUNG | NOTES |
| 1 | 25060111/0 | 1 | Carter,Grigio | Case,Grey | Carter,Gris | Deckel,Grau | |
| 1 | 25060102/0 | 1 | Carter,Nero | Case,Black | Carter,Noire | Sicherheitshebel,Schwarz | |
| 2 | 25580007/0 | 1 | Prigioniero | Stud Screw | Prisonnier | Stiftscheibe | |
| 3 | 12155000/0 | 2 | Dado | Nut | Ecrou | Mutter | |
| 4 | 12293201/0 | 2 | Dado | Nut | Ecrou | Mutter | |
| 5 | 12735110/0 | 2 | Vite | Screw | Vis | Schraube | |
| 6 | 25060112/0 | 1 | Carter,Grigio | Case,Grey | Carter,Gris | Deckel,Grau | |
| 6 | 25060103/0 | 1 | Carter,Nero | Case,Black | Carter,Noire | Sicherheitshebel,Schwarz | |
| 7 | 12735110/0 | 2 | Vite | Screw | Vis | Schraube | |
| 8 | 82270301/0 | 1 | Guidacinghia | Belt Guide | Guide De Courroire | Riemenführung | |
| 9 | 12293201/0 | 2 | Dado | Nut | Ecrou | Mutter | |
| 10 | 12155000/0 | 2 | Dado | Nut | Ecrou | Mutter | |
| 11 | 25033060/0 | 2 | Attacco Tubo Acqua | Water Hose Connection | Raccord Tuyau D'Eau | Wasseranschluss | |
| 12 | 19035000/0 | 2 | Anello Or | O Ring | O Ring | O Ring | |
| 13 | 12500030/0 | 2 | Rivetto | Rivet | Rivet | Niet | |
| 31 | 382108008/0 | 1 | Convogliatore | Conveyor | Convoyeur | Blechsatz | |
| 33 | 25774373/0 | 2 | Staffa | Clamp | Bride | Bride | |



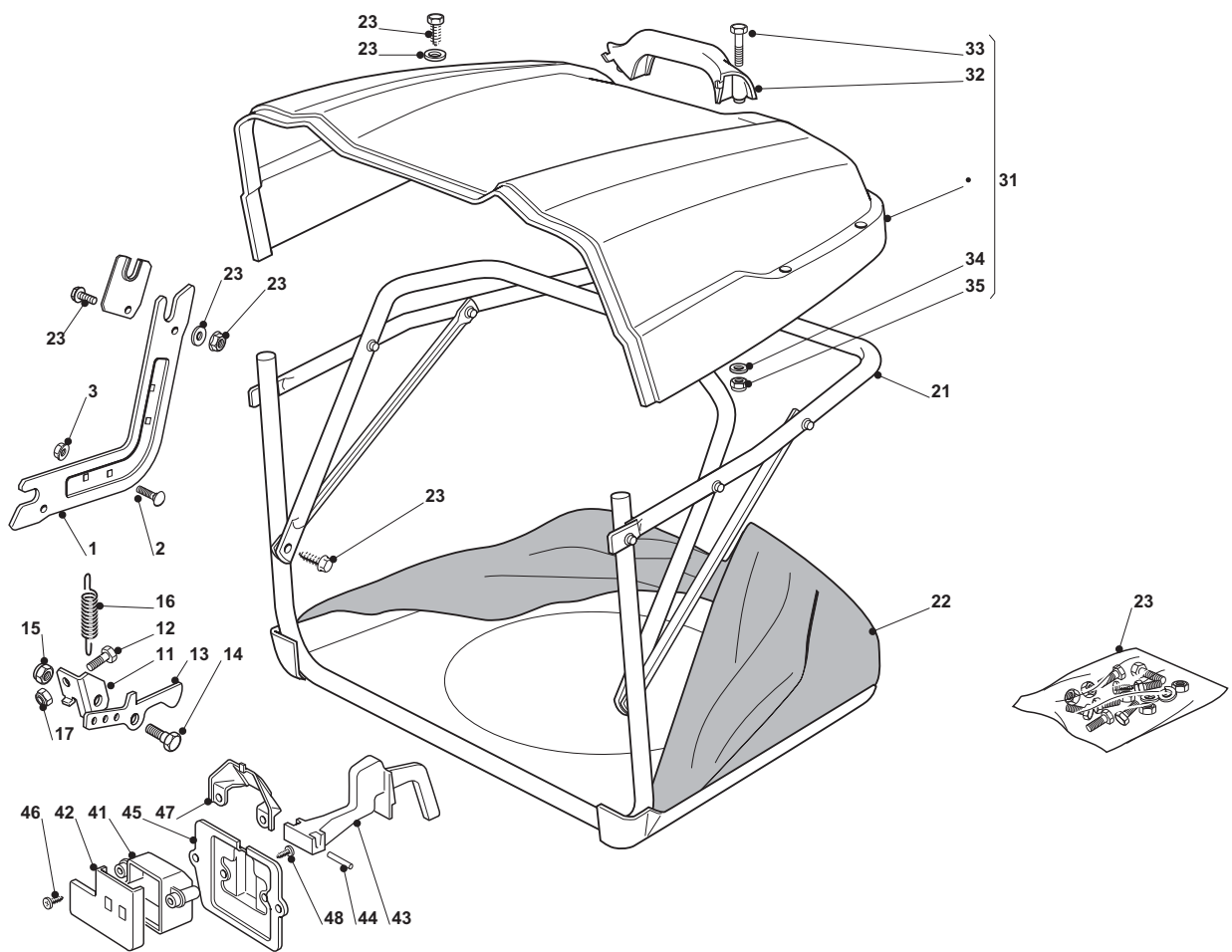
| Guards And Conveyor | | | | | | | |
|---------------------|-------------|------|--------------------|-----------------------|---------------------|------------------|-------|
| POS | CODE | Q.TY | DESCRIZIONE | DESCRIPTION | DESCRIPTION | BESCHREIBUNG | NOTES |
| 1 | 25060121/0 | 1 | Carter | Case | Carter | Blech | |
| 2 | 25060122/0 | 1 | Carter | Case | Carter | Blech | |
| 3 | 12735122/0 | 6 | Vite | Screw | Vis | Schraube | |
| 4 | 12728535/0 | 4 | Vite | Screw | Vis | Schraube | |
| 5 | 25774381/0 | 1 | Staffa | Bracket | Support | Schelle | |
| 6 | 25774383/0 | 1 | Staffa | Bracket | Support | Schelle | |
| 7 | 25033066/0 | 1 | Attacco Tubo Acqua | Water Hose Connection | Raccord Tuyau D'Eau | Wasseranschluss | |
| 8 | 19035000/0 | 1 | Anello Or | O Ring | O Ring | O Ring | |
| 9 | 25033065/0 | 2 | Attacco Tubo Acqua | Water Hose Connection | Raccord Tuyau D'Eau | Wasseranschluss | |
| 10 | 12500030/0 | 2 | Rivetto | Rivet | Rivet | Niet | |
| 11 | 25869069/0 | 1 | Tubo Collegamento | Connecting Tube | Tube De Connexion | Verbindungsrohr | |
| 12 | 25869068/0 | 1 | Tubo Collegamento | Connecting Tube | Tube De Connexion | Verbindungsrohr | |
| 13 | 325160039/0 | 6 | Distanziale | Spacer | Entretoise | Entfernungsstück | |
| 21 | 25060127/0 | 1 | Carter | Case | Carter | Blech | |
| 22 | 12791400/0 | 2 | Vite | Screw | Vis | Schraube | |
| 23 | 12154510/0 | 2 | Dado | Nut | Ecrou | Mutter | |
| 24 | 325160039/0 | 2 | Distanziale | Spacer | Entretoise | Entfernungsstück | |
| 32 | 382108008/0 | 1 | Convogliatore | Conveyor | Convoyeur | Blechsatz | |
| 33 | 25774373/0 | 2 | Staffa | Clamp | Bride | Bride | |



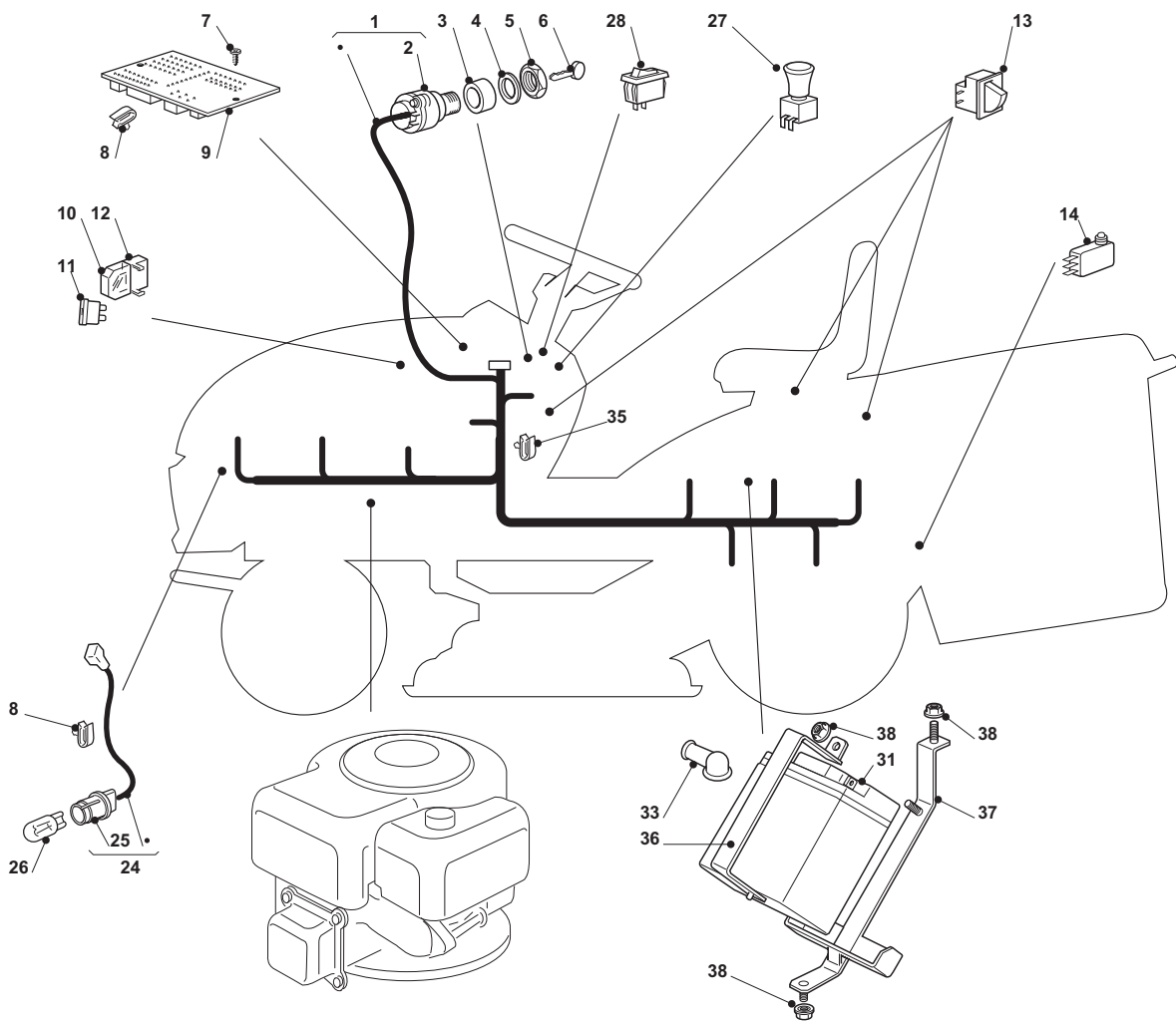
| Cutting Plate | | | | | | | |
|---------------|-------------|------|--------------------------------------|------------------------------|---------------------------------|---------------------------------|-------|
| POS | CODE | Q.TY | DESCRIZIONE | DESCRIPTION | DESCRIPTION | BESCHREIBUNG | NOTES |
| 1 | 82564075/0 | 1 | Piatto, Nero | Plate, Black | Plateau, Noir | Schneid, Schwarz | |
| 1 | 382564091/0 | 1 | Piatto, Rosso | Plate, Red | Plateau, Rouge | Schneid, Rot | |
| 1 | 382564112/0 | 1 | Piatto, Giallo | Plate, Yellow | Plateau, Jaune | Schneid, Gelb | |
| 2 | 82207202/0 | 1 | Ass. Flangia Sinistra (6÷10) | Left Flange Ass.Y (6÷10) | Ens. Bride Gauche (6÷10) | Linke Nabe, Komplet (6÷10) | |
| 3 | 25020802/0 | 1 | Albero | Shaft | Arbre | Welle | |
| 5 | 119216047/0 | 2 | Cuscinetto | Bearing | Roulement | Kuegellager | |
| 6 | 25160501/0 | 1 | Disco Parapolvere | Dust Cover | Protege-Poussiere | Staubschuttscheibe | |
| 7 | 12609260/0 | 1 | Seeger | Seeger | Seeger | Seeger | |
| 8 | 82207203/0 | 1 | Ass. Flangia Destra (12÷16) | Right Flange Ass.Y (12÷16) | Ens. Bride Droite (12÷16) | Rechte Nabe, Komplet (12÷16) | |
| 9 | 25020803/0 | 1 | Albero | Shaft | Arbre | Welle | |
| 11 | 119216047/0 | 2 | Cuscinetto | Bearing | Roulement | Kuegellager | |
| 12 | 25160501/0 | 1 | Disco Parapolvere | Dust Cover | Protege-Poussiere | Staubschuttscheibe | |
| 13 | 12609260/0 | 1 | Seeger | Seeger | Seeger | Seeger | |
| 14 | 12139480/0 | 2 | Chiavetta | Key | Clavette | Keil | |
| 15 | 12818700/0 | 6 | Vite | Screw | Vis | Schraube | |
| 16 | 12154210/0 | 6 | Dado | Nut | Ecrou | Mutter | |
| 17 | 25601563/0 | 2 | Puleggia | Pulley | Poulie | Riemenscheibe | |
| 18 | 25670007/0 | 2 | Rosetta | Washer | Rondelle | Scheibe | |
| 19 | 12583500/0 | 2 | Grower | Grower | Grower | Grower | |
| 20 | 12793102/0 | 2 | Vite | Screw | Vis | Schraube | |
| 21 | 25160007/0 | 1 | Distanziale | Spacer | Entretoise | Entfernungsstück | |
| 22 | 25670007/0 | 1 | Rosetta | Washer | Rondelle | Scheibe | |
| 23 | 25601555/0 | 1 | Puleggia | Pulley | Poulie | Riemenscheibe | |
| 24 | 12691115/0 | 1 | Vite | Screw | Vis | Schraube | |
| 25 | 12523060/0 | 1 | Rondella | Washer | Rondelle | Scheibe | |
| 26 | 12155000/0 | 1 | Dado | Nut | Ecrou | Mutter | |
| 27 | 35065701/0 | 1 | Cinghia | Belt | Courroire | Keilriemen | |
| 31 | 82318141/2 | 1 | Leva | Lever | Levier | Hebel | |
| 32 | 12691700/0 | 1 | Vite | Screw | Vis | Schraube | |
| 33 | 12523070/0 | 2 | Rondella | Washer | Rondelle | Scheibe | |
| 34 | 22672152/0 | 2 | Rondella | Washer | Rondelle | Scheibe | |
| 35 | 12155000/0 | 1 | Dado | Nut | Ecrou | Mutter | |
| 36 | 25601564/0 | 1 | Puleggia | Pulley | Poulie | Riemenscheibe | |
| 37 | 119216048/0 | 1 | Cuscinetto | Bearing | Roulement | Kuegellager | |
| 38 | 12610800/0 | 1 | Anello Elastico | Snap Ring | Anneau Ressort | Sprengring | |
| 39 | 12609200/0 | 1 | Seeger | Seeger | Seeger | Seeger | |
| 40 | 82004618/0 | 1 | Filo | Wire | Fil | Kabel | |
| 41 | 382774215/3 | 1 | Staffa | Clamp | Bride | Bride | |
| 42 | 12792611/0 | 1 | Vite | Screw | Vis | Schraube | |
| 43 | 12293201/0 | 1 | Dado | Nut | Ecrou | Mutter | |
| 51 | 12139100/0 | 2 | Linguetta | Feather | Clavette | Keil | |
| 52 | 25463200/0 | 2 | Mozzo Coltello | Blade Hub | Moyeu Lame | Messerhalter | |
| 53 | 82004352/0 | 1 | Coltello Destro Mulching | Right Blade Mulching | Lame Droite Mulching | Rechter Messer Mulching | |
| 53a | 82004354/0 | 1 | Coltello Destro Mulching, Alettato | Right Blade Mulching, Winged | Lame Droite Mulching, Aillettee | Rechter Messer Mulching, Flügel | |
| 53b | 82004345/1 | 1 | Coltello Destro, Alettato | Right Blade, Winged | Lame Droite, Aillettee | Rechter Messer, Flügel | |
| 54 | 81004346/3 | 1 | Coltello Sinistro Mulching | Left Blade Mulching | Lame Gauche Mulching | Linker Messer Mulching | |
| 54a | 82004353/0 | 1 | Coltello Sinistro Mulching, Alettato | Left Blade Mulching, Winged | Lame Gauche Mulching, Aillettee | Linker Messer Mulching, Flügel | |
| 54b | 82004344/1 | 1 | Coltello Sinistro, Alettato | Left Blade, Winged | Lame Gauche, Aillettee | Linker Messer, Flügel | |
| 57 | 22160400/0 | 2 | Disco Elastico | Elastic Washer | Rondelle Elastique | Federscheibe | |
| 58 | 12523080/0 | 2 | Rosetta | Washer | Rondelle | Scheibe | |
| 59 | 12735695/1 | 1 | Vite | Screw | Vis | Schraube | |
| 60 | 12735694/0 | 1 | Vite | Screw | Vis | Schraube | |
| 61 | 82000535/0 | 1 | Asta Bilanciere | Equalizer Rod | Tige Balancier | Kipphebel | |
| 62 | 82000533/0 | 1 | Asta Bilanciere | Equalizer Rod | Tige Balancier | Kipphebel | |
| 63 | 25670008/1 | 4 | Rondella | Washer | Rondelle | Scheibe | |
| 64 | 12156602/0 | 2 | Dado | Nut | Ecrou | Mutter | |
| 65 | 25670008/1 | 2 | Rondella | Washer | Rondelle | Scheibe | |
| 66 | 24487998/0 | 2 | Coppiglia | Cotter Pin | Goupille | Splint | |



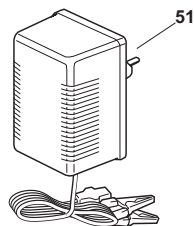
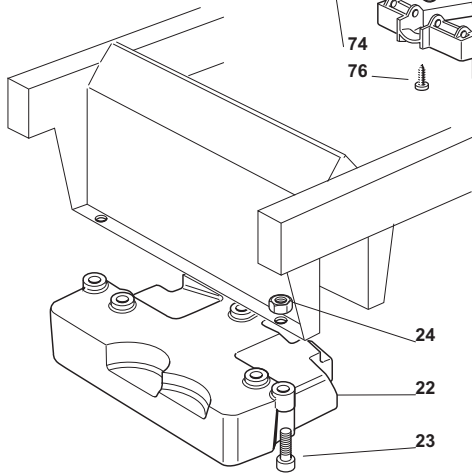
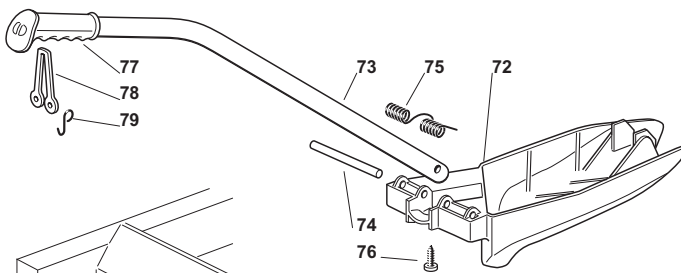
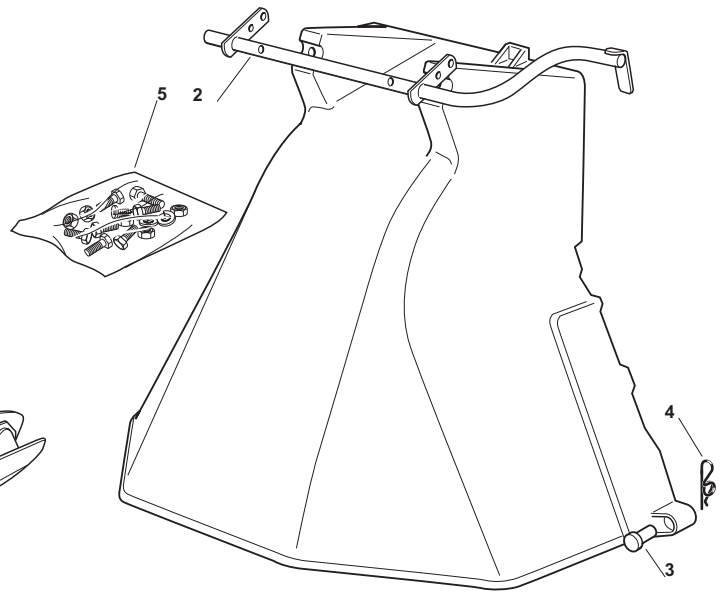
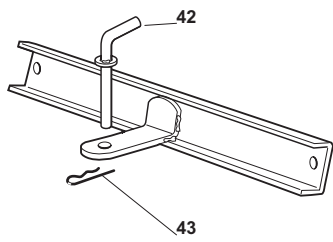
| Grasscatcher | | | | | | | |
|--------------|-------------|------|-------------------------|-----------------------------|----------------------|---------------------|-------|
| POS | CODE | Q.TY | DESCRIZIONE | DESCRIPTION | DESCRIPTION | BESCHREIBUNG | NOTES |
| 1 | 25785275/0 | 2 | Supporto | Support | Support | Halter | |
| 2 | 12818690/0 | 4 | Vite | Screw | Vis | Schraube | |
| 3 | 12293201/0 | 4 | Dado | Nut | Ecrou | Mutter | |
| 11 | 325755031/1 | 1 | Squadretta | Bracket | Equerre-Support | Winkel | |
| 12 | 12789000/0 | 1 | Vite | Screw | Vis | Schraube | |
| 12 | 12789000/0 | 1 | Vite | Screw | Vis | Schraube | |
| 13 | 325774315/1 | 1 | Staffa | Bracket | Etrier | Bride | |
| 14 | 125510080/1 | 1 | Perno | Pin | Pivot | Bolzen | |
| 15 | 12292102/0 | 1 | Dado | Nut | Ecrou | Mutter | |
| 16 | 22450432/0 | 1 | Molla | Spring | Ressort | Feder | |
| 17 | 12154330/0 | 1 | Dado | Nut | Ecrou | Mutter | |
| 21 | 82800111/0 | 1 | Telaio Bocca Sacco | Front Frame | Chassis Avant | Vorderrahmen | |
| 22 | 82105973/0 | 1 | Confezione Sacco | Grasscatcher | Bac | Sack | |
| 23 | 82394003/0 | 1 | Maniglia Anteriore | Front Handle | Poignee Anterieure | Vordergriff | |
| 24 | 82869023/0 | 1 | Tube | Rod | Tige | Stange | |
| 25 | 25394508/0 | 1 | Manopola | Handle | Poingee | Griff | |
| 26 | 82180048/0 | 1 | Dotazione Viteria | Screws Outfit | Ensemble Des Vis | Schraubenausrüstung | |
| 31 | 25110320/0 | 1 | Copertura Sacco, Rosso | Grass-Catcher Cover, Red | Couvre-Bac, Rouge | Sackkappe, Rot | |
| 31 | 25110342/0 | 1 | Copertura Sacco, Grigio | Grass-Catcher Cover, Grey | Couvre-Bac, Gris | Sackkappe, Grau | |
| 31 | 25110319/0 | 1 | Copertura Sacco, Giallo | Grass-Catcher Cover, Yellow | Couvre-Bac, Jaune | Sackkappe, Gelb | |
| 31 | 325110421/0 | 1 | Copertura Sacco, Bianco | Grass-Catcher Cover, White | Couvre-Bac, Blanc | Sackkappe, Weiß | |
| 31 | 325110413/0 | 1 | Copertura Sacco, Nero | Grass-Catcher Cover, Black | Couvre-Bac, Noire | Sackkappe, Schwarz | |
| 31 | 325110345/0 | 1 | Copertura Sacco, Verde | Grass-Catcher Cover, Green | Couvre-Bac, Vert | Sackkappe, Grün | |
| 41 | 25600041/0 | 1 | Protezione Micro | Micro Protection | Protection Micro | Schutz | |
| 42 | 25600042/0 | 1 | Coperchio Protezione | Protection Cover | Couvercle Protection | Schutzdeckel | |
| 43 | 25318124/0 | 1 | Leva | Lever | Levier | Hebel | |
| 44 | 12400030/0 | 1 | Perno | Pin | Pivot | Bolzen | |
| 45 | 25785272/0 | 1 | Protezione Micro | Micro Protection | Protection Micro | Schutz | |
| 46 | 12728510/0 | 1 | Vite | Screw | Vis | Schraube | |
| 47 | 25600048/0 | 1 | Chiusura Deflettore | Deflector Cover | Couvercle Deflecteur | Abweiserdekel | |
| 48 | 12735110/0 | 2 | Vite | Screw | Vis | Schraube | |



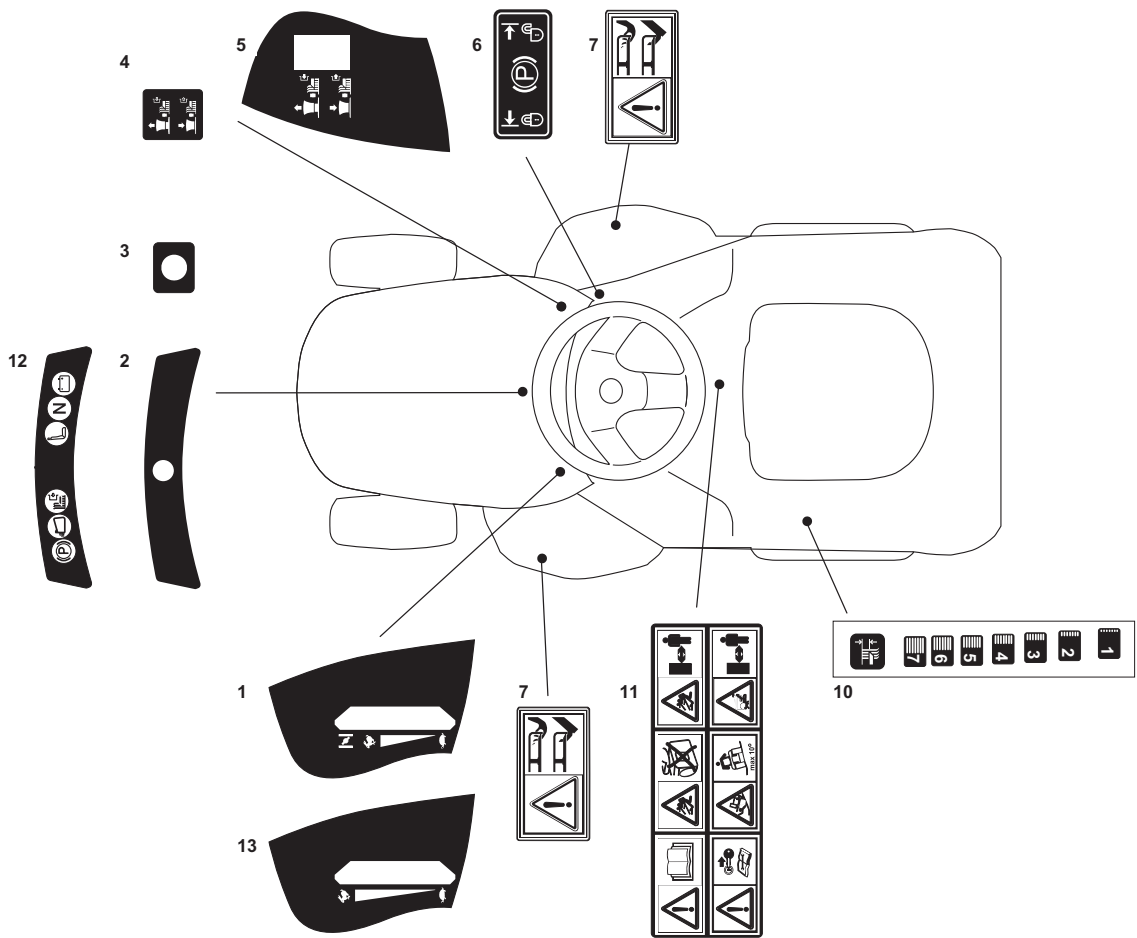
| Grasscatcher | | | | | | | |
|--------------|-------------|------|-----------------------|----------------------------|----------------------|---------------------|-------|
| POS | CODE | Q.TY | DESCRIZIONE | DESCRIPTION | DESCRIPTION | BESCHREIBUNG | NOTES |
| 1 | 325785275/0 | 2 | Supporto | Support | Support | Halter | |
| 2 | 12293201/0 | 4 | Dado | Nut | Ecrou | Mutter | |
| 3 | 12818690/0 | 4 | Vite | Screw | Vis | Schraube | |
| 11 | 325755031/1 | 1 | Squadretta | Bracket | Equerre-Support | Winkel | |
| 12 | 12789000/0 | 1 | Vite | Screw | Vis | Schraube | |
| 13 | 325774315/1 | 1 | Staffa | Bracket | Etrier | Bride | |
| 14 | 125510080/1 | 1 | Perno | Pin | Pivot | Bolzen | |
| 15 | 12292102/0 | 1 | Dado | Nut | Ecrou | Mutter | |
| 16 | 22450432/0 | 1 | Molla | Spring | Ressort | Feder | |
| 17 | 12154330/0 | 1 | Dado | Nut | Ecrou | Mutter | |
| 21 | 82800110/0 | 1 | Telaio Bocca Sacco | Front Frame | Chassis Avant | Vorderrahmen | |
| 22 | 82105974/0 | 1 | Confezione Sacco | Grasscatcher | Bac | Sack | |
| 23 | 382180120/0 | 1 | Dotazione Viteria | Screws Outfit | Ensemble Des Vis | Schraubenausrüstung | |
| 31 | 382110273/1 | 1 | Copertura Sacco, Nero | Grass-Catcher Cover, Black | Couvre-Bac, Noir | Sackkappe, Schwarz | |
| 32 | 27394000/0 | 1 | Maniglia | Handle | Poignee | Griff | |
| 33 | 12789020/0 | 2 | Vite | Screw | Vis | Schraube | |
| 34 | 12523020/0 | 2 | Rosetta | Washer | Rondelle | Scheibe | |
| 35 | 12154330/0 | 2 | Dado | Nut | Ecrou | Mutter | |
| 41 | 25600041/0 | 1 | Protezione Micro | Micro Protection | Protection Micro | Schutz | |
| 42 | 25600042/0 | 1 | Coperchio Protezione | Protection Cover | Couvercle Protection | Schutzdeckel | |
| 43 | 25318124/0 | 1 | Leva | Lever | Levier | Hebel | |
| 44 | 12400030/0 | 1 | Perno | Pin | Pivot | Bolzen | |
| 45 | 25785272/0 | 1 | Protezione Micro | Micro Protection | Protection Micro | Schutz | |
| 46 | 12728510/0 | 1 | Vite | Screw | Vis | Schraube | |
| 47 | 25600048/0 | 1 | Chiusura Deflettore | Deflector Cover | Couvercle Deflecteur | Abweiserdeckel | |
| 48 | 12735110/0 | 2 | Vite | Screw | Vis | Schraube | |



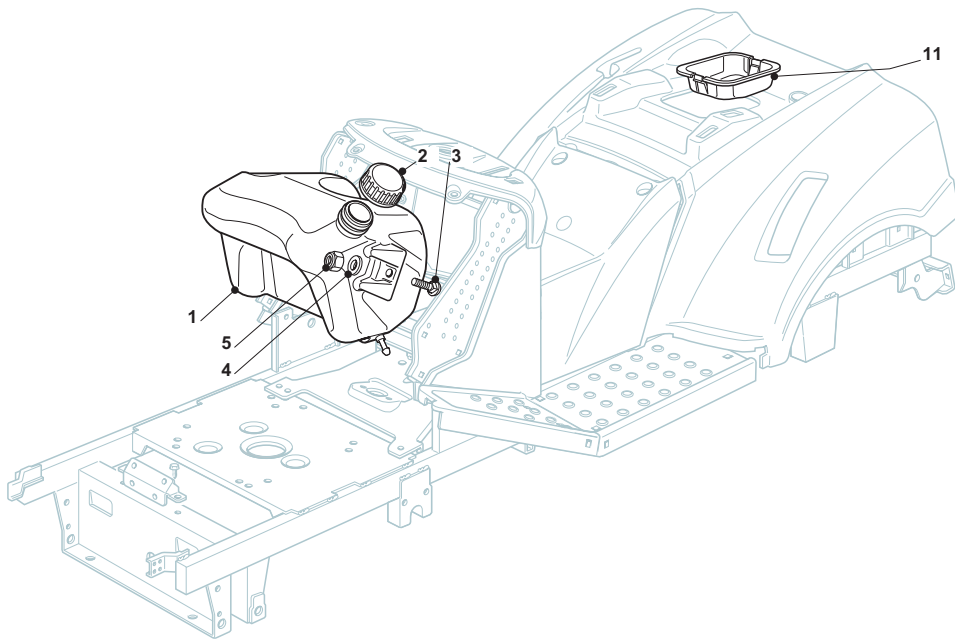
| Electrical Parts | | | | | | | |
|------------------|-------------|------|----------------------------|--------------------------|----------------------------|-----------------------------|--------------------------------------|
| POS | CODE | Q.TY | DESCRIZIONE | DESCRIPTION | DESCRIPTION | BESCHREIBUNG | NOTES |
| 1 | 182040153/0 | 1 | Cablaggio (B&S - GGP) | Cables Ass.Y (B&S - GGP) | Ens. Cablages (B&S - GGP) | Kabelsatz (B&S - GGP) | |
| 1 | 182040154/0 | 1 | Cablaggio (Honda) | Cables Ass.Y (Honda) | Ens. Cablages (Honda) | Kabelsatz (Honda) | |
| 2 | 18450072/0 | 1 | Interruttore Avviam. | Starting Switch | Interrupteur Demarr. | Schalter | |
| 3 | 18550136/0 | 1 | Distanziale | Spacer | Entretoise | Distanring | |
| 4 | 18550135/0 | 1 | Rondella | Washer | Rondelle | Scheibe | |
| 5 | 18400862/0 | 1 | Ghiera | Ringnut | Embout | Nutmutter | |
| 6 | 18210022/0 | 1 | Chiave Avviamento | Starting Key | Clef A Demarrage | Schlüssel Für Start | |
| 7 | 12727810/0 | 3 | Vite | Screw | Vis | Schraube | |
| 8 | 33320506/0 | 2 | Fermacavo | Fairlead | Fixation Cable | Kabelbefestigung | |
| 9 | 125722430/1 | 1 | Scheda Elettronica (1 Led) | Electronic Card (1 Led) | Carte Electronique (1 Led) | Elektronische Karte (1 Led) | |
| 9 | 125722431/0 | 1 | Scheda Elettronica (6 Led) | Electronic Card (6 Led) | Carte Electronique (6 Led) | Elektronische Karte (6 Led) | |
| 10 | 33215000/0 | 2 | Coperchio | Cover | Couvercle | Deckel | |
| 11 | 33340040/0 | 1 | Fusibile 10A | Fuse 10A | Fusible 10A | Sicherung 10A | |
| 11 | 33340036/0 | 1 | Fusibile 25 A | Fuse 25 A | Fusible 25 A | Sicherung 25 A | |
| 12 | 33500007/0 | 2 | Portafusibile | Fuse Carrier | Tableau De Fusible | Sicherunghalter | |
| 13 | 119410615/0 | 3 | Micro Interruttore | Microswitch | Microinterrupteur | Mikroschalter | |
| 14 | 19410605/1 | 1 | Micro Sacco Pieno | Full Grasscatc. Micro | Micro Bac Plein | Vollkorb Vorrichtung | |
| 24 | 82040073/0 | 1 | Cavo Fari | Cable | Cables | Kabel | use only on model NJX;NJS;NJU;NJA |
| 25 | 33500030/0 | 2 | Portalampane | Lamp Holder | Douille De Lampe | Scheinwerferlampe | |
| 26 | 18459100/0 | 2 | Lampada | Farilamp For Lights | Lampe Pour Phares | Lampenfassun | |
| 27 | 18450068/0 | 1 | Interruttore Frizione | Clutch Switch | Interrupteur Embrajage | Kupplung Schalter | |
| 28 | 18450060/1 | 1 | Interruttore Fari | Farilamp Switch | Interrupteur Phares | Lichten Schalter | |
| 31 | 18120002/1 | 1 | Batteria | Battery | Batterie | Batterie | |
| 33 | 18564861/1 | 1 | Cappuccio | Protection | Capuchon | Stecker | |
| 35 | 33320506/0 | 9 | Fermacavo | Fairlead | Fixation Cable | Kabelbefestigung | |
| 36 | 27772099/1 | 1 | Staffa | Clamp | Etrier | Bride | |
| 37 | 382785191/0 | 1 | Supporto Batteria | Battery Support | Support Batterie | Batterie Halter | |
| 38 | 12155000/0 | 3 | Dado | Nut | Ecrou | Mutter | |



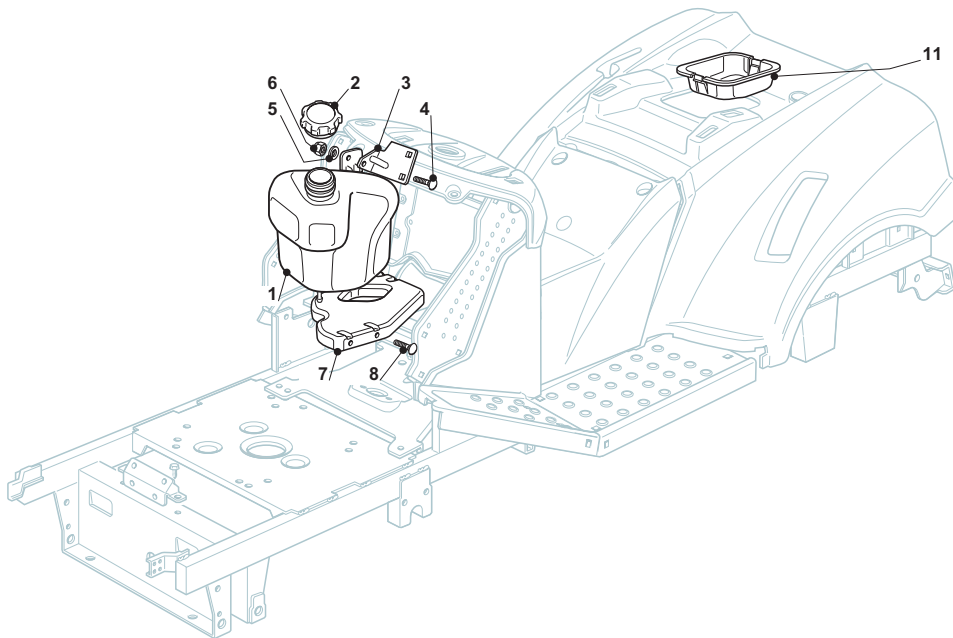
| Optionals On Request | | | | | | | |
|----------------------|-------------|------|------------------------|------------------------|------------------------------|--------------------------|---------|
| POS | CODE | Q.TY | DESCRIZIONE | DESCRIPTION | DESCRIPTION | BESCHREIBUNG | NOTES |
| 3 | 25510022/0 | 2 | Perno | Pin | Pivot | Bolzen | |
| 4 | 24487998/0 | 2 | Coppiglia | Cotter Pin | Goupille | Splint | |
| 5 | 82180062/0 | 1 | Dotazione Viteria | Screws Outfit | Ensemble Des Vis | Schraubenausrüstung | |
| 22 | 25519997/1 | 1 | Peso | Weight | Poids | Gewicht | |
| 23 | 12760520/0 | 3 | Vite | Screw | Vis | Schraube | |
| 24 | 12155000/0 | 3 | Dado | Nut | Ecrou | Mutter | |
| 42 | 25510021/1 | 1 | Perno | Pin | Pivot | Bolzen | |
| 43 | 24487999/0 | 1 | Coppiglia | Cotter Pin | Goupille | Splint | |
| 51 | 182180090/0 | 1 | Carica Batterie | Battery Charger | Chargeur De Batteries | Batterieladegerät | EU plug |
| 51 | 182180091/0 | 1 | Carica Batterie (U.K.) | Battery Charger (U.K.) | Chargeur De Batteries (U.K.) | Batterieladegerät (U.K.) | UK plug |
| 72 | 25140093/0 | 1 | Deflettore | Deflector | Deflecteur | Abweiser | |
| 73 | 25394007/0 | 1 | Manico | Handle | Guidon | Stiel | |
| 74 | 25510077/0 | 1 | Perno | Pin | Pivot | Bolzen | |
| 75 | 25430245/0 | 1 | Molla | Spring | Ressort | Feder | |
| 76 | 12735410/0 | 1 | Vite | Screw | Vis | Schraube | |
| 77 | 25280000/1 | 1 | Impugnatura | Handgrip | Branche | Griff | |
| 78 | 25840011/1 | 1 | Tirante In Gomma | Elastic Tie-Rod | Tirant Elastique | Elastische Zugstäbe | |
| 79 | 25253004/0 | 2 | Gancio | Hook | Crochet | Haken | |



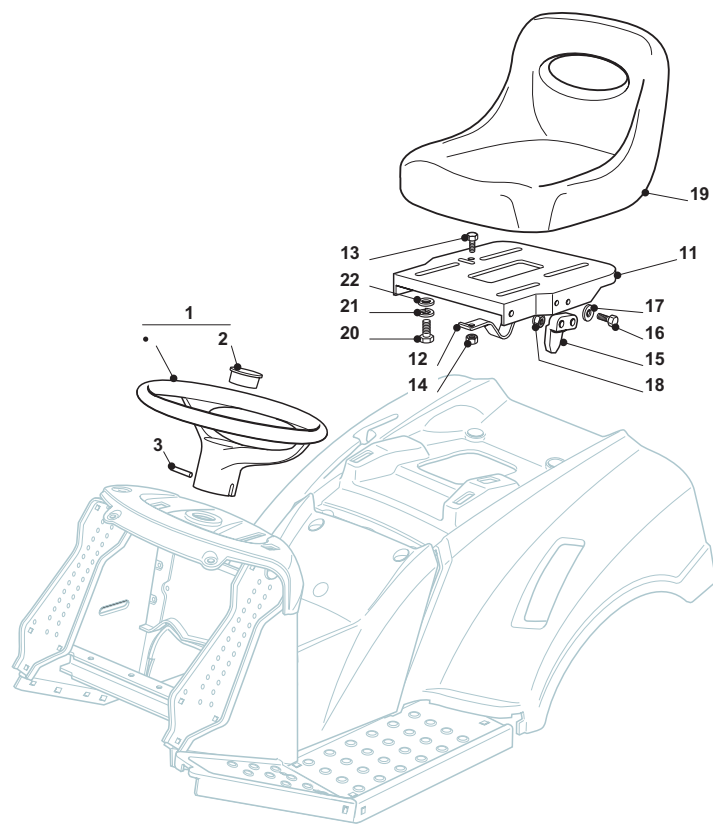
| Labels | | | | | | | |
|--------|-------------|------|-------------|-------------|-------------|--------------|---|
| POS | CODE | Q.TY | DESCRIZIONE | DESCRIPTION | DESCRIPTION | BESCHREIBUNG | NOTES |
| 1 | 14361440/0 | 1 | Etichetta | Label | Etiquette | Klebzettel | use only on model NJTP;NXX;NJS;NJU;NJA |
| 2 | 25420019/0 | 1 | Etichetta | Label | Etiquette | Klebzettel | for 1 led dashboard version |
| 3 | 25420018/0 | 1 | Etichetta | Label | Etiquette | Klebzettel | use only on model NJ;NJR;NJB |
| 4 | 14361438/0 | 1 | Etichetta | Label | Etiquette | Klebzettel | use only on model NJ;NJR;NJB |
| 5 | 14361439/0 | 1 | Etichetta | Label | Etiquette | Klebzettel | use only on model NJTP;NXX;NJS;NJU;NJA |
| 6 | 14361452/0 | 1 | Etichetta | Label | Etiquette | Klebzettel | |
| 7 | 114356699/1 | 2 | Etichetta | Label | Etiquette | Klebzettel | |
| 10 | 14361441/0 | 1 | Etichetta | Label | Etiquette | Klebzettel | |
| 11 | 14361553/0 | 1 | Etichetta | Label | Etiquette | Klebzettel | |
| 12 | 125420020/0 | 1 | Etichetta | Label | Etiquette | Klebzettel | for 6 led dashboard version |
| 13 | 114364616/0 | 1 | Etichetta | Label | Etiquette | Klebzettel | use only for model with Honda GXV 390 engine |



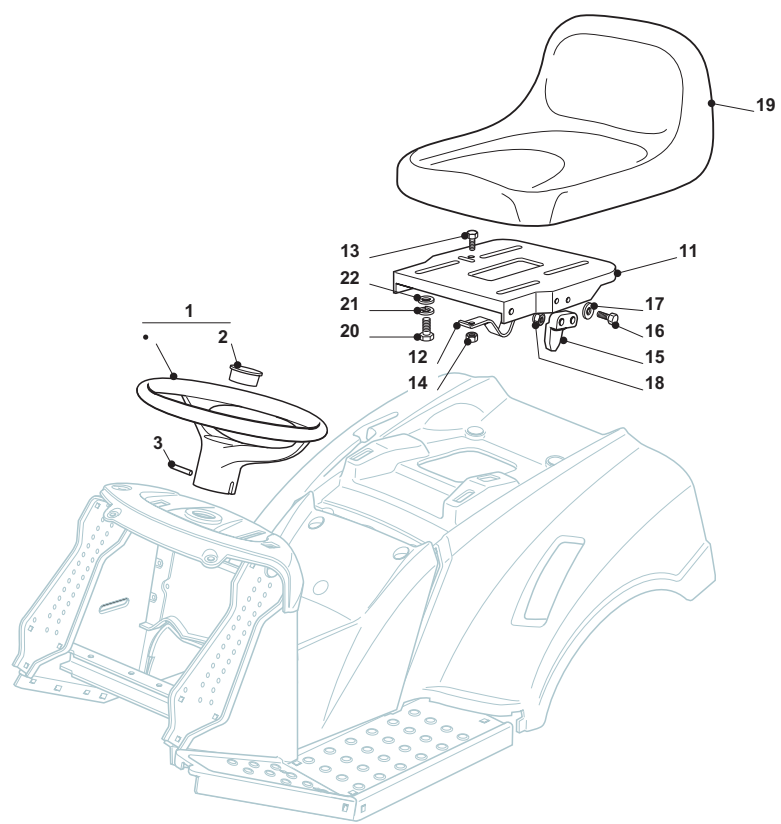
| Tank | | | | | | | |
|------|-------------|------|-------------|-------------|-------------|------------------|-------|
| POS | CODE | Q.TY | DESCRIZIONE | DESCRIPTION | DESCRIPTION | BESCHREIBUNG | NOTES |
| 1 | 325735128/0 | 1 | Serbatoio | Tank | Reservoir | Tank | |
| 2 | 25795000/1 | 1 | Tappo | Cap | Bouchon | Tankverschluss | |
| 3 | 12815210/0 | 2 | Vite | Screw | Vis | Schraube | |
| 4 | 325160039/0 | 2 | Distanziale | Spacer | Entretoise | Entfernungsstück | |
| 5 | 12154510/0 | 2 | Dado | Nut | Ecrou | Mutter | |
| 11 | 325207176/0 | 1 | Vaschetta | Basin | Cuvette | Wanne | |



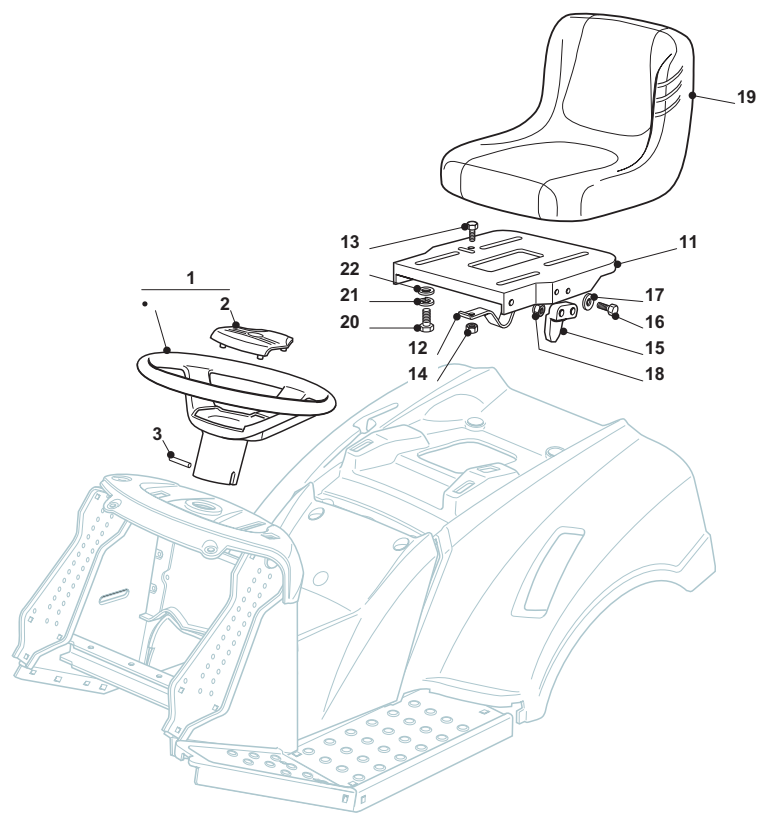
| Tank | | | | | | | |
|------|-------------|------|-----------------|-------------|-------------|----------------|-------|
| POS | CODE | Q.TY | DESCRIZIONE | DESCRIPTION | DESCRIPTION | BESCHREIBUNG | NOTES |
| 1 | 325735124/0 | 1 | Serbatoio | Tank | Reservoir | Tank | |
| 2 | 25795001/1 | 1 | Tappo Serbatoio | Cap | Bouchon | Tankverschluss | |
| 3 | 325785291/0 | 1 | Supporto | Support | Support | Halter | |
| 4 | 12789195/0 | 1 | Vite | Screw | Vis | Schraube | |
| 5 | 12581500/0 | 1 | Grower | Grower | Grower | Grower | |
| 6 | 12437503/0 | 1 | Piastrina | Plate | Plaque | Platte | |
| 7 | 325785289/0 | 1 | Supporto | Support | Support | Halter | |
| 8 | 12735403/0 | 4 | Vite | Screw | Vis | Schraube | |
| 11 | 325207176/0 | 1 | Vaschetta | Basin | Cuvette | Wanne | |



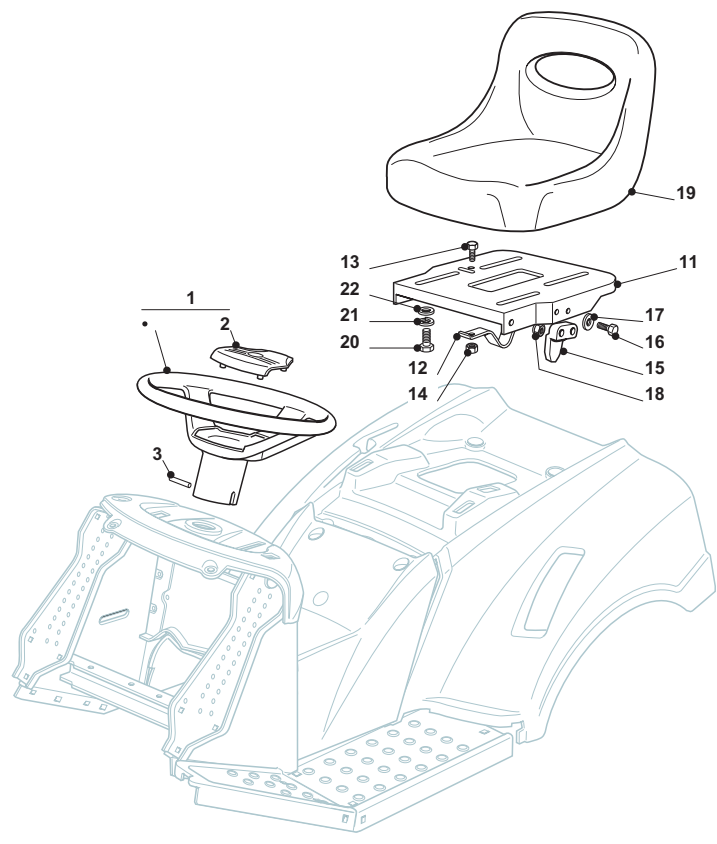
| Seat & Steering Wheel | | | | | | | |
|-----------------------|------------|------|-------------|----------------|-------------|--------------|-------|
| POS | CODE | Q.TY | DESCRIZIONE | DESCRIPTION | DESCRIPTION | BESCHREIBUNG | NOTES |
| 1 | 25961201/0 | 1 | Volante | Steering Wheel | Volant | Lenkrad | |
| 2 | 25120230/0 | 1 | Tappo | Cap | Bouchon | Stopfen | |
| 3 | 12620299/0 | 1 | Spina | Pin | Goupille | Stift | |
| 11 | 25547033/1 | 1 | Piastra | Plate | Plaque | Platte | |
| 12 | 25430223/2 | 1 | Molla | Spring | Ressort | Feder | |
| 13 | 12789000/0 | 1 | Vite | Screw | Vis | Schraube | |
| 14 | 12154330/0 | 1 | Dado | Nut | Ecrou | Mutter | |
| 15 | 27063021/1 | 1 | Camma | Cam | Came | Nocken | |
| 16 | 12789100/0 | 2 | Vite | Screw | Vis | Schraube | |
| 17 | 12523020/0 | 2 | Rosetta | Washer | Rondelle | Scheibe | |
| 18 | 12154330/0 | 2 | Dado | Nut | Ecrou | Mutter | |
| 19 | 25722453/1 | 1 | Sedile | Seat | Siege | Sitz | |
| 20 | 12793101/0 | 4 | Vite | Screw | Vis | Schraube | |
| 21 | 12583500/0 | 4 | Grower | Grower | Grower | Grower | |
| 22 | 12523060/0 | 4 | Rondella | Washer | Rondelle | Scheibe | |



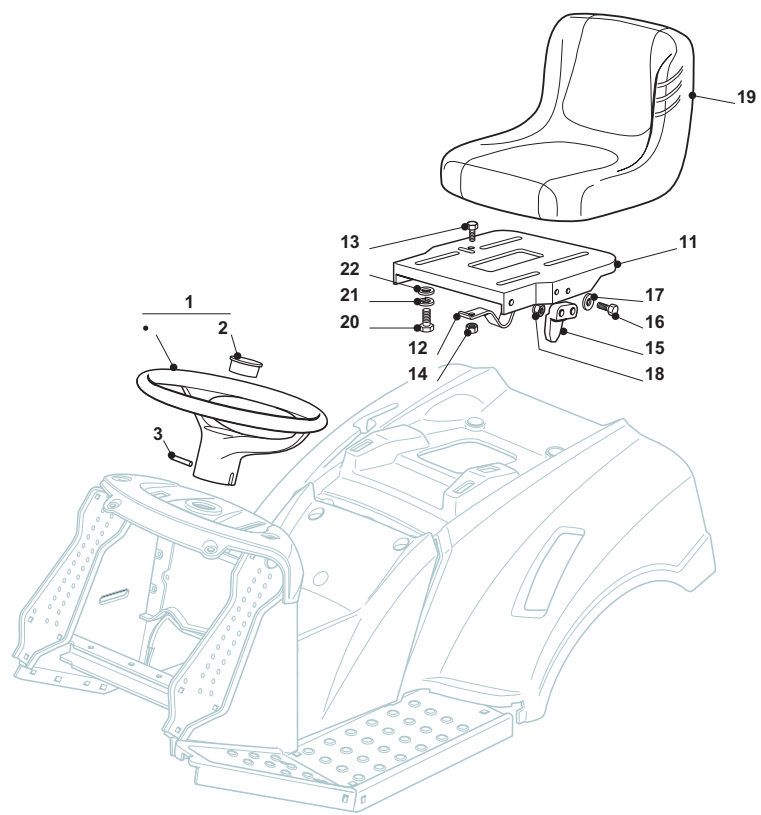
| Seat & Steering Wheel | | | | | | | |
|-----------------------|-------------|------|-------------|----------------|-------------|--------------|-------|
| POS | CODE | Q.TY | DESCRIZIONE | DESCRIPTION | DESCRIPTION | BESCHREIBUNG | NOTES |
| 1 | 25961201/0 | 1 | Volante | Steering Wheel | Volant | Lenkrad | |
| 2 | 25120230/0 | 1 | Tappo | Cap | Bouchon | Stopfen | |
| 3 | 12620299/0 | 1 | Spina | Pin | Goupille | Stift | |
| 11 | 25547033/1 | 1 | Piastra | Plate | Plaque | Platte | |
| 12 | 25430223/2 | 1 | Molla | Spring | Ressort | Feder | |
| 13 | 12789000/0 | 1 | Vite | Screw | Vis | Schraube | |
| 14 | 12154330/0 | 1 | Dado | Nut | Ecrou | Mutter | |
| 15 | 27063021/1 | 1 | Camma | Cam | Came | Nocken | |
| 16 | 12789100/0 | 2 | Vite | Screw | Vis | Schraube | |
| 17 | 12523020/0 | 2 | Rosetta | Washer | Rondelle | Scheibe | |
| 18 | 12154330/0 | 2 | Dado | Nut | Ecrou | Mutter | |
| 19 | 125722470/0 | 1 | Sedile | Seat | Siege | Sitz | |
| 20 | 12793101/0 | 4 | Vite | Screw | Vis | Schraube | |
| 21 | 12583500/0 | 4 | Grower | Grower | Grower | Grower | |
| 22 | 12523060/0 | 4 | Rondella | Washer | Rondelle | Scheibe | |



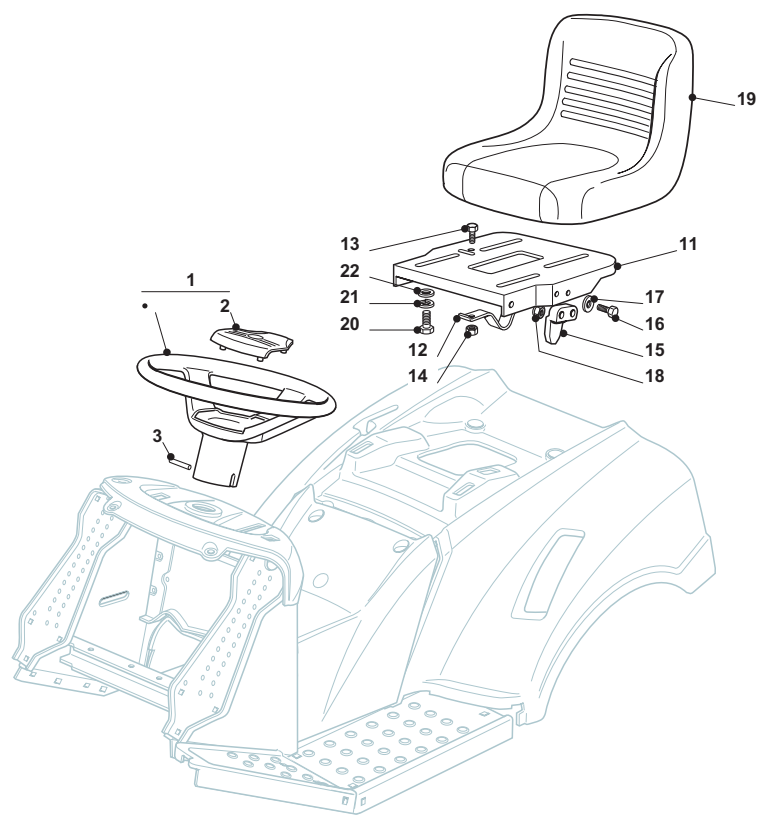
| Seat & Steering Wheel | | | | | | | |
|-----------------------|-------------|------|----------------|----------------------|---------------|-----------------|-------|
| POS | CODE | Q.TY | DESCRIZIONE | DESCRIPTION | DESCRIPTION | BESCHREIBUNG | NOTES |
| 1 | 25961212/0 | 1 | Volante,Grigio | Steering Wheel,Grey | Volant,Gris | Lenkrad,Grau | |
| 1 | 25961216/0 | 1 | Volante,Nero | Steering Wheel,Black | Volant,Noire | Lenkrad,Schwarz | |
| 2 | 325580500/0 | 1 | Tappo,Grigio | Cap,Grey | Bouchon,Gris | Stopfen,Grau | |
| 2 | 25580501/0 | 1 | Tappo,Nero | Cap,Black | Bouchon,Noire | Stopfen,Schwarz | |
| 2 | 325580500/0 | 1 | Tappo,Grigio | Cap | Bouchon,Gris | Stopfen,Grau | |
| 3 | 12620299/0 | 1 | Spina | Pin | Goupille | Stift | |
| 11 | 25547033/1 | 1 | Piastra | Plate | Plaque | Platte | |
| 12 | 25430223/2 | 1 | Molla | Spring | Ressort | Feder | |
| 13 | 12789000/0 | 1 | Vite | Screw | Vis | Schraube | |
| 14 | 12154330/0 | 1 | Dado | Nut | Ecrou | Mutter | |
| 15 | 27063021/1 | 1 | Camma | Cam | Came | Nocken | |
| 16 | 12789100/0 | 2 | Vite | Screw | Vis | Schraube | |
| 17 | 12523020/0 | 2 | Rosetta | Washer | Rondelle | Scheibe | |
| 18 | 12154330/0 | 2 | Dado | Nut | Ecrou | Mutter | |
| 19 | 25722463/0 | 1 | Sedile | Seat | Siege | Sitz | |
| 20 | 12793101/0 | 4 | Vite | Screw | Vis | Schraube | |
| 21 | 12583500/0 | 4 | Grower | Grower | Grower | Grower | |
| 22 | 12523060/0 | 4 | Rondella | Washer | Rondelle | Scheibe | |



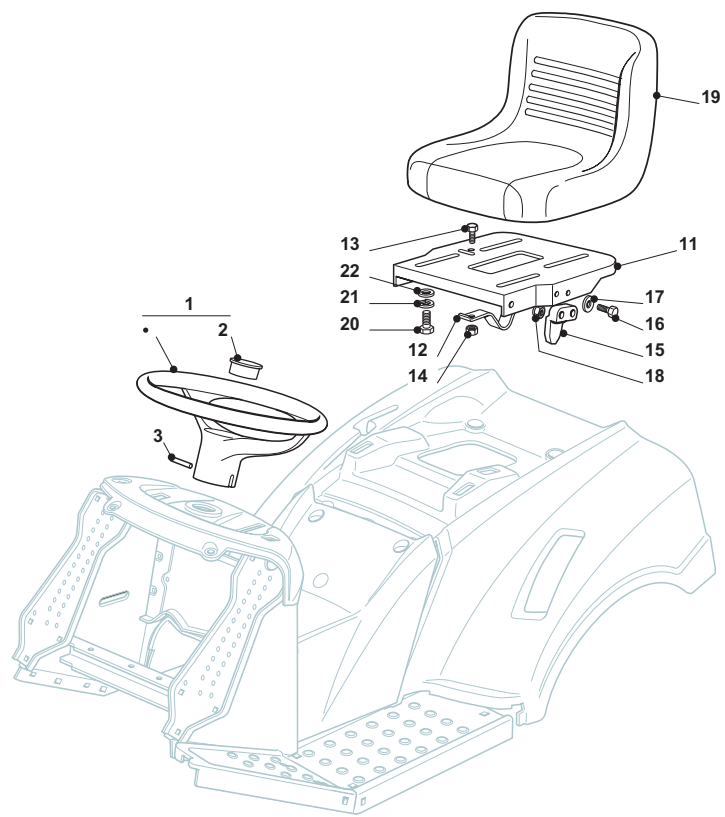
| Seat & Steering Wheel | | | | | | | |
|-----------------------|-------------|------|----------------|----------------|--------------|--------------|-------|
| POS | CODE | Q.TY | DESCRIZIONE | DESCRIPTION | DESCRIPTION | BESCHREIBUNG | NOTES |
| 1 | 25961212/0 | 1 | Volante,Grigio | Steering Wheel | Volant,Gris | Lenkrad,Grau | |
| 2 | 325580500/0 | 1 | Tappo,Grigio | Cap | Bouchon,Gris | Stopfen,Grau | |
| 3 | 12620299/0 | 1 | Spina | Pin | Goupille | Stift | |
| 11 | 25547033/1 | 1 | Piastra | Plate | Plaque | Platte | |
| 12 | 25430223/2 | 1 | Molla | Spring | Ressort | Feder | |
| 13 | 12789000/0 | 1 | Vite | Screw | Vis | Schraube | |
| 14 | 12154330/0 | 1 | Dado | Nut | Ecrou | Mutter | |
| 15 | 27063021/1 | 1 | Camma | Cam | Came | Nocken | |
| 16 | 12789100/0 | 2 | Vite | Screw | Vis | Schraube | |
| 17 | 12523020/0 | 2 | Rosetta | Washer | Rondelle | Scheibe | |
| 18 | 12154330/0 | 2 | Dado | Nut | Ecrou | Mutter | |
| 19 | 25722453/1 | 1 | Sedile | Seat | Siege | Sitz | |
| 20 | 12793101/0 | 4 | Vite | Screw | Vis | Schraube | |
| 21 | 12583500/0 | 4 | Grower | Grower | Grower | Grower | |
| 22 | 12523060/0 | 4 | Rondella | Washer | Rondelle | Scheibe | |



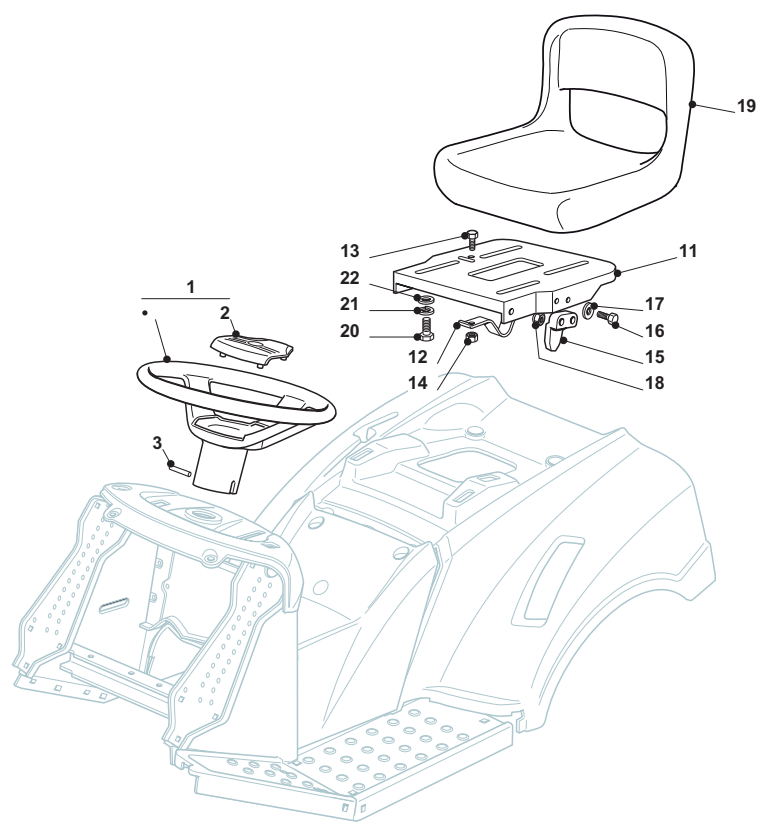
| Seat & Steering Wheel | | | | | | | |
|-----------------------|------------|------|-------------|----------------|-------------|--------------|-------|
| POS | CODE | Q.TY | DESCRIZIONE | DESCRIPTION | DESCRIPTION | BESCHREIBUNG | NOTES |
| 1 | 25961201/0 | 1 | Volante | Steering Wheel | Volant | Lenkrad | |
| 2 | 25120230/0 | 1 | Tappo | Cap | Bouchon | Stopfen | |
| 3 | 12620299/0 | 1 | Spina | Pin | Goupille | Stift | |
| 11 | 25547033/1 | 1 | Piastra | Plate | Plaque | Platte | |
| 12 | 25430223/2 | 1 | Molla | Spring | Ressort | Feder | |
| 13 | 12789000/0 | 1 | Vite | Screw | Vis | Schraube | |
| 14 | 12154330/0 | 1 | Dado | Nut | Ecrou | Mutter | |
| 15 | 27063021/1 | 1 | Camma | Cam | Came | Nocken | |
| 16 | 12789100/0 | 2 | Vite | Screw | Vis | Schraube | |
| 17 | 12523020/0 | 2 | Rosetta | Washer | Rondelle | Scheibe | |
| 18 | 12154330/0 | 2 | Dado | Nut | Ecrou | Mutter | |
| 19 | 25722463/0 | 1 | Sedile | Seat | Siege | Sitz | |
| 20 | 12793101/0 | 4 | Vite | Screw | Vis | Schraube | |
| 21 | 12583500/0 | 4 | Grower | Grower | Grower | Grower | |
| 22 | 12523060/0 | 4 | Rondella | Washer | Rondelle | Scheibe | |



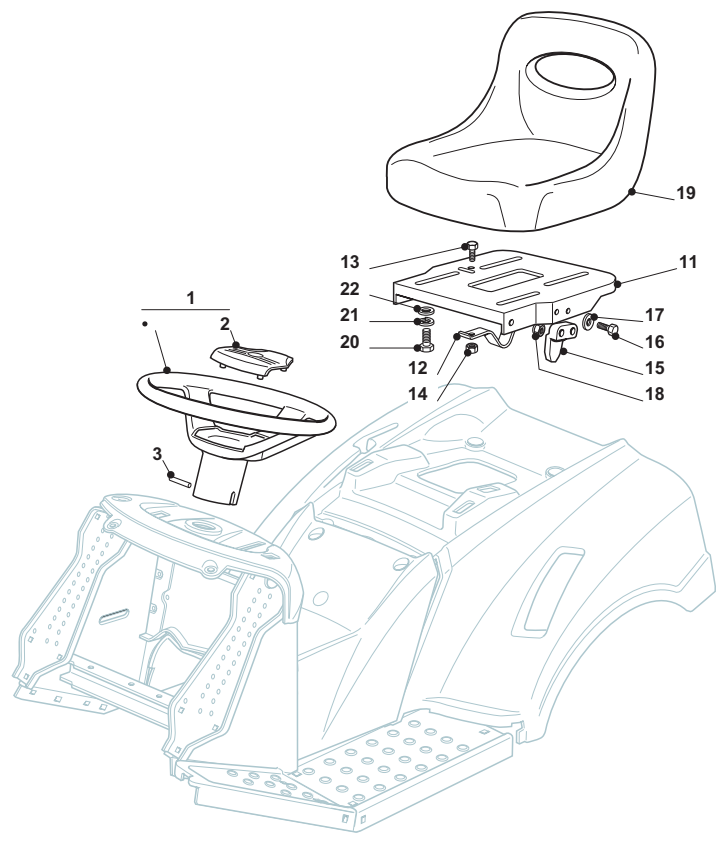
| Seat & Steering Wheel | | | | | | | |
|-----------------------|-------------|------|--------------|----------------|---------------|-----------------|-------|
| POS | CODE | Q.TY | DESCRIZIONE | DESCRIPTION | DESCRIPTION | BESCHREIBUNG | NOTES |
| 1 | 25961216/0 | 1 | Volante,Nero | Steering Wheel | Volant,Noire | Lenkrad,Schwarz | |
| 2 | 25580501/0 | 1 | Tappo,Nero | Cap | Bouchon,Noire | Stopfen,Schwarz | |
| 3 | 12620299/0 | 1 | Spina | Pin | Goupille | Stift | |
| 11 | 25547033/1 | 1 | Piastra | Plate | Plaque | Platte | |
| 12 | 25430223/2 | 1 | Molla | Spring | Ressort | Feder | |
| 13 | 12789000/0 | 1 | Vite | Screw | Vis | Schraube | |
| 14 | 12154330/0 | 1 | Dado | Nut | Ecrou | Mutter | |
| 15 | 27063021/1 | 1 | Camma | Cam | Came | Nocken | |
| 16 | 12789100/0 | 2 | Vite | Screw | Vis | Schraube | |
| 17 | 12523020/0 | 2 | Rosetta | Washer | Rondelle | Scheibe | |
| 18 | 12154330/0 | 2 | Dado | Nut | Ecrou | Mutter | |
| 19 | 125722471/0 | 1 | Sedile | Seat | Siege | Sitz | |
| 20 | 12793101/0 | 4 | Vite | Screw | Vis | Schraube | |
| 21 | 12583500/0 | 4 | Grower | Grower | Grower | Grower | |
| 22 | 12523060/0 | 4 | Rondella | Washer | Rondelle | Scheibe | |



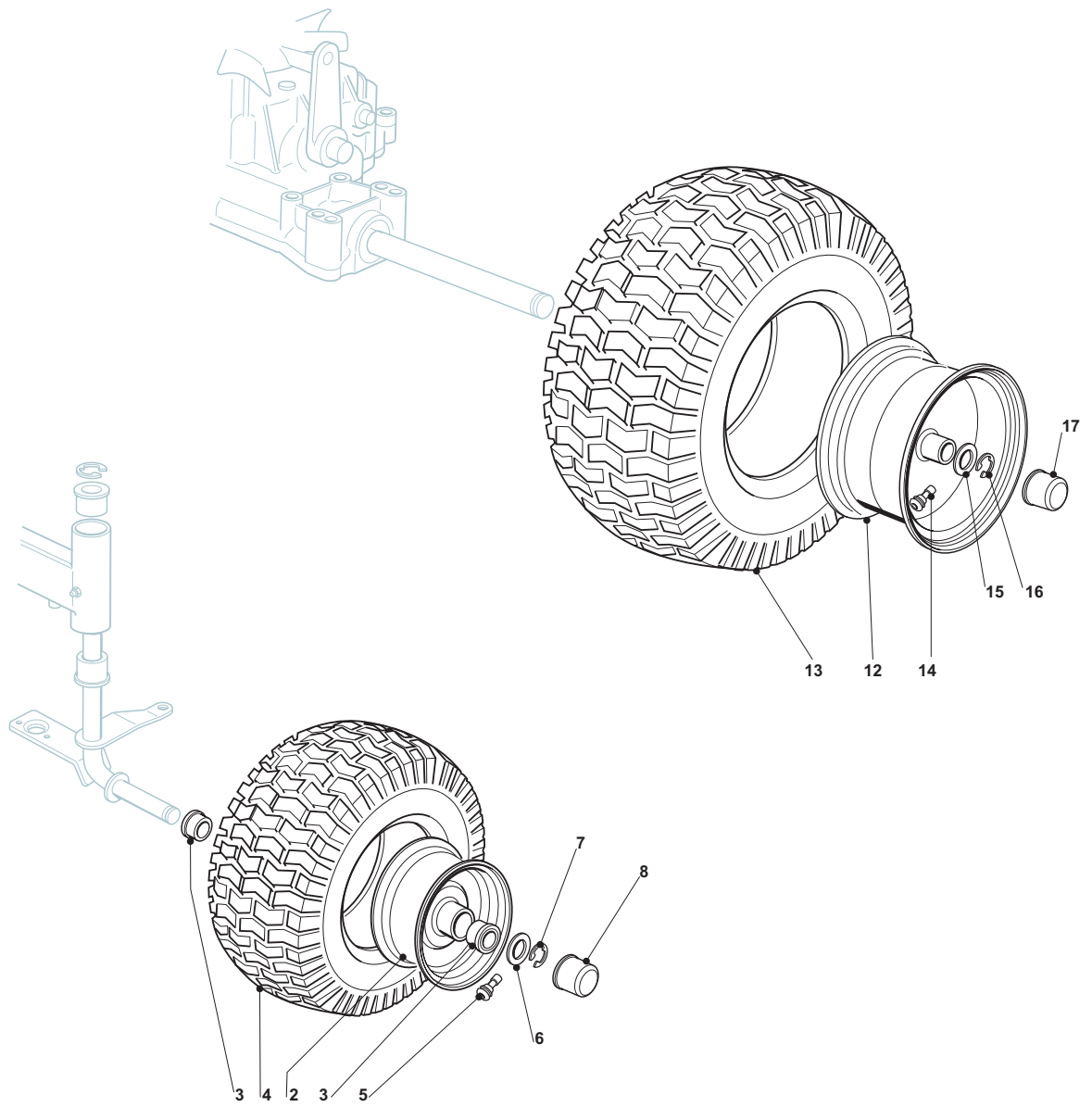
| Seat & Steering Wheel | | | | | | | |
|-----------------------|-------------|------|-------------|----------------|-------------|--------------|-------|
| POS | CODE | Q.TY | DESCRIZIONE | DESCRIPTION | DESCRIPTION | BESCHREIBUNG | NOTES |
| 1 | 25961201/0 | 1 | Volante | Steering Wheel | Volant | Lenkrad | |
| 2 | 25120230/0 | 1 | Tappo | Cap | Bouchon | Stopfen | |
| 3 | 12620299/0 | 1 | Spina | Pin | Goupille | Stift | |
| 11 | 25547033/1 | 1 | Piastra | Plate | Plaque | Platte | |
| 12 | 25430223/2 | 1 | Molla | Spring | Ressort | Feder | |
| 13 | 12789000/0 | 1 | Vite | Screw | Vis | Schraube | |
| 14 | 12154330/0 | 1 | Dado | Nut | Ecrou | Mutter | |
| 15 | 27063021/1 | 1 | Camma | Cam | Came | Nocken | |
| 16 | 12789100/0 | 2 | Vite | Screw | Vis | Schraube | |
| 17 | 12523020/0 | 2 | Rosetta | Washer | Rondelle | Scheibe | |
| 18 | 12154330/0 | 2 | Dado | Nut | Ecrou | Mutter | |
| 19 | 125722471/0 | 1 | Sedile | Seat | Siege | Sitz | |
| 20 | 12793101/0 | 4 | Vite | Screw | Vis | Schraube | |
| 21 | 12583500/0 | 4 | Grower | Grower | Grower | Grower | |
| 22 | 12523060/0 | 4 | Rondella | Washer | Rondelle | Scheibe | |



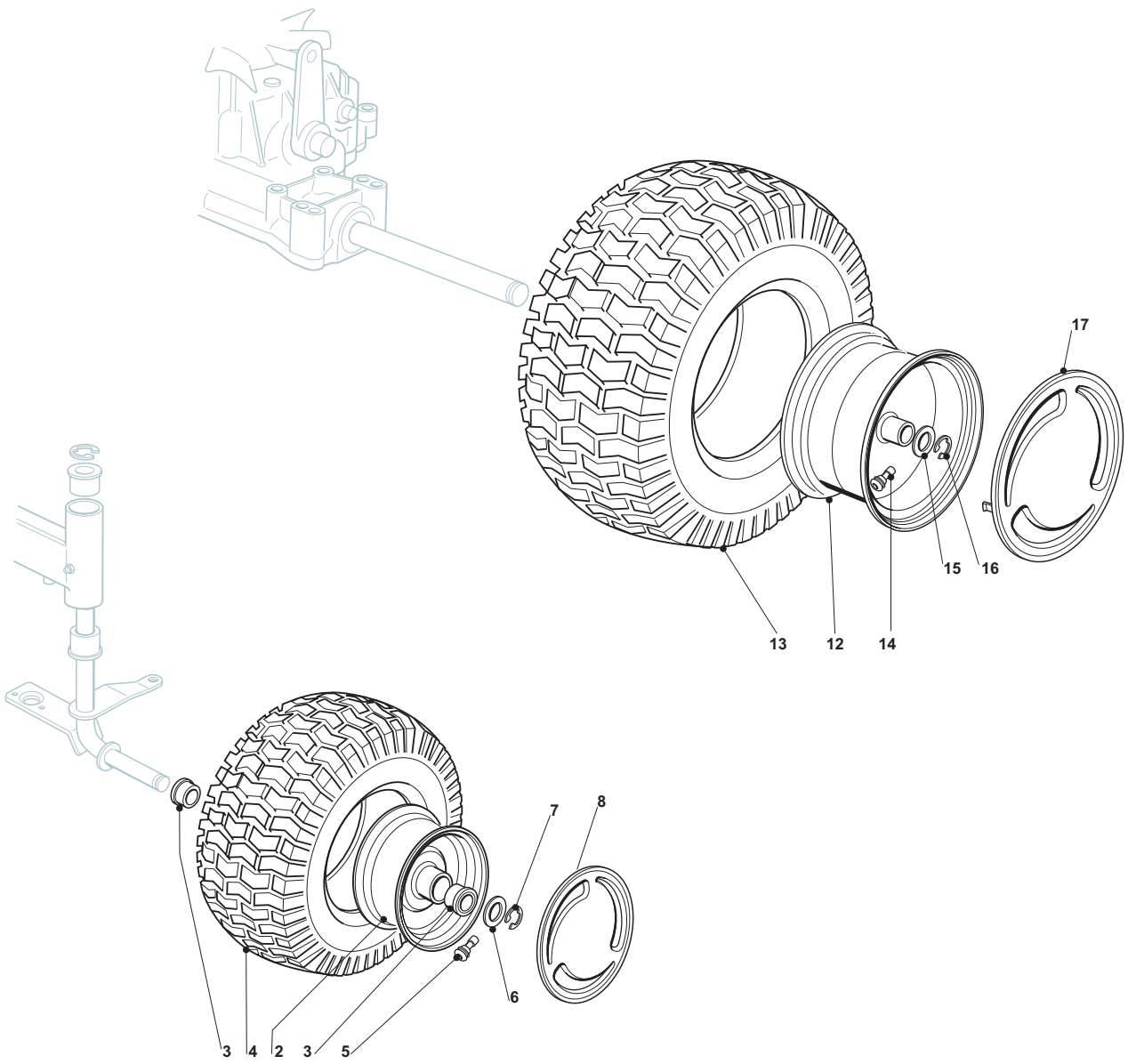
| Seat & Steering Wheel | | | | | | | |
|-----------------------|------------|------|-------------|----------------|---------------|-----------------|-------|
| POS | CODE | Q.TY | DESCRIZIONE | DESCRIPTION | DESCRIPTION | BESCHREIBUNG | NOTES |
| 1 | 25961209/0 | 1 | Volante | Steering Wheel | Volant | Lenkrad | |
| 2 | 25580501/0 | 1 | Tappo,Nero | Cap | Bouchon,Noire | Stopfen,Schwarz | |
| 3 | 12620299/0 | 1 | Spina | Pin | Goupille | Stift | |
| 11 | 25547033/1 | 1 | Piastra | Plate | Plaque | Platte | |
| 12 | 25430223/2 | 1 | Molla | Spring | Ressort | Feder | |
| 13 | 12789000/0 | 1 | Vite | Screw | Vis | Schraube | |
| 14 | 12154330/0 | 1 | Dado | Nut | Ecrou | Mutter | |
| 15 | 27063021/1 | 1 | Camma | Cam | Came | Nocken | |
| 16 | 12789100/0 | 2 | Vite | Screw | Vis | Schraube | |
| 17 | 12523020/0 | 2 | Rosetta | Washer | Rondelle | Scheibe | |
| 18 | 12154330/0 | 2 | Dado | Nut | Ecrou | Mutter | |
| 19 | 25722456/0 | 1 | Sedile | Seat | Siege | Sitz | |
| 20 | 12793101/0 | 4 | Vite | Screw | Vis | Schraube | |
| 21 | 12583500/0 | 4 | Grower | Grower | Grower | Grower | |
| 22 | 12523060/0 | 4 | Rondella | Washer | Rondelle | Scheibe | |



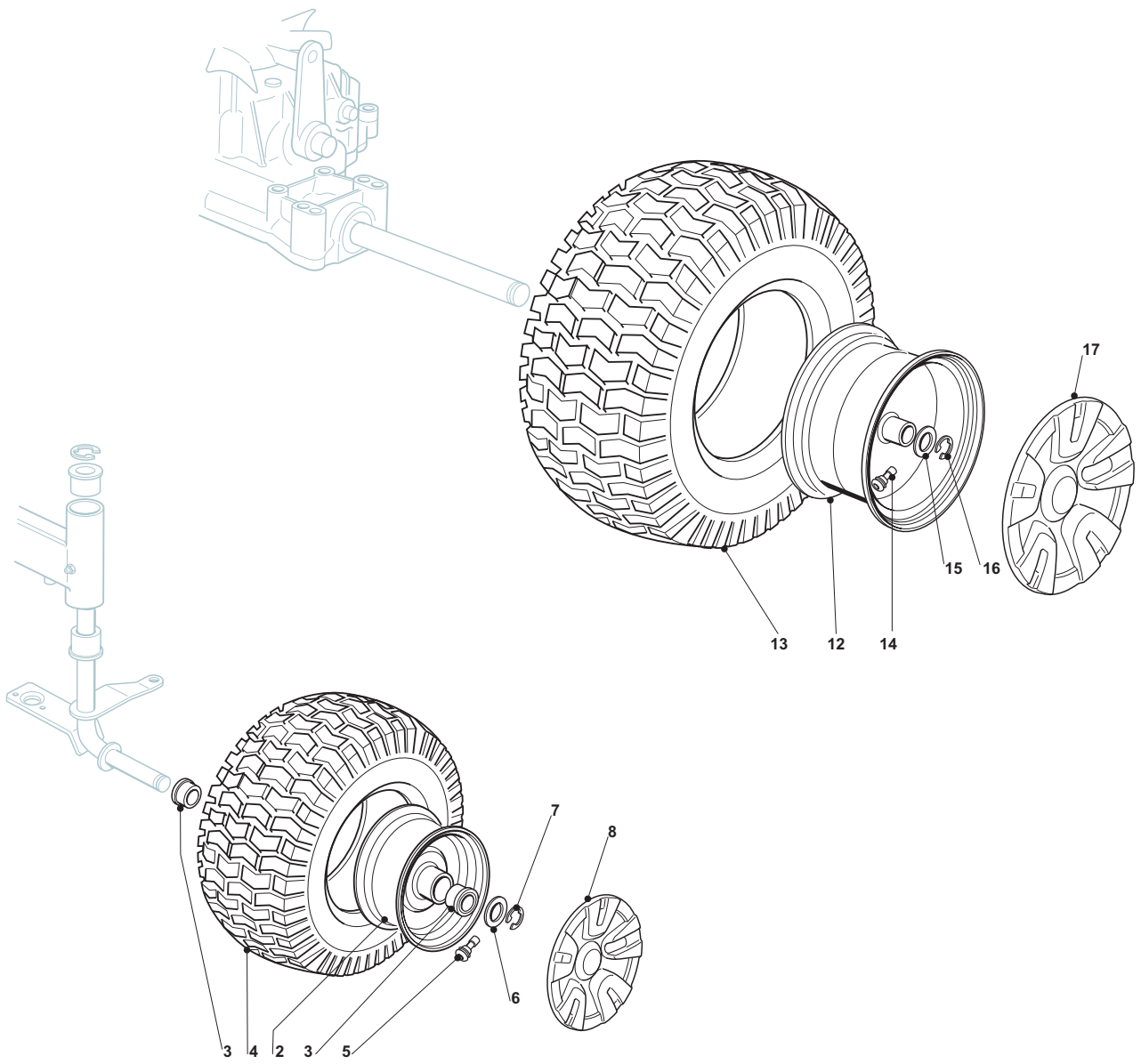
| Seat & Steering Wheel | | | | | | | |
|-----------------------|------------|------|--------------|----------------|---------------|-----------------|-------|
| POS | CODE | Q.TY | DESCRIZIONE | DESCRIPTION | DESCRIPTION | BESCHREIBUNG | NOTES |
| 1 | 25961216/0 | 1 | Volante,Nero | Steering Wheel | Volant,Noire | Lenkrad,Schwarz | |
| 2 | 25580501/0 | 1 | Tappo,Nero | Cap | Bouchon,Noire | Stopfen,Schwarz | |
| 3 | 12620299/0 | 1 | Spina | Pin | Goupille | Stift | |
| 11 | 25547033/1 | 1 | Piastra | Plate | Plaque | Platte | |
| 12 | 25430223/2 | 1 | Molla | Spring | Ressort | Feder | |
| 13 | 12789000/0 | 1 | Vite | Screw | Vis | Schraube | |
| 14 | 12154330/0 | 1 | Dado | Nut | Ecrou | Mutter | |
| 15 | 27063021/1 | 1 | Camma | Cam | Came | Nocken | |
| 16 | 12789100/0 | 2 | Vite | Screw | Vis | Schraube | |
| 17 | 12523020/0 | 2 | Rosetta | Washer | Rondelle | Scheibe | |
| 18 | 12154330/0 | 2 | Dado | Nut | Ecrou | Mutter | |
| 19 | 25722453/1 | 1 | Sedile | Seat | Siege | Sitz | |
| 20 | 12793101/0 | 4 | Vite | Screw | Vis | Schraube | |
| 21 | 12583500/0 | 4 | Grower | Grower | Grower | Grower | |
| 22 | 12523060/0 | 4 | Rondella | Washer | Rondelle | Scheibe | |



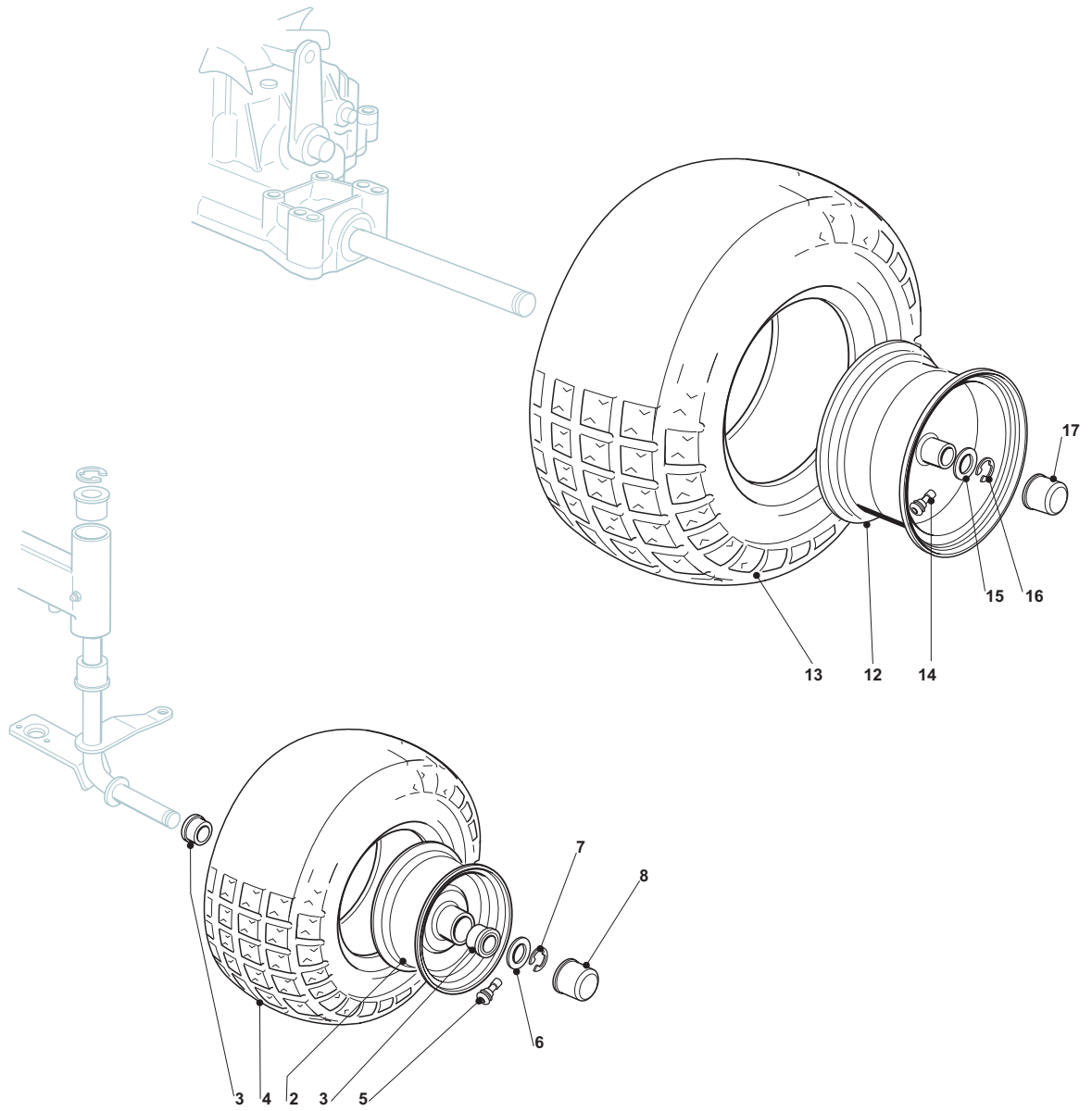
| Wheels | | | | | | | |
|--------|-------------|------|-----------------|-------------|----------------|-------------------|-------|
| POS | CODE | Q.TY | DESCRIZIONE | DESCRIPTION | DESCRIPTION | BESCHREIBUNG | NOTES |
| 2 | 182000598/0 | 2 | Cerchio Ruota | Rimm | Bandage Roue | Vorderrad Felger | |
| 3 | 25122200/2 | 4 | Cuscinetto | Bearing | Roulement | Lager | |
| 4 | 125590014/0 | 2 | Pneumatico 13 " | Tyre 13 " | Pneu 13 " | Reifen 13 " | |
| 4 | 127590066/0 | 2 | Pneumatico 15" | Tyre 15" | Pneu 15" | Reifen 15" | |
| 5 | 25950000/0 | 2 | Valvola | Valve | Soupape | Ventil | |
| 6 | 25670005/1 | 2 | Rosetta | Washer | Rondelle | Scheibe | |
| 7 | 12001000/0 | 2 | Anello Elastico | Snap Ring | Anneau Ressort | Sprengring | |
| 8 | 22110230/0 | 2 | Coprinozzo | Hub Cover | Couvre Moyeu | Nabendeckel | |
| 12 | 182000599/0 | 2 | Cerchio Ruota | Rimm | Bandage Roue | Hintrerrad Felger | |
| 13 | 125590015/0 | 2 | Pneumatico | Shoe | Pneu | Reifen | |
| 14 | 25950000/0 | 2 | Valvola | Valve | Soupape | Ventil | |
| 15 | 25670005/1 | 2 | Rosetta | Washer | Rondelle | Scheibe | |
| 16 | 12001010/0 | 2 | Anello Elastico | Snap Ring | Anneau Ressort | Sprengring | |
| 17 | 22110230/0 | 2 | Coprinozzo | Hub Cover | Couvre Moyeu | Nabendeckel | |



| Wheels | | | | | | | |
|--------|-------------|------|-------------------|-----------------|-------------------|-------------------|-------|
| POS | CODE | Q.TY | DESCRIZIONE | DESCRIPTION | DESCRIPTION | BESCHREIBUNG | NOTES |
| 2 | 182000598/0 | 2 | Cerchio Ruota | Rimm | Bandage Roue | Vorderrad Felger | |
| 3 | 25122200/2 | 4 | Cuscinetto | Bearing | Roulement | Lager | |
| 4 | 125590014/0 | 2 | Pneumatico 13 " | Tyre 13 " | Pneu 13 " | Reifen 13 " | |
| 4 | 127590066/0 | 2 | Pneumatico 15" | Tyre 15" | Pneu 15" | Reifen 15" | |
| 5 | 25950000/0 | 2 | Valvola | Valve | Soupape | Ventil | |
| 6 | 25670005/1 | 2 | Rosetta | Washer | Rondelle | Scheibe | |
| 7 | 12001000/0 | 2 | Anello Elastico | Snap Ring | Anneau Ressort | Sprengring | |
| 8 | 82110252/0 | 2 | Coprinozzo | Hub Cover | Couvre Moyeu | Nabendeckel | |
| 12 | 182000599/0 | 2 | Cerchio Ruota | Rimm | Bandage Roue | Hintrerrad Felger | |
| 13 | 125590015/0 | 2 | Pneumatico | Shoe | Pneu | Reifen | |
| 14 | 25950000/0 | 2 | Valvola | Valve | Soupape | Ventil | |
| 15 | 25670005/1 | 2 | Rosetta | Washer | Rondelle | Scheibe | |
| 16 | 12001010/0 | 2 | Anello Elastico | Snap Ring | Anneau Ressort | Sprengring | |
| 17 | 82110253/0 | 2 | Copri ruota Post. | Rear Wheel Deck | Couvre Roue Post. | Hinterraddeckel | |



| Wheels | | | | | | | |
|--------|-------------|------|-------------------|-----------------|-------------------|-------------------|-------|
| POS | CODE | Q.TY | DESCRIZIONE | DESCRIPTION | DESCRIPTION | BESCHREIBUNG | NOTES |
| 2 | 182000598/0 | 2 | Cerchio Ruota | Rimm | Bandage Roue | Vorderrad Felger | |
| 3 | 25122200/2 | 4 | Cuscinetto | Bearing | Roulement | Lager | |
| 4 | 125590014/0 | 2 | Pneumatico 13 " | Tyre 13 " | Pneu 13 " | Reifen 13 " | |
| 4 | 127590066/0 | 2 | Pneumatico 15" | Tyre 15" | Pneu 15" | Reifen 15" | |
| 5 | 25950000/0 | 2 | Valvola | Valve | Soupape | Ventil | |
| 6 | 25670005/1 | 2 | Rosetta | Washer | Rondelle | Scheibe | |
| 7 | 12001000/0 | 2 | Anello Elastico | Snap Ring | Anneau Ressort | Sprengring | |
| 8 | 82110274/0 | 2 | Coprinozzo | Hub Cover | Couvre Moyeu | Nabendeckel | |
| 12 | 182000599/0 | 2 | Cerchio Ruota | Rimm | Bandage Roue | Hintrerrad Felger | |
| 13 | 125590015/0 | 2 | Pneumatico | Shoe | Pneu | Reifen | |
| 14 | 25950000/0 | 2 | Valvola | Valve | Soupape | Ventil | |
| 15 | 25670005/1 | 2 | Rosetta | Washer | Rondelle | Scheibe | |
| 16 | 12001010/0 | 2 | Anello Elastico | Snap Ring | Anneau Ressort | Sprengring | |
| 17 | 82110275/0 | 2 | Copri ruota Post. | Rear Wheel Deck | Couvre Roue Post. | Hinterraddeckel | |



| Wheels | | | | | | | |
|--------|-------------|------|-----------------|-------------|----------------|------------------|-------|
| POS | CODE | Q.TY | DESCRIZIONE | DESCRIPTION | DESCRIPTION | BESCHREIBUNG | NOTES |
| 2 | 82000590/1 | 2 | Cerchio Ruota | Rimm | Bandage Roue | Vorderrad Felger | |
| 3 | 25122200/2 | 4 | Cuscinetto | Bearing | Roulement | Lager | |
| 4 | 125590020/0 | 2 | Pneumatico 15" | Tyre 15" | Pneu 15" | Reifen 15" | |
| 5 | 25950000/0 | 2 | Valvola | Valve | Soupape | Ventil | |
| 6 | 25670005/1 | 2 | Rosetta | Washer | Rondelle | Scheibe | |
| 7 | 12001000/0 | 2 | Anello Elastico | Snap Ring | Anneau Ressort | Sprengring | |
| 8 | 22110230/0 | 2 | Coprimezzo | Hub Cover | Couvre Moyeu | Nabendeckel | |
| 12 | 82000592/0 | 2 | Cerchio Ruota | Rimm | Bandage Roue | Hinterrad Felger | |
| 13 | 125590022/0 | 2 | Pneumatico | Tyre | Pneu | Reifen | |
| 14 | 25950000/0 | 2 | Valvola | Valve | Soupape | Ventil | |
| 15 | 25670005/1 | 2 | Rosetta | Washer | Rondelle | Scheibe | |
| 16 | 12001010/0 | 2 | Anello Elastico | Snap Ring | Anneau Ressort | Sprengring | |
| 17 | 22110230/0 | 2 | Coprimezzo | Hub Cover | Couvre Moyeu | Nabendeckel | |