

ILLUSTRATED PARTS LIST

NT 484 TRE Q NT 484 TRE



- Use GLOBAL GARDEN PRODUCT Genuine Spare Parts specified in the parts list for repair and/or replacement.
- The contents described in the parts list may change due to improvement.
- The drawings of the spare parts are only indicative and might not represent the part in question exactly.
- The indications "right" - "left" - "front" - "rear" refer to the position of the operator when using the machine.
- When placing orders of parts for repair and/or replacement, make sure that the illustrated parts list is the one applying to the machine's year of manufacture, as shown on the identification plate attached to the machine.

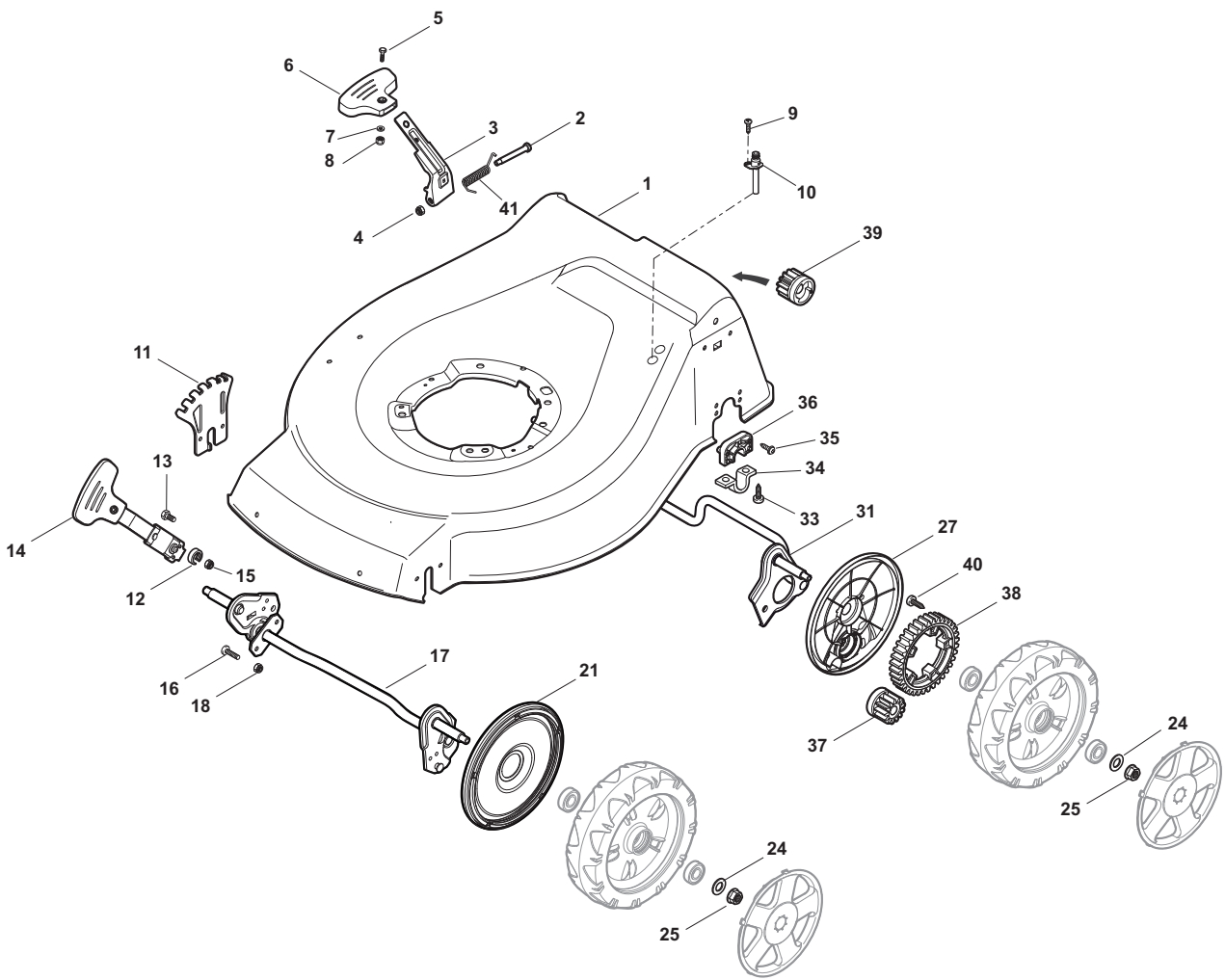
© Copyright 2012 Global Garden Products

All content is subject to copyright by Global Garden Products and may not be reproduced in whole or in part by any means, electronic or otherwise, without prior written approval.

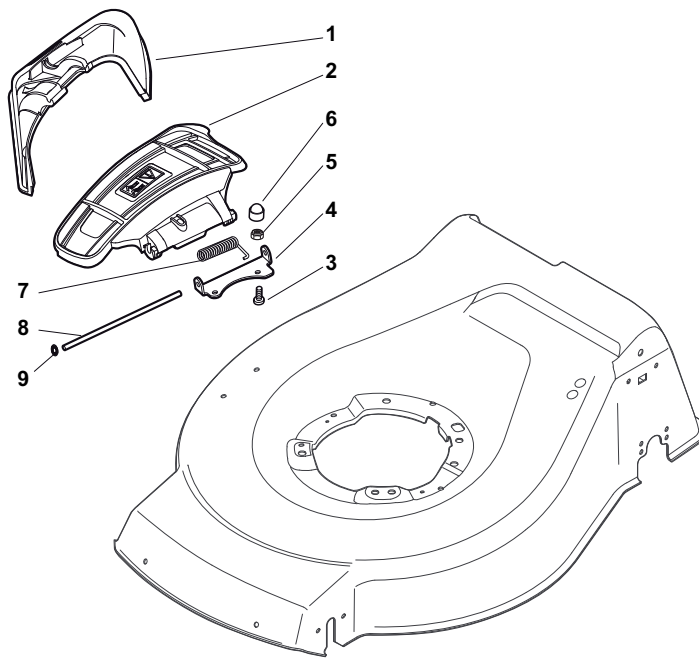
THIS INFORMATION IS NOT INTENDED FOR SALE OR RESALE, AND THIS NOTICE MUST REMAIN ON ALL COPIES.



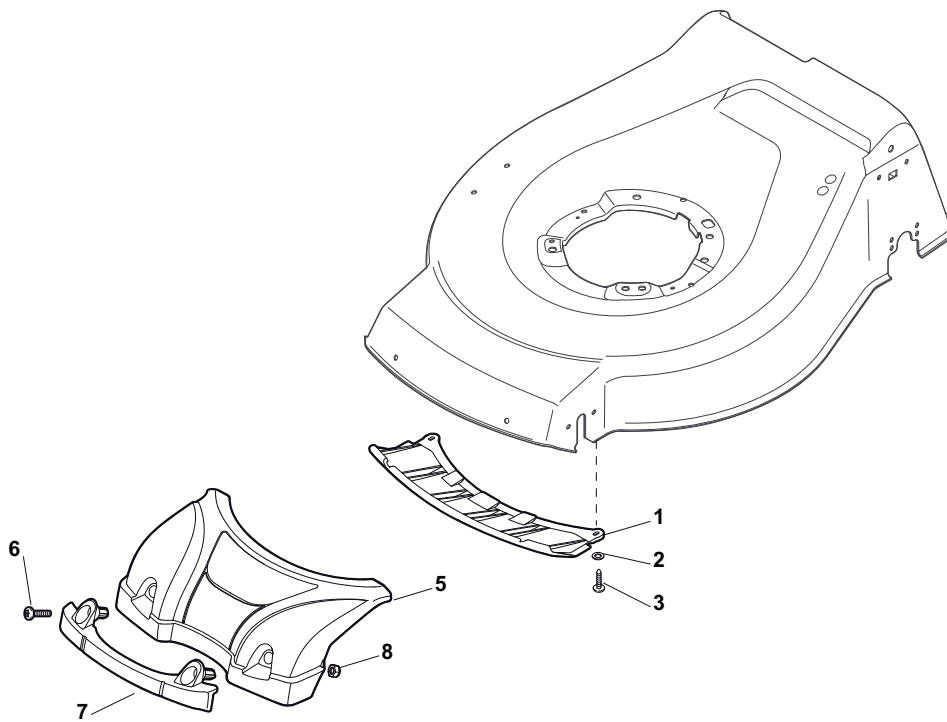
GLOBAL GARDEN PRODUCTS



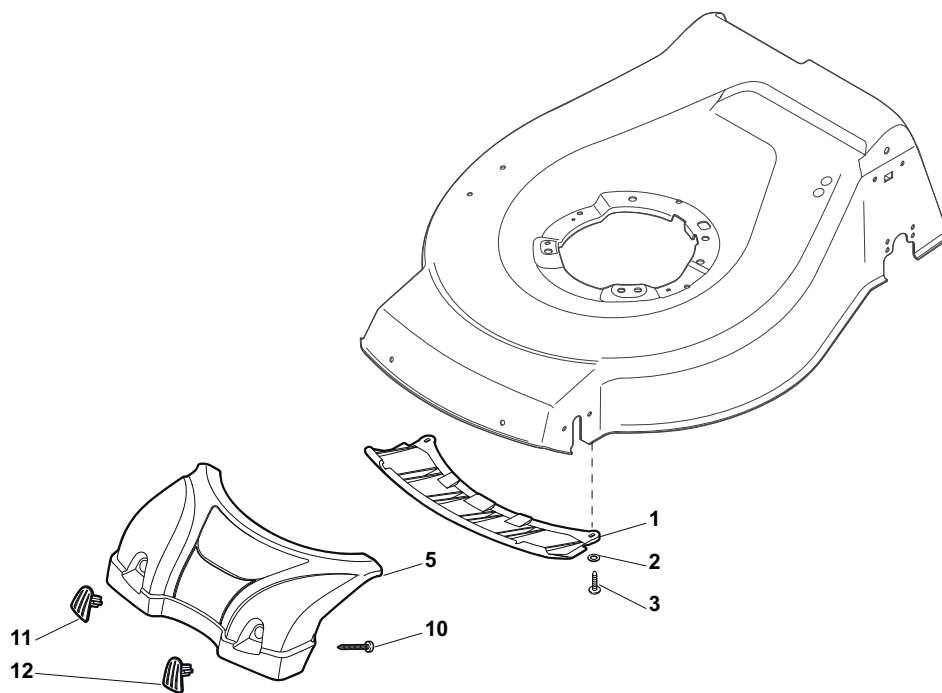
| POS | PART. NO | Q.ty | DESCRIPTION | DESCRIZIONE | DESCRIPTION | BESCHREIBUNG | REMARKS |
|-----|-------------|------|---------------------------|-----------------------------|-------------------------|-------------------------|----------------|
| 1 | 381004536/0 | 1 | Deck Red | Chassis Rosso | Châssis Rouge | Gehäuse Rot | |
| 1 | 381004562/0 | 1 | Deck Yellow | Chassis Giallo | Châssis Jaune | Gehäuse Gelb | |
| 1 | 381004538/0 | 1 | Deck Red | Chassis Rosso | Châssis Rouge | Gehäuse Rot | Side Discharge |
| 2 | 122534131/0 | 1 | Pin | Perno | Pivot | Bolzen | |
| 3 | 381003398/0 | 1 | Lever, Height Adjustment | Leva Regolazione Altezza | Levier, Reglage Hauteur | Hebel, Höheverstellung | |
| 4 | 12154510/0 | 1 | Nut | Dado | Ecrou | Mutter | |
| 5 | 12788512/0 | 1 | Screw | Vite | Vis | Schraube | |
| 6 | 322394503/0 | 1 | Knob | Manopolina | Poignée | Griff | |
| 7 | 12521310/0 | 1 | Washer | Rondella | Rondelle | Scheibe | |
| 8 | 12150000/0 | 1 | Nut | Dado | Ecrou | Mutter | |
| 9 | 12728450/0 | 1 | Screw | Vite | Vis | Schraube | |
| 10 | 322034002/0 | 1 | Washing Connection | Attacco Acqua Lavaggio | Attaque Lavage | Waschenverbindung | |
| 11 | 322735587/0 | 1 | Sector, Height Adjustment | Settore Regolazione Altezza | Secteur Reglage Hauteur | Sektor, Höheverstellung | |
| 12 | 22171002/0 | 2 | Spacer | Distanziale | Entretoise | Distanzring | |
| 13 | 12789000/0 | 2 | Screw | Vite | Vis | Schraube | |
| 14 | 381003351/0 | 1 | Lever, Height Adjustment | Leva Regolazione Altezza | Levier Reglage Hauteur | Hebel, Höneverstellung | |
| 15 | 12154330/0 | 2 | Nut | Dado | Ecrou | Mutter | |
| 16 | 112727803/0 | 4 | Screw | Vite | Vis | Schraube | |
| 17 | 381002881/1 | 1 | Axle, Front Wheels | Asse Ruote Anteriori | Axe Roues Avant | Achse, Vorderrad | |
| 18 | 12154510/0 | 4 | Nut | Dado | Ecrou | Mutter | |
| 21 | 322600145/0 | 2 | Protection, Wheel | Prot. Ruote | Protection Roue | Schütz, Räder | |
| 24 | 12521350/0 | 4 | Washer | Rondella | Rondelle | Scheibe | |
| 25 | 12155000/0 | 4 | Nut | Dado | Ecrou | Mutter | |
| 27 | 322600207/0 | 2 | Protection, Wheel | Prot. Ruote | Protection Roue | Schütz, Räder | |
| 31 | 381302827/0 | 1 | Axle, Rear Wheels | Asse Ruote Posteriori | Axe Roues Arriere | Achse, Hinterrad | |
| 33 | 112728697/0 | 4 | Screw | Vite | Vis | Schraube | |
| 34 | 22545152/0 | 2 | Plate | Piastrina | Plaquette | Platte | |
| 35 | 112728697/0 | 4 | Screw | Vite | Vis | Schraube | |
| 36 | 322785304/1 | 2 | Support | Supporto | Support | Halter | |
| 37 | 22570120/1 | 1 | Pinion L | Pignone Sx | Pignon G | Ritzel Linkes | |
| 38 | 322120114/0 | 2 | Ring Gear | Corona Trasinamento | Couronne | Kranz | |
| 39 | 22570110/1 | 1 | Pinion R | Pignone Dx | Pignon D | Ritzel Rechtes | |
| 40 | 112728706/0 | 6 | Spring | Molla | Ressort | Feder | |
| 41 | 122446192/0 | 1 | Screw | Vite | Vis | Schraube | |



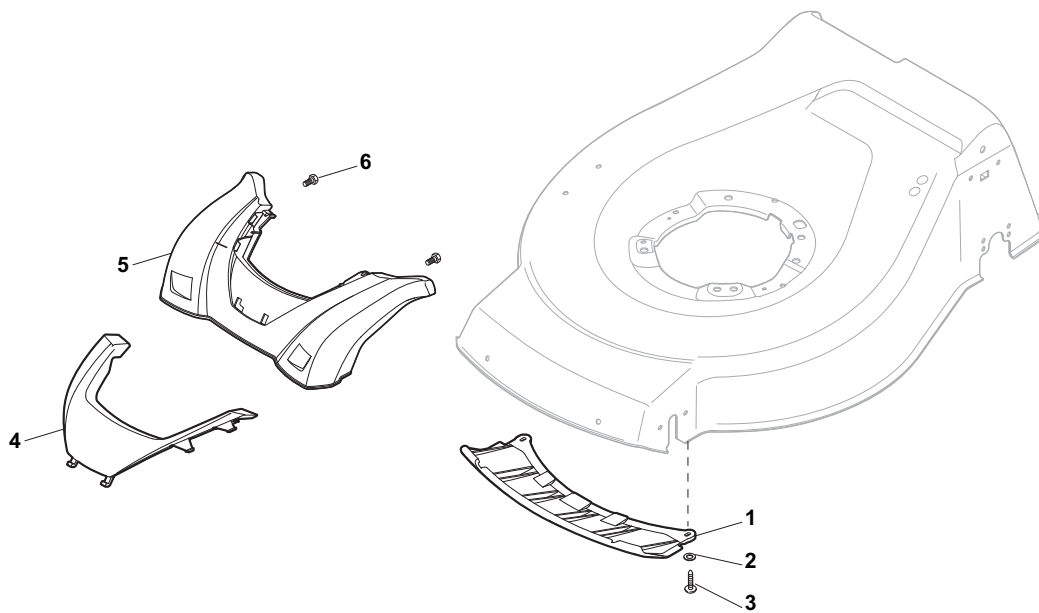
| POS | PART. NO | Q.ty | DESCRIPTION | DESCRIZIONE | DESCRIPTION | BESCHREIBUNG | REMARKS |
|-----|-------------|------|----------------|--------------------|---------------------|---------------|---------|
| 1 | 322108295/0 | 1 | Stone-Guard | Parasassi | Pare-Pierres | Prallblech | |
| 2 | 322600195/0 | 1 | Ejection Guard | Protezione Uscita | Protection Sortie | Auswurfschutz | |
| 3 | 112727803/0 | 2 | Screw | Vite | Vis | Schraube | |
| 4 | 322806639/0 | 1 | Fulcrum Pin | Fulcro | Point D'Appui | Gelenkpunkt | |
| 5 | 12154510/0 | 2 | Nut | Dado | Ecrou | Mutter | |
| 6 | 18203853/0 | 2 | Protection | Cappuccio | Capuchon | Stecker | |
| 7 | 122450456/0 | 1 | Spring | Molla | Ressort | Feder | |
| 8 | 122517869/0 | 1 | Pin | Perno | Pivot | Bolzen | |
| 9 | 12604896/0 | 2 | Crown Fastener | Fissatore A Corona | Fixateur A Couronne | Kronescheibe | |



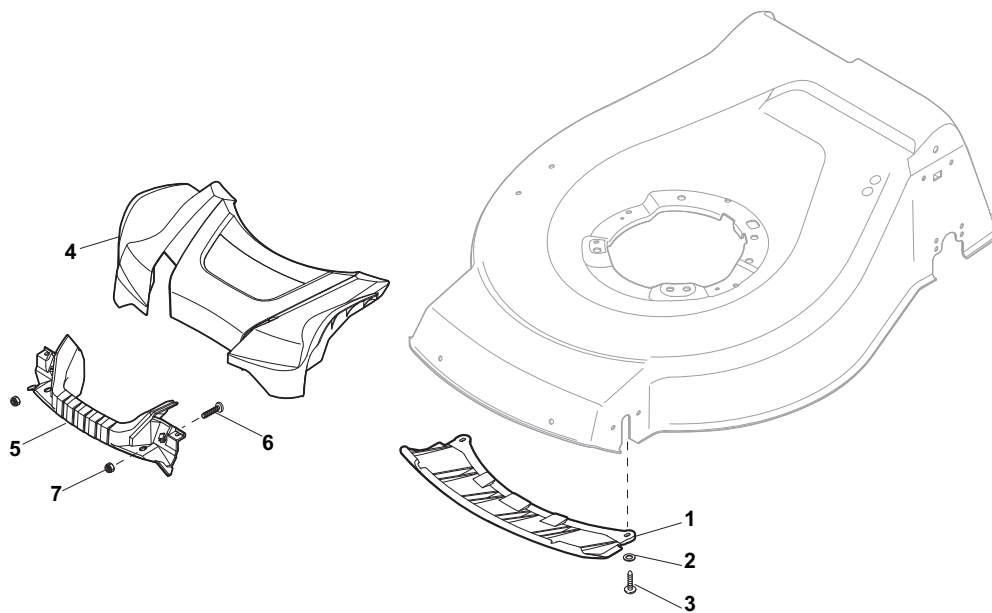
| POS | PART. NO | Q.ty | DESCRIPTION | DESCRIZIONE | DESCRIPTION | BESCHREIBUNG | REMARKS |
|-----|-------------|------|------------------|---------------------|---------------------|----------------|---------|
| 1 | 322500102/0 | 1 | Air Intake Grill | Griglia Aspirazione | Grille D'Aspiration | Ansauggitter | |
| 2 | 112523000/1 | 2 | Washer | Rosetta | Rondelle | Scheibe | |
| 3 | 12728124/0 | 2 | Screw | Vite | Vis | Schraube | |
| 5 | 322226144/0 | 1 | Mask, Red | Mascherina, Rosso | Mesque, Rouge | Maske, Rot | |
| 5 | 322226151/0 | 1 | Mask, Black | Mascherina, Nero | Mesque, Noire | Maske, Schwarz | |
| 5 | 322226143/0 | 1 | Mask, Red | Mascherina, Rosso | Mesque, Rouge | Maske, Rot | |
| 5 | 322226153/0 | 1 | Mask, Black | Mascherina, Nero | Mesque, Noire | Maske, Schwarz | |
| 5 | 322226155/0 | 1 | Mask, Yellow | Mascherina, Giallo | Mesque, Jaune | Maske, Gelb | |
| 6 | 112727799/0 | 2 | Screw | Vite | Vis | Schraube | |
| 7 | 322393638/0 | 1 | Handle, Black | Maniglia, Nero | Poignee, Noire | Griff, Schwarz | |
| 7 | 322393640/0 | 1 | Handle, Yellow | Maniglia, Gialla | Poignee, Jaune | Griff, Gelb | |
| 7 | 322393639/0 | 1 | Handle, Grey | Maniglia, Grigio | Poignee, Gris | Griff, Grau | |
| 8 | 12154510/0 | 2 | Nut | Dado | Ecrou | Mutter | |



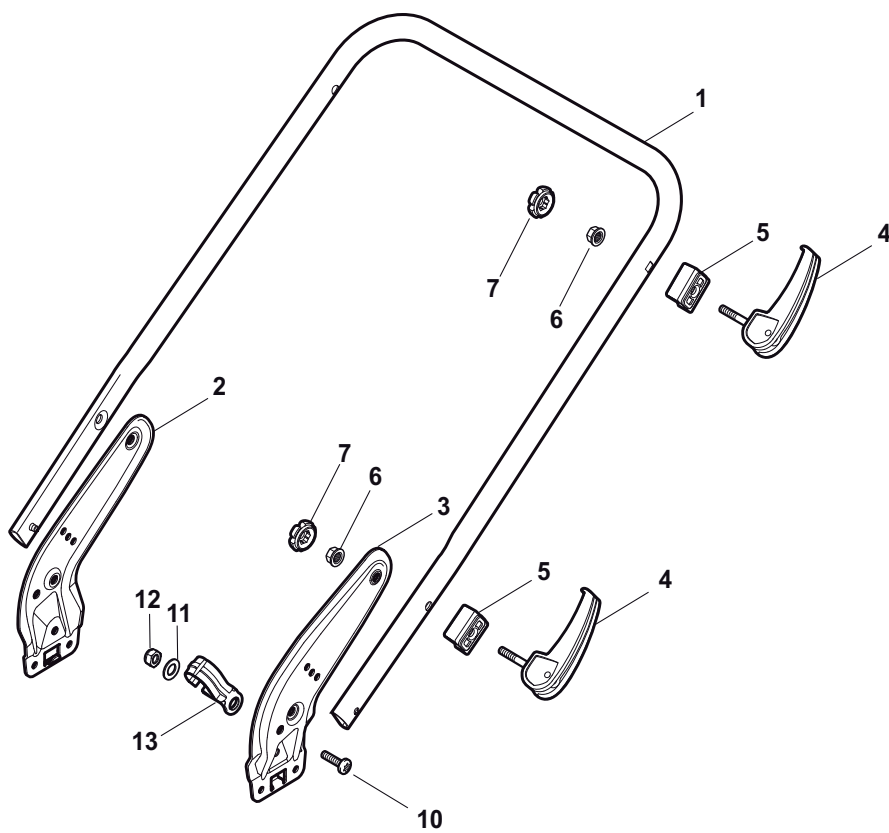
| POS | PART. NO | Q.ty | DESCRIPTION | DESCRIZIONE | DESCRIPTION | BESCHREIBUNG | REMARKS |
|-----|-------------|------|------------------|---------------------|---------------------|----------------|---------|
| 1 | 322500102/0 | 1 | Air Intake Grill | Griglia Aspirazione | Grille D'Aspiration | Ansauggitter | |
| 2 | 112523000/1 | 2 | Washer | Rosetta | Rondelle | Scheibe | |
| 3 | 12728124/0 | 2 | Screw | Vite | Vis | Schraube | |
| 5 | 322226144/0 | 1 | Mask, Red | Mascherina, Rosso | Mesque, Rouge | Maske, Rot | |
| 5 | 322226151/0 | 1 | Mask, Black | Mascherina, Nero | Mesque, Noire | Maske, Schwarz | |
| 5 | 322226143/0 | 1 | Mask, Red | Mascherina, Rosso | Mesque, Rouge | Maske, Rot | |
| 5 | 322226153/0 | 1 | Mask, Black | Mascherina, Nero | Mesque, Noire | Maske, Schwarz | |
| 5 | 322226155/0 | 1 | Mask, Yellow | Mascherina, Giallo | Mesque, Jaune | Maske, Gelb | |
| 10 | 112728697/0 | 2 | Screw | Vite | Vis | Schraube | |
| 11 | 322820082/0 | 1 | Cap | Tappo | Bouchon | Gummistopfen | |
| 12 | 322820083/0 | 1 | Cap | Tappo | Bouchon | Gummistopfen | |



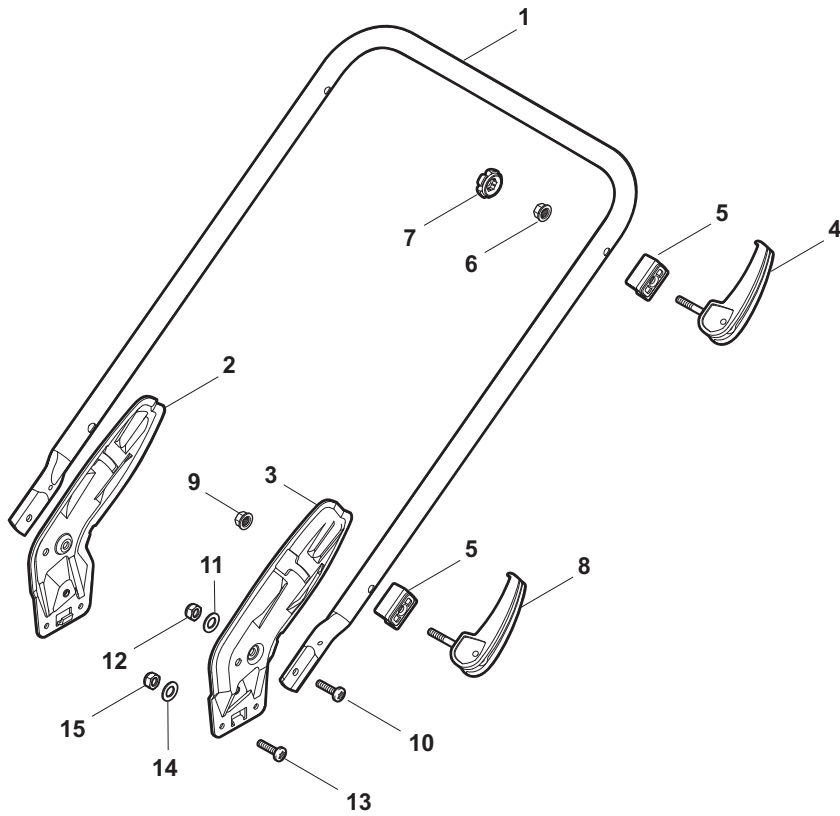
| POS | PART. NO | Q.ty | DESCRIPTION | DESCRIZIONE | DESCRIPTION | BESCHREIBUNG | REMARKS |
|-----|-------------|------|------------------|---------------------|---------------------|----------------|---------|
| 1 | 322500102/0 | 1 | Air Intake Grill | Griglia Aspirazione | Grille D'Aspiration | Ansauggitter | |
| 2 | 112523000/1 | 2 | Washer | Rosetta | Rondelle | Scheibe | |
| 3 | 12728124/0 | 2 | Screw | Vite | Vis | Schraube | |
| 4 | 322226167/0 | 1 | Frontal Plate | Placca Frontale | Plaque Frontale | Frontplatte | |
| 5 | 322226165/0 | 1 | Mask, Black | Mascherina, Nero | Mesque, Noire | Maske, Schwarz | |
| 6 | 12728300/0 | 2 | Screw | Vite | Vis | Schraube | |



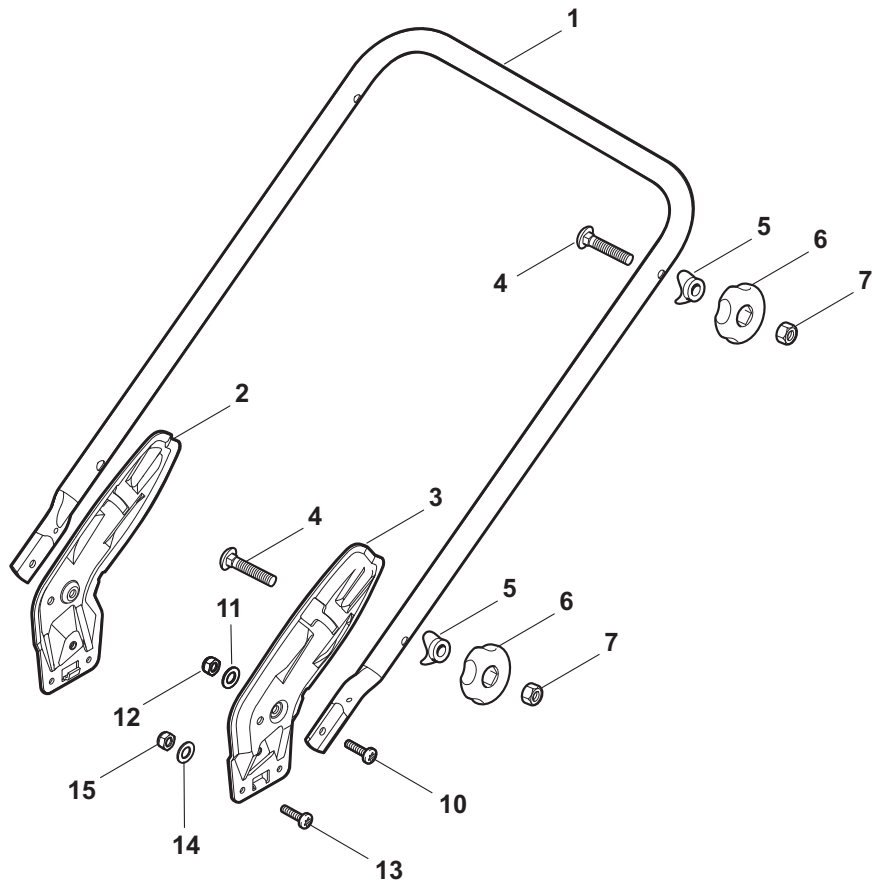
| POS | PART. NO | Q.ty | DESCRIPTION | DESCRIZIONE | DESCRIPTION | BESCHREIBUNG | REMARKS |
|-----|-------------|------|------------------|---------------------|---------------------|----------------|---------|
| 1 | 322500102/0 | 1 | Air Intake Grill | Griglia Aspirazione | Grille D'Aspiration | Ansauggitter | |
| 2 | 112523000/1 | 2 | Washer | Rosetta | Rondelle | Scheibe | |
| 3 | 12728124/0 | 2 | Screw | Vite | Vis | Schraube | |
| 4 | 322226157/0 | 1 | Mask, Black | Mascherina, Nero | Mesque, Noire | Maske, Schwarz | |
| 5 | 322393642/0 | 1 | Bumper | Bumper | Bumper | Bumper | |
| 6 | 12727799/0 | 2 | Screw | Vite | Vis | Schraube | |
| 7 | 12154510/0 | 2 | Nut | Dado | Ecrou | Mutter | |



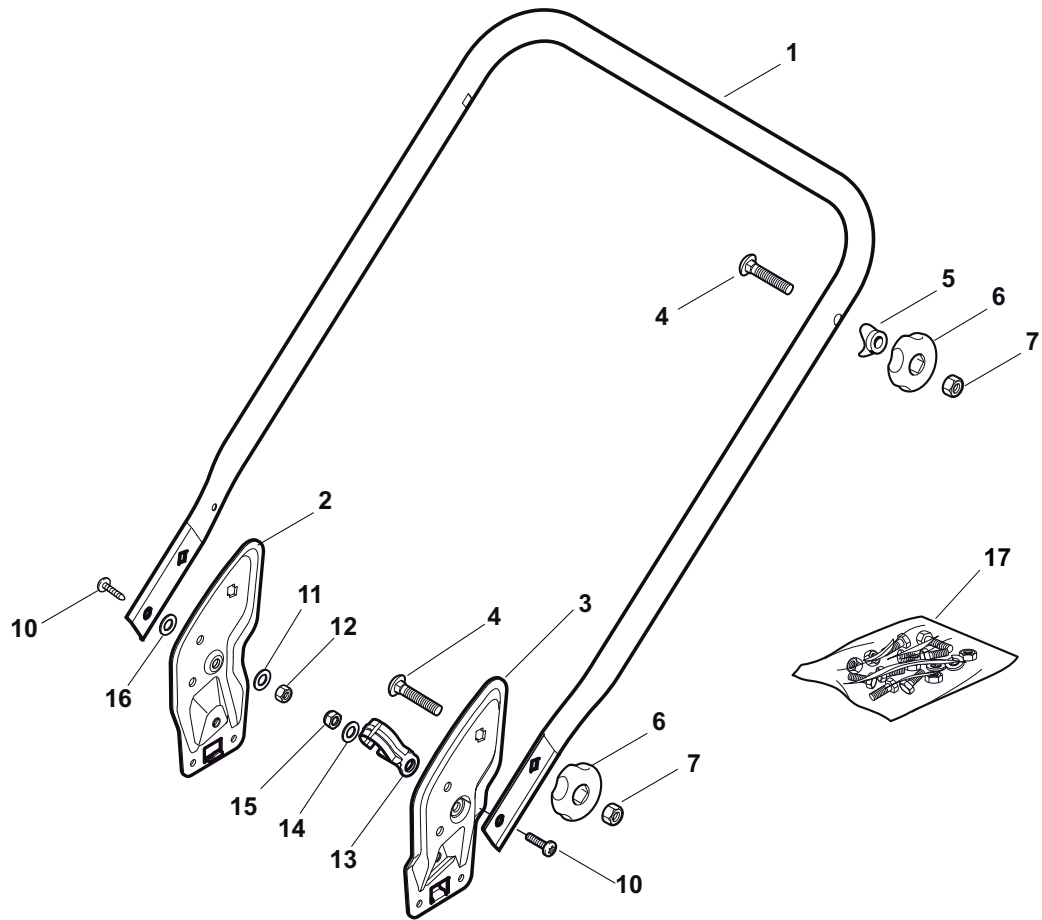
| POS | PART. NO | Q.ty | DESCRIPTION | DESCRIZIONE | DESCRIPTION | BESCHREIBUNG | REMARKS |
|-----|-------------|------|--------------------|-------------------|------------------------------|------------------|---------|
| 1 | 381006719/0 | 1 | Handle, Lower Part | Manico, Parte Inf | Mancheron, Partie Inferieure | Holm, Unterteil | Black |
| 1 | 381006720/0 | 1 | Handle, Lower Part | Manico, Parte Inf | Mancheron, Partie Inferieure | Holm, Unterteil | Grey |
| 2 | 381005149/0 | 1 | Bracket, R | Staffa Dx | Bride D | Pratze, Rechte | |
| 3 | 381005151/0 | 1 | Bracket, L | Staffa Sx | Bride G | Pratze, Linke | |
| 4 | 381003253/0 | 4 | Handle | Maniglia | Poignee | Griff | |
| 5 | 322680016/0 | 4 | Support | Supporto | Support | Halter | |
| 6 | 22131750/0 | 4 | Nut | Dado | Ecrou | Mutter | |
| 7 | 322399835/0 | 4 | Knob | Manopolina | Poignée | Griff | |
| 10 | 12760605/0 | 2 | Screw | Vite | Vis | Schraube | |
| 11 | 25038002/1 | 1 | Bush | Bussola | Douille | Buchse | |
| 12 | 12155000/0 | 2 | Nut | Dado | Ecrou | Mutter | |
| 13 | 322192156/0 | 1 | Fair Led | Fascetta | Fixation De Cable | Kabelbefestigung | |



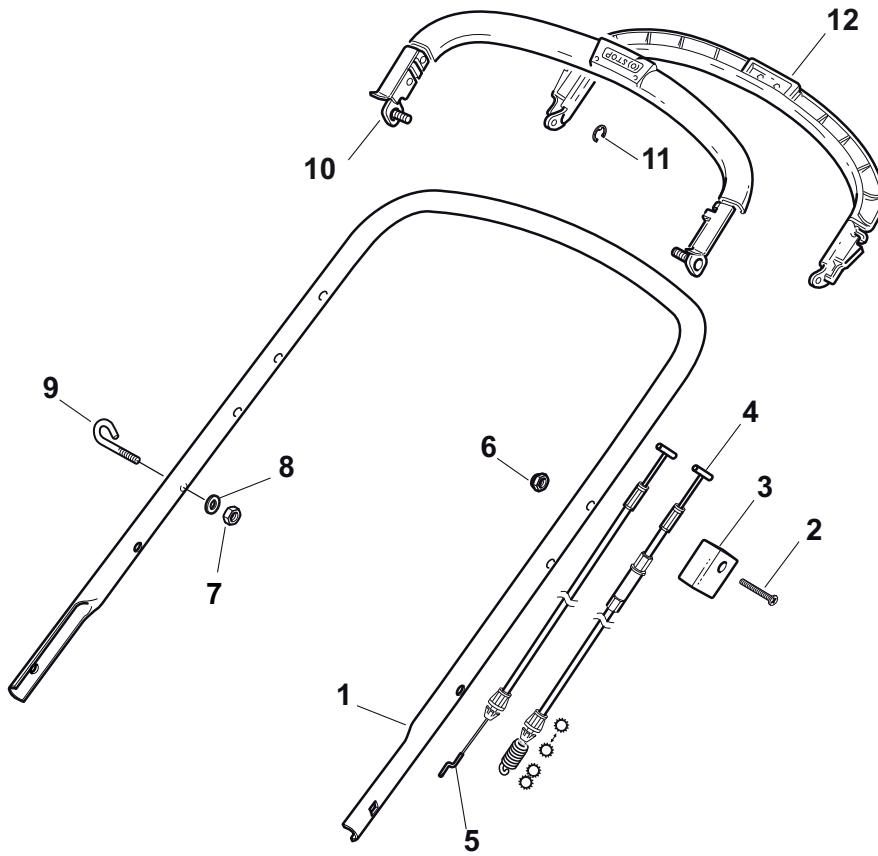
| POS | PART. NO | Q.ty | DESCRIPTION | DESCRIZIONE | DESCRIPTION | BESCHREIBUNG | REMARKS |
|-----|-------------|------|--------------------|-------------------|------------------------|-----------------|---------|
| 1 | 381006889/0 | 1 | Handle, Lower Part | Manico, Parte Inf | Mancheron, Partie Inf. | Holm, Unterteil | |
| 2 | 381005125/0 | 1 | Bracket, R | Staffa Dx | Bride D | Pratze, Rechte | |
| 3 | 381005127/0 | 1 | Bracket, L | Staffa Sx | Bride G | Pratze, Linke | |
| 4 | 381003253/0 | 2 | Handle | Maniglia | Poignee | Griff | |
| 5 | 322680016/0 | 4 | Support | Supporto | Support | Halter | |
| 6 | 22131750/0 | 2 | Nut | Dado | Ecrou | Mutter | |
| 7 | 322399835/0 | 2 | Knob | Manopolina | Poignée | Griff | |
| 8 | 381003254/0 | 1 | Handle | Maniglia | Poignee | Griff | |
| 9 | 112154220/0 | 2 | Nut | Dado | Ecrou | Mutter | |
| 10 | 12760605/0 | 2 | Screw | Vite | Vis | Schraube | |
| 11 | 12521350/0 | 2 | Washer | Rosetta | Rondelle | Scheibe | |
| 12 | 12155000/0 | 2 | Nut | Dado | Ecrou | Mutter | |
| 13 | 112727803/0 | 6 | Screw | Vite | Vis | Schraube | |
| 14 | 12523040/0 | 6 | Washer | Rosetta | Rondelle | Scheibe | |
| 15 | 12154510/0 | 6 | Nut | Dado | Ecrou | Mutter | |



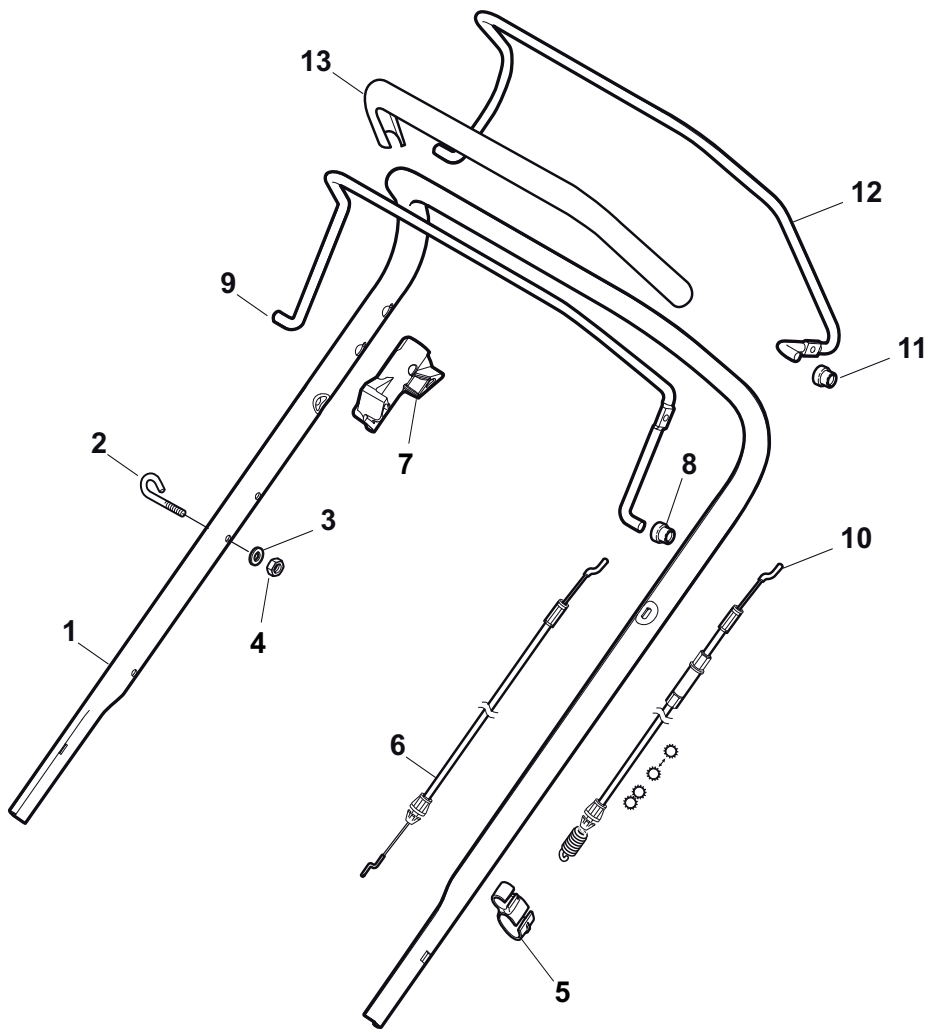
| POS | PART. NO | Q.ty | DESCRIPTION | DESCRIZIONE | DESCRIPTION | BESCHREIBUNG | REMARKS |
|-----|-------------|------|--------------------|-------------------|------------------------|-----------------|---------|
| 1 | 381006889/0 | 1 | Handle, Lower Part | Manico, Parte Inf | Mancheron, Partie Inf. | Holm, Unterteil | |
| 2 | 381005125/0 | 1 | Bracket, R | Staffa Dx | Bride D | Pratze, Rechte | |
| 3 | 381005127/0 | 1 | Bracket, L | Staffa Sx | Bride G | Pratze, Linke | |
| 4 | 12819120/0 | 4 | Screw | Vite | Vis | Schraube | |
| 5 | 22680006/1 | 4 | Washer | Rosetta | Rondelle | Scheibe | |
| 6 | 322399804/1 | 4 | Knob | Manopolina | Poignée | Griff | |
| 7 | 12293200/0 | 4 | Nut | Dado | Ecrou | Mutter | |
| 10 | 12760605/0 | 2 | Screw | Vite | Vis | Schraube | |
| 11 | 12521350/0 | 2 | Washer | Rosetta | Rondelle | Scheibe | |
| 12 | 12155000/0 | 2 | Nut | Dado | Ecrou | Mutter | |
| 13 | 112727803/0 | 6 | Screw | Vite | Vis | Schraube | |
| 14 | 12523040/0 | 6 | Washer | Rosetta | Rondelle | Scheibe | |
| 15 | 12154510/0 | 6 | Nut | Dado | Ecrou | Mutter | |



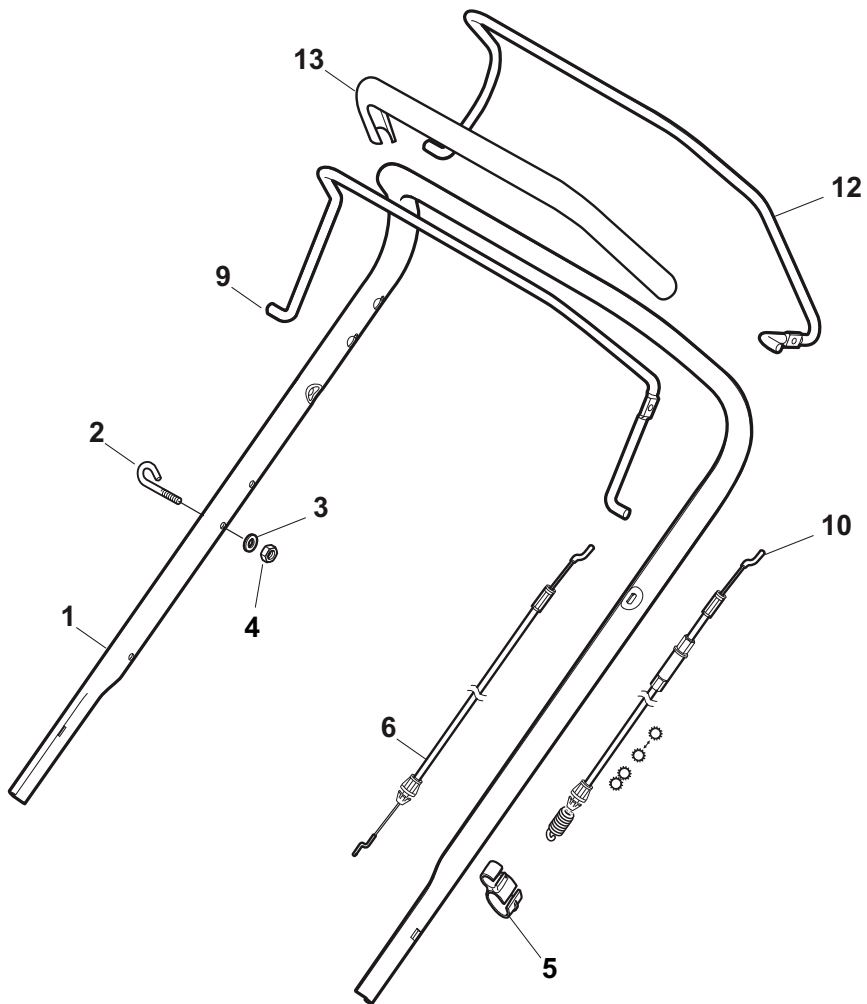
| POS | PART. NO | Q.ty | DESCRIPTION | DESCRIZIONE | DESCRIPTION | BESCHREIBUNG | REMARKS |
|-----|-------------|------|--------------------|-------------------|------------------------|--------------------|---------|
| 1 | 381007043/0 | 1 | Handle, Lower Part | Manico, Parte Inf | Mancheron, Partie Inf. | Holm, Unterteil | |
| 2 | 381005133/0 | 1 | Bracket, L | Staffa Sx | Bride G | Pratze, Linke | |
| 3 | 381005135/0 | 1 | Bracket, L | Staffa Sx | Bride G | Pratze, Linke | |
| 4 | 12819120/0 | 4 | Screw | Vite | Vis | Schraube | |
| 5 | 22680006/1 | 4 | Washer | Rosetta | Rondelle | Scheibe | |
| 6 | 322399804/1 | 4 | Knob | Manopolina | Poignée | Griff | |
| 7 | 12293200/0 | 4 | Nut | Dado | Ecrou | Mutter | |
| 10 | 12760605/0 | 3 | Screw | Vite | Vis | Schraube | |
| 11 | 25038002/1 | 2 | Bush | Bussola | Douille | Buchse | |
| 12 | 12155000/0 | 2 | Nut | Dado | Ecrou | Mutter | |
| 13 | 322192156/0 | 1 | Fair Led | Fascetta | Fixation De Cable | Kabelbefestigung | |
| 14 | 12523040/0 | 1 | Washer | Rosetta | Rondelle | Scheibe | |
| 15 | 12154510/0 | 1 | Nut | Dado | Ecrou | Mutter | |
| 16 | 12369500/0 | 2 | Elastic Washer | Rosetta Elastica | Rondelle Elastique | Elastische Scheibe | |
| 17 | 381008686/0 | 1 | Outfit, Screws | Dotazione Viteria | Dotation Visserie | Satz, Schrauben | |



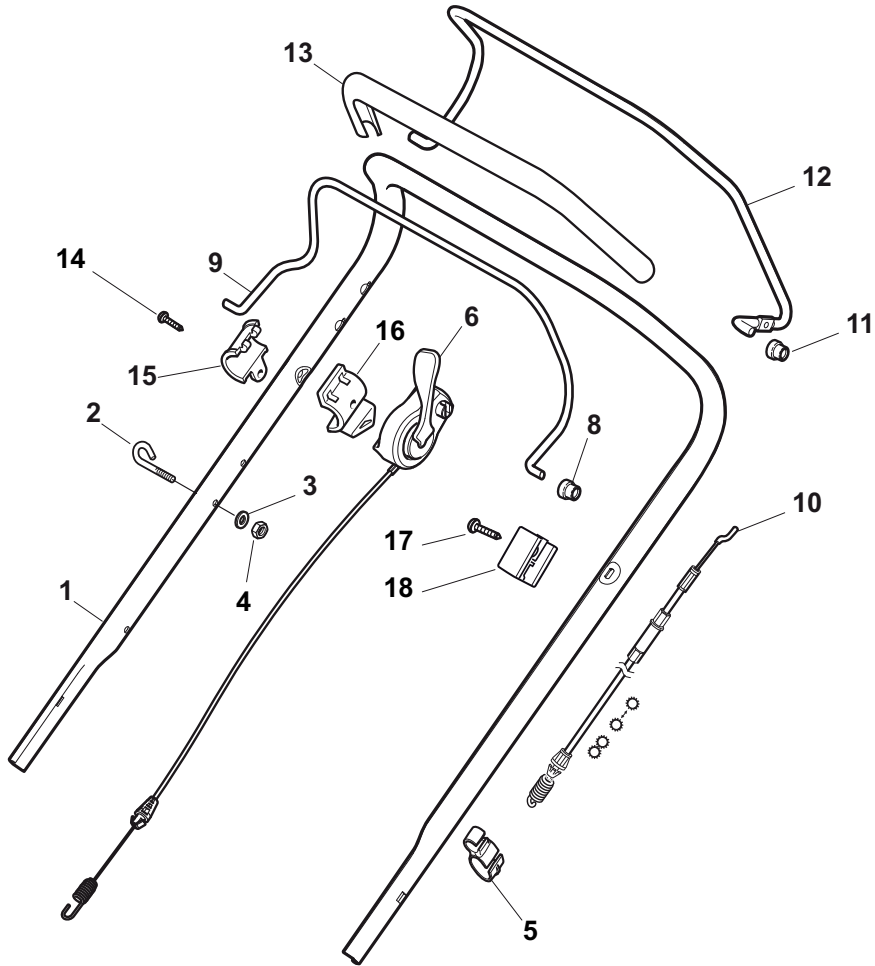
| POS | PART. NO | Q.ty | DESCRIPTION | DESCRIZIONE | DESCRIPTION | BESCHREIBUNG | REMARKS |
|-----|-------------|------|----------------------------|-----------------------|------------------------------|--------------------|---------------|
| 1 | 81006979/2 | 1 | Handle, Upper Part | Manico, Parte Sup | Mancheron, Partie Superieure | Holm, Oberteil | Black |
| 1 | 381006867/0 | 1 | Handle, Upper Part | Manico, Parte Sup | Mancheron, Partie Superieure | Holm, Oberteil | Grey |
| 2 | 12727787/0 | 1 | Screw | Vite | Vis | Schraube | |
| 3 | 22551640/0 | 1 | Plate | Piastrina | Plaquette | Plättchen | |
| 4 | 381030055/0 | 1 | Cable, Rear Drive | Cavo Comando Trazione | Câble, Comm. Traction | Kabel, Antrieb | |
| 5 | 181030056/0 | 1 | Cable, Thread Engine Brake | Cavo Freno Motore | Cable Frein Moteur | Kabel, Motorbremse | B&S-GGP-Honda |
| 5 | 181030057/0 | 1 | Cable, Thread Engine Brake | Cavo Freno Motore | Cable Frein Moteur | Kabel, Motorbremse | GGP150cc |
| 6 | 12154510/0 | 1 | Nut | Dado | Ecrou | Mutter | |
| 7 | 12154510/0 | 1 | Nut | Dado | Ecrou | Mutter | |
| 8 | 12521330/0 | 1 | Washer | Rosetta | Rondelle | Scheibe | |
| 9 | 22430313/0 | 1 | Guide Spring | Molla Guida | Ressort De Guide | Feder Führer | |
| 10 | 381003330/0 | 1 | Lever, Engine Brake | Leva Freno Motore | Levier Frein Moteur | Hebel, Motorbremse | |
| 11 | 81003297/1 | 1 | Driving Lever | Leva Trazione | Levier Traction | Antriebhebel | |
| 12 | 12000930/0 | 1 | Snap Ring | Anello Elastico | Anneau Ressort | Sprengring | |



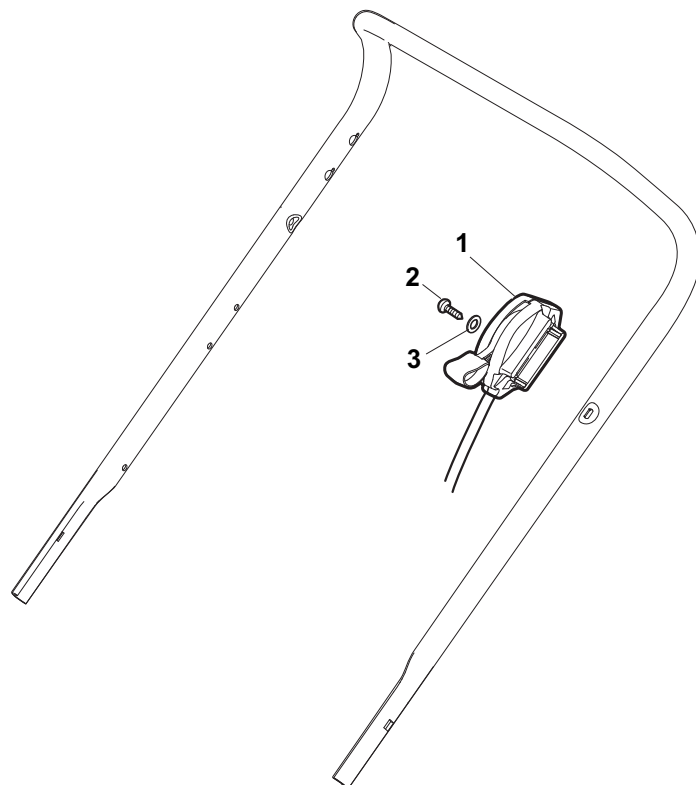
| POS | PART. NO | Q.ty | DESCRIPTION | DESCRIZIONE | DESCRIPTION | BESCHREIBUNG | REMARKS |
|-----|-------------|------|---|--|--|----------------------------------|--------------|
| 1 | 381007522/0 | 1 | Handle, Upper Part | Manico, Parte Sup | Mancheron, Partie Superieure | Holm, Oberteil | Black |
| 1 | 381006839/0 | 1 | Handle, Upper Part with sponge handgrip | Manico, Parte Sup. con impugnatura in spugna | Mancheron, Partie Superieure avec éponge poignée | Holm, Oberteil Handgriff Schwamm | Grey |
| 1 | 381007525/0 | 1 | Handle, Upper Part | Manico, Parte Sup. con impugnatura in spugna | Mancheron, Partie Superieure avec éponge poignée | Holm, Oberteil Handgriff Schwamm | Black |
| 2 | 22430313/0 | 1 | Guide Spring | Molla Guida | Ressort De Guide | Feder Führer | |
| 3 | 12521330/0 | 1 | Washer | Rosetta | Rondelle | Scheibe | |
| 4 | 12154510/0 | 1 | Nut | Dado | Ecrou | Mutter | |
| 5 | 118390020/0 | 1 | Fairlead | Fermacavo | Fixation Cable | Kabelbefestigung | |
| 6 | 181030053/0 | 1 | Cable, Thread Engine Brake | Cavo Freno Motore | Cable Frein Moteur | Kabel, Motorbremse | GGP-B&S |
| 6 | 181030054/0 | 1 | Cable, Thread Engine Brake | Cavo Freno Motore | Cable Frein Moteur | Kabel, Motorbremse | GGP150cc |
| 6 | 181030056/0 | 1 | Cable, Thread Engine Brake | Cavo Freno Motore | Cable Frein Moteur | Kabel, Motorbremse | B&S E Series |
| 6 | 181030070/0 | 1 | Cable, Thread Engine Brake | Cavo Freno Motore | Cable Frein Moteur | Kabel, Motorbremse | Honda |
| 7 | 322545204/0 | 1 | Fulcrum Pin | Fulcro | Point D'Appui | Gelenkpunkt | |
| 8 | 22041966/0 | 1 | Bush | Bussola | Douille | Buchse | |
| 9 | 181003300/1 | 1 | Lever, Engine Brake | Leva Freno Motore | Levier Frein Moteur | Hebel, Motorbremse | |
| 10 | 381030051/0 | 1 | Cable, Rear Drive | Cavo Comando Trazione | Câble, Commande Traction | Kabel, Antrieb | |
| 11 | 22041966/0 | 1 | Bush | Bussola | Douille | Buchse | |
| 12 | 181003301/0 | 1 | Lever, Driving | Leva Trazione | Levier Traction | Hebel, Antrieb | |
| 13 | 22291050/0 | 1 | Handgrip Black | Impugnatura Manico Nera | Poignée Noire | Handgriff Schwarz | |



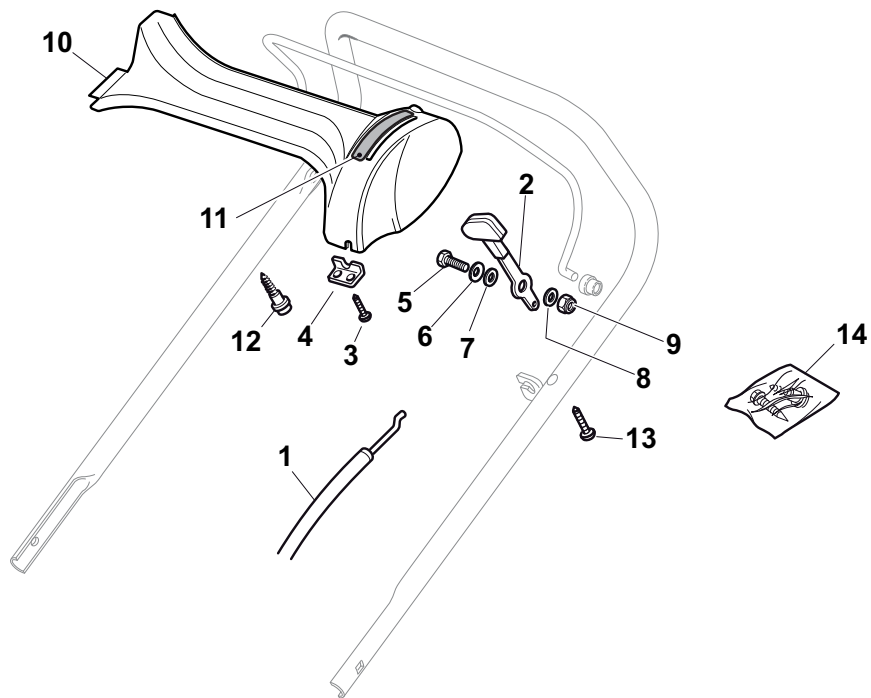
| POS | PART. NO | Q.ty | DESCRIPTION | DESCRIZIONE | DESCRIPTION | BESCHREIBUNG | REMARKS |
|-----|-------------|------|----------------------------|-------------------------|------------------------------|-----------------------------|--------------|
| 1 | 381007520/0 | 1 | Handle, Upper Part | Manico, Parte Sup | Mancheron, Partie Superieure | Holm, Oberteil | |
| 2 | 22430313/0 | 1 | Guide Spring | Molla Guida | Ressort De Guide | Feder Führer | |
| 3 | 12521330/0 | 1 | Washer | Rosetta | Rondelle | Scheibe | |
| 4 | 12154510/0 | 1 | Nut | Dado | Ecrou | Mutter | |
| 5 | 118390020/0 | 1 | Fairlead | Fermacavo | Fixation Cable | Kabelbefestigung | |
| 6 | 181030053/0 | 1 | Cable, Thread Engine Brake | Cavo Freno Motore | Cable Frein Moteur | Kabel, Motorbremse | GGP-B&S |
| 6 | 181030054/0 | 1 | Cable, Thread Engine Brake | Cavo Freno Motore | Cable Frein Moteur | Kabel, Motorbremse | GGP150cc |
| 6 | 181030056/0 | 1 | Cable, Thread Engine Brake | Cavo Freno Motore | Cable Frein Moteur | Kabel, Motorbremse | B&S E Series |
| 6 | 181030070/0 | 1 | Cable, Thread Engine Brake | Cavo Freno Motore | Cable Frein Moteur | Kabel, Motorbremse | Honda |
| 9 | 181003363/1 | 1 | Lever, Engine Brake Black | Leva Freno Motore Nero | Levier Frein Moteur Noire | Hebel, Motorbremse, Schwarz | |
| 10 | 381030051/0 | 1 | Cable, Rear Drive | Cavo Comando Trazione | Câble, Commande Traction | Kabel, Antrieb | |
| 12 | 181003364/0 | 1 | Lever, Driving Black | Leva Trazione Nero | Levier Traction Noire | Hebel, Antrieb Schwarz | |
| 13 | 22291050/0 | 1 | Handgrip Black | Impugnatura Manico Nera | Poignée Noire | Handgriff Schwarz | |



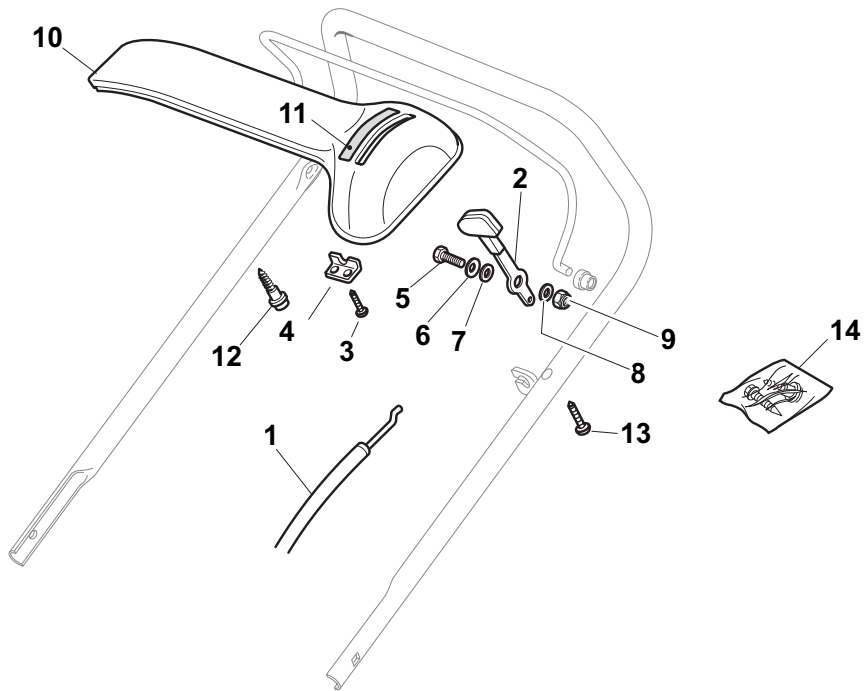
| POS | PART. NO | Q.ty | DESCRIPTION | DESCRIZIONE | DESCRIPTION | BESCHREIBUNG | REMARKS |
|-----|-------------|------|--------------------------|---------------------------------|------------------------------------|-----------------------------|---------|
| 1 | 381006836/0 | 1 | Handle, Upper Part | Manico, Parte Sup | Mancheron, Partie Superieure | Holm, Oberteil | |
| 2 | 22430313/0 | 1 | Guide Spring | Molla Guida | Ressort De Guide | Feder Führer | |
| 3 | 12521330/0 | 1 | Washer | Rosetta | Rondelle | Scheibe | |
| 4 | 12154510/0 | 1 | Nut | Dado | Ecrou | Mutter | |
| 5 | 118390020/0 | 1 | Fairlead | Fermacavo | Fixation Cable | Kabelbefestigung | |
| 6 | 381030060/0 | 1 | Cable, Mechanical Clutch | Cavo Comando Frizione Meccanica | Câble, Commande Embayage Mecanique | Kabel, Mechanische Kupplung | |
| 8 | 22041966/0 | 2 | Bush | Bussola | Douille | Buchse | |
| 9 | 181003332/1 | 1 | Lever, Engine Brake | Leva Freno Motore | Levier Frein Moteur | Hebel, Motorbremse | |
| 10 | 381030051/0 | 1 | Cable, Rear Drive | Cavo Comando Trazione | Câble, Commande Traction | Kabel, Antrieb | |
| 11 | 22041966/0 | 2 | Bush | Bussola | Douille | Buchse | |
| 12 | 181003301/0 | 1 | Lever, Driving | Leva Trazione | Levier Traction | Hebel, Antrieb | |
| 13 | 22291050/0 | 1 | Handgrip Black | Impugnatura Manico Nera | Poignée Noire | Handgriff Schwarz | |
| 14 | 12728688/0 | 1 | Screw | Vite | Vis | Schraube | |
| 15 | 322545207/1 | 1 | R Protection | Protezione Dx | Protection D | Rechte Schutz | |
| 16 | 322545208/1 | 1 | L Protection | Protezione Sx | Protection G | Linke Schutz | |
| 17 | 22551640/0 | 1 | Plate | Piastrina | Plaquette | Plättchen | |
| 18 | 112727783/0 | 1 | Screw | Vite | Vis | Schraube | |



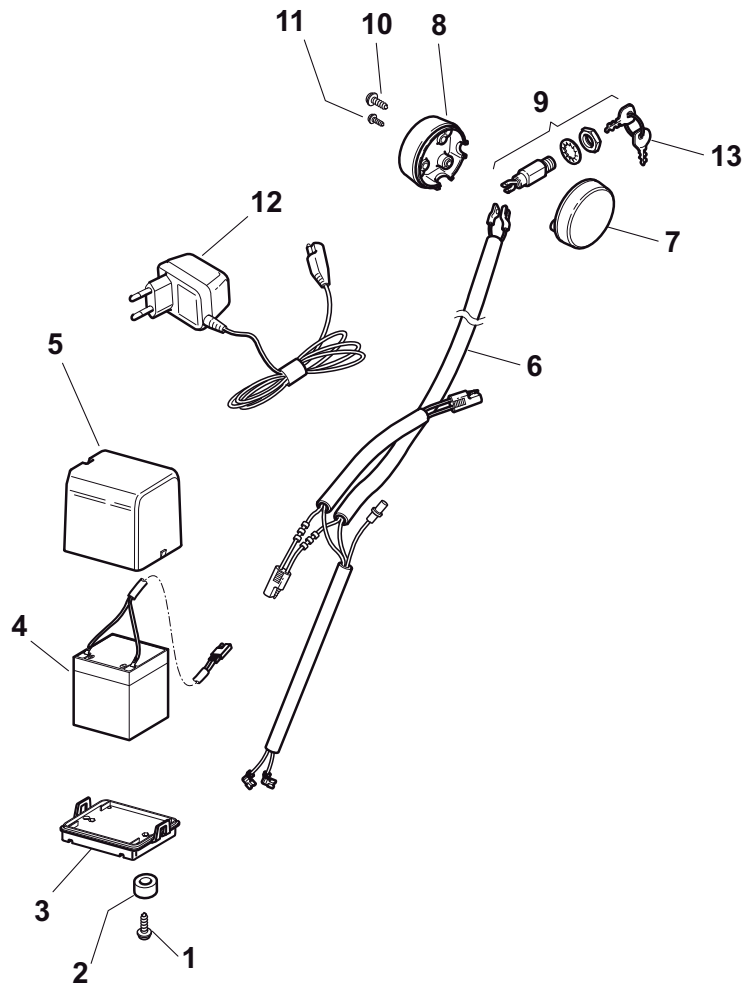
| POS | PART. NO | Q.ty | DESCRIPTION | DESCRIZIONE | DESCRIPTION | BESCHREIBUNG | REMARKS |
|-----|-------------|------|----------------|-------------------|---------------------|----------------|--------------|
| 1 | 181005501/1 | 1 | Throttle Cable | Cavo Acceleratore | Cable, Accelérateur | Gashebel Kabel | GGP |
| 1 | 181005501/1 | 1 | Throttle Cable | Cavo Acceleratore | Cable, Accelérateur | Gashebel Kabel | Honda |
| 1 | 181005502/1 | 1 | Throttle Cable | Cavo Acceleratore | Cable, Accelérateur | Gashebel Kabel | B&S |
| 1 | 181005503/1 | 1 | Throttle Cable | Cavo Acceleratore | Cable, Accelérateur | Gashebel Kabel | Honda AC |
| 1 | 181005504/1 | 1 | Throttle Cable | Cavo Acceleratore | Cable, Accelérateur | Gashebel Kabel | GGP 150cc |
| 1 | 181005525/0 | 1 | Throttle Cable | Cavo Acceleratore | Cable, Accelérateur | Gashebel Kabel | B&S E Series |
| 1 | 181005537/0 | 1 | Throttle Cable | Cavo Acceleratore | Cable, Accelérateur | Gashebel Kabel | GGP 100cc |
| 2 | 12735103/0 | 1 | Screw | Vite | Vis | Schraube | |
| 3 | 12523040/0 | 1 | Washer | Rosetta | Rondelle | Scheibe | |



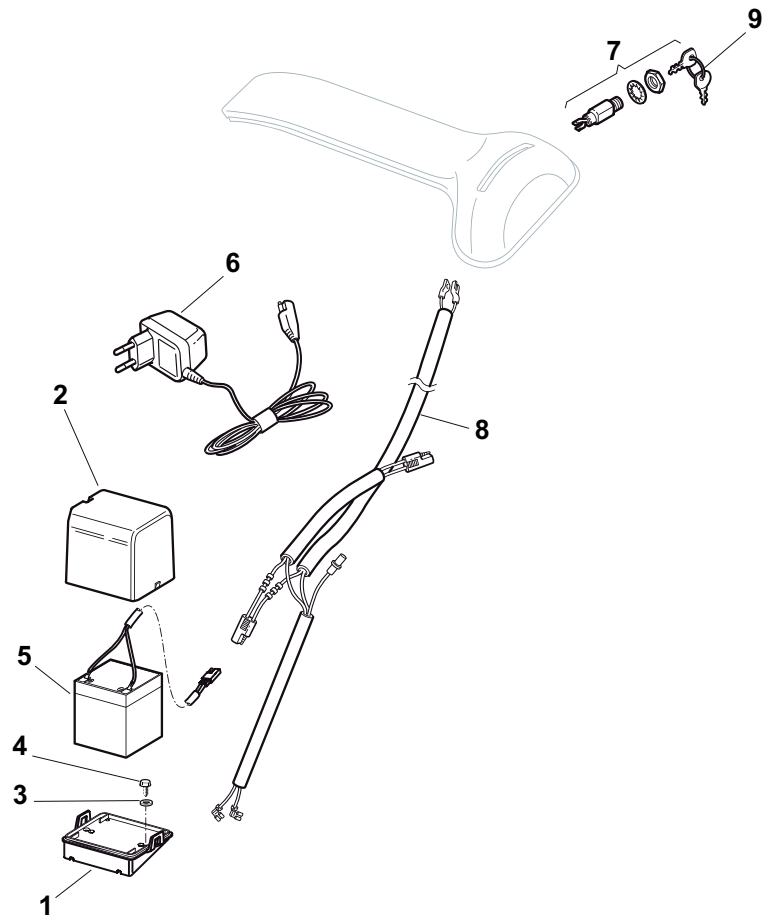
| POS | PART. NO | Q.ty | DESCRIPTION | DESCRIZIONE | DESCRIPTION | BESCHREIBUNG | REMARKS |
|-----|-------------|------|------------------------------|--------------------------------|------------------------------|----------------------------|---------------------------|
| 1 | 81007160/0 | 1 | Throttle Cable | Cavo Acceleratore | Cable, Accelérateur | Gashebel Kabel | |
| 2 | 81007280/2 | 1 | Lever, Throttle | Leva, Acceleratore | Levier, | Hebel, Beshleuniger | B&S-GGP-Honda |
| 2 | 81007221/0 | 1 | Lever, Throttle | Leva, Acceleratore | Levier, | Hebel, Beshleuniger | GGP 150cc - B&S450-500 |
| 3 | 12735105/0 | 2 | Screw | Vite | Vis | Schraube | |
| 4 | 22981467/0 | 1 | Plate | Piastrina | Plaquette | Platte | |
| 5 | 12791500/0 | 1 | Screw | Vite | Vis | Schraube | |
| 6 | 12530060/0 | 1 | Elastic Washer | Rosetta Elastica | Rondelle Elastique | Elastische Scheibe | |
| 7 | 12523040/0 | 1 | Washer | Rosetta | Rondelle | Scheibe | |
| 8 | 12523040/0 | 1 | Washer | Rosetta | Rondelle | Scheibe | |
| 9 | 12154510/0 | 1 | Nut | Dado | Ecrou | Mutter | |
| 10 | 322120189/0 | 1 | Dash Board Red | Cruscotto Rosso | Console Rouge | Konsole Rote | |
| 11 | 114356744/1 | 1 | Label | Etichetta | Etiquette | Etikette | B&S |
| 11 | 114356906/1 | 1 | Label | Etichetta | Etiquette | Etikette | B&S DOV |
| 11 | 114356743/1 | 1 | Label | Etichetta | Etiquette | Etikette | GGP |
| 11 | 114356743/1 | 1 | Label | Etichetta | Etiquette | Etikette | Honda |
| 11 | 114357646/1 | 1 | Label | Etichetta | Etiquette | Etikette | Honda AC |
| 12 | 22943006/0 | 1 | Screw | Vite | Vis | Schraube | |
| 13 | 12728460/0 | 1 | Screw | Vite | Vis | Schraube | |
| 14 | 81008609/0 | 1 | Outfit, Dash-Board Screws | Dotazione Viteria Cruscotto | Dotation Visserie Console | Satz, Konsole Schrauben | |



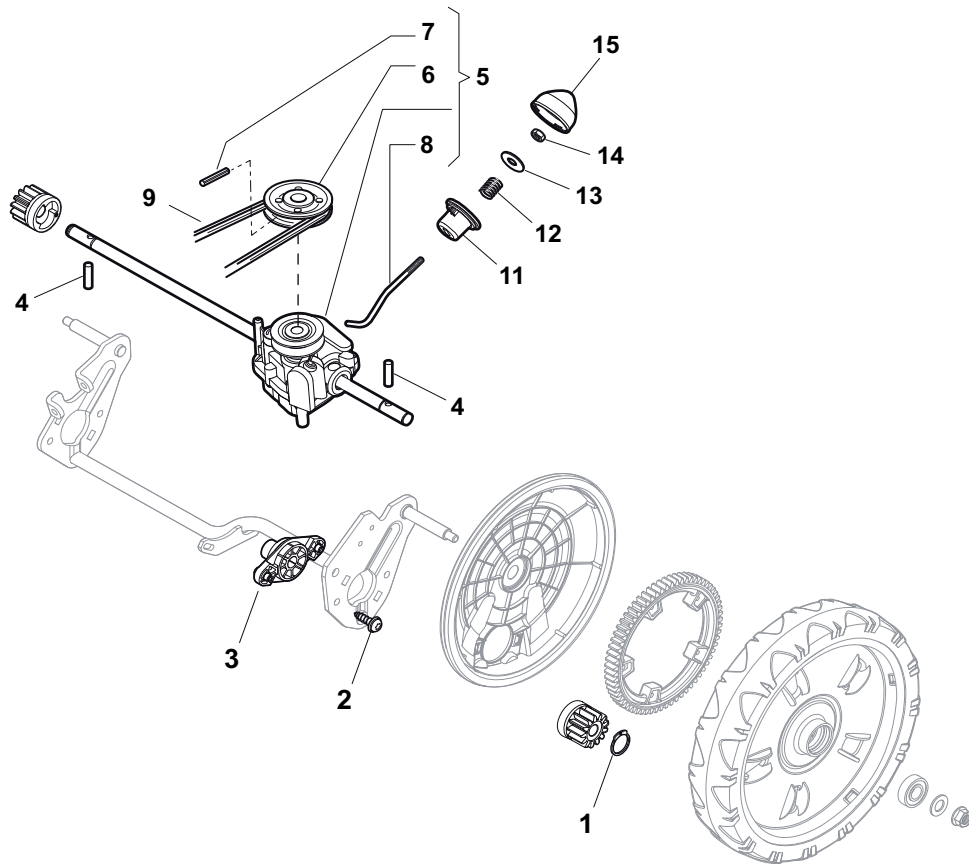
| POS | PART. NO | Q.ty | DESCRIPTION | DESCRIZIONE | DESCRIPTION | BESCHREIBUNG | REMARKS |
|-----|-------------|------|------------------------------|--------------------------------|------------------------------|----------------------------|---------------------------|
| 1 | 81007160/0 | 1 | Throttle Cable | Cavo Acceleratore | Cable, Accelérateur | Gashebel Kabel | |
| 2 | 81007280/2 | 1 | Lever, Throttle | Leva, Acceleratore | Levier, | Hebel, Beshleuniger | B&S-GGP-Honda |
| 2 | 81007221/0 | 1 | Lever, Throttle | Leva, Acceleratore | Levier, | Hebel, Beshleuniger | GGP 150cc - B&S450-500 |
| 3 | 12735105/0 | 2 | Screw | Vite | Vis | Schraube | |
| 4 | 22981467/0 | 1 | Plate | Piastrina | Plaquette | Platte | |
| 5 | 12791500/0 | 1 | Screw | Vite | Vis | Schraube | |
| 6 | 12530060/0 | 1 | Elastic Washer | Rosetta Elastica | Rondelle Elastique | Elastische Scheibe | |
| 7 | 12523040/0 | 1 | Washer | Rosetta | Rondelle | Scheibe | |
| 8 | 12523040/0 | 1 | Washer | Rosetta | Rondelle | Scheibe | |
| 9 | 12154510/0 | 1 | Nut | Dado | Ecrou | Mutter | |
| 10 | 22120152/0 | 1 | Dash Board Yellow | Cruscotto Giallo | Console Jaune | Konsole Gelbe | |
| 10 | 22120154/0 | 1 | Dash Board Red | Cruscotto Rosso | Console Rouge | Konsole Rote | |
| 10 | 22120158/0 | 1 | Dash Board Black | Cruscotto Nero | Console Noire | Konsole Schwarze | |
| 11 | 114356744/1 | 1 | Label | Etichetta | Etiquette | Etikette | B&S |
| 11 | 114356906/1 | 1 | Label | Etichetta | Etiquette | Etikette | B&S DOV |
| 11 | 114356743/1 | 1 | Label | Etichetta | Etiquette | Etikette | GGP |
| 11 | 114356743/1 | 1 | Label | Etichetta | Etiquette | Etikette | Honda |
| 11 | 114357646/1 | 1 | Label | Etichetta | Etiquette | Etikette | Honda AC |
| 12 | 22943006/0 | 1 | Screw | Vite | Vis | Schraube | |
| 13 | 12728460/0 | 1 | Screw | Vite | Vis | Schraube | |
| 14 | 81008609/0 | 1 | Outfit, Dash-Board Screws | Dotazione Viteria Cruscotto | Dotation Visserie Console | Satz, Konsole Schrauben | |



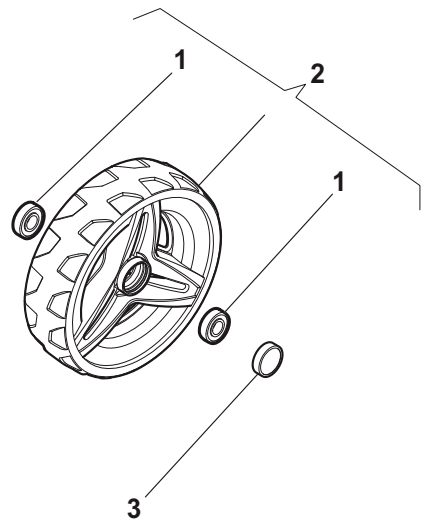
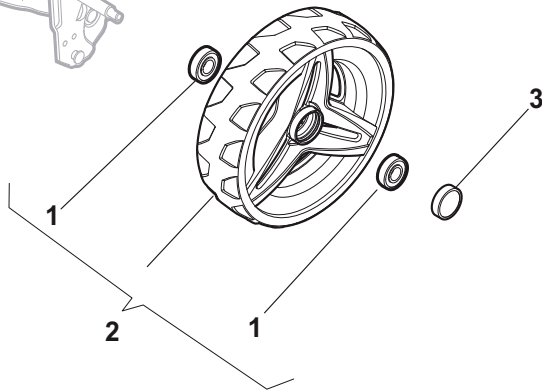
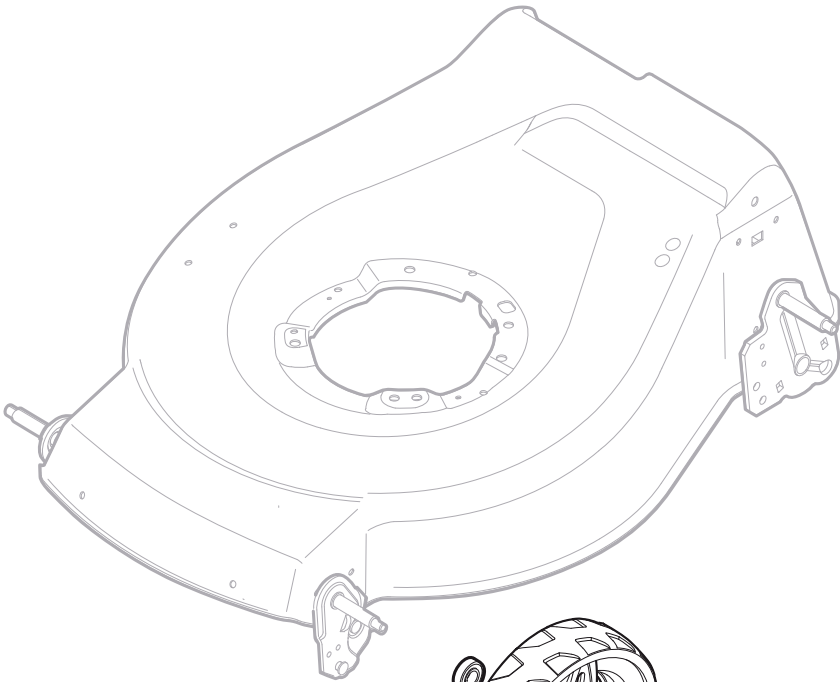
| POS | PART. NO | Q.ty | DESCRIPTION | DESCRIZIONE | DESCRIPTION | BESCHREIBUNG | REMARKS |
|-----|-------------|------|------------------|-------------------|------------------|---------------------|-----------|
| 1 | 12731590/0 | 2 | Screw | Vite | Vis | Schraube | |
| 2 | 25160012/0 | 2 | Washer | Rosetta | Rondelle | Scheibe | |
| 3 | 22785123/0 | 1 | Support, Battery | Supporto Batteria | Support Batterie | Halter, Batterie | |
| 4 | 18120052/0 | 1 | Battery | Batteria | Batterie | Batterie | |
| 5 | 22109530/0 | 1 | Cover | Coperchio | Couvercle | Deckel | |
| 6 | 118204192/3 | 1 | Cable, Start | Cavo Avviamento | Cable Démarrage | Kabel, Start | B&S - GGP |
| 6 | 18204198/0 | 1 | Cable, Start | Cavo Avviamento | Cable Démarrage | Kabel, Start | Honda |
| 7 | 22722801/0 | 1 | L Protection | Protezione Dx | Protection G | Linke Schutz | |
| 8 | 22722800/0 | 1 | R Protection | Protezione Sx | Protection D | Rechte Schutz | |
| 9 | 18450050/0 | 1 | Switch | Interruttore | Interrupteur | Schalter | |
| 10 | 12728702/0 | 2 | Screw | Vite | Vis | Schraube | |
| 11 | 12728691/0 | 1 | Screw | Vite | Vis | Schraube | |
| 12 | 18204120/0 | 1 | Battery Charger | Carica Batteria | Chargeur De | Ladgerät | (CE) |
| 12 | 18204121/0 | 1 | Battery Charger | Carica Batteria | Chargeur De | Ladgerät | (UK) |
| 13 | 18210016/1 | 1 | Starting Key | Chiave Avviamento | Clef A Demarrage | Schlüssel Für Start | |



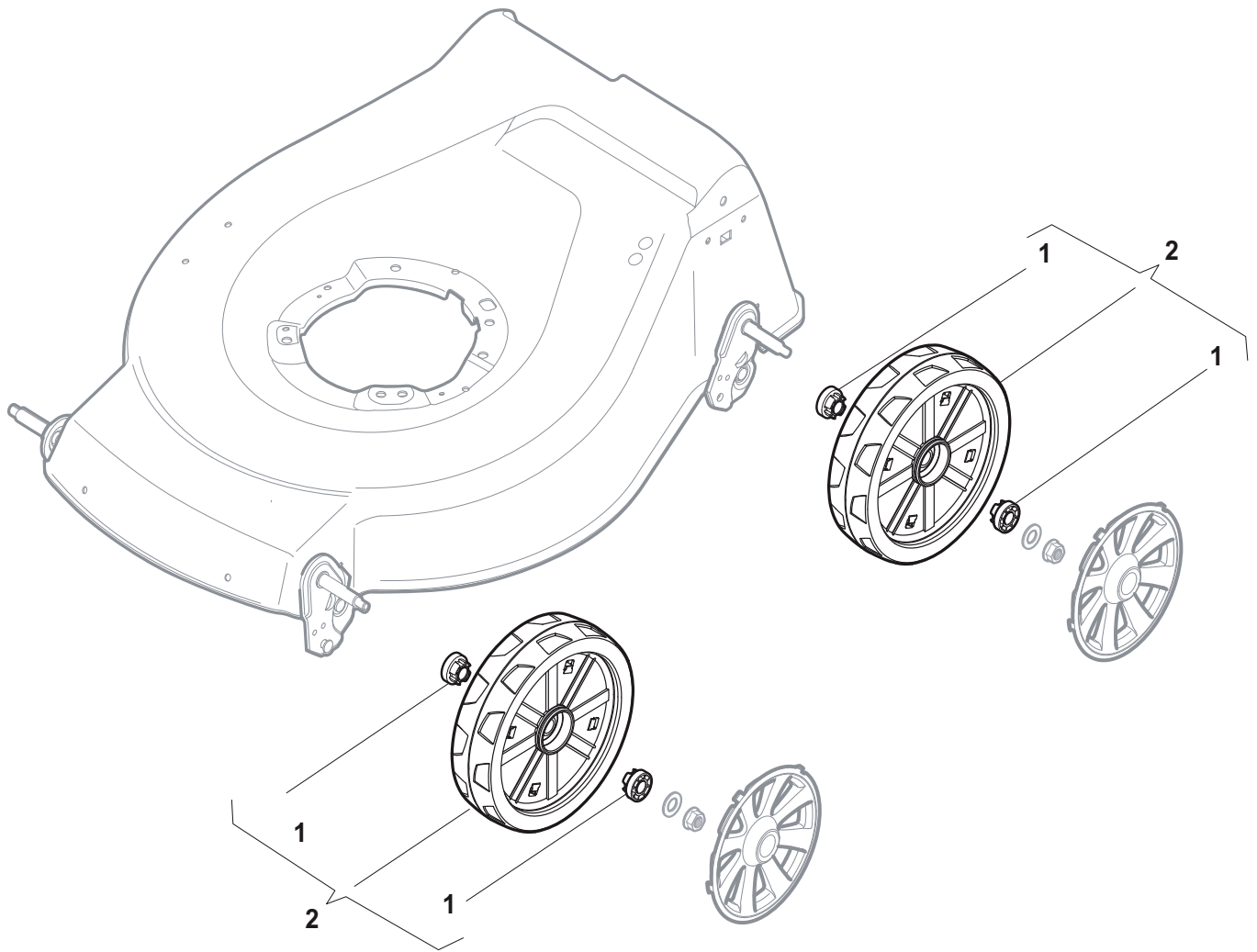
| POS | PART. NO | Q.ty | DESCRIPTION | DESCRIZIONE | DESCRIPTION | BESCHREIBUNG | REMARKS |
|-----|-------------|------|------------------|-------------------|------------------|---------------------|-----------|
| 1 | 22785122/0 | 1 | Support, Battery | Supporto Batteria | Support Batterie | Halter, Batterie | |
| 2 | 22109530/0 | 1 | Cover | Coperchio | Couvercle | Deckel | |
| 3 | 12521310/0 | 2 | Washer | Rosetta | Rondelle | Scheibe | |
| 4 | 12731590/0 | 2 | Screw | Vite | Vis | Schraube | |
| 5 | 18120052/0 | 1 | Battery | Batteria | Batterie | Batterie | |
| 6 | 18204120/0 | 1 | Battery Charger | Carica Batteria | Chargeur De | Ladgerät | (CE) |
| 6 | 18204121/0 | 1 | Battery Charger | Carica Batteria | Chargeur De | Ladgerät | (UK) |
| 7 | 18450050/0 | 1 | Switch | Interruttore | Interrupteur | Schalter | |
| 8 | 118204192/3 | 1 | Cable, Start | Cavo Avviamento | Cable Démarrage | Kabel, Start | B&S - GGP |
| 8 | 18204198/0 | 1 | Cable, Start | Cavo Avviamento | Cable Démarrage | Kabel, Start | Honda |
| 9 | 18210016/1 | 1 | Starting Key | Chiave Avviamento | Clef A Demarrage | Schlüssel Für Start | |



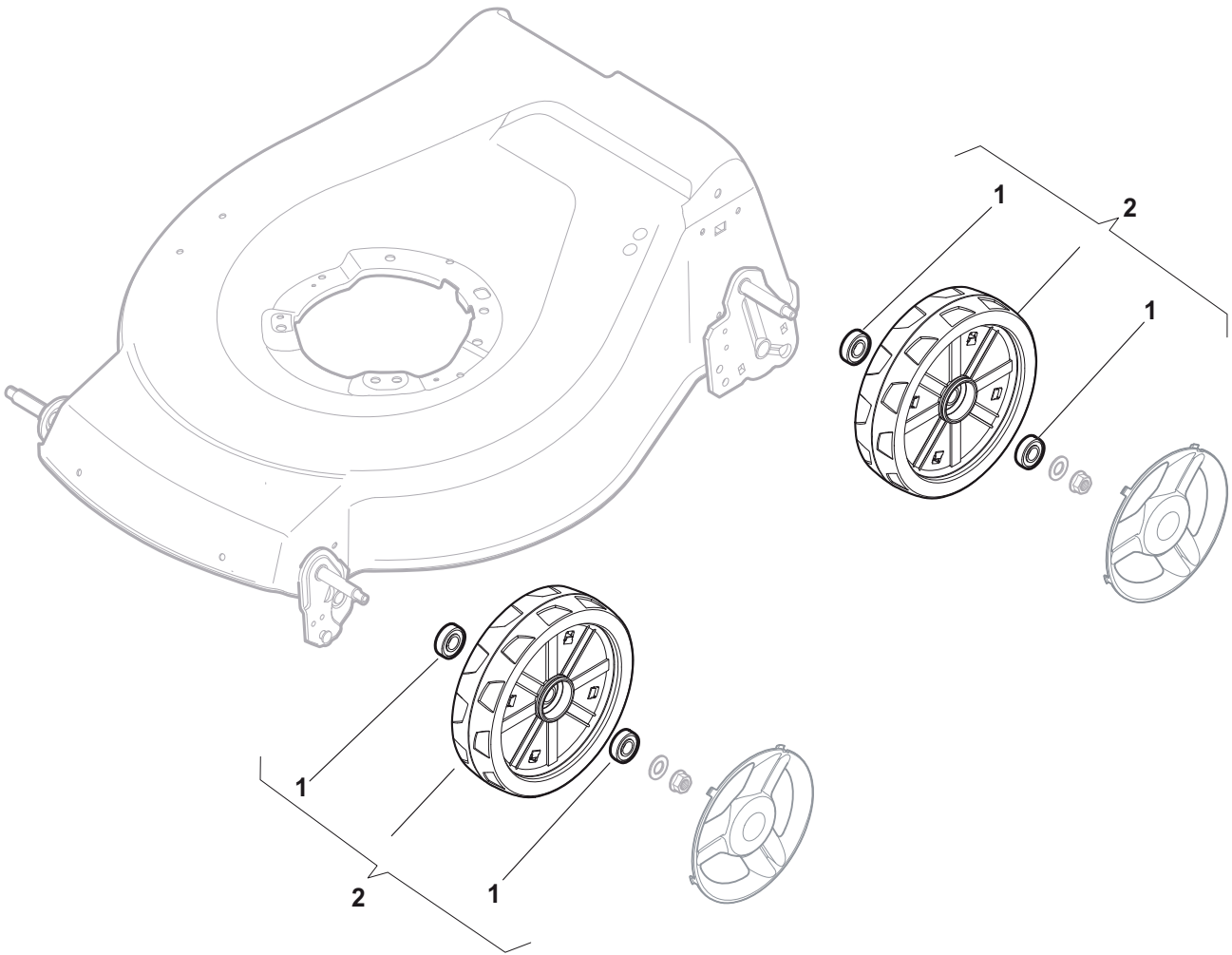
| POS | PART. NO | Q.ty | DESCRIPTION | DESCRIZIONE | DESCRIPTION | BESCHREIBUNG | REMARKS |
|-----|-------------|------|----------------|------------------|-----------------|-------------------|---------|
| 1 | 12608600/0 | 2 | Seeger | Seeger | Seeger | Seeger | |
| 2 | 112728697/0 | 4 | Screw | Vite | Vis | Schraube | |
| 3 | 322042063/0 | 2 | Bush | Bussola | Douille | Buchse | |
| 4 | 22753000/0 | 2 | Pin | Spina | Goupille | Stift | |
| 5 | 81003092/0 | 1 | Gear Box | Gruppo Trazione | Groupe Traction | Antrieb | |
| 6 | 22601909/0 | 1 | Pulley | Puleggia | Poulie | Riemenscheibe | |
| 7 | 12645700/0 | 1 | Pin | Spina | Goupille | Stift | |
| 8 | 22033283/0 | 1 | Adjustment Rod | Asta Regolazione | Tige Reglage | Verstellungstange | |
| 9 | 35063800/0 | 1 | Belt | Cinghia | Courroie | Riemen | |
| 11 | 22041957/1 | 1 | Bush | Bussola | Douille | Buchse | |
| 12 | 22450063/0 | 1 | Spring | Molla | Ressort | Feder | |
| 13 | 22680009/0 | 1 | Washer | Rosetta | Rondelle | Scheibe | |
| 14 | 12154510/0 | 1 | Nut | Dado | Ecrou | Mutter | |
| 15 | 22110230/0 | 1 | Cap | Tappo | Bouchon | Gummistopfen | |



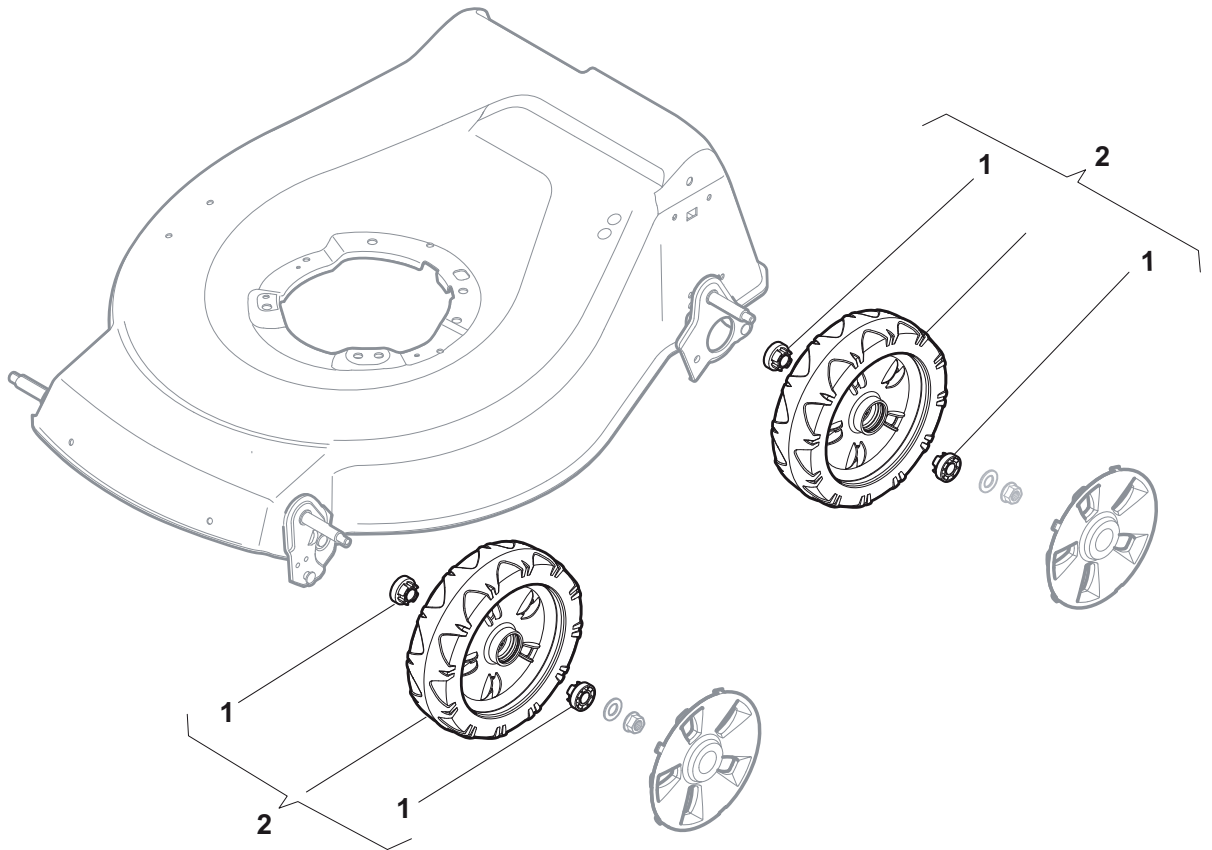
| POS | PART. NO | Q.ty | DESCRIPTION | DESCRIZIONE | DESCRIPTION | BESCHREIBUNG | REMARKS |
|-----|-------------|------|--------------|-------------------|--------------|--------------|---------|
| 1 | 119216035/0 | 8 | Bearing | Cuscinetto | Coussinet | Lager | |
| 2 | 381007477/0 | 4 | Wheel Ø 200 | Ruota Ø 200 | Roue Ø 200 | Rad Ø 200 | |
| 3 | 322110640/0 | 4 | Hub Cap Grey | Coprimozzo Grigio | Couvre-Moyeu | Radkappe | |



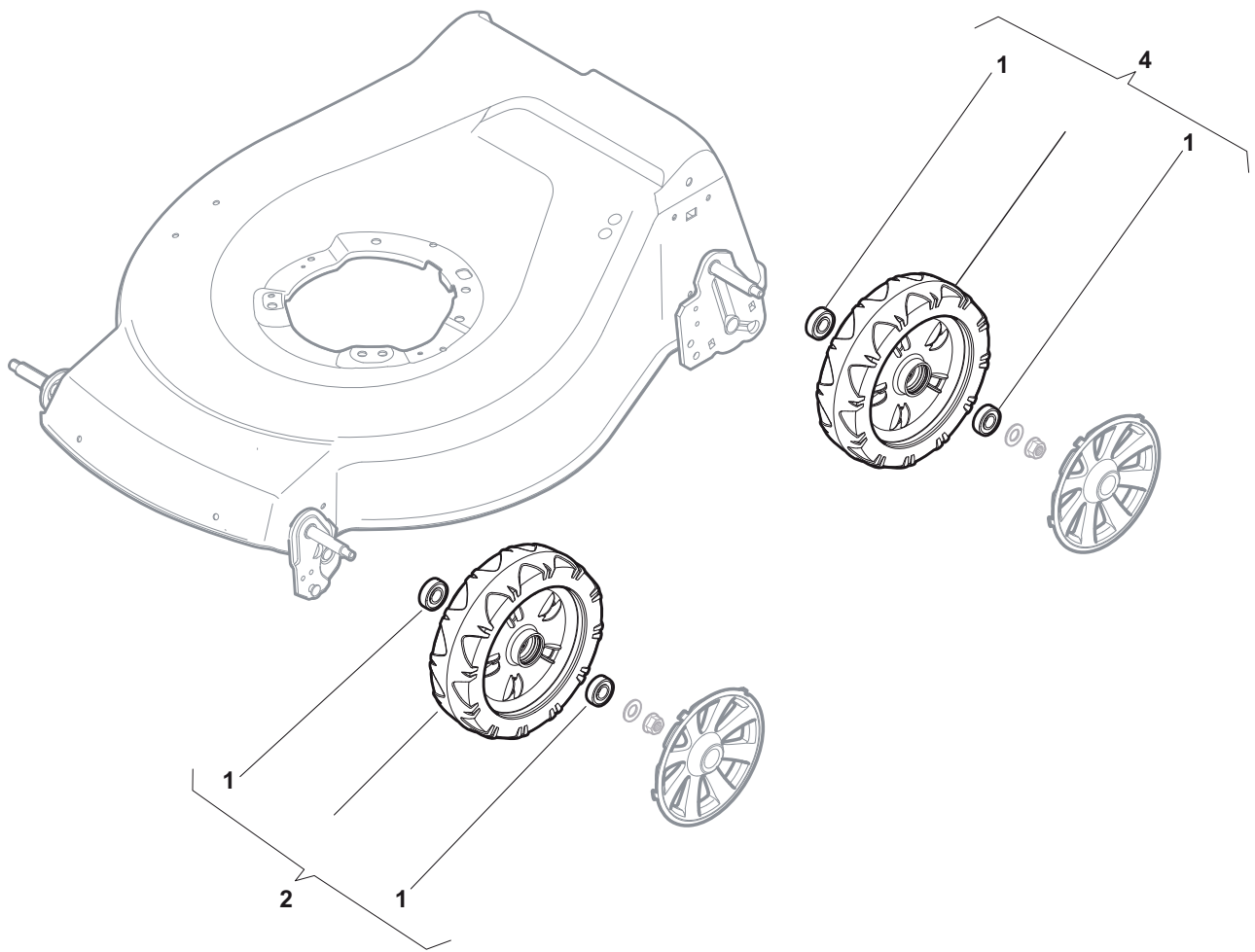
| POS | PART. NO | Q.ty | DESCRIPTION | DESCRIZIONE | DESCRIPTION | BESCHREIBUNG | REMARKS |
|-----|-------------|------|-------------|-------------|-------------|--------------|---------|
| 1 | 322042063/0 | 8 | Bush | Bussola | Douille | Buchse | |
| 2 | 381007481/0 | 4 | Wheel Ø 200 | Ruota Ø 200 | Roue Ø 200 | Rad Ø 200 | |



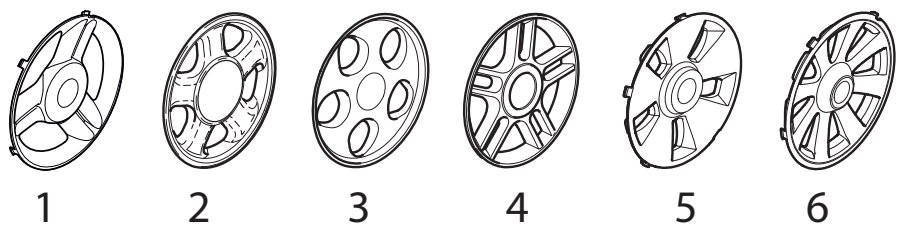
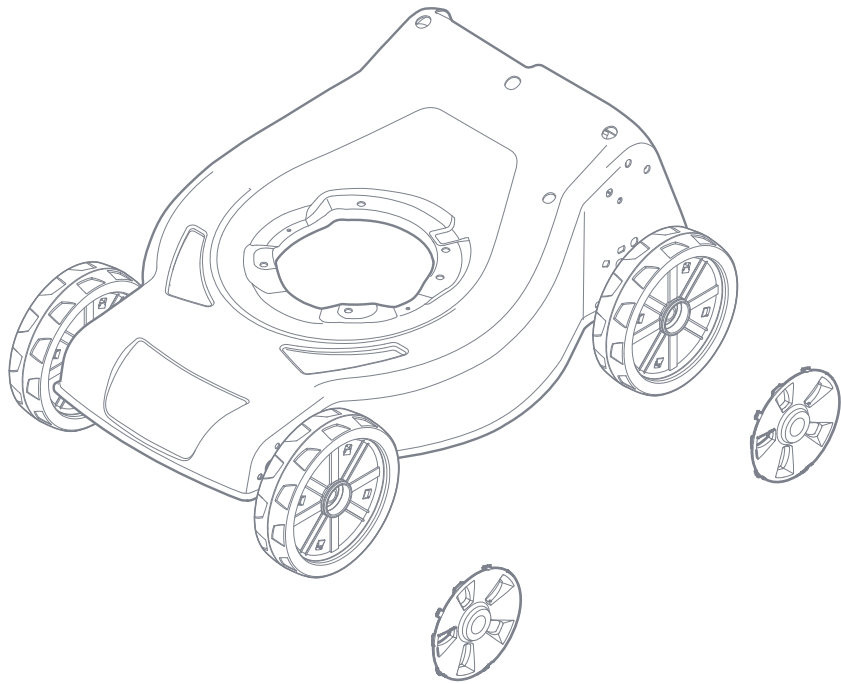
| POS | PART. NO | Q.ty | DESCRIPTION | DESCRIZIONE | DESCRIPTION | BESCHREIBUNG | REMARKS |
|-----|-------------|------|-------------|-------------|-------------|--------------|---------|
| 1 | 119216035/0 | 4 | Bearing | Cuscinetto | Coussinet | Lager | |
| 2 | 381007483/0 | 4 | Wheel Ø 200 | Ruota Ø 200 | Roue Ø 200 | Rad Ø 200 | |



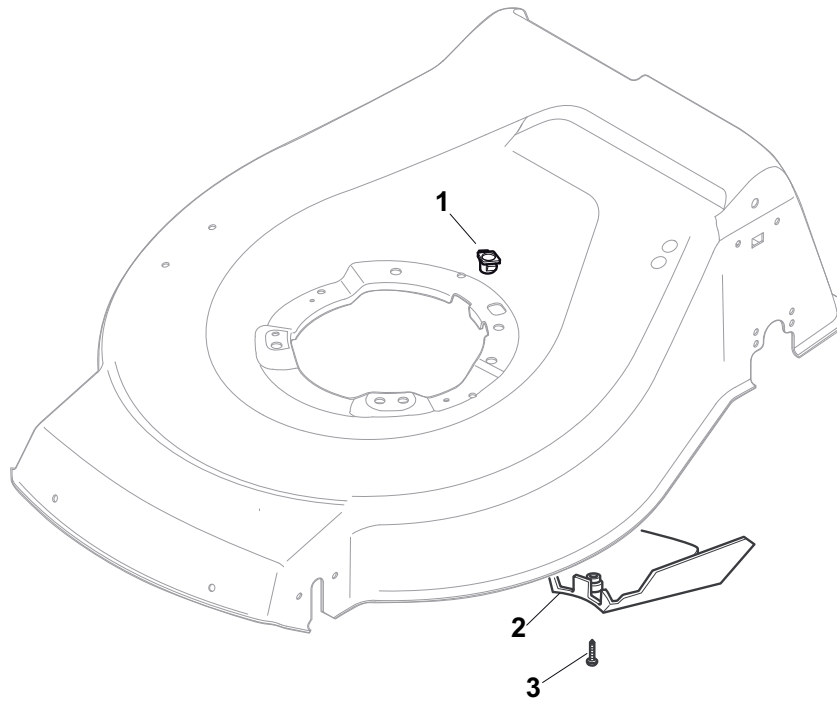
| POS | PART. NO | Q.ty | DESCRIPTION | DESCRIZIONE | DESCRIPTION | BESCHREIBUNG | REMARKS |
|-----|-------------|------|-------------|-------------|-------------|--------------|---------|
| 1 | 322042063/0 | 8 | Bush | Bussola | Douille | Buchse | |
| 2 | 381007435/0 | 4 | Wheel Ø 200 | Ruota Ø 200 | Roue Ø 200 | Rad Ø 200 | |



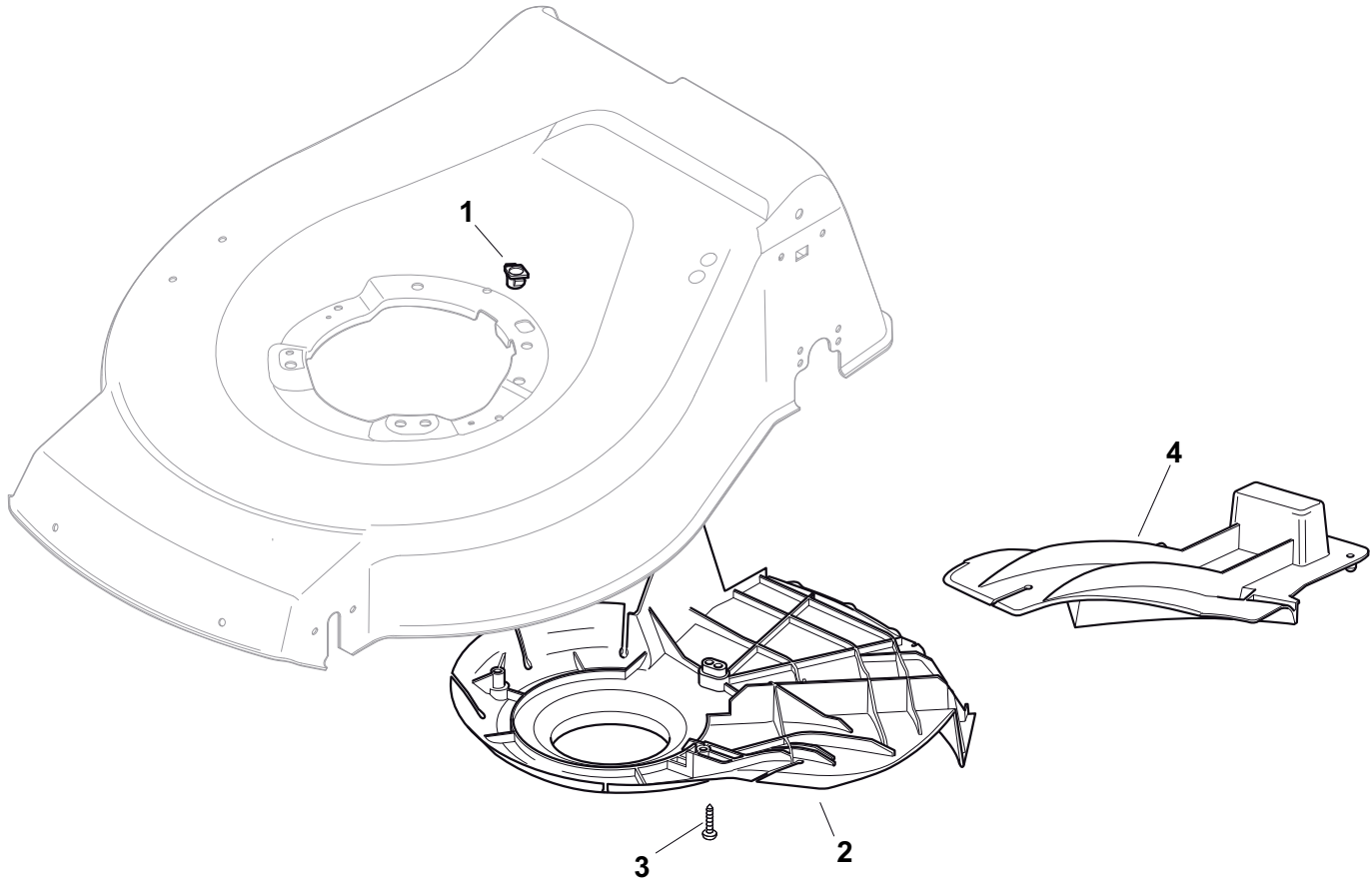
| POS | PART. NO | Q.ty | DESCRIPTION | DESCRIZIONE | DESCRIPTION | BESCHREIBUNG | REMARKS |
|-----|-------------|------|-------------|-------------|-------------|--------------|---------|
| 1 | 19216035/0 | 8 | Bearing | Cuscinetto | Coussinet | Lager | |
| 2 | 381007416/1 | 4 | Wheel Ø 200 | Ruota Ø 200 | Roue Ø 200 | Rad Ø 200 | |



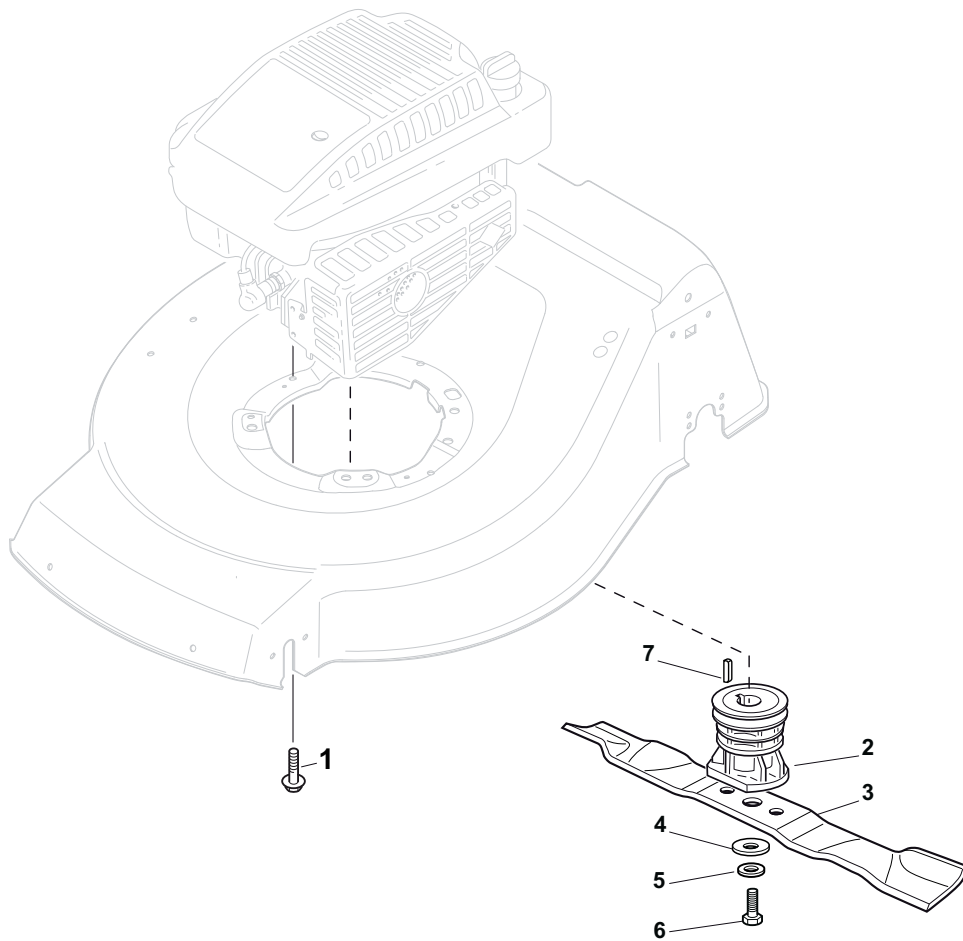
| POS | PART. NO | Q.ty | DESCRIPTION | DESCRIZIONE | DESCRIPTION | BESCHREIBUNG | REMARKS |
|-----|-------------|------|--------------|-------------------|--------------|--------------|---------|
| 1 | 322110687/0 | 4 | Hub Cap Grey | Coprимozzo Grigio | Couvre-Moyeu | Radkappe | |
| 2 | 22110382/0 | 4 | Hub Cap Grey | Coprимozzo Grigio | Couvre-Moyeu | Radkappe | |
| 3 | 22110417/0 | 4 | Hub Cap Grey | Coprимozzo Grigio | Couvre-Moyeu | Radkappe | |
| 4 | 22110492/0 | 4 | Hub Cap Grey | Coprимozzo Grigio | Couvre-Moyeu | Radkappe | |
| 5 | 322110643/0 | 4 | Hub Cap Grey | Coprимozzo Grigio | Couvre-Moyeu | Radkappe | |
| 6 | 322110645/0 | 4 | Hub Cap Grey | Coprимozzo Grigio | Couvre-Moyeu | Radkappe | |



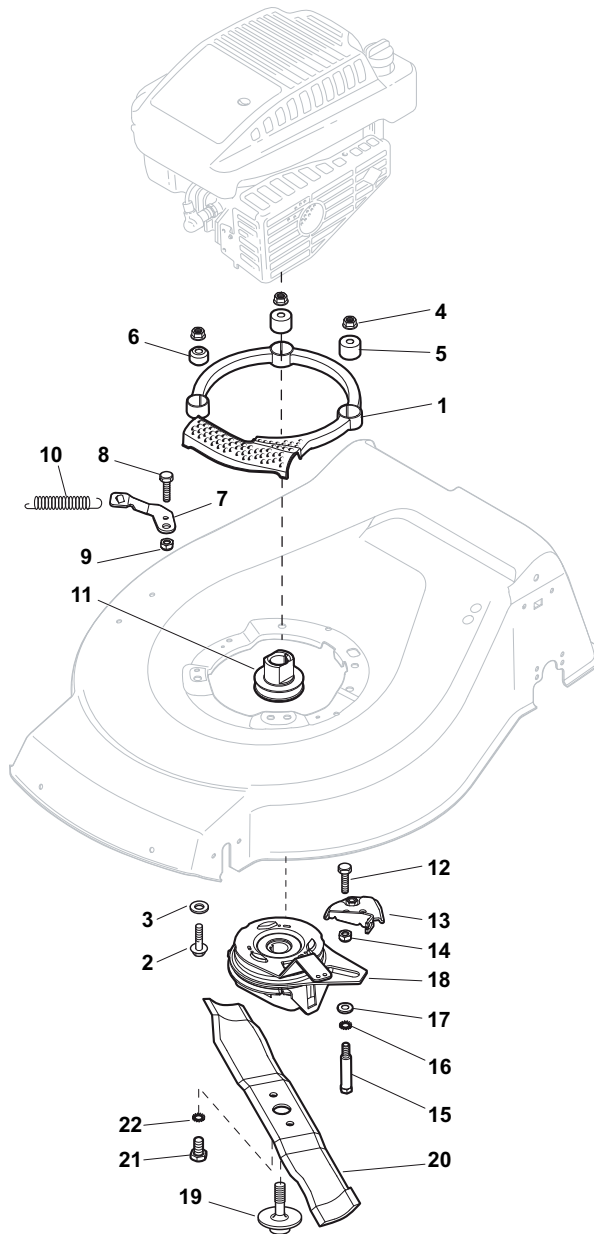
| POS | PART. NO | Q.ty | DESCRIPTION | DESCRIZIONE | DESCRIPTION | BESCHREIBUNG | REMARKS |
|-----|------------|------|------------------|-----------------|-------------|----------------|---------|
| 1 | 22291150/0 | 1 | Rubber Insert | Insero In Gomma | Insert De | Gummi Einsatz | |
| 2 | 22060192/0 | 1 | Protection, Belt | Carter Cinghia | Protection | Schutz, Riemen | |
| 3 | 12728530/0 | 1 | Screw | Vite | Vis | Schraube | |



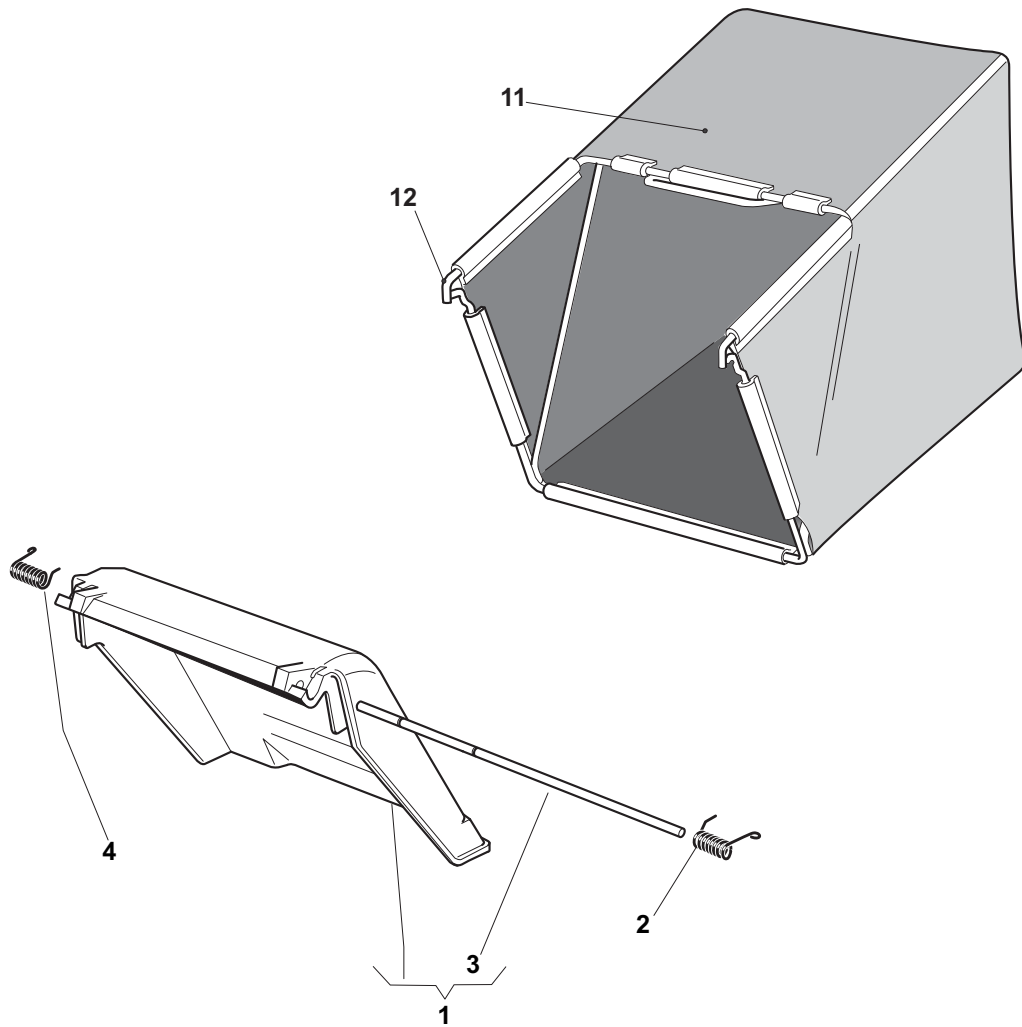
| POS | PART. NO | Q.ty | DESCRIPTION | DESCRIZIONE | DESCRIPTION | BESCHREIBUNG | REMARKS |
|-----|-------------|------|------------------|------------------|-------------|----------------|---------|
| 1 | 22291150/0 | 1 | Rubber Insert | Inserto In Gomma | Insert De | Gummi Einsatz | |
| 2 | 322060198/1 | 1 | Protection, Belt | Carter Cinghia | Protection | Schutz, Riemen | |
| 3 | 12728530/0 | 3 | Screw | Vite | Vis | Schraube | |
| 4 | 22140223/0 | 1 | Deflector | Deflettore | Deflecteur | Deflektor | |



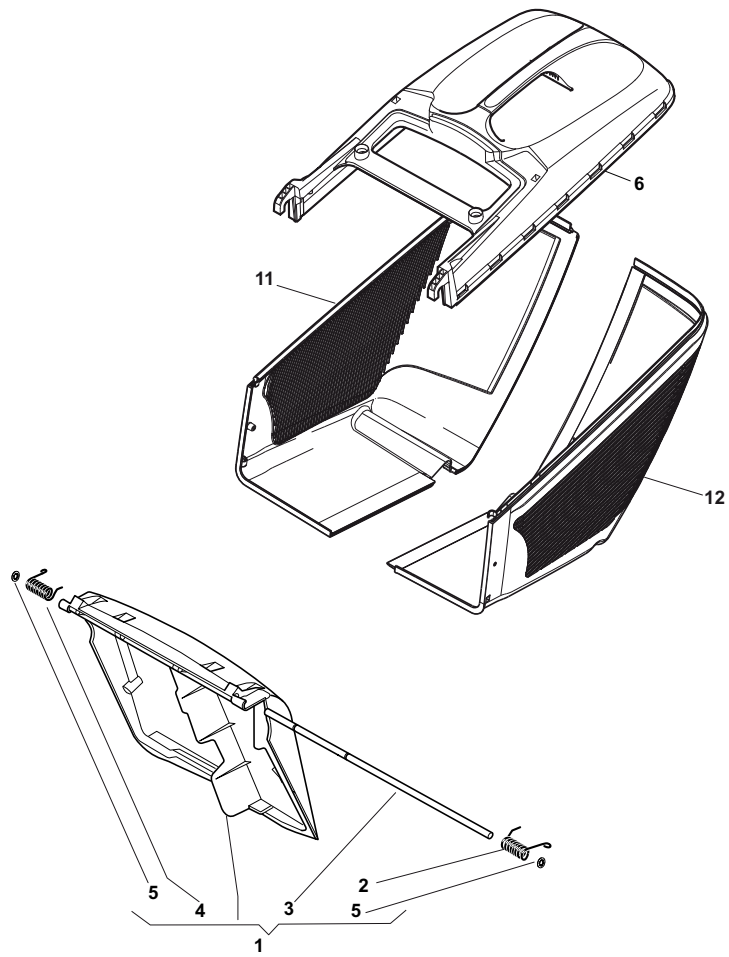
| POS | PART. NO | Q.ty | DESCRIPTION | DESCRIZIONE | DESCRIPTION | BESCHREIBUNG | REMARKS |
|-----|-------------|------|----------------------------|---------------------------------|-------------------------------|---------------------------|---------------|
| 1 | 112735108/1 | 3 | Screw | Vite | Vis | Schraube | B&S-GGP-Honda |
| 1 | 112735108/1 | 2 | Screw | Vite | Vis | Schraube | GGP 196cc |
| 1 | 112735109/1 | 1 | Screw | Vite | Vis | Schraube | GGP 196cc |
| 2 | 22463012/2 | 1 | Hub, Crankshaft Ø 22.2 | Mozzo, Albero Motore Ø 22.2 | Moyeu, Arbre Moteur Ø 22.2 | Halter, Motorwelle Ø 22.2 | B&S-GGP |
| 2 | 122463020/1 | 1 | Hub, Crankshaft Ø 25 | Mozzo, Albero Motore Ø 25 | Moyeu, Arbre Moteur Ø 25 | Halter, Motorwelle Ø 25 | Honda |
| 3 | 181004458/0 | 1 | Blade Standard | Coltello Standard | Lame Standard | Messer Standard | |
| 4 | 22160400/0 | 1 | Elastic Washer | Disco Elastico | Rondelle Elastique | Elastischescheibe | |
| 5 | 12523080/0 | 1 | Washer | Rosetta | Rondelle | Scheibe | |
| 6 | 12735698/0 | 1 | Screw | Vite | Vis | Schraube | |
| 7 | 12139100/0 | 1 | Feather, Crankshaft Ø 22.2 | Linguetta, Albero Motore Ø 22.2 | Clavette, Arbre Moteur Ø 22.2 | Keil, Motorwelle Ø 22.2 | B&S-GGP |
| 7 | 12139150/0 | 1 | Feather, Crankshaft Ø 25 | Linguetta, Albero Motore Ø 25 | Clavette, Arbre Moteur Ø 25 | Keil, Motorwelle Ø 25 | Honda |



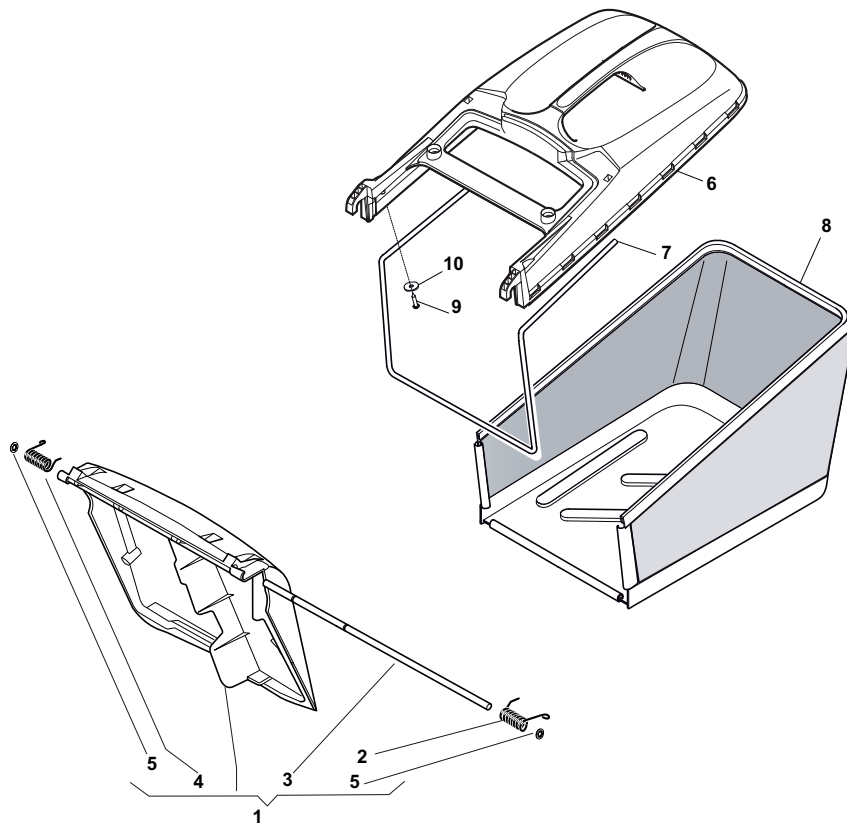
| POS | PART. NO | Q.ty | DESCRIPTION | DESCRIZIONE | DESCRIPTION | BESCHREIBUNG | REMARKS |
|-----|-------------|------|---------------------------|--------------------------------|-----------------------------|----------------------------|---------|
| 1 | 322170963/0 | 1 | Protection | Protezione | Protection | Schutz | |
| 2 | 12692050/0 | 1 | Screw | Vite | Vis | Schraube | B&S |
| 2 | 12691700/0 | 2 | Screw | Vite | Vis | Schraube | B&S |
| 2 | 12691700/0 | 3 | Screw | Vite | Vis | Schraube | Honda |
| 3 | 12521350/0 | 3 | Washer | Rosetta | Rondelle | Scheibe | |
| 4 | 12154210/0 | 3 | Nut | Dado | Ecrou | Mutter | |
| 5 | 22170835/0 | 2 | Spacer | Distanziale | Entretoise | Distanzring | |
| 6 | 122170836/1 | 1 | Spacer | Distanziale | Entretoise | Distanzring | |
| 7 | 322551671/0 | 1 | Support | Supporto | Support | Halter | |
| 8 | 112791200/1 | 1 | Screw | Vite | Vis | Schraube | |
| 9 | 12154510/0 | 1 | Nut | Dado | Ecrou | Mutter | |
| 10 | 122446188/0 | 1 | Spring | Molla | Ressort | Feder | |
| 11 | 122601922/0 | 1 | Pulley, Crankshaft Ø 22.2 | Puleggia, Albero Motore Ø 22.2 | Poulie, Arbre Moteur Ø 22.2 | Scheibe, Motorwelle Ø 22.2 | B&S |
| 11 | 122601923/0 | 1 | Pulley, Crankshaft Ø 25 | Puleggia, Albero Motore Ø 25 | Poulie, Arbre Moteur Ø 25 | Scheibe, Motorwelle Ø 25 | Honda |
| 12 | 112791200/1 | 2 | Screw | Vite | Vis | Schraube | |
| 13 | 381545335/0 | 1 | Support | Supporto | Support | Halter | |
| 14 | 12154510/0 | 2 | Nut | Dado | Ecrou | Mutter | |
| 15 | 122534127/0 | 1 | Pin | Piolo | Bondon | Dübel | |
| 16 | 12540060/0 | 1 | Washer | Rondella | Rondelle | Scheibe | |
| 17 | 22671653/0 | 1 | Washer | Rosetta | Rondelle | Scheibe | |
| 18 | 118399051/0 | 1 | Mechanical Clutch | Ass. Frizione Meccanica | Embrayage Mecanique | Mechanische Kupplung | |
| 19 | 12735460/0 | 1 | Screw | Vite | Vis | Schraube | |
| 20 | 181004382/0 | 1 | Blade | Coltello | Lame | Messer | |
| 21 | 12540060/0 | 2 | Washer | Rondella | Rondelle | Scheibe | |
| 22 | 12794110/0 | 2 | Screw | Vite | Vis | Schraube | |



| POS | PART. NO | Q.ty | DESCRIPTION | DESCRIZIONE | DESCRIPTION | BESCHREIBUNG | REMARKS |
|-----|-------------|------|------------------|------------------|------------------------|----------------|---------|
| 1 | 381007308/2 | 1 | Stone-Guard | Parasassi | Pare-Pierres | Prallblech | |
| 2 | 122450466/0 | 1 | L Spring | Molla Sx | Ressort G | Linke Feder | |
| 3 | 122517882/0 | 1 | Pin | Perno | Pivot | Bolzen | |
| 4 | 122450465/0 | 1 | R Spring | Molla Dx | Ressort D | Rechte Feder | |
| 6 | 322486073/1 | 1 | Grass-Box, Upper | Sacco, Parte Sup | Sac, Partie Superieure | Korb, Oberteil | |
| 11 | 81002105/2 | 1 | Box, Fabric | Sacco, Tela | Sac, Toile | Sack, Tuck | |
| 12 | 81006418/0 | 1 | Chassis Box | Telaio Sacco | Châssis Bac | Rahmen Sack | |



| POS | PART. NO | Q.ty | DESCRIPTION | DESCRIZIONE | DESCRIPTION | BESCHREIBUNG | REMARKS |
|-----|-------------|------|------------------|------------------|------------------------|-----------------|---------|
| 1 | 381007308/2 | 1 | Stone-Guard | Parasassi | Pare-Pierres | Prallblech | |
| 2 | 122450466/0 | 1 | L Spring | Molla Sx | Ressort G | Linke Feder | |
| 3 | 122517882/0 | 1 | Pin | Perno | Pivot | Bolzen | |
| 4 | 122450465/0 | 1 | R Spring | Molla Dx | Ressort D | Rechte Feder | |
| 6 | 322486073/1 | 1 | Grass-Box, Upper | Sacco, Parte Sup | Sac, Partie Superieure | Korb, Oberteil | |
| 7 | 22486074/0 | 1 | Grass-Box, Lower | Sacco, Parte Inf | Sac, Partie Inferieure | Korb, Unterteil | |



| POS | PART. NO | Q.ty | DESCRIPTION | DESCRIZIONE | DESCRIPTION | BESCHREIBUNG | REMARKS |
|-----|-------------|------|------------------|------------------|------------------------|----------------|---------|
| 1 | 381008081/2 | 1 | Stone-Guard | Parasassi | Pare-Pierres | Prallblech | |
| 2 | 122450466/0 | 1 | L Spring | Molla Sx | Ressort G | Linke Feder | |
| 3 | 122517882/0 | 1 | Pin | Perno | Pivot | Bolzen | |
| 4 | 122450465/0 | 1 | R Spring | Molla Dx | Ressort D | Rechte Feder | |
| 6 | 22486101/0 | 1 | Grass-Box, Upper | Sacco, Parte Sup | Sac, Partie Superieure | Korb, Oberteil | |
| 7 | 22608525/0 | 1 | Stiffening Lower | Rinforzo Inf | Réinforcement Inf | Verstärkung | |
| 8 | 81002211/0 | 1 | Box, Fabric | Sacco, Tela | Sac, Toile | Sack, Tuck | |
| 9 | 12728680/0 | 2 | Screw | Vite | Vis | Schraube | |
| 10 | 12523050/0 | 2 | Washer | Rosetta | Rondelle | Scheibe | |