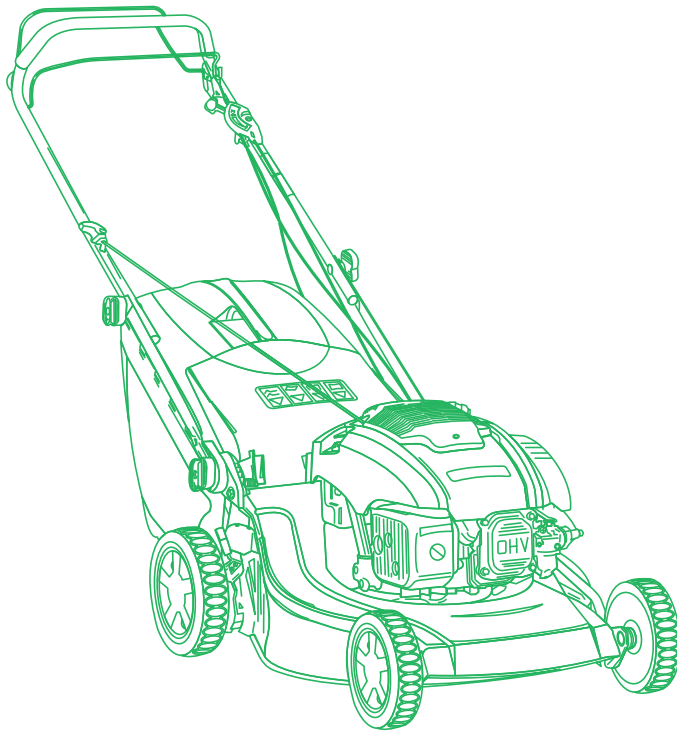


ILLUSTRATED PARTS LIST

NT 534 WTR NT 534 WTR Q



- Use GLOBAL GARDEN PRODUCT Genuine Spare Parts specified in the parts list for repair and/or replacement.
- The contents described in the parts list may change due to improvement.
- The drawings of the spare parts are only indicative and might not represent the part in question exactly.
- The indications "right" - "left" - "front" - "rear" refer to the position of the operator when using the machine.
- When placing orders of parts for repair and/or replacement, make sure that the illustrated parts list is the one applying to the machine's year of manufacture, as shown on the identification plate attached to the machine.

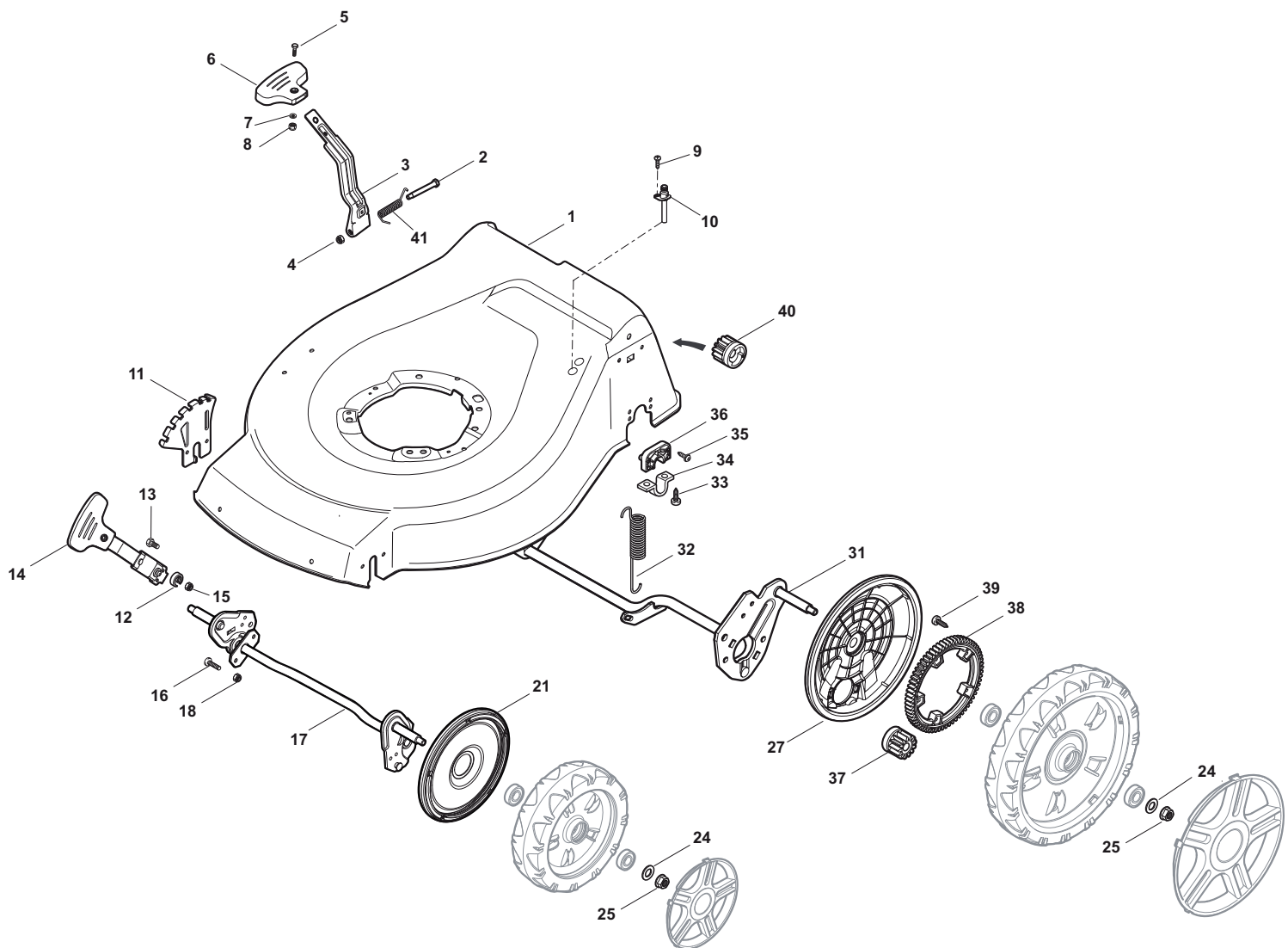
© Copyright 2012 Global Garden Products

All content is subject to copyright by Global Garden Products and may not be reproduced in whole or in part by any means, electronic or otherwise, without prior written approval.

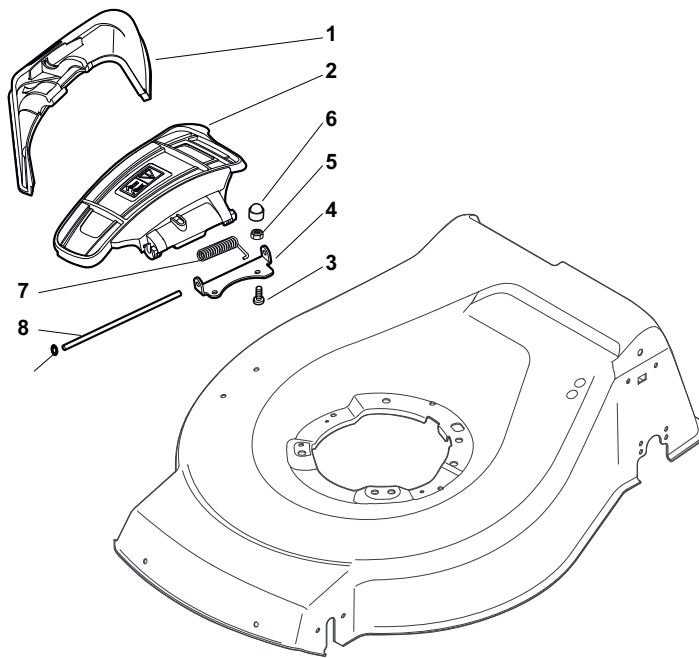
THIS INFORMATION IS NOT INTENDED FOR SALE OR RESALE, AND THIS NOTICE MUST REMAIN ON ALL COPIES.



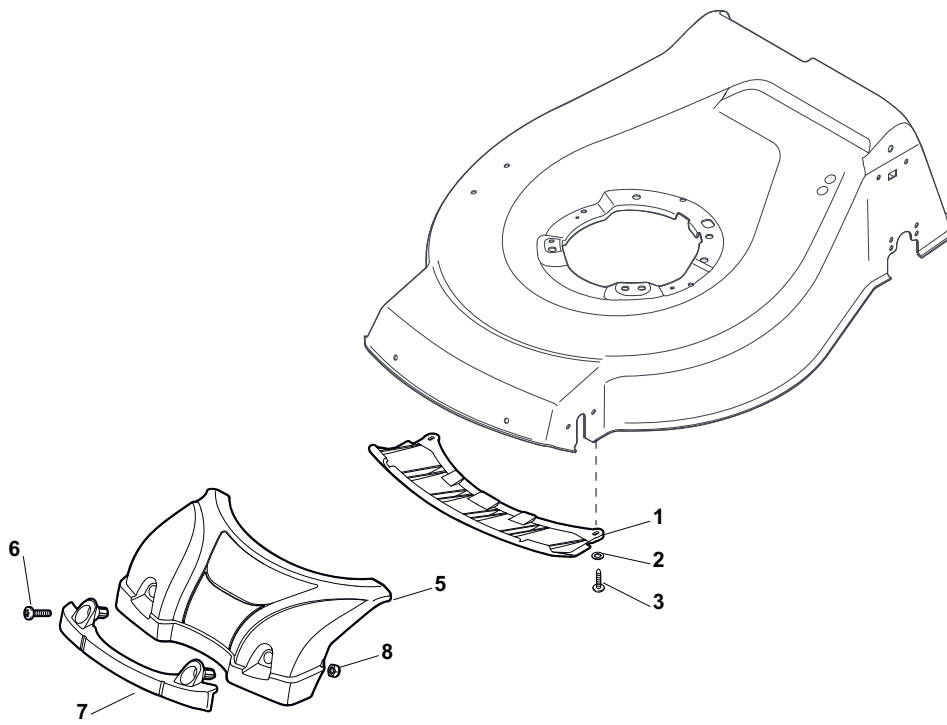
GLOBAL GARDEN PRODUCTS



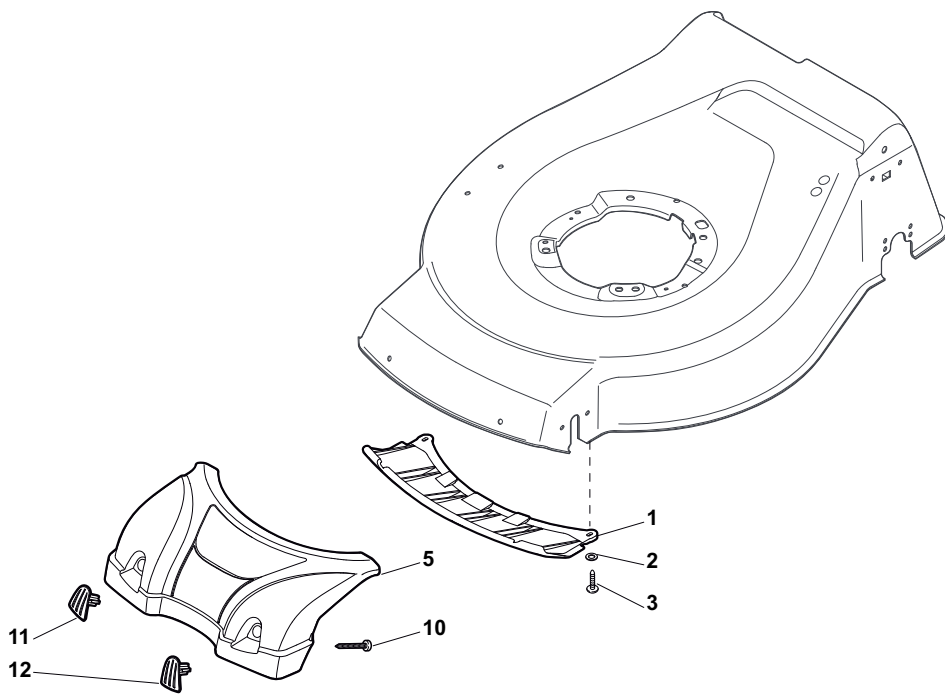
| POS | PART. NO | Q.ty | DESCRIPTION | DESCRIZIONE | DESCRIPTION | BESCHREIBUNG | REMARKS |
|-----|-------------|------|---------------------------|-----------------------------|-------------------------|-------------------------|----------------|
| 1 | 381004540/0 | 1 | Deck Red | Chassis Rosso | Châssis Rouge | Gehäuse Rot | |
| 1 | 381004590/0 | 1 | Deck Yellow | Chassis Giallo | Châssis Jaune | Gehäuse Gelb | |
| 1 | 381004542/0 | 1 | Deck Red | Chassis Rosso | Châssis Rouge | Gehäuse Rot | Side Discharge |
| 2 | 122534131/0 | 1 | Pin | Perno | Pivot | Bolzen | |
| 3 | 381003398/0 | 1 | Lever, Height Adjustment | Leva Regolazione Altezza | Levier, Reglage Hauteur | Hebel, Höheverstellung | |
| 4 | 12154510/0 | 1 | Nut | Dado | Ecrou | Mutter | |
| 5 | 12788512/0 | 1 | Screw | Vite | Vis | Schraube | |
| 6 | 322394503/0 | 1 | Knob | Manopolina | Poignée | Griff | |
| 7 | 12521310/0 | 1 | Washer | Rondella | Rondelle | Scheibe | |
| 8 | 12150000/0 | 1 | Nut | Dado | Ecrou | Mutter | |
| 9 | 12728450/0 | 1 | Screw | Vite | Vis | Schraube | |
| 10 | 322034002/0 | 1 | Washing Connection | Attacco Acqua Lavaggio | Attaque Lavage | Waschenverbindung | |
| 11 | 322735589/0 | 1 | Sector, Height Adjustment | Settore Regolazione Altezza | Secteur Reglage Hauteur | Sektor, Höheverstellung | |
| 12 | 22171002/0 | 2 | Spacer | Distanziale | Entretoise | Distanzring | |
| 13 | 12789000/0 | 2 | Screw | Vite | Vis | Schraube | |
| 14 | 381003351/0 | 1 | Lever, Height Adjustment | Leva Regolazione Altezza | Levier Reglage Hauteur | Hebel, Höneverstellung | |
| 15 | 12154330/0 | 2 | Nut | Dado | Ecrou | Mutter | |
| 16 | 112727803/0 | 4 | Screw | Vite | Vis | Schraube | |
| 17 | 381002885/1 | 1 | Axle, Front Wheels | Asse Ruote Anteriori | Axe Roues Avant | Achse, Vorderrad | |
| 18 | 12154510/0 | 4 | Nut | Dado | Ecrou | Mutter | |
| 21 | 322600145/0 | 2 | Protection, Wheel | Prot. Ruote | Protection Roue | Schütz, Räder | |
| 24 | 12521350/0 | 4 | Washer | Rondella | Rondelle | Scheibe | |
| 25 | 12155000/0 | 4 | Nut | Dado | Ecrou | Mutter | |
| 27 | 322600208/0 | 2 | Protection, Wheel | Prot. Ruote | Protection Roue | Schütz, Räder | |
| 31 | 381302835/0 | 1 | Axle, Rear Wheels | Asse Ruote Posteriori | Axe Roues Arriere | Achse, Hinterrad | |
| 32 | 122450460/0 | 1 | Spring | Molla | Ressort | Feder | |
| 33 | 112728697/0 | 4 | Screw | Vite | Vis | Schraube | |
| 34 | 22545152/0 | 2 | Plate | Piastrina | Plaquette | Platte | |
| 35 | 112728697/0 | 4 | Screw | Vite | Vis | Schraube | |
| 36 | 322785304/1 | 2 | Support | Supporto | Support | Halter | |
| 37 | 122570134/0 | 1 | Pinion L | Pignone Sx | Pignon G | Ritzel Linkes | |
| 38 | 322120115/0 | 2 | Ring Gear | Corona Trasinamento | Couronne | Kranz | |
| 39 | 112728706/0 | 6 | Screw | Vite | Vis | Schraube | |
| 40 | 122570133/0 | 1 | Pinion R | Pignone Dx | Pignon D | Ritzel Rechtes | |
| 41 | 122446192/0 | 1 | Spring | Molla | Ressort | Feder | |



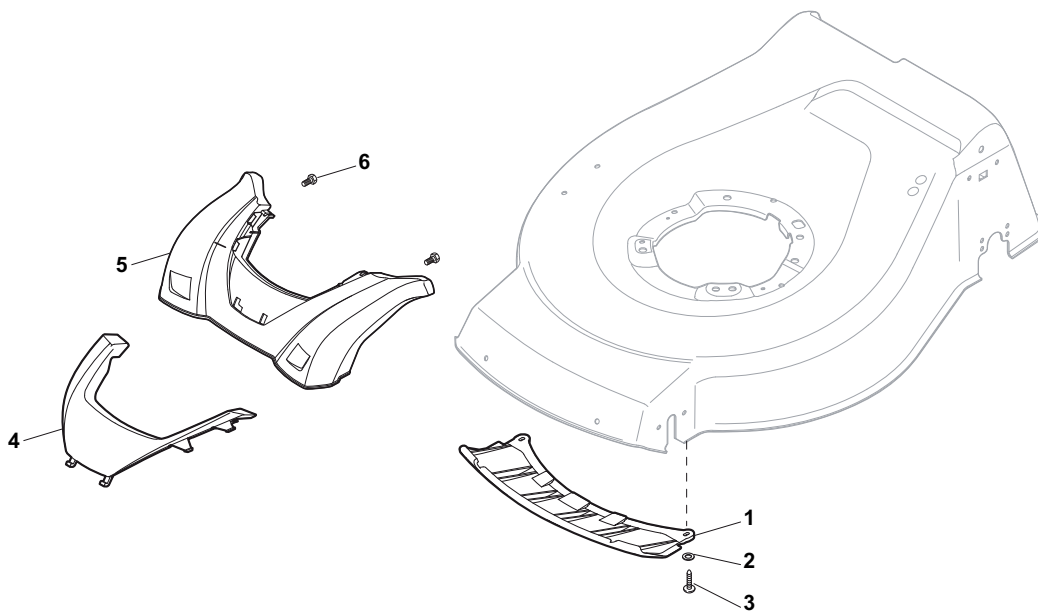
| POS | PART. NO | Q.ty | DESCRIPTION | DESCRIZIONE | DESCRIPTION | BESCHREIBUNG | REMARKS |
|-----|-------------|------|----------------|--------------------|---------------------|---------------|---------|
| 1 | 322108295/0 | 1 | Stone-Guard | Parasassi | Pare-Pierres | Prallblech | |
| 2 | 322600195/0 | 1 | Ejection Guard | Protezione Uscita | Protection Sortie | Auswurfschutz | |
| 3 | 112727803/0 | 2 | Screw | Vite | Vis | Schraube | |
| 4 | 322806639/0 | 1 | Fulcrum Pin | Fulcro | Point D'Appui | Gelenkpunkt | |
| 5 | 12154510/0 | 2 | Nut | Dado | Ecrou | Mutter | |
| 6 | 18203853/0 | 2 | Protection | Cappuccio | Capuchon | Stecker | |
| 7 | 122450456/0 | 1 | Spring | Molla | Ressort | Feder | |
| 8 | 122517869/0 | 1 | Pin | Perno | Pivot | Bolzen | |
| 9 | 12604896/0 | 2 | Crown Fastener | Fissatore A Corona | Fixateur A Couronne | Kronescheibe | |



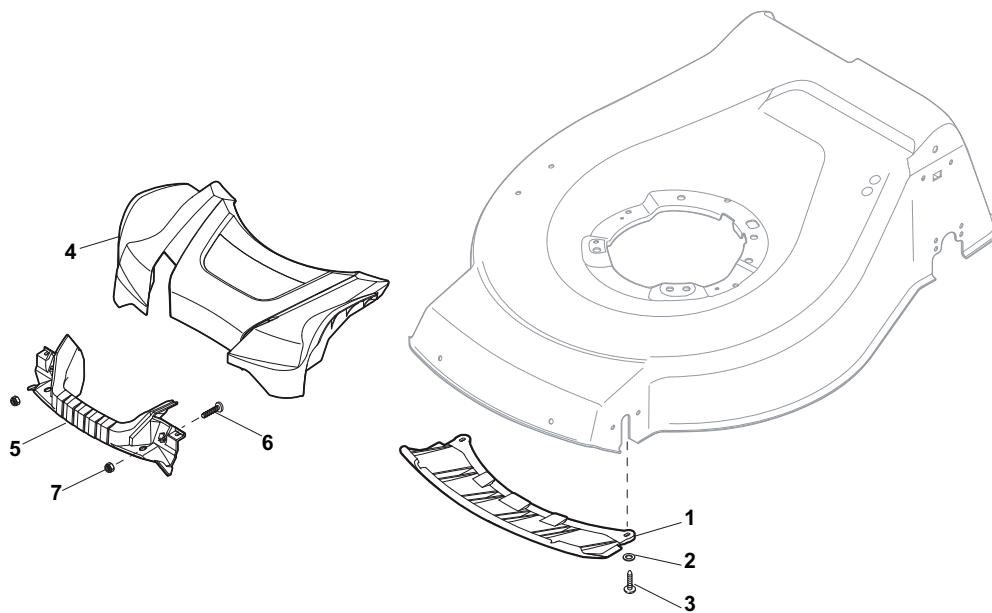
| POS | PART. NO | Q.ty | DESCRIPTION | DESCRIZIONE | DESCRIPTION | BESCHREIBUNG | REMARKS |
|-----|-------------|------|----------------|--------------------|----------------|----------------|---------|
| 1 | 322500103/0 | 1 | Front Combi | Pettine Anteriore | Peigne Avant | Vorne Comb | |
| 2 | 112523000/1 | 2 | Washer | Rosetta | Rondelle | Scheibe | |
| 3 | 12728124/0 | 2 | Screw | Vite | Vis | Schraube | |
| 5 | 322226145/0 | 1 | Mask, Red | Mascherina, Rosso | Mesque, Rouge | Maske, Rot | |
| 5 | 322226154/0 | 1 | Mask, Black | Mascherina, Nero | Mesque, Noire | Maske, Schwarz | |
| 5 | 322226146/0 | 1 | Mask, Black | Mascherina, Nero | Mesque, Noire | Maske, Schwarz | |
| 5 | 322226152/0 | 1 | Mask, Yellow | Mascherina, Giallo | Mesque, Jaune | Maske, Gelb | |
| 6 | 112727799/0 | 2 | Screw | Vite | Vis | Schraube | |
| 7 | 322393638/0 | 1 | Handle, Black | Maniglia, Nero | Poignee, Noire | Griff, Schwarz | |
| 7 | 322393640/0 | 1 | Handle, Yellow | Maniglia, Gialla | Poignee, Jaune | Griff, Gelb | |
| 7 | 322393639/0 | 1 | Handle, Grey | Maniglia, Grigio | Poignee, Gris | Griff, Grau | |
| 8 | 12154510/0 | 2 | Nut | Dado | Ecrou | Mutter | |



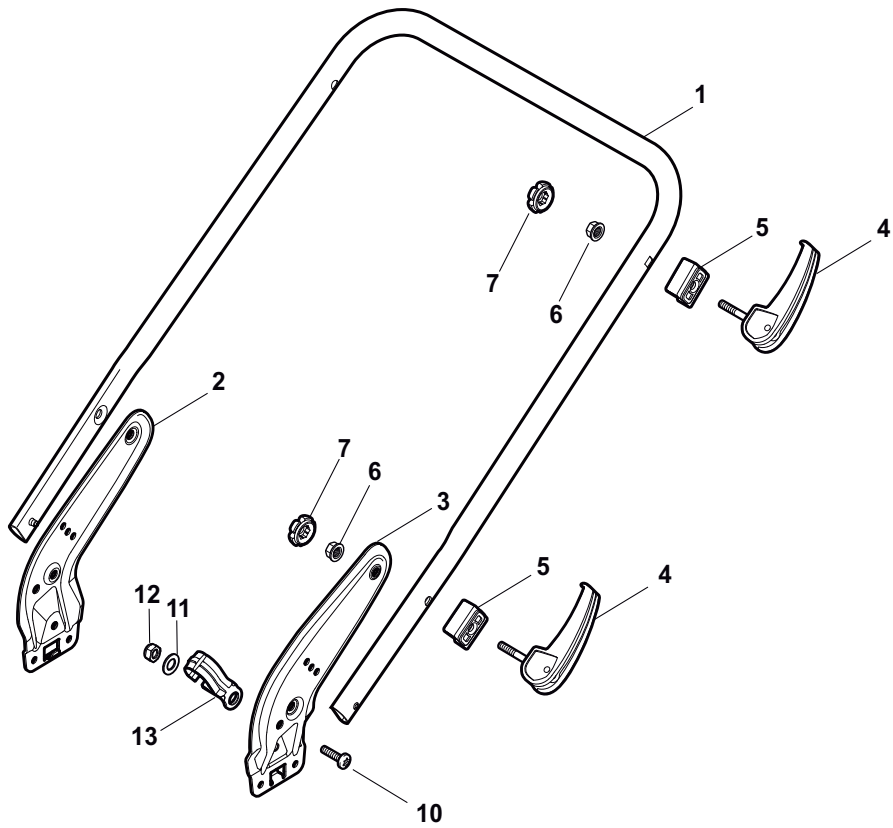
| POS | PART. NO | Q.ty | DESCRIPTION | DESCRIZIONE | DESCRIPTION | BESCHREIBUNG | REMARKS |
|-----|-------------|------|--------------|--------------------|---------------|----------------|---------|
| 1 | 322500103/0 | 1 | Front Combi | Pettine Anteriore | Peigne Avant | Vorne Comb | |
| 2 | 112523000/1 | 2 | Washer | Rosetta | Rondelle | Scheibe | |
| 3 | 12728124/0 | 2 | Screw | Vite | Vis | Schraube | |
| 5 | 322226146/0 | 1 | Mask, Black | Mascherina, Nero | Mesque, Noire | Maske, Schwarz | |
| 5 | 322226152/0 | 1 | Mask, Yellow | Mascherina, Giallo | Mesque, Jaune | Maske, Gelb | |
| 5 | 322226145/0 | 1 | Mask, Red | Mascherina, Rosso | Mesque, Rouge | Maske, Rot | |
| 5 | 322226154/0 | 1 | Mask, Black | Mascherina, Nero | Mesque, Noire | Maske, Schwarz | |
| 10 | 112728697/0 | 2 | Screw | Vite | Vis | Schraube | |
| 11 | 322820082/0 | 1 | Cap | Tappo | Bouchon | Gummistopfen | |
| 12 | 322820083/0 | 1 | Cap | Tappo | Bouchon | Gummistopfen | |



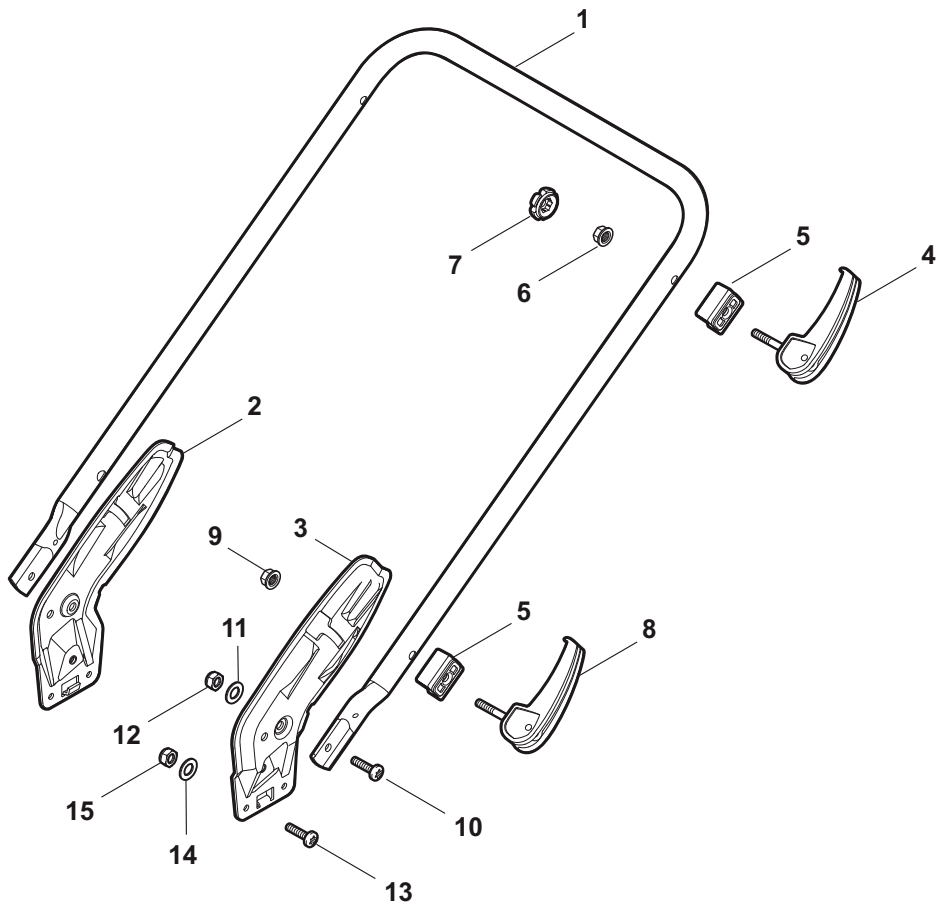
| POS | PART. NO | Q.ty | DESCRIPTION | DESCRIZIONE | DESCRIPTION | BESCHREIBUNG | REMARKS |
|-----|-------------|------|---------------|-------------------|-----------------|----------------|---------|
| 1 | 322500103/0 | 1 | Front Combi | Pettine Anteriore | Peigne Avant | Vorne Comb | |
| 2 | 112523000/1 | 2 | Washer | Rosetta | Rondelle | Scheibe | |
| 3 | 12728124/0 | 2 | Screw | Vite | Vis | Schraube | |
| 4 | 322226167/0 | 1 | Frontal Plate | Placca Frontale | Plaque Frontale | Frontplatte | |
| 5 | 322226166/0 | 1 | Mask, Black | Mascherina, Nero | Mesque, Noire | Maske, Schwarz | |
| 6 | 12728300/0 | 2 | Screw | Vite | Vis | Schraube | |



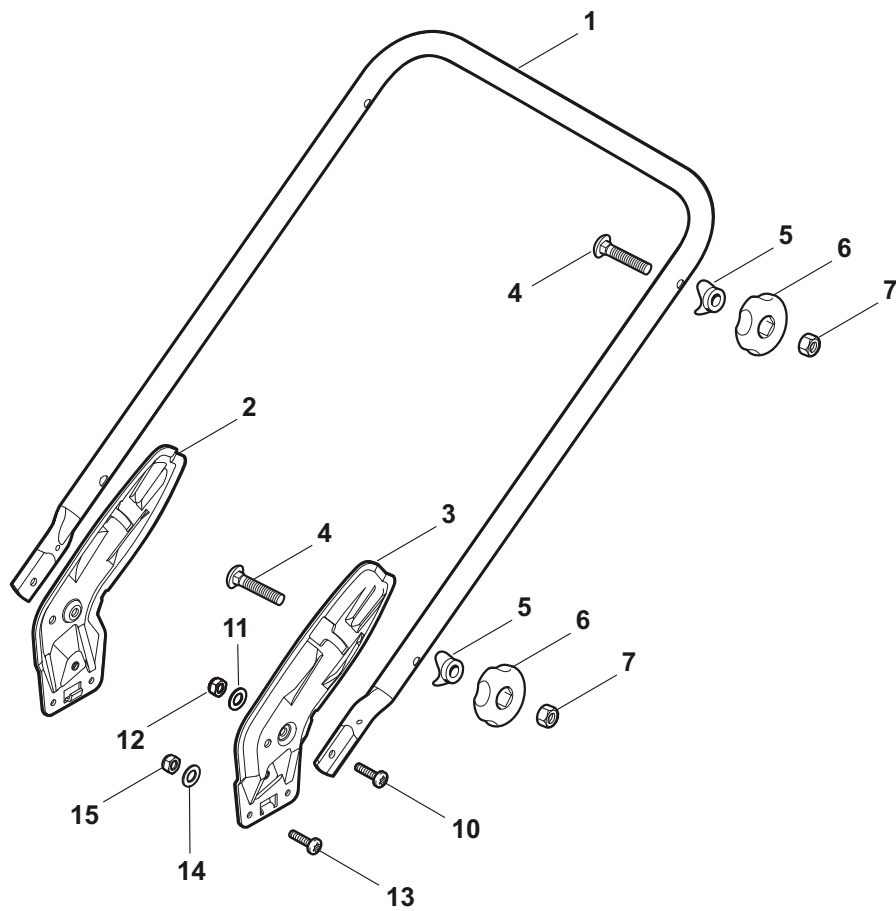
| POS | PART. NO | Q.ty | DESCRIPTION | DESCRIZIONE | DESCRIPTION | BESCHREIBUNG | REMARKS |
|-----|-------------|------|-------------|-------------------|---------------|----------------|---------|
| 1 | 322500103/0 | 1 | Front Combi | Pettine Anteriore | Peigne Avant | Vorne Comb | |
| 2 | 112523000/1 | 2 | Washer | Rosetta | Rondelle | Scheibe | |
| 3 | 12728124/0 | 2 | Screw | Vite | Vis | Schraube | |
| 4 | 322226158/0 | 1 | Mask, Black | Mascherina, Nero | Mesque, Noire | Maske, Schwarz | |
| 5 | 322393642/0 | 1 | Bumper | Bumper | Bumper | Bumper | |
| 6 | 12727799/0 | 2 | Screw | Vite | Vis | Schraube | |
| 7 | 12154510/0 | 2 | Nut | Dado | Ecrou | Mutter | |



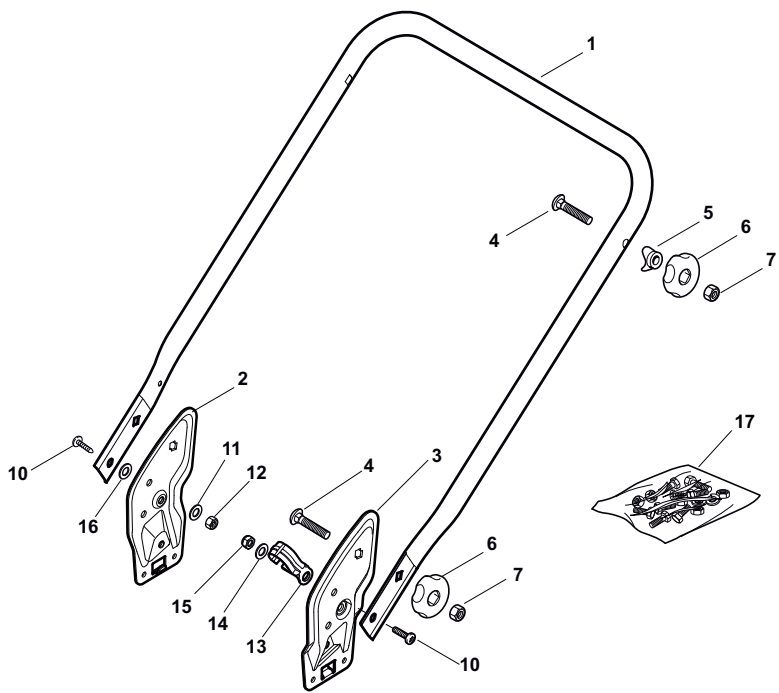
| POS | PART. NO | Q.ty | DESCRIPTION | DESCRIZIONE | DESCRIPTION | BESCHREIBUNG | REMARKS |
|-----|-------------|------|--------------------|-------------------|------------------------------|------------------|---------|
| 1 | 381006719/0 | 1 | Handle, Lower Part | Manico, Parte Inf | Mancheron, Partie Inferieure | Holm, Unterteil | Black |
| 1 | 381006720/0 | 1 | Handle, Lower Part | Manico, Parte Inf | Mancheron, Partie Inferieure | Holm, Unterteil | Grey |
| 2 | 381005149/0 | 1 | Bracket, R | Staffa Dx | Bride D | Pratze, Rechte | |
| 3 | 381005151/0 | 1 | Bracket, L | Staffa Sx | Bride G | Pratze, Linke | |
| 4 | 381003253/0 | 4 | Handle | Maniglia | Poignee | Griff | |
| 5 | 322680016/0 | 4 | Support | Supporto | Support | Halter | |
| 6 | 22131750/0 | 4 | Nut | Dado | Ecrou | Mutter | |
| 7 | 322399835/0 | 4 | Knob | Manopolina | Poignée | Griff | |
| 10 | 12760605/0 | 2 | Screw | Vite | Vis | Schraube | |
| 11 | 25038002/1 | 1 | Bush | Bussola | Douille | Buchse | |
| 12 | 12155000/0 | 2 | Nut | Dado | Ecrou | Mutter | |
| 13 | 322192156/0 | 1 | Fair Led | Fascetta | Fixation De Cable | Kabelbefestigung | |



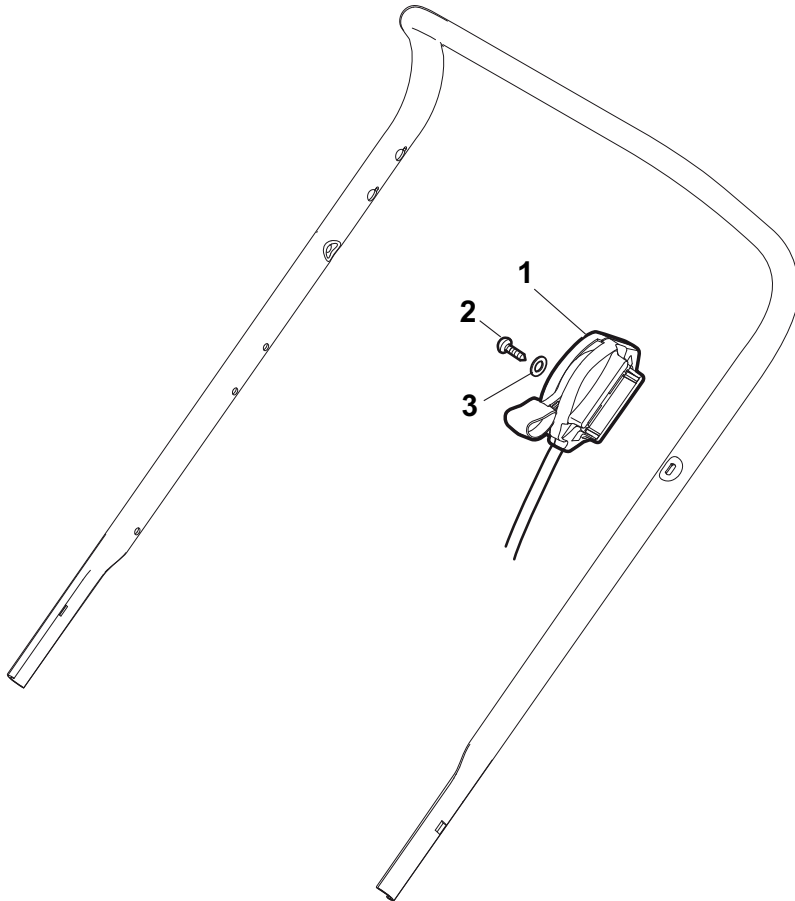
| POS | PART. NO | Q.ty | DESCRIPTION | DESCRIZIONE | DESCRIPTION | BESCHREIBUNG | REMARKS |
|-----|-------------|------|--------------------|-------------------|-------------------------|-----------------|---------|
| 1 | 381006891/0 | 1 | Handle, Lower Part | Manico, Parte Inf | Mancheron, Partie Infer | Holm, Unterteil | |
| 2 | 381005125/0 | 1 | Bracket, R | Staffa Dx | Bride D | Pratze, Rechte | |
| 3 | 381005127/0 | 1 | Bracket, L | Staffa Sx | Bride G | Pratze, Linke | |
| 4 | 381003253/0 | 2 | Handle | Maniglia | Poignee | Griff | |
| 5 | 322680016/0 | 4 | Support | Supporto | Support | Halter | |
| 6 | 22131750/0 | 2 | Nut | Dado | Ecrou | Mutter | |
| 7 | 322399835/0 | 2 | Knob | Manopolina | Poignée | Griff | |
| 8 | 381003254/0 | 1 | Handle | Maniglia | Poignee | Griff | |
| 9 | 112154220/0 | 2 | Nut | Dado | Ecrou | Mutter | |
| 10 | 12760605/0 | 2 | Screw | Vite | Vis | Schraube | |
| 11 | 12521350/0 | 2 | Washer | Rosetta | Rondelle | Scheibe | |
| 12 | 12155000/0 | 2 | Nut | Dado | Ecrou | Mutter | |
| 13 | 112727803/0 | 6 | Screw | Vite | Vis | Schraube | |
| 14 | 12523040/0 | 6 | Washer | Rosetta | Rondelle | Scheibe | |
| 15 | 12154510/0 | 6 | Nut | Dado | Ecrou | Mutter | |



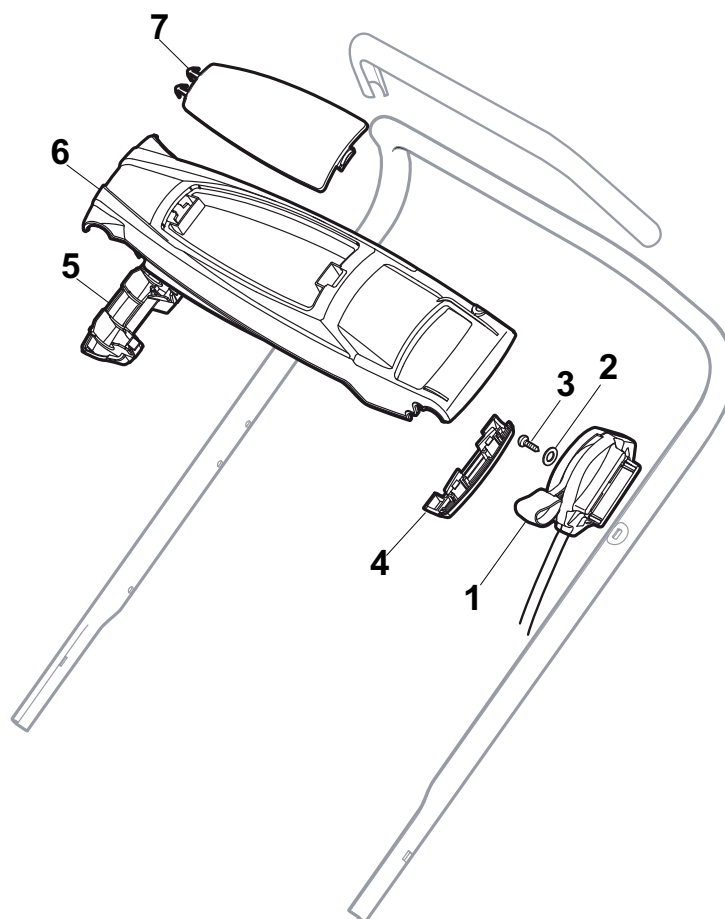
| POS | PART. NO | Q.ty | DESCRIPTION | DESCRIZIONE | DESCRIPTION | BESCHREIBUNG | REMARKS |
|-----|-------------|------|--------------------|-------------------|------------------------|-----------------|---------|
| 1 | 381006891/0 | 1 | Handle, Lower Part | Manico, Parte Inf | Mancheron, Partie Inf. | Holm, Unterteil | |
| 2 | 381005125/0 | 1 | Bracket, R | Staffa Dx | Bride D | Pratze, Rechte | |
| 3 | 381005127/0 | 1 | Bracket, L | Staffa Sx | Bride G | Pratze, Linke | |
| 4 | 12819120/0 | 4 | Screw | Vite | Vis | Schraube | |
| 5 | 22680006/1 | 4 | Washer | Rosetta | Rondelle | Scheibe | |
| 6 | 322399804/1 | 4 | Knob | Manopolina | Poignée | Griff | |
| 7 | 12293200/0 | 4 | Nut | Dado | Ecrou | Mutter | |
| 10 | 12760605/0 | 2 | Screw | Vite | Vis | Schraube | |
| 11 | 12521350/0 | 2 | Washer | Rosetta | Rondelle | Scheibe | |
| 12 | 12155000/0 | 2 | Nut | Dado | Ecrou | Mutter | |
| 13 | 112727803/0 | 6 | Screw | Vite | Vis | Schraube | |
| 14 | 12523040/0 | 6 | Washer | Rosetta | Rondelle | Scheibe | |
| 15 | 12154510/0 | 6 | Nut | Dado | Ecrou | Mutter | |



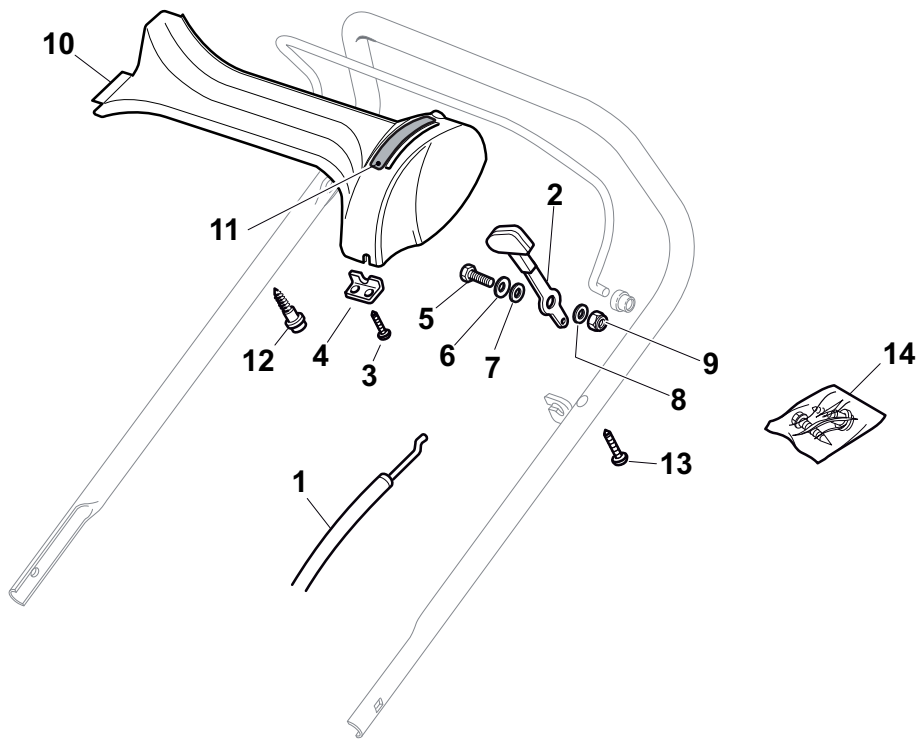
| POS | PART. NO | Q.ty | DESCRIPTION | DESCRIZIONE | DESCRIPTION | BESCHREIBUNG | REMARKS |
|-----|-------------|------|--------------------|-------------------|-----------------------|--------------------|---------|
| 1 | 381007043/0 | 1 | Handle, Lower Part | Manico, Parte Inf | Mancheron, Partie Inf | Holm, Unterteil | |
| 2 | 381005133/0 | 1 | Bracket, L | Staffa Sx | Bride G | Pratze, Linke | |
| 3 | 381005135/0 | 1 | Bracket, L | Staffa Sx | Bride G | Pratze, Linke | |
| 4 | 12819120/0 | 4 | Screw | Vite | Vis | Schraube | |
| 5 | 22680006/1 | 4 | Washer | Rosetta | Rondelle | Scheibe | |
| 6 | 322399804/1 | 4 | Knob | Manopolina | Poignée | Griff | |
| 7 | 12293200/0 | 4 | Nut | Dado | Ecrou | Mutter | |
| 10 | 12760605/0 | 3 | Screw | Vite | Vis | Schraube | |
| 11 | 25038002/1 | 2 | Bush | Bussola | Douille | Buchse | |
| 12 | 12155000/0 | 2 | Nut | Dado | Ecrou | Mutter | |
| 13 | 322192156/0 | 1 | Fair Led | Fascetta | Fixation De Cable | Kabelbefestigung | |
| 14 | 12523040/0 | 1 | Washer | Rosetta | Rondelle | Scheibe | |
| 15 | 12154510/0 | 1 | Nut | Dado | Ecrou | Mutter | |
| 16 | 12369500/0 | 2 | Elastic Washer | Rosetta Elastica | Rondelle Elastique | Elastische Scheibe | |
| 17 | 381008686/0 | 1 | Outfit, Screws | Dotazione Viteria | Dotation Visserie | Satz, Schrauben | |



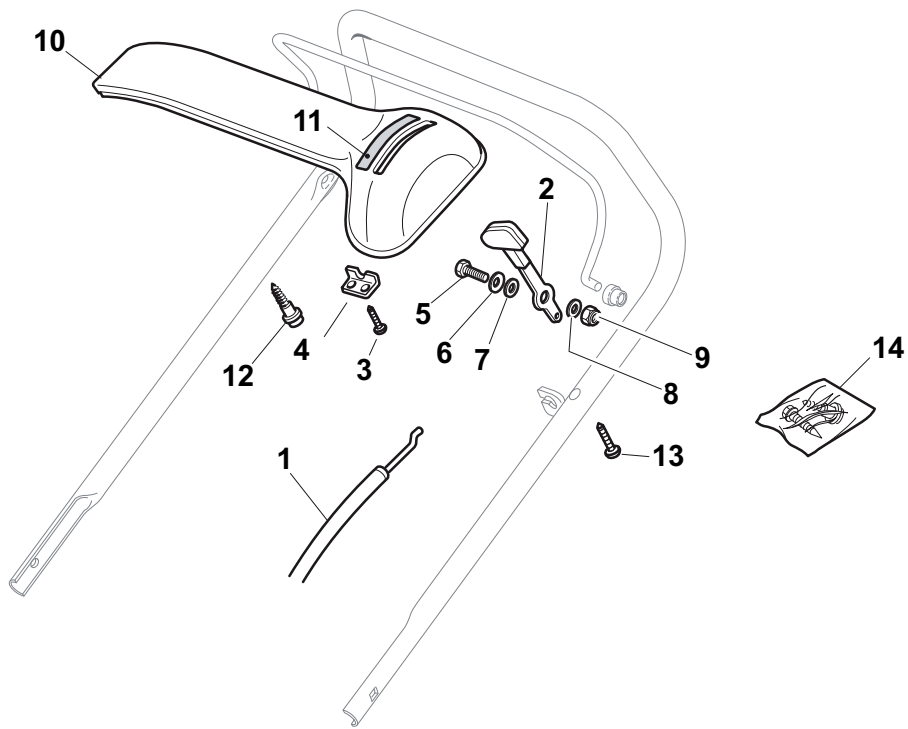
| POS | PART. NO | Q.ty | DESCRIPTION | DESCRIZIONE | DESCRIPTION | BESCHREIBUNG | REMARKS |
|-----|-------------|------|----------------|-------------------|---------------------|----------------|--------------|
| 1 | 181005501/1 | 1 | Throttle Cable | Cavo Acceleratore | Cable, Accelérateur | Gashebel Kabel | GGP |
| 1 | 181005501/1 | 1 | Throttle Cable | Cavo Acceleratore | Cable, Accelérateur | Gashebel Kabel | Honda |
| 1 | 181005502/1 | 1 | Throttle Cable | Cavo Acceleratore | Cable, Accelérateur | Gashebel Kabel | B&S |
| 1 | 181005503/1 | 1 | Throttle Cable | Cavo Acceleratore | Cable, Accelérateur | Gashebel Kabel | Honda AC |
| 1 | 181005504/1 | 1 | Throttle Cable | Cavo Acceleratore | Cable, Accelérateur | Gashebel Kabel | GGP150cc |
| 1 | 181005515/0 | 1 | Throttle Cable | Cavo Acceleratore | Cable, Accelérateur | Gashebel Kabel | B&S E Series |
| 1 | 181005537/0 | 1 | Throttle Cable | Cavo Acceleratore | Cable, Accelérateur | Gashebel Kabel | GGP100cc |
| 2 | 12735103/0 | 1 | Screw | Vite | Vis | Schraube | |
| 3 | 12523040/0 | 1 | Washer | Rosetta | Rondelle | Scheibe | |



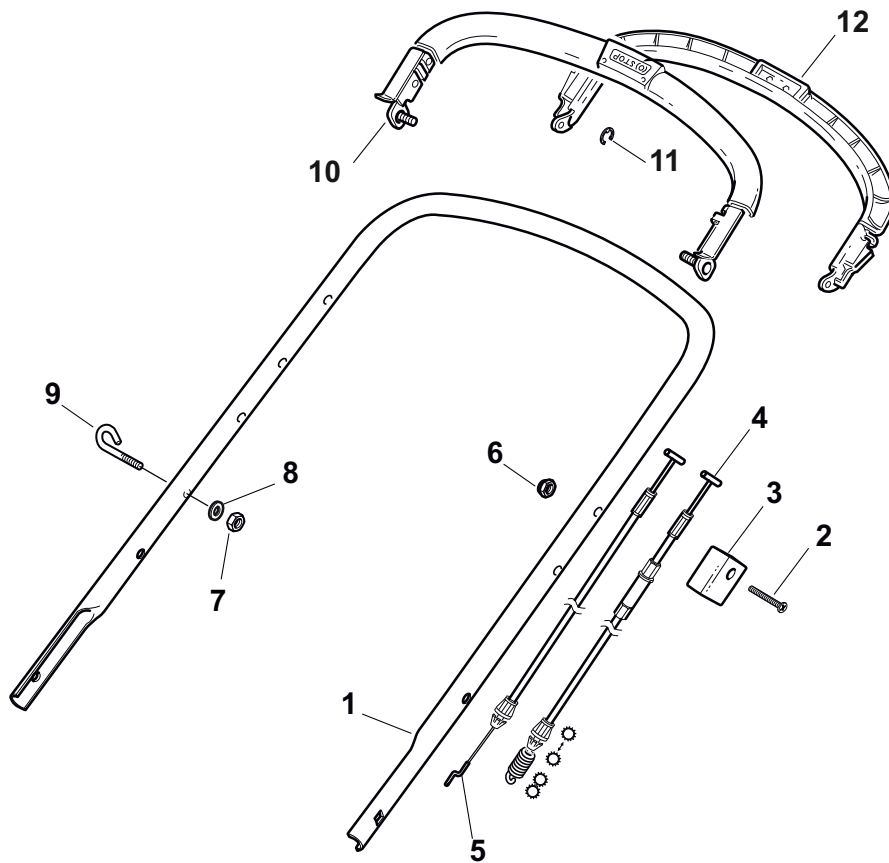
| POS | PART. NO | Q.ty | DESCRIPTION | DESCRIZIONE | DESCRIPTION | BESCHREIBUNG | REMARKS |
|-----|-------------|------|-------------------|---------------------|---------------------|----------------|-----------|
| 1 | 181005501/1 | 1 | Throttle Cable | Cavo Acceleratore | Cable, Accelérateur | Gashebel Kabel | GGP-Honda |
| 1 | 181005502/1 | 1 | Throttle Cable | Cavo Acceleratore | Cable, Accelérateur | Gashebel Kabel | B&S |
| 1 | 181005503/1 | 1 | Throttle Cable | Cavo Acceleratore | Cable, Accelérateur | Gashebel Kabel | Honda AC |
| 1 | 181005504/1 | 1 | Throttle Cable | Cavo Acceleratore | Cable, Accelérateur | Gashebel Kabel | GGP150cc |
| 1 | 181005515/0 | 1 | Throttle Cable | Cavo Acceleratore | Cable, Accelérateur | Gashebel Kabel | B&S 575 |
| 1 | 181005520/1 | 1 | Throttle Cable | Cavo Acceleratore | Cable, Accelérateur | Gashebel Kabel | DOV 750 |
| 1 | 181005523/0 | 1 | Throttle Cable | Cavo Acceleratore | Cable, Accelérateur | Gashebel Kabel | DOV 850 |
| 1 | 181005537/0 | 1 | Throttle Cable | Cavo Acceleratore | Cable, Accelérateur | Gashebel Kabel | GGP100cc |
| 2 | 112154510/0 | 1 | Nut | Dado | Ecrou | Mutter | |
| 3 | 112727788/0 | 1 | Screw | Vite | Vis | Schraube | |
| 4 | 322546055/0 | 1 | Plate | Piastrina | Plaquette | Plättchen | Red |
| 4 | 322546057/0 | 1 | Plate | Piastrina | Plaquette | Plättchen | Yellow |
| 5 | 322546054/0 | 1 | Plate | Piastrina | Plaquette | Plättchen | Red |
| 5 | 322546056/0 | 1 | Plate | Piastrina | Plaquette | Plättchen | Yellow |
| 6 | 322120190/0 | 1 | Dash Board Red | Cruscotto Rosso | Console Rouge | Konsole Rote | Red |
| 6 | 322120192/0 | 1 | Dash Board Cover | Copertura Cruscotto | Console Couverture | Konsole Haube | Yellow |
| 7 | 322120191/0 | 1 | Dash Board Yellow | Cruscotto Giallo | Console Jaune | Konsole Gelbe | |



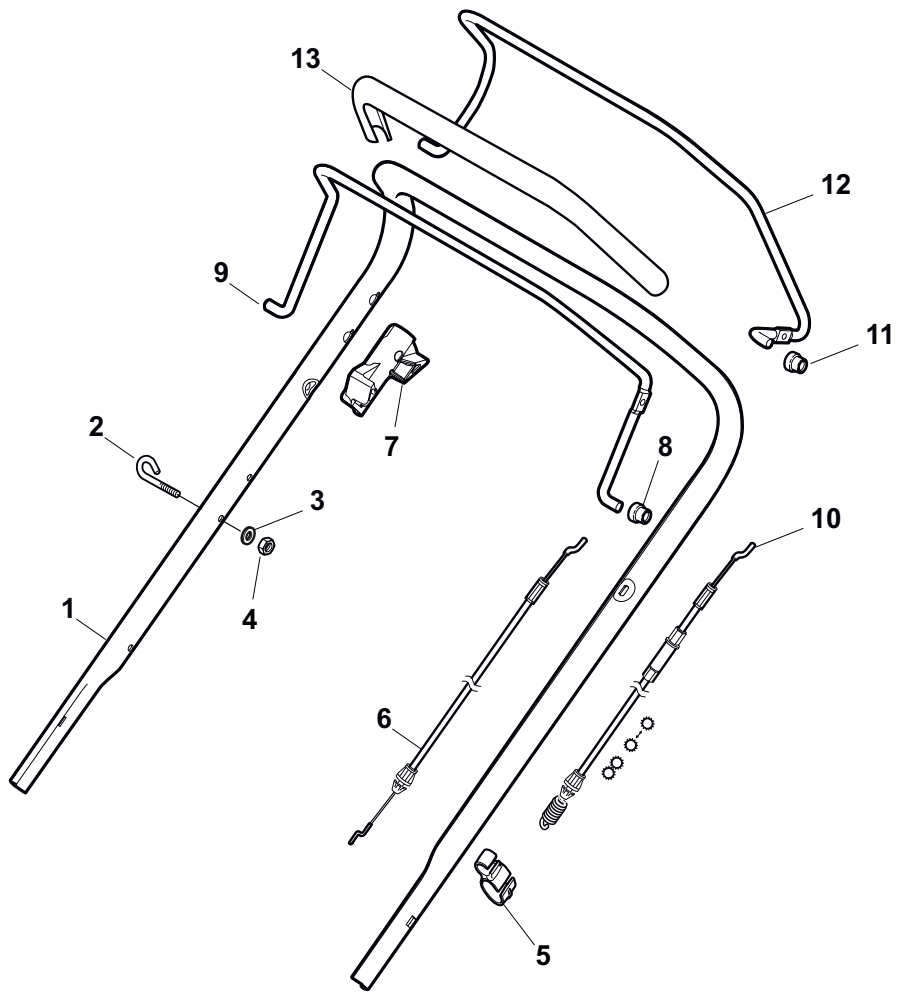
| POS | PART. NO | Q.ty | DESCRIPTION | DESCRIZIONE | DESCRIPTION | BESCHREIBUNG | REMARKS |
|-----|-------------|------|------------------------------|--------------------------------|-------------------------------|----------------------------|---------------------------|
| 1 | 81007160/0 | 1 | Throttle Cable | Cavo Acceleratore | Cable, Accelérateur | Gashebel Kabel | |
| 2 | 81007280/2 | 1 | Lever, Throttle | Leva, Acceleratore | Levier, | Hebel, Beshleuniger | B&S-GGP-Honda |
| 2 | 81007221/0 | 1 | Lever, Throttle | Leva, Acceleratore | Levier, | Hebel, Beshleuniger | GGP 150cc - B&S450-500 |
| 3 | 12735105/0 | 2 | Screw | Vite | Vis | Schraube | |
| 4 | 22981467/0 | 1 | Plate | Piastrina | Plaquette | Platte | |
| 5 | 12791500/0 | 1 | Screw | Vite | Vis | Schraube | |
| 6 | 12530060/0 | 1 | Elastic Washer | Rosetta Elastica | Rondelle Elastique | Elastische Scheibe | |
| 7 | 12523040/0 | 1 | Washer | Rosetta | Rondelle | Scheibe | |
| 8 | 12523040/0 | 1 | Washer | Rosetta | Rondelle | Scheibe | |
| 9 | 12154510/0 | 1 | Nut | Dado | Ecrou | Mutter | |
| 10 | 22120152/0 | 1 | Dash Board Yellow | Cruscotto Giallo | Console Jaune | Konsole Gelbe | |
| 10 | 22120154/0 | 1 | Dash Board Red | Cruscotto Rosso | Console Rouge | Konsole Rote | |
| 10 | 22120158/0 | 1 | Dash Board Black | Cruscotto Nero | Console Noire | Konsole Schwarze | |
| 11 | 114356744/1 | 1 | Label | Etichetta | Etiquette | Etikette | B&S |
| 11 | 114356906/1 | 1 | Label | Etichetta | Etiquette | Etikette | B&S DOV |
| 11 | 114356743/1 | 1 | Label | Etichetta | Etiquette | Etikette | GGP |
| 11 | 114356743/1 | 1 | Label | Etichetta | Etiquette | Etikette | Honda |
| 11 | 114357646/1 | 1 | Label | Etichetta | Etiquette | Etikette | Honda AC |
| 12 | 22943006/0 | 1 | Screw | Vite | Vis | Schraube | |
| 13 | 12728460/0 | 1 | Screw | Vite | Vis | Schraube | |
| 14 | 81008609/0 | 1 | Outfit, Dash-Board Screws | Dotazione Viteria Cruscotto | Dotation Visserie Consolle | Satz, Konsole Schrauben | |



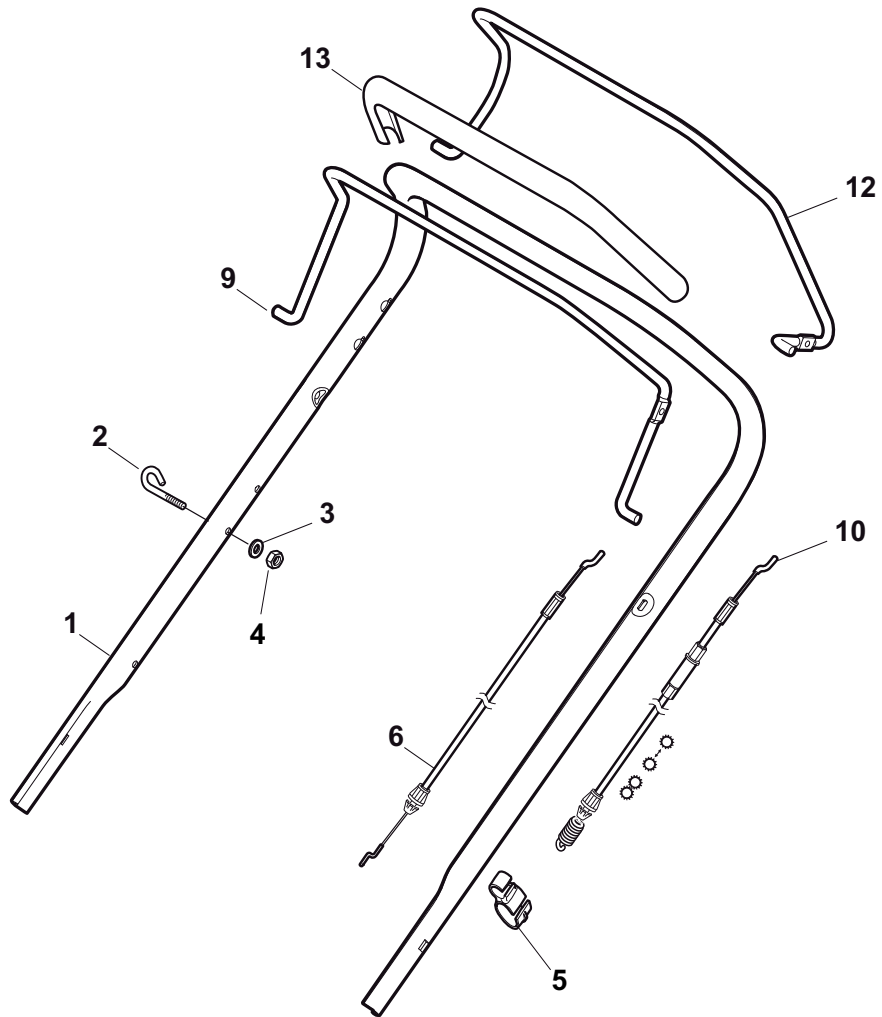
| POS | PART. NO | Q.ty | DESCRIPTION | DESCRIZIONE | DESCRIPTION | BESCHREIBUNG | REMARKS |
|-----|-------------|------|------------------------------|--------------------------------|------------------------------|----------------------------|---------------------------|
| 1 | 81007160/0 | 1 | Throttle Cable | Cavo Acceleratore | Cable, Accelérateur | Gashebel Kabel | |
| 2 | 81007280/2 | 1 | Lever, Throttle | Leva, Acceleratore | Levier, | Hebel, Beshleuniger | B&S-GGP-Honda |
| 2 | 81007221/0 | 1 | Lever, Throttle | Leva, Acceleratore | Levier, | Hebel, Beshleuniger | GGP 150cc - B&S450-500 |
| 3 | 12735105/0 | 2 | Screw | Vite | Vis | Schraube | |
| 4 | 22981467/0 | 1 | Plate | Piastrina | Plaquette | Platte | |
| 5 | 12791500/0 | 1 | Screw | Vite | Vis | Schraube | |
| 6 | 12530060/0 | 1 | Elastic Washer | Rosetta Elastica | Rondelle Elastique | Elastische Scheibe | |
| 7 | 12523040/0 | 1 | Washer | Rosetta | Rondelle | Scheibe | |
| 8 | 12523040/0 | 1 | Washer | Rosetta | Rondelle | Scheibe | |
| 9 | 12154510/0 | 1 | Nut | Dado | Ecrou | Mutter | |
| 10 | 322120189/0 | 1 | Dash Board Red | Cruscotto Rosso | Console Rouge | Konsole Rote | |
| 11 | 114356744/1 | 1 | Label | Etichetta | Etiquette | Etikette | B&S |
| 11 | 114356906/1 | 1 | Label | Etichetta | Etiquette | Etikette | B&S DOV |
| 11 | 114356743/1 | 1 | Label | Etichetta | Etiquette | Etikette | GGP |
| 11 | 114356743/1 | 1 | Label | Etichetta | Etiquette | Etikette | Honda |
| 11 | 114357646/1 | 1 | Label | Etichetta | Etiquette | Etikette | Honda AC |
| 12 | 22943006/0 | 1 | Screw | Vite | Vis | Schraube | |
| 13 | 12728460/0 | 1 | Screw | Vite | Vis | Schraube | |
| 14 | 81008609/0 | 1 | Outfit, Dash-Board Screws | Dotazione Viteria Cruscotto | Dotation Visserie Console | Satz, Konsole Schrauben | |



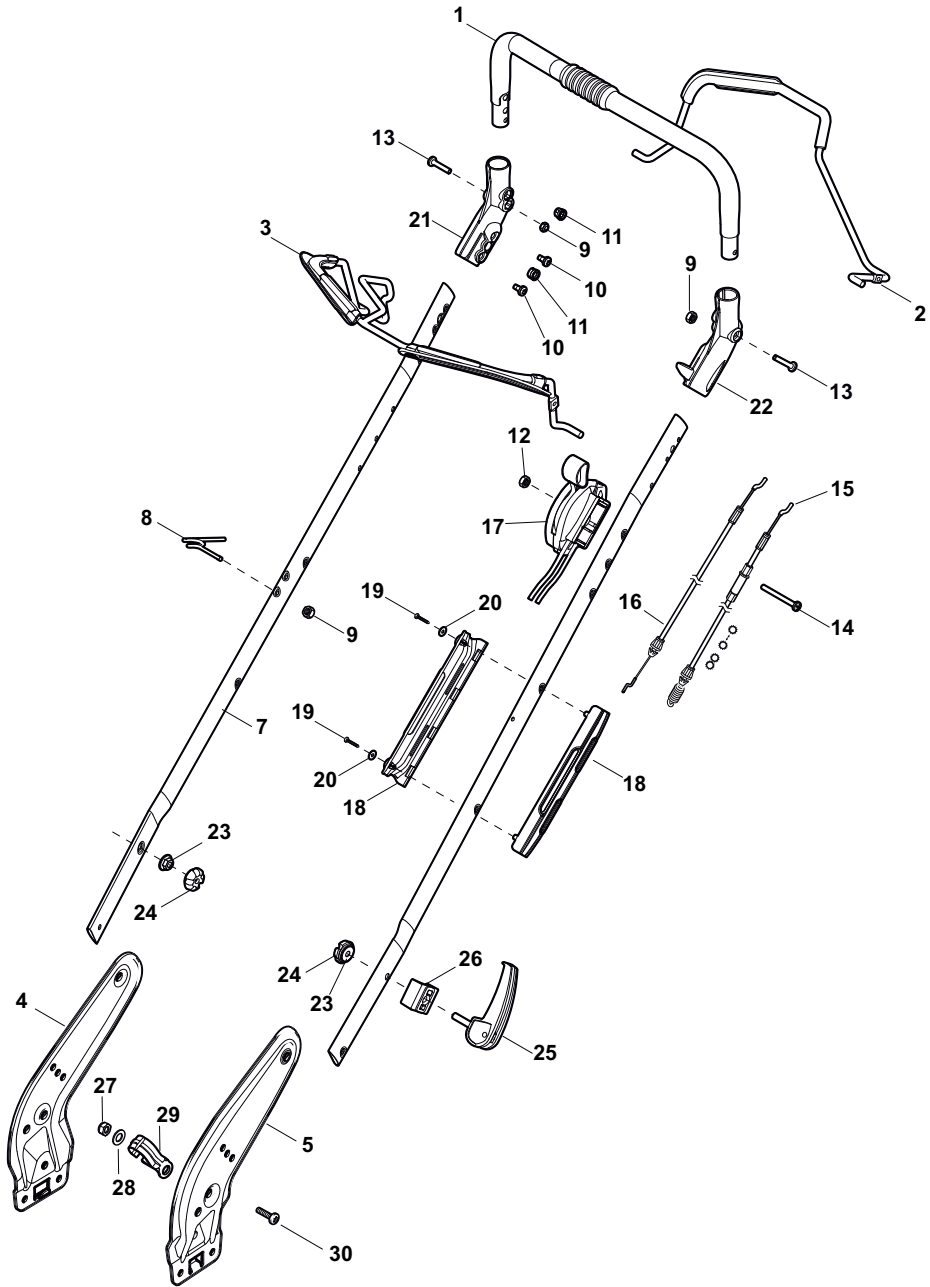
| POS | PART. NO | Q.ty | DESCRIPTION | DESCRIZIONE | DESCRIPTION | BESCHREIBUNG | REMARKS |
|-----|-------------|------|----------------------------|-----------------------|------------------------------|--------------------|---------------|
| 1 | 81006979/2 | 1 | Handle, Upper Part | Manico, Parte Sup | Mancheron, Partie Superieure | Holm, Oberteil | Black |
| 1 | 381006867/0 | 1 | Handle, Upper Part | Manico, Parte Sup | Mancheron, Partie Superieure | Holm, Oberteil | Grey |
| 2 | 12727787/0 | 1 | Screw | Vite | Vis | Schraube | |
| 3 | 22551640/0 | 1 | Plate | Piastrina | Plaquette | Plättchen | |
| 4 | 381030055/0 | 1 | Cable, Rear Drive | Cavo Comando Trazione | Câble, Comm. Traction | Kabel, Antrieb | |
| 5 | 181030056/0 | 1 | Cable, Thread Engine Brake | Cavo Freno Motore | Cable Frein Moteur | Kabel, Motorbremse | GGP150cc |
| 5 | 181030057/0 | 1 | Cable, Thread Engine Brake | Cavo Freno Motore | Cable Frein Moteur | Kabel, Motorbremse | GGP-B&S-Honda |
| 6 | 12154510/0 | 1 | Nut | Dado | Ecrou | Mutter | |
| 7 | 12154510/0 | 1 | Nut | Dado | Ecrou | Mutter | |
| 8 | 12521330/0 | 1 | Washer | Rosetta | Rondelle | Scheibe | |
| 9 | 22430313/0 | 1 | Guide Spring | Molla Guida | Ressort De Guide | Feder Führer | |
| 10 | 381003330/0 | 1 | Lever, Engine Brake | Leva Freno Motore | Levier Frein Moteur | Hebel, Motorbremse | |
| 11 | 81003297/1 | 1 | Driving Lever | Leva Trazione | Levier Traction | Antriebhebel | |
| 12 | 12000930/0 | 1 | Snap Ring | Anello Elastico | Anneau Ressort | Sprengring | |



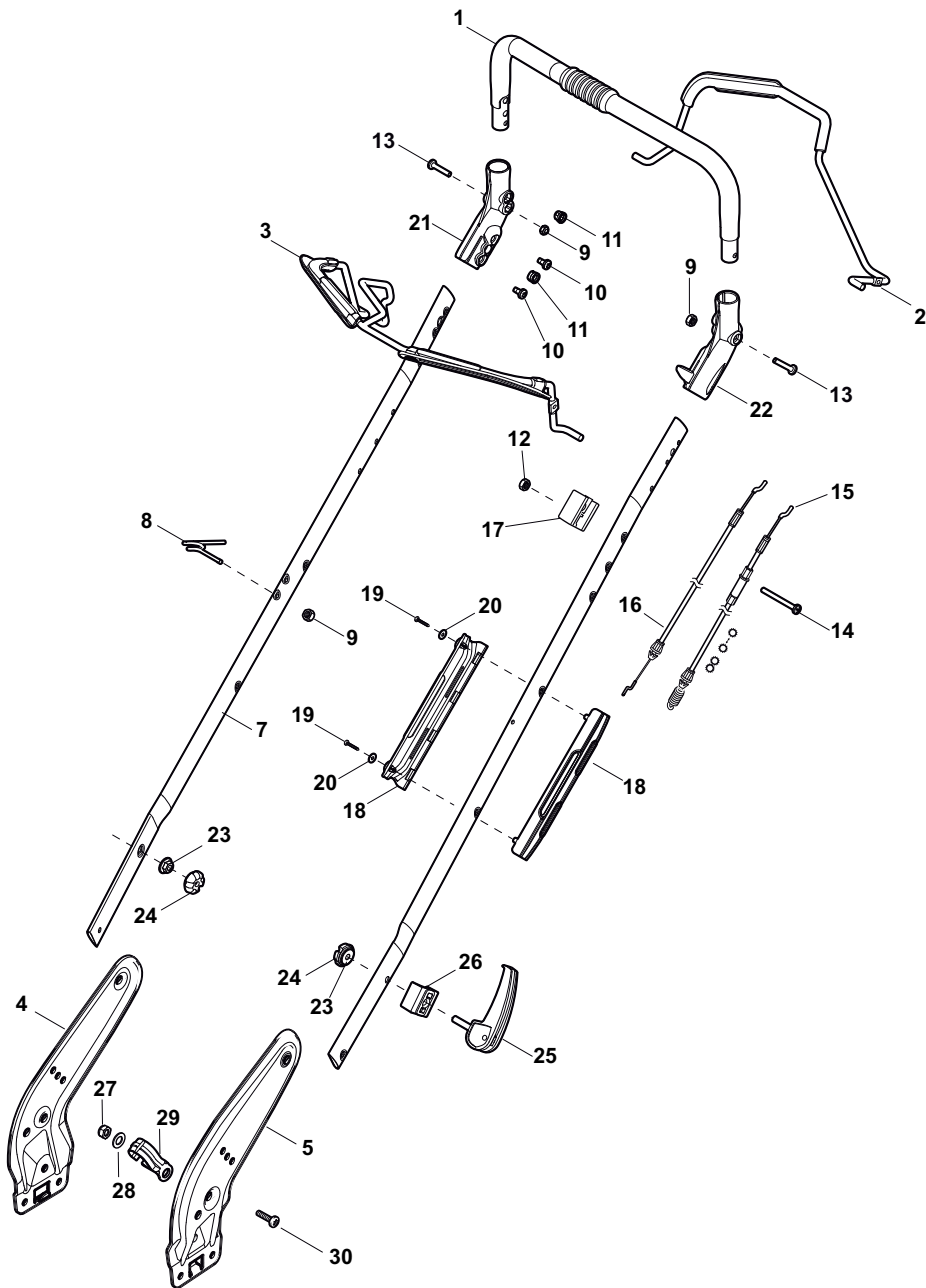
| POS | PART. NO | Q.ty | DESCRIPTION | DESCRIZIONE | DESCRIPTION | BESCHREIBUNG | REMARKS |
|-----|-------------|------|---|--|--|----------------------------------|--|
| 1 | 381007522/0 | 1 | Handle, Upper Part | Manico, Parte Sup | Mancheron, Partie Superieure | Holm, Oberteil | Black (for TD-CA Dashboard) |
| 1 | 381006838/0 | 1 | Handle, Upper Part | Manico, Parte Sup | Mancheron, Partie Superieure | Holm, Oberteil | Black (for NT Throttle or DELTA Dashboard) |
| 1 | 381006839/0 | 1 | Handle, Upper Part with sponge handgrip | Manico, Parte Sup. con impugnatura in spugna | Mancheron, Partie Superieure avec éponge poignée | Holm, Oberteil Handgriff Schwamm | Black (for NT Throttle or DELTA Dashboard) |
| 1 | 381007525/0 | 1 | Handle, Upper Part | Manico, Parte Sup. con impugnatura in spugna | Mancheron, Partie Superieure avec éponge poignée | Holm, Oberteil Handgriff Schwamm | Grey (for TD-CA Dashboard) |
| 2 | 22430313/0 | 1 | Guide Spring | Molla Guida | Ressort De Guide | Feder Führer | |
| 3 | 12521330/0 | 1 | Washer | Rosetta | Rondelle | Scheibe | |
| 4 | 12154510/0 | 1 | Nut | Dado | Ecrou | Mutter | |
| 5 | 118390020/0 | 1 | Fairlead | Fermacavo | Fixation Cable | Kabelbefestigung | |
| 6 | 181030053/0 | 1 | Cable, Thread Engine Brake | Cavo Freno Motore | Cable Frein Moteur | Kabel, Motorbremse | GGP-B&S |
| 6 | 181030070/0 | 1 | Cable, Thread Engine Brake | Cavo Freno Motore | Cable Frein Moteur | Kabel, Motorbremse | Honda |
| 7 | 322545204/0 | 1 | Fulcrum Pin | Fulcro | Point D'Appui | Gelenkpunkt | |
| 8 | 22041966/0 | 2 | Bush | Bussola | Douille | Buchse | |
| 9 | 181003300/1 | 1 | Lever, Engine Brake | Leva Freno Motore | Levier Frein Moteur | Hebel, Motorbremse | |
| 10 | 381030051/0 | 1 | Cable, Rear Drive | Cavo Comando Trazione | Câble, Commande Traction | Kabel, Antrieb | |
| 11 | 22041966/0 | 2 | Bush | Bussola | Douille | Buchse | |
| 12 | 181003301/1 | 1 | Lever, Driving | Leva Trazione | Levier Traction | Hebel, Antrieb | |
| 13 | 22291050/0 | 1 | Handgrip Black | Impugnatura Manico Nera | Poignée Noire | Handgriff Schwarz | |



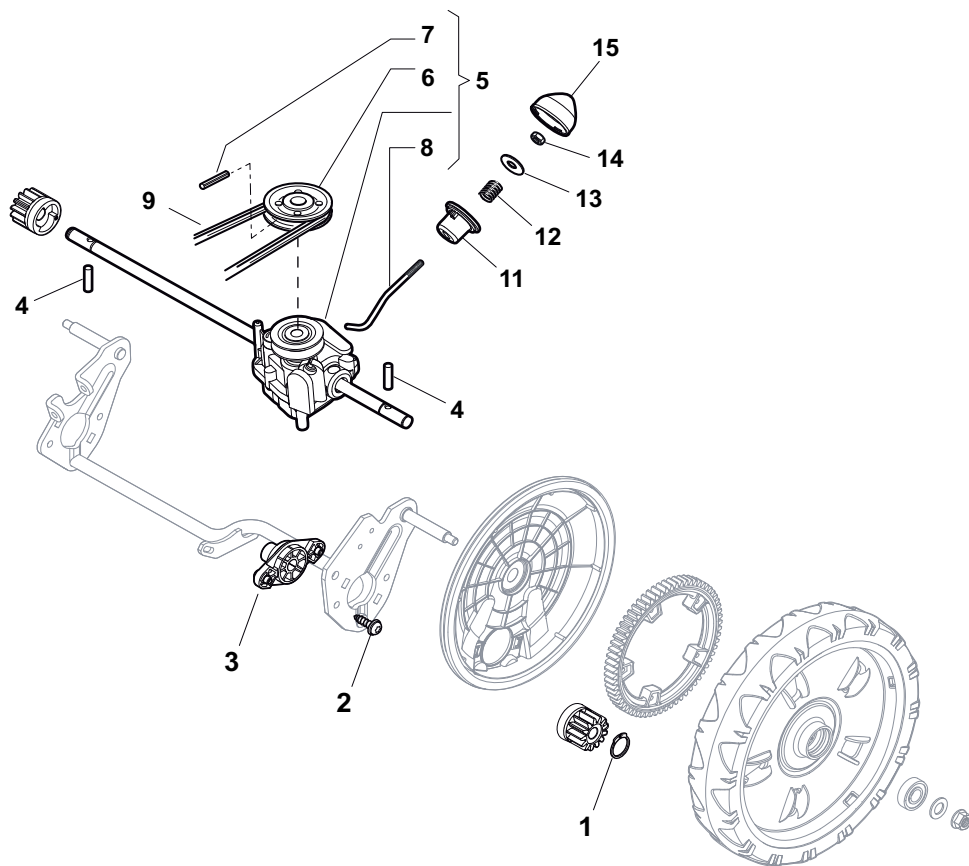
| POS | PART. NO | Q.ty | DESCRIPTION | DESCRIZIONE | DESCRIPTION | BESCHREIBUNG | REMARKS |
|-----|-------------|------|----------------------------|-------------------------|------------------------------|-----------------------------|----------|
| 1 | 381007520/0 | 1 | Handle, Upper Part | Manico, Parte Sup | Mancheron, Partie Superieure | Holm, Oberteil | |
| 2 | 22430313/0 | 1 | Guide Spring | Molla Guida | Ressort De Guide | Feder Führer | |
| 3 | 12521330/0 | 1 | Washer | Rosetta | Rondelle | Scheibe | |
| 4 | 12154510/0 | 1 | Nut | Dado | Ecrou | Mutter | |
| 5 | 118390020/0 | 1 | Fairlead | Fermacavo | Fixation Cable | Kabelbefestigung | |
| 6 | 181030053/0 | 1 | Cable, Thread Engine Brake | Cavo Freno Motore | Cable Frein Moteur | Kabel, Motorbremse | GGP-B&S |
| 6 | 181030054/0 | 1 | Cable, Thread Engine Brake | Cavo Freno Motore | Cable Frein Moteur | Kabel, Motorbremse | GGP150cc |
| 6 | 181030070/0 | 1 | Cable, Thread Engine Brake | Cavo Freno Motore | Cable Frein Moteur | Kabel, Motorbremse | Honda |
| 9 | 181003363/1 | 1 | Lever, Engine Brake Black | Leva Freno Motore Nero | Levier Frein Moteur Noire | Hebel, Motorbremse, Schwarz | |
| 10 | 381030051/0 | 1 | Cable, Rear Drive | Cavo Comando Trazione | Câble, Commande Traction | Kabel, Antrieb | |
| 12 | 181003364/0 | 1 | Lever, Driving Black | Leva Trazione Nero | Levier Traction Noire | Hebel, Antrieb Schwarz | |
| 13 | 22291050/0 | 1 | Handgrip Black | Impugnatura Manico Nera | Poignée Noire | Handgriff Schwarz | |



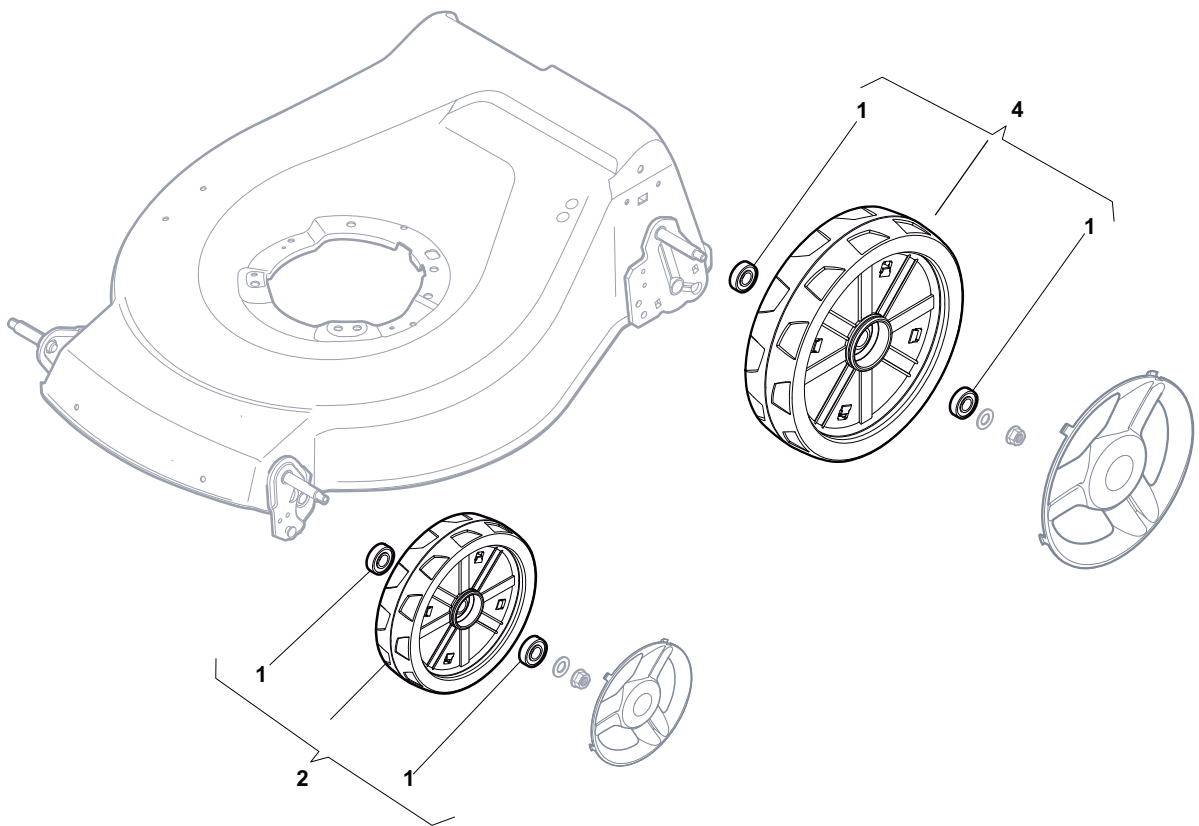
| POS | PART. NO | Q.ty | DESCRIPTION | DESCRIZIONE | DESCRIPTION | BESCHREIBUNG | REMARKS |
|-----|-------------|------|----------------------------|-----------------------|--------------------------|--------------------|-----------|
| 1 | 381006670/2 | 1 | Handgrip | Impugnatura Manico | Poignée | Handgriff | |
| 2 | 381003349/0 | 1 | Lever, Driving | Leva Trazione | Levier Traction | Hebel, Antrieb | |
| 3 | 381003344/0 | 1 | Lever, Engine Brake | Leva Freno Motore | Levier Frein Moteur | Hebel, Motorbremse | |
| 4 | 381005149/0 | 1 | Bracket, R | Staffa Dx | Bride D | Pratze, Rechte | |
| 5 | 381005151/0 | 1 | Bracket, L | Staffa Sx | Bride G | Pratze, Linke | |
| 7 | 381006773/0 | 2 | Handle Black | Manico Nero | Mancheron Noire | Holm Schwarz | |
| 7 | 381006774/0 | 2 | Handle Grey | Manico Grigio | Mancheron Gris | Holm Grau | |
| 8 | 22430309/0 | 1 | Guide Spring | Molla Guida | Ressort De Guide | Feder Führer | |
| 9 | 12154330/0 | 2 | Nut | Dado | Ecrou | Mutter | |
| 10 | 112735662/1 | 4 | Screw | Vite | Vis | Schraube | |
| 11 | 322041967/0 | 4 | Bush | Bussola | Douille | Buchse | |
| 12 | 12154510/0 | 3 | Nut | Dado | Ecrou | Mutter | |
| 13 | 112728721/0 | 2 | Screw | Vite | Vis | Schraube | |
| 14 | 12727786/0 | 1 | Screw | Vite | Vis | Schraube | |
| 15 | 381030067/0 | 1 | Cable, Rear Drive | Cavo Comando Trazione | Câble, Commande Traction | Kabel, Antrieb | |
| 16 | 181030074/0 | 1 | Cable, Thread Engine Brake | Cavo Freno Motore | Cable Frein Moteur | Kabel, Motorbremse | |
| 17 | 181005520/1 | 1 | Throttle Cable | Cavo Acceleratore | Cable, Accelérateur | Gashebel Kabel | B&S |
| 17 | 181005513/0 | 1 | Throttle Cable | Cavo Acceleratore | Cable, Accelérateur | Gashebel Kabel | Honda AC |
| 17 | 181005512/0 | 1 | Throttle Cable | Cavo Acceleratore | Cable, Accelérateur | Gashebel Kabel | GGP-Honda |
| 17 | 181005525/0 | 1 | Throttle Cable | Cavo Acceleratore | Cable, Accelérateur | Gashebel Kabel | B&S 575 |
| 18 | 322806644/0 | 1 | Protection | Protezione | Protection | Schutz | |
| 19 | 12727812/0 | 2 | Screw | Vite | Vis | Schraube | |
| 20 | 112523000/1 | 2 | Washer | Rosetta | Rondelle | Scheibe | |
| 21 | 322488301/0 | 1 | Support | Supporto | Support | Halter | |
| 22 | 322488303/0 | 1 | Support | Supporto | Support | Halter | |
| 23 | 112154220/0 | 2 | Nut | Dado | Ecrou | Mutter | |
| 24 | 322399835/0 | 2 | Knob | Manopolina | Poignée | Griff | |
| 25 | 381003253/0 | 2 | Handle | Maniglia | Poignee | Griff | |
| 26 | 322680017/0 | 2 | Support | Supporto | Support | Halter | |
| 27 | 12155000/0 | 1 | Nut | Dado | Ecrou | Mutter | |
| 28 | 25038002/1 | 1 | Bush | Bussola | Douille | Buchse | |
| 29 | 322192156/0 | 1 | Fair Led | Fascetta | Fixation De Cable | Kabelbefestigung | |
| 30 | 12760605/0 | 1 | Screw | Vite | Vis | Schraube | |



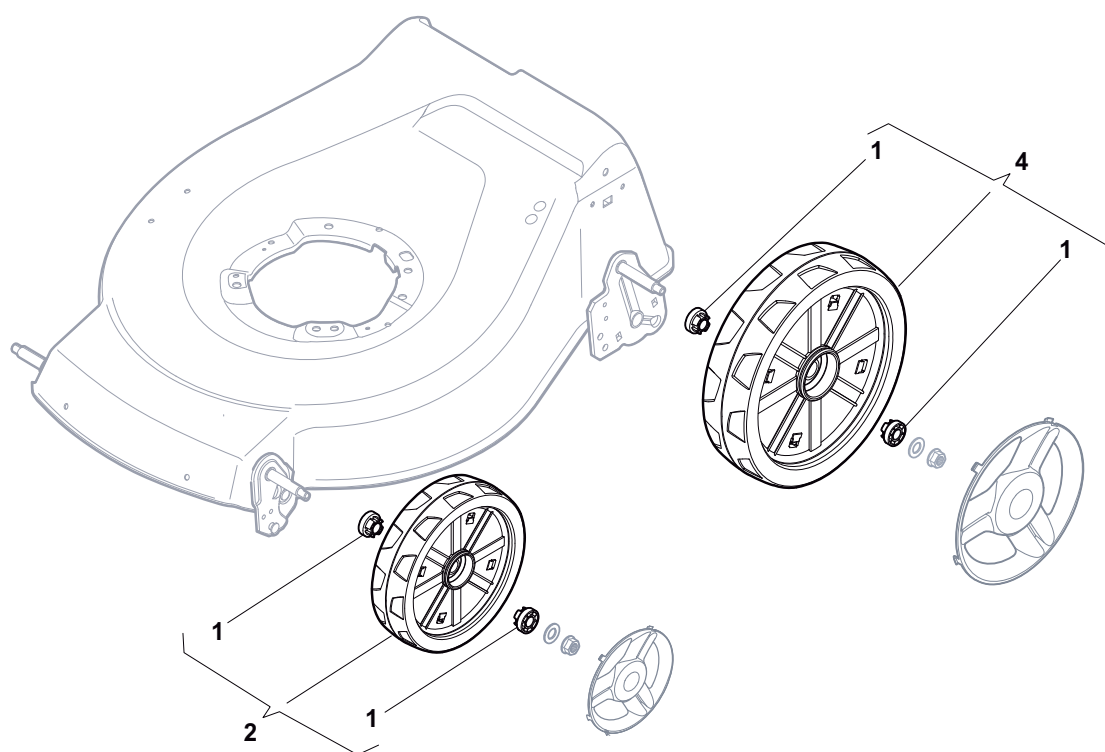
| POS | PART. NO | Q.ty | DESCRIPTION | DESCRIZIONE | DESCRIPTION | BESCHREIBUNG | REMARKS |
|-----|-------------|------|----------------------------|-----------------------|--------------------------|--------------------|---------|
| 1 | 381006670/2 | 1 | Handgrip | Impugnatura Manico | Poignée | Handgriff | |
| 2 | 381003349/0 | 1 | Lever, Driving | Leva Trazione | Levier Traction | Hebel, Antrieb | |
| 3 | 381003344/0 | 1 | Lever, Engine Brake | Leva Freno Motore | Levier Frein Moteur | Hebel, Motorbremse | |
| 4 | 381005149/0 | 1 | Bracket, R | Staffa Dx | Bride D | Pratze, Rechte | |
| 5 | 381005151/0 | 1 | Bracket, L | Staffa Sx | Bride G | Pratze, Linke | |
| 7 | 381006773/0 | 1 | Handle Black | Manico Nero | Mancheron Noire | Holm Schwarz | |
| 7 | 381006774/0 | 1 | Handle Grey | Manico Grigio | Mancheron Gris | Holm Grau | |
| 8 | 22430309/0 | 1 | Guide Spring | Molla Guida | Ressort De Guide | Feder Führer | |
| 9 | 12154330/0 | 2 | Nut | Dado | Ecrou | Mutter | |
| 10 | 112735662/1 | 4 | Screw | Vite | Vis | Schraube | |
| 11 | 322041967/1 | 4 | Bush | Bussola | Douille | Buchse | |
| 12 | 12154510/0 | 3 | Nut | Dado | Ecrou | Mutter | |
| 13 | 112728721/0 | 2 | Screw | Vite | Vis | Schraube | |
| 14 | 12727784/0 | 1 | Screw | Vite | Vis | Schraube | |
| 15 | 381030067/0 | 1 | Cable, Rear Drive | Cavo Comando Trazione | Câble, Commande Traction | Kabel, Antrieb | |
| 16 | 181030074/0 | 1 | Cable, Thread Engine Brake | Cavo Freno Motore | Cable Frein Moteur | Kabel, Motorbremse | |
| 17 | 322551639/0 | 1 | Plate | Piastrina | Plaquette | Plättchen | |
| 18 | 322806644/0 | 1 | Protection | Protezione | Protection | Schutz | |
| 19 | 12727812/0 | 2 | Screw | Vite | Vis | Schraube | |
| 20 | 112523000/1 | 2 | Washer | Rosetta | Rondelle | Scheibe | |
| 21 | 322488301/0 | 1 | Support | Supporto | Support | Halter | |
| 22 | 322488303/0 | 1 | Support | Supporto | Support | Halter | |
| 23 | 112154220/0 | 2 | Nut | Dado | Ecrou | Mutter | |
| 24 | 322399835/0 | 2 | Knob | Manopolina | Poignée | Griff | |
| 25 | 381003253/0 | 2 | Handle | Maniglia | Poignee | Griff | |
| 26 | 322680017/0 | 2 | Support | Supporto | Support | Halter | |
| 27 | 12155000/0 | 1 | Nut | Dado | Ecrou | Mutter | |
| 28 | 25038002/1 | 1 | Bush | Bussola | Douille | Buchse | |
| 29 | 322192156/0 | 1 | Fair Led | Fascetta | Fixation De Cable | Kabelbefestigung | |
| 30 | 12760605/0 | 1 | Screw | Vite | Vis | Schraube | |



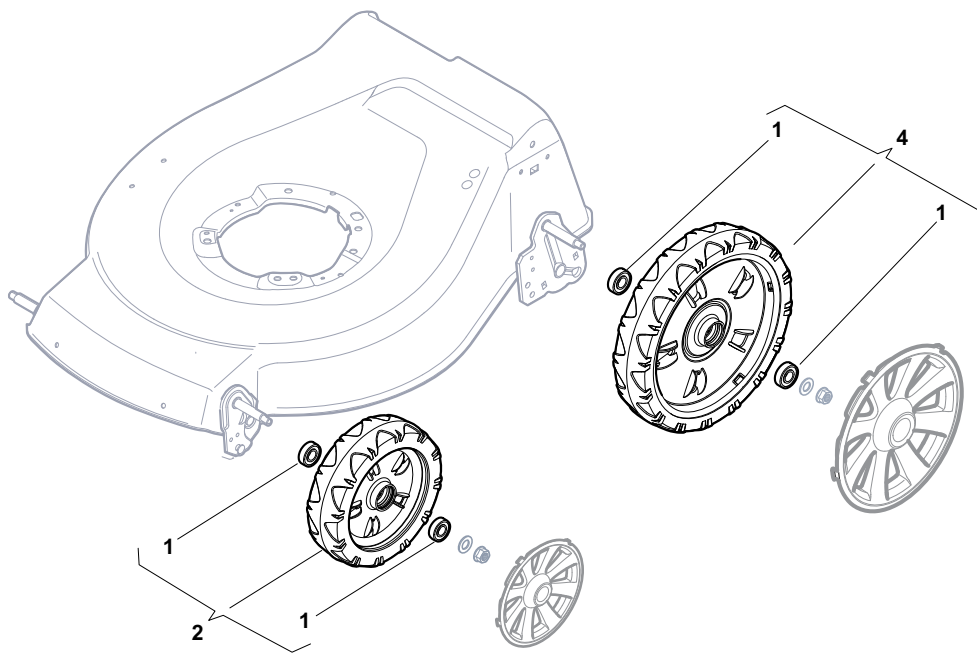
| POS | PART. NO | Q.ty | DESCRIPTION | DESCRIZIONE | DESCRIPTION | BESCHREIBUNG | REMARKS |
|-----|-------------|------|----------------|------------------|-----------------|-------------------|---------|
| 1 | 12608600/0 | 2 | Seeger | Seeger | Seeger | Seeger | |
| 2 | 112728697/0 | 4 | Screw | Vite | Vis | Schraube | |
| 3 | 322042063/0 | 2 | Bush | Bussola | Douille | Buchse | |
| 4 | 22753000/0 | 2 | Pin | Spina | Goupille | Stift | |
| 5 | 81003092/0 | 1 | Gear Box | Gruppo Trazione | Groupe Traction | Antrieb | |
| 6 | 22601909/0 | 1 | Pulley | Puleggia | Poulie | Riemenscheibe | |
| 7 | 12645700/0 | 1 | Pin | Spina | Goupille | Stift | |
| 8 | 22033283/0 | 1 | Adjustment Rod | Asta Regolazione | Tige Reglage | Verstellungstange | |
| 9 | 35063902/0 | 1 | Belt Z 29.5 | Cinghia Z 29.5 | Courroie Z 29.5 | Riemen Z 29.5 | |
| 11 | 22041957/1 | 1 | Bush | Bussola | Douille | Buchse | |
| 12 | 22450063/0 | 1 | Spring | Molla | Ressort | Feder | |
| 13 | 22680009/0 | 1 | Washer | Rosetta | Rondelle | Scheibe | |
| 14 | 12154510/0 | 1 | Nut | Dado | Ecrou | Mutter | |
| 15 | 22110230/0 | 1 | Cap | Tappo | Bouchon | Gummistopfen | |



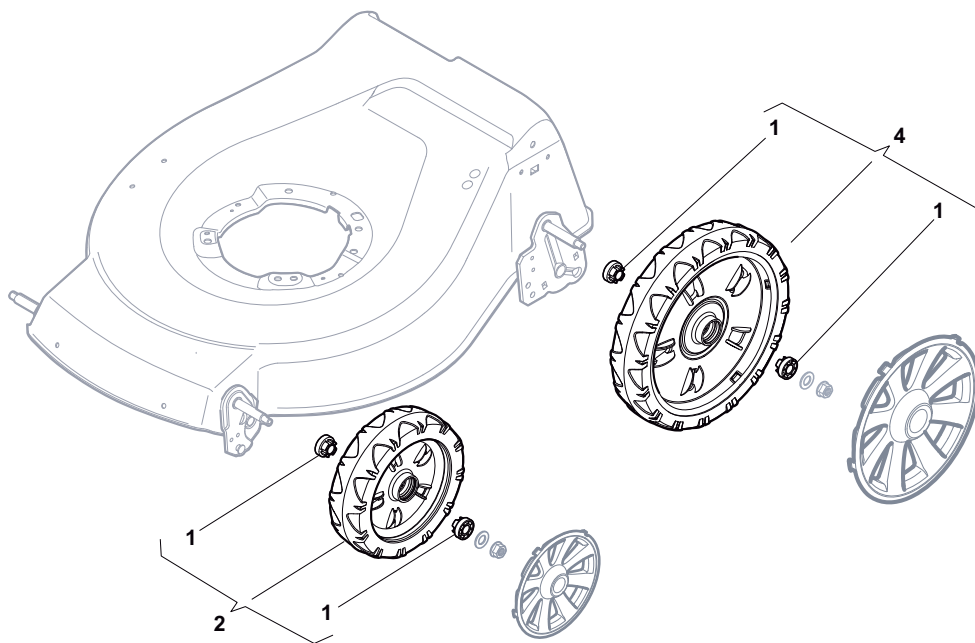
| POS | PART. NO | Q.ty | DESCRIPTION | DESCRIZIONE | DESCRIPTION | BESCHREIBUNG | REMARKS |
|-----|-------------|------|-------------|-------------|-------------|--------------|---------|
| 1 | 119216035/0 | 2 | Bearing | Cuscinetto | Coussinet | Lager | |
| 2 | 381007483/0 | 4 | Wheel Ø 200 | Ruota Ø 200 | Roue Ø 200 | Rad Ø 200 | |
| 4 | 381007478/0 | 4 | Wheel Ø 280 | Ruota Ø 280 | Roue Ø 280 | Rad Ø 280 | |



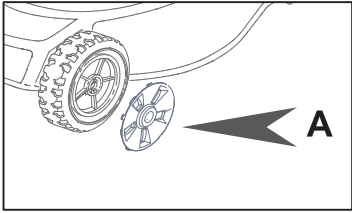
| POS | PART. NO | Q.ty | DESCRIPTION | DESCRIZIONE | DESCRIPTION | BESCHREIBUNG | REMARKS |
|-----|-------------|------|-------------|-------------|-------------|--------------|---------|
| 1 | 322042064/0 | 8 | Bush | Bussola | Douille | Buchse | |
| 2 | 381007481/0 | 4 | Wheel Ø 200 | Ruota Ø 200 | Roue Ø 200 | Rad Ø 200 | |
| 4 | 381007485/0 | 4 | Wheel Ø 280 | Ruota Ø 280 | Roue Ø 280 | Rad Ø 280 | |



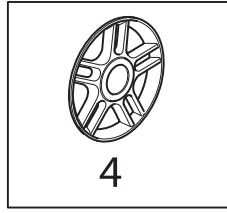
| POS | PART. NO | Q.ty | DESCRIPTION | DESCRIZIONE | DESCRIPTION | BESCHREIBUNG | REMARKS |
|-----|-------------|------|-------------|-------------|-------------|--------------|---------|
| 1 | 19216035/0 | 8 | Bearing | Cuscinetto | Coussinet | Lager | |
| 2 | 381007416/1 | 4 | Wheel Ø 200 | Ruota Ø 200 | Roue Ø 200 | Rad Ø 200 | |
| 4 | 381007417/1 | 4 | Wheel Ø 280 | Ruota Ø 280 | Roue Ø 280 | Rad Ø 280 | |



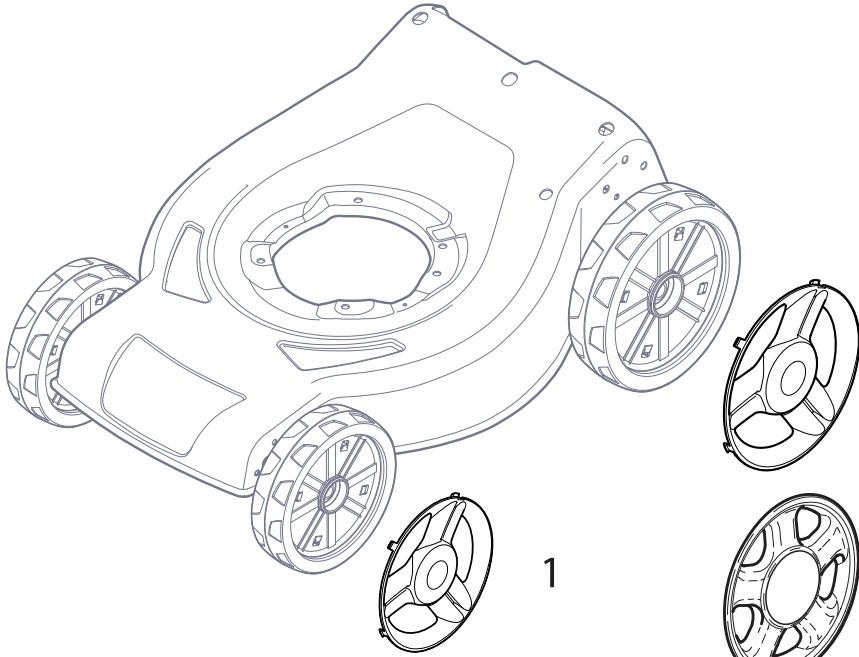
| POS | PART. NO | Q.ty | DESCRIPTION | DESCRIZIONE | DESCRIPTION | BESCHREIBUNG | REMARKS |
|-----|-------------|------|-------------|-------------|-------------|--------------|---------|
| 1 | 322042063/0 | 8 | Bush | Bussola | Douille | Buchse | |
| 2 | 381007435/0 | 4 | Wheel Ø 200 | Ruota Ø 200 | Roue Ø 200 | Rad Ø 200 | |
| 4 | 381007436/0 | 4 | Wheel Ø 280 | Ruota Ø 280 | Roue Ø 280 | Rad Ø 280 | |



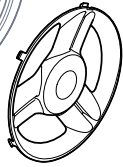
+



= A4



1 ← B



1



2

A →



2



3



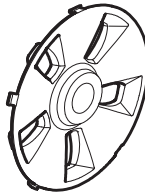
3



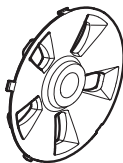
4



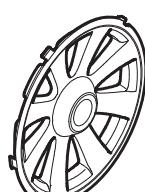
4



5



5

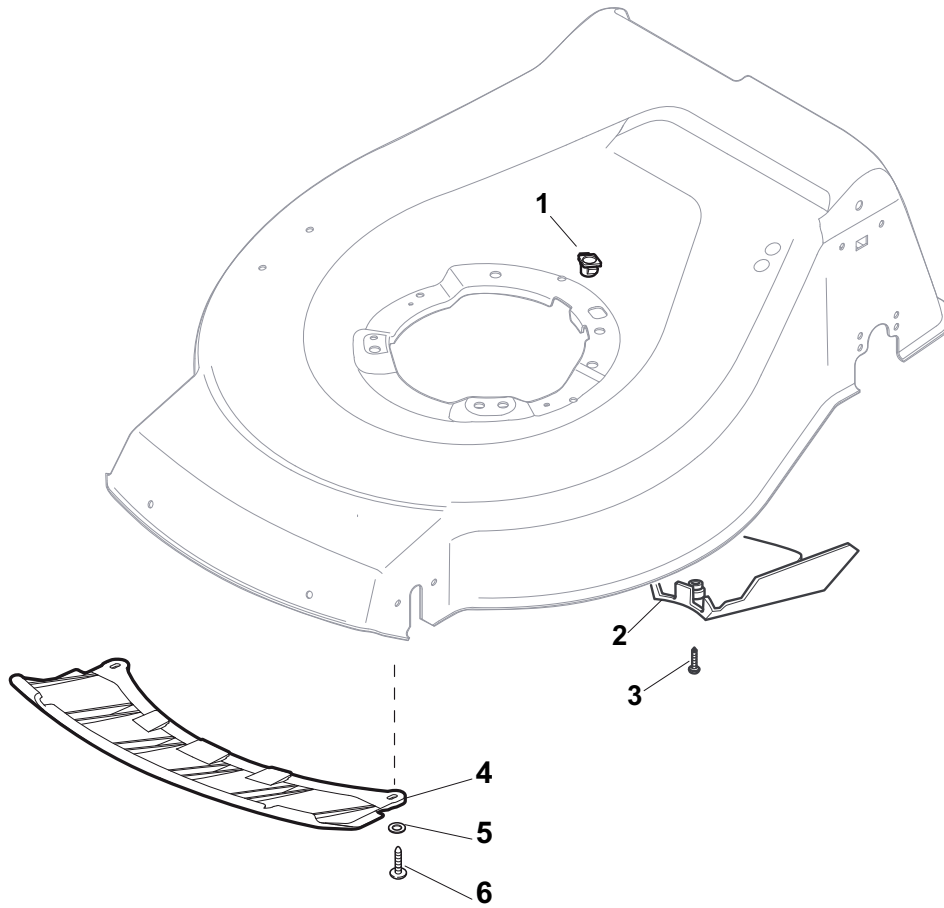


6

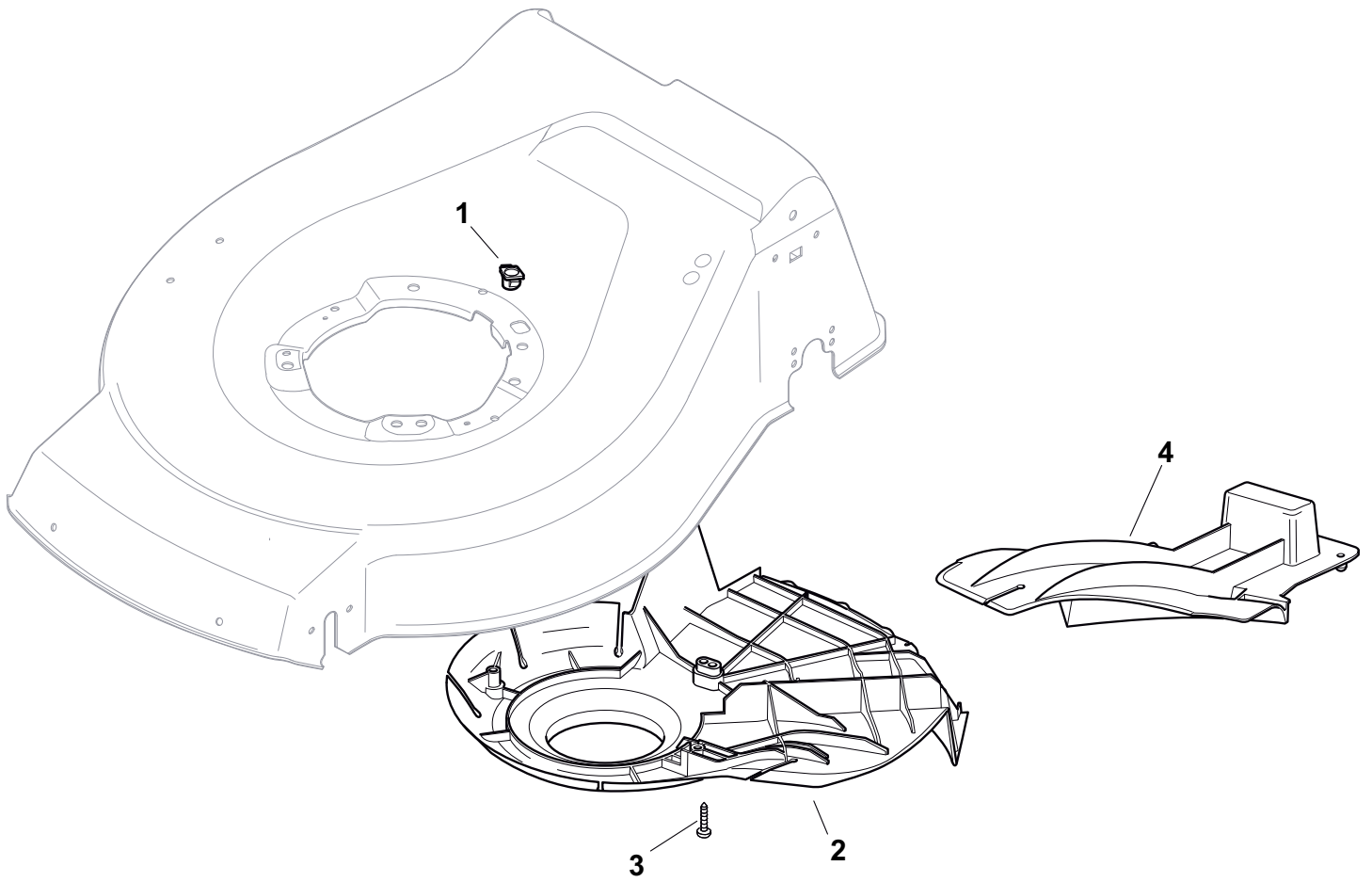


6

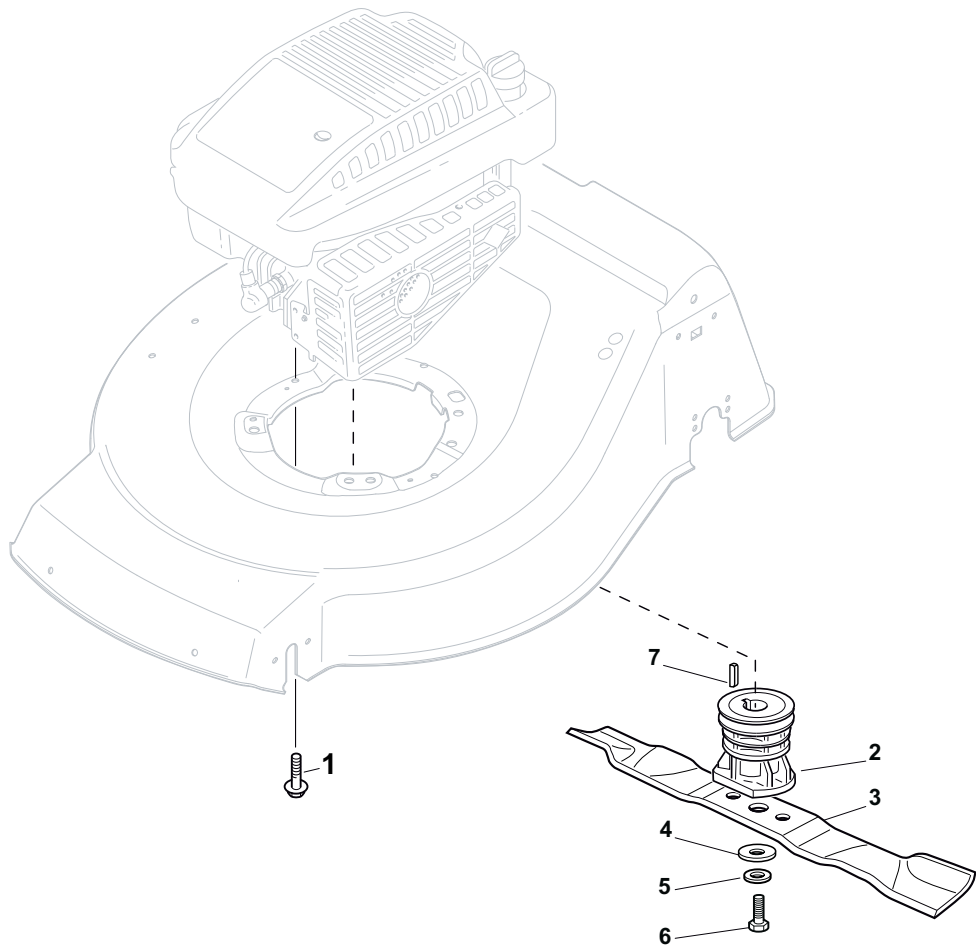
| POS | PART. NO | Q.ty | DESCRIPTION | DESCRIZIONE | DESCRIPTION | BESCHREIBUNG | REMARKS |
|-----|-------------|------|--------------|-------------------|--------------|--------------|---------|
| A1 | 322110687/0 | 2 | Hub Cap Grey | Coprимozzo Grigio | Couvre-Moyeu | Radkappe | |
| A2 | 22110382/0 | 2 | Hub Cap Grey | Coprимozzo Grigio | Couvre-Moyeu | Radkappe | |
| A3 | 22110417/0 | 2 | Hub Cap Grey | Coprимozzo Grigio | Couvre-Moyeu | Radkappe | |
| A4 | 22110492/0 | 2 | Hub Cap Grey | Coprимozzo Grigio | Couvre-Moyeu | Radkappe | |
| A5 | 322110643/0 | 2 | Hub Cap Grey | Coprимozzo Grigio | Couvre-Moyeu | Radkappe | |
| A6 | 322110645/0 | 2 | Hub Cap Grey | Coprимozzo Grigio | Couvre-Moyeu | Radkappe | |
| B1 | 322110641/0 | 2 | Hub Cap Grey | Coprимozzo Grigio | Couvre-Moyeu | Radkappe | |
| B2 | 22110511/0 | 2 | Hub Cap Grey | Coprимozzo Grigio | Couvre-Moyeu | Radkappe | |
| B3 | 322110590/0 | 2 | Hub Cap Grey | Coprимozzo Grigio | Couvre-Moyeu | Radkappe | |
| B4 | 22110560/0 | 2 | Hub Cap Grey | Coprимozzo Grigio | Couvre-Moyeu | Radkappe | |
| B5 | 322110644/0 | 2 | Hub Cap Grey | Coprимozzo Grigio | Couvre-Moyeu | Radkappe | |
| B6 | 322110646/0 | 2 | Hub Cap Grey | Coprимozzo Grigio | Couvre-Moyeu | Radkappe | |



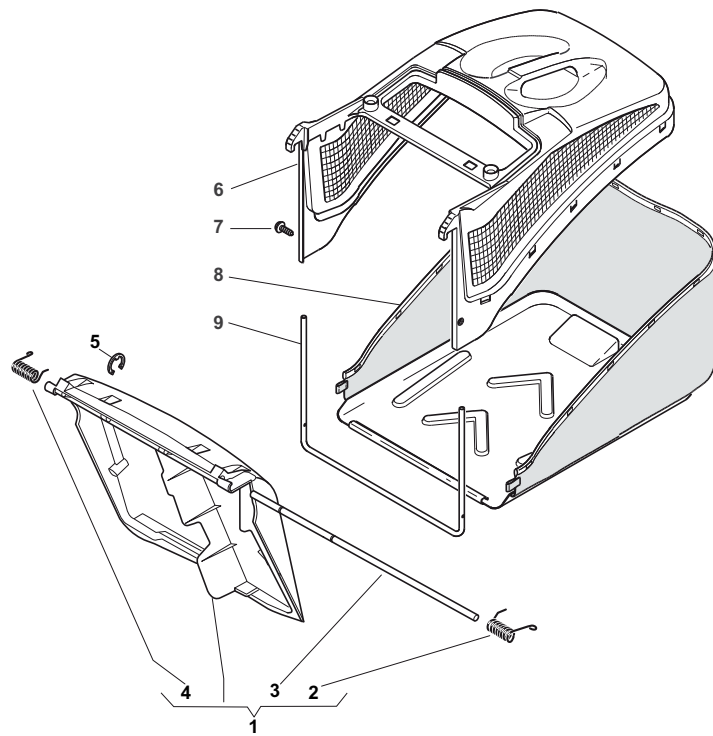
| POS | PART. NO | Q.ty | DESCRIPTION | DESCRIZIONE | DESCRIPTION | BESCHREIBUNG | REMARKS |
|-----|------------|------|------------------|------------------|-------------|----------------|---------|
| 1 | 22291150/0 | 1 | Rubber Insert | Inserto In Gomma | Insert De | Gummi Einsatz | |
| 2 | 22060192/0 | 1 | Protection, Belt | Carter Cinghia | Protection | Schutz, Riemen | |
| 3 | 12728530/0 | 1 | Screw | Vite | Vis | Schraube | |



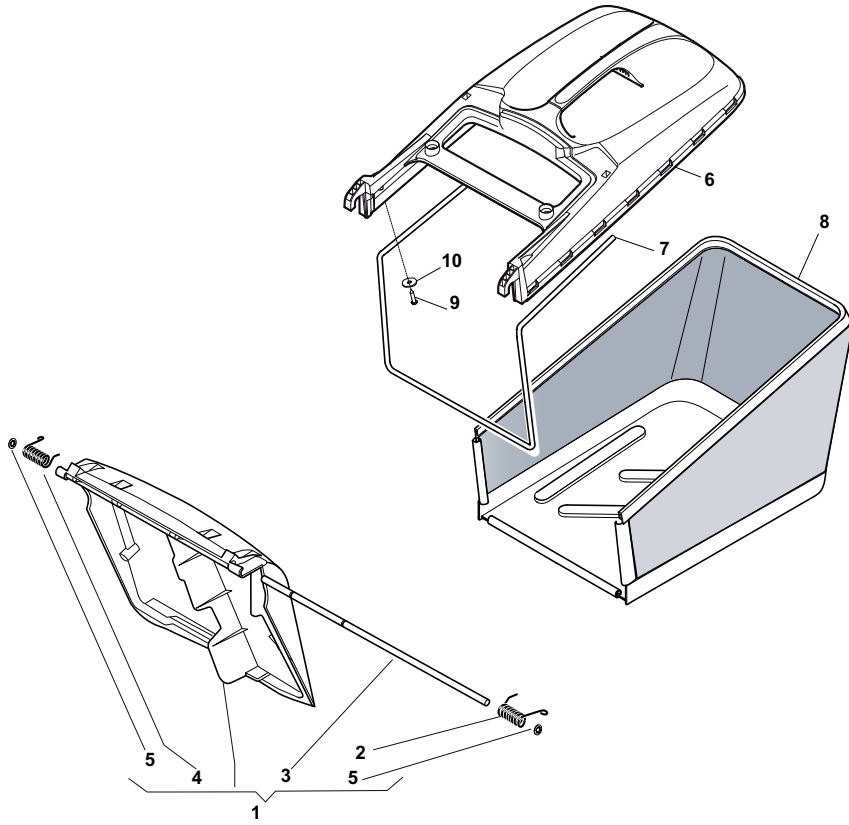
| POS | PART. NO | Q.ty | DESCRIPTION | DESCRIZIONE | DESCRIPTION | BESCHREIBUNG | REMARKS |
|-----|-------------|------|------------------|------------------|-------------|----------------|---------|
| 1 | 22291150/0 | 1 | Rubber Insert | Inserto In Gomma | Insert De | Gummi Einsatz | |
| 2 | 322060197/3 | 1 | Protection, Belt | Carter Cinghia | Protection | Schutz, Riemen | |
| 3 | 12728530/0 | 3 | Screw | Vite | Vis | Schraube | |
| 4 | 22140222/0 | 1 | Deflector | Deflettore | Deflecteur | Deflektor | |



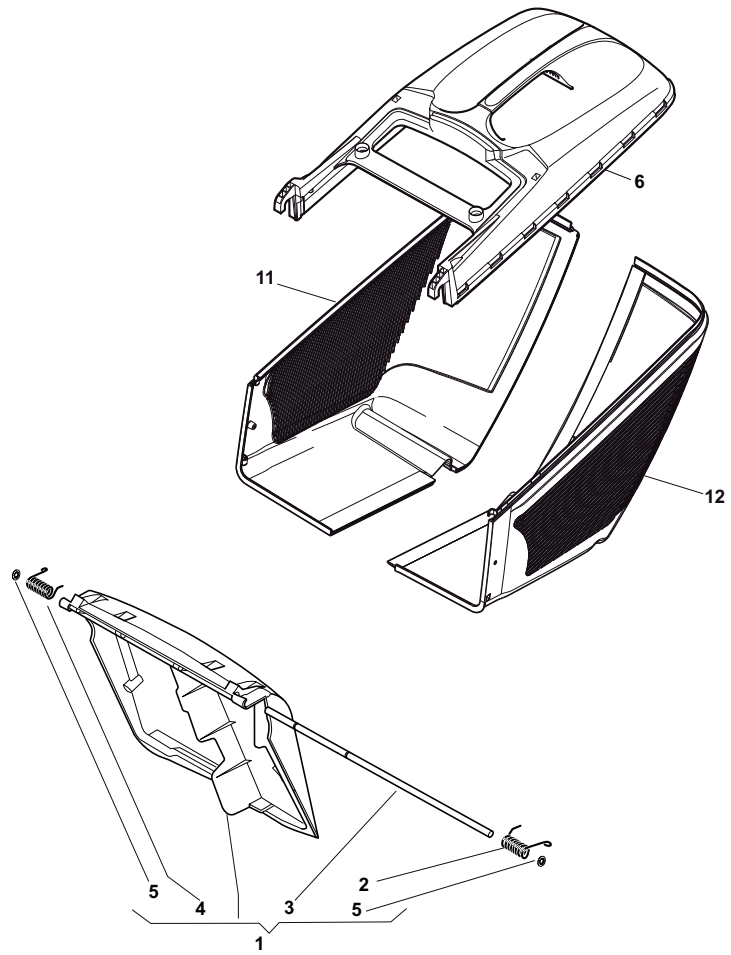
| POS | PART. NO | Q.ty | DESCRIPTION | DESCRIZIONE | DESCRIPTION | BESCHREIBUNG | REMARKS |
|-----|-------------|------|----------------------------|---------------------------------|-------------------------------|---------------------------|---------------|
| 1 | 112735109/1 | 1 | Screw | Vite | Vis | Schraube | B&S-GGP-Honda |
| 1 | 112735108/1 | 2 | Screw | Vite | Vis | Schraube | GGP 196cc |
| 1 | 112735108/1 | 3 | Screw | Vite | Vis | Schraube | GGP 196cc |
| 2 | 122465607/3 | 1 | Hub, Crankshaft Ø 22.2 | Mozzo, Albero Motore Ø 22.2 | Moyeu, Arbre Moteur Ø 22.2 | Halter, Motorwelle Ø 22.2 | B&S-GGP |
| 2 | 122465608/2 | 1 | Hub, Crankshaft Ø 25 | Mozzo, Albero Motore Ø 25 | Moyeu, Arbre Moteur Ø 25 | Halter, Motorwelle Ø 25 | Honda |
| 3 | 181004458/0 | 1 | Blade Standard | Coltello Standard | Lame Standard | Messer Standard | |
| 3 | 81004381/1 | 1 | Blade Standard | Coltello Standard | Lame Standard | Messer Standard | |
| 4 | 22160400/0 | 1 | Elastic Washer | Disco Elastico | Rondelle Elastique | Elastischescheibe | |
| 5 | 12523080/0 | 1 | Washer | Rosetta | Rondelle | Scheibe | |
| 6 | 12735698/0 | 1 | Screw | Vite | Vis | Schraube | |
| 7 | 12139100/0 | 1 | Feather, Crankshaft Ø 22.2 | Linguetta, Albero Motore Ø 22.2 | Clavette, Arbre Moteur Ø 22.2 | Keil, Motorwelle Ø 22.2 | B&S-GGP |
| 7 | 12139150/0 | 1 | Feather, Crankshaft Ø 25 | Linguetta, Albero Motore Ø 25 | Clavette, Arbre Moteur Ø 25 | Keil, Motorwelle Ø 25 | Honda |



| POS | PART. NO | Q.ty | DESCRIPTION | DESCRIZIONE | DESCRIPTION | BESCHREIBUNG | REMARKS |
|-----|-------------|------|------------------|------------------|-------------------|----------------|---------|
| 1 | 381008021/2 | 1 | Stone-Guard | Parasassi | Pare-Pierres | Prallblech | |
| 2 | 22450420/1 | 1 | R Spring | Molla Dx | Ressort D | Rechte Feder | |
| 3 | 22517906/1 | 1 | Pin | Perno | Pivot | Bolzen | |
| 4 | 22450410/1 | 1 | L Spring | Molla Sx | Ressort G | Linke Feder | |
| 5 | 12000930/0 | 1 | Snap Ring | Anello Elastico | Anneau Ressort | Sprengring | |
| 6 | 22486093/0 | 1 | Grass-Box, Upper | Sacco, Parte Sup | Sac, Partie | Korb, Oberteil | |
| 7 | 12728445/0 | 2 | Screw | Vite | Vis | Schraube | |
| 8 | 81002195/0 | 1 | Box, Fabric | Sacco, Tela | Sac, Toile | Sack, Tuck | |
| 9 | 22608523/0 | 1 | Stiffening Lower | Rinforzo Inf | Réinforcement Inf | Verstärkung | |



| POS | PART. NO | Q.ty | DESCRIPTION | DESCRIZIONE | DESCRIPTION | BESCHREIBUNG | REMARKS |
|-----|-------------|------|------------------|------------------|------------------------|----------------|---------|
| 1 | 381008081/2 | 1 | Stone-Guard | Parasassi | Pare-Pierres | Prallblech | |
| 2 | 122450466/0 | 1 | L Spring | Molla Sx | Ressort G | Linke Feder | |
| 3 | 122517882/0 | 1 | Pin | Perno | Pivot | Bolzen | |
| 4 | 122450465/0 | 1 | R Spring | Molla Dx | Ressort D | Rechte Feder | |
| 6 | 22486101/0 | 1 | Grass-Box, Upper | Sacco, Parte Sup | Sac, Partie Superieure | Korb, Oberteil | |
| 7 | 22608525/0 | 1 | Stiffening Lower | Rinforzo Inf | Réinforcement Inf | Verstärkung | |
| 8 | 81002211/0 | 1 | Box, Fabric | Sacco, Tela | Sac, Toile | Sack, Tuck | |
| 9 | 12728680/0 | 2 | Screw | Vite | Vis | Schraube | |
| 10 | 12523050/0 | 2 | Washer | Rosetta | Rondelle | Scheibe | |



| POS | PART. NO | Q.ty | DESCRIPTION | DESCRIZIONE | DESCRIPTION | BESCHREIBUNG | REMARKS |
|-----|-------------|------|--------------------|---------------------|--------------------|-------------------|---------|
| 1 | 381008081/2 | 1 | Stone-Guard | Parasassi | Pare-Pierres | Prallblech | |
| 2 | 122450466/0 | 1 | L Spring | Molla Sx | Ressort G | Linke Feder | |
| 3 | 122517882/0 | 1 | Pin | Perno | Pivot | Bolzen | |
| 4 | 122450465/0 | 1 | R Spring | Molla Dx | Ressort D | Rechte Feder | |
| 6 | 22486101/0 | 1 | Grass-Box, Upper | Sacco, Parte Sup | Sac, Partie | Korb, Oberteil | |
| 11 | 322486150/1 | 1 | Grass-Box, R Lower | Sacco, Parte Inf Dx | Sac, Partie Inf. D | Korb, R Unterteil | |
| 12 | 322486151/1 | 1 | Grass-Box, L Lower | Sacco, Parte Inf Sx | Sac, Partie Inf. G | Korb, L Unterteil | |