

GENUINE SPARE PARTS

ONE 122 YH

- Use GLOBAL GARDEN PRODUCT Genuine Spare Parts specified in the parts list for repair and/or replacement.
- The contents described in the parts list may change due to improvement.
- The drawings of the spare parts are only indicative and might not represent the part in question exactly.
- The indications "right" - "left" - "front" - "rear" refer to the position of the operator when using the machine.
- When placing orders of parts for repair and/or replacement, make sure that the illustrated parts list is the one applying to the machine's year of manufacture, as shown on the identification plate attached to the machine.

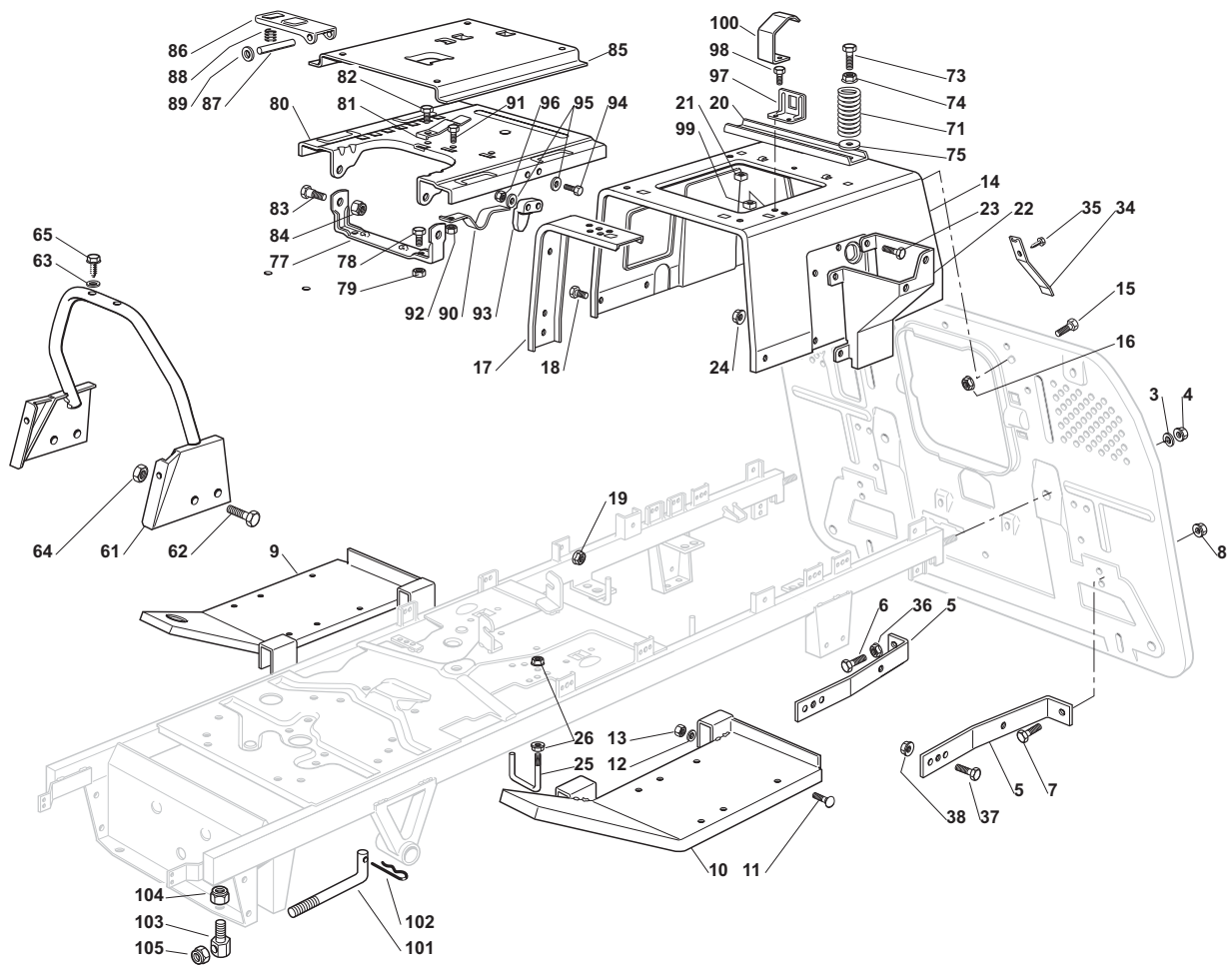
© Copyright 2012 Global Garden Products

All content is subject to copyright by Global Garden Products and may not be reproduced in whole or in part by any means, electronic or otherwise, without prior written approval.

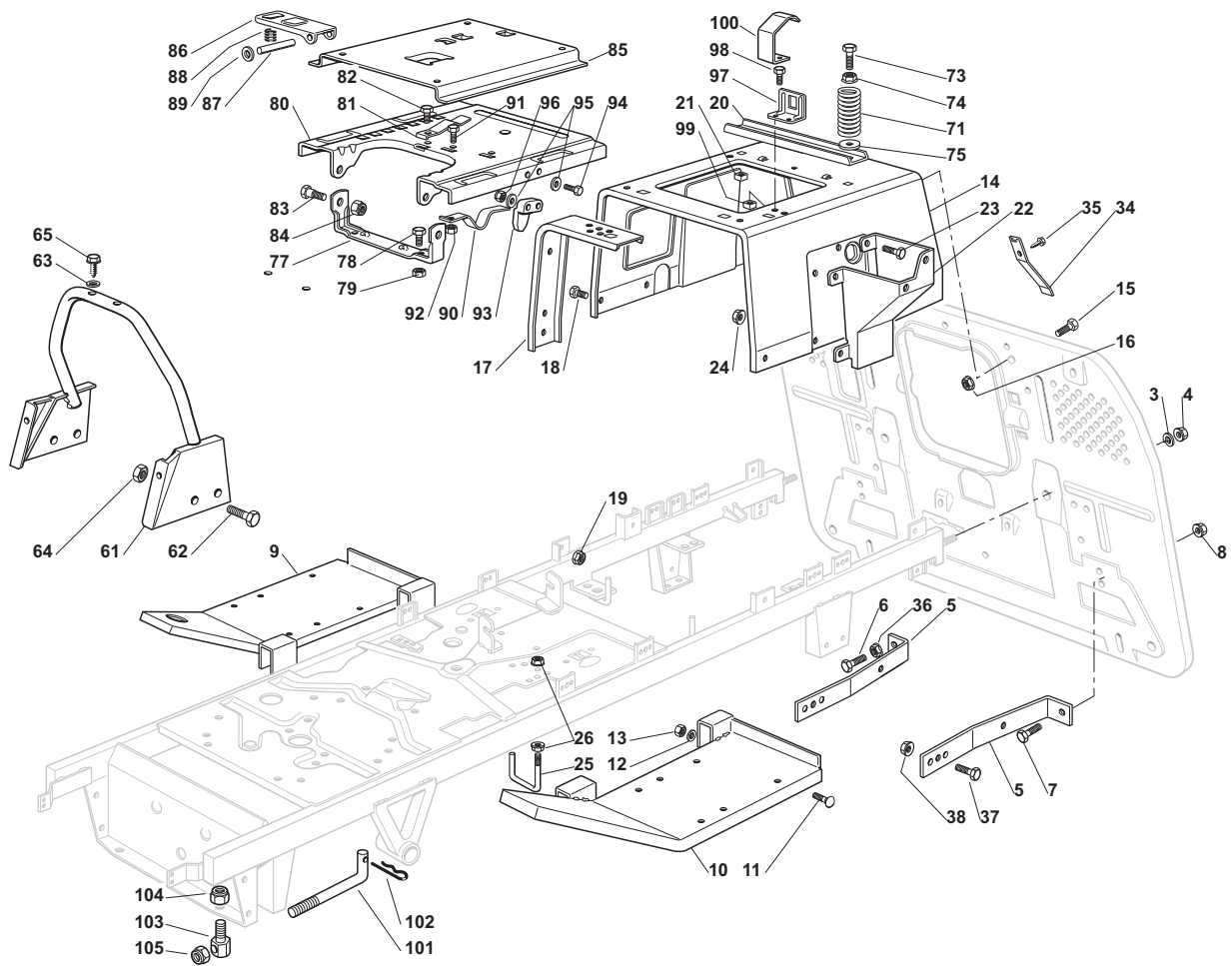
THIS INFORMATION IS NOT INTENDED FOR SALE OR RESALE, AND THIS NOTICE MUST REMAIN ON ALL COPIES.

...THINKING GREEN

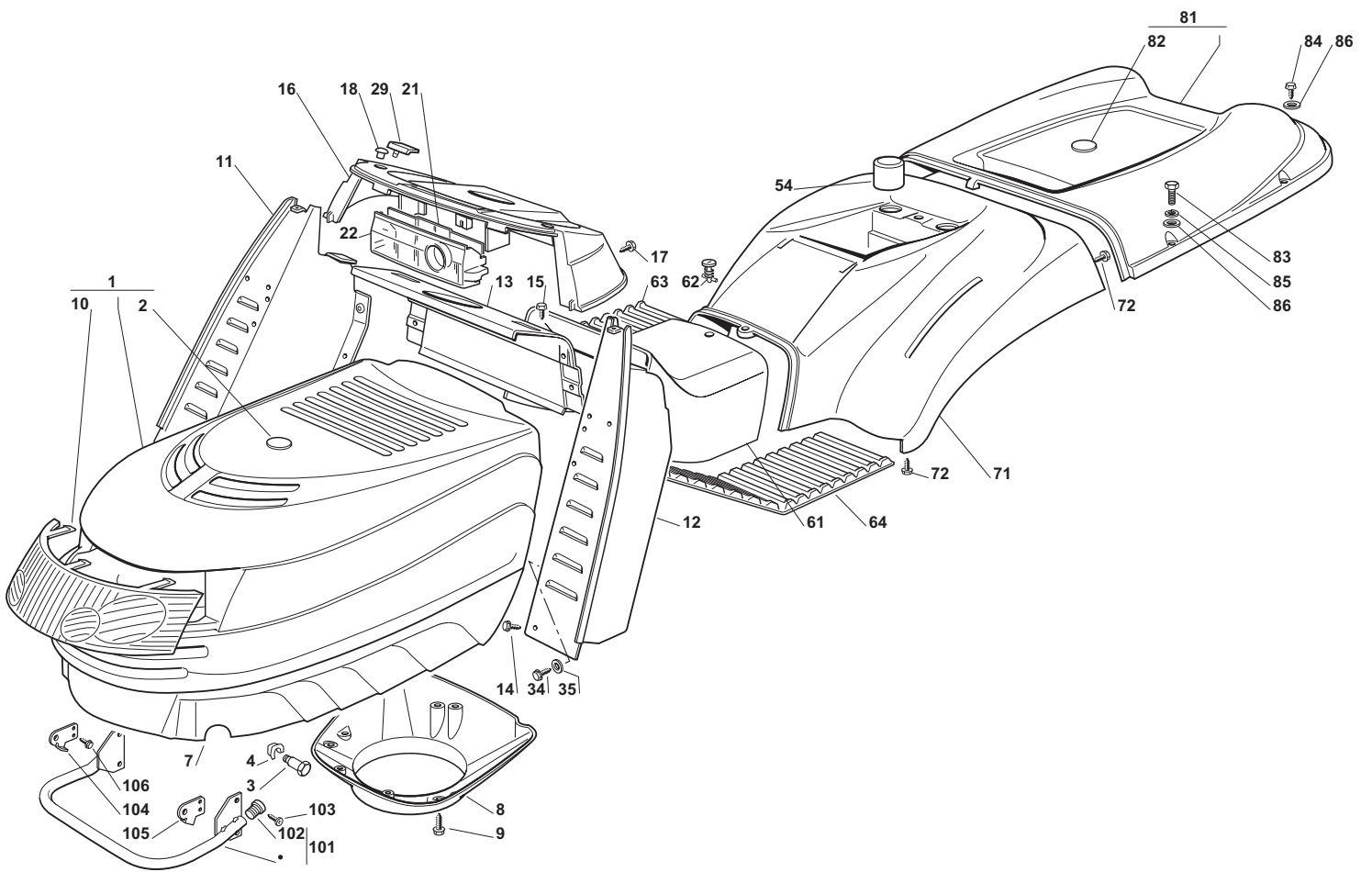




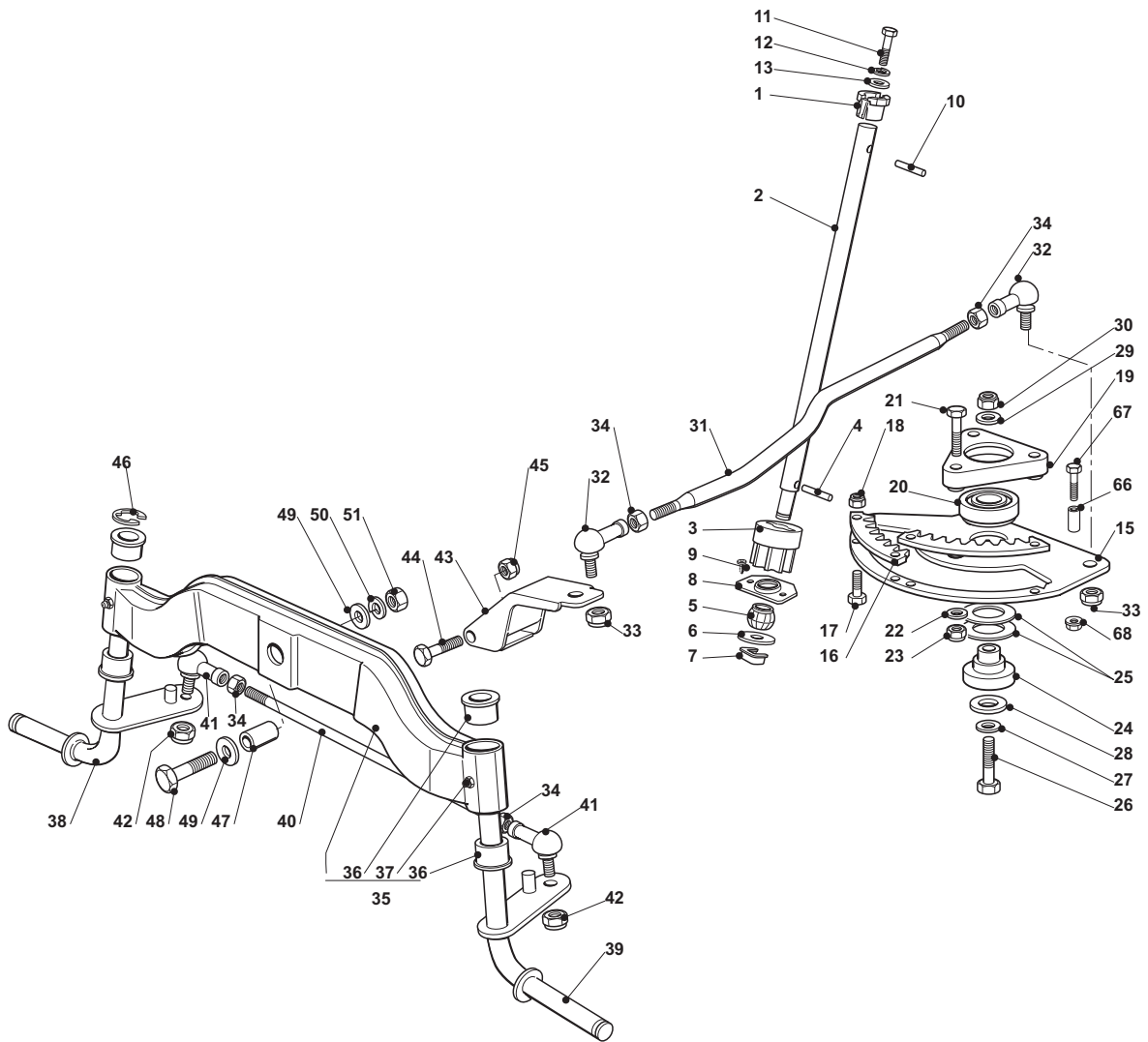
Chassis				
POSITION	CODE	Q.TY	DESCRIPTION	NOTES
3	12585100/0	2	Grower	
4	12295200/0	2	Nut	
5	25774273/1	2	Stiffening	
6	12691100/0	1	Screw	
7	12793102/0	3	Screw	
8	12293201/0	4	Nut	
9	382510041/2	1	Right Footboard Support	
10	382510043/2	1	Left Footboard Support	
11	12815245/0	4	Screw	
12	12523040/0	4	Washer	
13	12154510/0	4	Nut	
14	325785133/4	1	Seat Support	
15	12791011/0	5	Screw	
16	12292102/0	5	Nut	
17	25650065/0	2	Stiffening	
18	12791011/0	6	Screw	
19	12292102/0	6	Nut	
20	25650067/0	1	Stiffening	
21	12360420/0	2	Nut	
22	325785137/1	1	Support	
23	12791011/0	4	Screw	
24	12292102/0	4	Nut	
25	25580019/0	1	Belt Guide (Hydro)	
26	12292102/0	2	Nut	
34	25430238/0	1	Spring	
35	12731580/0	1	Screw	
36	12293200/0	1	Nut	
37	12793102/0	2	Screw	
38	12293201/0	2	Nut	
61	382650045/0	1	Chassis	
62	12792611/0	4	Screw	
63	12521330/0	2	Washer	
64	12292102/0	4	Nut	
65	12731350/0	2	Screw	
71	25430205/1	2	Spring	use on models TC;TCR;TCB;TCP;TCX;TCS;TCU;TCA
71	125430257/1	2	Spring (TX, TS)	use on models TX;TS
73	25943001/0	2	Screw	
74	12293201/0	2	Nut	
75	12523070/0	2	Washer	
77	82774207/0	1	Seat Clamp Support	
78	12792611/0	2	Screw	
79	12293201/0	2	Nut	
80	25785149/2	1	Fixed Seat Supp.	
81	25430203/0	1	Spring	
82	12731580/0	1	Screw	
83	22524970/2	2	Pin	
84	12155010/0	2	Nut	
85	325785147/1	1	Seat Support	
86	325318109/1	1	Stop Lever	
87	25510000/0	1	Pin	
88	125430202/1	1	Spring	
89	12604897/0	2	Snap Ring	
90	25430223/2	1	Spring	
91	12789000/0	1	Screw	
92	12154330/0	1	Nut	
93	25060033/0	1	Cam	
94	12815050/0	2	Screw	
95	12521320/0	4	Washer	
96	12154330/0	2	Nut	



Chassis				
POSITION	CODE	Q.TY	DESCRIPTION	NOTES
97	25755025/1	1	Bracket	
98	12735110/0	2	Screw	
99	12437502/0	2	Plate	
100	25430255/0	1	Spring	
101	125510119/0	2	Tie Rod	
102	24487997/0	2	Cotter Pin	
103	25510040/1	2	Pin	
104	12155000/0	2	Nut	
105	12155000/0	2	Nut	



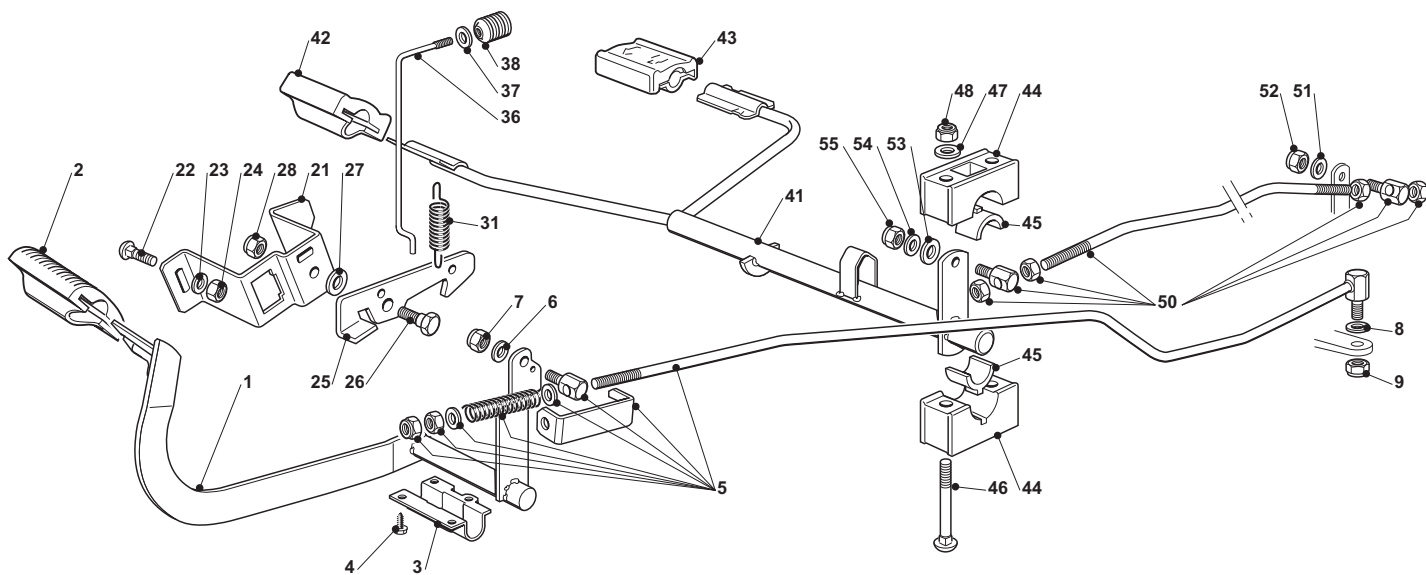
Body				In parts list notes identify as model TCP
POSITION	CODE	Q.TY	DESCRIPTION	NOTES
1	82076943/0	1	Upper Engine Hood Grey	
2	25547183/0	1	Plate Grey	
3	25510023/1	2	Pin	
4	112436050/1	2	Plate	
7	25076808/0	1	Lower Engine Hood	
8	25108028/0	1	Conveyor	use on models with engine BS1;BS2;BS3;BS4;GGP;K9;K10
9	12728686/0	3	Screw	
10	25410859/0	1	Grill	
11	382785022/9	1	Right Dashboard Supp.	
12	382785021/8	1	Left Dashboard Supp.	
13	82785137/0	1	Central Dashboard Supp	
14	12735110/0	2	Screw	
15	12735110/0	4	Screw	
16	25120171/1	1	Dashboard	
17	12728440/0	4	Screw	
18	25120200/0	2	Plug	
21	25600009/0	1	Card Protection	
22	25600051/0	1	Card Protection	
29	25260000/0	2	Grommet	
34	12731350/0	2	Screw	
35	12521330/0	2	Washer	
54	25122000/2	2	Hood	
61	25110356/0	1	Cover (Hydro) Grey	
62	125580020/2	1	Pivot	
63	25110270/0	1	Right Footboardcover	
64	25110260/2	1	Left Footboard Cover	
71	25109764/0	1	Wheels Cover (Hydro) Grey	
72	12735402/0	4	Screw	
81	82110272/0	1	Grass-Catcher Cover Grey	
82	25547183/0	1	Plate Grey	
83	12674701/0	2	Screw	
84	12729601/1	4	Screw	
85	12582101/0	2	Grower	
86	12521331/0	6	Washer	
101	82869006/1	1	Muffler Protection (Jtp)	
102	18566110/0	2	Cap	
103	12734995/0	4	Screw	
104	325547089/1	1	Right Plate	
105	325547091/1	1	Left Plate	
106	12731580/0	4	Screw	



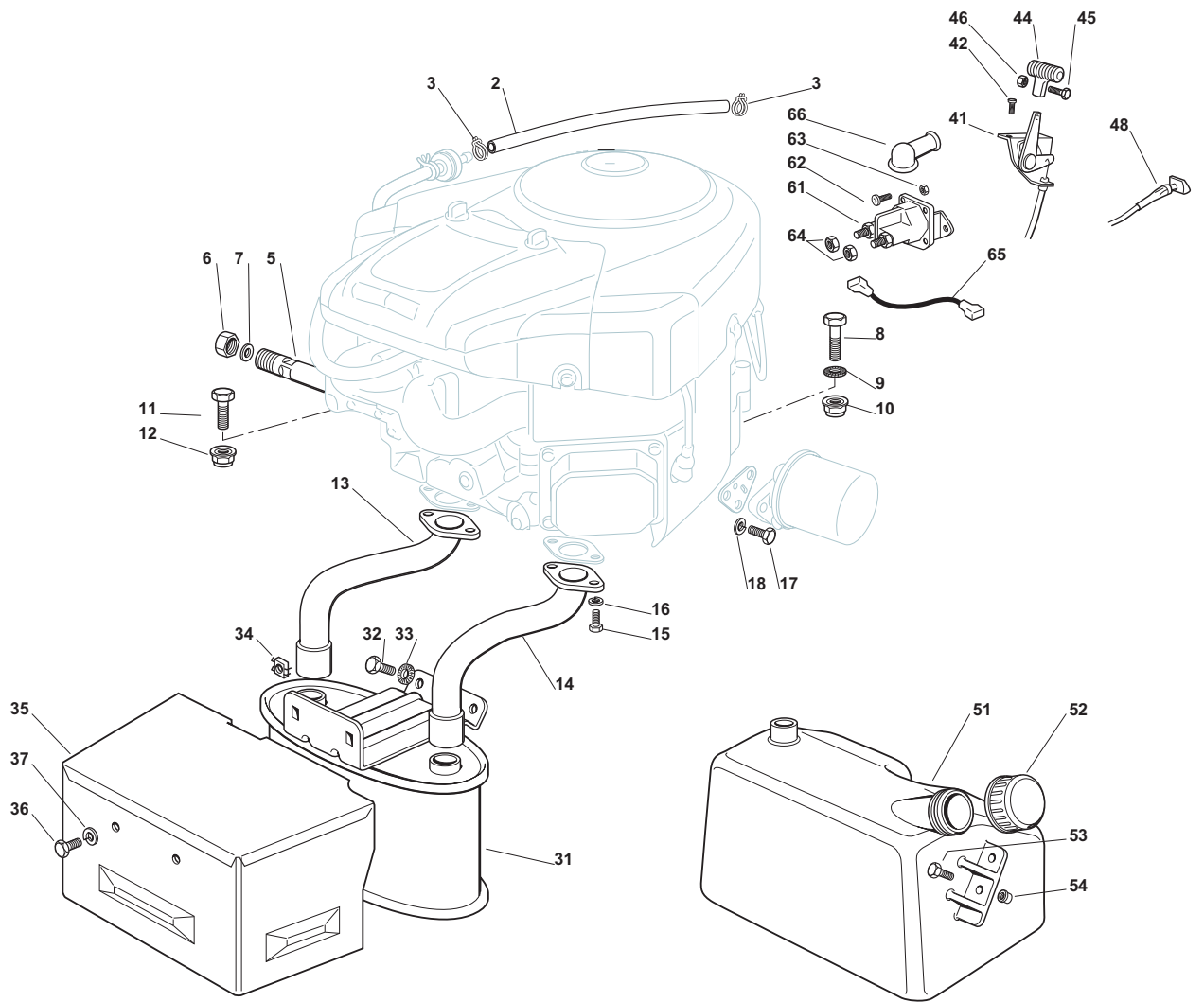
Steering

Wheels 15"

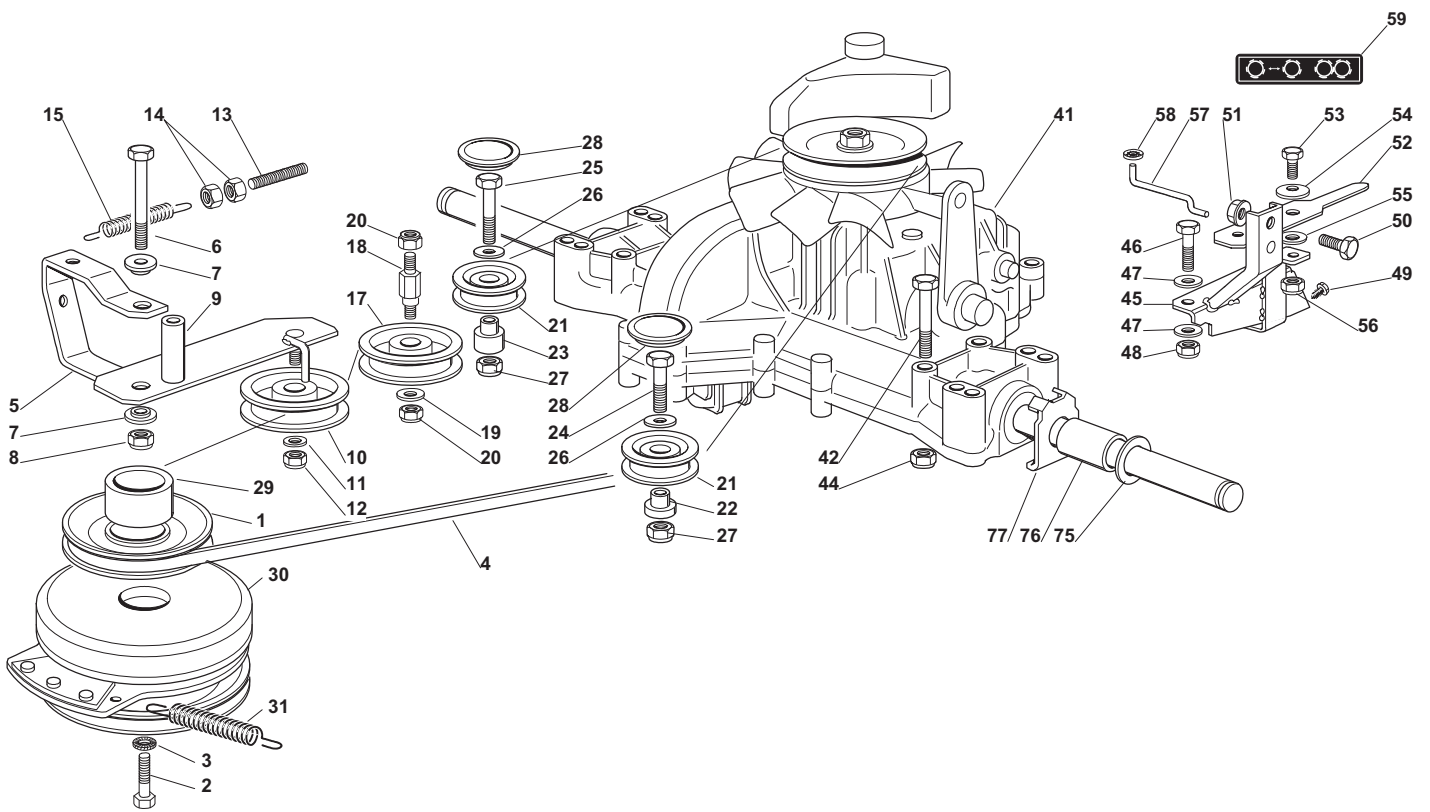
POSITION	CODE	Q.TY	DESCRIPTION	NOTES
1	25038004/0	1	Bush	
2	125520010/0	1	Steering Column	
3	25570000/2	1	Pinion	
4	112714300/0	1	Dowel	
5	25743000/0	1	Joint	
6	12521370/0	1	Washer	
7	12436030/0	1	Plate	
8	325785213/1	1	Support	
9	12729601/1	2	Screw	
10	112620250/0	1	Pin	
11	12691800/0	1	Screw	
12	12583500/0	1	Grower	
13	12523060/0	1	Washer	
15	325735523/0	1	Steering Shaft	
16	325150000/0	2	Rack	
17	12791213/1	4	Screw	
18	12154510/0	4	Nut	
19	325774453/0	1	Clamp	
20	119216047/0	1	Bearing	
21	12691100/0	3	Screw	
22	12523060/0	3	Washer	
23	12155000/0	3	Nut	
24	125510120/0	1	Support	
25	22672153/0	2	Washer	
26	12692395/0	1	Screw	
27	12523080/0	1	Washer	
28	12521390/0	1	Washer	
29	12523080/0	1	Washer	
30	12156602/0	1	Nut	
31	25033003/1	1	Steering Rod	
32	22746600/0	2	Joint	
32	122746616/0	2	Joint	
33	122746609/0	2	Joint	
34	12156602/0	4	Nut	
35	82034001/3	1	Equalizer With Bush And Lubricator	
36	25034002/1	4	Bush	
37	12379511/0	2	Grease Dispenser	
38	82230361/0	1	Right Stub Axle	
39	82230359/0	1	Left Stub Axle	
40	25840001/0	1	Tie Rod	
41	122746616/0	2	Joint	
42	12156602/0	2	Nut	
43	82318185/0	1	Lever	
44	12692395/0	1	Screw	
45	12155000/0	1	Nut	
46	12001000/0	1	Snap Ring	
47	25160005/0	1	Spacer	
48	12694100/0	1	Screw	
49	12521390/0	2	Washer	
50	12587900/0	1	Grower	
51	12295800/0	1	Nut	
66	22167840/0	1	Spacer (Wheels 15")	
67	12691200/0	1	Screw	
68	12293201/0	1	Nut	



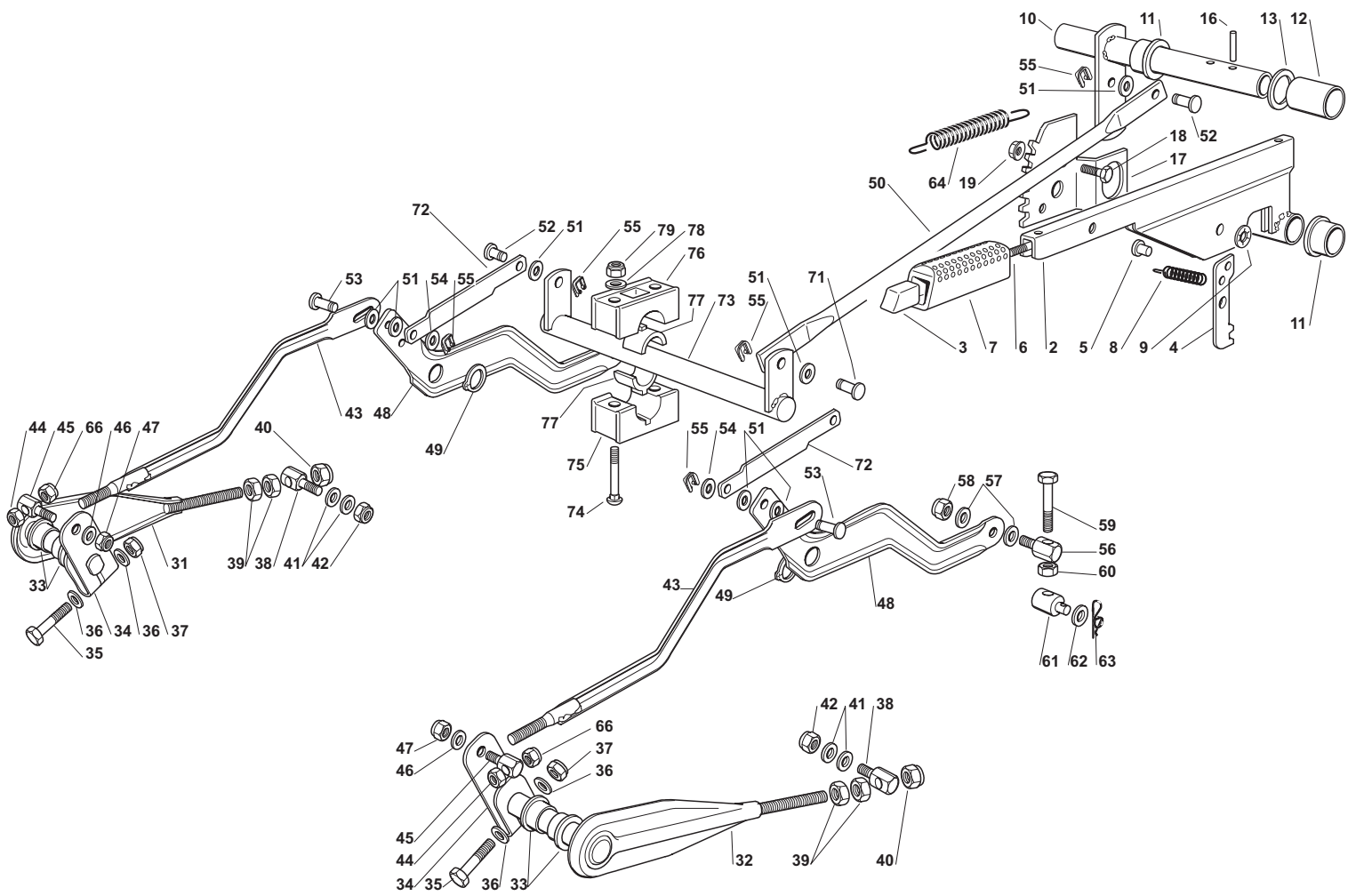
Drive And Brake Controls				
POSITION	CODE	Q.TY	DESCRIPTION	NOTES
1	82500011/2	1	Pedal	
2	325110416/0	1	Clamp Cover	
3	325547081/2	1	Plate	
4	12731601/0	4	Screw	
5	382000582/0	1	Rod	
6	12521350/0	1	Washer	
7	12155000/0	1	Nut	
8	12521360/0	2	Washer	
9	12155000/0	1	Nut	
21	325785143/1	1	Support	
22	12815210/0	2	Screw	
23	12523040/0	1	Washer	
24	12154510/0	2	Nut	
25	25253001/0	1	Hook	
26	22524970/2	1	Pin	
27	25670011/0	1	Washer	
28	12155000/0	1	Nut	
31	25430213/0	1	Spring	
36	25033034/0	1	Rod	
37	25394509/1	1	Knob	
38	12523020/0	1	Washer	
41	382000391/0	1	Drive Pedal	
42	325110417/0	1	Clamp Cover Front	
43	325110418/0	1	Clamp Cover Rear	
44	325785354/0	4	Support	
45	325034003/0	4	Brass	
46	112815271/0	4	Screw	
47	12523040/0	4	Washer	
48	12154510/0	4	Nut	
50	382000579/0	1	Rod	
51	12523040/0	1	Washer	
52	12154510/0	1	Nut	
53	12521360/0	1	Washer	
54	12523040/0	1	Washer	
55	12154510/0	1	Nut	



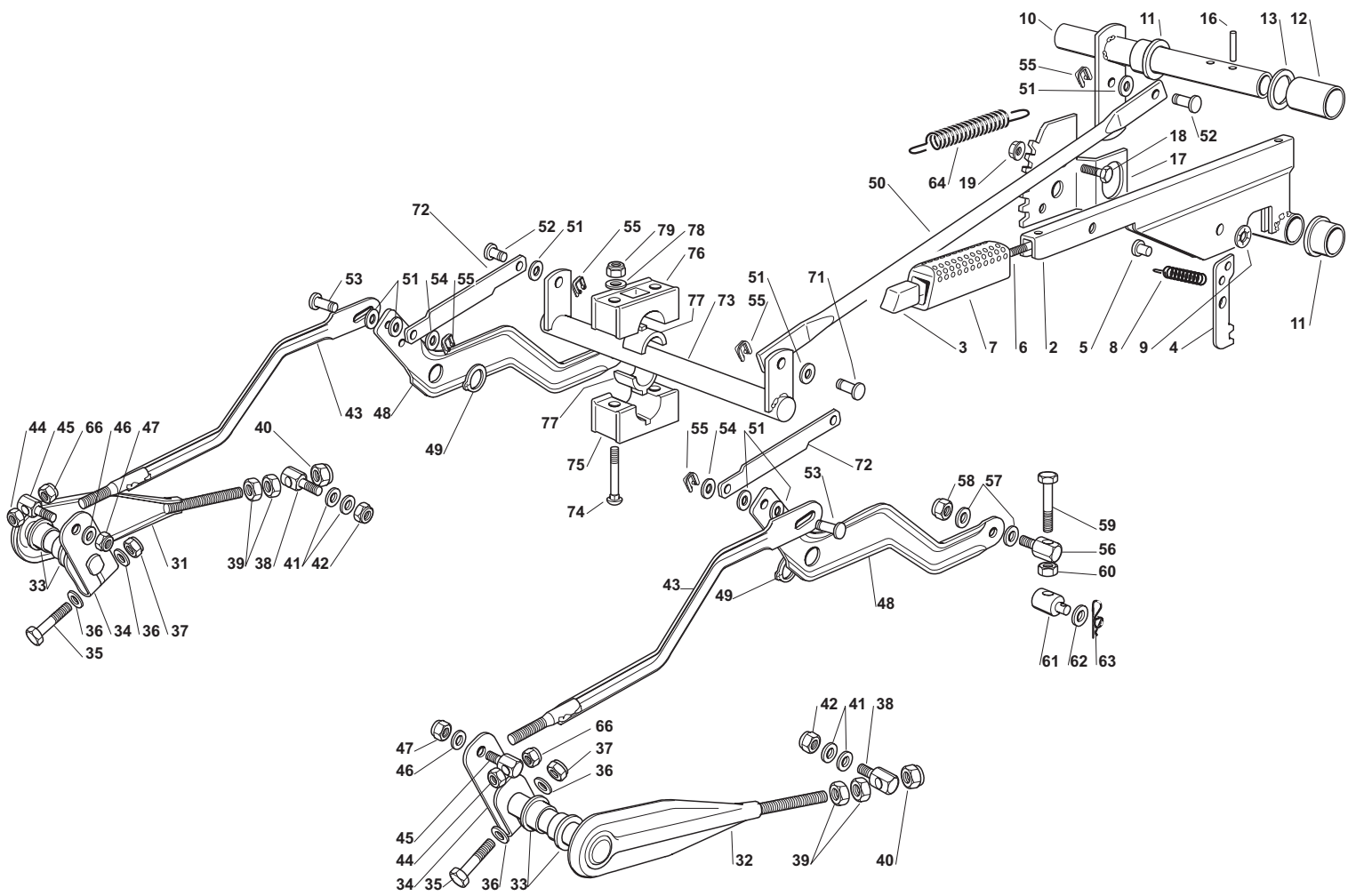
POSITION	CODE	Q.TY	DESCRIPTION	NOTES
2	25869016/1	1	Connecting Tube	
3	18375051/1	2	Fair Led	
5	25598050/0	1	Oil Discharge Extension	
6	18737849/0	1	Oil Cap	
7	18401001/1	1	Oil Seal	
8	12691115/0	1	Screw	
9	12540260/0	1	Washer	
10	12154210/0	1	Nut	
11	12691100/0	3	Screw	
12	12154210/0	3	Nut	
13	18738214/0	1	Exhaust Tube Right	
14	18738215/0	1	Exhaust Tube Left	
15	12735530/0	4	Screw	
16	12583500/0	4	Grower	
17	12791400/0	3	Screw	
18	12582100/0	3	Grower	
31	82750003/0	1	Muffler	
32	12793102/0	2	Screw	
33	12540260/0	2	Washer	
34	12360425/0	2	Nut (Mech.)	
35	82598005/2	1	Guard	
36	12792611/0	2	Screw	
37	12583500/0	2	Grower	
41	82000211/1	1	Accelerator	
42	125943012/0	2	Screw	
44	25394501/0	1	Handle	
45	12726388/0	1	Screw	
46	12290800/0	1	Nut	
51	25735111/3	1	Tank	
52	25795000/1	1	Cap	
53	12788910/0	2	Screw	
54	12500092/0	2	Rivet	
61	18736110/0	1	Starter Relay	
62	12791011/0	2	Screw	
63	12292102/0	2	Nut	
64	12360352/0	2	Nut	
65	25065017/0	1	Cable	
66	18564861/1	1	Protection	



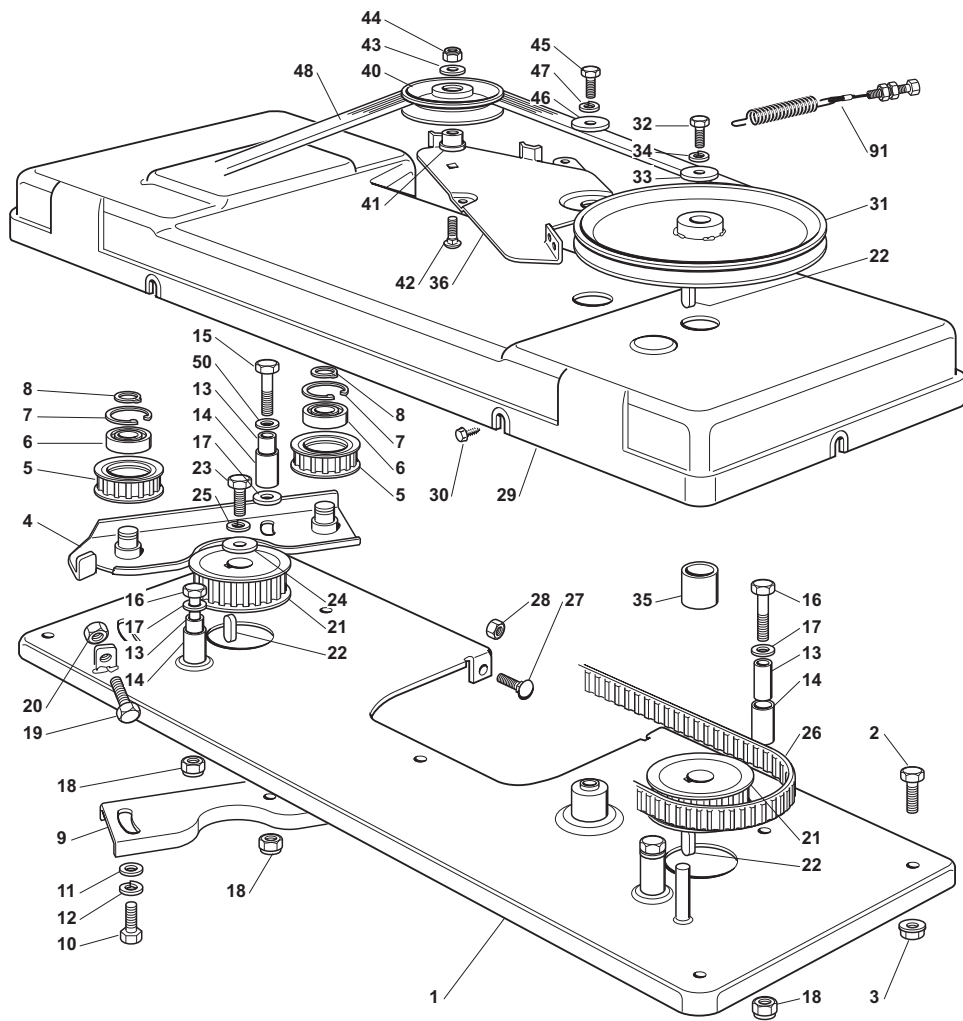
Transmission				
POSITION	CODE	Q.TY	DESCRIPTION	NOTES
1	25601566/0	1	Pulley	
2	12737320/0	1	Screw	
3	12543000/0	1	Washer	
4	35062001/0	1	Belt	
5	82318165/1	1	Lever	
6	12692000/0	1	Screw	
7	25038002/1	2	Bush	
8	12155000/0	1	Nut	
9	25160027/0	1	Spacer	
10	25601554/0	1	Pulley	
11	12523060/0	1	Washer	
12	12155000/0	1	Nut	
13	25840010/1	1	Tie Rod	
14	12293200/0	2	Nut	
15	25430219/0	1	Spring	
17	25601555/0	1	Pulley	
18	25510036/1	1	Pin	
19	12523060/0	1	Washer	
20	12155000/0	2	Nut	
21	325601570/1	2	Pulley	
22	125160030/2	1	Left Spacer	
23	125160024/2	1	Right Spacer	
24	12691115/0	1	Screw	
25	12691400/0	1	Screw	
26	12523060/0	2	Washer	
27	12155000/0	2	Nut	
28	25109521/1	2	Cover	
29	25160021/0	1	Spacer	
30	118399062/0	1	Clutc	
31	125430210/1	1	Spring	
41	18400950/1	1	Rear Axle	Tuff Torq K46F
42	12691800/0	4	Screw	
44	12154210/0	4	Nut	
45	82785109/0	1	Support	
46	12691200/0	1	Screw	
47	12521350/0	2	Washer	
48	12155000/0	1	Nut	
49	12735120/0	2	Screw	
50	12792611/0	1	Screw	
51	12293201/0	1	Nut	
52	25318157/0	1	Lever	
53	12793102/0	1	Screw	
54	12369500/0	1	Elastic Washer	
55	25670011/0	1	Washer	
56	12155000/0	1	Nut	
57	25033033/0	1	Rod	
58	12604896/0	1	Crown Fastener	
59	114357423/2	1	Label	
75	25670005/1	4	Washer	
76	25160023/0	2	Spacer	
77	325670025/0	2	Washer	



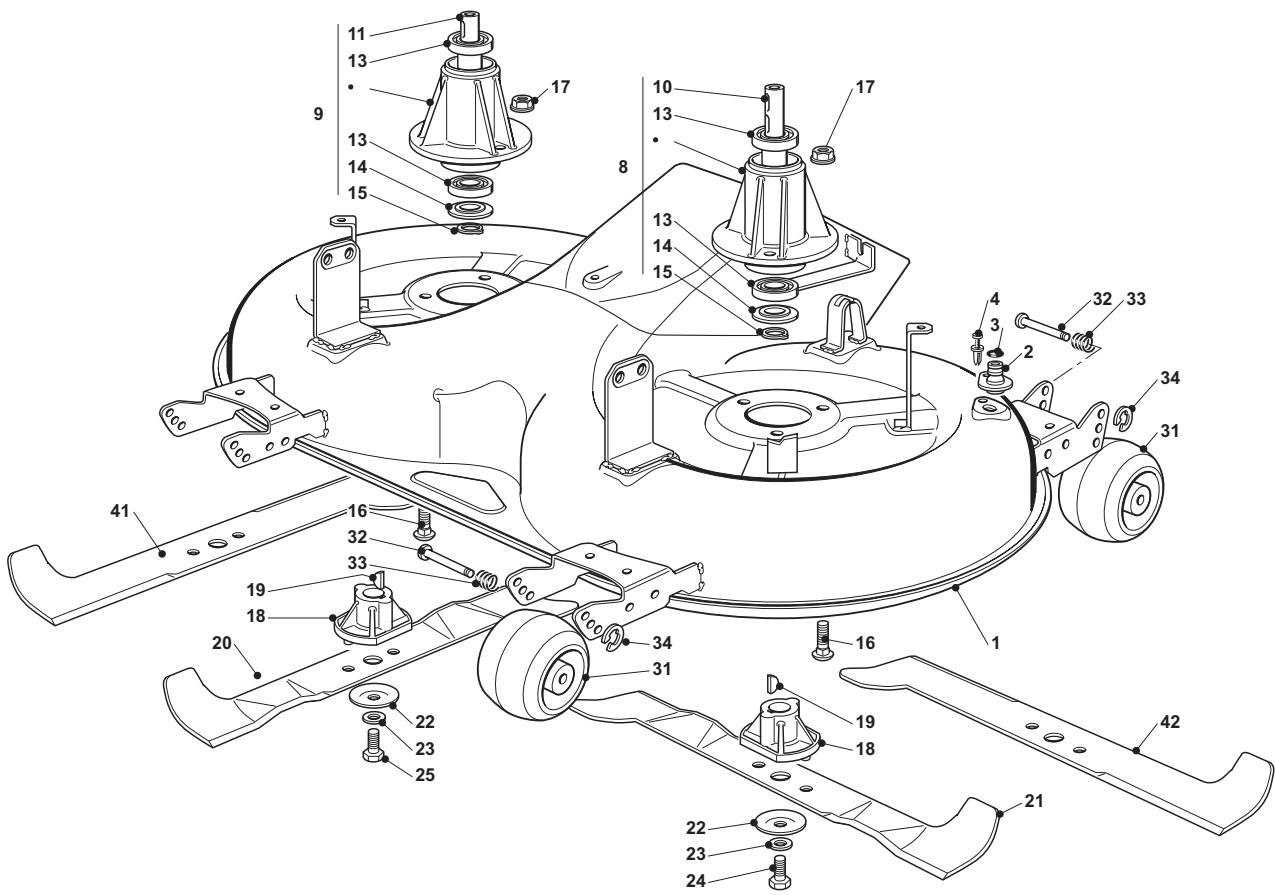
Cutting Plate Lifting				
POSITION	CODE	Q.TY	DESCRIPTION	NOTES
2	82318139/0	1	Lever	
3	25605000/1	1	Button	
4	25470901/0	1	Dog	
5	25510011/0	1	Pin	
6	25033002/0	1	Rod	
7	325394536/0	1	Knob	
8	25430208/0	1	Spring	
9	12604899/0	1	Crown Fastener	
10	382000551/0	1	Axle	
11	22034523/0	2	Bush	
12	25160025/0	1	Spacer	
13	22672153/0	1	Washer	
16	12620206/0	2	Pin	
17	25735506/1	1	Sector	
18	12792611/0	2	Screw	
19	12293201/0	2	Nut	
31	82318159/0	1	Front Right Lever	
32	82318161/0	1	Front Left Lever	
33	25040605/0	4	Bush	
34	25318161/0	2	Lever	
35	12691700/0	2	Screw	
36	12521350/0	4	Washer	
37	12155000/0	2	Nut	
38	25510056/0	2	Pin	
39	12295200/0	4	Nut	
40	12156602/0	2	Nut	
41	25670008/1	4	Washer	
42	12156602/0	2	Nut	
43	82000477/2	2	Connecting Rod	
44	12155000/0	2	Nut	
45	125510055/1	2	Pin	
46	12521350/0	2	Washer	
47	12155000/0	2	Nut	
48	25318153/1	2	Rear Lever	
49	12609255/0	2	Seeger	
50	325033071/0	1	Connecting Rod	
51	25670011/0	7	Washer	
52	125510117/0	2	Pin	
53	125510048/1	2	Pin	
54	12521350/0	2	Washer	
55	12436050/0	5	Plate	
56	25510056/0	2	Pin	
57	25670008/1	4	Washer	
58	12156602/0	2	Nut	
59	12794985/0	2	Screw	
60	12295200/0	2	Nut	
61	25510070/0	2	Pin	
62	12523090/0	2	Washer	
63	24487998/0	2	Cotter Pin	
64	25430218/0	1	Spring	
66	12293200/0	2	Nut	
71	125510048/1	1	Pin	
72	325318223/0	2	Gearshift	
73	382000585/0	1	Axle	
74	112815271/0	4	Screw	
75	325785355/0	2	Support	
76	325785354/0	2	Support	
77	325034003/0	4	Brass	
78	12523040/0	4	Washer	
79	12154510/0	4	Nut	



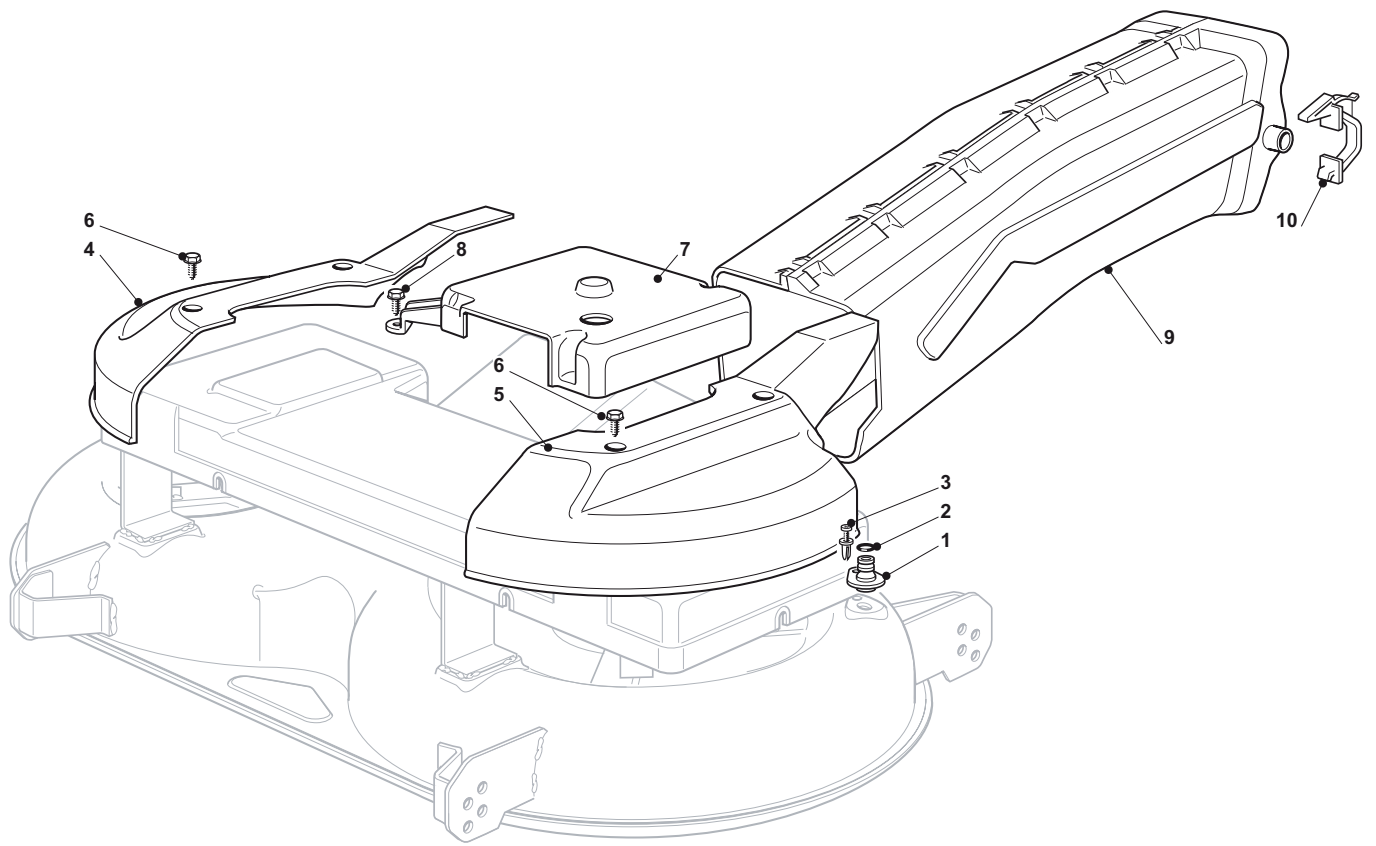
Blades Engagement				
POSITION	CODE	Q.TY	DESCRIPTION	NOTES
1	82547029/0	1	Plate	
2	12792611/0	4	Screw	
3	12293201/0	4	Nut	
4	82785084/1	1	Support	
5	25601559/1	2	Pulley	
6	119216048/0	2	Bearing	
7	12610800/0	2	Snap Ring	
8	12609200/0	2	Seeger	
9	25650037/0	1	Stiffening	
10	12793102/0	2	Screw	
11	12521350/0	2	Washer	
12	12583500/0	2	Grower	
13	25160003/0	4	Spacer	
14	25038000/0	4	Bushing	
15	12691700/0	1	Screw	
16	12691200/0	3	Screw	
17	12521350/0	4	Washer	
18	12293201/0	4	Nut	
19	12793900/0	1	Screw	
20	12293200/0	1	Nut	
21	25601560/0	2	Pulley	
22	12139480/0	3	Key	
23	12793102/0	1	Screw	
24	25670007/0	1	Washer	
25	12583500/0	1	Grower	
26	35065600/0	1	Belt	
27	12815200/0	3	Screw	
28	12292102/0	3	Nut	
29	25060100/3	1	Case	
30	12735110/0	6	Screw	
31	25601550/0	1	Pulley	
32	12793102/0	1	Screw	
33	25670007/0	1	Washer	
34	12583500/0	1	Grower	
35	25160002/0	1	Spacer	
36	25318115/1	1	Brake Lever	
40	25601555/0	1	Pulley	
41	25160007/0	1	Spacer	
42	12818900/0	1	Screw	
43	12523060/0	1	Washer	
44	12155000/0	1	Nut	
45	12793102/0	1	Screw	
46	12523070/0	1	Washer	
47	12583500/0	1	Grower	
48	35062811/0	1	Belt	
50	12523060/0	1	Washer	
91	82004608/0	1	Wire	



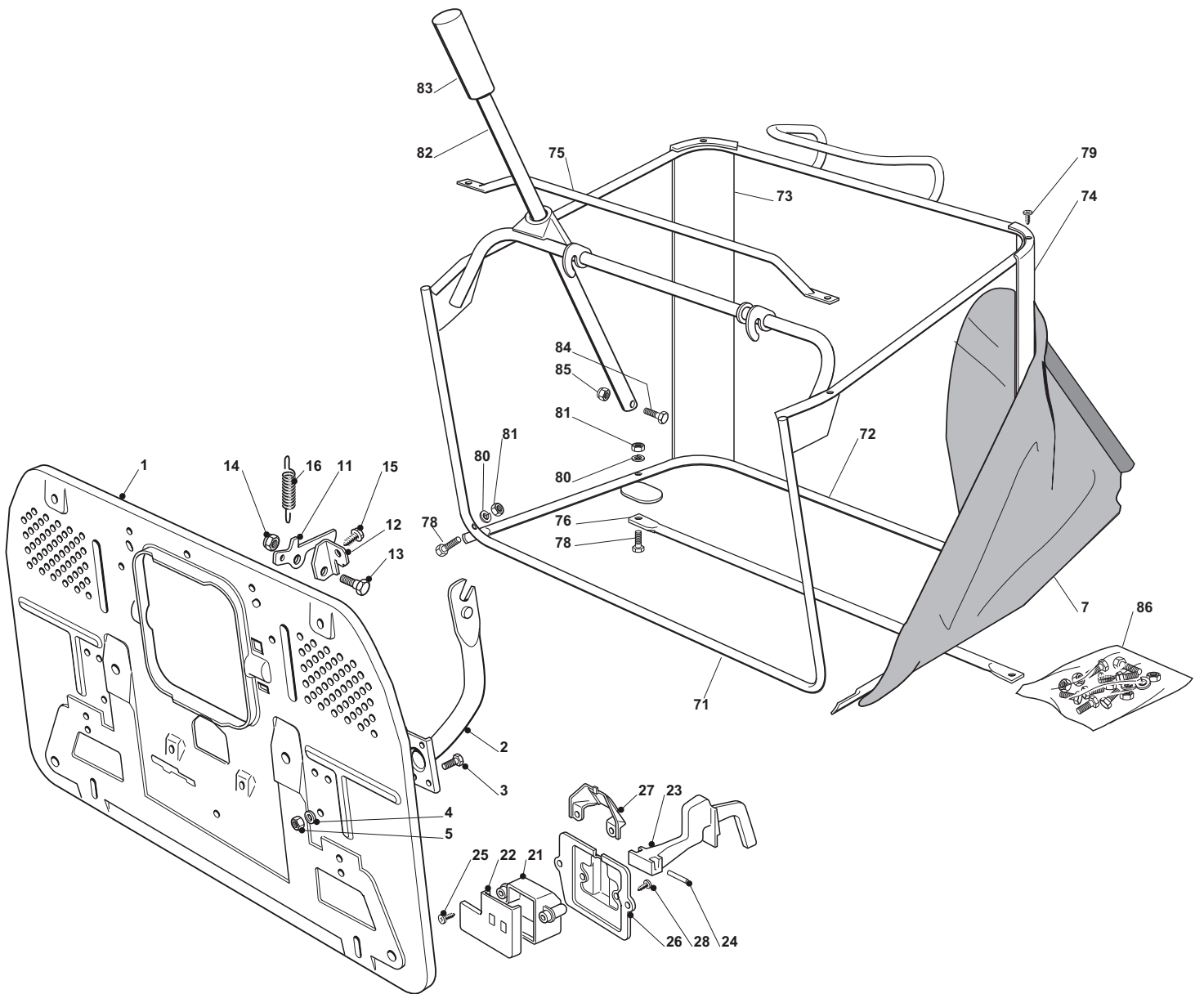
Blades Engagement				
POSITION	CODE	Q.TY	DESCRIPTION	NOTES
1	382564131/0	1	Cutting Plate Black	
1	382564132/0	1	Cutting Plate Red	
1	382564133/0	1	Cutting Plate Yellow	
2	25033060/0	2	Water Hose Connection	
3	19035000/0	2	O Ring	
4	12500030/0	2	Rivet	
8	82207200/1	1	Main Shaft Support	
9	82207201/2	1	Secondary Shaft Support	
10	25020800/1	1	Main Blade Shaft	
11	25020801/2	1	Secondary Blade Shaft	
13	19216032/0	4	Bearing	
14	25160501/0	2	Dust Cover	
15	12609260/0	2	Seeger	
16	12818700/0	6	Screw	
17	12154210/0	6	Nut	
18	25463200/0	2	Blade Hub	
19	12139100/0	2	Feather	
20	82004348/0	1	Right Blade Mulching, Winged	
21	82004347/0	1	Left Blade Mulching, Winged	
22	22160400/0	2	Elastic Washer	
23	12523080/0	2	Washer	
24	12735694/0	1	Screw	
25	12735695/1	1	Screw	
26	182700003/0	2	Anti Scalp Wheel Ø 80	
27	25510072/0	2	Spacer	
28	12692050/0	2	Screw	
29	12523060/0	2	Washer	
30	12293201/0	2	Nut	
31	182700004/0	2	Anti Scalp Wheel Ø 100	
32	125510121/0	2	Pin	
33	22450115/0	2	Spring	
34	12000930/0	2	Crown Fastener	
41	82004341/1	1	Right Blade, Winged	
42	82004340/1	1	Left Blade, Winged	
51	325140100/0	1	Deflector	
52	12815210/0	2	Screw	
53	25038002/1	2	Bush	
54	12154510/0	2	Nut	



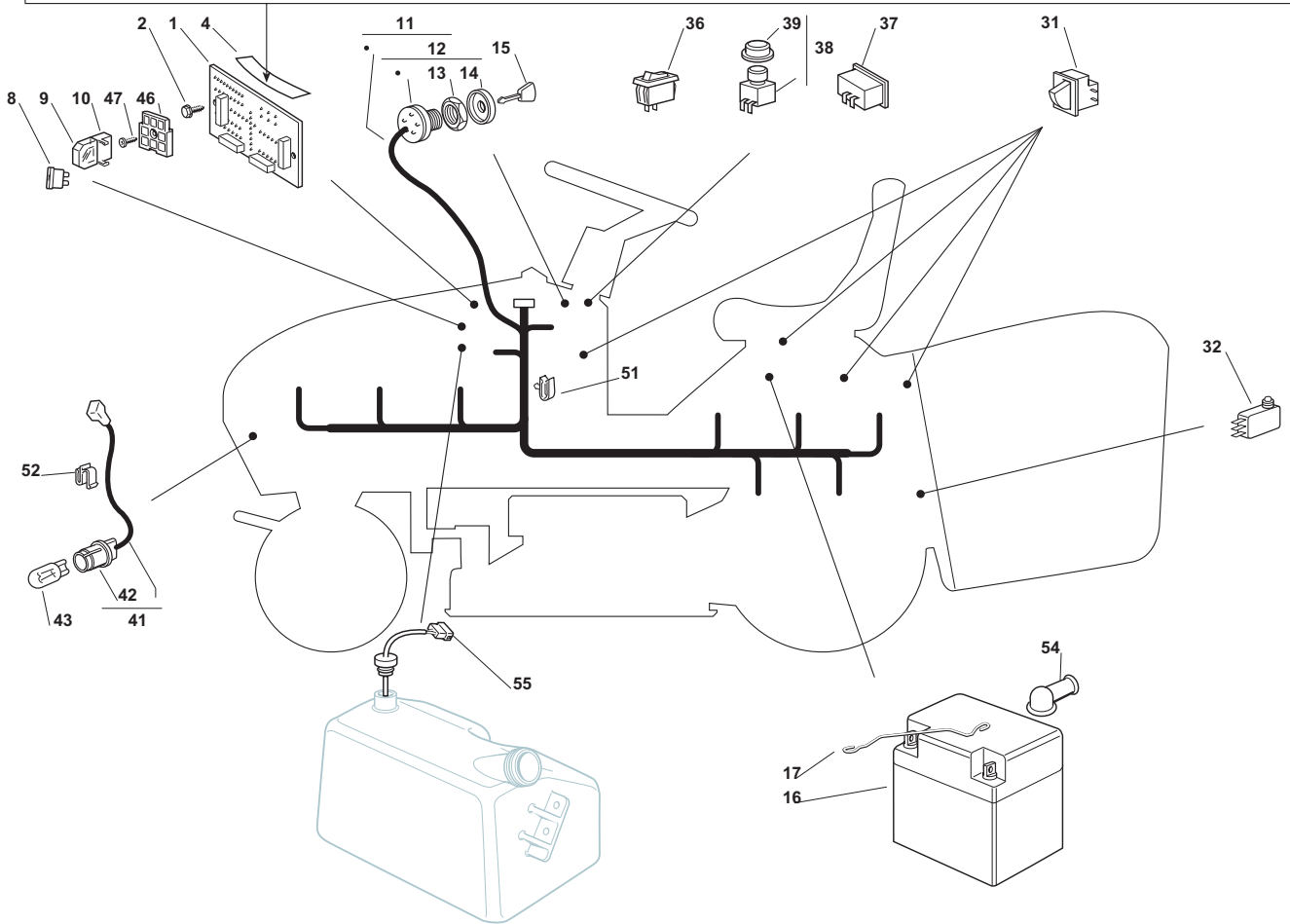
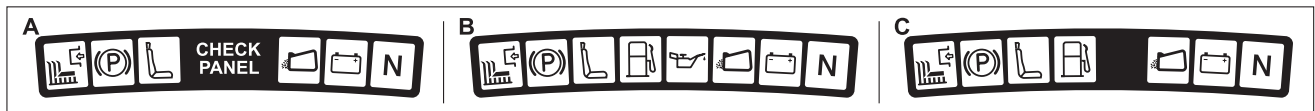
Cutting Plate				
POSITION	CODE	Q.TY	DESCRIPTION	NOTES
1	382564213/0	1	Cutting Plate Black	
1	382564214/0	1	Cutting Plate Red	
1	382564215/0	1	Cutting Plate Yellow	
2	25033060/0	2	Water Hose Connection	
3	19035000/0	2	O Ring	
4	12500030/0	2	Rivet	
8	82207200/1	1	Main Shaft Support	
9	82207201/2	1	Secondary Shaft Support	
10	25020800/1	1	Main Blade Shaft	
11	25020801/2	1	Secondary Blade Shaft	
13	19216032/0	4	Bearing	
14	25160501/0	2	Dust Cover	
15	12609260/0	2	Seeger	
16	12818700/0	6	Screw	
17	12154210/0	6	Nut	
18	25463200/0	2	Blade Hub	
19	12139100/0	2	Feather	
20	82004350/0	1	Right Blade Mulching, Winged (Mod. 122)	
21	82004349/0	1	Left Blade Mulching, Winged (Mod. 122)	
22	22160400/0	2	Elastic Washer	
23	12523080/0	2	Washer	
24	12735694/0	1	Screw	
25	12735695/1	1	Screw	
31	182700004/0	4	Anti Scalp Wheel Ø 100	
32	125510121/0	4	Pin	
33	22450115/0	4	Spring	
34	12000930/0	4	Crown Fastener	
41	82004343/0	1	Right Blade, Winged (Mod. 122)	
42	82004342/0	1	Left Blade, Winged (Mod. 122)	



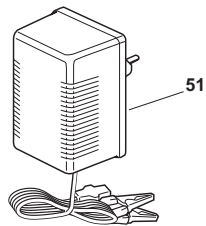
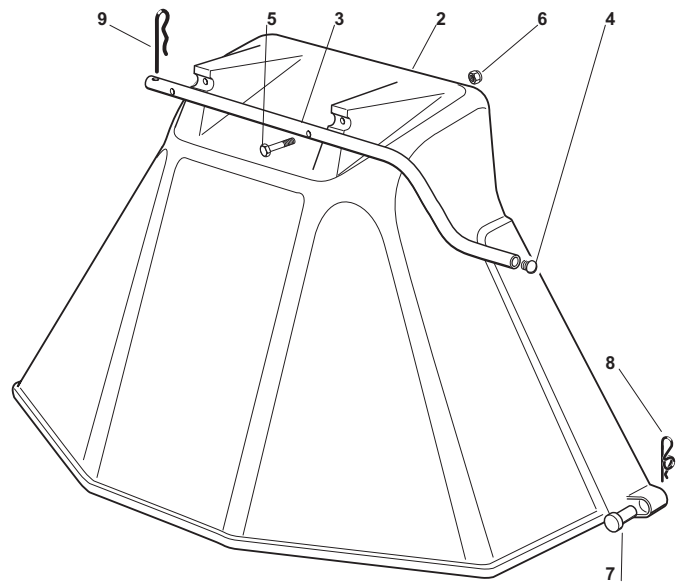
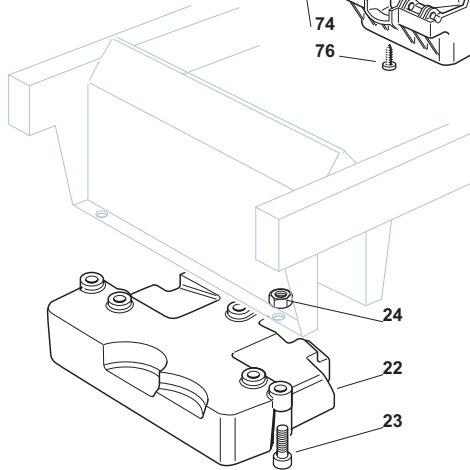
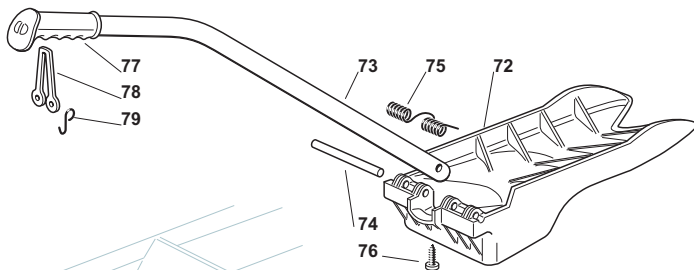
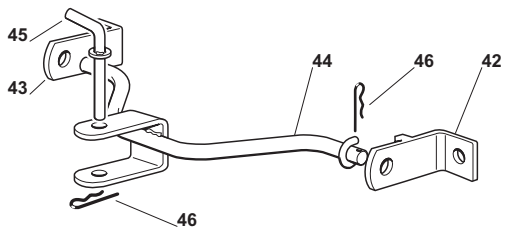
Guards And Conveyor				
POSITION	CODE	Q.TY	DESCRIPTION	NOTES
1	25033060/0	2	Water Hose Connection	
2	19035000/0	2	O Ring	
3	12500030/0	2	Rivet	
4	25060113/0	1	Guard Grey	
4	25060104/0	1	Guard Black	
5	25060114/0	1	Guard Grey	
5	25060105/0	1	Guard Black	
6	12735403/0	4	Screw	
7	25600050/0	1	Guard	
8	12735403/0	3	Screw	
9	382108020/0	1	Conveyor	
10	25774373/0	2	Clamp	



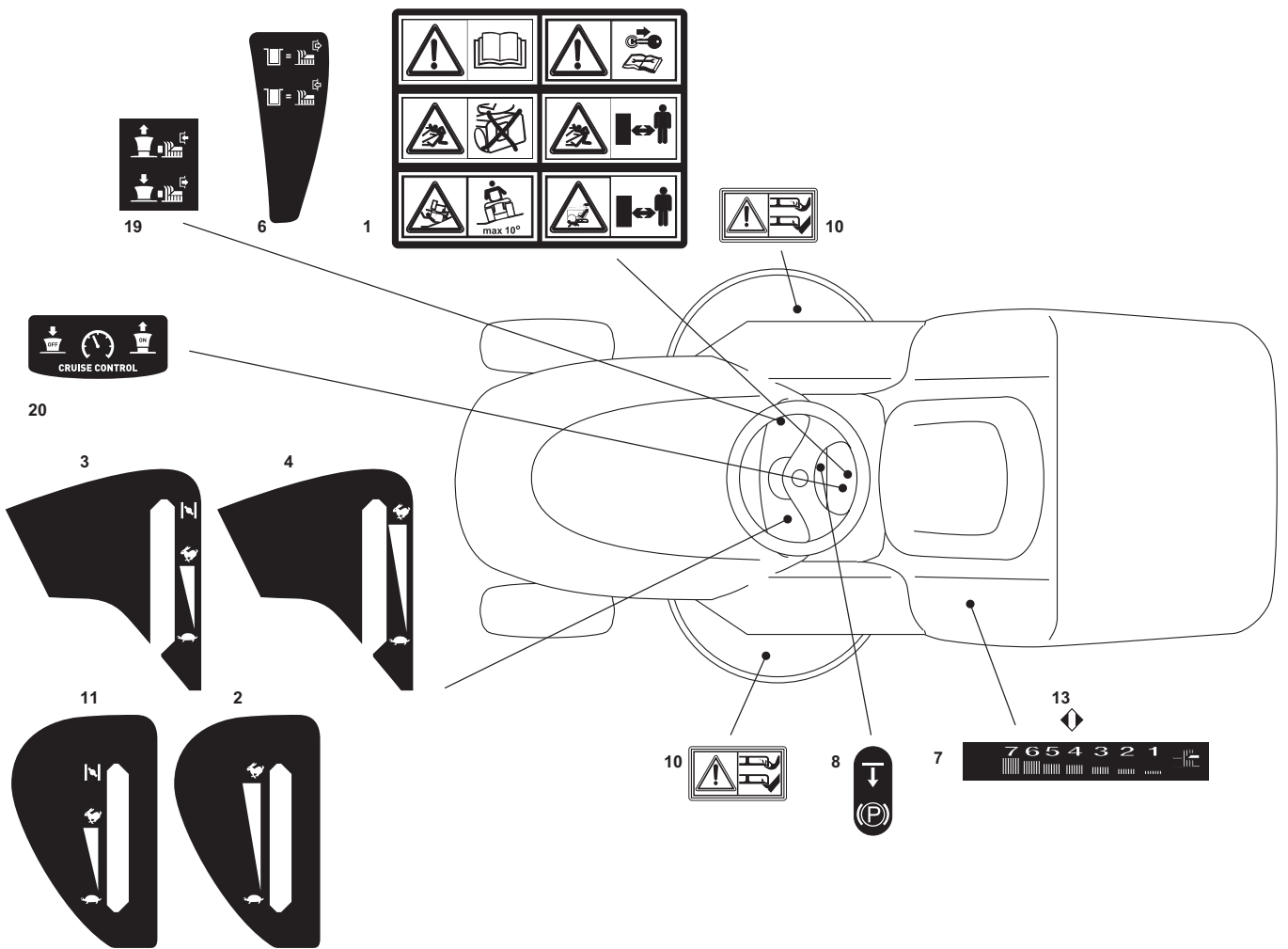
Grasscatcher				
POSITION	CODE	Q.TY	DESCRIPTION	NOTES
1	382547051/0	1	Plate	
2	82774225/1	2	Support	
3	12793102/0	6	Screw	
4	12523060/0	6	Washer	
5	12293201/0	6	Nut	
7	82106000/2	1	Grasscatcher	
11	325774315/1	1	Bracket	
12	325755031/1	1	Bracket	
13	125510080/1	1	Pin	
14	12292102/0	1	Nut	
15	12735122/0	1	Screw	
16	125430210/1	1	Spring	
21	25600041/0	1	Micro Protection	
22	25600042/0	1	Protection Cover	
23	25318124/0	1	Lever	
24	12400030/0	1	Pin	
25	12728510/0	1	Screw	
26	25785272/0	1	Micro Protection	
27	25600048/0	1	Deflector Cover	
28	12728450/0	2	Screw	
71	82800051/0	1	Upper Frame	
72	82800002/2	1	Lower Frame	
73	25032001/1	1	Right Angular Support	
74	25032002/1	1	Left Angular Support	
75	82394001/2	1	Front Handle	
76	82650038/0	1	Lower Stiffening	
78	12792099/0	4	Screw	
79	12729601/1	4	Screw	
80	12582101/0	4	Grower	
81	12292100/0	4	Nut	
82	25869029/1	1	Rod	
83	25394508/0	1	Handle	
84	12792099/0	1	Screw	
85	12154510/0	1	Nut	
86	82180027/1	1	Screws Outfit (8÷15)	



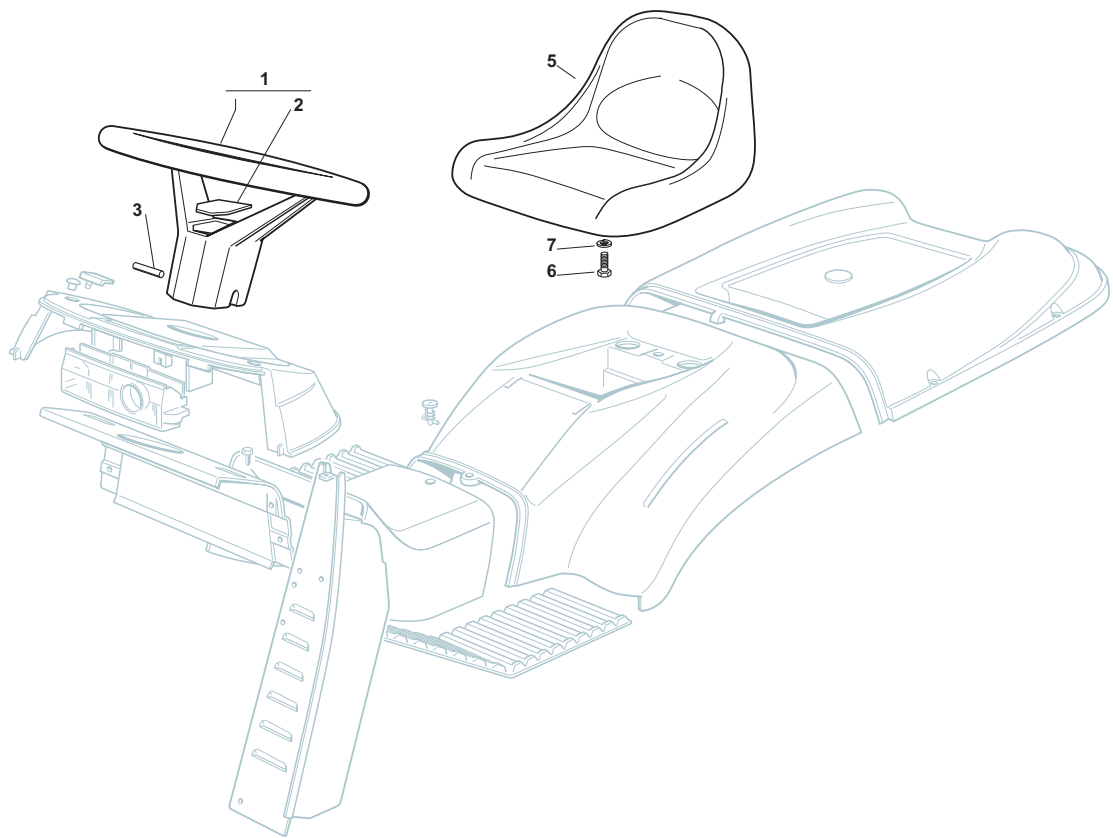
Electrical Parts				
POSITION	CODE	Q.TY	DESCRIPTION	NOTES
1	25722413/1	1	Electronic Card	
2	12735105/0	3	Screw	
4	25420004/0	1	Check Control (A)	use on models with engine BS1;BS2;BS3;K9;GPP;
4	25420005/0	1	Check Control (B)	use on models with engine BS4;H8
4	25420007/0	1	Check Control (C)	use on models with engine K10;H7
8	33340040/0	1	Fuse 10A	
8	33340036/0	1	Fuse 25 A	
9	33215000/0	2	Cover	
10	33500007/0	2	Fuse Carrier	
11	82040137/0	1	Cables Ass.Y	use on models with engine BS1;BS2;K9;K10;BS3;BS4;GPP;
11	82040140/0	1	Cables Ass.Y (Honda)	use on models with engine H7;H8;
12	18450065/1	1	Starting Switch	
13	18400861/0	1	Screwed Ring	
14	18565351/0	1	Screwed Ring Protection	
15	18210016/1	1	Starting Key	
16	18120002/1	1	Battery	
17	25430230/0	1	Spring	
31	119410615/0	3	Microswitch	
32	19410605/1	1	Full Grasscatc. Micro	
36	18450060/1	1	Farilamp Switch	
37	18230000/0	1	Hour Counter	
38	18450067/0	1	Clutch Switch	
39	18203852/0	1	Protection	
41	82040073/0	1	Cable	
42	33500030/0	2	Lamp Holder	
43	18459100/0	2	Farilamp For Lights	
46	133500010/1	1	Plate	
47	12735170/0	1	Screw	
51	33320506/0	5	Fairlead	
52	33320504/0	1	Fairlead	
54	18564864/1	1	Protection	
55	25290000/0	1	Fuel Level Indicator	



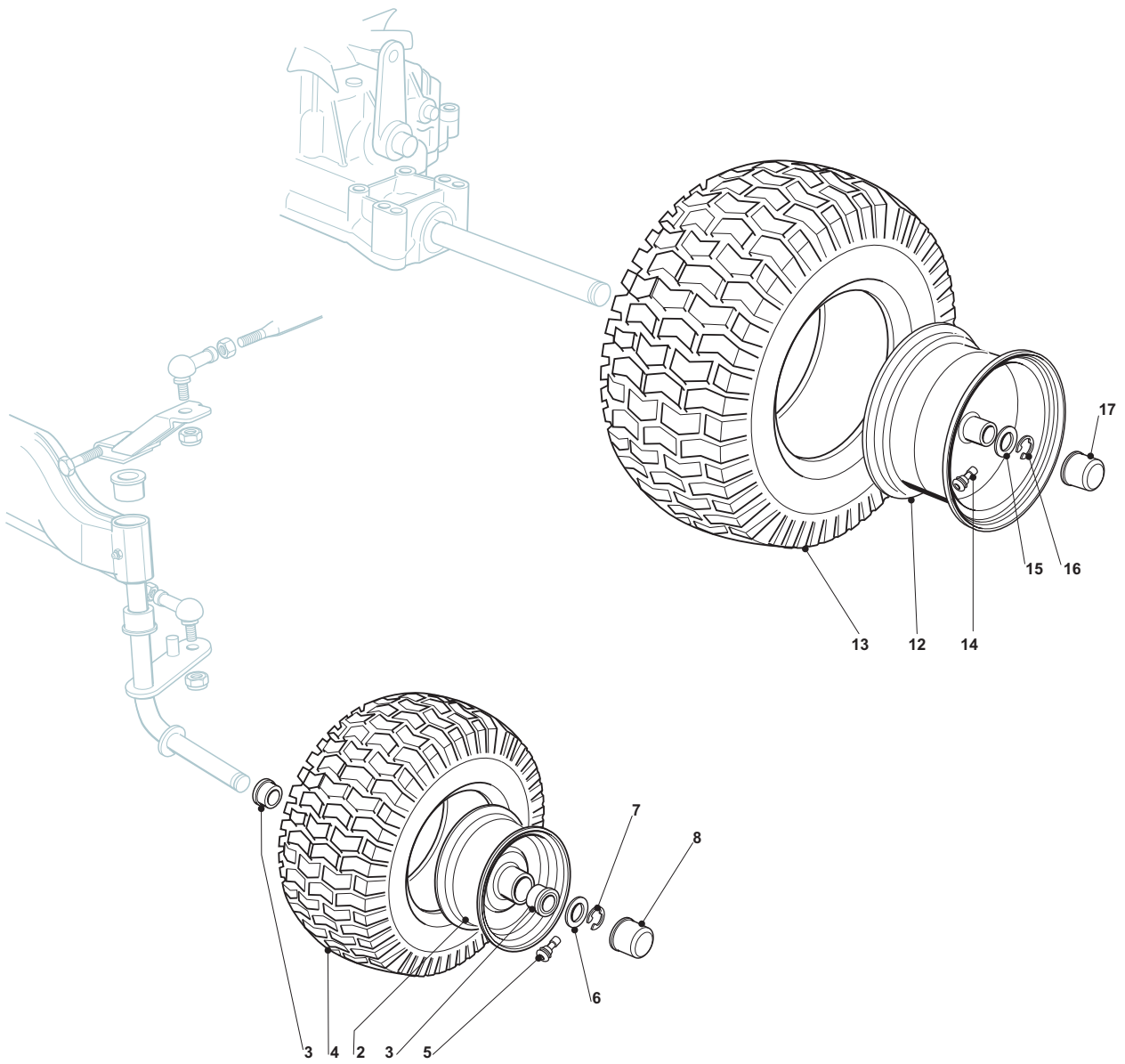
Optionals On Request				
POSITION	CODE	Q.TY	DESCRIPTION	NOTES
2	82400003/1	1	Ejection Guard	
3	25869043/0	1	Support	
4	18566112/0	2	Cap	
5	12689515/0	2	Screw	
6	12154510/0	2	Nut	
7	25510022/0	2	Pin	
8	24487998/0	2	Cotter Pin	
9	24487999/0	1	Cotter Pin	
22	25519997/1	1	Weight	
23	12760520/0	3	Screw	
24	12155000/0	3	Nut	
42	82735502/0	1	Bracket Right Hitch Support	
43	25774213/0	1	Bracket Left Hitch Support	
44	382033105/1	1	Rod	
45	25510021/1	1	Pin	
46	24487999/0	2	Cotter Pin	
51	182180090/0	1	Battery Charger	EU plug
51	182180091/0	1	Battery Charger (U.K.)	UK plug
72	25140092/0	1	Deflector	
73	25394005/0	1	Handle	
74	25510077/0	1	Pin	
75	25430245/0	1	Spring	
76	12735405/0	1	Screw	
77	25280000/1	1	Handgrip	
78	25840011/1	1	Elastic Tie-Rod	
79	25253004/0	2	Hook	



Labels				
POSITION	CODE	Q.TY	DESCRIPTION	NOTES
1	114357428/1	1	Label	
2	14356756/2	1	Label	use on models TCP;TCX;TCS;TCU;TCA;
3	14356177/2	1	Label	use on models TC;TCR;TCB;
4	14356184/3	1	Label	use on models TC;TCR;TCB;
6	14357967/0	1	Label	use on models TCP;TCX;TCS;TCU;TCA;
7	14357905/0	1	Label	use on models TC;TCR;TCB;
7	14357905/0	1	Label	use on models TCP;TCX;TCS;TCU;TCA;
8	114357526/1	1	Label	
10	114356699/1	2	Label	
11	14356754/1	1	Label	
13	14357913/0	1	Label	
19	14360912/0	1	Label	
20	114365612/0	1	Label	only for models with Cruise Control



Seat & Steering Wheel				
POSITION	CODE	Q.TY	DESCRIPTION	NOTES
1	25961213/0	1	Steering Wheel	
2	25120231/0	1	Cap	
3	12620299/0	1	Pin	
5	25722451/2	1	Seat	
6	12793102/0	4	Screw	
7	12583500/0	4	Grower	



Wheels				
POSITION	CODE	Q.TY	DESCRIPTION	NOTES
2	182000598/0	2	Rimm	
3	25122200/2	4	Bearing	
4	125590014/0	2	Tyre 13"	
4	127590066/0	2	Tyre 15"	
5	25950000/0	2	Valve	
6	25670005/1	2	Washer	
7	12001000/0	2	Snap Ring	
8	22110230/0	2	Hub Cover	
12	182000599/0	2	Rimm	
13	125590015/0	2	Shoe	
14	25950000/0	2	Valve	
15	25670005/1	2	Washer	
16	12001010/0	2	Snap Ring	
17	22110230/0	2	Hub Cover	