

ILLUSTRATED PARTS LIST

PAN 504 TR 4S

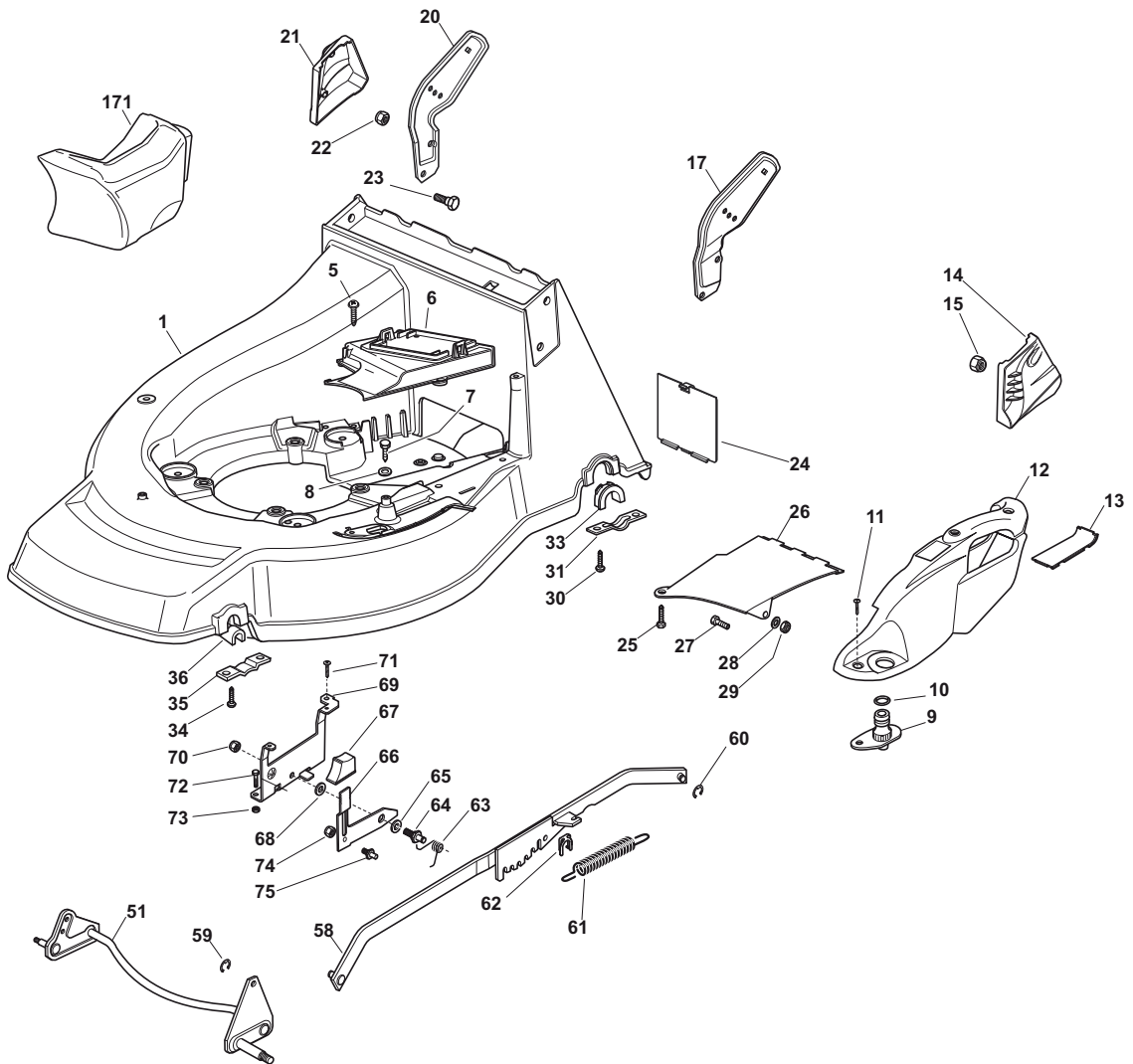


- Use GLOBAL GARDEN PRODUCT Genuine Spare Parts specified in the parts list for repair and/or replacement.
- The contents described in the parts list may change due to improvement.
- The drawings of the spare parts are only indicative and might not represent the part in question exactly.
- The indications "right" - "left" - "front" - "rear" refer to the position of the operator when using the machine.
- When placing orders of parts for repair and/or replacement, make sure that the illustrated parts list is the one applying to the machine's year of manufacture, as shown on the identification plate attached to the machine.

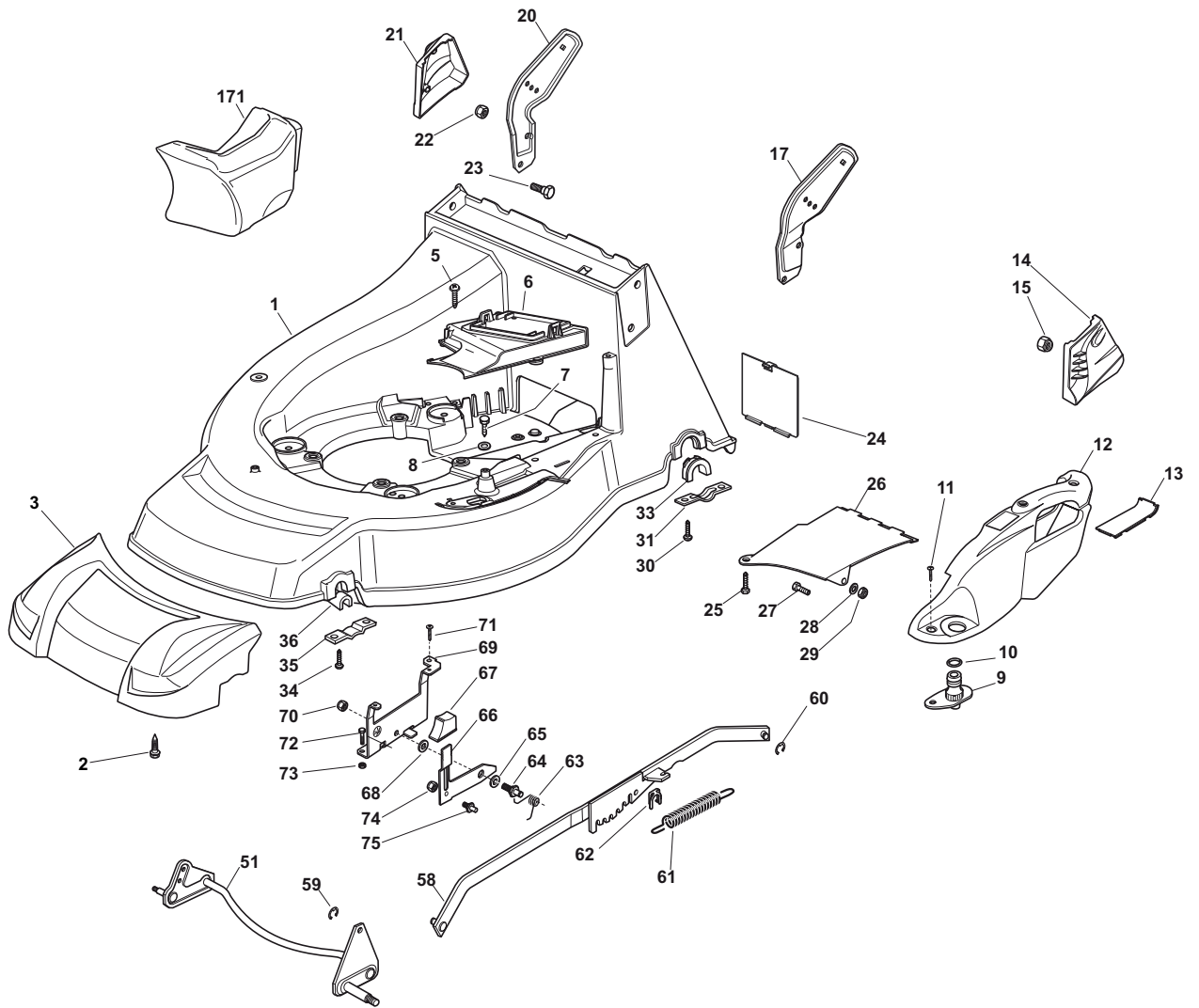
© Copyright 2012 Global Garden Products

All content is subject to copyright by Global Garden Products and may not be reproduced in whole or in part by any means, electronic or otherwise, without prior written approval.

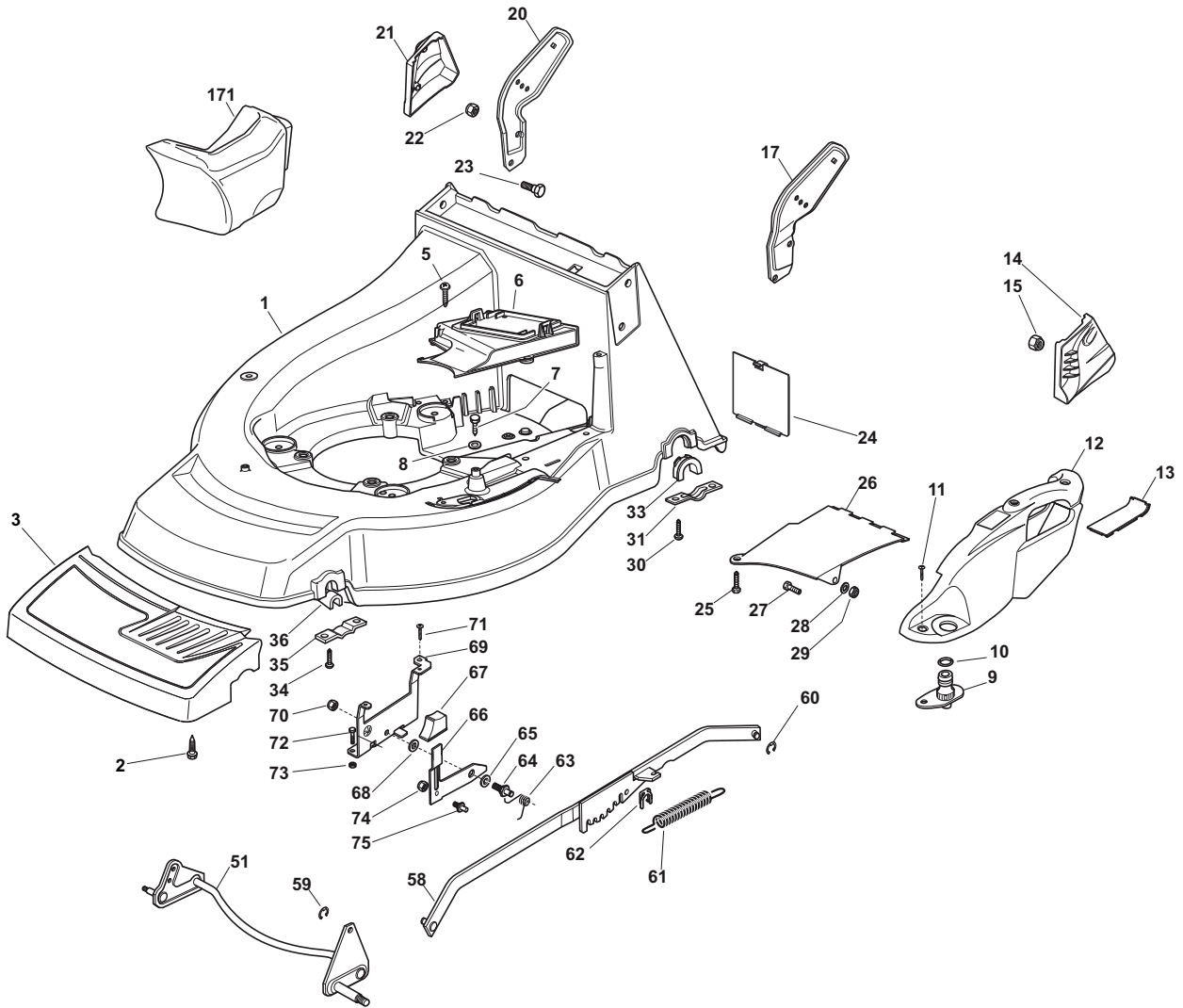
THIS INFORMATION IS NOT INTENDED FOR SALE OR RESALE, AND THIS NOTICE MUST REMAIN ON ALL COPIES.



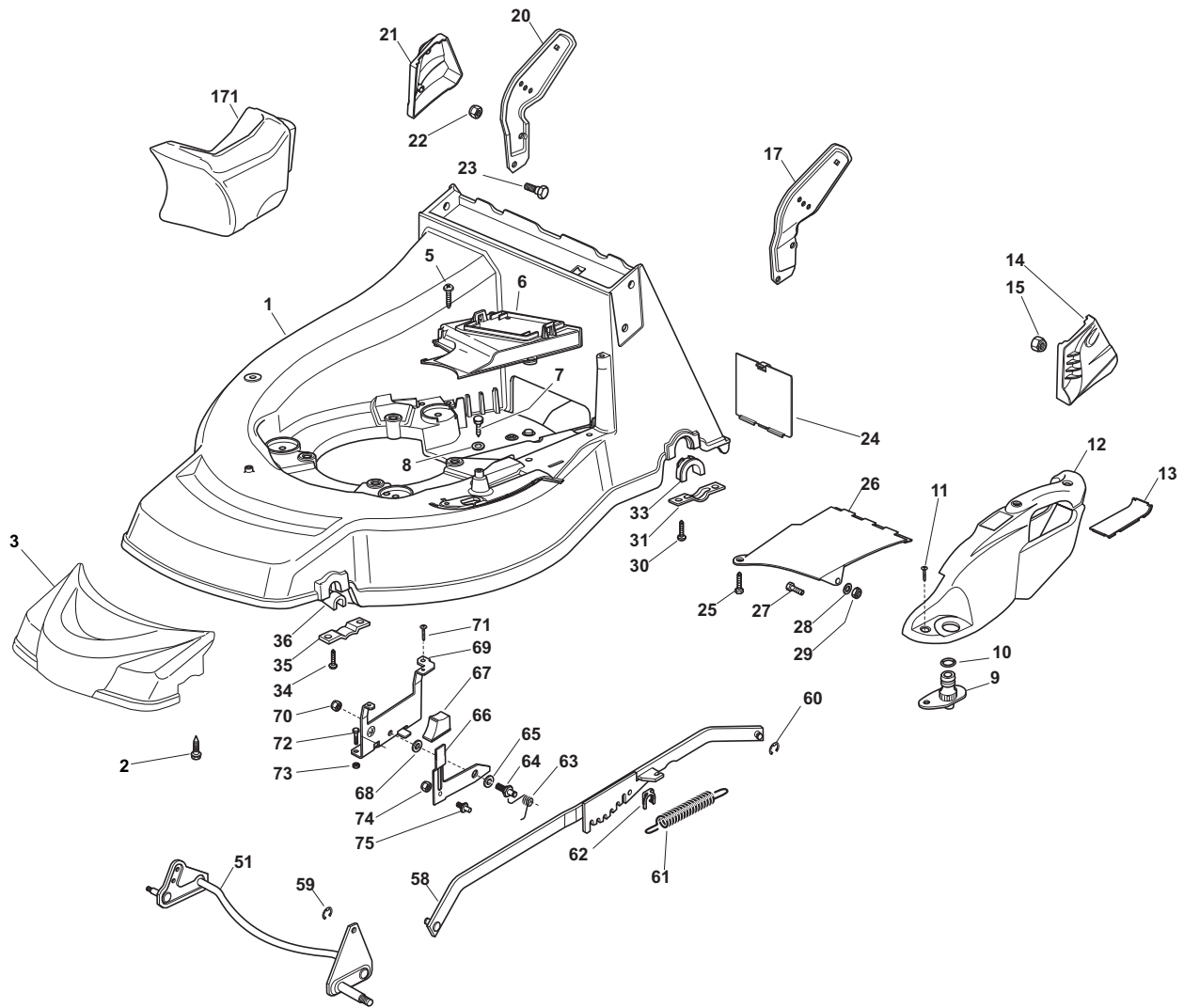
POS	PART. NO	Q.ty	DESCRIPTION	DESCRIZIONE	DESCRIPTION	BESCHREIBUNG	REMARKS
1	81003500/0	1	Deck Red	Chassis Rosso	Châssis Rouge	Gehäuse Rot	
5	12728522/0	2	Screw	Vite	Vis	Schraube	
6	22060221/0	1	Protection, Belt	Carter Cinghia	Protection	Schutz, Riemen	
7	12729600/0	1	Screw	Vite	Vis	Schraube	
8	12523040/0	2	Washer	Rosetta	Rondelle	Scheibe	
9	22034000/0	1	Washing Connection	Attacco Acqua Lavaggio	Attaque Lavage	Waschenverbindung	
10	19035000/0	1	Or Ring	Anello Or	Bague Or	Ring Or	
11	12728520/0	3	Screw	Vite	Vis	Schraube	
12	22060146/0	1	Deck, Adjustment	Carter Regolazione	Châssis Reglage	Gehäuse	
13	22546070/0	1	Plate	Piastrina	Plaquette	Platte	
14	22601003/0	1	Protection	Protezione	Protection	Schutz	
15	12155000/0	2	Nut	Dado	Ecrou	Mutter	
17	22778397/1	1	Bracket, L	Staffa Sx	Bride G	Pratze, Linke	
20	22778396/1	1	Bracket, R	Staffa Dx	Bride D	Pratze, Rechte	
21	322601002/1	1	Protection	Protezione	Protection	Schutz	
22	12155000/0	2	Nut	Dado	Ecrou	Mutter	
23	12793301/0	2	Screw	Vite	Vis	Schraube	
24	22595352/0	1	Inspection Door	Portina Chiusura	Voyant De Visite	Abdeckplatte	
25	12729600/0	1	Screw	Vite	Vis	Schraube	
26	22108205/0	1	Conveyor	Convogliatore	Convoyeur	Konveyor	
27	12789000/0	1	Screw	Vite	Vis	Schraube	
28	12523020/0	1	Washer	Rosetta	Rondelle	Scheibe	
29	12154330/0	1	Nut	Dado	Ecrou	Mutter	
30	12731350/0	4	Screw	Vite	Vis	Schraube	
31	22545147/0	2	Plate	Piastrina	Plaquette	Platte	
33	22038407/0	2	Brass	Bronzina	Douille	Buchse	
34	12731350/0	4	Screw	Vite	Vis	Schraube	
35	22545156/0	2	Plate	Piastrina	Plaquette	Platte	
36	22038400/1	2	Brass	Bronzina	Douille	Buchse	
51	381002865/0	1	Axle, Front Wheels	Asse Ruote Anteriori	Axe Roues Avant	Achse, Vorderrad	
58	381002039/1	1	Rod, Height Adjustment	Asta Comando Regol. Altezza	Tige Commande Reglage Hauteur	Stange, Höheverstellung	
59	12000930/0	1	Snap Ring	Anello Elastico	Anneau Ressort	Sprengring	
60	12000930/0	1	Snap Ring	Anello Elastico	Anneau Ressort	Sprengring	
61	122446187/0	1	Spring	Molla	Ressort	Feder	
62	112436051/0	1	Plate	Piastrina	Plaquette	Plättchen	
63	122446176/1	1	Spring	Molla	Ressort	Feder	
64	22517880/1	1	Pin	Perno	Pivot	Bolzen	
65	22672152/0	1	Washer	Rosetta	Rondelle	Scheibe	
66	22322829/1	1	Lever, Height Adjustment	Leva Regolazione Altezza	Levier, Reglage Hauteur	Hebel, Höheverstellung	
67	22602000/0	1	Pushbutton, Lever	Pulsante Comando	Bouton De	Steuerhebeldruckk	
68	22672151/0	1	Washer	Rosetta	Rondelle	Scheibe	
69	22785115/0	1	Support, Height	Supporto	Support Reglage	Halter,	
70	12155000/0	1	Nut	Dado	Ecrou	Mutter	
71	12729600/0	1	Screw	Vite	Vis	Schraube	
72	12793101/0	2	Screw	Vite	Vis	Schraube	
73	12293201/0	2	Nut	Dado	Ecrou	Mutter	
74	12154510/0	1	Nut	Dado	Ecrou	Mutter	
75	22519746/0	1	Pin	Perno	Pivot	Bolzen	
171	22140224/0	1	Cap	Tappo	Bouchon	Gummistopfen	



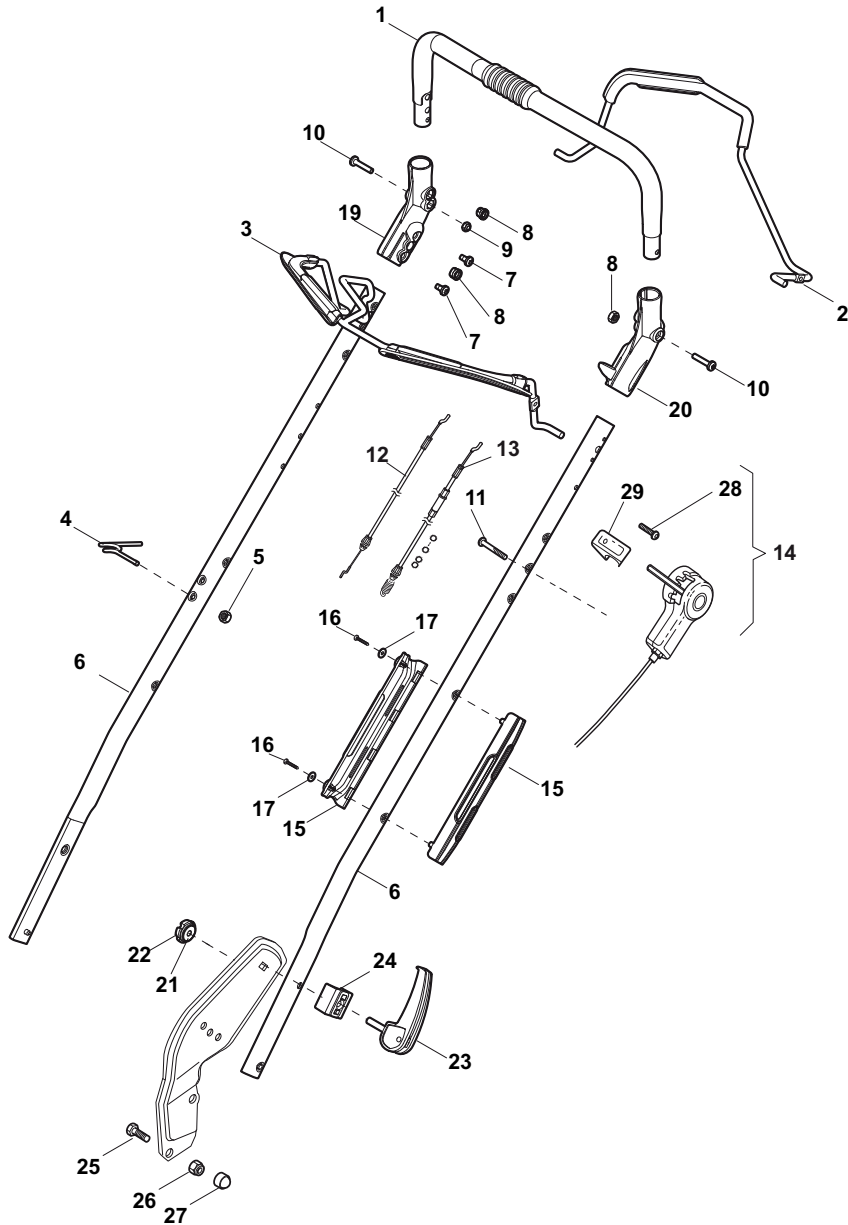
POS	PART. NO	Q.ty	DESCRIPTION	DESCRIZIONE	DESCRIPTION	BESCHREIBUNG	REMARKS
1	81003500/0	1	Deck Red	Chassis Rosso	Châssis Rouge	Gehäuse Rot	
2	112735420/0	4	Screw	Vite	Vis	Schraube	
3	322226112/1	1	Mask, Grey	Mascherina, Grigio	Mesque, Gris	Maske, Grau	
5	12728522/0	2	Screw	Vite	Vis	Schraube	
6	22060221/0	1	Protection, Belt	Carter Cinghia	Protection	Schutz, Riemen	
7	12729600/0	1	Screw	Vite	Vis	Schraube	
8	12523040/0	2	Washer	Rosetta	Rondelle	Scheibe	
9	22034000/0	1	Washing Connection	Attacco Acqua Lavaggio	Attaque Lavage	Waschenverbindung	
10	19035000/0	1	Or Ring	Anello Or	Bague Or	Ring Or	
11	12728520/0	3	Screw	Vite	Vis	Schraube	
12	22060146/0	1	Deck, Adjustment	Carter Regolazione	Châssis Reglage	Gehäuse	
13	22546070/0	1	Plate	Piastrina	Plaquette	Platte	
14	22601003/0	1	Protection	Protezione	Protection	Schutz	
15	12155000/0	2	Nut	Dado	Ecrou	Mutter	
17	22778397/1	1	Bracket, L	Staffa Sx	Bride G	Pratze, Linke	
20	22778396/1	1	Bracket, R	Staffa Dx	Bride D	Pratze, Rechte	
21	322601002/1	1	Protection	Protezione	Protection	Schutz	
22	12155000/0	2	Nut	Dado	Ecrou	Mutter	
23	12793301/0	2	Screw	Vite	Vis	Schraube	
24	22595352/0	1	Inspection Door	Portina Chiusura	Voyant De Visite	Abdeckplatte	
25	12729600/0	1	Screw	Vite	Vis	Schraube	
26	22108205/0	1	Conveyor	Convogliatore	Convoyeur	Konveyor	
27	12789000/0	1	Screw	Vite	Vis	Schraube	
28	12523020/0	1	Washer	Rosetta	Rondelle	Scheibe	
29	12154330/0	1	Nut	Dado	Ecrou	Mutter	
30	12731350/0	4	Screw	Vite	Vis	Schraube	
31	22545147/0	2	Plate	Piastrina	Plaquette	Platte	
33	22038407/0	2	Brass	Bronzina	Douille	Buchse	
34	12731350/0	4	Screw	Vite	Vis	Schraube	
35	22545156/0	2	Plate	Piastrina	Plaquette	Platte	
36	22038400/1	2	Brass	Bronzina	Douille	Buchse	
51	381002865/0	1	Axle, Front Wheels	Asse Ruote Anteriori	Axe Roues Avant	Achse, Vorderrad	
58	381002039/1	1	Rod, Height Adjustment	Asta Comando Regol. Altezza	Tige Commande Reglage Hauteur	Stange, Höherverstellung	
59	12000930/0	1	Snap Ring	Anello Elastico	Anneau Ressort	Sprengring	
60	12000930/0	1	Snap Ring	Anello Elastico	Anneau Ressort	Sprengring	
61	122446187/0	1	Spring	Molla	Ressort	Feder	
62	112436051/0	1	Plate	Piastrina	Plaquette	Plättchen	
63	122446176/1	1	Spring	Molla	Ressort	Feder	
64	22517880/1	1	Pin	Perno	Pivot	Bolzen	
65	22672152/0	1	Washer	Rosetta	Rondelle	Scheibe	
66	22322829/1	1	Lever, Height Adjustment	Leva Regolazione Altezza	Levier, Reglage Hauteur	Hebel, Höherverstellung	
67	22602000/0	1	Pushbutton, Lever	Pulsante Comando	Bouton De	Steuerhebeldruckk	
68	22672151/0	1	Washer	Rosetta	Rondelle	Scheibe	
69	22785115/0	1	Support, Height	Supporto	Support Reglage	Halter,	
70	12155000/0	1	Nut	Dado	Ecrou	Mutter	
71	12729600/0	1	Screw	Vite	Vis	Schraube	
72	12793101/0	2	Screw	Vite	Vis	Schraube	
73	12293201/0	2	Nut	Dado	Ecrou	Mutter	
74	12154510/0	1	Nut	Dado	Ecrou	Mutter	
75	22519746/0	1	Pin	Perno	Pivot	Bolzen	
171	22140224/0	1	Cap	Tappo	Bouchon	Gummistopfen	



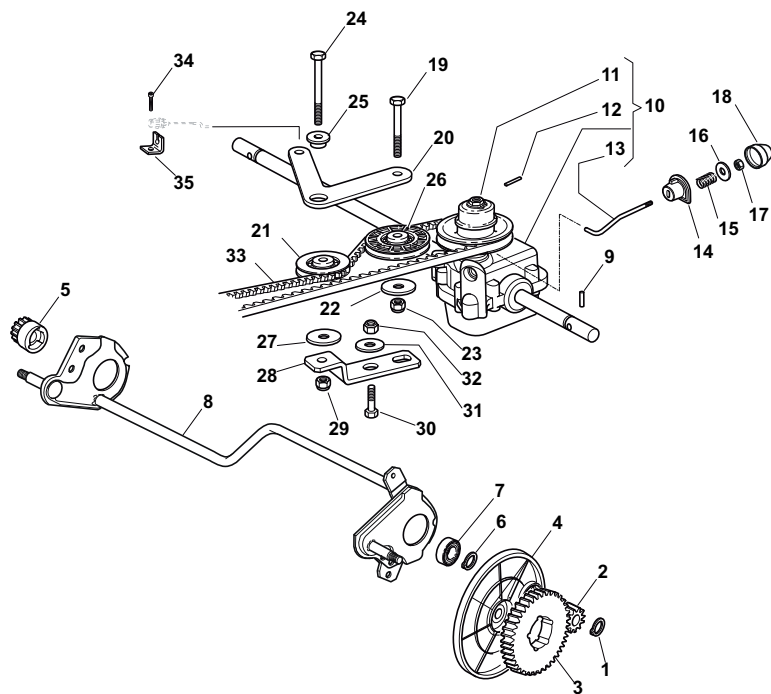
POS	PART. NO	Q.ty	DESCRIPTION	DESCRIZIONE	DESCRIPTION	BESCHREIBUNG	REMARKS
1	81003500/0	1	Deck Red	Chassis Rosso	Châssis Rouge	Gehäuse Rot	
2	112735420/0	4	Screw	Vite	Vis	Schraube	
3	22226050/0	1	Mask, Black	Mascherina, Nero	Mesque, Noir	Maske, Schwarz	
5	12728522/0	2	Screw	Vite	Vis	Schraube	
6	22060221/0	1	Protection, Belt	Carter Cinghia	Protection	Schutz, Riemen	
7	12729600/0	1	Screw	Vite	Vis	Schraube	
8	12523040/0	2	Washer	Rosetta	Rondelle	Scheibe	
9	22034000/0	1	Washing Connection	Attacco Acqua Lavaggio	Attaque Lavage	Waschenverbindung	
10	19035000/0	1	Or Ring	Anello Or	Bague Or	Ring Or	
11	12728520/0	3	Screw	Vite	Vis	Schraube	
12	22060146/0	1	Deck, Adjustment	Carter Regolazione	Châssis Reglage	Gehäuse	
13	22546070/0	1	Plate	Piastrina	Plaquette	Platte	
14	22601003/0	1	Protection	Protezione	Protection	Schutz	
15	12155000/0	2	Nut	Dado	Ecrou	Mutter	
17	22778397/1	1	Bracket, L	Staffa Sx	Bride G	Pratze, Linke	
20	22778396/1	1	Bracket, R	Staffa Dx	Bride D	Pratze, Rechte	
21	322601002/1	1	Protection	Protezione	Protection	Schutz	
22	12155000/0	2	Nut	Dado	Ecrou	Mutter	
23	12793301/0	2	Screw	Vite	Vis	Schraube	
24	22595352/0	1	Inspection Door	Portina Chiusura	Voyant De Visite	Abdeckplatte	
25	12729600/0	1	Screw	Vite	Vis	Schraube	
26	22108205/0	1	Conveyor	Convogliatore	Convoyeur	Konveyor	
27	12789000/0	1	Screw	Vite	Vis	Schraube	
28	12523020/0	1	Washer	Rosetta	Rondelle	Scheibe	
29	12154330/0	1	Nut	Dado	Ecrou	Mutter	
30	12731350/0	4	Screw	Vite	Vis	Schraube	
31	22545147/0	2	Plate	Piastrina	Plaquette	Platte	
33	22038407/0	2	Brass	Bronzina	Douille	Buchse	
34	12731350/0	4	Screw	Vite	Vis	Schraube	
35	22545156/0	2	Plate	Piastrina	Plaquette	Platte	
36	22038400/1	2	Brass	Bronzina	Douille	Buchse	
51	381002865/0	1	Axle, Front Wheels	Asse Ruote Anteriori	Axe Roues Avant	Achse, Vorderrad	
58	381002039/1	1	Rod, Height Adjustment	Asta Comando Regol. Altezza	Tige Commande Reglage Hauteur	Stange, Höheverstellung	
59	12000930/0	1	Snap Ring	Anello Elastico	Anneau Ressort	Sprengring	
60	12000930/0	1	Snap Ring	Anello Elastico	Anneau Ressort	Sprengring	
61	122446187/0	1	Spring	Molla	Ressort	Feder	
62	112436051/0	1	Plate	Piastrina	Plaquette	Plättchen	
63	122446176/1	1	Spring	Molla	Ressort	Feder	
64	22517880/1	1	Pin	Perno	Pivot	Bolzen	
65	22672152/0	1	Washer	Rosetta	Rondelle	Scheibe	
66	22322829/1	1	Lever, Height Adjustment	Leva Regolazione Altezza	Levier, Reglage Hauteur	Hebel, Höheverstellung	
67	22602000/0	1	Pushbutton, Lever	Pulsante Comando	Bouton De	Steuerhebeldruckk	
68	22672151/0	1	Washer	Rosetta	Rondelle	Scheibe	
69	22785115/0	1	Support, Height	Supporto	Support Reglage	Halter,	
70	12155000/0	1	Nut	Dado	Ecrou	Mutter	
71	12729600/0	1	Screw	Vite	Vis	Schraube	
72	12793101/0	2	Screw	Vite	Vis	Schraube	
73	12293201/0	2	Nut	Dado	Ecrou	Mutter	
74	12154510/0	1	Nut	Dado	Ecrou	Mutter	
75	22519746/0	1	Pin	Perno	Pivot	Bolzen	
171	22140224/0	1	Cap	Tappo	Bouchon	Gummistopfen	



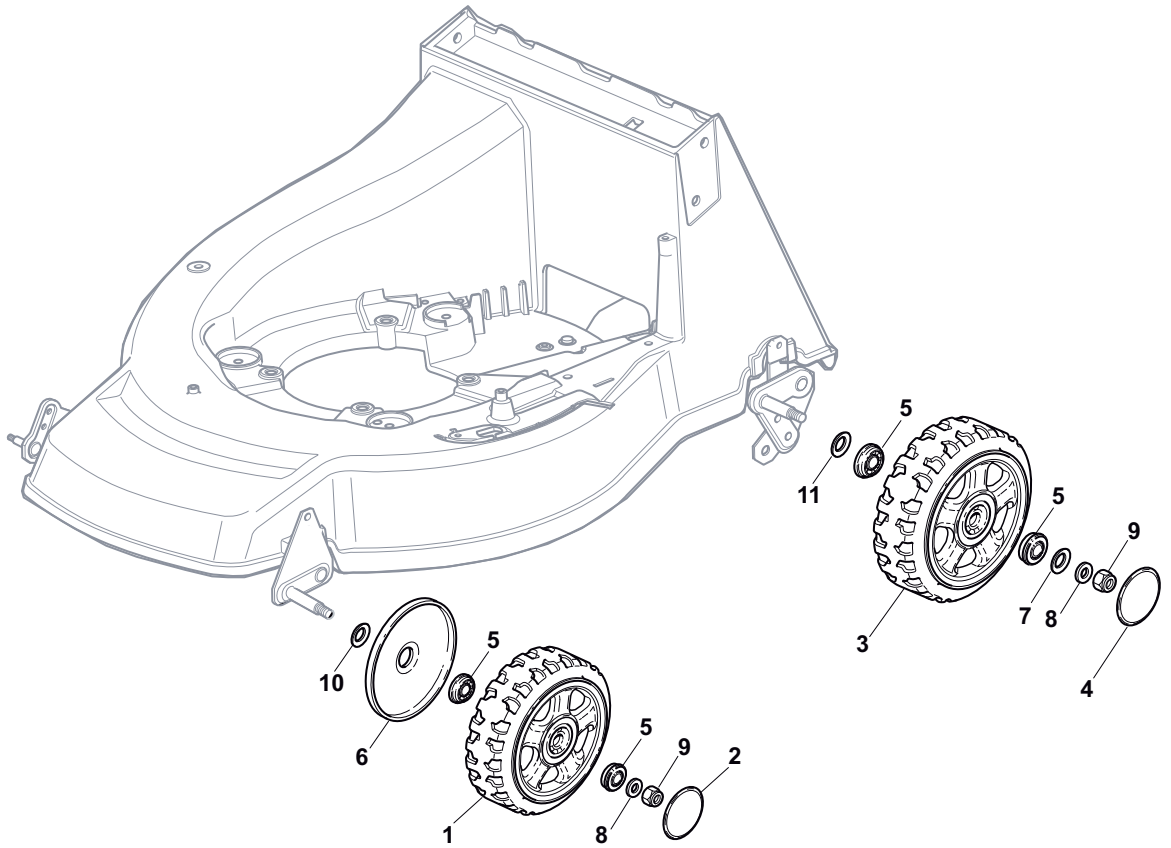
POS	PART. NO	Q.ty	DESCRIPTION	DESCRIZIONE	DESCRIPTION	BESCHREIBUNG	REMARKS
1	81003500/0	1	Deck Red	Chassis Rosso	Châssis Rouge	Gehäuse Rot	
2	112735420/0	4	Screw	Vite	Vis	Schraube	
3	322226124/0	1	Mask, Black	Mascherina, Nero	Mesque, Noire	Maske, Schwarz	
5	12728522/0	2	Screw	Vite	Vis	Schraube	
6	22060221/0	1	Protection, Belt	Carter Cinghia	Protection Courroire	Schutz, Riemen	
7	12729600/0	1	Screw	Vite	Vis	Schraube	
8	12523040/0	2	Washer	Rosetta	Rondelle	Scheibe	
9	22034000/0	1	Washing Connection	Attacco Acqua Lavaggio	Attaque Lavage	Waschenverbindung	
10	19035000/0	1	Or Ring	Anello Or	Bague Or	Ring Or	
11	12728520/0	3	Screw	Vite	Vis	Schraube	
12	22060146/0	1	Deck, Adjustment	Carter Regolazione	Châssis Reglage	Gehäuse	
13	22546070/0	1	Plate	Piastrina	Plaquette	Plättchen	
14	22601003/0	1	Protection	Protezione	Protection	Schutz	
15	12155000/0	2	Nut	Dado	Ecrou	Mutter	
17	22778397/1	1	Bracket, L	Staffa Sx	Bride G	Pratze, Linke	
20	22778396/1	1	Bracket, R	Staffa Dx	Bride D	Pratze, Rechte	
21	322601002/1	1	Protection	Protezione	Protection	Schutz	
22	12155000/0	2	Nut	Dado	Ecrou	Mutter	
23	12793301/0	2	Screw	Vite	Vis	Schraube	
24	22595352/0	1	Inspection Door	Portina Chiusura	Voyant De Visite	Abdeckplatte	
25	12729600/0	1	Screw	Vite	Vis	Schraube	
26	22108205/0	1	Conveyor	Convogliatore	Convoyeur	Konveyor	
27	12789000/0	1	Screw	Vite	Vis	Schraube	
28	12523020/0	1	Washer	Rosetta	Rondelle	Scheibe	
29	12154330/0	1	Nut	Dado	Ecrou	Mutter	
30	12731350/0	4	Screw	Vite	Vis	Schraube	
31	22545147/0	2	Plate	Piastrina	Plaquette	Plättchen	
33	22038407/0	2	Brass	Bronzina	Douille	Buchse	
34	12731350/0	4	Screw	Vite	Vis	Schraube	
35	22545156/0	2	Plate	Piastrina	Plaquette	Plättchen	
36	22038400/1	2	Brass	Bronzina	Douille	Buchse	
51	81002801/1	1	Axle, Front Wheels	Asse Ruote Anteriore	Axe Roues Avant	Achse, Vorderrad	
58	381002039/1	1	Rod, Height Adjustment	Asta Comando Regol. Altezza	Tige Commande Reglage Hauteur	Stange, Höheverstellung	
59	12000930/0	1	Snap Ring	Anello Elastico	Anneau Ressort	Sprengring	
60	12000930/0	1	Snap Ring	Anello Elastico	Anneau Ressort	Sprengring	
61	122446187/0	1	Spring	Molla	Ressort	Feder	
62	112436051/0	1	Plate	Piastrina	Plaquette	Plättchen	
63	22446176/0	1	Spring	Molla	Ressort	Feder	
63	122446176/1	1	Spring	Molla	Ressort	Feder	
64	22517880/1	1	Pin	Perno	Pivot	Bolzen	
65	22672152/0	1	Washer	Rosetta	Rondelle	Scheibe	
66	22322829/1	1	Lever, Height Adjustment	Leva Regolazione Altezza	Levier, Reglage Hauteur	Hebel, Höheverstellung	
67	22602000/0	1	Pushbutton, Lever	Pulsante Comando	Bouton De	Steuerhebeldruckk	
68	22672151/0	1	Washer	Rosetta	Rondelle	Scheibe	
69	22785115/0	1	Support, Height	Supporto	Support Reglage	Halter,	
70	12155000/0	1	Nut	Dado	Ecrou	Mutter	
71	12729600/0	1	Screw	Vite	Vis	Schraube	
72	12793101/0	2	Screw	Vite	Vis	Schraube	
73	12293201/0	2	Nut	Dado	Ecrou	Mutter	
74	12154510/0	1	Nut	Dado	Ecrou	Mutter	
75	22519746/0	1	Pin	Perno	Pivot	Bolzen	
171	22140224/0	1	Cap	Tappo	Bouchon	Gummistopfen	



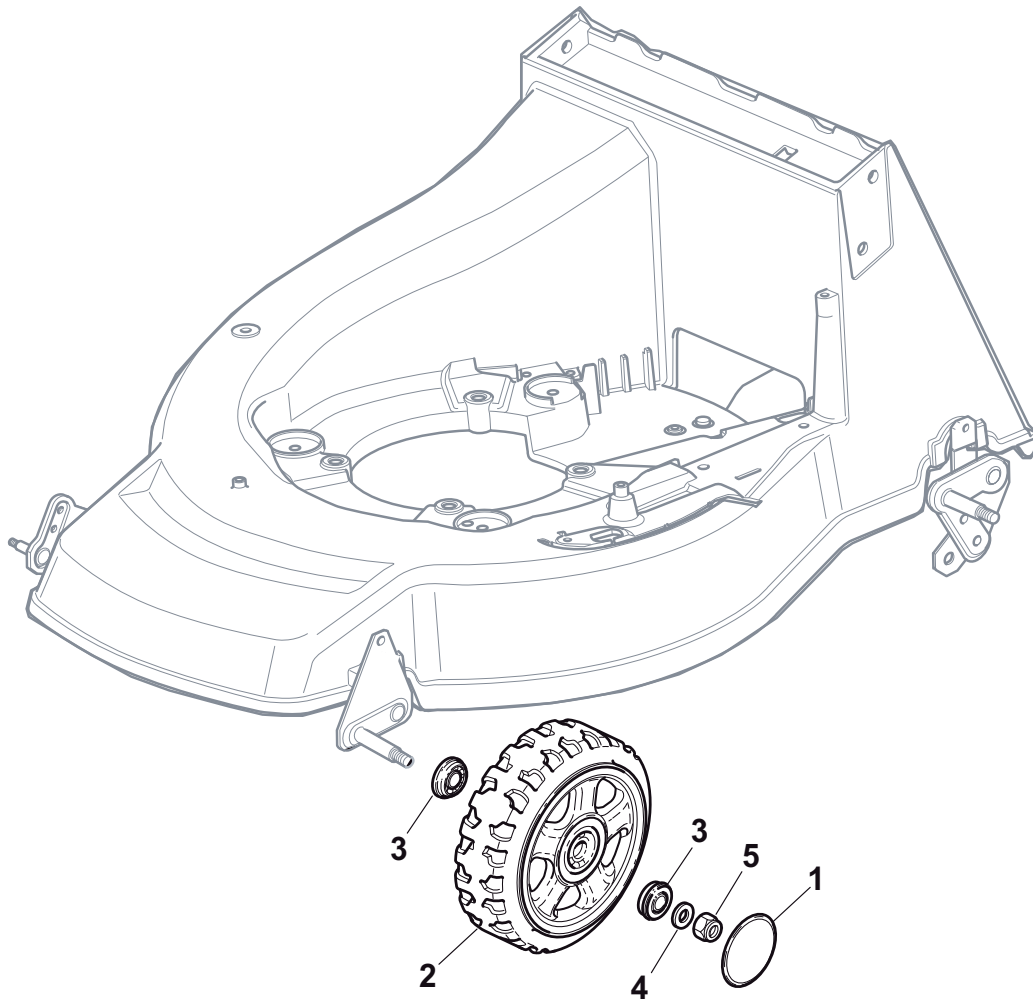
POS	PART. NO	Q.ty	DESCRIPTION	DESCRIZIONE	DESCRIPTION	BESCHREIBUNG	REMARKS
1	381006670/2	1	Handgrip	Impugnatura Manico	Poignée	Handgriff	
2	381003349/0	1	Lever, Driving	Leva Trazione	Levier Traction	Hebel, Antrieb	
3	381003344/0	1	Lever, Engine Brake	Leva Freno Motore	Levier Frein Moteur	Hebel, Motorbremse	
4	22430309/0	1	Guide Spring	Molla Guida	Ressort De Guide	Feder Führer	
5	12154330/0	1	Nut	Dado	Ecrou	Mutter	
6	381007046/0	2	Handle Black, R	Manico Nero, Parte Dx	Mancheron Noire, D	Holm Schwarz, Rechte	
6	381007047/0	2	Handle Grey, R	Manico Grigio, Parte Dx	Mancheron Gris, D	Holm Grau, Rechte	
7	112735662/1	4	Screw	Vite	Vis	Schraube	
8	322041967/1	4	Bush	Bussola	Douille	Buchse	
9	12154510/0	3	Nut	Dado	Ecrou	Mutter	
10	112728721/0	2	Screw	Vite	Vis	Schraube	
11	12727786/0	2	Screw	Vite	Vis	Schraube	
12	181030077/0	1	Cable, Thread Eng. Brake	Cavo Freno Motore	Cable Frein Moteur	Kabel, Motorbremse	
13	381030078/1	1	Cable, Rear Drive	Cavo Comando Trazione	Câble, Commande Traction	Kabel, Antrieb	
14	381007189/0	1	Cable, Speed Drive Control	Cavo Comando Marce	Cable, Comm. Changement Vitesse	Kabel, Gängeschaltun	
15	322806644/0	2	Protection	Protezione	Protection	Schutz	
16	112727812/0	2	Screw	Vite	Vis	Schraube	
17	112523000/1	2	Washer	Rosetta	Rondelle	Scheibe	
19	322488301/0	1	Support , R	Supporto, Parte Dx	Support, D	Halter, Rechte	
20	322488303/0	1	Support, L	Supporto, Parte Sx	Support, G	Halter, Linke	
21	22131750/0	2	Nut	Dado	Ecrou	Mutter	
22	322399835/0	2	Knob	Manopolina	Poignée	Griff	
23	322399804/1	2	Knob	Manopolina	Poignée	Griff	
24	322680017/0	2	Support	Supporto	Support	Halter	
25	12793102/0	2	Screw	Vite	Vis	Schraube	
26	12155000/0	2	Nut	Dado	Ecrou	Mutter	
27	18203854/0	2	Protection	Cappuccio	Capuchon	Stecker	
28	12728300/0	2	Screw	Vite	Vis	Schraube	
29	322399820/0	1	Knob	Manopolina	Poignée	Griff	



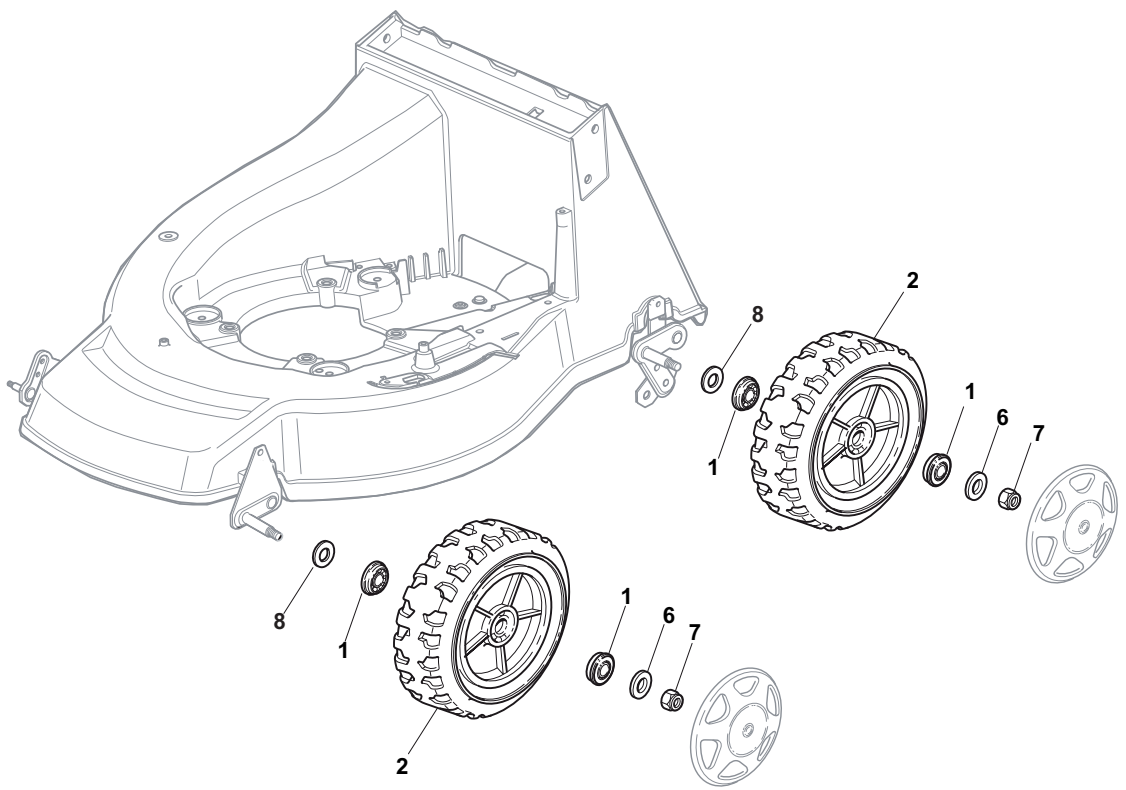
POS	PART. NO	Q.ty	DESCRIPTION	DESCRIZIONE	DESCRIPTION	BESCHREIBUNG	REMARKS
1	12608600/0	2	Seeger	Seeger	Seeger	Seeger	
2	22570120/1	1	Pinion L	Pignone Sx	Pignon G	Ritzel Linkes	
3	22120105/1	2	Ring Gear	Corona	Couronne	Kranz	
4	22600091/1	2	Protection, Wheel	Prot. Ruote	Protection Roue	Schütz, Räder	
5	22570110/1	1	Pinion R	Pignone Dx	Pignon D	Ritzel Rechtes	
6	12608600/0	2	Seeger	Seeger	Seeger	Seeger	
7	19216035/0	2	Bearing	Cuscinetto	Coussinet	Lager	
8	81002811/0	1	Axle, Rear Wheels	Asse Ruote Posteriori	Axe Roues Arriere	Achse, Hinterrad	
9	22753000/0	2	Pin	Spina	Goupille	Stift	
10	181003097/1	1	Gear Box	Gruppo Trazione	Groupe Traction	Antrieb	
11	122601925/0	1	Pulley	Puleggia	Poulie	Riemenscheibe	
12	12645705/0	1	Pin	Spina	Goupille	Stift	
13	22033286/1	1	Adjustment Rod	Asta Regolazione	Tige Reglage	Verstellungstange	
14	22041957/1	1	Bush	Bussola	Douille	Buchse	
15	22450063/0	1	Spring	Molla	Ressort	Feder	
16	22680009/0	1	Washer	Rosetta	Rondelle	Scheibe	
17	12154510/0	1	Nut	Dado	Ecrou	Mutter	
18	22110230/0	1	Cap	Tappo	Bouchon	Gummistopfen	
19	12674701/0	1	Screw	Vite	Vis	Schraube	
20	22320005/0	1	Lever	Leva	Levier	Hebel	
21	22601915/0	1	Pulley	Puleggia	Poulie	Riemenscheibe	
22	12523050/0	1	Washer	Rosetta	Rondelle	Scheibe	
23	12154510/0	1	Nut	Dado	Ecrou	Mutter	
24	12689500/0	1	Screw	Vite	Vis	Schraube	
25	22671656/0	1	Washer	Rondella	Rondelle	Scheibe	
26	22601914/0	1	Pulley	Puleggia	Poulie	Riemenscheibe	
27	12523050/0	1	Washer	Rosetta	Rondelle	Scheibe	
28	22806627/0	1	Support	Supporto	Support	Halter	
29	12154510/0	1	Nut	Dado	Ecrou	Mutter	
30	12791011/0	1	Screw	Vite	Vis	Schraube	
31	12523040/0	1	Washer	Rosetta	Rondelle	Scheibe	
32	12154510/0	1	Nut	Dado	Ecrou	Mutter	
33	35064390/0	1	Belt	Cinghia	Courroie	Riemen	
34	12729601/1	1	Screw	Vite	Vis	Schraube	
35	22806619/0	1	Support	Supporto	Support	Halter	



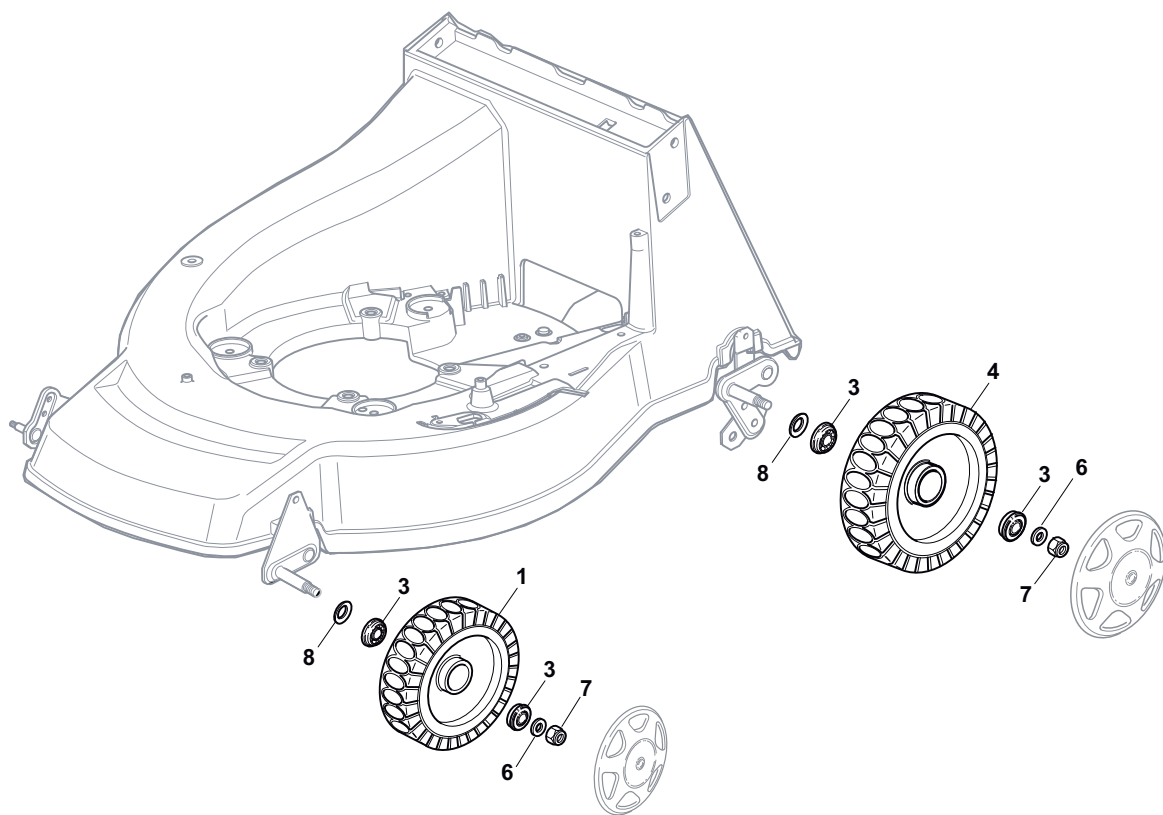
POS	PART. NO	Q.ty	DESCRIPTION	DESCRIZIONE	DESCRIPTION	BESCHREIBUNG	REMARKS
1	381007378/0	2	Wheel Ø 170	Ruota Ø 170	Roue Ø 170	Rad. Ø 170	
2	22110418/0	2	Hub Cap	Coprimezzo	Couvre-Moyeu	Radkappe	
3	81007382/0	2	Wheel Ø 210	Ruota Ø 210	Roue Ø 210	Rad. Ø 210	
4	22110419/0	2	Hub Cap	Coprimezzo	Couvre-Moyeu	Radkappe	
5	22122200/0	8	Bearing	Cuscinetto	Coussinet	Lager	
6	22600144/0	2	Protection	Protezione	Protection	Schutz	
7	22675100/0	2	Washer	Rosetta	Rondelle	Scheibe	
8	12521350/0	4	Washer	Rosetta	Rondelle	Scheibe	
9	12155000/0	4	Nut	Dado	Ecrou	Mutter	
10	12530150/0	2	Elastic Washer	Rosetta Elastica	Rondelle Elastique	Elastische Scheibe	
11	12530151/0	2	Washer	Rosetta	Rondelle	Scheibe	



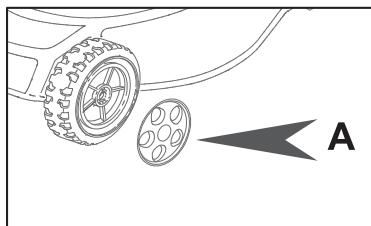
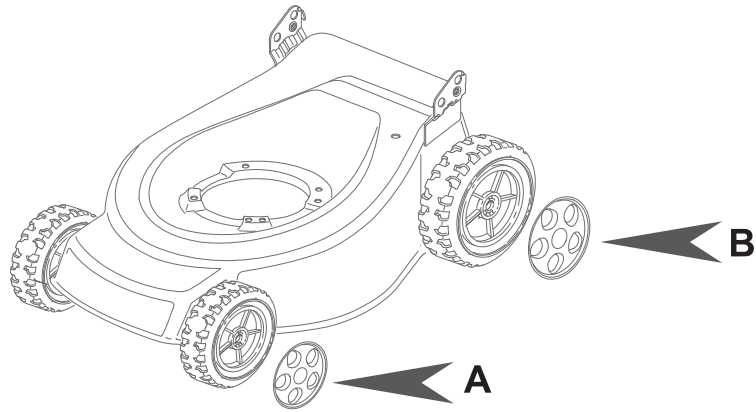
POS	PART. NO	Q.ty	DESCRIPTION	DESCRIZIONE	DESCRIPTION	BESCHREIBUNG	REMARKS
1	22110419/0	4	Hub Cap	Coprimozzo	Couvre-Moyeu	Radkappe	
2	81007382/0	2	Wheel Ø 210	Ruota Ø 210	Roue Ø 210	Rad. Ø 210	
3	22122200/0	8	Bearing	Cuscinetto	Coussinet	Lager	
4	22675100/0	4	Washer	Rosetta	Rondelle	Scheibe	
5	12521350/0	4	Washer	Rosetta	Rondelle	Scheibe	



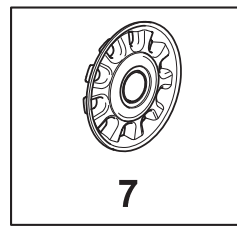
POS	PART. NO	Q.ty	DESCRIPTION	DESCRIZIONE	DESCRIPTION	BESCHREIBUNG	REMARKS
1	22122200/0	8	Bearing	Cuscinetto	Coussinet	Lager	
2	381007390/1	4	Wheel Ø 210	Ruota Ø 210	Roue Ø 210	Rad Ø 210	
6	12521350/0	8	Washer	Rosetta	Rondelle	Scheibe	
7	12155000/0	8	Nut	Dado	Ecrou	Mutter	
8	12530150/0	4	Elastic Washer	Rosetta Elastica	Rondelle Elastique	Elastische Scheibe	



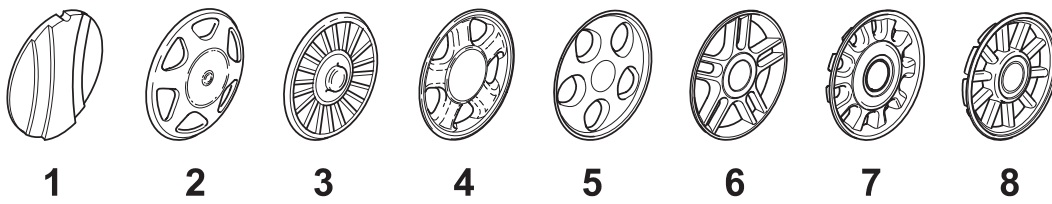
POS	PART. NO	Q.ty	DESCRIPTION	DESCRIZIONE	DESCRIPTION	BESCHREIBUNG	REMARKS
1	81007317/0	2	Wheel Ø 170	Ruota Ø 170	Roue Ø 170	Rad. Ø 170	
2	22110395/0	2	Hub Cap	Coprimozzo	Couvre-Moyeu	Radkappe	
3	22122200/0	8	Bearing	Cuscinetto	Coussinet	Lager	
4	81007318/1	2	Wheel Ø 210	Ruota Ø 210	Roue Ø 210	Rad. Ø 210	
6	12521350/0	4	Washer	Rosetta	Rondelle	Scheibe	
7	12155000/0	4	Nut	Dado	Ecrou	Mutter	
8	12530150/0	4	Elastic Washer	Rosetta Elastica	Rondelle Elastique	Elastische Scheibe	



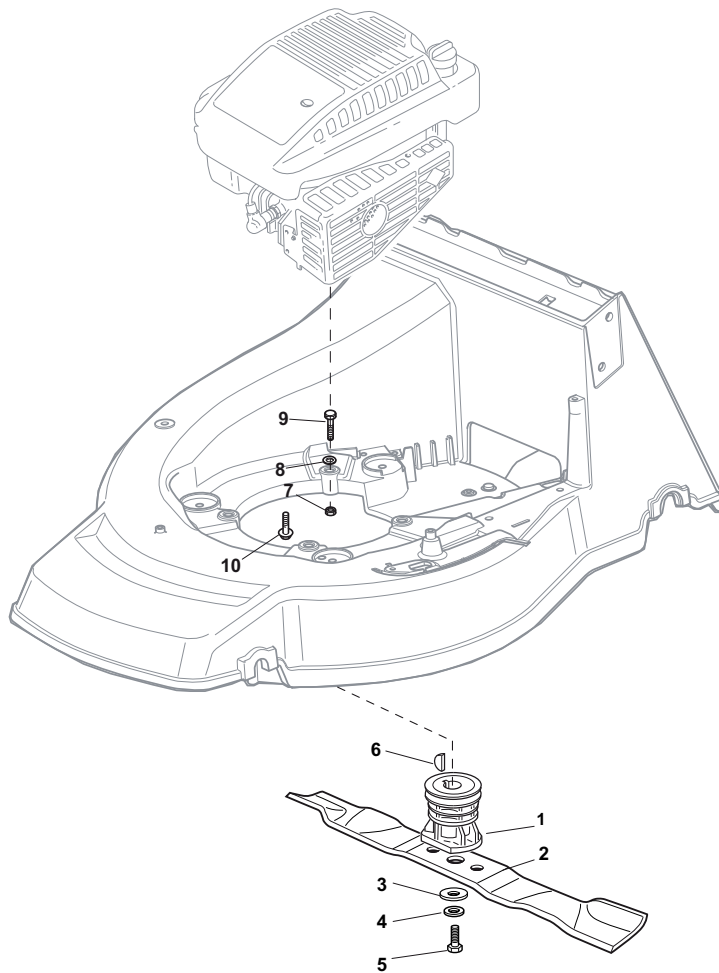
+



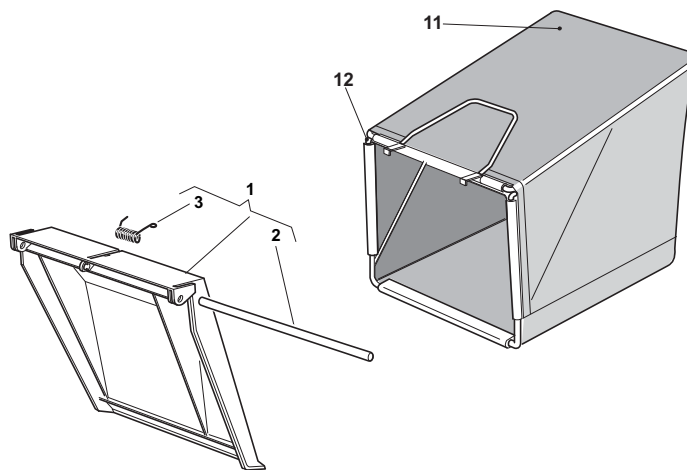
= A7



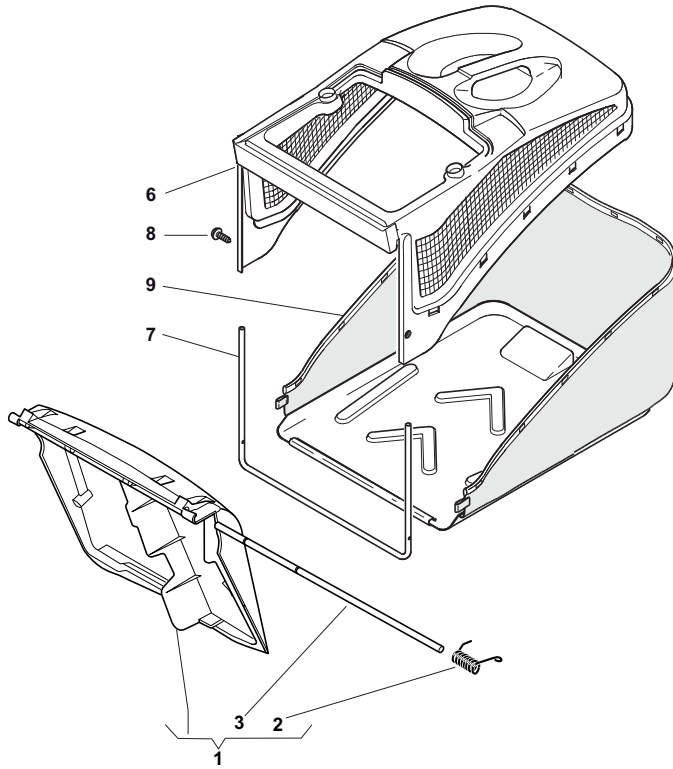
POS	PART. NO	Q.ty	DESCRIPTION	DESCRIZIONE	DESCRIPTION	BESCHREIBUNG	REMARKS
B1	22110251/0	2	Hub Cap White	Coprimozzo Bianco	Couvre-Moyeu	Radkappe Weiße	
A1	22110252/1	2	Hub Cap White	Coprimozzo Bianco	Couvre-Moyeu	Radkappe Weiße	
B1	22110253/0	2	Hub Cap Yellow	Coprimozzo Giallo	Couvre-Moyeu	Radkappe Gelbe	
A1	22110254/0	2	Hub Cap Yellow	Coprimozzo Giallo	Couvre-Moyeu	Radkappe Gelbe	
A1	22110255/1	2	Hub Cap Red	Coprimozzo Rosso	Couvre-Moyeu	Radkappe Rote	
B1	22110256/0	2	Hub Cap Red	Coprimozzo Rosso	Couvre-Moyeu	Radkappe Rote	
A1	22110285/1	2	Hub Cap Grey	Coprimozzo Grigio	Couvre-Moyeu	Radkappe	
B1	22110286/0	2	Hub Cap Grey	Coprimozzo Grigio	Couvre-Moyeu	Radkappe	
B2	22110313/0	2	Hub Cap Grey	Coprimozzo Grigio	Couvre-Moyeu	Radkappe	
B2	22110314/0	2	Hub Cap Grey	Coprimozzo Grigio	Couvre-Moyeu	Radkappe	
A2	22110344/0	2	Hub Cap White	Coprimozzo Bianco	Couvre-Moyeu	Radkappe Weiße	
A2	22110395/0	2	Hub Cap Grey	Coprimozzo Grigio	Couvre-Moyeu	Radkappe	
A3	22110347/0	2	Hub Cap Grey	Coprimozzo Grigio	Couvre-Moyeu	Radkappe	
B3	22110381/0	2	Hub Cap Grey	Coprimozzo Grigio	Couvre-Moyeu	Radkappe	
A4	22110382/0	2	Hub Cap Grey	Coprimozzo Grigio	Couvre-Moyeu	Radkappe	
B4	22110416/0	2	Hub Cap Grey	Coprimozzo Grigio	Couvre-Moyeu	Radkappe	
B5	22110417/0	2	Hub Cap Grey	Coprimozzo Grigio	Couvre-Moyeu	Radkappe	
A6	22110491/0	2	Hub Cap Grey	Coprimozzo Grigio	Couvre-Moyeu	Radkappe	
B6	22110492/0	2	Hub Cap Grey	Coprimozzo Grigio	Couvre-Moyeu	Radkappe	
A7	22110493/0	2	Hub Cap Grey	Coprimozzo Grigio	Couvre-Moyeu	Radkappe	
B7	22110494/0	2	Hub Cap Grey	Coprimozzo Grigio	Couvre-Moyeu	Radkappe	
A8	22110495/0	2	Hub Cap Grey	Coprimozzo Grigio	Couvre-Moyeu	Radkappe	
B8	22110496/0	2	Hub Cap Grey	Coprimozzo Grigio	Couvre-Moyeu	Radkappe	



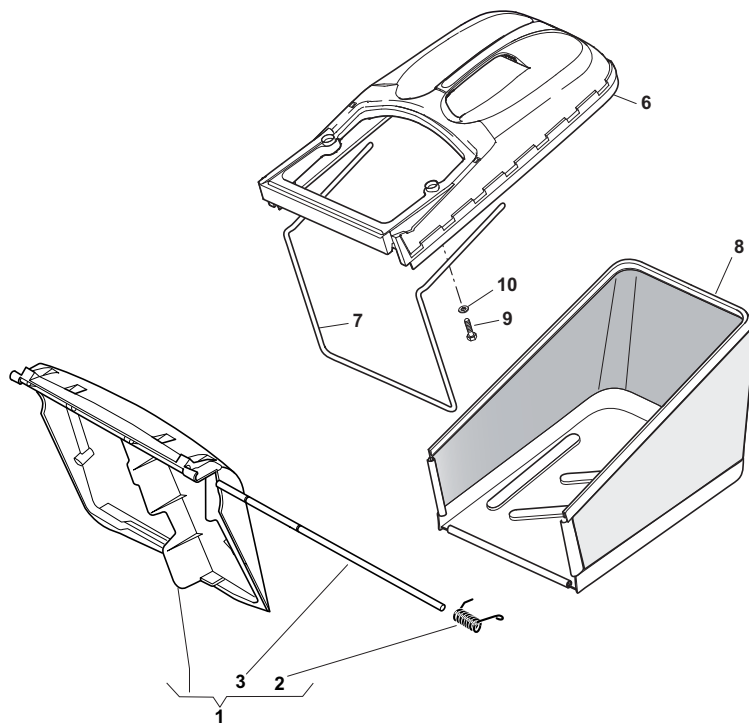
POS	PART. NO	Q.ty	DESCRIPTION	DESCRIZIONE	DESCRIPTION	BESCHREIBUNG	REMARKS
1	122465607/3	1	Hub With Pulley, Crankshaft Ø 22	Mozzo Con Puleggia, Albero Motore Ø 22	Moyeu Avec Poulie, Arbre Moteur Ø 22	Nabe Mit Scheibe, Motorwelle Ø 22	GGP-B&S
1	122465608/2	1	Hub With Pulley, Crankshaft Ø 25	Mozzo Con Puleggia, Albero Motore Ø 25	Moyeu Avec Poulie, Arbre Moteur Ø 25	Nabe Mit Scheibe, Motorwelle Ø 25	Honda
2	81004366/2	1	Blade Standard	Coltello Standard	Lame Standard	Messer Standard	
3	22160400/0	1	Elastic Washer	Disco Elastico	Rondelle Elastique	Elastischescheibe	
4	12523080/0	1	Washer	Rosetta	Rondelle	Scheibe	
5	12735698/0	1	Screw	Vite	Vis	Schraube	
6	12139100/0	1	Feather, Crankshaft Ø 22.2	Linguetta, Albero Motore Ø 22.2	Clavette, Arbre Moteur Ø 22.2	Keil, Motorwelle Ø 22.2	GGP-B&S
6	12139150/0	1	Feather, Crankshaft Ø 25	Linguetta, Albero Motore Ø 25	Clavette, Arbre Moteur Ø 25	Keil, Motorwelle Ø 25	Honda
7	12155000/0	3	Nut	Dado	Ecrou	Mutter	
8	12521350/0	3	Washer	Rosetta	Rondelle	Scheibe	
9	12691800/0	2	Screw	Vite	Vis	Schraube	B&S
9	12692080/0	1	Screw	Vite	Vis	Schraube	B&S
9	12691900/0	3	Screw	Vite	Vis	Schraube	GGP
10	112735108/1	3	Screw	Vite	Vis	Schraube	Honda



POS	PART. NO	Q.ty	DESCRIPTION	DESCRIZIONE	DESCRIPTION	BESCHREIBUNG	REMARKS
1	381008041/0	1	Stone-Guard	Parasassi	Pare-Pierres	Prallblech	
2	22517907/0	1	Pin	Perno	Pivot	Bolzen	
2	22517856/1	1	Pin	Perno	Pivot	Bolzen	
3	22450270/0	1	Spring	Molla	Ressort	Feder	
11	81002124/1	1	Box, Fabric	Sacco, Tela	Sac, Toile	Sack, Tuck	
12	81006430/0	1	Chassis Box	Telaio Sacco	Châssis Bac	Rahmen Sack	



POS	PART. NO	Q.ty	DESCRIPTION	DESCRIZIONE	DESCRIPTION	BESCHREIBUNG	REMARKS
1	381008050/0	1	Stone-Guard	Parasassi	Pare-Pierres	Prallblech	
2	22451000/0	1	Spring	Molla	Ressort	Feder	
3	22517857/0	1	Pin	Perno	Pivot	Bolzen	
6	22486094/0	1	Grass-Box, Upper	Sacco, Parte Sup	Sac, Partie	Korb, Oberteil	
7	22608524/0	1	Stiffening Lower	Rinforzo Inf	Réinforcement Inf	Verstärkung	
8	12728445/0	2	Screw	Vite	Vis	Schraube	
9	81002196/0	1	Box, Fabric	Sacco, Tela	Sac, Toile	Sack, Tuck	



POS	PART. NO	Q.ty	DESCRIPTION	DESCRIZIONE	DESCRIPTION	BESCHREIBUNG	REMARKS
1	381008050/0	1	Stone-Guard	Parasassi	Pare-Pierres	Prallblech	
2	22451000/0	1	Spring	Molla	Ressort	Feder	
3	22517857/0	1	Pin	Perno	Pivot	Bolzen	
6	22486102/0	1	Grass-Box, Upper	Sacco, Parte Sup	Sac, Partie	Korb, Oberteil	
7	22608526/0	1	Stiffening Lower	Rinforzo Inf	Réinforcement Inf	Verstärkung	
8	81002212/0	1	Box, Fabric	Sacco, Tela	Sac, Toile	Sack, Tuck	
9	12728680/0	2	Screw	Vite	Vis	Schraube	
10	12523050/0	2	Washer	Rosetta	Rondelle	Scheibe	