

Parts Catalogue

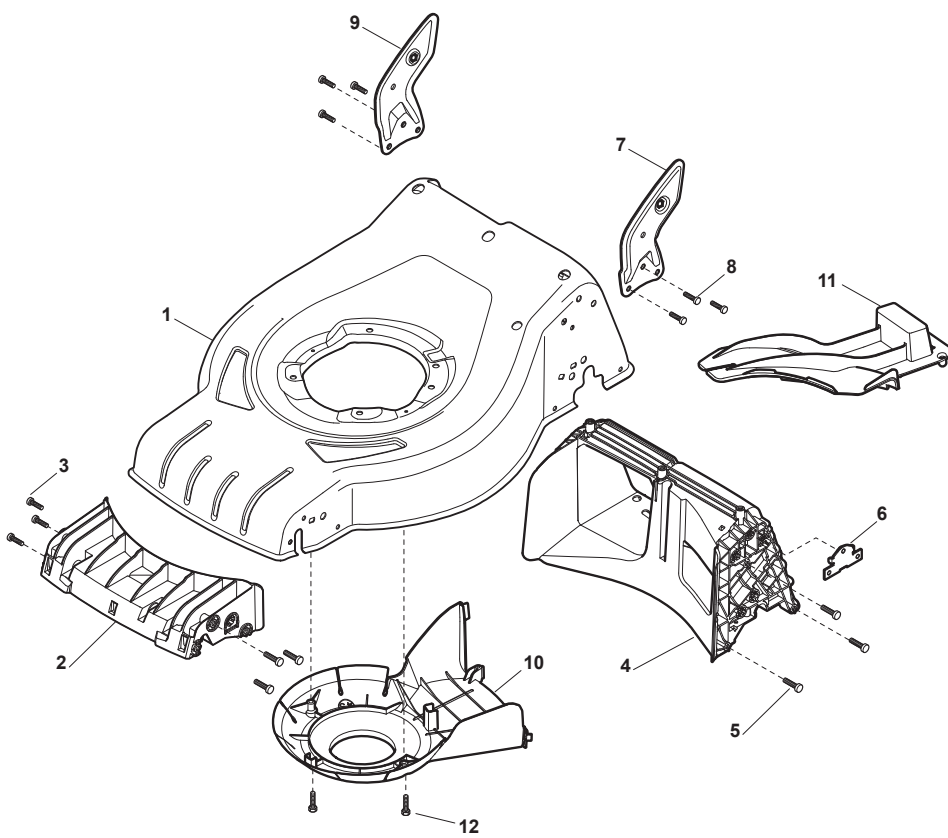
for model
PM485TB - CR 484 WS

- Use ST. S.p.A. Genuine Spare Parts specified in the parts list for repair and/or replacement.
- The contents described in the parts list may change due to improvement.
- The drawings of the spare parts are only indicative and might not represent the part in question exactly.
- The indications "right" - "left" - "front" - "rear" refer to the position of the operator when using the machine.
- When placing orders of parts for repair and/or replacement, make sure that the illustrated parts list is the one applying to the machine's year of manufacture, as shown on the identification plate attached to the machine.

© Copyright 2018 ST. S.p.A.

All content is subject to copyright by ST. S.p.A. and may not be reproduced in whole or in part by any means, electronic or otherwise, without prior written approval.

THIS INFORMATION IS NOT INTENDED FOR SALE OR RESALE, AND THIS NOTICE MUST REMAIN ON ALL COPIES.

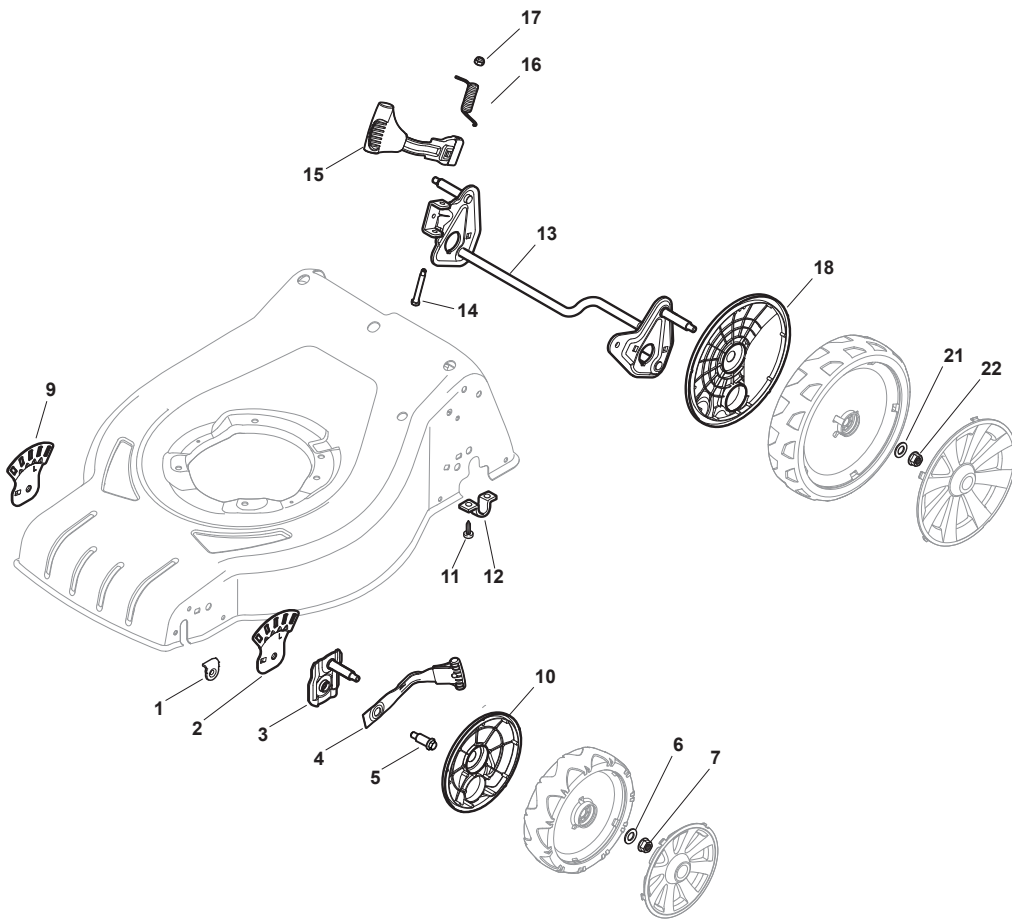


PM485TB

Petrol Lawn Mower Deck

Issue 32 - 2017

Fig.	Q.ty	Part No	Description	Notes
1	1	381004018/0	Red Deck	
2	1	322108301/1	Front Conveyor Assy	
3	6	112728699/0	Screw	
4	1	322108302/0	Rear Conveyor Assy	
5	6	112728699/0	Screw	
6	2	322545213/0	Plate	
7	1	381005139/0	Left Bracket	
8	6	112727801/0	Screw	
9	1	381005137/0	Right Bracket	
10	1	322060242/0	Belt Protection	
11	1	322140239/0	Mulching Deflector	
12	2	112728530/0	Screw	

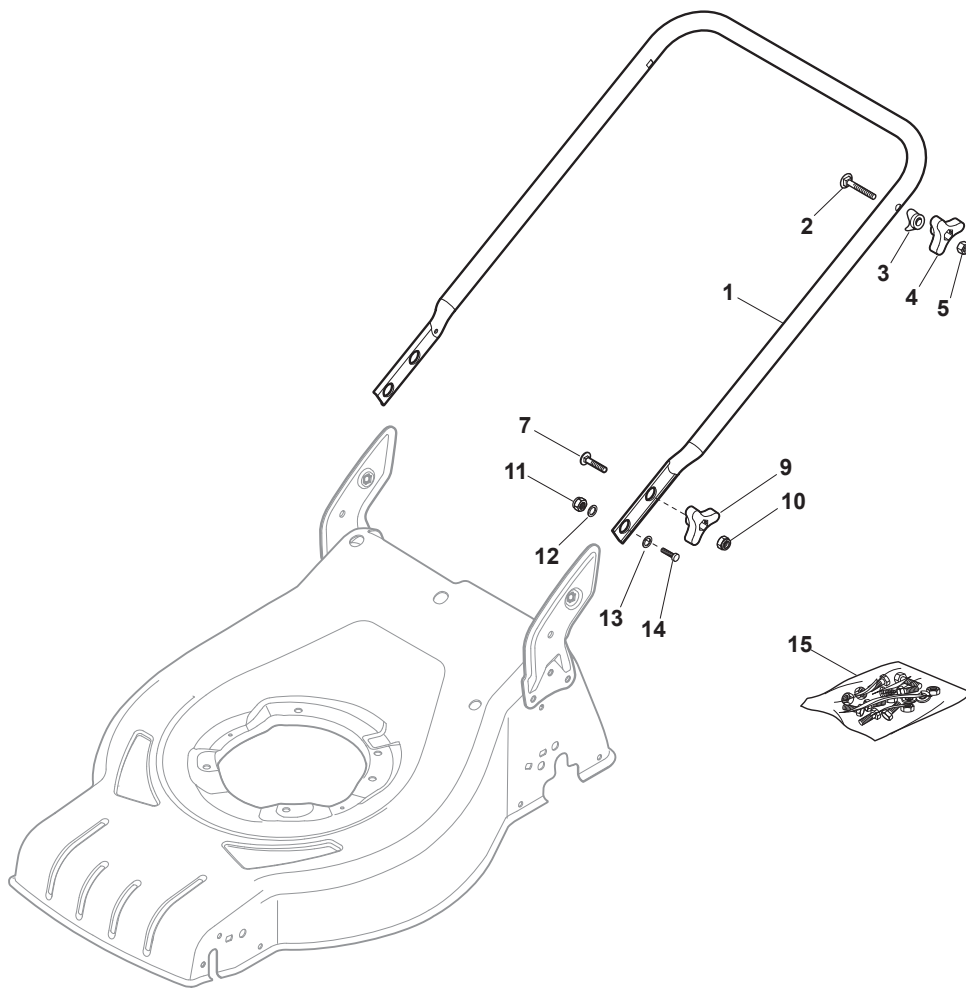


PM485TB

Petrol Lawn Mower Height Adjusting

Issue 32 - 2017

Fig.	Q.ty	Part No	Description	Notes
1	2	322545189/0	Plate	
2	1	322735597/1	Sector, Height Adjustment	
3	2	381005159/0	Wheel Support	
4	2	381003354/0	Lever, Height Adjustment	
5	2	122519811/0	Pin	
6	2	112521350/0	Washer	
7	2	112155000/0	Nut	
9	1	322735595/1	Sector, Height Adjustment	
10	2	322600247/0	Protection, Wheel	D. 180
11	4	112728698/0	Screw	
12	2	322545152/0	Plate	
13	1	381302817/0	Rear Wheel Axle	
14	1	122534131/0	Pin	
15	1	381003357/0	Wheels Rear Adj. Lever	
16	1	122446192/0	Spring	
17	1	112154510/0	Nut	
18	1	322600205/1	Protection, Wheel	
21	2	112521350/0	Washer	
22	2	112155000/0	Nut	

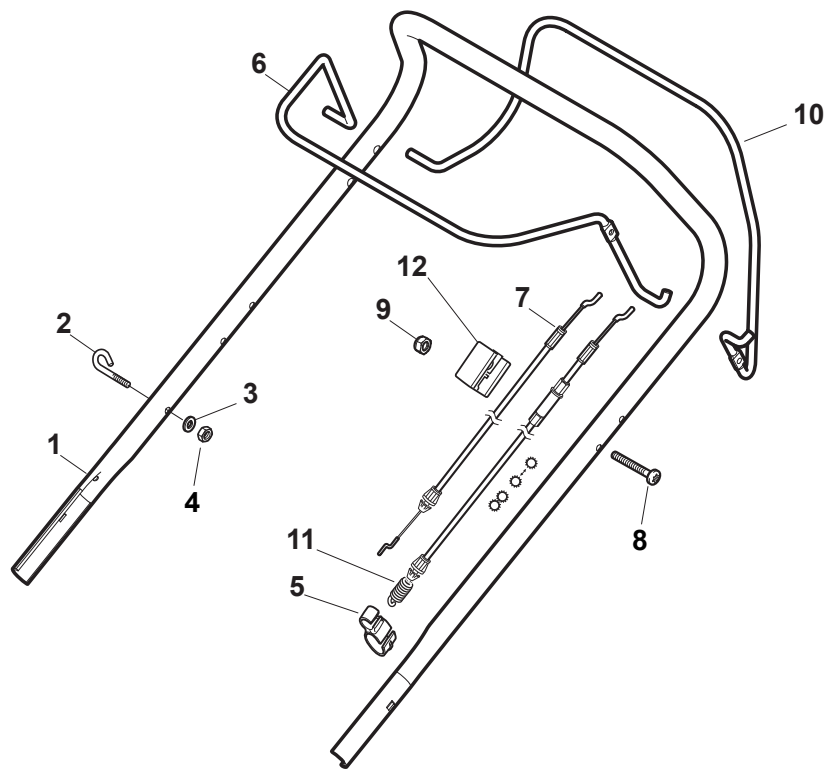


PM485TB

Petrol Lawn Mower Handle, Lower Part

Issue 32 - 2017

Fig.	Q.ty	Part No	Description	Notes
1	1	381006737/0	Handle Lower Part	Black
2	2	112819110/0	Screw	
3	2	122671651/0	Washer	
4	2	122399900/0	Knob	Black
5	2	112293200/0	Nut	
7	2	112818900/0	Screw	
9	2	122399900/0	Knob	Black
10	2	112293200/0	Nut	
11	2	112155000/0	Nut	
12	2	112521350/0	Washer	
13	2	112369500/0	Elastic Washer	
14	2	112760605/0	Screw	
15	1	381008691/0	Outfit, Screws	Black

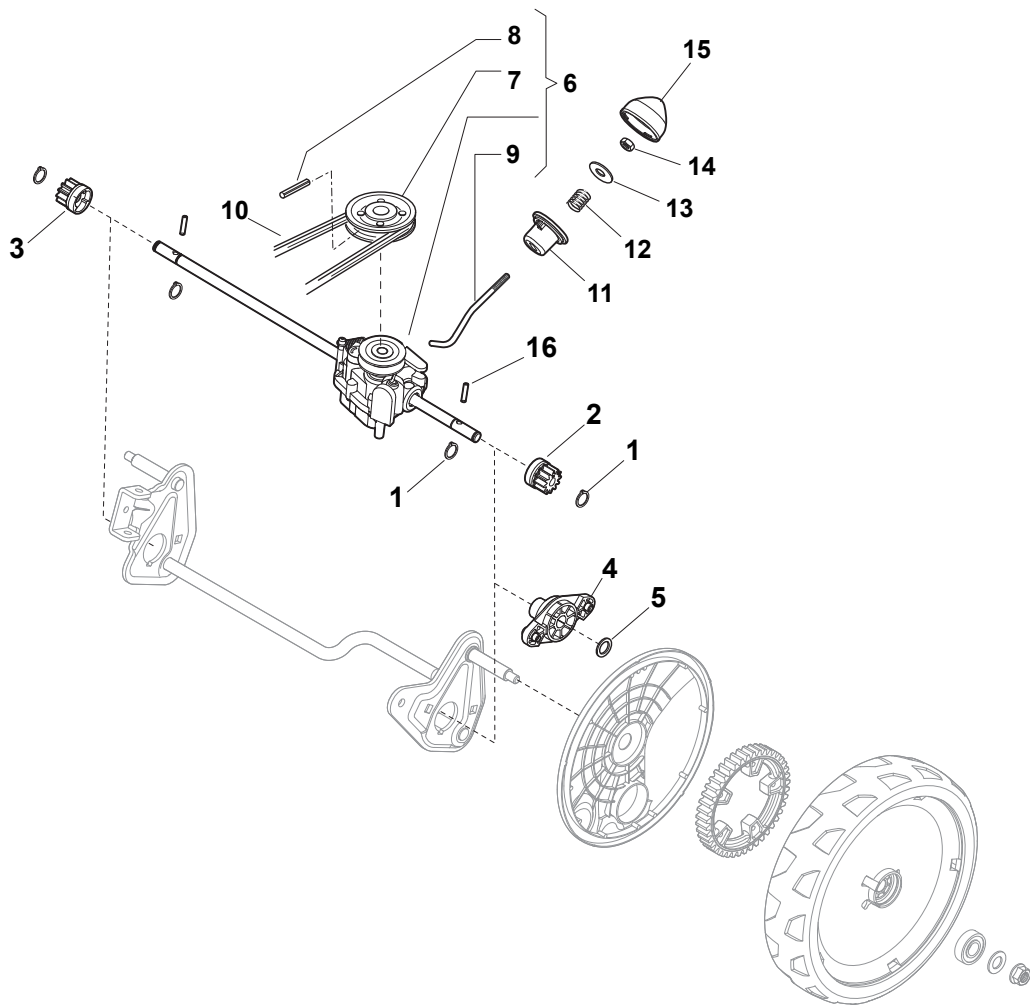


PM485TB

Petrol Lawn Mower Handle, Upper Part

Issue 32 - 2017

Fig.	Q.ty	Part No	Description	Notes
1	1	381006739/1	Handle, Upper Part	Black with Sponge
1	1	381006745/1	Handle, Upper Part with sponge handgrip	Black without Sponge
2	1	122430313/0	Guide Spring	
3	1	112521330/0	Washer	
4	1	112154510/0	Nut	
5	1	118390020/0	Conduit Clip	
6	1	181003363/1	Lever, Engine Brake Black	Black
7	1	181030056/0	Cable, Thread Engine Brake	B&S 575/550/500 Series and GGP 100cc / GGP /B&S Engine
8	1	112727783/0	Screw	
9	1	112154510/0	Nut	
10	1	181003364/0	Drive Control Lever	Black
11	1	381030051/0	Cable Rear Drive	
12	1	322551640/0	Plate	

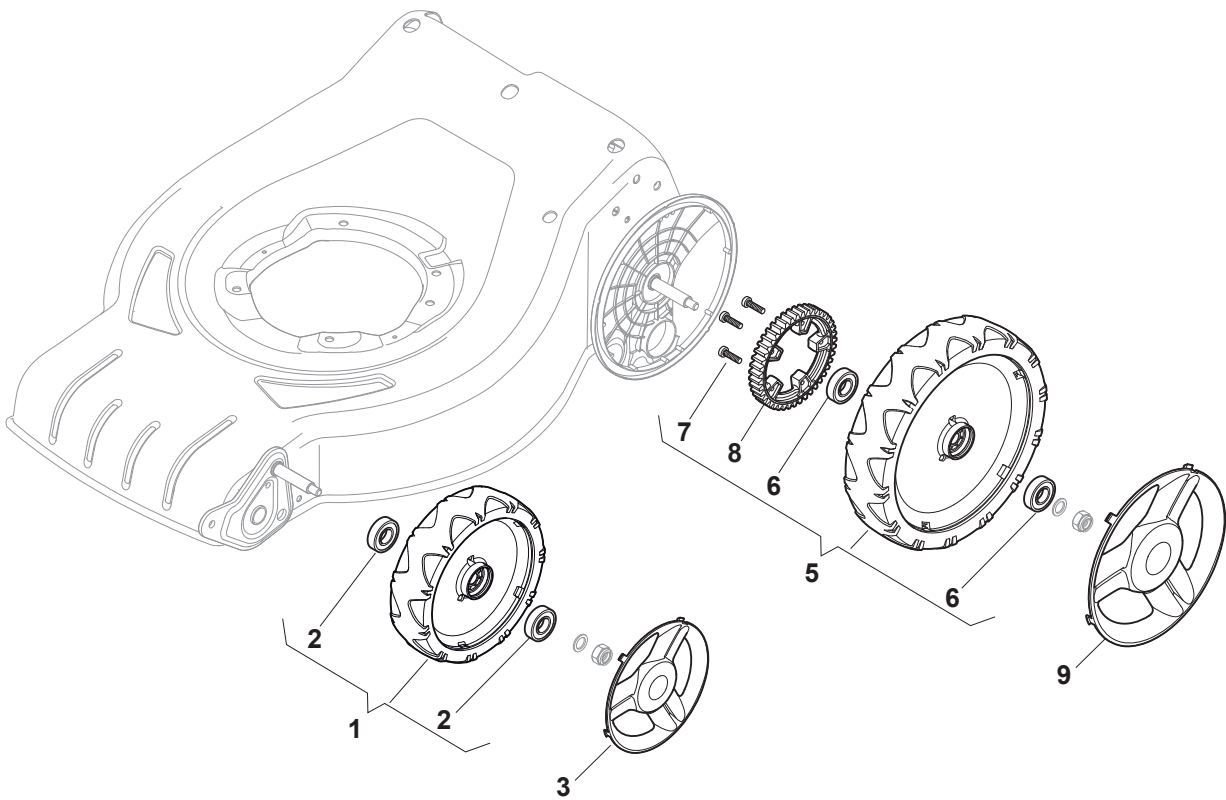


PM485TB

Petrol Lawn Mower Transmission

Issue 32 - 2017

Fig.	Q.ty	Part No	Description	Notes
1	4	112608600/0	Seeger	
2	1	122570120/1	Pinion Left	
3	1	122570110/1	Pinion Right	
4	2	322042066/0	Bushing	
5	2	112521371/0	Washer	
6	1	181003092/0	Gear Box	
7	1	122601909/0	Pulley	
8	1	112645705/0	Elastic Pin	
9	1	122033283/0	Adjustment Rod	
10	1	135063800/0	Trapezoidal Belt	
11	1	122041957/1	Bushing	
12	1	122450063/0	Spring	
13	1	322680009/0	Washer	
14	1	112154510/0	Nut	
15	1	122110230/0	Hub Cover	
16	2	122753000/0	Pin	

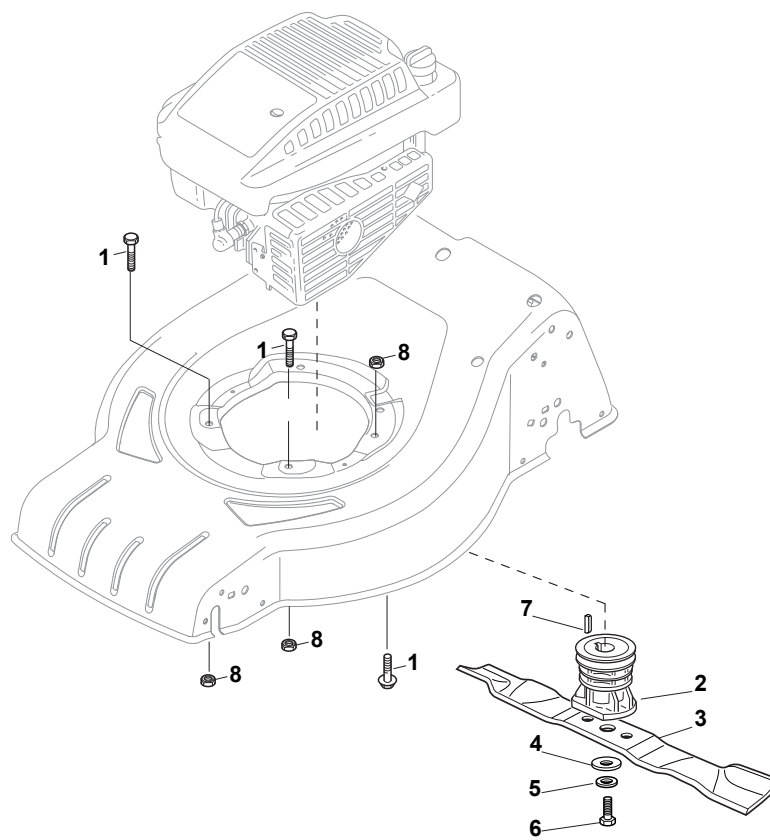


PM485TB

Petrol Lawn Mower **Wheels and Hub Caps**

Issue 32 - 2017

Fig.	Q.ty	Part No	Description	Notes
1	2	381007455/1	Wheel - Short Hub	
2	4	119216035/0	Bearing	
3	2	322110687/0	Hub Cap Grey	
5	2	381007467/1	Wheel	
6	4	119216035/0	Bearing	
7	6	112728706/0	Screw	
8	2	322120117/0	Wheels Crown Ø240	
9	2	322110689/0	Hub Cap Grey	

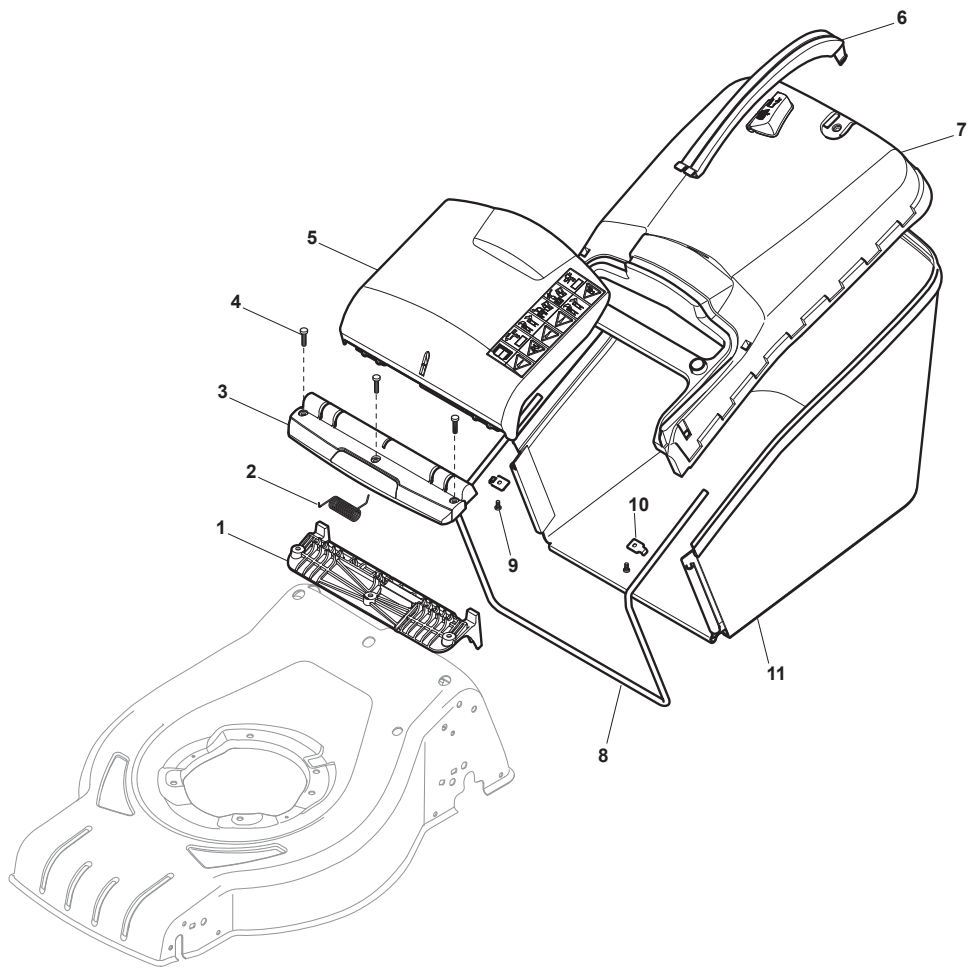


PM485TB

Petrol Lawn Mower Blade

Issue 32 - 2017

Fig.	Q.ty	Part No	Description	Notes
1	3	112735108/1	Screw	
2	1	122465607/3	Hub With Pulley, Crankshaft Ø 22.2	
3	1	181004460/0	Blade	
4	1	322680021/0	Washer	
5	1	112508125/0	Elastic Washer	
6	1	112735698/0	Screw	
7	1	112139100/0	Key	
8	3	112154210/0	Nut	



PM485TB

Petrol Lawn Mower Grass-Catcher

Issue 32 - 2017

Fig.	Q.ty	Part No	Description	Notes
1	1	322785331/0	Black Stone Guard Support	
2	1	122450464/0	Spring	
3	1	322109554/0	Stone Guard Supp. Cover Black	
3	1	322109555/0	Stone Guard Supp. Cover Grey	Customized for PM - Not managed as Spare
4	3	112728699/0	Screw	
5	1	322600216/1	Stone Guard, Grey	
5	1	322600213/1	Stone Guard, Grey	Customized for PM - Not managed as Spare
6	1	322393715/0	Handle, Grey	
6	1	322393728/0	Handle, Grey	Customized for PM - Not managed as Spare
7	1	381486029/0	Grass Upper Hybrid Grey with warm	
7	1	322486416/0	Grass Upper Hybrid Grey w/o warm	Customized for PM - Not managed as Spare
8	1	122608561/0	Grasscatcher Lower Stiffening Cruiser	
9	2	112728692/0	Screw	
10	2	322545159/0	Plate	
11	1	181002318/0	Box, Fabric	
11	1	181102323/0	Box, Fabric - with Logo	Customized for PM - Not managed as Spare