



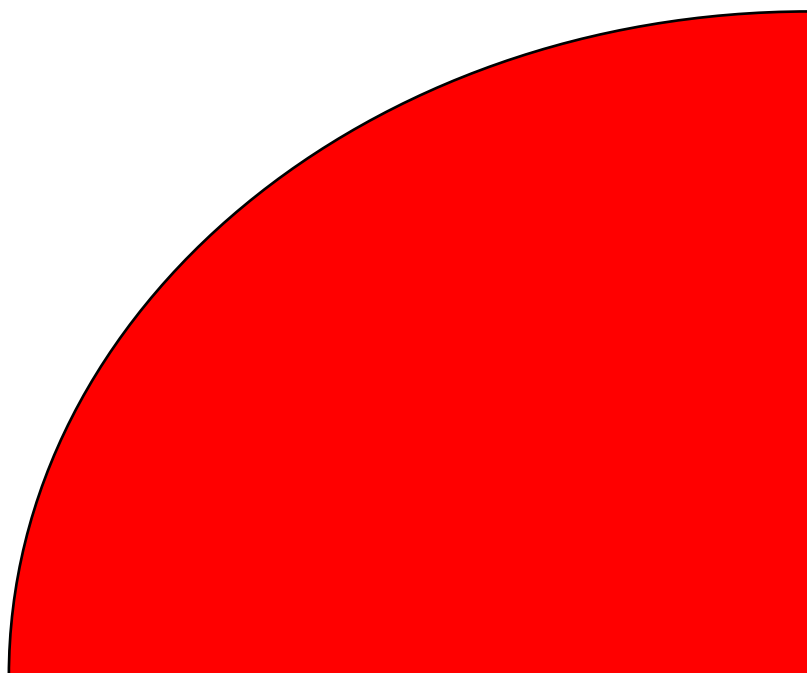
Bricomarché

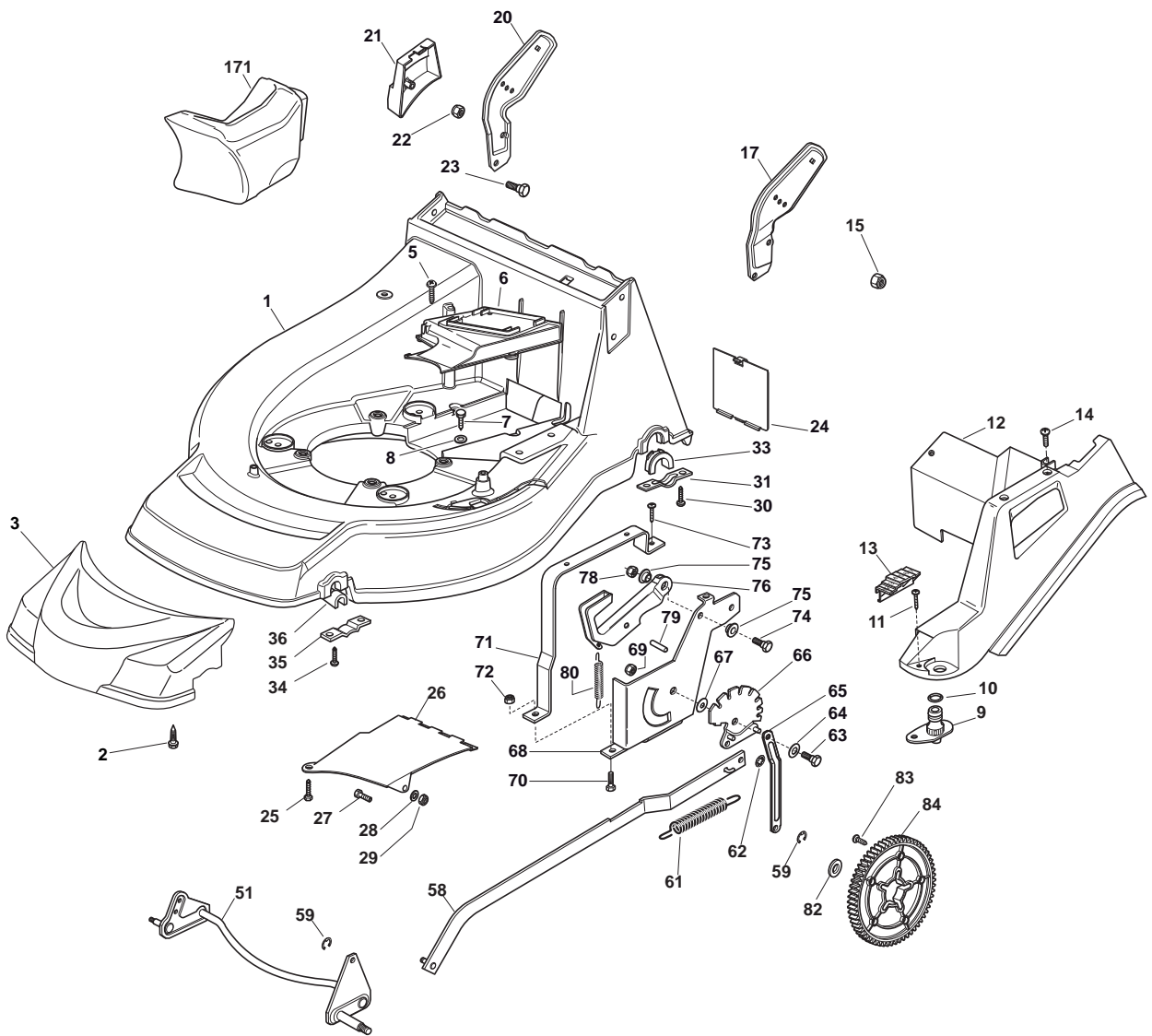
**Catalogue des pieces de rechange
Spare parts catalogue**

Modèle/Model:

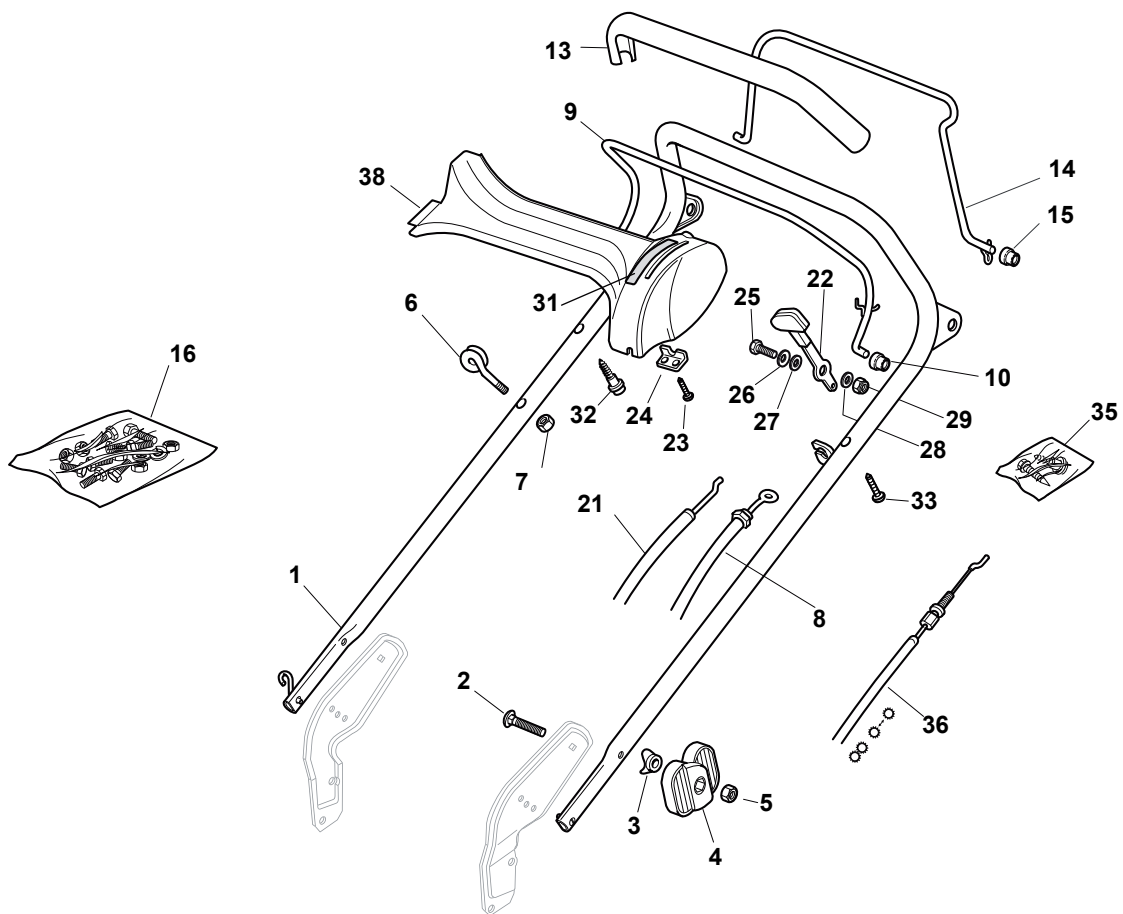
PRO SERIE 2 - Modèle Année 2013

PRO SERIE 2 - Model Year 2013

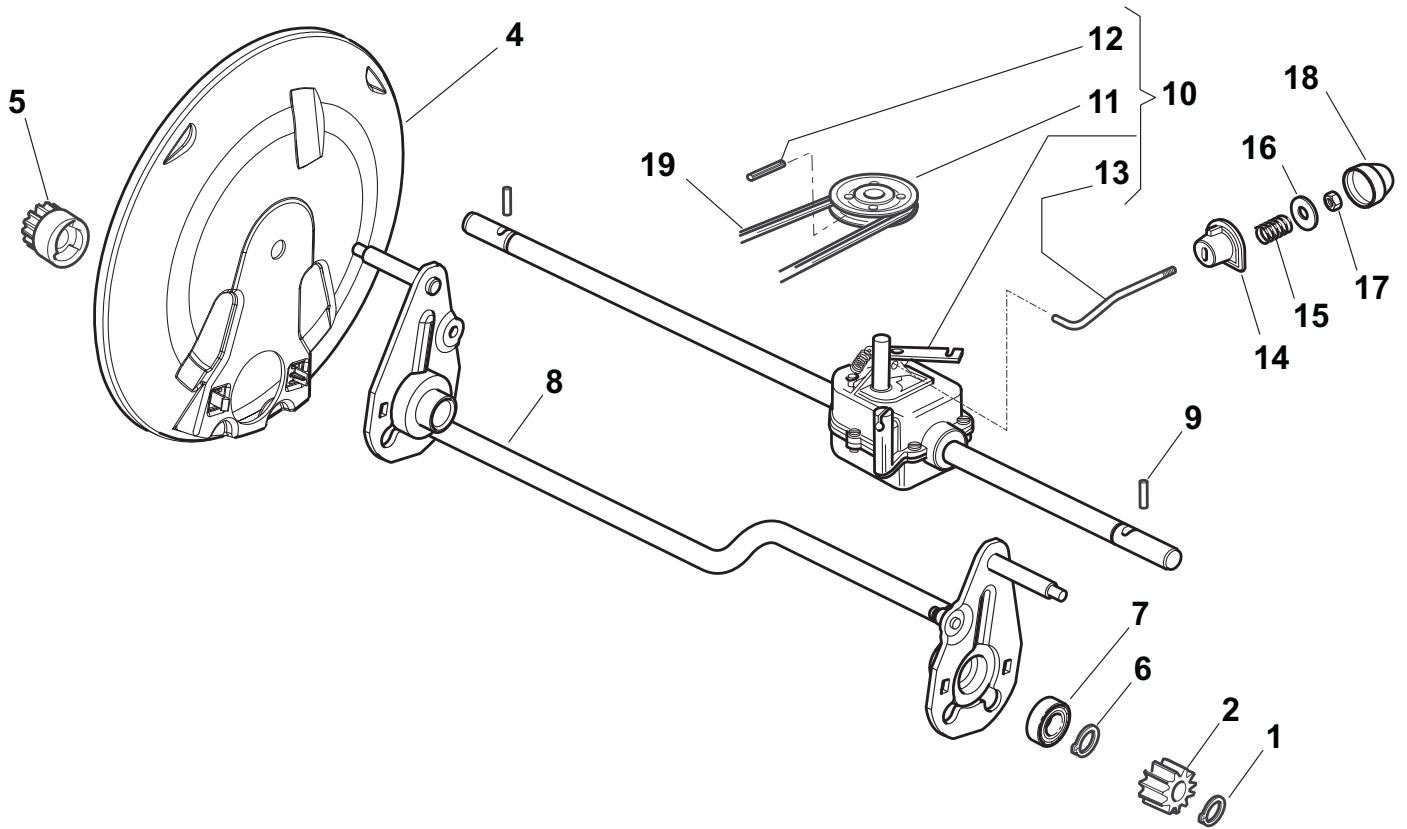




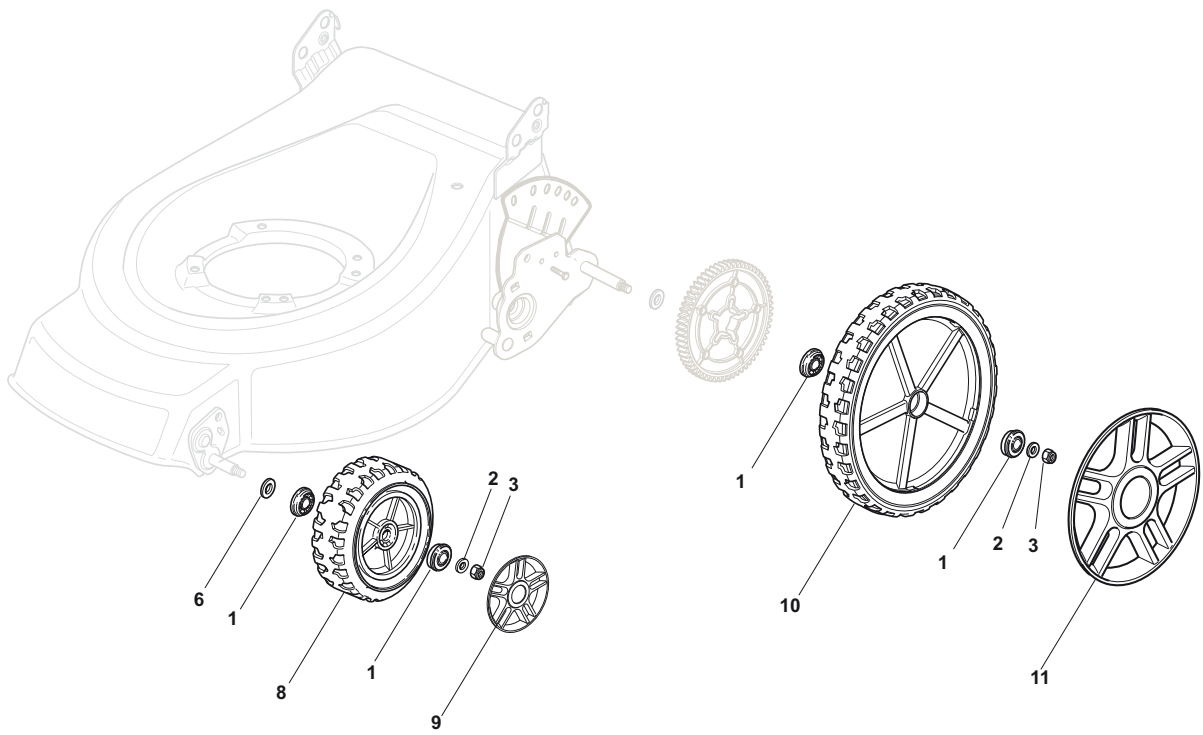
Position	Part No.	Q.Ty	Description	Description
1	381003543/1	1	Deck Red	Châssis Rouge
2	112735420/0	4	Screw	Vis
3	122226050/0	1	Mask, Black	Mesque, Noir
5	112728522/0	2	Screw	Vis
6	322060200/1	1	Protection, Belt	Protection Courroie
7	112731350/0	1	Screw	Vis
8	112523040/0	2	Washer	Rondelle
9	122034000/0	1	Washing Connection	Attaque Lavage
10	119035000/0	1	Or Ring	Bague Or
11	112728519/0	3	Screw	Vis
12	322060144/3	1	Deck, Adjustment	Châssis Reglage
13	122570200/0	1	Plate, Cutting Positions	Plaquette Reglage
14	112728520/0	1	Screw	Vis
15	112155000/0	2	Nut	Ecrou
17	322778397/1	1	Bracket, L	Etrier Gauche
20	322778396/1	1	Bracket, R	Etrier Droit
21	122601001/0	1	Protection	Capuchon
22	112155000/0	2	Nut	Ecrou
23	112793301/0	2	Screw	Vis
24	122595352/0	1	Inspection Door	Voyant De Visite
25	112731350/0	1	Screw	Vis
26	322108205/0	1	Conveyor	Convoyeur
27	112789000/0	1	Screw	Vis
28	112523020/0	1	Washer	Rondelle
29	112154330/0	1	Nut	Ecrou
30	112731350/0	4	Screw	Vis
31	322545177/0	2	Plate	Plaquette
33	322038407/0	2	Brass	Douille
34	112731350/0	4	Screw	Vis
35	322545156/0	2	Plate	Plaquette
36	122038400/1	2	Brass	Douille
51	381002865/1	1	Axle, Front Wheels	Axe Roues Avant
58	381002023/0	1	Rod, Height Adjustment	Tige Commande Reglage Hauteur
59	112000930/0	2	Snap Ring	Anneau Ressort
61	122446187/0	1	Spring	Ressort
62	112604899/0	2	Crown Fastener	Fixateur A Couronne
63	122529662/0	1	Fulcrum Pin	Pivot
64	322672151/0	1	Washer	Rondelle
65	322033299/0	1	Rod, Rear Wheels Axle	Tige, Axe Roue Arrieres
66	381000499/0	1	Sector, Height Adjustment	Secteur Reglage Hauteur
67	322672152/0	1	Washer	Rondelle
68	322785109/0	1	Support, Height Adjustment	Support Reglage
69	112155000/0	1	Nut	Ecrou
70	112793301/0	2	Screw	Vis
71	322785113/0	1	Support, Handle	Support Poignée
72	112293201/0	2	Nut	Ecrou
73	112729600/0	1	Screw	Vis
74	112793301/0	1	Screw	Vis
75	125038002/1	2	Bush	Douille
76	322393611/2	1	Handle	Poignée
78	112293201/0	1	Nut	Ecrou
79	112622640/0	1	Pin	Pivot
80	122446175/0	1	Spring	Ressort
82	122675100/0	2	Washer	Rondelle
83	112728691/0	6	Screw	Vis
84	322120110/0	2	Sprocket	Couronne
171	322140224/0	1	Cap	Bouchon



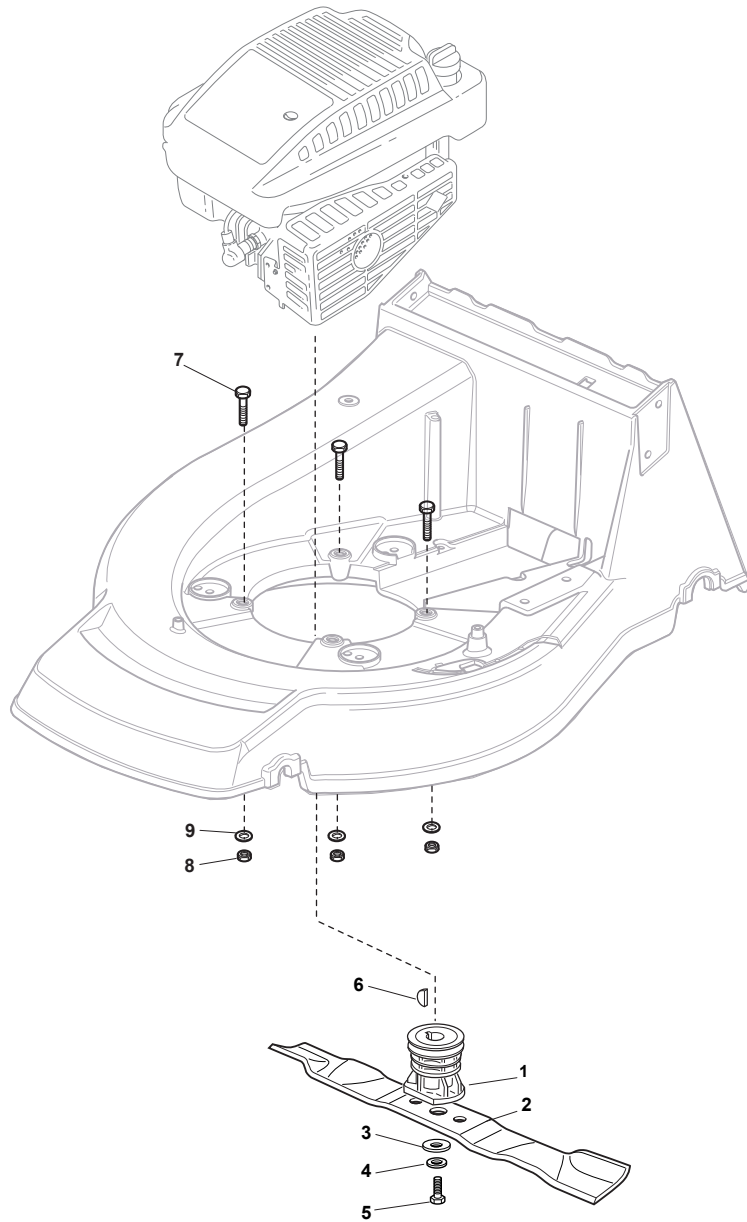
Position	Part No.	Q.Ty	Description	Description
1	381006861/0	1	Handle, Upper Part	Mancheron, Partie Superieure
2	112819120/0	2	Screw	Vis
3	122671651/0	2	Washer	Rondelle
4	322399804/1	2	Knob	Poignée
5	112293200/0	2	Nut	Ecrou
6	122430309/0	1	Spring	Ressort
7	112154330/0	1	Nut	Ecrou
8	181000616/1	1	Cable, Thread Engine Brake	Cable Frein Moteur
9	181003291/3	1	Lever, Engine Brake	Levier Frein Moteur
10	122041966/0	2	Bush	Douille
13	122291050/0	1	Handgrip Black	Poignée Noir
14	181003288/1	1	Lever, Driving	Levier Traction
15	322041965/1	2	Bush	Douille
16	381008610/1	1	Outfit, Screws	Dotation Visserie
21	481007160/0	1	Throttle Cable	Cable, Accelérateur
22	381007280/2	1	Lever, Throttle	Levier, Accelérateur
23	112735105/0	2	Screw	Vis
24	322981467/0	1	Plate	Plaquette
25	112791500/0	1	Screw	Vis
26	112530060/0	1	Elastic Washer	Disque Elastique
27	112523040/0	1	Washer	Rondelle
28	112523040/0	1	Washer	Rondelle
29	112154510/0	1	Nut	Ecrou
31	114357646/1	1	Label	Etiquette
32	122943006/0	1	Screw	Vis
33	112728460/0	1	Screw	Vis
35	381008609/0	1	Outfit, Screws	Dotation Visserie
36	381000669/0	1	Cable, Thread Engine Brake	Cable Frein Moteur
38	422120172/0	1	Dash Board Black	Console Noire



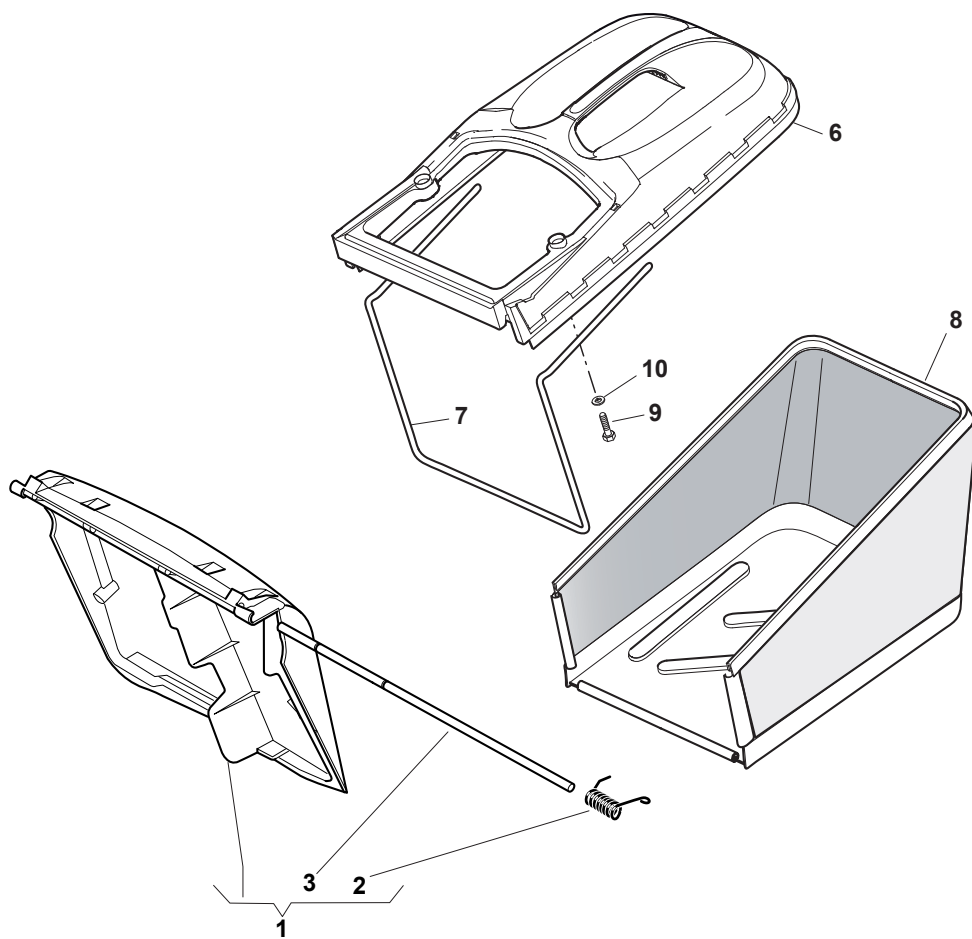
Position	Part No.	Q.Ty	Description	Description
1	112608600/0	2	Seeger	Seeger
2	122570120/1	1	Pinion L	Pignon G
4	322600160/0	2	Protection, Wheel	Protection Roue
5	122570110/1	1	Pinion R	Pignon D
6	112608600/0	2	Seeger	Seeger
7	119216035/0	2	Bearing	Coussinet
8	381002863/0	1	Axle, Rear Wheels	Axe Roues Arriere
9	122753000/0	2	Pin	Pivot
10	181003079/1	1	Gear Box	Groupe Traction
11	122601909/0	1	Pulley	Poulie
12	112645705/0	1	Pin	Pivot
13	122033281/0	1	Adjustment Rod	Tige Reglage
14	122041957/1	1	Bush	Douille
15	122450063/0	1	Spring	Ressort
16	322680009/0	1	Washer	Rondelle
17	112154510/0	1	Nut	Ecrou
18	122110230/0	1	Cap	Bouchon
19	135064195/0	1	Belt	Courroire



Position	Part No.	Q.Ty	Description	Description
1	122122200/0	8	Bearing	Coussinet
2	112521350/0	4	Washer	Rondelle
3	112155000/0	2	Nut	Ecrou
6	112530150/0	2	Elastic Washer	Disque Elastique
8	381007390/1	2	Wheel Ø 210	Roue Ø 210
9	322110492/0	2	Hub Cap Grey	Couvre-Moyeu Gris
10	381007391/1	2	Wheel Ø 300	Roue Ø 300
11	322110560/0	2	Hub Cap Grey	Couvre-Moyeu Gris



Position	Part No.	Q.Ty	Description	Description
1	122465608/2	1	Hub With Pulley, Crankshaft Ø 25	Moyeu Avec Poulie, Arbre Moteur Ø 25
2	181004381/1	1	Blade Standard	Lame Standard
3	122160400/0	1	Elastic Washer	Disque Elastique
4	112523080/0	1	Washer	Rondelle
5	112735698/0	1	Screw	Vis
6	112139150/0	1	Feather, Crankshaft Ø 25	Clavette, Arbre Moteur Ø 25
7	112155000/0	3	Nut	Ecrou
8	112521350/0	3	Screw	Vis
9	112691900/0	3	Screw	Vis



Position	Part No.	Q.Ty	Description	Description
1	381008050/0	1	Stone-Guard Black	Pare-Pierres, Noir
1	381008108/0	1	Stone-Guard White	Pare-Pierres, Blanc
2	122451000/0	1	Spring	Ressort
3	122517856/1	1	Pin	Pivot
6	322486102/0	1	Grass-Box, Upper	Sac, Partie Superieure
7	122608526/0	1	Stiffening Lower	Réinforcement Inf
8	181002212/0	1	Box, Fabric	Sac, Toile
9	112728680/0	2	Screw	Vis
10	112523050/0	2	Washer	Rondelle