



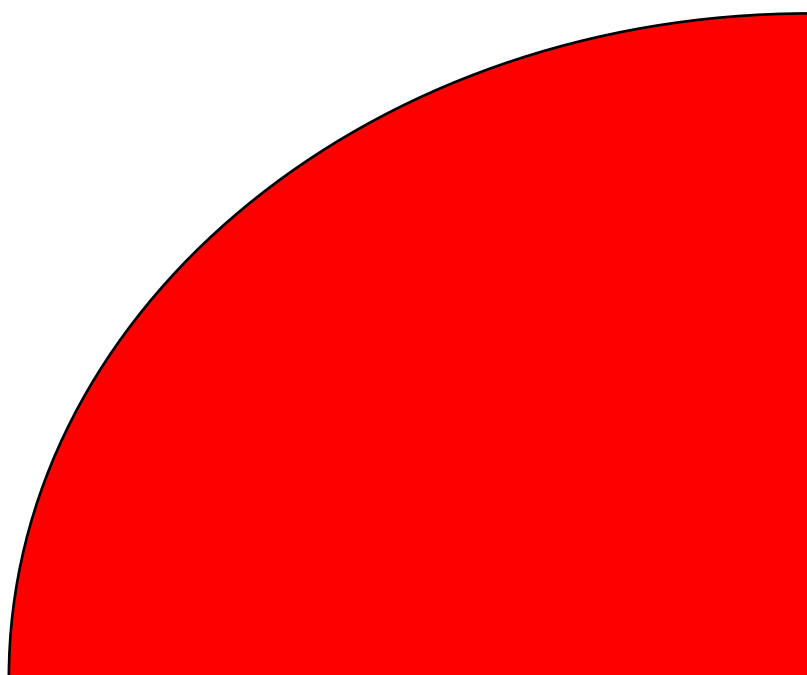
Bricomarché

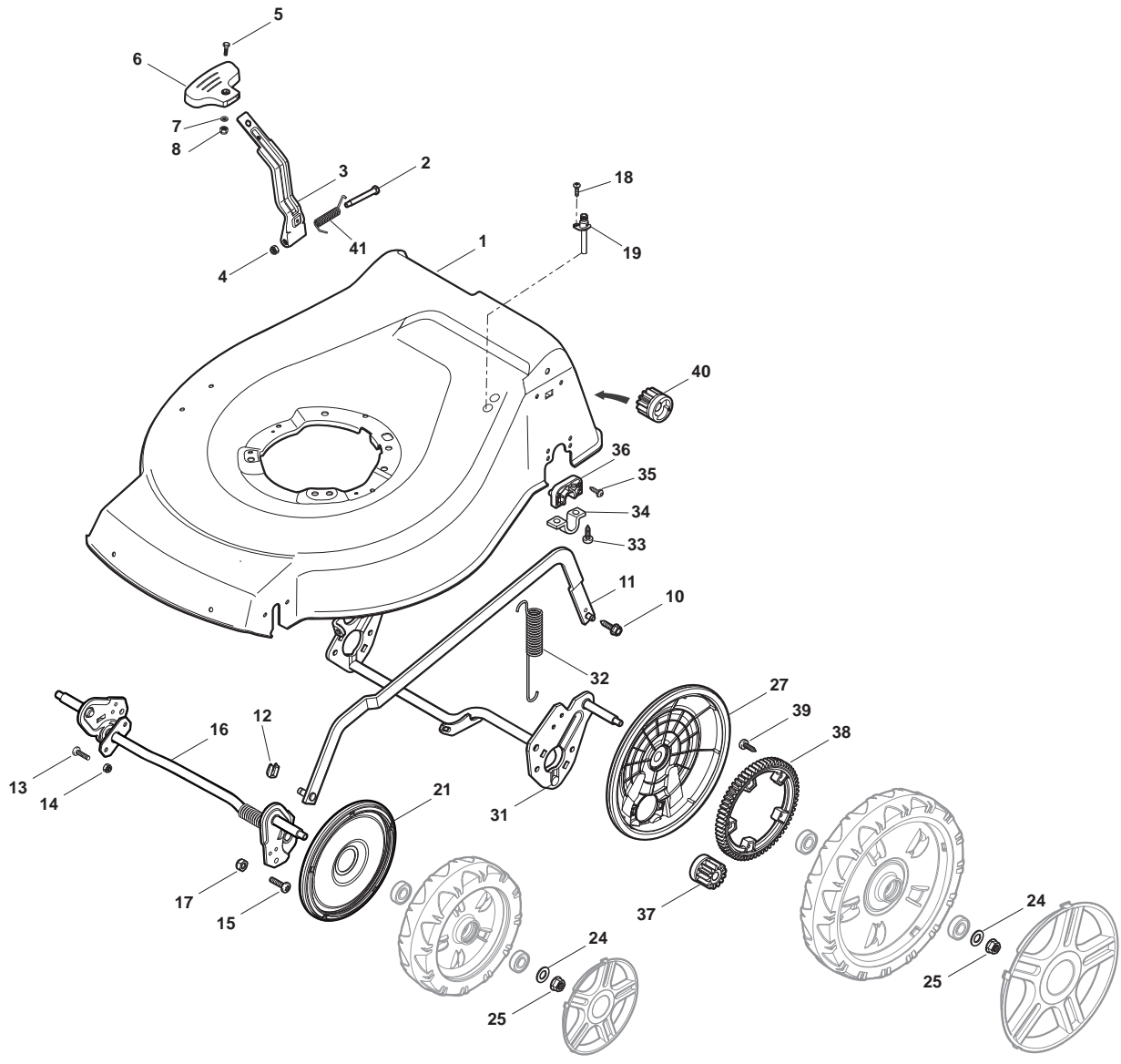
**Catalogue des pieces de rechange
Spare parts catalogue**

Modèle/Model:

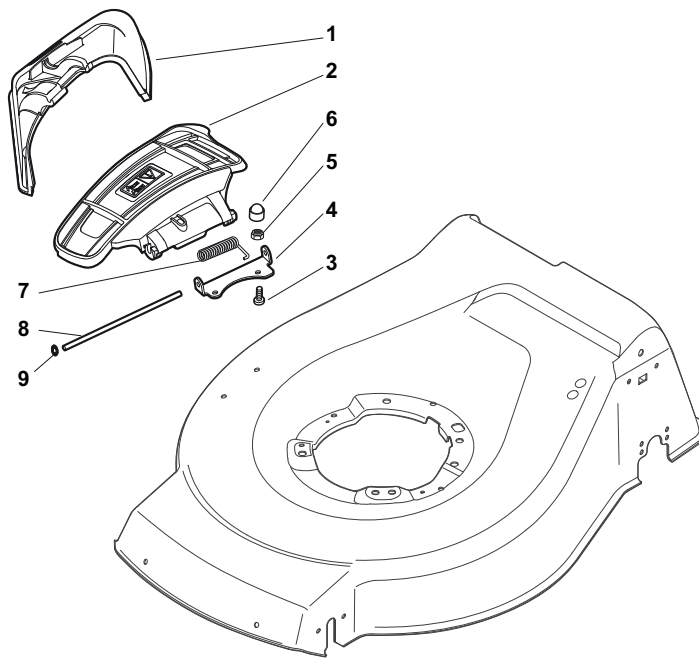
PRO SERIE 3 - Modèle Année 2013

PRO SERIE 3 - Model Year 2013

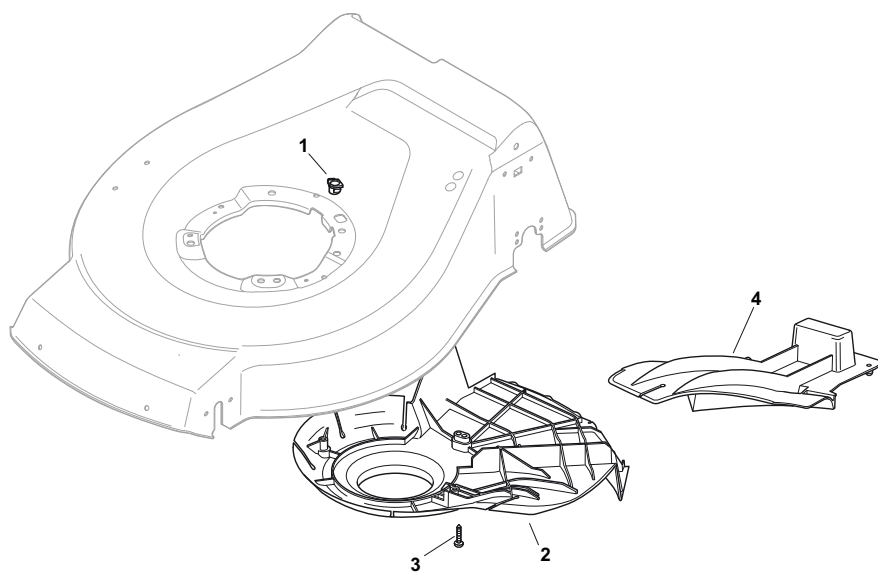




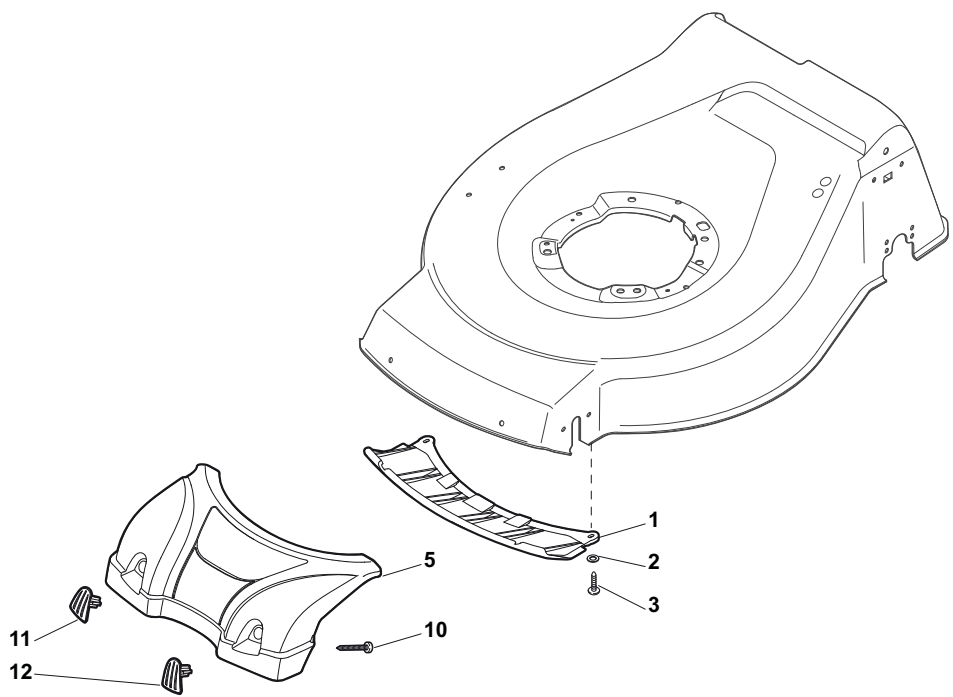
Position	Part No.	Q.Ty	Description	Description
1	381004542/0	1	Deck Red	Châssis Rouge
2	122534131/0	1	Pin	Pivot
3	381003398/0	1	Lever, Height Adjustment	Levier Reglage Hauteur
4	112154510/0	1	Nut	Ecrou
5	112788512/0	1	Screw	Vis
6	322394503/0	1	Knob	Poignée
7	112521310/0	1	Washer	Rondelle
8	112150000/0	1	Nut	Ecrou
10	122943013/0	1	Screw	Vis
11	381002032/0	1	Rod, Height Adjustment	Tige Commande Reglage Hauteur
12	112436051/0	1	Plate	Plaquette
13	112727803/0	3	Screw	Vis
14	112154510/0	3	Nut	Ecrou
15	112727801/0	1	Screw	Vis
16	381002887/1	1	Axle, Front Wheels	Axe Roues Avant
17	112154510/0	1	Nut	Ecrou
18	112728450/0	1	Screw	Vis
19	322034002/0	1	Washing Connection	Attaque Lavage
21	322600145/0	2	Protection, Wheel	Protection Roue
24	112521350/0	4	Washer	Rondelle
25	112155000/0	4	Nut	Ecrou
27	322600208/0	2	Protection, Wheel	Protection Roue
31	381302835/1	1	Axle, Rear Wheels	Axe Roues Arriere
32	122450460/0	1	Spring	Ressort
33	112728697/0	4	Screw	Vis
34	322545152/0	2	Plate	Plaquette
35	112728697/0	4	Screw	Vis
36	322785304/1	2	Support	Support
37	122570134/0	1	Pinion L	Pignon G
38	322120115/0	2	Ring Gear	Couronne
39	112728706/0	6	Screw	Vis
40	122570133/0	1	Pinion R	Pignon D
41	122446192/0	1	Spring	Ressort



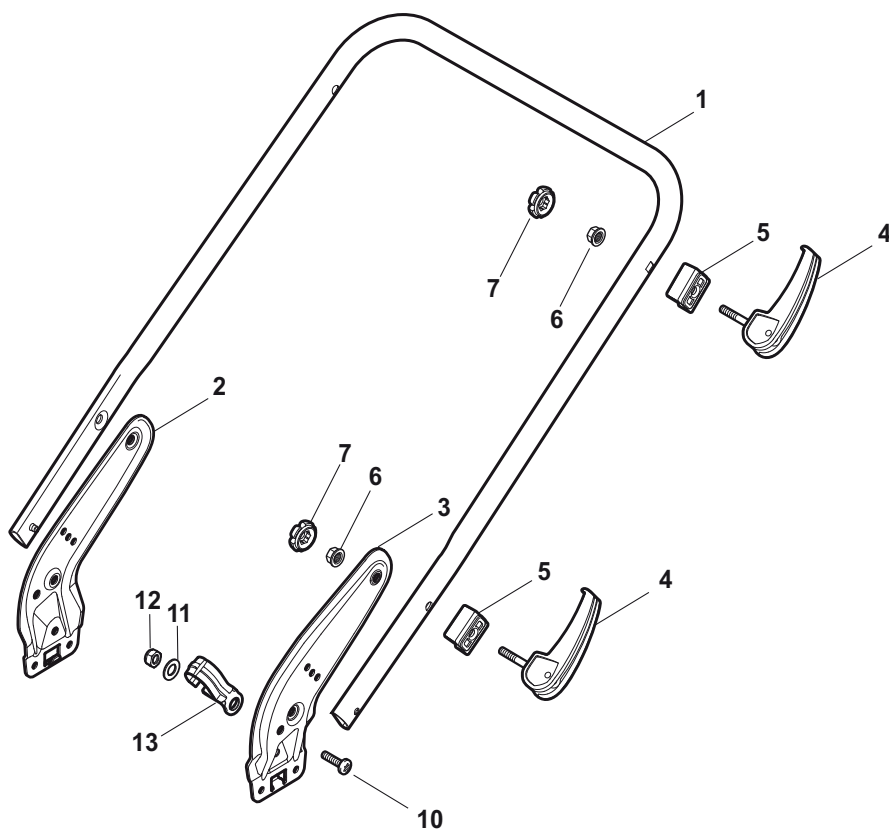
Position	Part No.	Q.Ty	Description	Description
1	322108295/0	1	Stone-Guard	Pare-Pierres
2	322600195/0	1	Ejection Guard	Protection Sortie
3	112727803/0	2	Screw	Vis
4	322806639/0	1	Fulcrum Pin	Pivot
5	112154510/0	2	Nut	Ecrou
6	118203853/0	2	Protection	Capuchon
7	122450456/0	1	Spring	Ressort
8	122517869/0	1	Pin	Pivot
9	112604896/0	2	Crown Fastener	Fixateur A Couronne



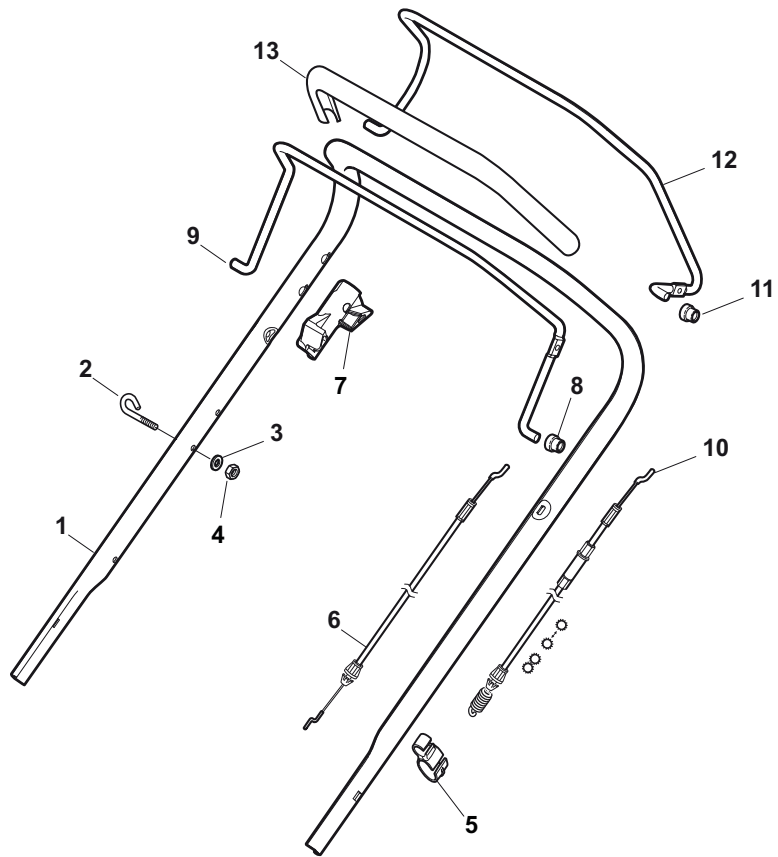
Position	Part No.	Q.Ty	Description	Description
1	322291150/0	1	Rubber Insert	Insert De
2	322060197/3	1	Protection, Belt	Protection Courroie
3	112728530/0	3	Screw	Vis



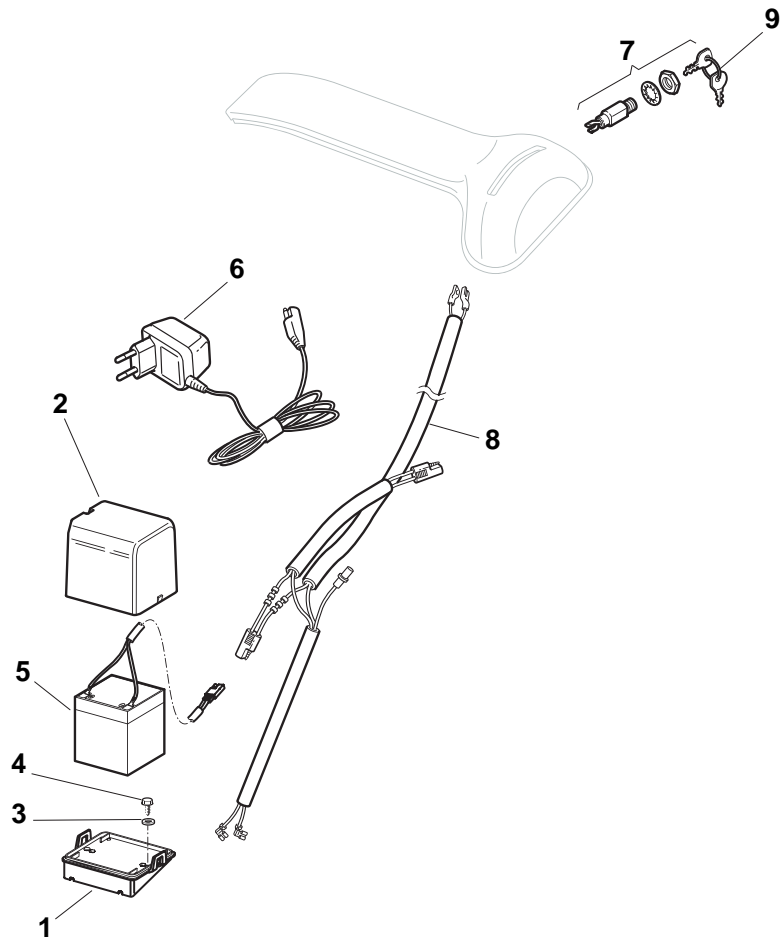
Position	Part No.	Q.Ty	Description	Description
1	322500103/0	1	Front Combi	Vorne Comb
2	112523000/1	2	Washer	Rondelle
3	112728124/0	2	Screw	Vis
5	322226145/0	1	Mask, Red	Mesque, Rouge
5	322226146/0	1	Mask, Yellow	Mesque, Jaune
5	322226152/0	1	Mask, Black	Mesque, Noir
10	112728697/0	2	Screw	Vis
11	322820082/0	1	Cap	Bouchon
12	322820083/0	1	Cap	Bouchon



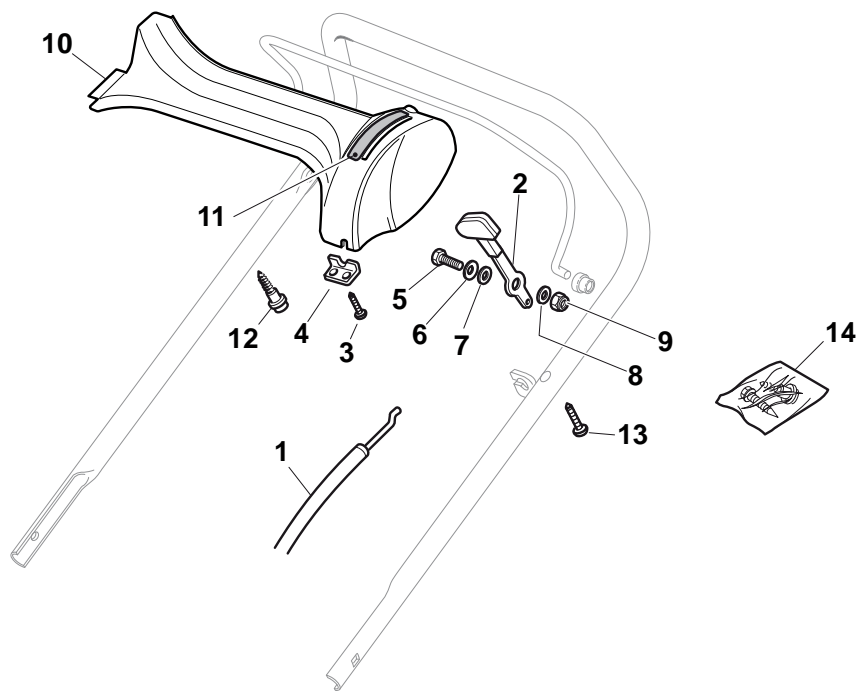
Position	Part No.	Q.Ty	Description	Description
1	381006719/0	1	Handle, Lower Part	Poignée, Partie Inferieure
2	381005149/0	1	Bracket, R	Etrier Droit
3	381005151/0	1	Bracket, L	Etrier Gauche
4	381003253/0	4	Handle	Poignée
5	322680016/0	4	Support	Support
6	122131750/0	4	Nut	Ecrou
7	322399835/0	4	Knob	Poignée
10	112760605/0	2	Screw	Vis
11	125038002/1	2	Bush	Douille
12	112155000/0	2	Nut	Ecrou
13	322192156/0	1	Fair Led	Collier



Position	Part No.	Q.Ty	Description	Description
1	381007522/0	1	Handle, Upper Part	Mancheron, Partie Superieure
2	122430313/0	1	Guide Spring	Ressort De Guide
3	112521330/0	1	Washer	Rondelle
4	112154510/0	1	Nut	Ecrou
5	118390020/0	1	Fairlead	Fixation Cable
6	181030053/0	1	Cable, Thread Engine Brake	Cable Frein Moteur
7	322545204/0	1	Fulcrum Pin	Pivot
8	122041966/0	1	Bush	Douille
9	181003300/1	1	Lever, Engine Brake	Levier Frein Moteur
10	381030092/0	1	Cable, Rear Drive	Câble, Comm. Traction
11	122041966/0	1	Bush	Douille
12	181003301/0	1	Lever, Driving	Levier Traction
13	122291050/0	1	Handgrip Black	Poignée Noir

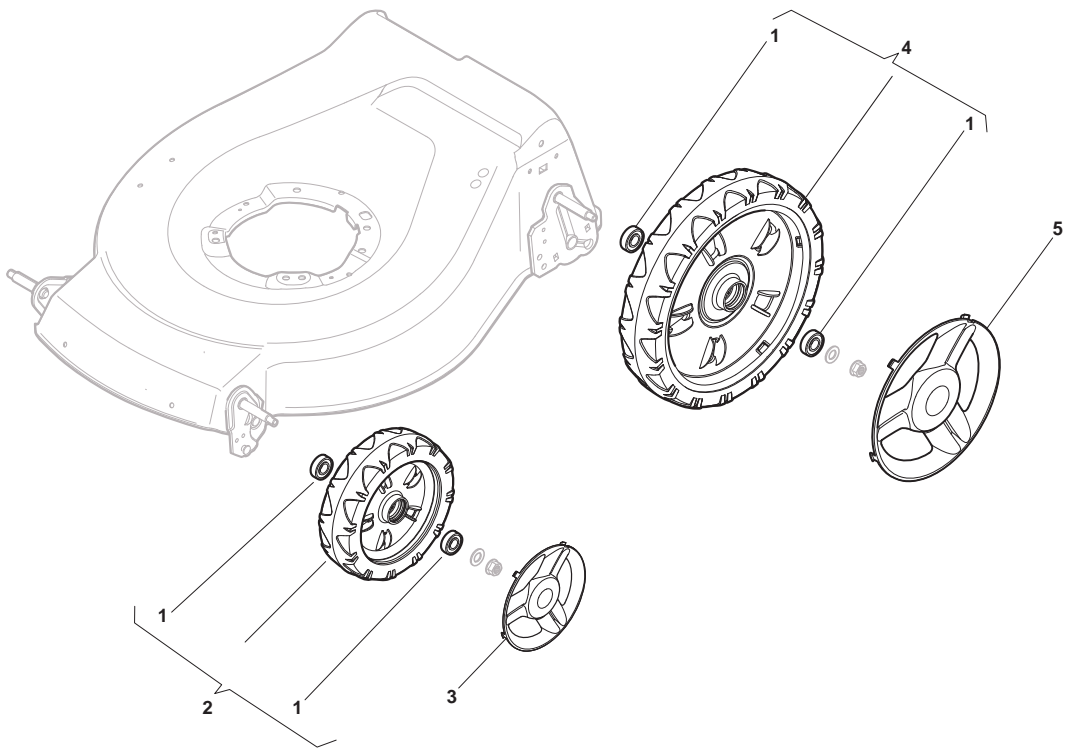


Position	Part No.	Q.Ty	Description	Description
1	322785123/0	1	Support, Battery	Support Batterie
2	322109530/0	1	Cover	Capot
3	112521310/0	2	Washer	Rondelle
4	112731590/0	2	Screw	Vis
5	118120052/0	1	Battery	Batterie
6	118204120/0	1	Battery Charger	Chargeur De Batterie
6	118204121/0	1	Battery Charger	Chargeur De Batterie
7	118450050/0	1	Switch	Interrupteur
8	118204192/3	1	Cable, Start	Cable Démarrage
9	118210016/1	1	Starting Key	Clef A Demarrage

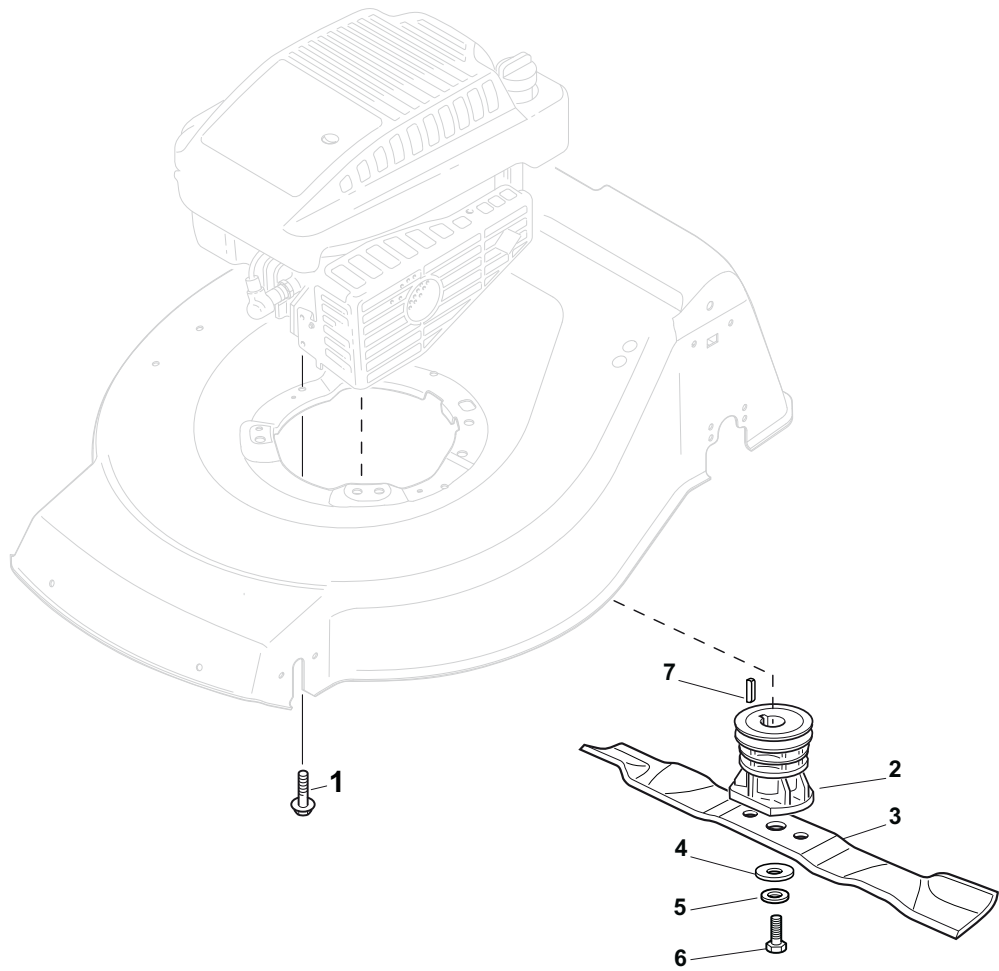


Position	Part No.	Q.Ty	Description	Description
1	481007160/0	1	Throttle Cable	Cable, Accelérateur
2	381007280/2	1	Lever, Throttle	Levier, Accelérateur
3	112735105/0	2	Screw	Vis
4	322981467/0	1	Plate	Plaquette
5	112791500/0	1	Screw	Vis
6	112530060/0	1	Elastic Washer	Disque Elastique
7	112523040/0	1	Washer	Rondelle
8	112523040/0	1	Washer	Rondelle
9	112154510/0	1	Nut	Ecrou
10	322120189/0	1	Dash Board Red	Console Rouge
11	114356744/1	1	Label	Etiquette
12	122943006/0	1	Screw	Vis
13	112728460/0	1	Screw	Vis
14	381008609/0	1	Outfit, Screws	Dotation Visserie

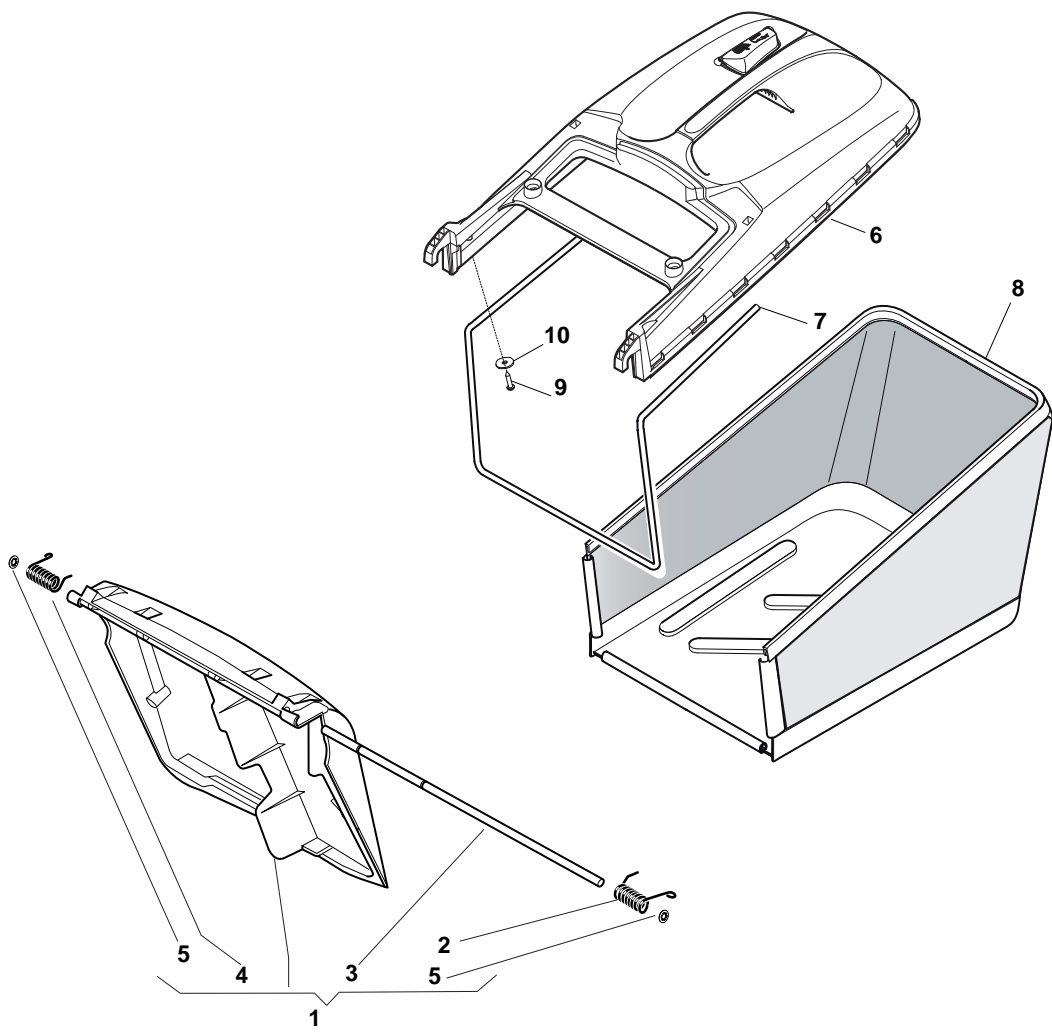
Position	Part No.	Q.Ty	Description	Description
1	112608600/0	2	Seeger	Seeger
2	119216035/0	2	Bearing	Coussinet
3	122753000/0	2	Pin	Pivot
5	181003076/1	1	Gear Box	Groupe Traction
6	122601904/0	1	Pulley	Poulie
7	112645700/0	1	Pin	Pivot
8	122033283/0	1	Adjustment Rod	Tige Reglage
9	135063902/0	1	Belt	Courroie
11	122041957/1	1	Bush	Douille
12	122450063/0	1	Spring	Ressort
13	322680009/0	1	Washer	Rondelle
14	112154510/0	1	Nut	Ecrou
15	122110230/0	1	Cap	Bouchon



Position	Part No.	Q.Ty	Description	Description
1	119216035/0	8	Bearing	Coussinet
2	381007435/1	4	Wheel Ø 200	Roue Ø 200
3	322110687/0	2	Hub Cap Grey	Couvre-Moyeu Gris
4	381007436/1	2	Wheel Ø 280	Roue Ø 280
5	322110641/0	2	Hub Cap Grey	Couvre-Moyeu Gris



Position	Part No.	Q.Ty	Description	Description
1	112735108/1	3	Screw	Vis
2	122465607/3	1	Hub With Pulley, Crankshaft Ø 22.2	Moyeu Avec Poulie, Arbre Moteur Ø 22.2
3	181004381/1	1	Blade	Lame
4	122160400/0	1	Elastic Washer	Disque Elastique
5	112523080/0	1	Washer	Rondelle
6	112735698/0	1	Screw	Vis
7	112139100/0	1	Feather, Crankshaft Ø 22.2	Clavette, Arbre Moteur Ø 22.2



Position	Part No.	Q.Ty	Description	Description
1	381008081/2	1	Stone-Guard Black	Pare-Pierres
2	122450466/0	1	L Spring	Ressort G
3	122517882/0	1	Pin	Pivot
4	122450465/0	1	R Spring	Ressort D
5	112604899/0	2	Crown Fastener	Fixateur A Couronne
6	381486008/0	6	Grass-Box, Upper Part	Sac, Partie Superieure
7	122608525/0	1	Stiffening Lower	Réforcement Inf
8	181002211/0	1	Box, Fabric	Sac, Toile
9	112728680/0	2	Screw	Vis
10	112523050/0	2	Washer	Rondelle