

Genuine Spare Parts

www.stiga.com

PARK COMPACT 2WD Model Year 2011/12

includes:

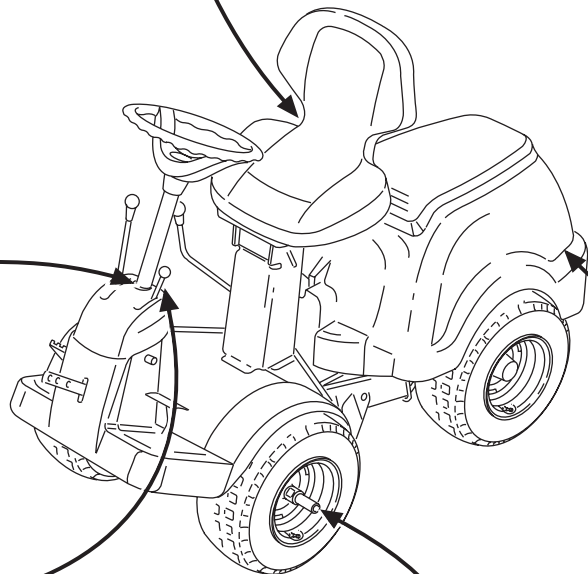
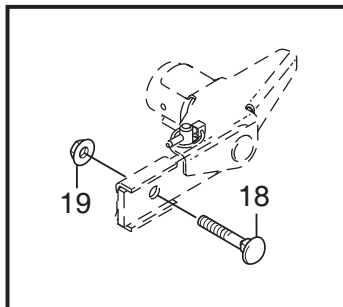
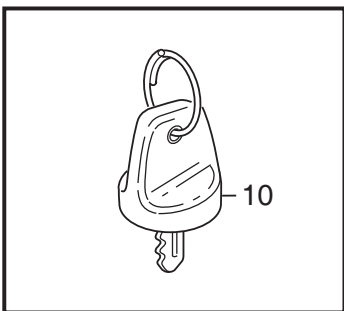
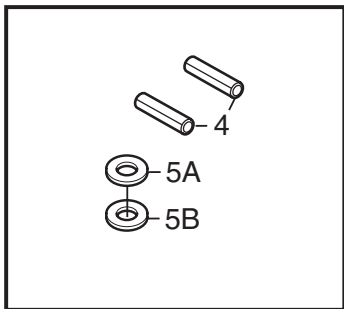
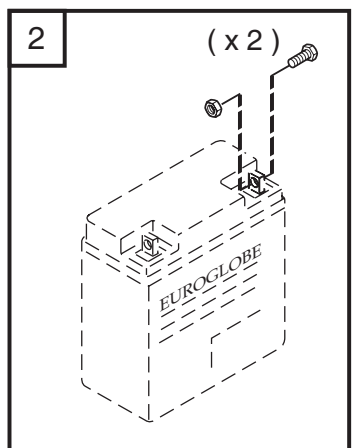
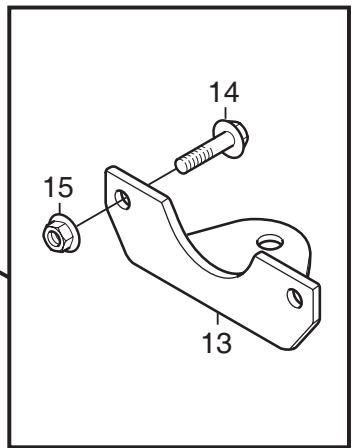
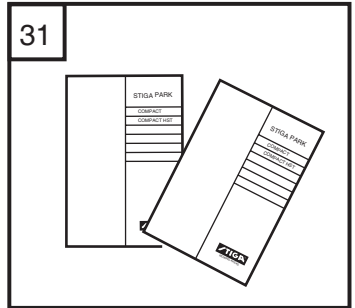
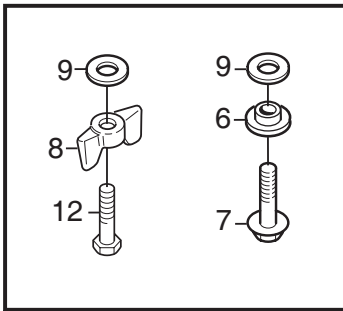
- 13-6102-21 Park Compact 14
- 13-6102-31 Park Compact 14 (FR)
- 13-6103-21 Park Compact 16
- 13-6103-31 Park Compact 16 (FR)

- Use GLOBAL GARDEN PRODUCT Genuine Spare Parts specified in the parts list for repair and/or replacement.
- The contents described in the parts list may change due to improvement.
- The drawings of the spare parts are only indicative and might not represent the part in question exactly.
- The indications "right" - "left" - "front" - "rear" refer to the position of the operator when using the machine.
- When placing orders of parts for repair and/or replacement, make sure that the illustrated parts list is the one applying to the machine's year of manufacture, as shown on the identification plate attached to the machine.

COPYRIGHT by GLOBAL GARDEN PRODUCTS

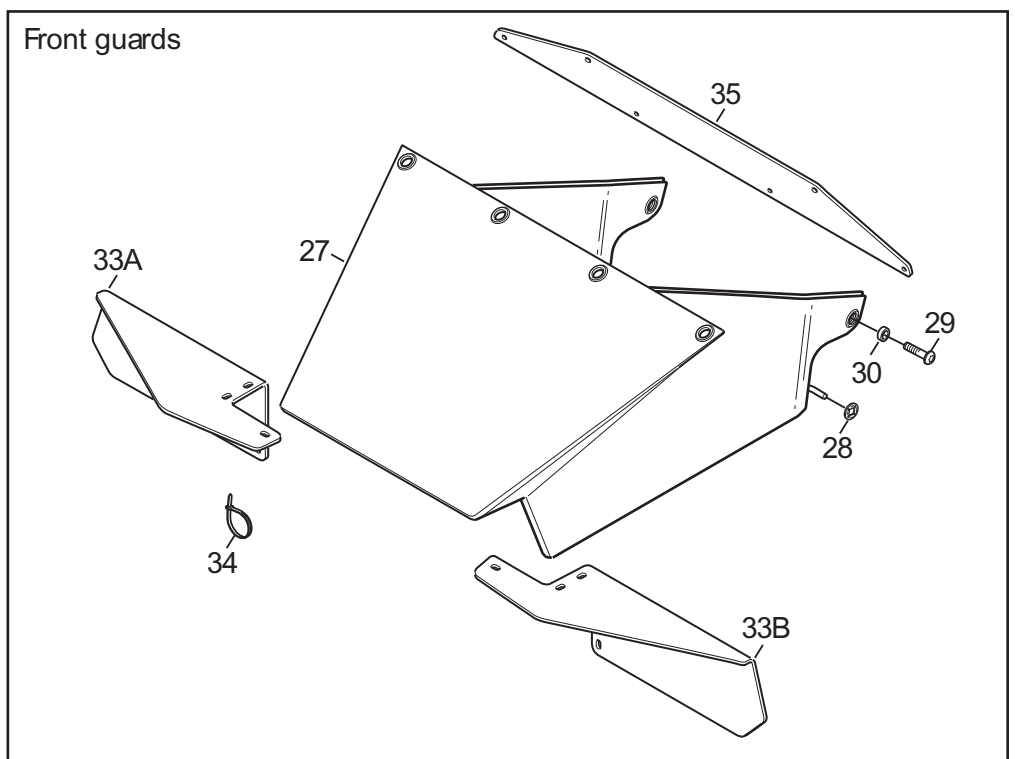
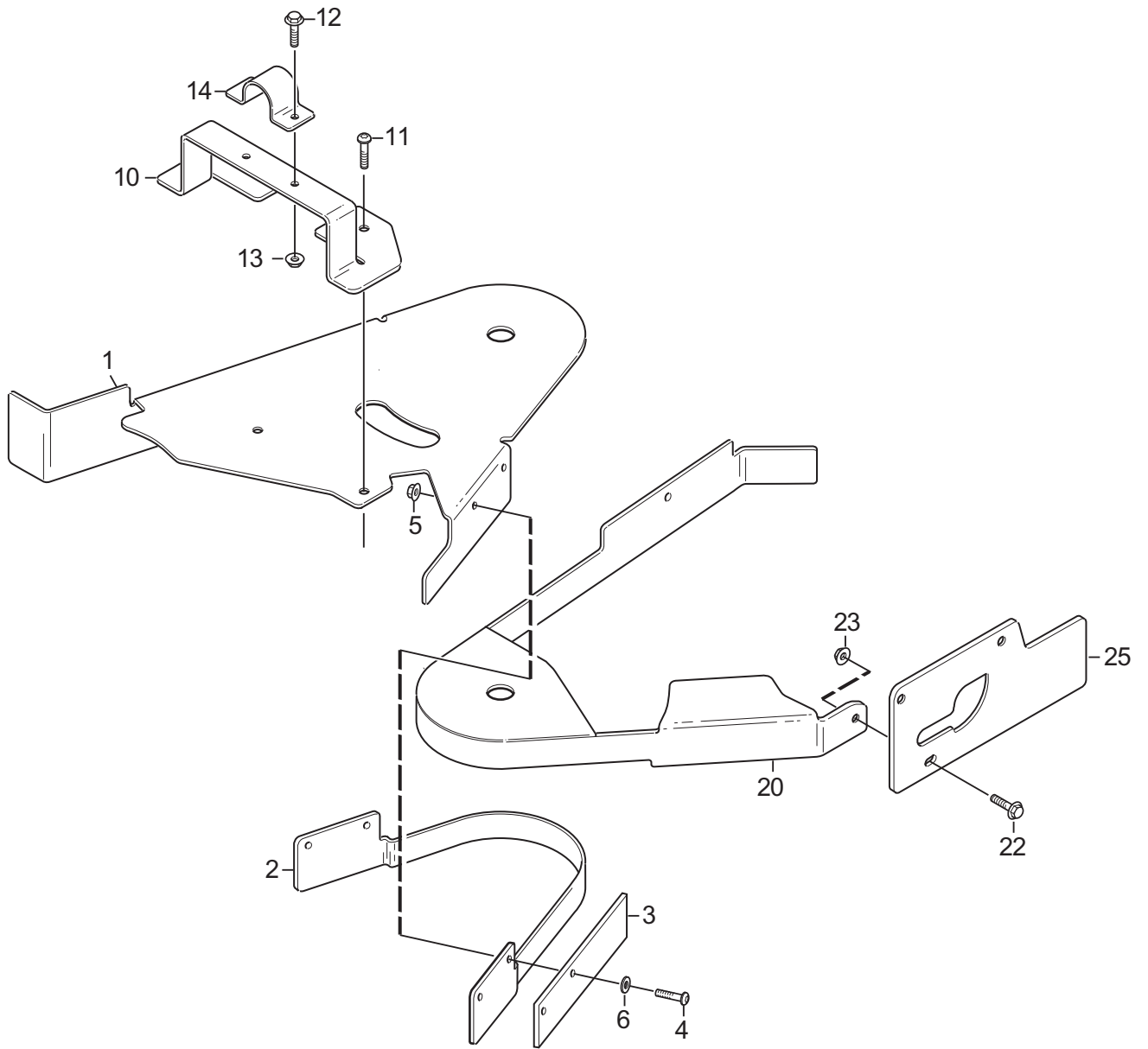
All rights reserved. No part of this material may be reproduced or transmitted, in any form or by any means, electronic or mechanical, including photocopying, recording or by any information storage and retrieval system, without permission in writing from GLOBAL GARDEN PRODUCTS.



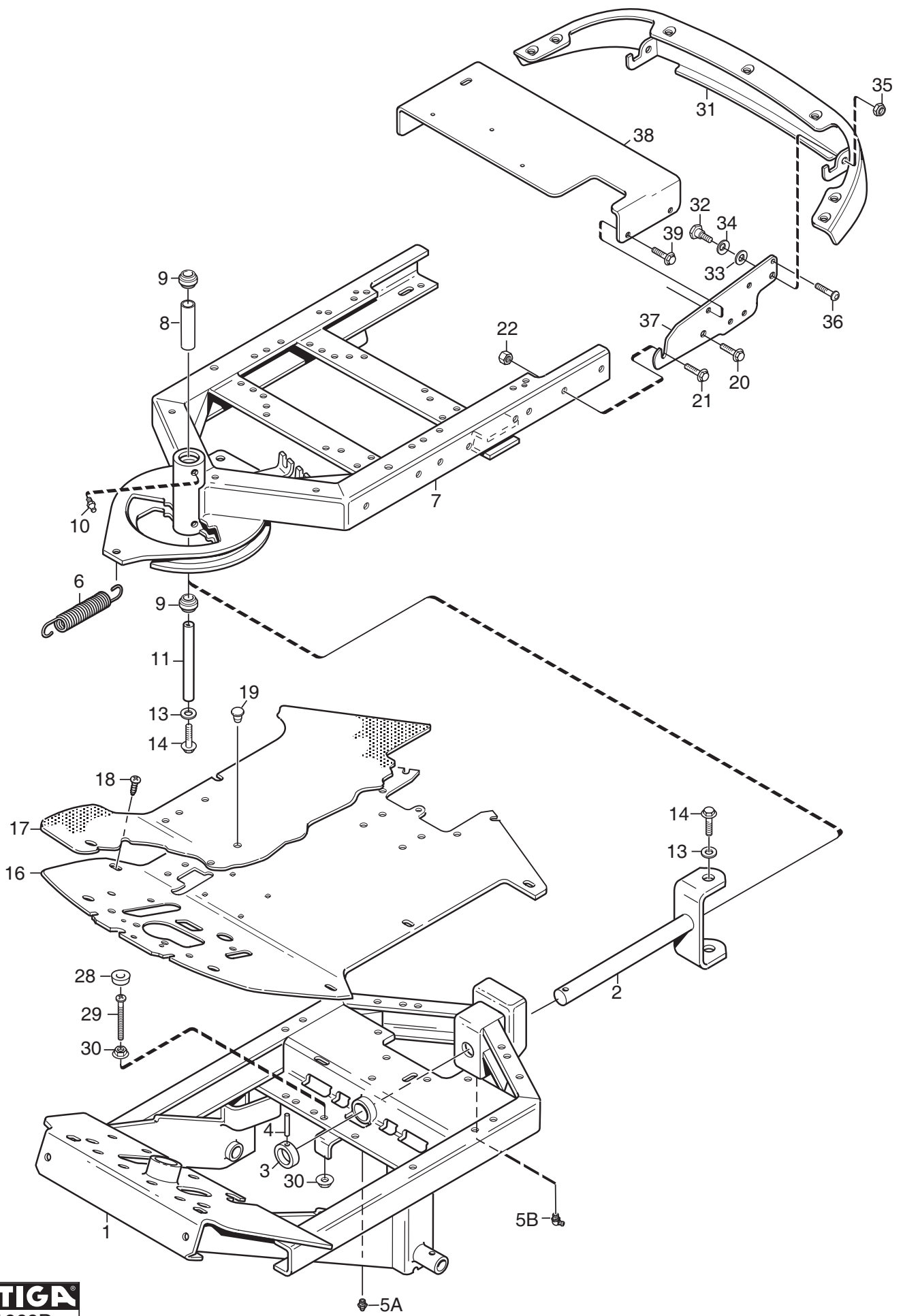


Utgåva Issue		Bildnr Picture No		PARK COMPACT 2WD MONTERINGSDETALJER		PARK COMPACT 2WD ASSEMBLY PARTS		Sida Page	
2011-11		1638D						2	
Pos. Fig.	Antal/Quantity			Art nr Part No	Benämning	Description	Sats Kit	Anmärkning Notes	
	6102 6103 -21	6102 6103 -31							
	2	1	1	1134-6113-01	Batteriskruvar	Battery screws			
	4	2	2	9595-0262-00	Spännstift	Locating pin			
	5A	1	1	9699-0103-02	Shims	Flat washer		0.5 mm	
	5B	1	1	9699-0114-02	Shims	Flat washer		1.0 mm	
	6	2	2	1134-4185-01	Ansatsbricka	Flange washer			
	7	2	2	9959-0820-16	Skruv	Screw			
	8	2	2	1134-4481-01	Vingmutter	Wing nut			
	9	4	4	9699-0056-02	Planbricka	Flat washer			
	10	2	2	1134-4734-01	Tändningsnyckel	Ignition key			
	12	2	2	9997-0820-16	Skruv	Screw			
	13	1	1	1134-5512-01	Dragplåt	Towing plate			
	14	2	2	9959-0820-16	Skruv	Screw			
	15	2	2	9739-0831-22	Mutter	Nut			
	18	2	2	9898-1035-16	Skruv	Screw			
	19	2	2	9739-1031-22	Mutter	Nut			
X	31	1		8211-0001-10	Bruksanvisning	Owner's manual		France	
X	31		1	8211-0051-10	Bruksanvisning	Owner's manual			
X	31	1		8211-0601-10	Monteringsanvisning	Assy instructions			
X	31	1		8211-0701-10	Säkerhetsföreskrifter	Safety regulations			
X	31	1	1	8211-0901-10	Servicebok	Service book			
X	31	1	1	8211-0960-10	Garantikort	Warranty card			

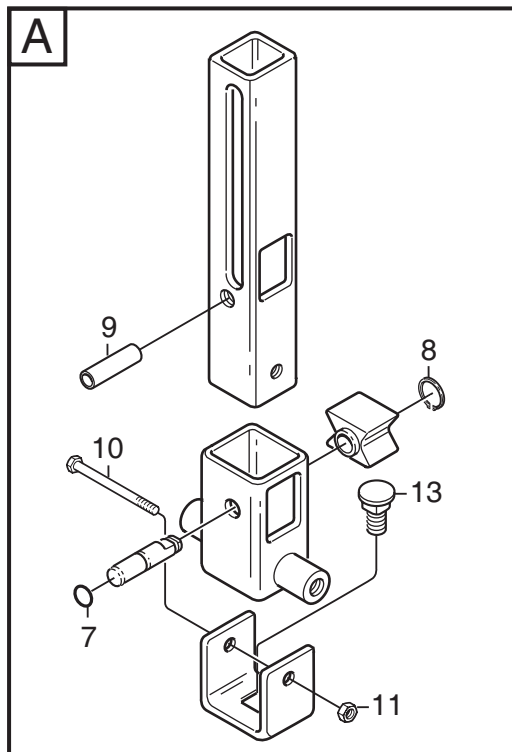
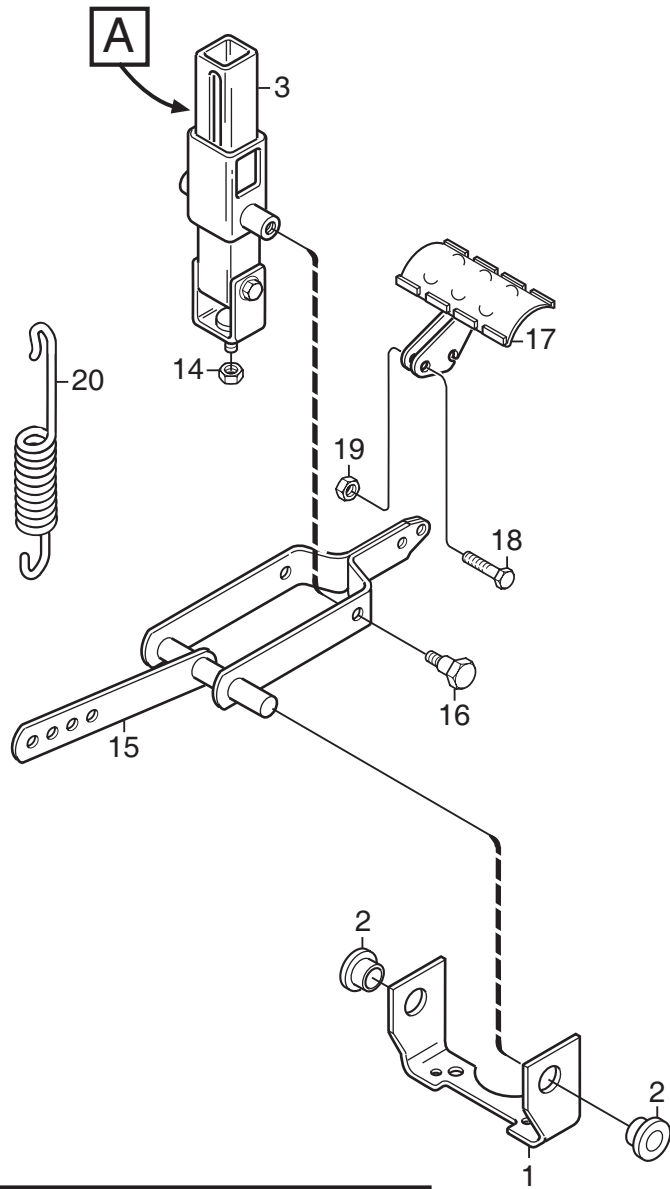
Utgåva Issue		Bildnr Picture No		PARK COMPACT 2WD KAROSS		PARK COMPACT 2WD BODY WORK		Sida Page	
2011- 11		1658B						4	
Pos. Fig.	Antal/Quantity				Art nr Part No	Benämning	Description	Sats Kit	Anmärkning Notes
	6102 6103								
1	1				1134-5263-02	Motorhuv- gul	Engine hood- yellow		Sats 3 st/kit of 3
2	7				9838-9530-12	Skruv	Screw		
3	1				1134-9028-01	Gummistropp- sats	Rubber strap kit		
4	1				9632-0516-00	Popnit	Pop rivet		
5	1				9699-0120-02	Bricka	Washer		
6	1				1134-5264-01	Motorlucka- grå	Engine cover- grey		
7	1				1134-5308-01	Stänkskärm vä- grå	Mud guard LH- grey		
8	1				1134-5308-02	Stänkskärm hö- grå	Mud guard RH- grey		
9	4				9893-0616-16	Skruv	Screw		
10	4				1134-4176-01	Clips	Clips		
11	2				1137-0088-01	Stödplåt	Support plate		
12	6				9945-0816-16	Skruv	Screw		
13	4				9699-0056-02	Planbricka	Flat washer		
14	1				1134-5306-01	Stötfångare, front- vä	Bumper, front- LH		
15	1				1134-5306-02	Stötfångare, front- hö	Bumper, front- RH		
16	2				9893-0616-16	Skruv	Screw		
18	1				1134-5305-01	Front- nedre	Front plate- lower		
19	2				9893-0616-16	Skruv	Screw		
20	1				1134-5320-02	Front- övre	Front- upper		
21	2				9946-0525-16	Skruv	Screw		
22	1				1134-6241-01	Huvstöd	Hood support		
23	3				9893-0616-16	Skruv	Screw		
24	1				1134-3970-05	Kantlist- vä, grå	Moulding- LH, grey		
25	1				1134-3970-02	Kantlist- hö, grå	Moulding- RH, grey		
26	2				9893-0616-16	Skruv	Screw		
27	2				9699-0060-02	Planbricka	Flat washer		
28	2				9747-0631-02	Låsmutter	Lock nut		
29	2				9897-0616-16	Vagnsbult	Carriage bolt		
99	1				1134-6440-02	Dekalsats	Label kit		



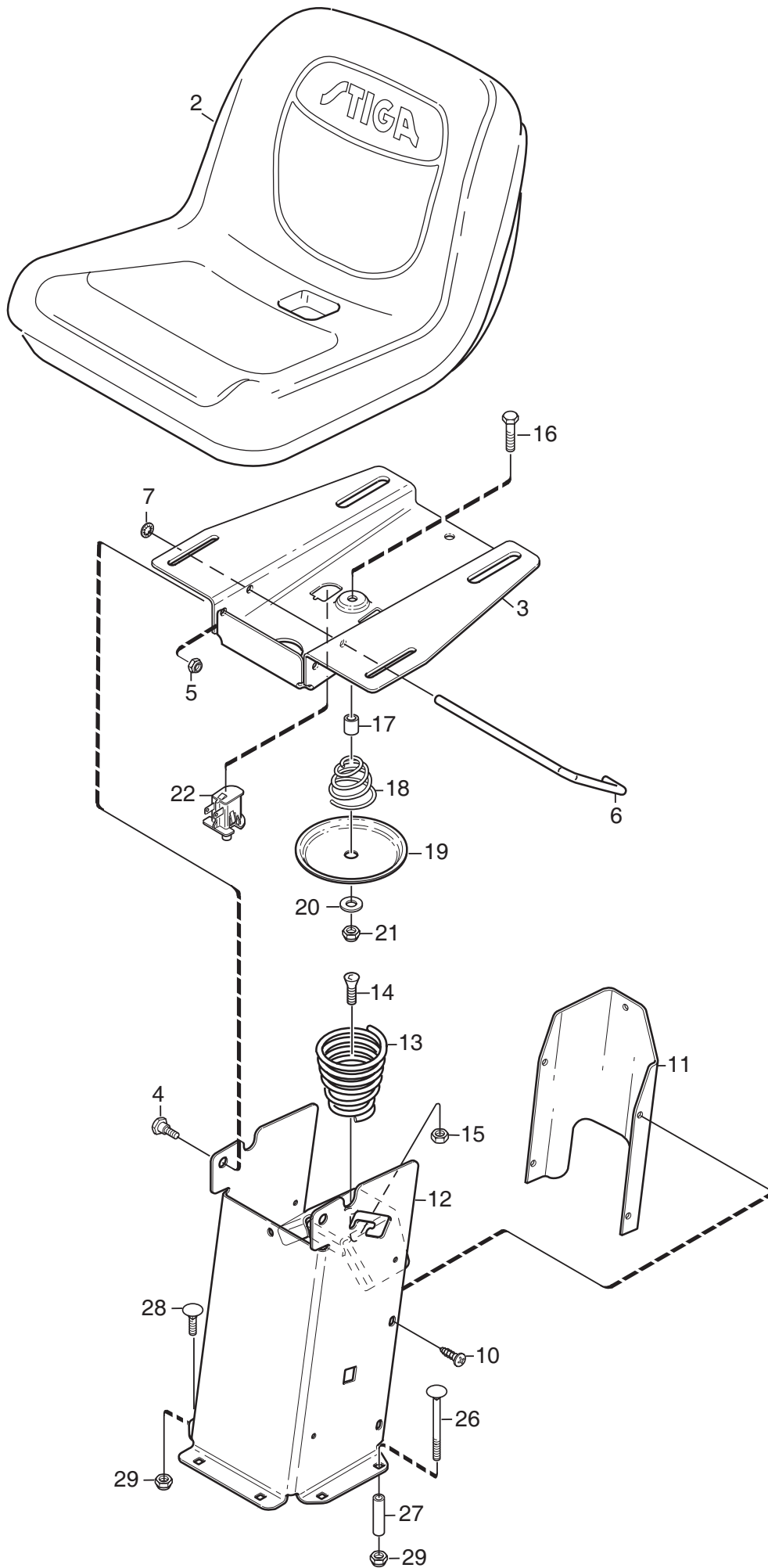
Utgåva Issue 2011- 11		Bildnr Picture No 2822		PARK COMPACT 2WD KAROSS (Frankrike)		PARK COMPACT 2WD BODY WORK (France)		Sida Page 6	
Pos. Fig.	Antal/Quantity				Art nr Part No	Benämning	Description	Sats Kit	Anmärkning Notes
	6102 6103 FR								
X	1	1			1137-0352-01	Skydd	Protection		
X	2	1			1137-0354-01	Skydd	Protection		
X	3	2			1137-0355-01	Gummiduk.....	Rubber sheet.....		
	4	4			9893-0616-16	Skruv.....	Screw.....		
	5	4			9739-0631-22	Mutter.....	Nut.....		
	6	4			9699-0025-02	Planbricka.....	Washer.....		
X	10	1			1137-0413-01	Bygel	Loop.....		
	11	2			9893-0616-16	Skruv.....	Screw.....		
	12	2			9959-0620-16	Skruv.....	Screw.....		
	13	2			9739-0631-22	Mutter.....	Nut.....		
X	14	1			1137-0357-01	Överfall.....	Clamp.....		
X	20	1			1137-0391-01	Skydd	Protection		
	21	1			9893-0616-16	Skruv.....	Screw.....		
	22	1			9959-0620-16	Skruv.....	Screw.....		
	23	1			9739-0631-22	Mutter.....	Nut.....		
X	25	1			1137-0393-01	Skyddsplåt.....	Protection plate.....		
X	27	1			1137-0363-01	Skydd	Protection		
	28	2			9675-0009-02	Starlock.....	Starlock		
	29	6			9893-0616-16	Skruv.....	Screw.....		
	30	6			1134-5114-01	Distans	Spacer.....		
X	33A	1			1137-0366-01	Skydd- hö	Protection- RH		
X	33B	1			1137-0366-02	Skydd- vä.....	Protection- LH.....		
	34	8			9579-0003-00	Buntband	Cable holder.....		
X	35	1			1137-0414-01	Fäste.....	Bracket.....		



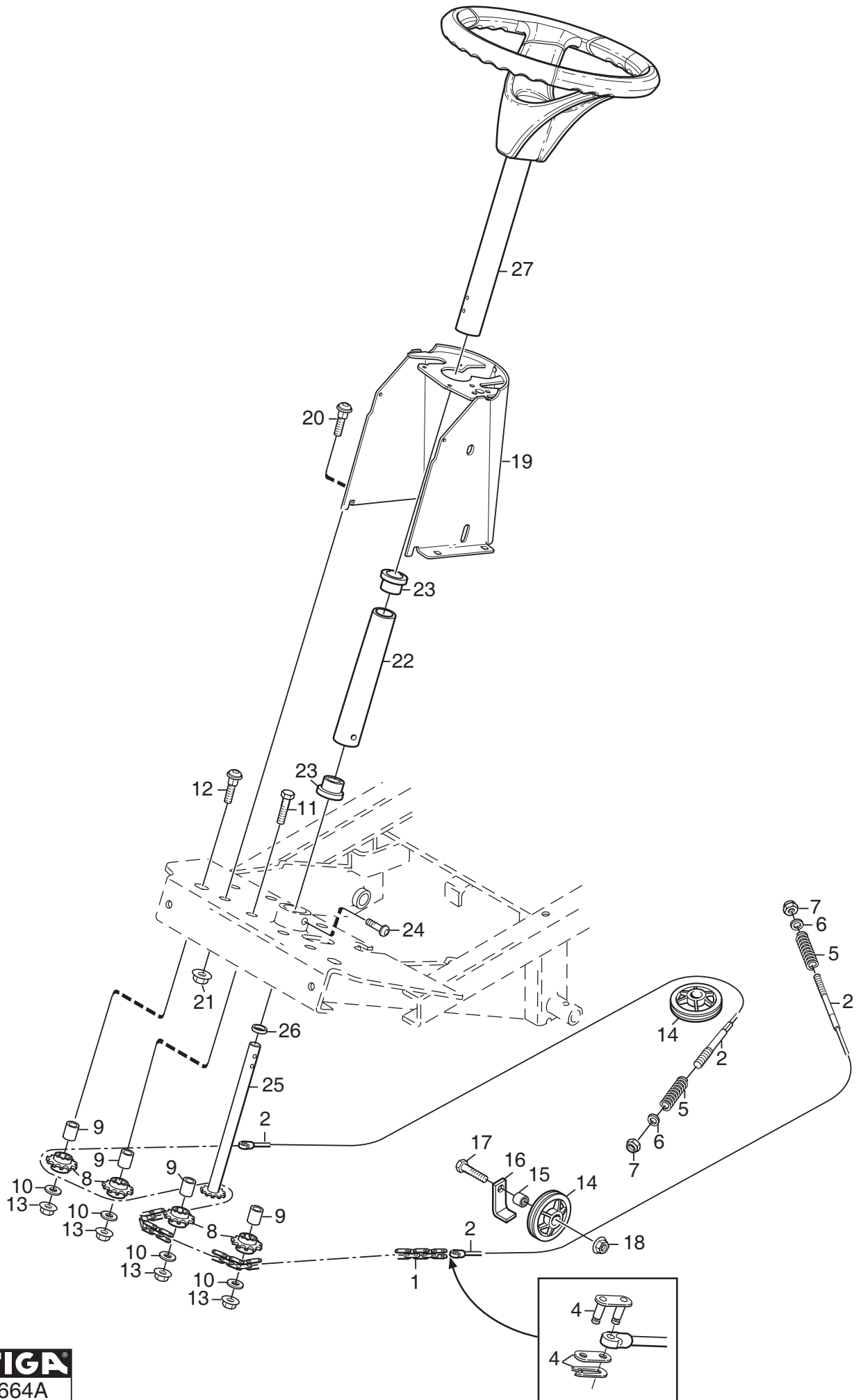
Utgåva Issue		Bildnr Picture No		PARK COMPACT 2WD RAM		PARK COMPACT 2WD FRAME		Sida Page	
2011- 11		1669D						8	
Pos. Fig.	Antal/Quantity			Art nr Part No	Benämning	Description	Sats Kit	Anmärkning Notes	
	6102 6103 -21	6102 6103 -31							
X	1	1		1137-0182-01	Ram- främre	Frame- front		Inkl. pos 2- 5	
X	1		1	1137-0388-01	Ram- främre	Frame- front		Inkl. pos 2- 5	
	2	1	1	1134-3963-02	• Midjegaffel	• Clevis			
	3	1	1	1134-0031-00	• Ledaxelstopp	• Pivot shaft stop			
	4	1	1	9595-0262-00	• Spännstift	• Locating pin			
	5A	1	1	9501-0500-00	• Smörjnippel	• Grease joint		Rak/straight	
	5B	1	1	9501-0504-01	• Smörjnippel	• Grease joint		90°	
	6	1	1	1134-2171-01	Fjäder	Spring			
	7	1	1	1134-6466-01	Ram- bakre	Frame- rear			
	8	1	1	1134-5705-01	• Distans	• Spacer			
	9	2	2	9547-0001-00	• Ledlager	• Bearing			
	10	2	2	9501-0500-00	• Smörjnippel	• Grease joint			
	11	1	1	1134-5988-01	Centrumaxel	Centre shaft			
	13	2	2	9699-0035-02	Planbricka	Flat washer			
	14	2	2	9959-1025-16	Skruv	Screw			
	16	1	1	1134-6586-01	Durk	Floor plate			
	17	1	1	1134-6372-04	Durkmatta	Floor mat			
	18	2	2	9893-0616-16	Skruv	Screw			
	19	2	2	9403-0048-70	Täckpropp	Plug			
	20	2	2	9945-0816-16	Skruv	Screw			
	21	2	2	9959-0820-16	Skruv	Screw			
	22	2	2	9739-0831-22	Mutter	Nut			
	28	1	1	1134-4975-01	Gummibuffert	Rubber block			
	29	1	1	9950-0570-12	Skruv	Screw			
	30	2	2	9739-0531-22	Mutter	Nut			
	31	1	1	1134-5337-02	Stötfångare- bak, grå	Bumper- rear, grey			
	32	2	2	1134-0240-00	Ansatsskruv	Shoulder screw			
	33	2	2	1134-4242-01	Distansbricka	Spacer washer			
	34	2	2	9665-0002-00	Brickfjäder	Bowed washer			
	35	2	2	9747-0831-02	Mutter	Lock nut			
	36	2	2	9943-0516-16	Skruv	Screw			
	37	2	2	1134-5345-01	Stag	Attachment			
	38	1	1	1134-5344-01	Batterihylla	Battery shelf			
	39	4	4	9945-0816-16	Skruv	Screw			



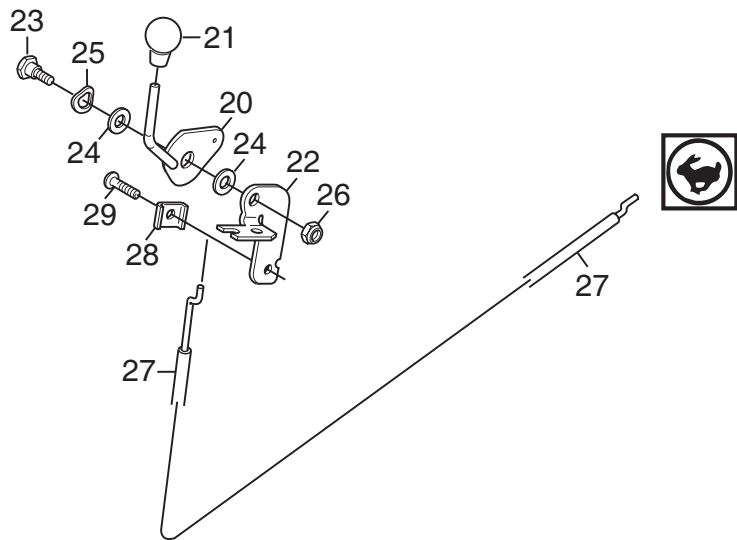
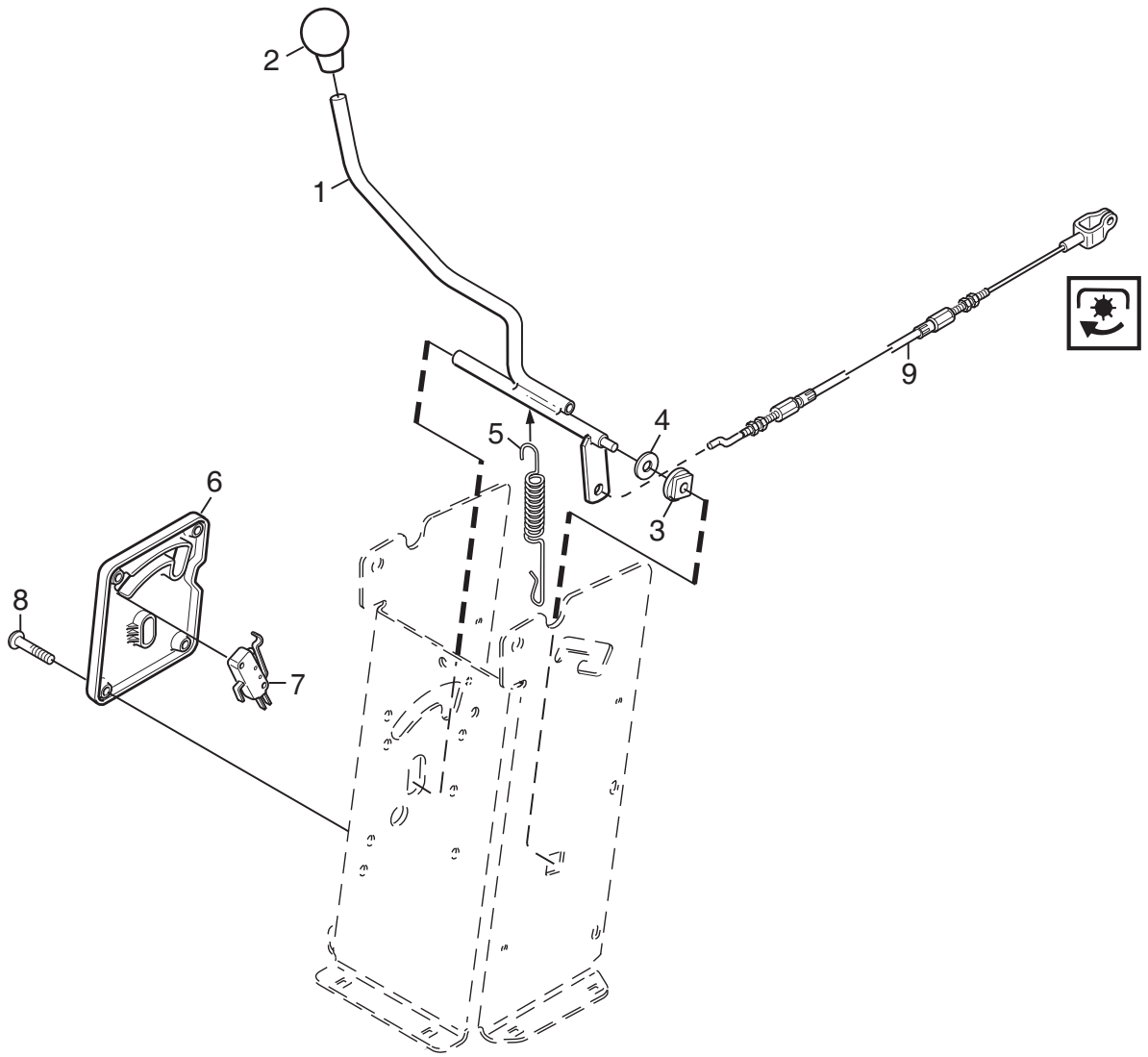
Utgåva Issue		Bildnr Picture No		PARK COMPACT 2WD PEDALLYFT		PARK COMPACT 2WD PEDAL LIFT		Sida Page	
2011-11		1023D						10	
Pos. Fig.	Antal/Quantity				Art nr Part No	Benämning	Description	Sats Kit	Anmärkning Notes
	6102 6103								
1	1				1134-4117-01 Fäste	Bracket			
2	2				1134-2684-01 Lager	Bearing			
3	1				1134-4945-01 Lyftspärr kpl	Lift catch assy			
7	1				9404-0027-01 • O-ring	• O-ring			
8	1				9650-0039-04 • Seegersäkring	• Lock ring			
9	1				9595-0276-01 • Spännstift	• Locating pin			
10	1				9997-0640-12 • Skruv	• Screw			
11	1				9747-0631-02 • Låsmutter	• Lock nut			
13	1				9897-0820-16 • Skruv	• Screw			
14	1				9747-0831-02 Mutter	Lock nut			
15	1				1134-4860-01 Lyftgaffel	Lift fork			
16	2				1134-0240-00 Ansatsskruv	Shoulder screw			
17	1				1134-4938-01 Lyftpedal	Lift pedal			
18	2				9997-0625-16 Skruv	Screw			
19	2				9739-0631-22 Mutter	Nut			
20	1				4231-0013-00 Fjäder	Spring			



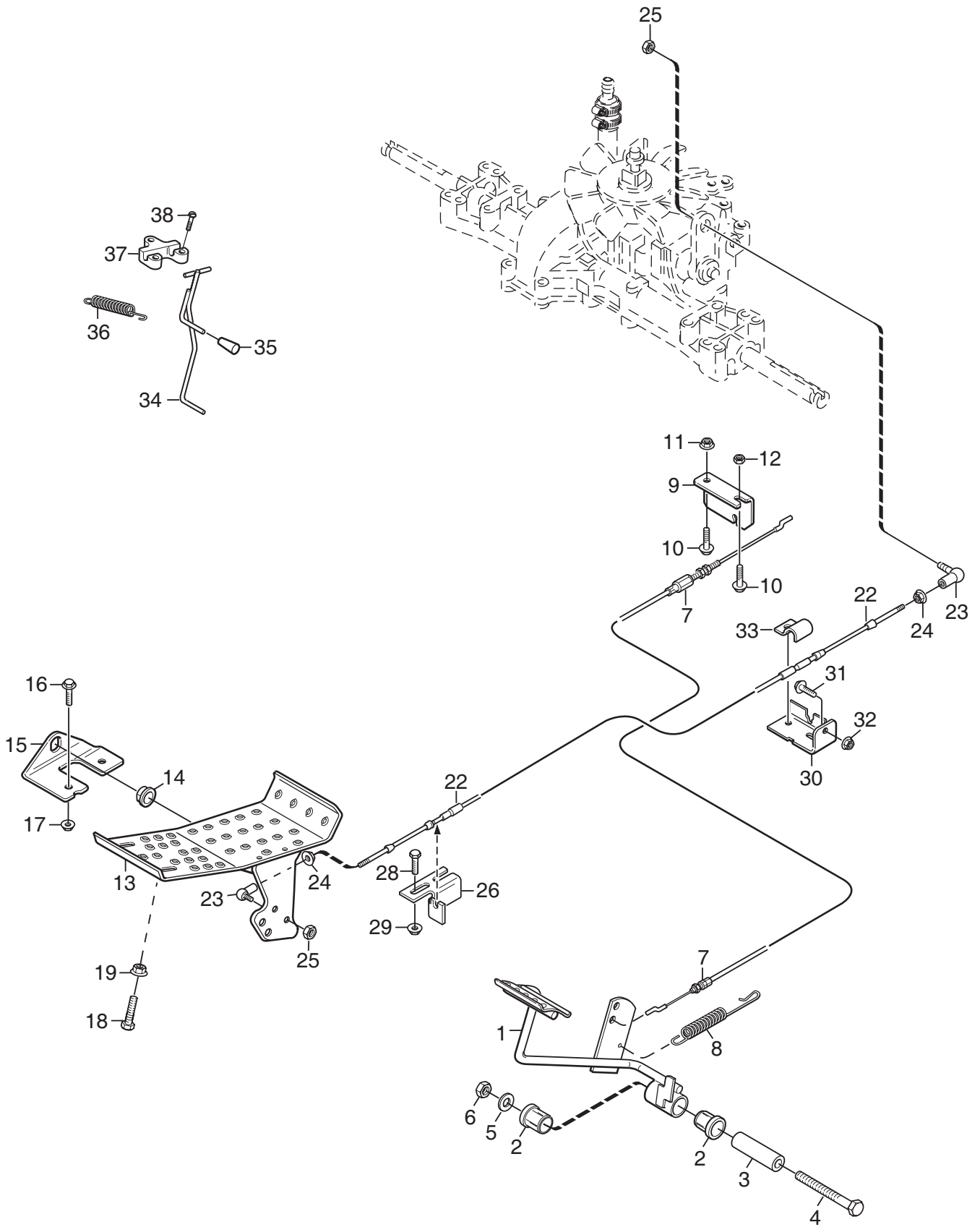
Utgåva Issue		Bildnr Picture No		PARK COMPACT 2WD SITS		PARK COMPACT 2WD SEAT		Sida Page	
2011- 11		1657B						12	
Pos. Fig.	Antal/Quantity				Art nr Part No	Benämning	Description	Sats Kit	Anmärkning Notes
	6102	6103							
2	1				1134-6444-01 Sits	Seat			
3	1				1134-5301-01 Sitsplatta	Seat plate			
4	2				1134-0240-00 Ansattsskruv	Shoulder screw			
5	2				9747-0831-02 Mutter	Lock nut			
6	1				1134-5454-01 Spärr	Catch			
7	1				9675-0012-02 Starlock	Locking washer			
10	4				9893-0616-16 Skruv	Screw			
11	1				1134-5300-01 Bakstycke- gul	Rear plate- yellow			
12	1				1134-5296-04 Sitskonsol- gul	Seat bracket- yellow			
13	1				1134-4256-01 Sitsfjäder	Seat spring			
14	1				9924-1235-19 Skruv	Screw			
15	1				9747-1231-02 Låsmutter	Lock nut			
16	1				9997-0840-12 Skruv	Screw			
17	1				1134-1565-06 Distans	Spacer			
18	1				1134-5302-01 Fjäder	Spring			
19	1				1134-5299-01 Tryckplatta	Push plate			
20	1				9699-0090-02 Planbricka	Flat washer			
21	1				9747-0831-02 Mutter	Lock nut			
22	1				1134-3156-02 Brytare (grå)	Switch (grey)			
26	2				9897-0880-12 Skruv	Screw			L = 80 mm
27	2				1134-1565-08 Distans	Spacer			
28	4				9897-0820-16 Skruv	Screw			L = 20 mm
29	6				9747-0831-02 Mutter	Lock nut			



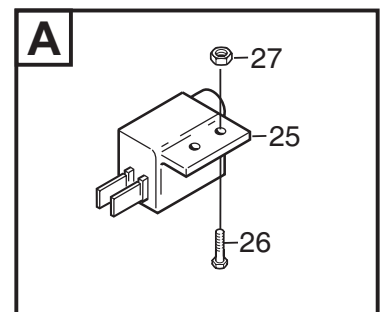
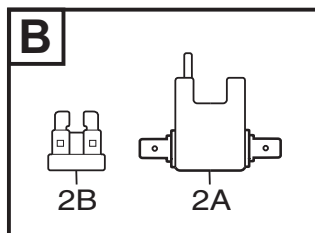
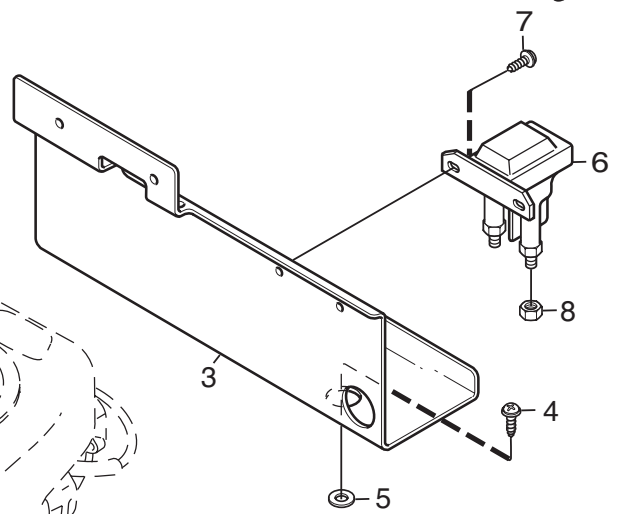
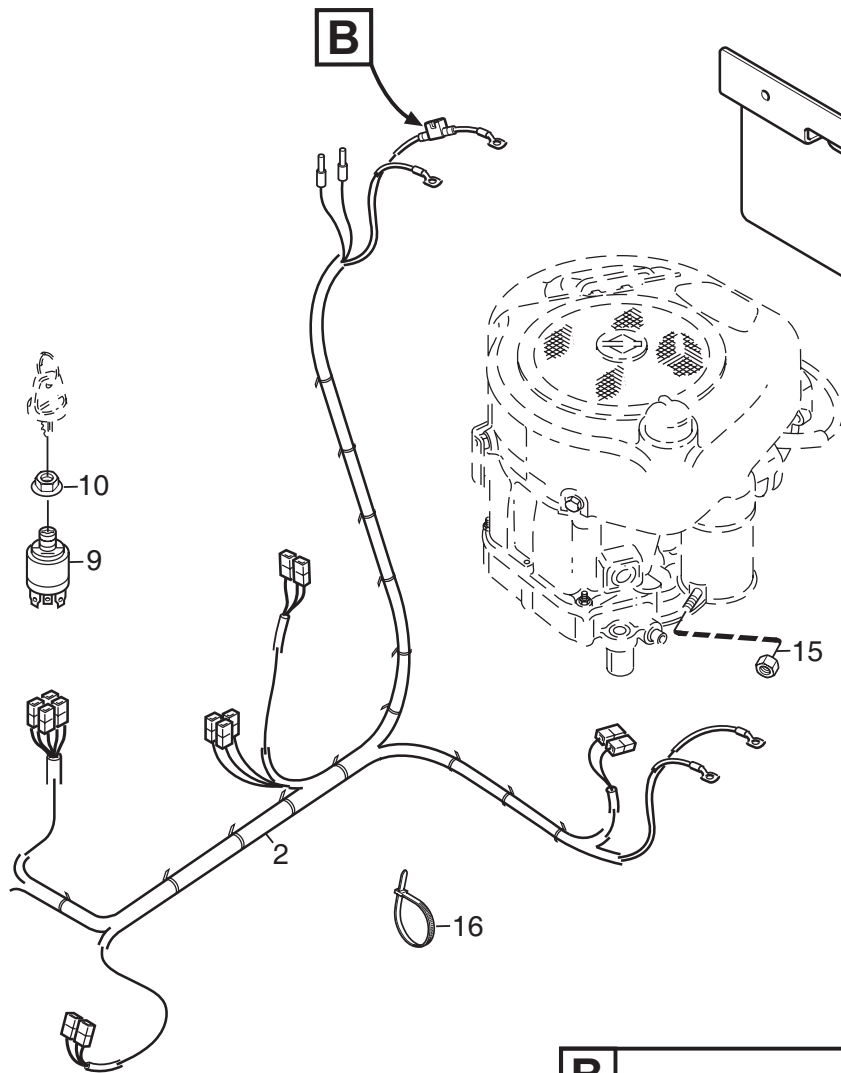
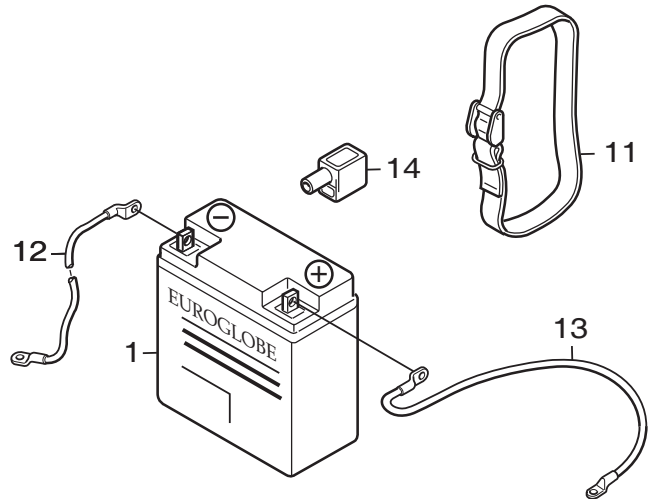
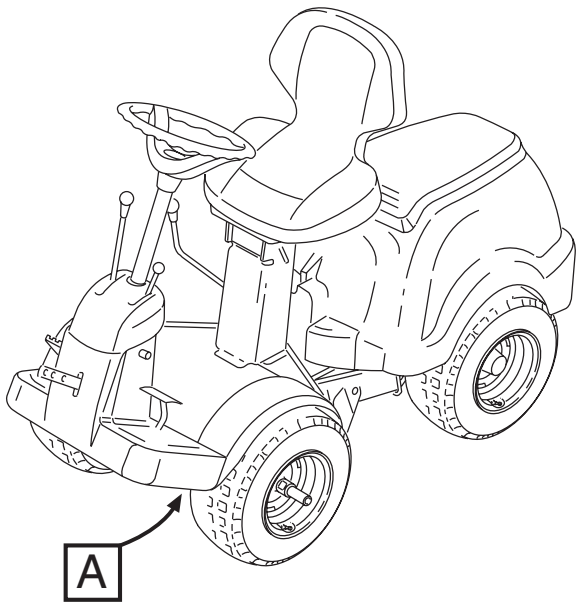
Utgåva Issue		Bildnr Picture No		PARK COMPACT 2WD STYRNING		PARK COMPACT 2WD STEERING		Sida Page	
2011-11		1664A						14	
Pos. Fig.	Antal/Quantity				Art nr Part No	Benämning	Description	Sats Kit	Anmärkning Notes
	6102								
6103									
1	1				1134-6374-06 Kedja	Chain.....		83 länk	
2	1				1134-9084-01 Styrwire kpl (vä+hö)	Steering cable assy		Sats vä+hö/kit L+R	
4	2				1134-2824-02 Kedjelås	Chain lock		L = 58 mm	
5	2				1134-3817-01 Tryckfjäder	Compression spring.....			
6	2				9699-0090-02 Planbricka.....	Flat washer.....			
7	2				9747-0831-02 Mutter.....	Lock nut.....			
8	4				1134-2816-01 Kedjehjul.....	Sprocket.....			
9	4				1134-0041-02 Linhjushylsa	Idler wheel bush.....			
10	4				9699-0035-02 Planbricka.....	Flat washer.....			
11	2				9997-1050-16 Skruv	Screw.....			
12	2				9897-1040-12 Skruv	Screw.....			
13	4				9739-1031-22 Mutter.....	Nut.....			
14	2				1134-9025-01 Linhjuls-sats	Steering pulley-kit		Sats 2 st/kit of 2	
15	2				1134-0041-01 Linhjushylsa	Bushing.....			
16	2				1134-0046-00 Linhållare.....	Wire clamp.....			
17	2				9997-1030-16 Skruv	Screw.....			
18	2				9739-1031-22 Mutter.....	Nut.....			
19	1				1134-5349-01 Styrkonsol- gul	Steering console- yel.....			
20	4				9897-0820-16 Skruv	Screw.....			
21	4				9739-0831-22 Mutter.....	Nut.....			
22	1				1134-1305-05 Rattrör- nedre	Steering column- lower			
23	2				1134-1901-01 Lager	Bearing.....			
24	2				9893-0616-16 Skruv	Screw.....			
25	1				1137-0079-02 Rattstång	Steering rod			
26	1				1134-2837-01 Distans	Spacer.....			
27	1				1134-5496-03 Ratt.....	Steering wheel			



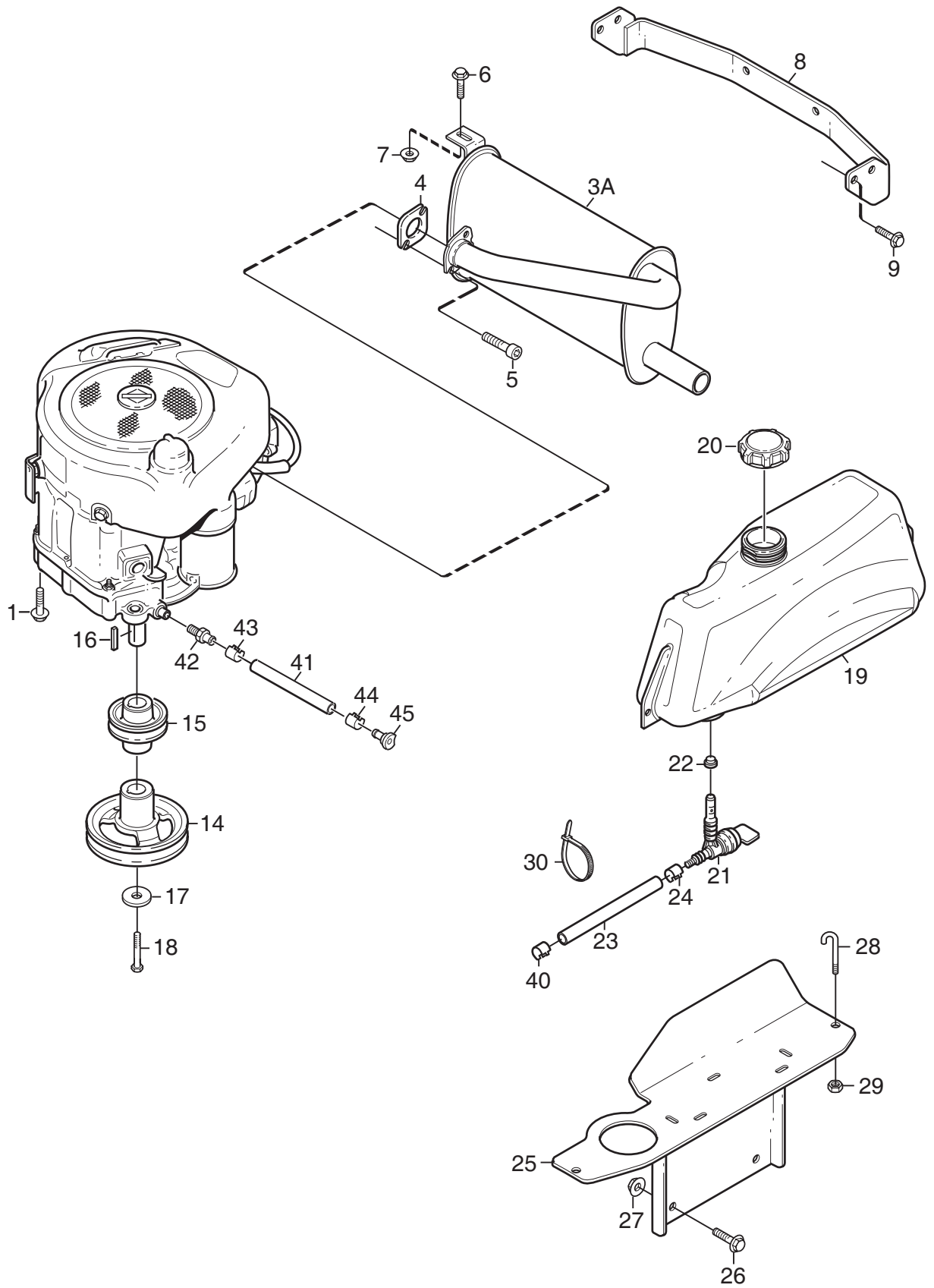
Utgåva Issue		Bildnr Picture No		PARK COMPACT 2WD HANDREGLAGE		PARK COMPACT 2WD HAND CONTROLS		Sida Page	
2011-11		1670B						16	
Pos. Fig.	Antal/Quantity				Art nr Part No	Benämning	Description	Sats Kit	Anmärkning Notes
	6102 6103								
1	1				1134-6301-01	Aggregatsspak.....	Engagement lever		
2	1				1134-2551-01	Reglageknopp.....	Knob		
3	1				1134-3790-02	Lager	Bearing.....		
4	1				9699-0090-02	Planbricka.....	Flat washer.....		
5	1				4231-0013-00	Fjäder.....	Spring		
6	1				1134-5368-01	Panel	Dashboard		
7	1				9400-0360-01	Mikrobrytare.....	Micro switch		
8	4				9946-0525-16	Skruv	Screw		
9	1				1134-3573-05	Reglagewire.....	Control cable.....		
20	1				1134-5465-01	Gasreglage.....	Throttle lever.....		
21	1				1134-4078-01	Knopp.....	Knob		
22	1				1134-5464-01	Fäste.....	Bracket.....		
23	1				1134-0240-00	Ansatsskruv.....	Shoulder screw.....		
24	2				1134-4242-01	Distansbricka.....	Spacer washer		
25	1				9694-0001-00	Fjäderbricka	Washer.....		
26	1				9747-0831-02	Mutter.....	Lock nut.....		
27	1				1134-4197-03	Gaswire	Throttle cable		
28	1				9500-9991-00	Wireklämma	Cable clamp		
29	1				9943-0516-16	Skruv.....	Screw.....		



Utgåva Issue		Bildnr Picture No		PARK COMPACT 2WD FOTREGLAGE		PARK COMPACT 2WD FOOT CONTROLS		Sida Page	
2011- 11		2026A						18	
Pos. Fig.	Antal/Quantity				Art nr Part No	Benämning	Description	Sats Kit	Anmärkning Notes
	6102 6103								
1	1				1134-5655-01	Broms/kopplingspedal.....	Brake/clutch pedal.....		Sats 4 st/kit of 4
2	1				1134-9024-01	Lager.....	Bearing.....		
3	1				1134-5677-02	Distans.....	Spacer.....		
4	1				9997-1070-12	Skruv.....	Screw.....		
5	1				9699-0030-02	Planbricka.....	Flat washer.....		
6	1				9739-1031-22	Mutter.....	Nut.....		
7	1				1134-6005-01	Wire.....	Cable.....		
8	1				4231-0013-00	Fjäder.....	Spring.....		
9	1				1134-6467-01	Wirefäste.....	Cable holder.....		
10	2				9959-0820-16	Skruv.....	Screw.....		
11	1				9739-0831-22	Mutter.....	Nut.....		
12	1				9739-0831-22	Mutter.....	Nut.....		
13	1				1134-6353-01	Drivpedal.....	Drive pedal.....		
14	2				1134-6313-01	Lager.....	Bearing.....		
15	2				1134-2700-01	Fäste.....	Bracket.....		
16	2				9959-0820-16	Skruv.....	Screw.....		
17	2				9739-0831-22	Mutter.....	Nut.....		
18	1				9997-0835-16	Skruv.....	Screw.....		
19	1				9739-0831-22	Mutter.....	Nut.....		
22	1				1134-2766-05	Reglagewire.....	Speed control cable.....		
23	2				9570-0001-00	Vinkellänk.....	Elbow link.....		
24	2				9739-0531-22	Mutter.....	Nut.....		
25	2				9747-0531-02	Mutter.....	Nut.....		
26	1				1134-6317-01	Wirefäste.....	Cable holder.....		
28	2				9959-0620-16	Skruv.....	Screw.....		
29	2				9739-0631-22	Mutter.....	Nut.....		
30	1				1134-3395-01	Fäste.....	Attachment.....		
31	2				9959-0820-16	Skruv.....	Screw.....		
32	2				9739-0831-22	Mutter.....	Nut.....		
33	1				1134-2021-01	Växelwirefäste.....	Clamp.....		
34	1				1134-5353-01	Bromsstång.....	Brake rod.....		
35	1				1134-2786-01	Plastknopp.....	Plastic knob.....		
36	1				1131-1497-01	Fjäder.....	Spring.....		
37	1				1134-4002-01	Fäste.....	Brake rod attachment.....		
38	3				9838-9516-12	Skruv.....	Screw.....		

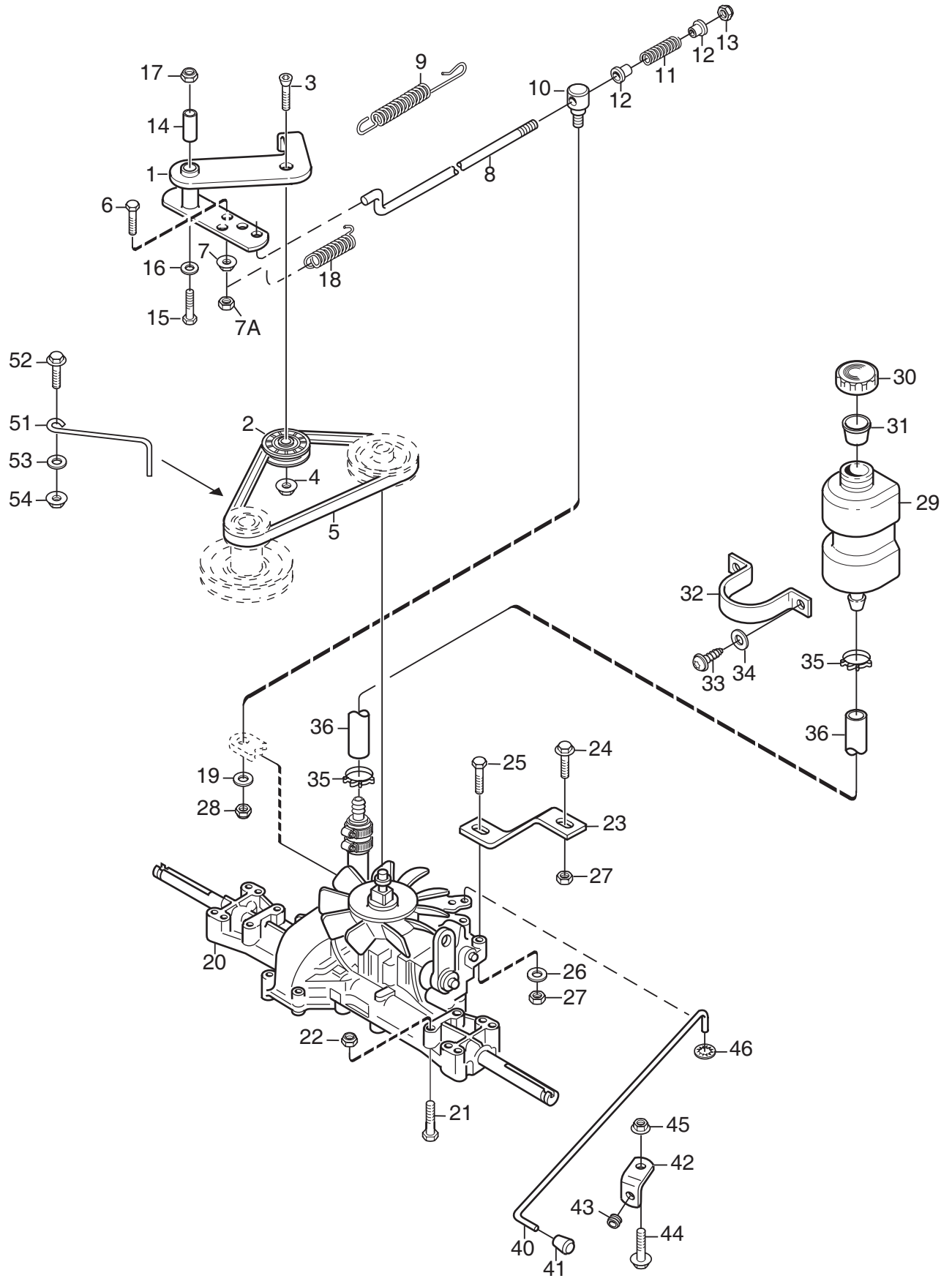


Utgåva Issue		Bildnr Picture No		PARK COMPACT 2WD ELUTRUSTNING		PARK COMPACT 2WD EL. EQUIPMENT		Sida Page	
2011-11		1671G						20	
Pos. Fig.	Antal/Quantity				Art nr Part No	Benämning	Description	Sats Kit	Anmärkning Notes
	6102 6103								
1	1				1134-4804-01	Batteri	Battery		
2	1				1134-5769-01	Kablage.....	Harness.....		
2A	1				9400-0327-01	• Säkringshållare	• Fuse holder		Inkl. pos 2B
2B	1				1134-3496-06	•• Säkring	•• Fuse		20A
3	1				1134-5343-01	Batterikonsol	Battery bracket.....		
4	3				9852-8013-16	Skruv	Screw.....		
5	2				9699-0060-02	Planbricka.....	Flat washer.....		
6	1				1134-2962-01	Solenoid kpl	Solenoid assy.....		Inkl. pos 8
7	2				9852-8013-16	Skruv	Screw.....		
8	2				9794-5131-02	• Mutter.....	• Nut		
9	1				1134-4093-01	Tändningslås	Ignition switch		
10	1				1134-4749-01	Mutter.....	Nut		
11	1				1134-5245-01	Batterirem.....	Battery strap		
12	1				1134-2167-01	Kabel	Cable		L = 530 mm
13	1				1134-0234-02	Batterikabel (+)	Battery cable (+).....		
14	1				1134-2310-01	Batteriskydd.....	Guard cap		
15	1				9795-3531-02	Mutter.....	Nut		1/4" UNC
16	15				9579-0003-00	Buntband	Cable holder		
25	1				1134-3399-02	Brytare.....	Switch		
26	2				9997-0520-16	Skruv	Screw.....		
27	2				9747-0531-02	Mutter.....	Nut		



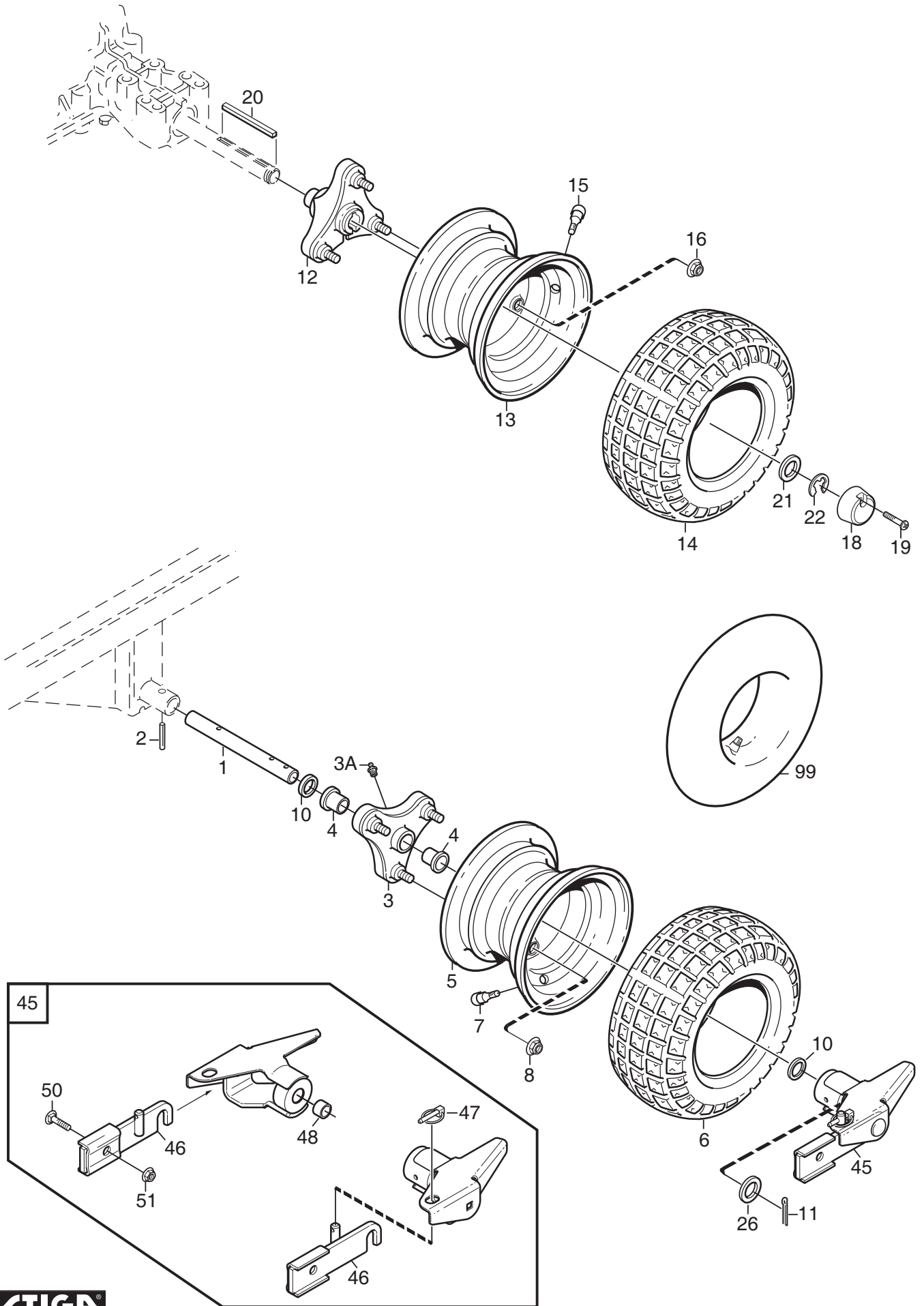
Utgåva Issue 2011-11		Bildnr Picture No 1672E		PARK COMPACT 2WD MOTOR (B&S)		PARK COMPACT 2WD ENGINE (B&S)		Sida Page 22	
Pos. Fig.	Antal/Quantity			Art nr Part No	Benämning	Description	Sats Kit	Anmärkning Notes	
	6103	6102							
1	4	4		9955-3725-16	Skruv.....	Screw.....		3/8" UNC x 25 mm	
3A		1		1134-5370-01	Ljuddämpare	Muffler			
3A	1			1134-7784-01	Ljuddämpare	Muffler			
4	1	1		1134-0433-00	Ljuddämparpackning.....	Muffler gasket.....			
5	2	2		1134-4930-01	Skruv.....	Screw.....			
6	1	1		9959-0820-16	Skruv.....	Screw.....			
7	1	1		9739-0831-22	Mutter.....	Nut.....			
8	1	1		1134-5390-01	Dragkroksbalk	Tow bar bracket.....			
9	4	4		9945-0816-16	Skruv.....	Screw.....			
14	1	1		1137-0082-01	Motorremskiva	Engine pulley.....			Ø = 139 mm Ø = 85 mm L = 2 1/2"
15	1	1		1137-0007-01	Motorremskiva	Engine pulley.....			
16	1	1		9600-0251-01	Kil	Key.....			
17	1	1		1134-5017-01	Bricka	Washer.....			
18	1	1		9987-5332-16	Skruv.....	Screw.....			
19	1	1		1134-6618-01	Bränsletank.....	Fuel tank			
20	1	1		1134-5532-01	Tanklock	Fuel tank cap.....			
21	1	1		1134-3224-01	Bensinkran.....	Fuel shut-off valve.....			
22	1	1		1134-3225-01	Gummibussning.....	Grommet.....			
23	0,52	0,52		9505-0001-01	Bensinslang (meter)	Fuel line (metre).....			Per meter
24	1	1		9578-0023-02	Slangklämma.....	Hose clamp			
25	1	1		1134-6627-01	Tankkonsol	Fuel tank bracket.....			
26	2	2		9959-0820-16	Skruv.....	Screw.....			
27	2	2		9739-0831-22	Mutter.....	Nut.....			
28	2	2		1134-5346-01	Tankbygel	Fuel tank loop.....			
29	2	2		9747-0631-02	Låsmutter	Lock nut.....			
30	1	1		9579-0003-00	Buntband	Cable holder.....			
40	1	1		9578-0023-02	Slangklämma.....	Hose clamp			
41	1	1		1134-5827-01	Oljeavtappning kpl	Oil drain assy		Inkl. pos 42 - 45	
42	1	1		1134-5825-01	• Nippel	• Nipple.....			
43	1	1		9578-0023-04	• Slangklämma.....	• Hose clamp			
44	1	1		1134-3499-02	• Slangklämma.....	• Hose clamp			
45	1	1		1134-5826-01	• Plugg	• Plug.....			

X
X

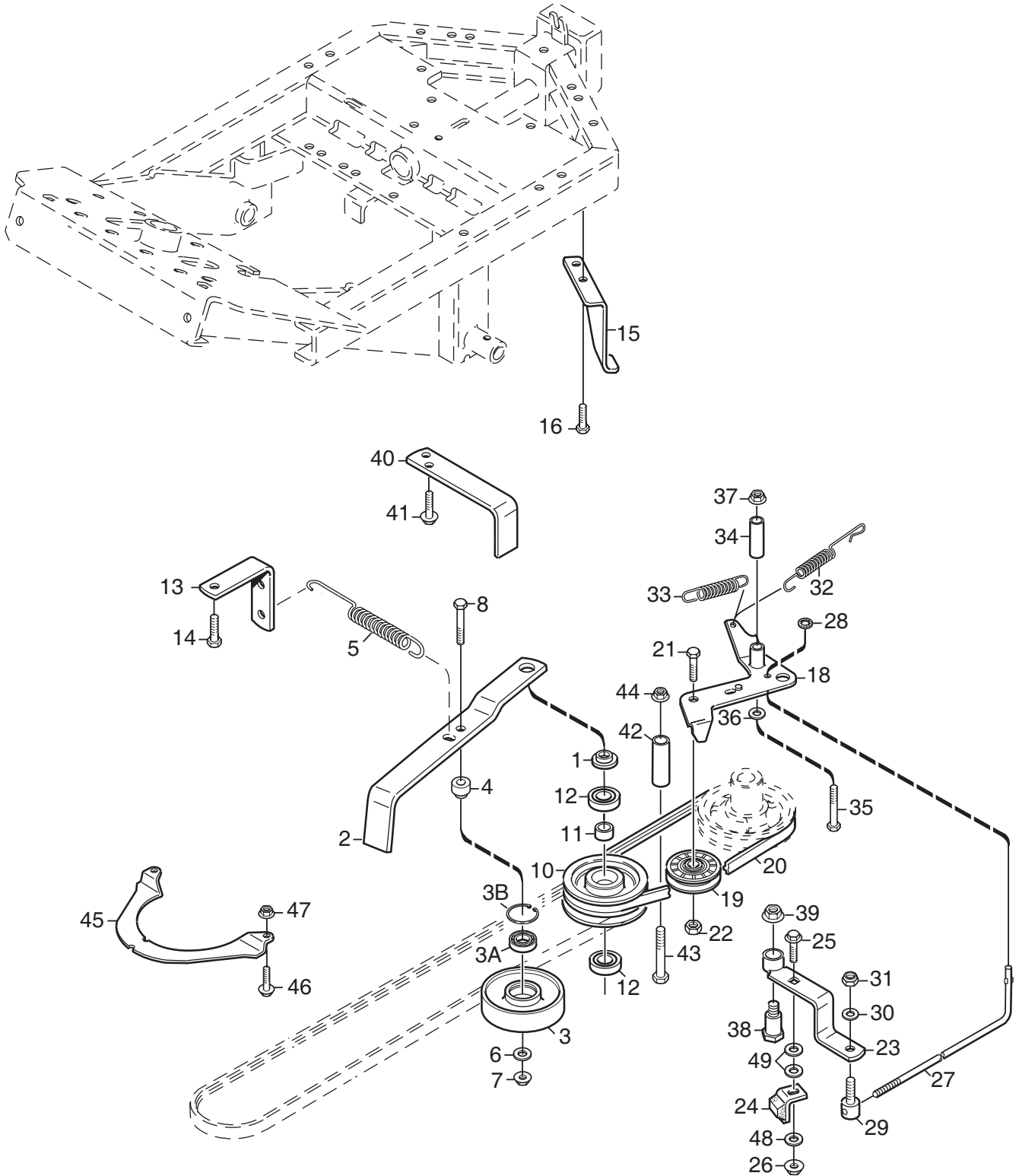


Utgåva Issue		Bildnr Picture No		PARK COMPACT 2WD TRANSMISSION		PARK COMPACT 2WD TRANSMISSION		Sida Page	
2011- 11		1668A						24	
Pos. Fig.	Antal/Quantity				Art nr Part No	Benämning	Description	Sats Kit	Anmärkning Notes
	6102	6103							
1	1				1134-4000-02 Spännarm.....	Tension arm.....			
2	1				1134-3459-01 Spännrulle.....	Tension roller.....			
3	1				9924-1035-16 Skruv.....	Screw.....			
4	1				9799-1031-02 Mutter.....	Nut.....			
5	1				1134-9058-01 Drivrem.....	V-belt.....			
6	1				9997-0625-16 Skruv.....	Screw.....			
7	1				9739-0631-22 Mutter.....	Nut.....			
7A	1				9747-0631-02 Låsmutter.....	Lock nut.....			
8	1				1134-3377-02 Reglagestång.....	Control rod.....			
9	1				4231-0013-00 Fjäder.....	Spring.....			
10	1				1134-4171-01 Ledtapp.....	Pivot pin.....			
11	1				1134-4183-01 Tryckfjäder.....	Compression spring.....			
12	2				1134-3456-01 Bussning.....	Bushing.....			
13	1				9747-0631-02 Låsmutter.....	Lock nut.....			
14	1				1134-1565-08 Distans.....	Spacer.....			
15	1				9997-0870-16 Skruv.....	Screw.....			
16	1				9699-0056-02 Planbricka.....	Flat washer.....			
17	1				9747-0831-02 Mutter.....	Lock nut.....			
18	1				1134-6414-01 Fjäder.....	Spring.....			
19	1				9699-0060-02 Planbricka.....	Flat washer.....			
20	1				1137-0123-01 Transaxel kpl.....	Transaxle Assy.....		Kanzaki K46CI	
21	4				9960-0860-12 Skruv.....	Screw.....			
22	4				9747-0831-02 Mutter.....	Lock nut.....			
23	1				1134-3913-01 Reaktionsstag.....	Strut.....			
24	1				9959-0825-16 Skruv.....	Screw.....			
25	1				9997-0845-12 Skruv.....	Screw.....			
26	1				9699-0090-02 Planbricka.....	Flat washer.....			
27	2				9747-0831-02 Mutter.....	Lock nut.....			
28	1				9747-0631-02 Låsmutter.....	Lock nut.....			
29	1				1134-2765-02 Oljetank.....	Oil tank.....			
30	1				1134-2777-02 Tanklock.....	Filler cap.....			
31	1				1134-3734-01 Luftningsplugg.....	Vent plug.....			
32	1				1134-2778-01 Fästband.....	Retainer strap.....			
33	2				9852-8013-16 Skruv.....	Screw.....			
34	2				9699-0099-02 Bricka.....	Washer.....			
35	2				9578-0035-01 Slangklämma.....	Hose clamp.....		14,6-17,8	
36	1				1134-2779-07 Slang.....	Tube.....		L = 140 mm	
40	1				1134-4015-01 Dragstång.....	Pull rod.....			
41	1				1134-4014-01 Plastknopp.....	Plastic button.....			
42	1				1134-4713-01 Vinkel.....	Bracket.....			
43	1				1134-2790-01 Gummihylsa.....	Rubber grommet.....			
44	1				9959-0820-16 Skruv.....	Screw.....			
45	1				9739-0831-22 Mutter.....	Nut.....			
46	1				9675-0009-02 Starlock.....	Starlock.....			
51	1				1134-3289-02 Remstyrning.....	Belt guide.....			
52	1				9959-0820-16 Skruv.....	Screw.....			
53	1				9699-0056-02 Planbricka.....	Flat washer.....			
54	1				9739-0831-22 Mutter.....	Nut.....			

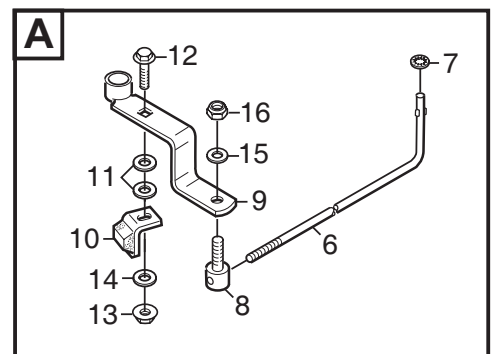
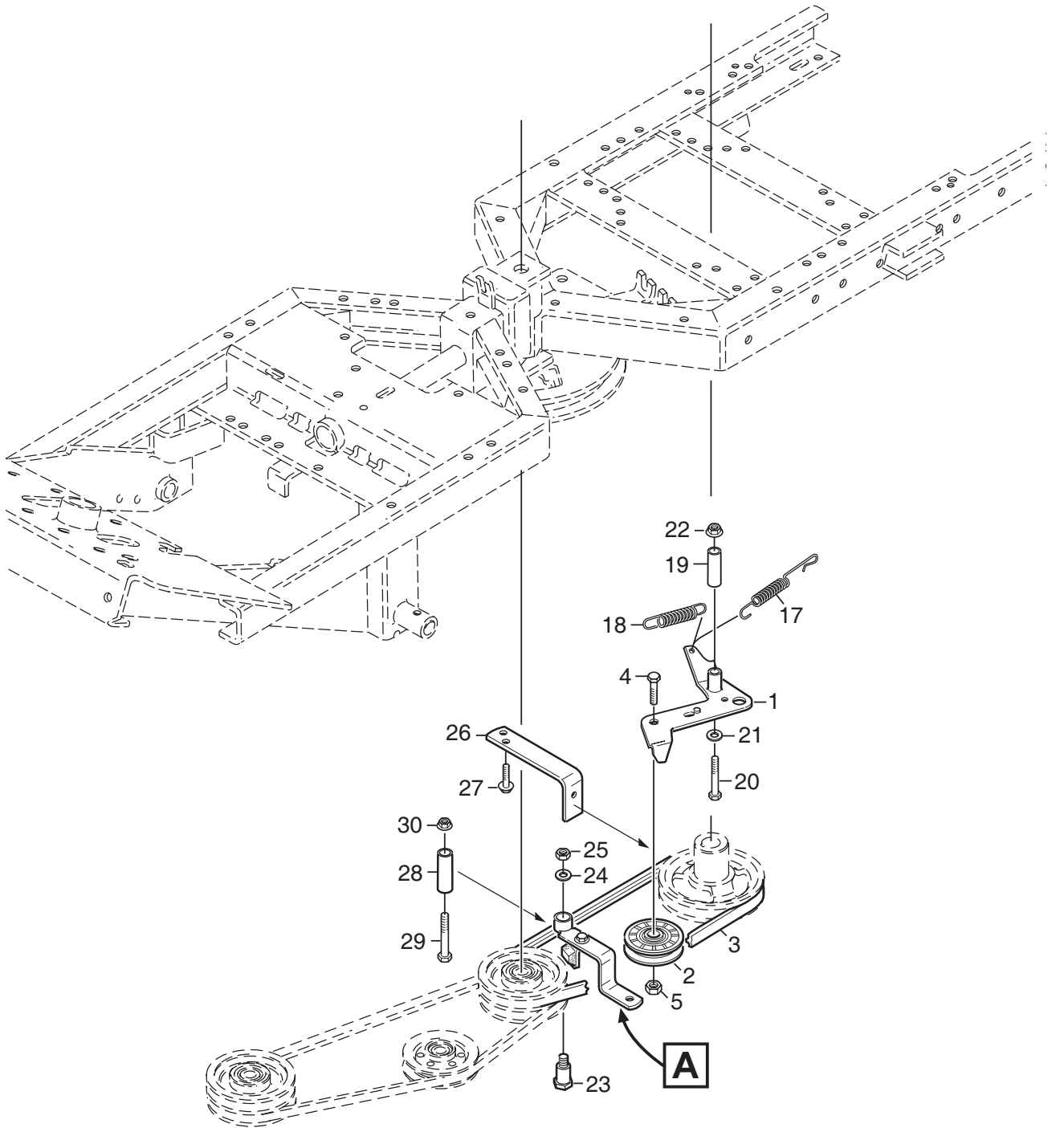
X



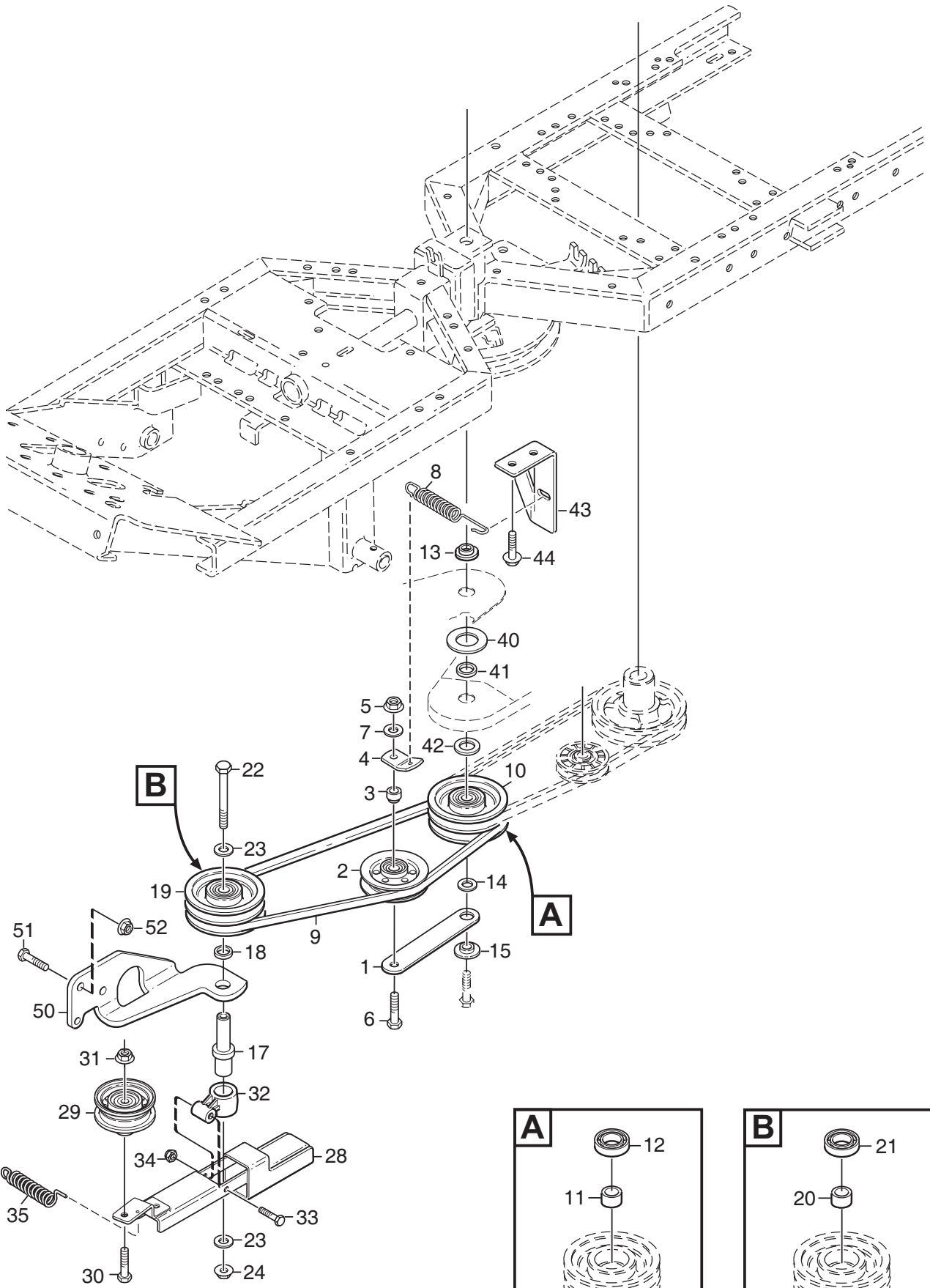
Utgåva Issue		Bildnr Picture No		PARK COMPACT 2WD HJUL		PARK COMPACT 2WD WHEELS		Sida Page	
2011- 11		1346E						26	
Pos. Fig.	Antal/Quantity			Art nr Part No	Benämning	Description	Sats Kit	Anmärkning Notes	
	6102	6103							
X	1	2	2	1134-0075-00	Framaxeltapp	Front axle			
	2	2	2	9595-0258-00	Spännstift	Locating pin			
	3	2	2	1134-4844-05	Hjulnav kpl.....	Wheel hub assy.....			
	3A	1	1	9501-0500-00	• Smörjnippel	• Grease joint.....			
	4	1	1	1134-9026-01	• Lagerbussning.....	• Bearing bush kit		Sats 4 st/kit of 4	
	5		2	1134-4558-01	Fälg.....	Rim			
	5	2		1134-5255-01	Fälg.....	Rim			
	6		2	9545-0116-00	Däck	Tyre		16 x 7.50 - 8	
	6	2		9545-0126-01	Däck	Tyre		16 x 6.00 - 8	
	7	2	2	9545-0500-00	Ventil	Valve			
	8	6	6	9731-1031-22	Mutter.....	Nut			
	10	4	4	1134-0341-01	Bricka	Washer.....		20,5 x 36 x 1,5 mm	
	11	2	2	9599-0080-02	• Saxsprint	• Cotter pin			
	12	2	2	1134-4844-02	Hjulnav	Wheel hub			
	13		2	1134-4558-01	Fälg.....	Rim			
	13	2		1134-5255-01	Fälg.....	Rim			
	14		2	9545-0116-00	Däck	Tyre		16 x 7.50 - 8	
	14	2		9545-0126-01	Däck	Tyre		16 x 6.00 - 8	
	15	2	2	9545-0500-00	Ventil	Valve			
	16	6	6	9731-1031-22	Mutter.....	Nut			
	18	2	2	1134-4796-01	Navkapsel	Hub cap.....			
	19	2	2	9947-0540-19	Skruv	Screw.....			
	20	2	2	1134-2471-01	Kil	Key		L = 58 mm	
	21	2	2	1134-0341-01	Bricka	Washer.....		20,5 x 36 x 1,5 mm	
	22	2	2	9653-0001-04	Spårryttare	Lock ring.....			
	26	2	2	9699-0042-02	• Planbricka.....	• Flat washer.....		20 x 36 x 3,0 mm	
	45	1	1	13-0992-61	Snabbfäste kpl.....	Quick connections.....		Inkl. pos 11,26,46-51	
	46	1	1	1134-7465-01	• Fästen kpl, vä+hö.....	• Attachment kit, LH+RH.....		Inkl. pos 50-51	
47	2	2	1137-0077-01	• Låssprint.....	• Locking pin				
48	2	2	9548-0026-01	• Glidlager	• Bearing.....				
50	2	2	9898-1035-16	• Skruv	• Screw				
51	2	2	9739-1031-22	• Mutter	• Nut				
99			9545-0203-00	Innerslang	Inner tube		Reservdel/spare part		



Utgåva Issue		Bildnr Picture No		PARK COMPACT 2WD KRAFTUTTAG		PARK COMPACT 2WD POWER TAKE- OFF		Sida Page		
2011- 11		1030H						28		
Pos. Fig.	Antal/Quantity				Art nr Part No	Benämning	Description	Sats Kit	Anmärkning Notes	
	6102 6103 -21									
X	1	1			1134-5548-01	Distans	Spacer		Inkl. pos 3A- 3B	
	2	1			1134-5109-01	Spännhjularm	Tension wheel arm			
	3	1			1137-0128-01	Spännrulle kpl.....	Tension roller assy			
	3A	1			9549-0019-00	• Kullager	• Ball bearing			
	3B	1			9651-0040-04	• Låsring	• Retaining ring.....			
	4	1			1134-1888-04	Distans	Spacer			
	5	1			1134-5111-01	Fjäder.....	Spring			
	6	1			9699-0056-02	Planbricka.....	Flat washer.....			
	7	1			9739-0831-22	Mutter.....	Nut			
	8	1			9997-0855-12	Skruv.....	Screw.....			
	10	1			1137-0004-01	Centrumremskiva kpl.....	Centre pulley assy			Inkl. pos 11-12
	11	1			1134-0051-09	• Distans	• Spacer.....			
	12	2			9549-0019-00	• Kullager	• Ball bearing			
	13	1			1134-5112-01	Fjäderfäste.....	Spring attachment.....			
	14	2			9945-0816-16	Skruv.....	Screw.....			
	15	1			1134-5110-01	Hake	Hook			
	16	2			9893-0616-16	Skruv.....	Screw.....			
	18	1			1134-2018-02	Spännarm.....	Tension arm			
	19	1			1134-9027-02	Spännrulle- grå	Tension roller- grey			
	20	1			1134-9071-01	Drivrem	V- belt.....		= 9585-0129-01	
	21	1			9997-1030-16	Skruv.....	Screw.....			
	22	1			9799-1031-02	Mutter.....	Nut			
	23	1			1134-4111-01	Bromsarm	Brake arm			
	24	1			1134-4164-03	Bromsklots	Brake pad			
	25	1			9897-0825-16	Skruv.....	Screw.....			
	26	1			9747-0831-02	Mutter.....	Lock nut			
	27	1			1134-4162-01	Bromsstång	Brake rod			
	28	1			9675-0008-02	Starlock	Locking washer			
	29	1			1134-4170-01	Nippel	Nipple.....			
	30	1			9699-0025-02	Planbricka.....	Washer.....			
	31	1			9747-0631-02	Låsmutter	Lock nut			
	32	1			4231-0013-00	Fjäder.....	Spring			
	33	1			1134-4231-01	Dragfjäder.....	Spring			
	34	1			1134-1565-10	Distans	Spacer			
	35	1			9997-0860-12	Skruv.....	Screw.....			
	36	1			9699-0056-02	Planbricka.....	Flat washer.....			
	37	1			9739-0831-22	Mutter.....	Nut			
	38	1			1134-4163-01	Ansätsskruv.....	Shoulder bolt			
	39	1			9731-1031-22	Mutter.....	Nut			
	40	1			1134-3958-01	Remstyrning.....	Belt guide			
	41	2			9893-0616-16	Skruv.....	Screw.....			
	42	1			1134-0041-03	Hylsa	Collar			
	43	1			9997-1070-12	Skruv.....	Screw.....			
	44	1			9739-1031-22	Mutter.....	Nut			
	45	1			1134-3654-01	Fingerskydd	Finger guard.....			
	46	2			9959-0612-16	Skruv.....	Screw.....			
	47	2			9739-0631-22	Mutter.....	Nut			
	48	1			9699-0090-02	Planbricka.....	Flat washer.....			
	49	2			9699-0035-02	Planbricka.....	Flat washer.....			



Utgåva Issue 2011-11		Bildnr Picture No 2817		PARK COMPACT 2WD KRAFTUTTAG 1 (Frankrike)		PARK COMPACT 2WD POWER TAKE-OFF 1 (France)		Sida Page 30	
Pos. Fig.	Antal/Quantity				Art nr Part No	Benämning	Description	Sats Kit	Anmärkning Notes
	6102 6103 -31								
	1				1134-2018-02	Spännarm	Tension arm		
	2				1134-9027-02	Spännrulle- grå	Tension roller- grey		
	3				1134-9071-01	Drivrem	V- belt		
	4				9997-1030-16	Skruv	Screw		= 9585-0129-01
	5				9799-1031-02	Mutter	Nut		
X	6				1134-4162-02	Bromsstång	Brake rod		
	7				9675-0008-02	Starlock	Locking washer		
	8				1134-4170-01	Nippel	Nipple		
	9				1134-4111-01	Bromsarm	Brake arm		
X	10				1137-0389-01	Bromsklots	Brake pad		
	11				9699-0035-02	Planbricka	Flat washer		
	12				9897-0825-16	Skruv	Screw		
	13				9747-0831-02	Mutter	Lock nut		
	14				9699-0090-02	Planbricka	Flat washer		
	15				9699-0025-02	Planbricka	Washer		
	16				9747-0631-02	Låsmutter	Lock nut		
	17				4231-0013-00	Fjäder	Spring		
	18				1134-4231-01	Dragfjäder	Spring		
	19				1134-1565-10	Distans	Spacer		
	20				9997-0860-12	Skruv	Screw		
	21				9699-0056-02	Planbricka	Flat washer		
	22				9739-0831-22	Mutter	Nut		
	23				1134-4163-01	Ansatsskruv	Shoulder bolt		
	24				9699-0035-02	Planbricka	Flat washer		
X	25				9731-1031-22	Mutter	Nut		
	26				1134-3958-02	Remstyrning	Belt guide		
	27				9893-0616-16	Skruv	Screw		
	28				1134-0041-03	Hylsa	Collar		
	29				9997-1070-12	Skruv	Screw		
	30				9739-1031-22	Mutter	Nut		



Utgåva Issue 2011-11		Bildnr Picture No 2818		PARK COMPACT 2WD KRAFTUTTAG 2 (Frankrike)		PARK COMPACT 2WD POWER TAKE-OFF 2 (France)		Sida Page 32	
Pos. Fig.	Antal/Quantity				Art nr Part No	Benämning	Description	Sats Kit	Anmärkning Notes
	6102 6103 -31								
	1				1134-1730-01	Spännhjulssarm	Tension wheel arm		
	2				1134-3663-01	Spännrulle	Tension wheel		
	3				1134-1888-05	Distans	Spacer		
	4				1134-1893-01	Fjäderfäste	Spring attachment		
	5				9739-1031-22	Mutter	Nut		
	6				9997-1060-12	Skruv	Screw		
	7				9699-0035-02	Planbricka	Flat washer		
	8				1134-5713-01	Dragfjäder	Spring		
	9				1134-9098-01	Drivrem	V-belt		
	10				1137-0004-01	Centrumremskiva kpl.	Centre pulley assy		= 9585-0148-01 Inkl. pos 11-12
	11				1134-0051-09	• Distans	• Spacer		
	12	2			9549-0019-00	• Kullager	• Ball bearing		
	13	1			1134-5548-01	Distans	Spacer		
	14	1			9699-0035-02	Planbricka	Flat washer		
	15	1			1134-0222-00	Bricka	Washer		
	17	1			1134-5663-01	Axel	Shaft		
	18	1			1134-0052-00	Lagerdistans	Bearing spacer		
	19	1			1137-0004-01	Centrumremskiva kpl.	Centre pulley assy		Inkl. pos 20-21
	20	1			1134-0051-09	• Distans	• Spacer		
	21	2			9549-0019-00	• Kullager	• Ball bearing		
	22	1			9997-1011-06	Skruv	Screw		
	23	2			9699-0030-02	Planbricka	Flat washer		
	24	1			9739-1031-22	Mutter	Nut		
X	28	1			1137-0386-01	Spännarm	Tension arm		
	29	1			1134-5823-01	Spännrulle	Tension roller		
	30	1			9997-1050-16	Skruv	Screw		
	31	1			9739-1031-22	Mutter	Nut		
	32	1			1134-6314-01	Spännarmsfäste	Attachment		
	33	1			9997-0645-12	Skruv	Screw		
	34	1			9747-0631-02	Låsmutter	Lock nut		
	35	1			1134-5824-01	Fjäder	Spring		
X	40	1			1137-0353-01	Bricka (plast)	Washer (plastic)		26x50x2
	41	1			1134-0052-00	Lagerdistans	Bearing spacer		17.1x25x5
	42	1			9699-0104-02	Bricka	Washer		17x30x3
X	43	1			1137-0419-01	Fjäderfäste	Bracket		
	44	2			9945-0816-16	Skruv	Screw		
X	50	1			1137-0395-01	Fäste	Bracket		
	51	2			9997-1020-16	Skruv	Screw		
	52	2			9739-1031-22	Mutter	Nut		