



Reservdelskatalog Parts Catalogue

Park Pro 740 IOX

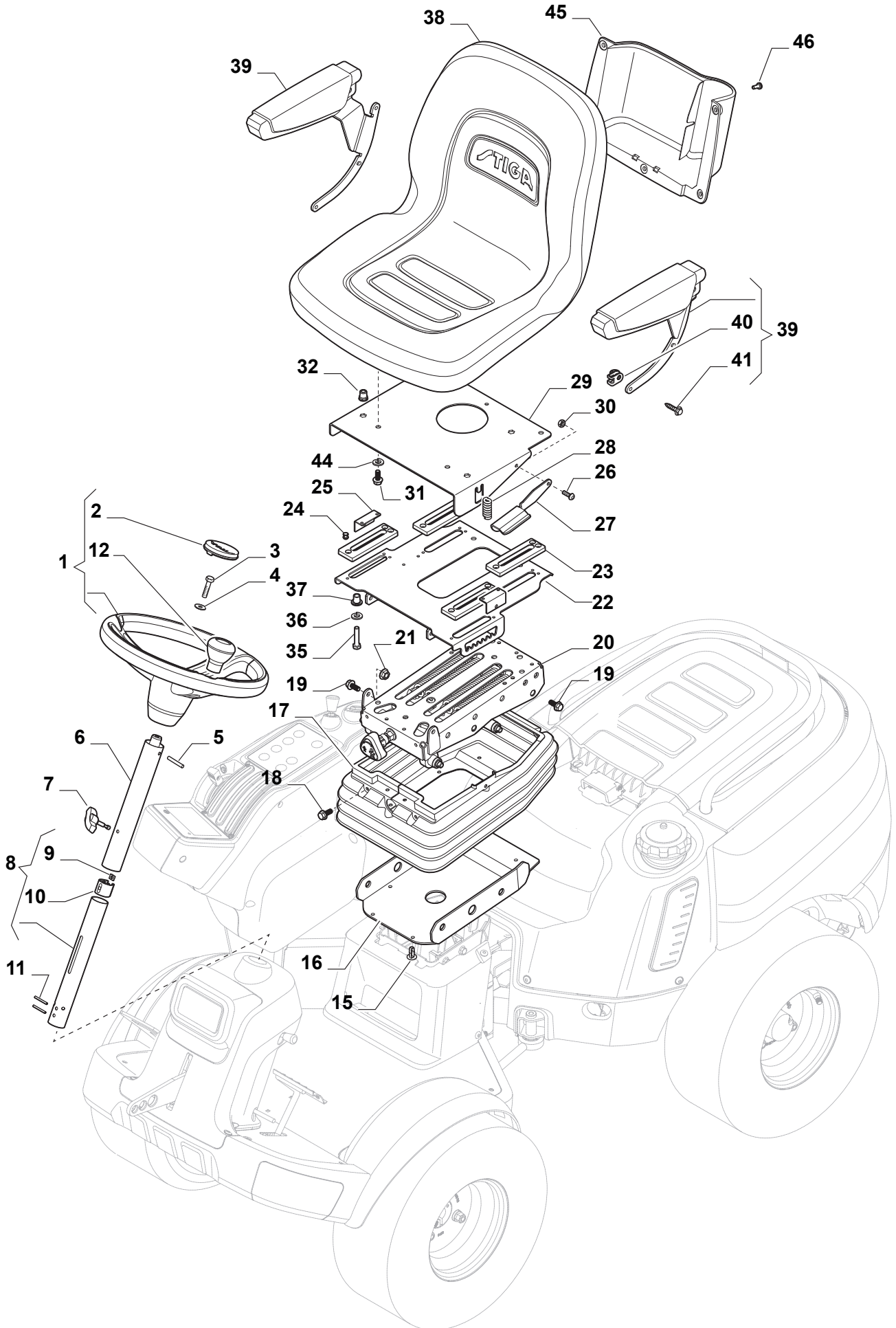
13-6491-11 - Season 2016

- Use GLOBAL GARDEN PRODUCT Genuine Spare Parts specified in the parts list for repair and/or replacement.
 - The contents described in the parts list may change due to improvement.
 - The drawings of the spare parts are only indicative and might not represent the part in question exactly.
 - The indications "right" - "left" - "front" - "rear" refer to the position of the operator when using the machine.
- When placing orders of parts for repair and/or replacement, make sure that the illustrated parts list is the one applying to the machine's year of manufacture, as shown on the identification plate attached to the machine.

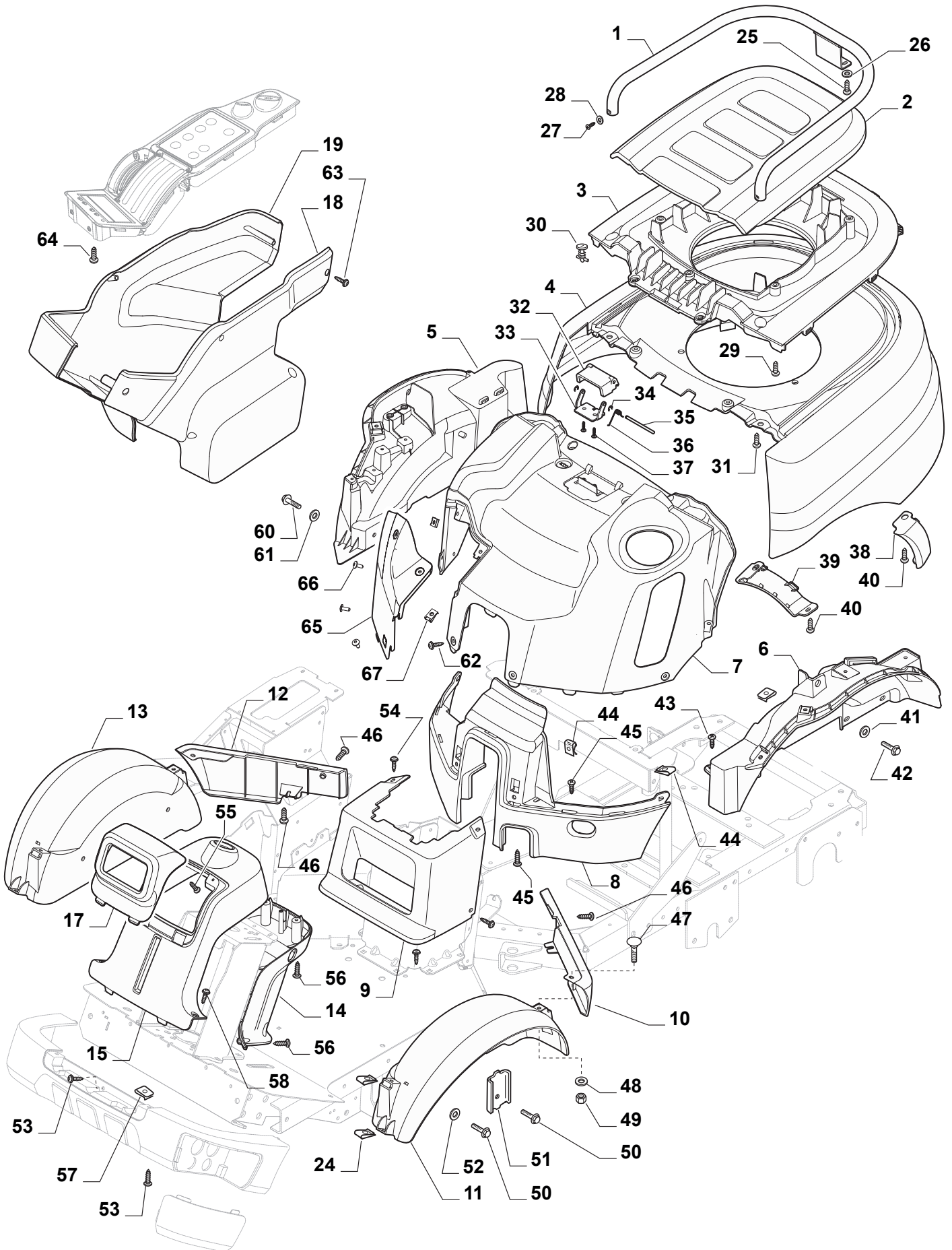
© Copyright 2016 Global Garden Products

All rights reserved. No part of this material may be reproduced or transmitted, in any form or by any means, electronic or mechanical, including photocopying, recording or by any information storage and retrieval system, without permission in writing from GLOBAL GARDEN PRODUCTS.

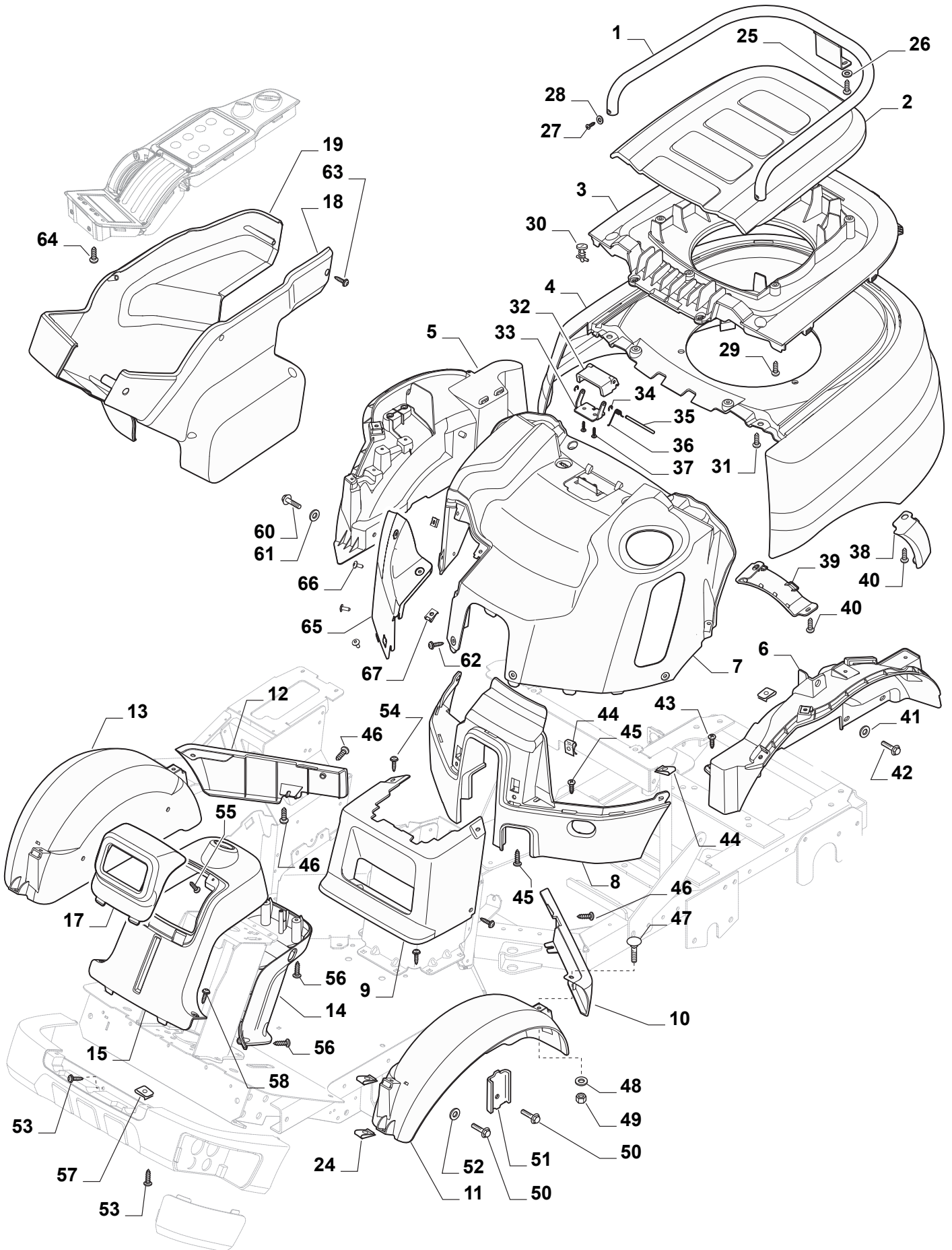
www.stiga.com



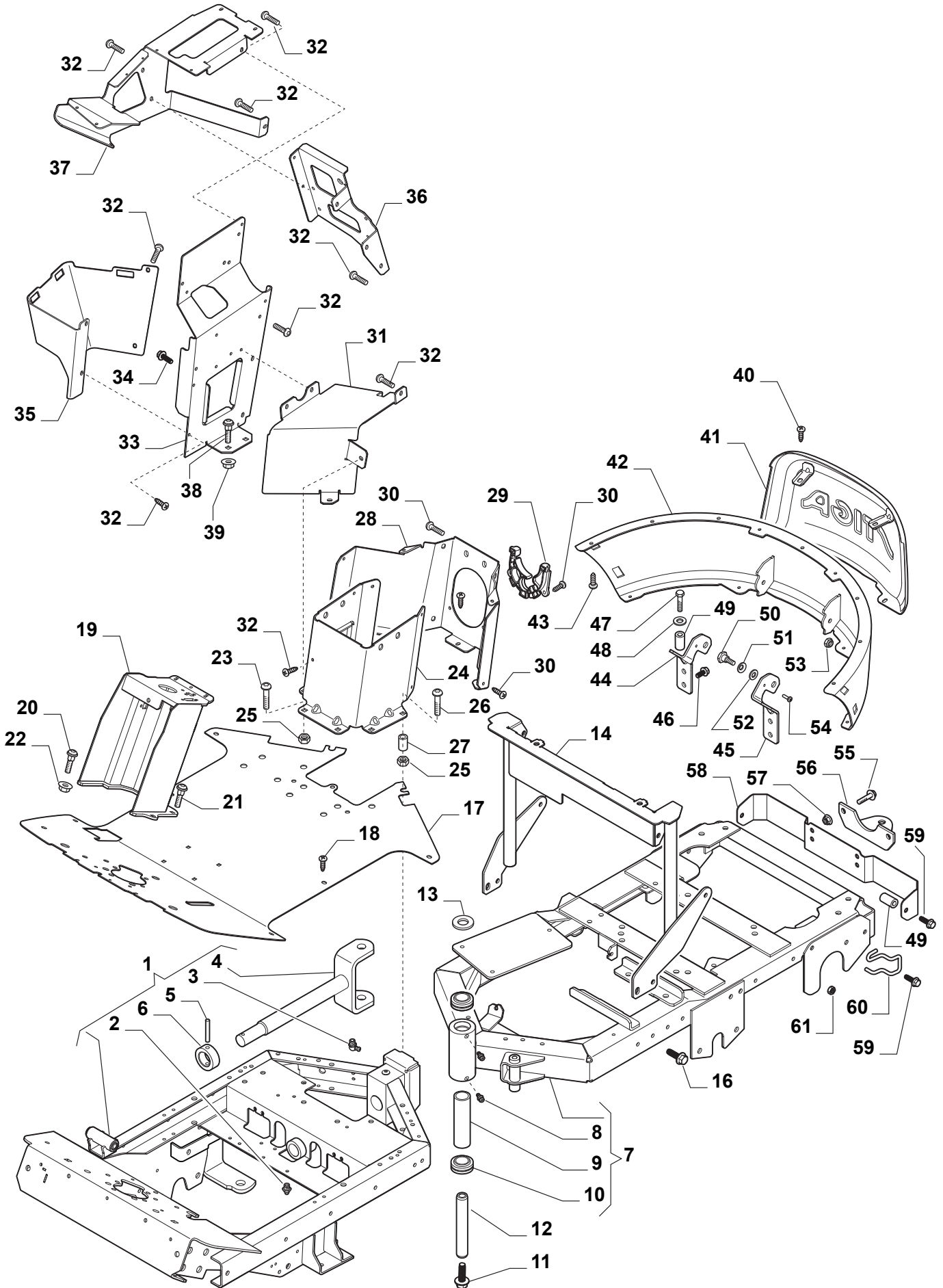
Utgåva Issue 7 - 2016		Sits och ratt Seat & Steering Wheel			
Pos. Fig.	Antal Q.ty	Art nr Part No	Benämning	Description	Anmärkning Notes
1	1	337961200/0	Ratt	Steering wheel	
2	1	337580550/0	Styrplåt Kpl	Steering Plate	
3	1	112793102/0	Skruv	Screw	
4	1	112583500/0	Lasbricka	Grower	
5	1	112620299/0	Spännstift	Elastic Pin	
6	1	387520101/1	Rattstång	Steering Column	
7	1	337394201/0	Vingmutter	Wing Nut	
8	1	387520105/1	Rattstång	Steering Column	
9	1	9710-0631-12	Lasmutter	Nut	
10	1	1134-5177-01	Slid	Slide	
11	2	9595-0262-00	Spännstift	Locating Pin	
12	1	187593701/0	Knopp	Knob	
15	8	118737220/0	Clips	Clip	
16	1	387785203/0	Fäste	Support	
17	1	337737500/0	Skydd	Protection	
18	6	9945-0816-16	Skruv	Screw	
19	4	9959-0820-16	Skruv	Screw	
20	1	387754201/0	Sitsfäste	Seat Support	
21	2	112154220/0	Mutter	Nut	
22	1	387547013/0	Sitsfäste	Seat Support	
23	4	337546531/0	Sits Platta	Seat Plate	
24	20	112500070/0	Nit	Rivet	
25	4	337546535/0	Plåt	Plate	
26	1	9893-0616-16	Skruv I Relä	Screw I Relay	
27	1	1134-6073-01	Handtag Kpl 5-01	Handle Assy	
28	1	1134-3262-01	Fjäder	Spring	
29	1	387547015/0	Överdel	Seat Plate	
30	1	112154510/0	Mutter	Nut	
31	4	112793102/0	Skruv	Screw	
32	4	112500094/0	Nit	Rivet	
33	4	112583500/0	Lasbricka	Grower	
35	4	112691115/0	Skruv	Screw	
36	4	112583500/0	Lasbricka	Grower	
37	4	137040602/0	Bussning	Bush	
38	1	137722603/0	Sits	Seat	
39	1	387185100/0	Armstöd Kpl	Arm Rests	
40	6	1139-0011-01	Mutter	Nut	
41	6	1139-0010-01	Skruv	Screw	
45	1	337592350/0	Förvaringsfack	Tray	
46	4	112727801/0	Skruv	Screw	



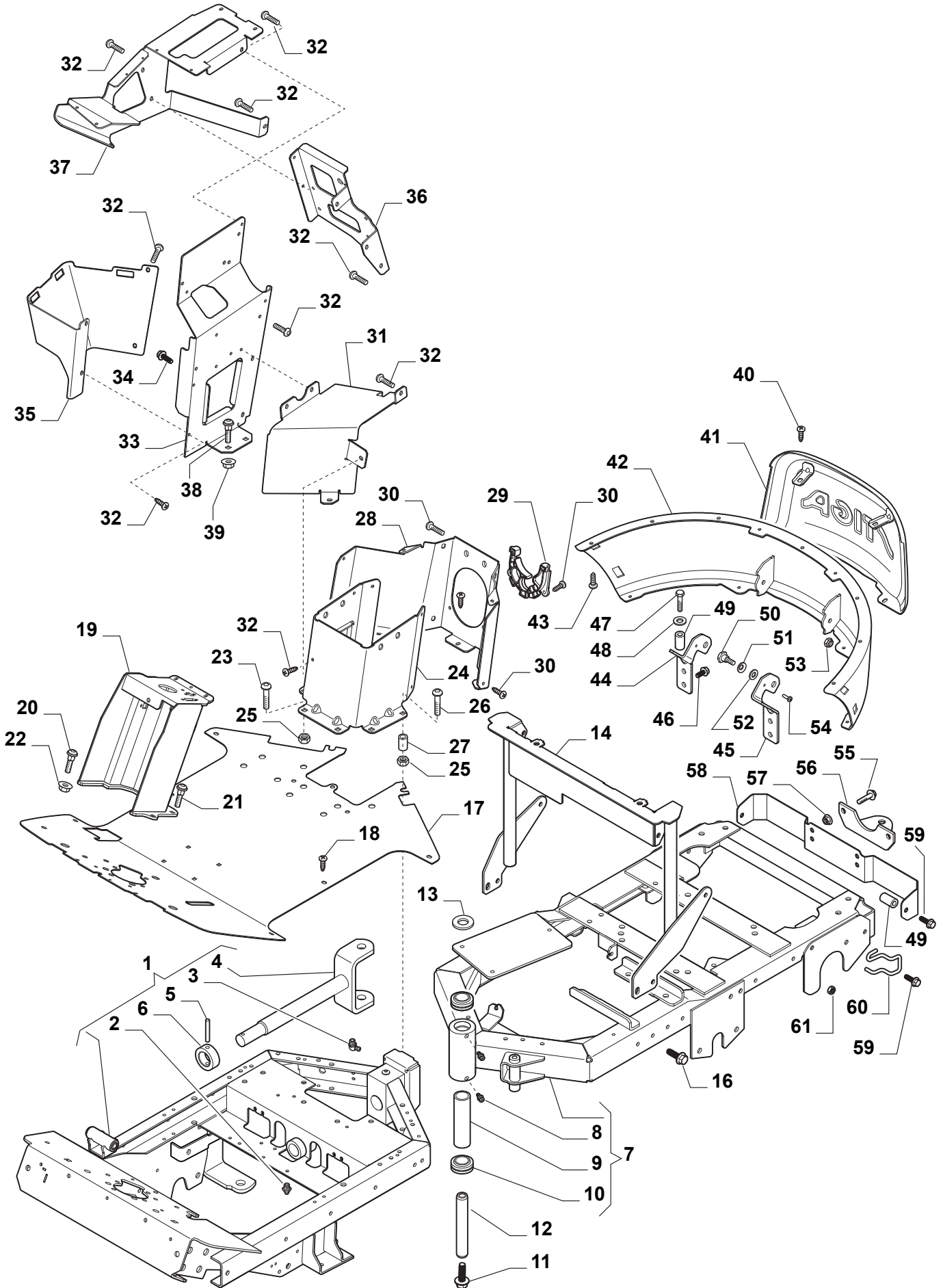
Utgåva Issue 7 - 2016		Kaross		Body	
Pos. Fig.	Antal Q.ty	Art nr Part No	Benämning	Description	Anmärkning Notes
1	1	387594001/0	Handtag	Handle	
2	1	337110302/0	Lucka (Grå)	Engine Cover (Grey)	
3	1	337110301/0	Lucka (Grå)	Engine Cover (Grey)	
4	1	337076801/0	Motorhuv Gul	Engine Cover, Yellow	
5	1	337110304/0	Höger Front. Skärm svart	Black Wheels Cover, Right	
6	1	337110305/0	VänsterFront. Skärm svart	Black Wheels Cover, Left	
7	1	337110328/0	Frontlucka Motorhuv	Engine Front Cover	
8	1	337502500/0	Spoiler Grå	Spoiler-Grey	
9	1	337207100/0	Kåpa	Cover	
10	1	337110311/0	Kantlist-Vä (Grå)	Moulding-Left (Grey)	
11	1	337491251/0	Framskärm-Vä	Mud Guard, Front-Lh	
12	1	337110312/0	Kantlist-Hö (Grå)	Moulding Right-Grey	
13	1	337491250/0	Framskärm-Hö	Mud Guard, Front-Rh	
14	1	337110307/0	Kåpa, grå bakre	Rear Cover, Grey	
15	1	337110306/0	Frontkåpa	Front panel	
17	1	337110308/0	Lamphållare	Lamp Holder	
18	1	337110310/0	Kåpa	Cover	
19	1	337110309/0	Kåpa	Cover	
24	5	9893-0616-16	Skruv Relä	Screw Relay	
25	2	112728699/0	Skruv	Screw	
26	2	112521460/0	Bricka	Washer	
27	2	9893-0616-16	Skruv Relä	Screw Relay	
28	2	112521460/0	Bricka	Washer	
29	5	112735402/0	Skruv	Screw	
30	2	125580020/2	Stift	Stake	
31	2	112728699/0	Skruv	Screw	
32	1	337394200/0	Handtag	Handle	
33	1	337785021/0	Stöd	Support	
34	2	112000915/0	Låsring	Benzing Ring	
35	1	137510300/0	Stift	Pin	
36	1	137430100/0	Fjäder	Spring	
37	2	112728698/0	Skruv	Screw	
38	1	337109532/0	Kåpa	Cover	
39	1	337109531/0	Kåpa	Cover	
40	2	9893-0616-16	Skruv Relä	Screw Relay	
41	4	112523060/0	Bricka	Washer	
42	4	9945-0816-16	Skruv	Screw	
43	1	9893-0616-16	Skruv Relä	Screw Relay	
44	6	1134-4176-01	Clips	Clips	
45	3	9893-0616-16	Skruv Relä	Screw Relay	
46	3	9893-0616-16	Skruv Relä	Screw Relay	
47	2	112815200/0	Skruv	Screw	
48	2	9699-0060-02	Bricka	Washer	
49	2	112154510/0	Mutter	Nut	
50	6	9945-0816-16	Skruv	Screw	
51	2	1137-0088-01	Stödplat	Support Plate	
52	4	112523060/0	Bricka	Washer	
53	5	9893-0616-16	Skruv Relä	Screw Relay	
54	4	1134-4176-01	Clips	Clips	



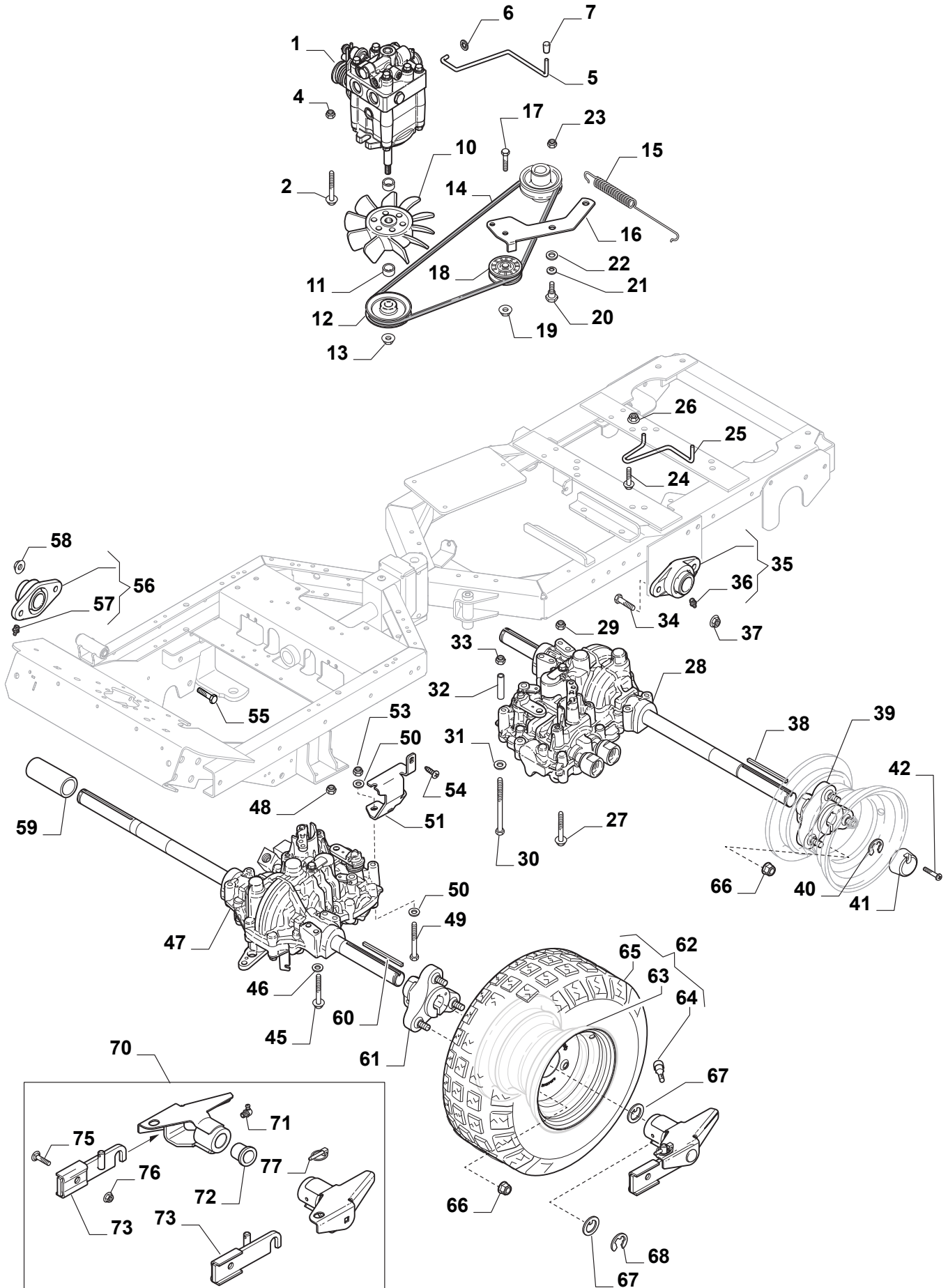
Utgåva Issue 7 - 2016		Kaross Body			
Pos. Fig.	Antal Q.ty	Art nr Part No	Benämning	Description	Anmärkning Notes
55	2	112728698/0	Skruv	Screw	
56	4	9943-0516-16	Skruv	Screw	
57	2	1134-4176-01	Clips	Clips	
58	2	9893-0616-16	Skruv Relä	Screw Relay	
60	4	9945-0816-16	Skruv	Screw	
61	4	112523060/0	Bricka	Washer	
62	8	9893-0616-16	Skruv Relä	Screw Relay	
63	6	112727796/0	Skruv	Screw	
64	5	112728698/0	Skruv	Screw	
65	1	337487520/0	Cover	Cover	
66	3	9893-0616-16	Skruv Relä	Screw Relay	
67	3	1134-4176-01	Clips	Clips	



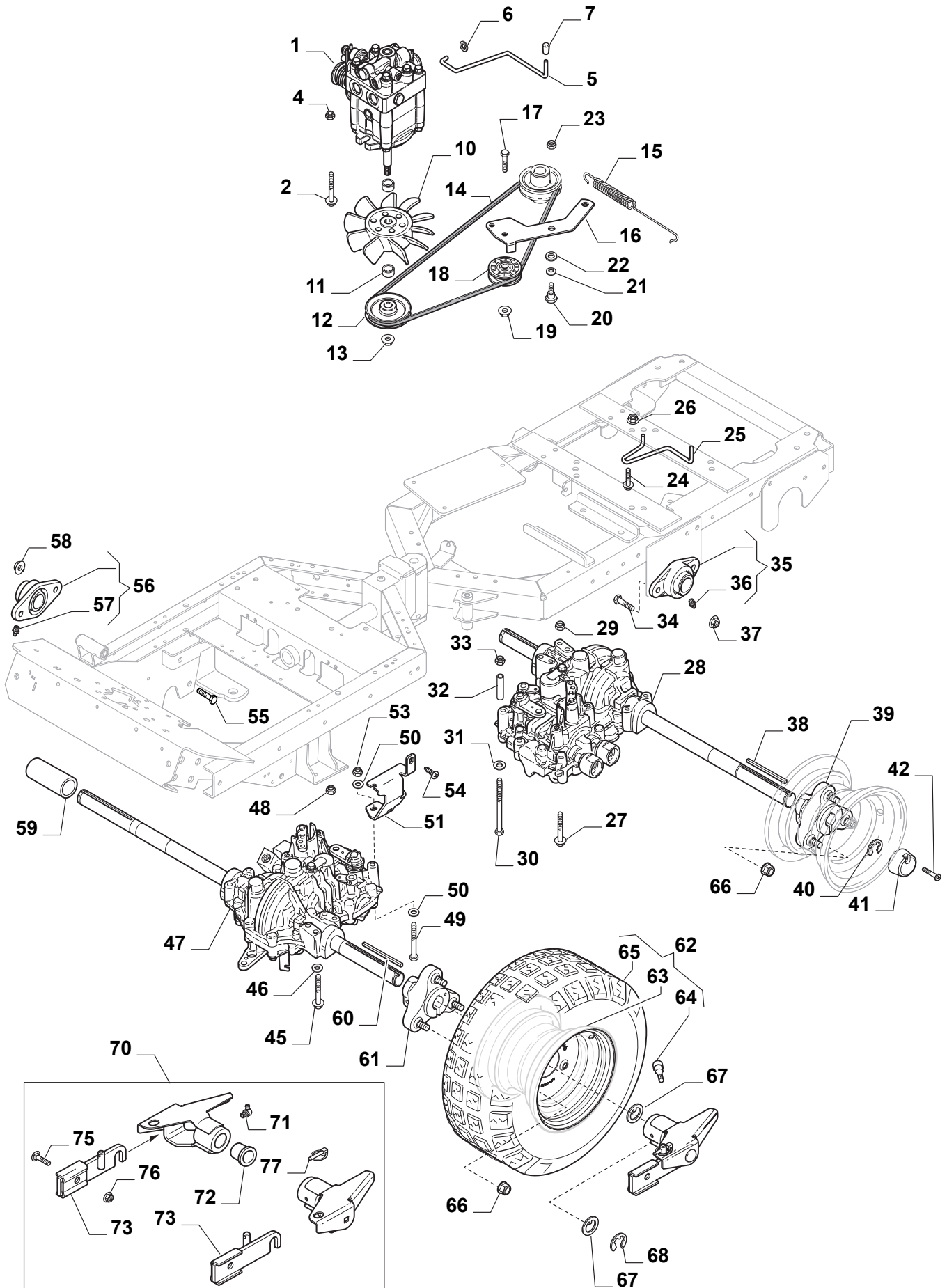
Utgåva Issue 7 - 2016		Ram	Frame		
Pos. Fig.	Antal Q.ty	Art nr Part No	Benämning	Description	Anmärkning Notes
4	1	387130001/0	Clevis	Clevis	
17	1	387507501/1	Fotsteg	Footboard	
1	1	387800003/0	Ram-Fram	Frame-Front	
2	1	112379511/0	Smörjnippel	Grease Dispenser	
3	1	9501-0504-01	Smörjnippel	Grease Nipple M6 90	
5	1	9595-0262-00	Spännstift	Locating Pin	
6	1	1134-0031-00	Ledaxelstopp	Pivot Shaft Stop	
7	1	387800005/0	Ram bakre	Frame Assy-Rear	
8	2	112379511/0	Smörjnippel	Grease Dispenser	
9	1	1134-5705-01	Distans	Spacer	
10	2	9547-0001-00	Ledlager	Bearing	
11	2	9959-1025-16	Skruv	Screw	
12	1	1134-5988-01	Centrumaxel	Centre Shaft	
13	1	9699-0035-02	Bricka	Washer	
14	1	387800001/0	Tankfäste	Tank Support	
16	4	9945-0816-16	Skruv	Screw	
18	4	9893-0616-16	Skruv Relä	Screw Relay	
19	1	387785201/0	Rättrörsfäste	Steering Column Support	
20	4	112818700/0	Skruv	Screw	
21	1	112760610/0	Skruv	Screw	
22	5	112154210/0	Mutter	Nut	
23	4	9897-0820-16	Skruv	Screw	
24	1	387547011/0	Fäste	Plate	
25	6	112155000/0	Mutter	Nut	
26	2	9897-0880-12	Skruv	Screw	
27	2	1134-1565-08	Distans	Spacer	
28	1	387547009/0	Fäste	Plate	
29	1	337085501/0	Slanghållare	Tube Collector	
30	10	9893-0616-16	Skruv Relä	Screw Relay	
31	1	387547007/0	Fäste	Plate	
32	18	9893-0616-16	Skruv Relä	Screw Relay	
33	1	387547001/0	Plåt	Plate	
34	4	112735402/0	Skruv	Screw	
35	1	387057500/0	Fäste	Plate	
36	1	387547003/0	Fäste	Plate	
37	1	387547005/0	Fäste	Plate	
38	2	9897-0820-16	Skruv	Screw	
39	2	112155000/0	Mutter	Nut	
40	4	9893-0616-16	Skruv Relä	Screw Relay	
41	1	387559001/0	Platta	Plate	
42	1	387457001/0	Stötfångare	Bumper	
43	7	112728699/0	Skruv	Screw	
44	1	387547017/0	Fäste	Right Upper Bracket	
45	1	387547019/0	Fäste	Left Bracket Support	
46	4	9945-0816-16	Skruv	Screw	
47	2	9945-0825-16	Skruv	Screw	
48	2	122671651/0	Bricka	Washer	
49	3	1134-1565-09	Distans	Spacer	
50	2	1134-0240-00	Skruv	Screw	



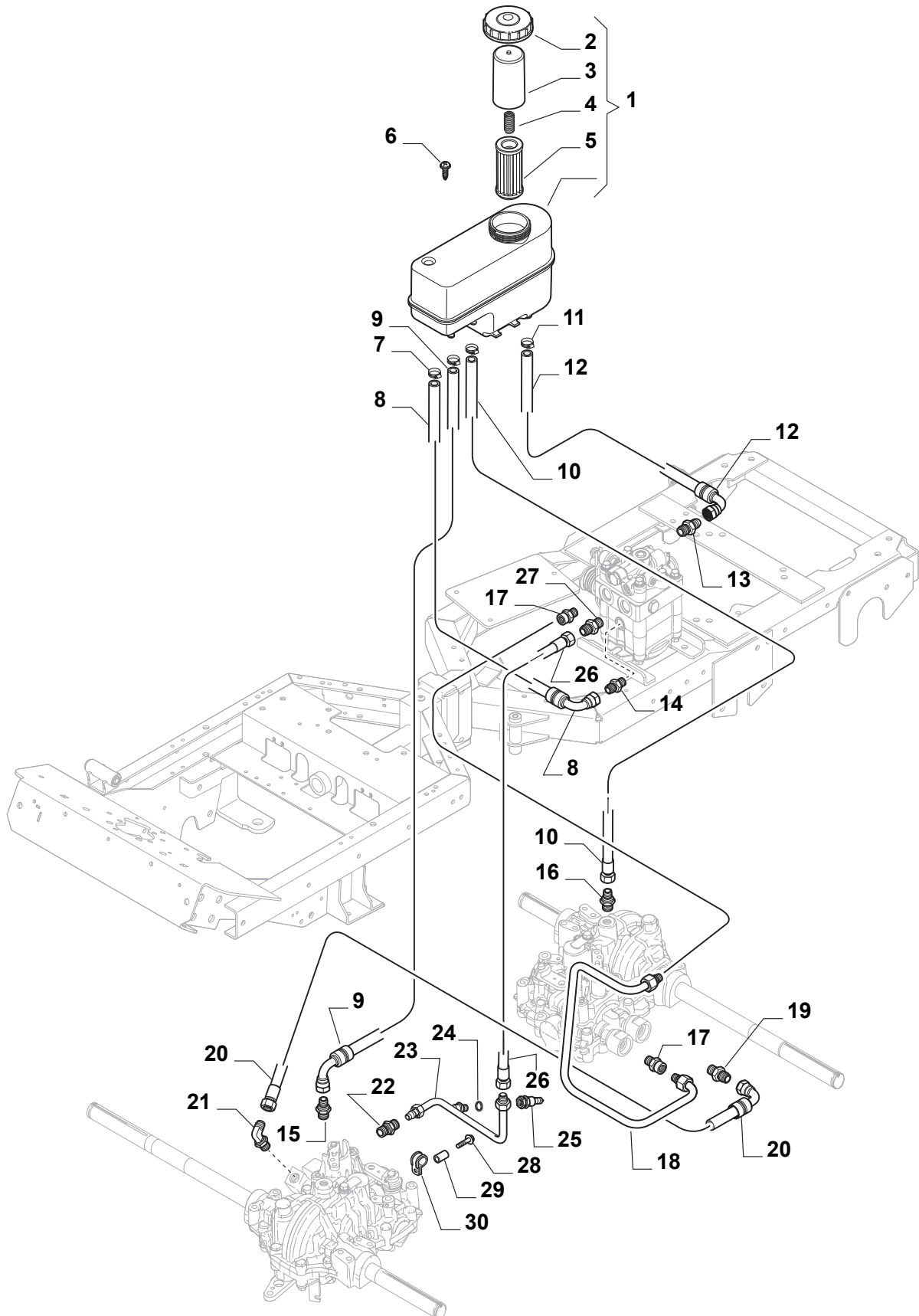
Utgåva Issue 7 - 2016		Ram Frame			
Pos. Fig.	Antal Q.ty	Art nr Part No	Benämning	Description	Anmärkning Notes
51	2	9665-0002-00	Bricka	Washer	
52	2	1134-4242-01	Distansbricka	Washer	
53	2	112155000/0	Mutter	Nut	
54	2	9943-0516-16	Skruv	Screw	
55	2	9959-0820-16	Skruv	Screw	
56	1	1134-5512-01	Dragplat5-01	Towing Plate	
57	2	112154220/0	Mutter	Nut	
58	1	387602503/0	Skydd	Protection	
59	3	9945-0825-16	Skruv	Screw	
60	1	387602501/0	Ljuddämparskydd	Muffler Guard	
61	1	112155015/0	Mutter	Nut	



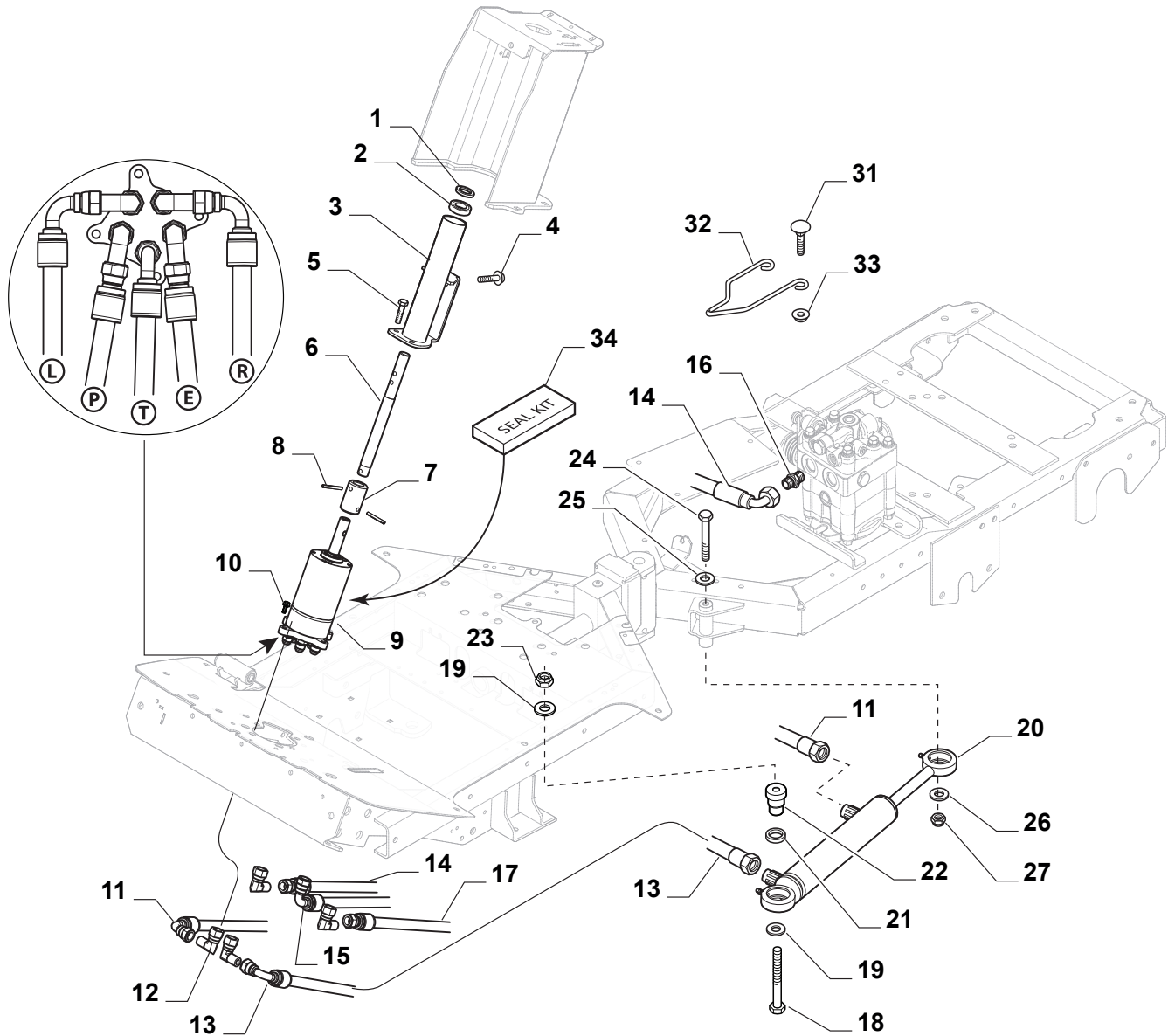
Utgåva Issue 7 - 2016		Transmission (Mekaniska Delar)		Transmission (Mechanical Parts)	
Pos. Fig.	Antal Q.ty	Art nr Part No	Benämning	Description	Anmärkning Notes
1	1	118475000/0	Hydraulpump	Hydraulic Pump	Kanzaki KPL-13ALP
2	2	9997-1040-16	Skruv	Screw	
4	2	9731-1031-22	Mutter	Nut	
5	1	1134-5763-01	Dragstang	Pull Rod	
6	2	112604896/0	Starlock P6493 6	Crown Fastener	
7	1	1134-4014-01	Plastknopp	Knob	
10	1	1134-4190-01	Fläkt	Fan	
11	2	1134-5862-01	Distans	Spacer	
12	1	1134-5821-01	Remskiva	Belt Pulley	
13	1	9731-1031-22	Mutter	Nut	
14	1	1134-9058-01	Kilrem	V-Belt	Contain belt 9585-0091-01
15	1	1134-5713-02	Fjäder	Spring	
16	1	1134-5739-01	Spännarm Kpl 5-01	Tension Arm Assy	
17	1	112794300/0	Skruv	Screw	
18	1	1134-3459-01	Spännrulle	Tension Roller	
19	1	9739-1031-22	Mutter	Nut	
20	1	1134-0240-00	Skruv	Screw	
21	1	9665-0002-00	Bricka	Washer	
22	1	1134-4242-01	Distansbricka	Washer	
23	1	112155000/0	Mutter	Nut	
24	1	9959-0820-16	Skruv	Screw	
25	1	1134-5764-01	Remstyrning	Belt Guide	
26	1	112154220/0	Mutter	Nut	
27	2	9960-0860-12	Skruv	Screw	
28	1	1134-5701-01	Motoraxel-Bakre (Ktm10G)	Rear Motor Unit (Ktm10G)	Kanzaki KTM 10G
29	2	112155000/0	Mutter	Nut	
30	1	9997-0812-02	Skruv	Screw	
31	1	9699-0090-02	Bricka Bricka	Washer Washer	
32	1	1134-1565-15	Distans	Spacer	
33	1	112155000/0	Mutter	Nut	
34	2	9997-1040-16	Skruv	Screw	
35	1	1134-5703-01	Flänslagerenhet	Flange Bearing Unit	
36	2	112379511/0	Smörjnippel	Grease Dispenser	
37	2	9731-1031-22	Mutter	Nut	
38	2	1134-3383-02	Kil	Key	
39	2	1134-4844-03	Hjulnav Kpl	Wheel Hub Assy	
40	2	9653-0002-04	Sparyttare	Lock Ring	
41	2	1134-4796-01	Navkapsel	Hub Cap	
42	2	9947-0540-19	Skruv	Screw	
45	2	112691900/0	Skruv	Screw	
46	2	9699-0090-02	Bricka Bricka	Washer Washer	
47	1	1134-5702-01	Motoraxel-Främre (Ktm10F)	Front Motor Unit (Ktm10F)	Kanzaki KTM 10F
48	2	112155000/0	Mutter	Nut	
49	1	9997-0880-16	Skruv	Screw	
50	2	9699-0090-02	Bricka Bricka	Washer Washer	
51	1	387785205/0	Motorfäste	Engine Support	
53	1	112155000/0	Mutter	Nut	
54	2	9945-0816-16	Skruv	Screw	



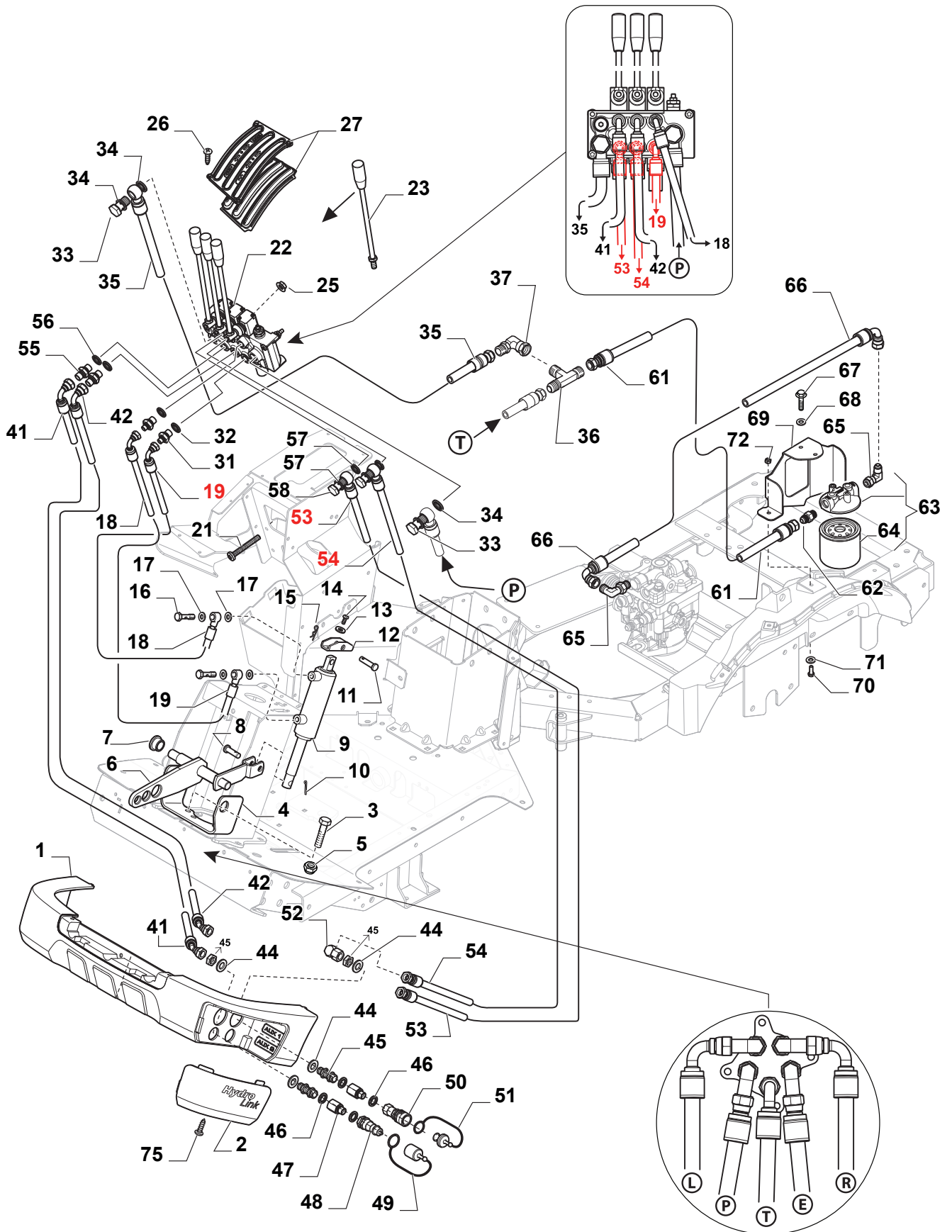
Utgåva Issue 7 - 2016		Transmission (Mekaniska Delar)		Transmission (Mechanical Parts)	
Pos. Fig.	Antal Q.ty	Art nr Part No	Benämning	Description	Anmärkning Notes
55	2	9997-1040-16	Skruv	Screw	
56	1	1134-5703-01	Flänslagerenhet	Flange Bearing Unit	
57	2	112379511/0	Smörjnippel	Grease Dispenser	
59	2	1137-1093-01	Distans	Spacer	
60	2	1134-3383-02	Kil	Key	
61	2	1134-4844-03	Hjulnav Kpl	Wheel Hub Assy	
62	4	387680309/0	Hjul kpl	Wheel assy	
63	4	187000454/0	Fälg	Rim	
64	4	9545-0500-00	Ventil	Valve Assy. I Valve	
65	4	9545-0124-01	Däck	Tyre	
66	12	9731-1031-22	Mutter	Nut	
67	4	1134-5797-01	Bricka	Washer	
68	2	9731-1031-22	Mutter	Nut	
68	2	9653-0002-04	Sparyttare	Lock Ring	
70	1	13-0993-61	Rac Snabbfäste 4Wd Park	Rac Quick Connection 4Wd	
71	2	9501-0502-00	Smörjnippel	Grease Joint	
72	4	1134-5686-01	Bussning	Bearing	
73	1	1134-7465-01	Sats-Fästen (Vä+Hö Inkl Skruv)	Attachment Kit	
75	2	9898-1035-16	Skruv	Screw	
76	2	9739-1031-22	Mutter	Nut	
77	2	1137-0077-01	Lassprint	Locking Pin	



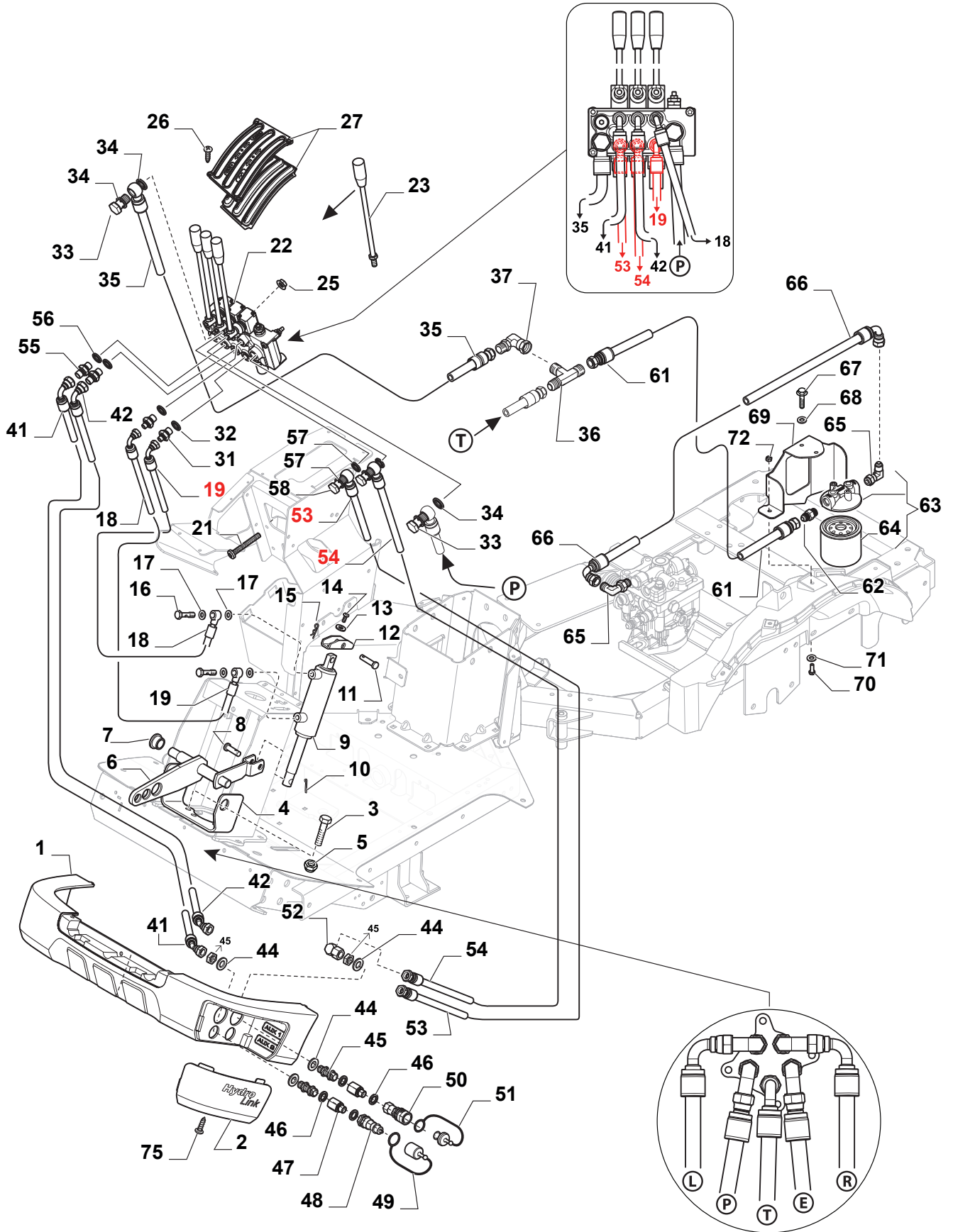
Utgåva Issue 7 - 2016		Transmission (Hydrauliska Delar)		Transmission (Hydraulic Parts)	
Pos. Fig.	Antal Q.ty	Art nr Part No	Benämning	Description	Anmärkning Notes
1	1	387735253/0	Oljetank	Oil Tank	
2	1	1137-0272-01	Tanklock	Tank Cap	
3	1	1134-5963-01	Hölje-Oljefilter	Cover-Oil Filter	
4	1	1134-5964-01	Fjäder	Spring	
5	1	118803490/0	Oljefilter	Oil Filter	
6	1	112728697/0	Skruv	Screw	
7	3	9578-0023-04	Slangklämma 15*8 (Vit)	Hose Clamp	
8	1	1137-0215-01	Hydraulslang	Hydraulic Hose	
9	1	1137-0215-02	Hydraulslang	Hydraulic Hose	
10	1	1137-0211-01	Hydraulslang	Hydraulic Hose	
11	1	9578-0023-05	Slangklämma 18,0/8	Hose Clamp	
12	1	1137-0220-01	Hydraulslang	Hydraulic Hose	
13	1	1134-5810-01	Adapter	Hydraulic Coupling	
14	1	1134-4282-01	Hydraulnippel	Hydraulic Nipple	
15	1	1134-5809-01	Adapter	Hydraulic Coupling	
16	1	1134-5809-01	Adapter	Hydraulic Coupling	
17	2	1134-5808-01	Skärringskoppling	Hydraulic Coupling	
18	1	387869500/0	Oljeslang	Oil Hose	
19	1	1134-5810-01	Adapter	Hydraulic Coupling	
20	1	387869512/0	Oljeslang	Oil Hose	
21	1	1134-5807-01	Vinkeladapter	Hydraulic Angle Coupling	
22	1	1134-5875-01	Skärringskoppling	Hydraulic Coupling	
23	1	1134-6039-01	Hydraulrör Smst	Hydraulic Pipe Assy	
24	1	1134-4948-01	Bricka	Washer	
25	1	1134-6042-01	Snabbkoppling-Hane 1/4"	Quick Coupling-Male	
26	1	387869513/0	Oljeslang	Oil Hose	
27	1	1134-5810-01	Adapter	Hydraulic Coupling	
28	1	9578-0028-01	Rörklammer	Tube Clamp	
29	1	9959-0825-16	Skruv	Screw	
30	1	1134-1565-09	Distans	Spacer	



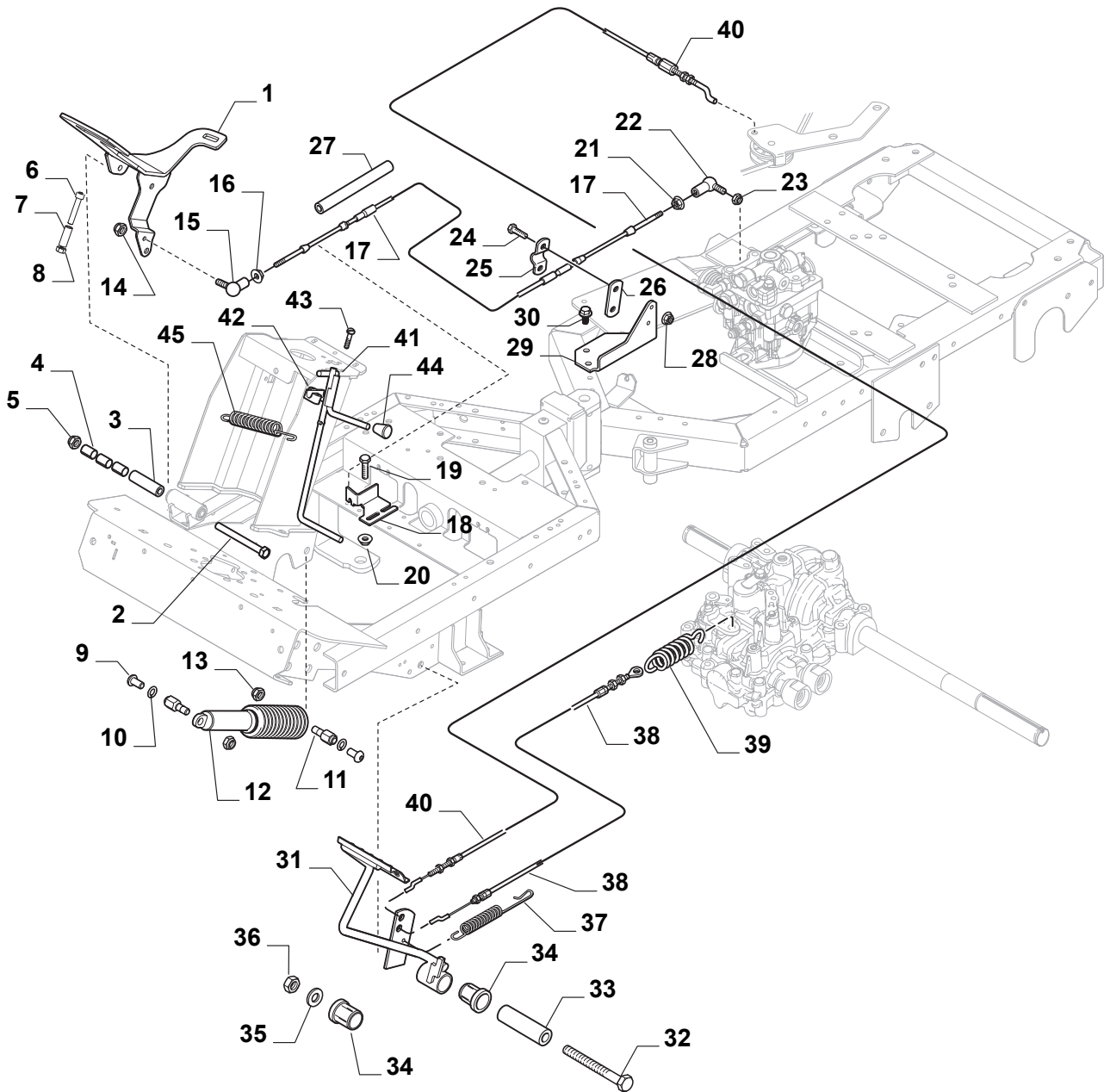
Utgåva Issue 7 - 2016		Styrning Steering			
Pos. Fig.	Antal Q.ty	Art nr Part No	Benämning	Description	Anmärkning Notes
25	1	112521350/0	Bricka	Washer	
33	2	112292102/0	Mutter	Nut	
34	1	1139-2081-01	Tätningssats	Seal Kit	
1	1	9695-0011-00	Bricka	Washer	
2	1	9549-0017-00	Kullager	Ball Bearing	
3	1	387650001/0	Förstärkning	Stiffening	
4	1	9945-0816-16	Skruv	Screw	
5	3	9939-0612-16	Skruv	Screw	
6	1	1137-0045-01	Rattstang	Steering Rod	
7	1	137040601/0	Distans	Spacer	
8	2	9595-0256-01	Spännstift 6X28 Typ N Iso 8750	Locating Pin	
9	1	187305500/0	Momentförstärkare	Steering Booster	
10	4	9959-0820-16	Skruv	Screw	
11	1	387869501/0	Oljeslang	Oil Hose	
12	4	112000401/0	Överfall	Tube Connection	
13	1	387869502/0	Oljeslang	Oil Hose	
14	1	387869507/0	Oljeslang	Oil Hose	
15	1	387869506/0	Oljeslang	Oil Hose	
16	1	1134-4282-01	Hydraulnippel	Hydraulic Nipple	
17	1	387869508/0	Oljeslang	Oil Hose	
18	1	112760572/0	Skruv	Screw	
19	2	112521360/0	Bricka	Washer	
20	1	187584000/0	Kolv	Piston	
21	1	1134-0052-00	Distans	Spacer	
22	1	137510301/0	Stift	Pin	
23	1	112156602/0	Mutter	Nut	
24	1	112692080/0	Skruv	Screw	
26	1	112524006/0	Bricka	Washer	
27	1	112155000/0	Mutter	Nut	
31	2	112815200/0	Skruv	Screw	
32	1	137295200/0	Bygel	Guide	



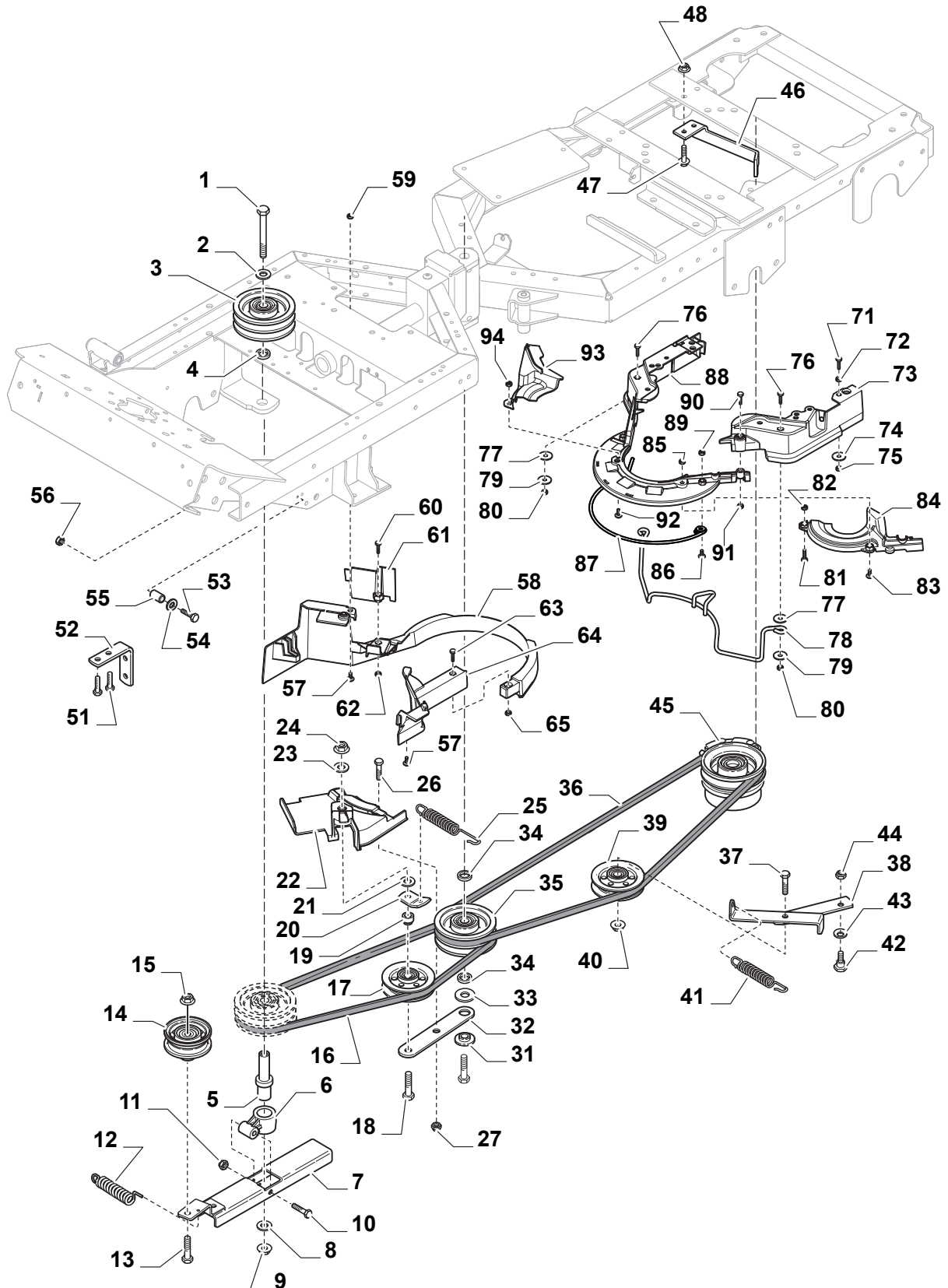
Utgåva Issue 7 - 2016		Hydraullyft	Hydraulic Lift		
Pos. Fig.	Antal Q.ty	Art nr Part No	Benämning	Description	Anmärkning Notes
22	1	187145000/1	Handspaksventil	Hand Operated Valve	Include pos. 23
50	2	1134-7172-01	Snabbkoppling-Hona 1/4"	Quick Connector-Female 1/4	
1	1	337502501/0	Stötfångare	Bumper	
2	1	337109530/0	Kåpa	Cover	
3	2	112794300/0	Skruv	Screw	
4	1	337774007/0	Uppsamlare Fulcrum Klämma	Fulcrum Clamp	
5	2	112156602/0	Mutter	Nut	
6	1	387256051/0	Lyftarm	Lift Lever	
7	2	1134-2684-01	Lager	Bearing	
8	1	1134-4817-01	Stift	Pin	
9	1	1137-0071-01	Hydraulcylinder	Hydraulic Cylinder	
10	1	9599-0054-02	SaxSprint	Split Pin	
11	1	1134-4816-01	Stift	Pin	
12	1	1134-4815-01	Cylinderfäste	Cylinder Bracket	
13	4	112521330/0	Bricka	Washer	
14	2	9893-0616-16	Skruv Relä	Screw Relay	
14	1	9598-0002-02	Spännstift	Elastic Pin	
16	2	1134-4826-01	Banjoskruv (R1/8")	Banjo Bolt	
17	4	1134-4947-01	Bricka	Washer	
18	1	1137-0193-01	Hydraulslang 90-Banjo 3/16"	Hydraulic Hose	
19	1	1137-0193-01	Hydraulslang 90-Banjo 3/16"	Hydraulic Hose	
21	3	112735669/0	Skruv	Screw	
23	3	187318253/0	Spak	Operating lever	
25	3	112292102/0	Mutter	Nut	
26	4	112728706/0	Skruv	Screw	
27	1	387559002/0	Platta	Plate	
31	2	1134-4824-01	Adapter	Adapter	
32	6	1134-4948-01	Bricka	Washer	
33	2	1134-6323-01	Banjoskruv 3/8"	Banjo Bolt 3/8	
34	4	1134-4948-02	Bricka	Washer	
35	1	387869509/0	Oljeslang	Oil Hose	
36	1	112375000/0	Överfall	Tube Connection	
37	1	112000401/0	Överfall	Tube Connection	
41	1	387869503/0	Oljeslang	Oil Hose	
42	1	387869503/0	Oljeslang	Oil Hose	
44	8	112522050/0	Bricka	Washer	
45	4	1134-7296-01	Skottgenomgang (1/4")	Hydraulic Coupling (1/4)	
46	8	1134-4948-01	Bricka	Washer	
47	4	112446500/0	Överfall	Tube Connection	
48	2	1134-6042-01	Snabbkoppling-Hane 1/4"	Quick Coupling-Male	
49	2	1134-7175-01	Dammskydd 1/4"	Plastic Cap	
51	2	1134-7173-01	Dammskydd 1/4"	Plastic Plug	
52	2	112000400/0	Överfall	Tube Connection	
53	1	387869504/0	Oljeslang	Oil Hose	
54	1	387869504/0	Oljeslang	Oil Hose	
55	2	112375001/0	Överfall	Tube Connection	
56	2	1134-4948-01	Bricka	Washer	
57	4	1134-4948-01	Bricka	Washer	
58	2	112320450/0	Mutter	Nut	



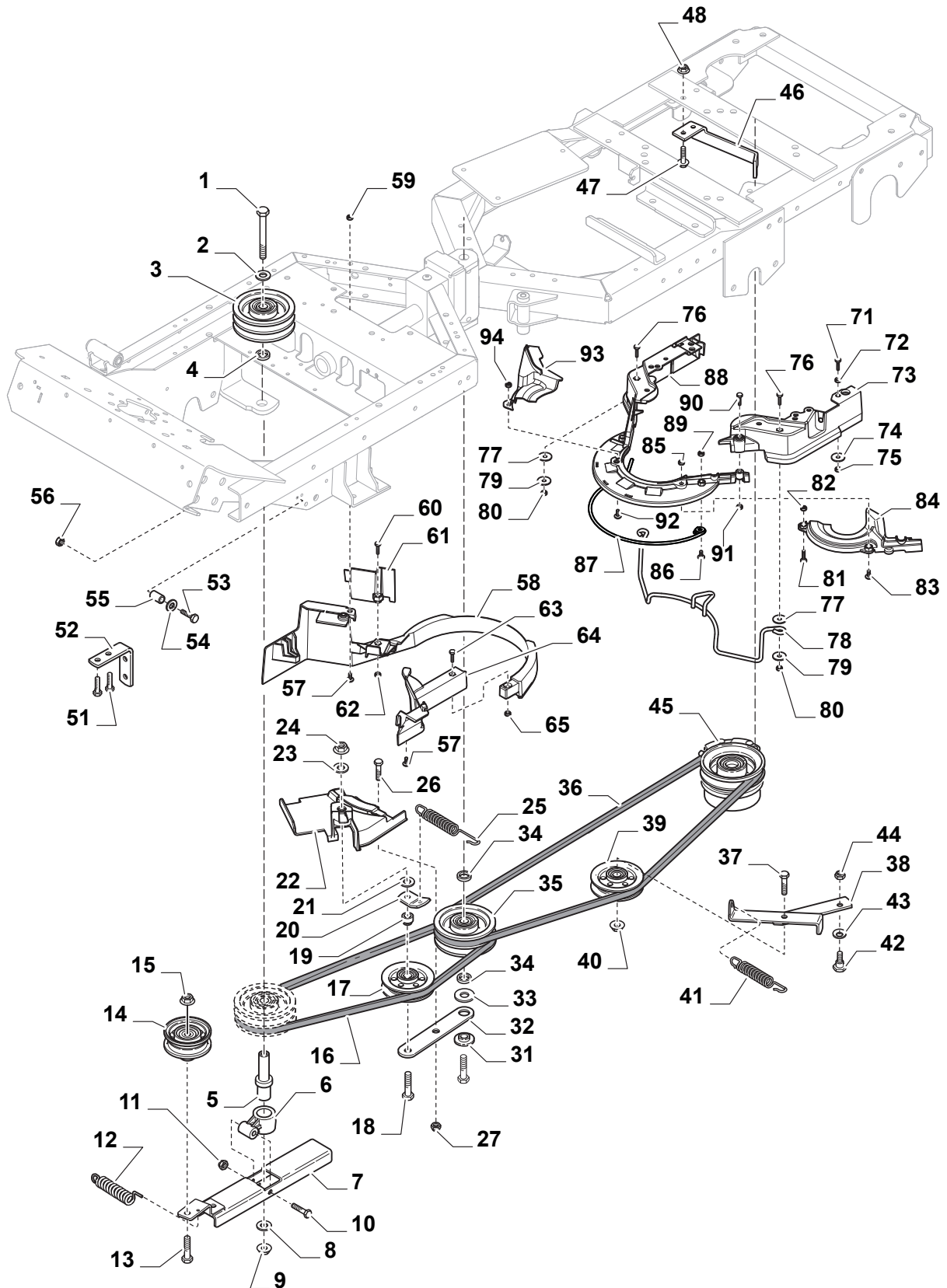
Utgåva Issue 7 - 2016		Hydraullyft Hydraulic Lift			
Pos. Fig.	Antal Q.ty	Art nr Part No	Benämning	Description	Anmärkning Notes
61	1	387869510/0	Överfall	Tube Connection	
62	1	1134-4282-01	Hydraulnippel	Hydraulic Nipple	
63	1	1134-4587-01	Hydraufilter Kpl	Hydraulic Filter Assy	Include pos. 64
64	1	1134-4109-01	Oljefilter	Oil Filter	
65	2	112000402/0	Vinkeladapter	Hydraulic Angle Coupling	
66	1	387869505/0	Oljeslang	Oil Hose	
67	2	9931-3516-16	Skruv	Screw	
68	4	112523040/0	Bricka	Washer	
69	1	337785011/0	Fäste	Support	
70	2	112791200/1	Skruv	Screw	
71	2	112523040/0	Bricka	Washer	
72	2	112154510/0	Mutter	Nut	
75	1	112735598/0	Skruv	Screw	



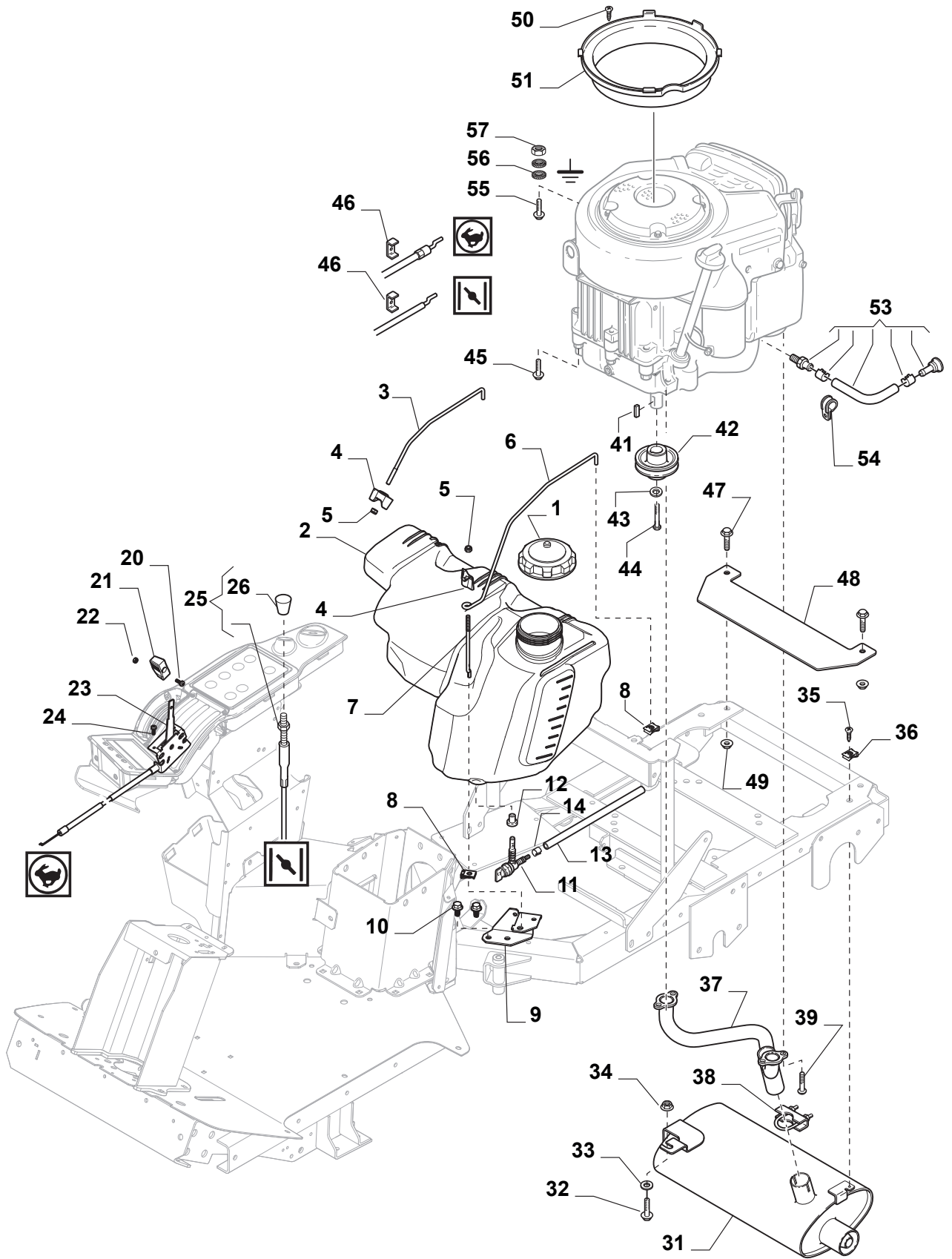
Utgåva Issue 7 - 2016		Fotreglage		Foot Controls	
Pos. Fig.	Antal Q.ty	Art nr Part No	Benämning	Description	Anmärkning Notes
1	1	387500001/1	Drivpedal	Drive Pedal	
2	1	112692050/0	Skruv	Screw	
3	1	137160000/0	Distans	Spacer	
4	3	137040600/0	Bussning	Bush	
5	1	112155015/0	Mutter	Nut	
6	1	112760520/0	Skruv	Screw	
7	1	1134-1565-14	Distans	Spacer	
8	1	112155015/0	Mutter	Nut	
9	2	112760600/0	Skruv	Screw	
10	2	112583500/0	Lasbricka	Grower	
11	2	137510302/0	Stift	Pin	
12	1	1134-4187-01	Dämpare	Damper	
13	2	112155000/0	Mutter	Nut	
14	1	112154330/0	Mutter	Nut	
15	1	9570-0001-00	Vinkellänk As8 Din 71802M5	Elbow Link	
16	1	9739-0531-22	Mutter	Nut	
17	1	187000200/0	Kabel	Cable	
18	1	337546551/0	Plåt	Plate	
19	2	9959-0620-16	Skruv	Screw	
20	2	112292102/0	Mutter	Nut	
21	1	9739-0531-22	Mutter	Nut	
22	1	9570-0001-00	Vinkellänk As8 Din 71802M5	Elbow Link	
23	1	112154330/0	Mutter	Nut	
24	2	112789008/0	Skruv	Screw	
25	1	1134-0266-00	Fästbygel	Attaching Clamp	
26	1	1134-0267-00	Underläggsbleck	Clamp Plate	
27	1	137869111/0	Distans	Spacer Tube	
28	2	9739-0531-22	Mutter	Nut	
29	1	387773507/0	Fäste	Clamp	
30	2	9945-0816-16	Skruv	Screw	
31	1	387500003/0	Bromspedal Kpl	Brake Pedal Assy	
32	1	9997-1070-12	Skruv	Screw	
33	1	1134-5677-02	Distans	Spacer	
34	2	1134-0068-00	Lager (D20,4)	Bearing (D=20,4)	
35	1	9699-0030-02	Bricka	Washer	
36	1	9739-1031-22	Mutter	Nut	
37	1	4231-0013-00	Fjäder	Spring	
38	1	1134-6020-01	Motorbromswire	Cable, Thread Engine Brake	
39	1	1134-5989-01	Fjäder	Spring	
40	1	1134-5815-02	Wire	Cable	
41	1	387000301/0	Stång	Rod	
42	1	1134-4002-01	Fäste	Brake Rod Attachment	
43	3	112728697/0	Skruv	Screw	
44	1	1134-2786-01	Knopp	Knob	
45	1	1131-1497-01	Fjäder	Brake Spring	



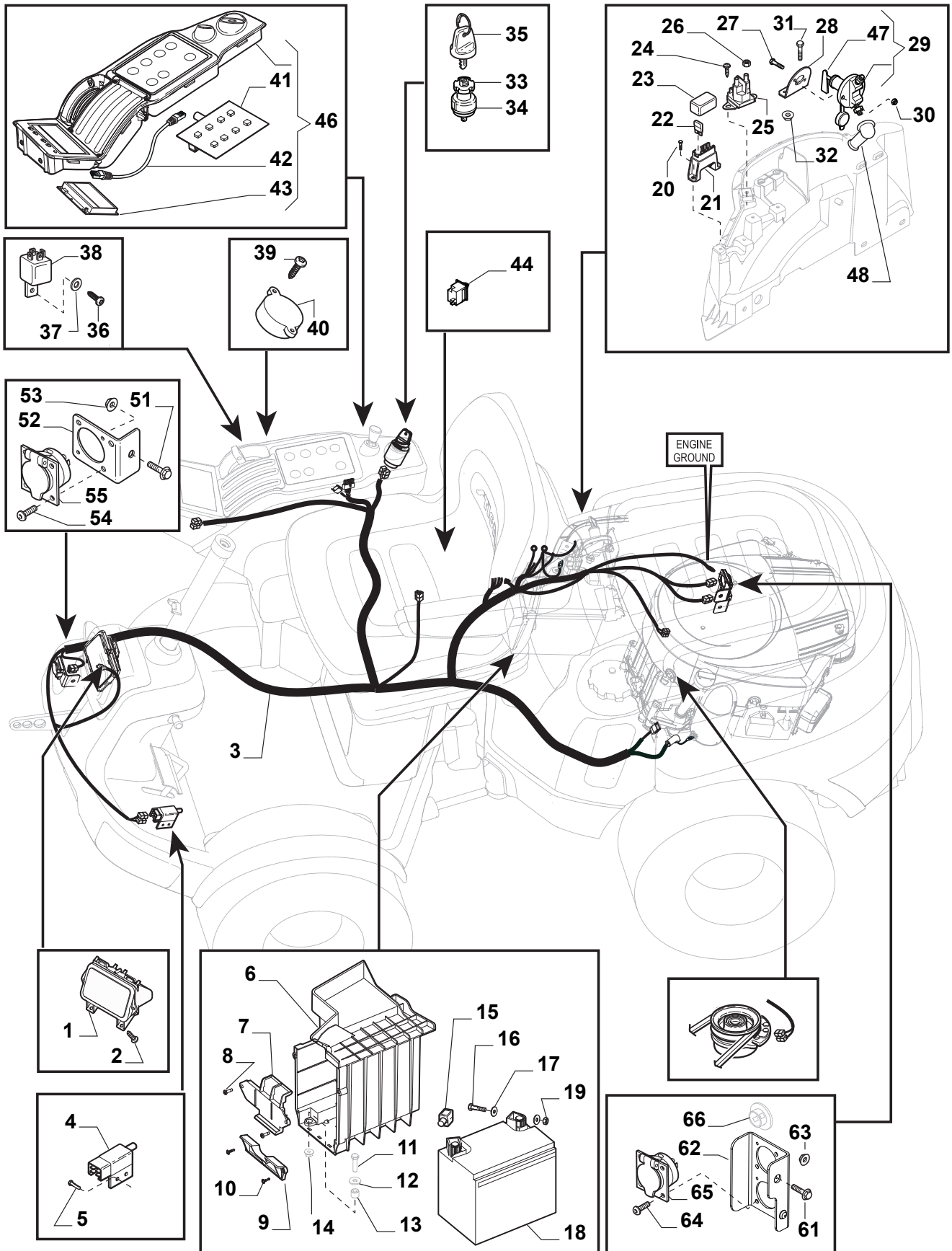
Utgåva Issue 7 - 2016		Power Take-Off		Power Take-Off	
Pos. Fig.	Antal Q.ty	Art nr Part No	Benämning	Description	Anmärkning Notes
1	1	9997-1011-06	Skruv	Screw	
2	1	9699-0030-02	Bricka	Washer	
3	1	1137-0209-01	Centrumremskiva Smst	Centre Belt Pulley	
4	1	1134-0052-00	Distans	Spacer	
5	1	1134-5663-01	Axel	Shaft	
6	1	1134-6314-01	Spännarmsfäste	Tension Arm Attachment	
7	1	1134-5660-01	Spännarm Kpl 5-01	Tension Arm Assy	
8	1	9699-0030-02	Bricka	Washer	
9	1	9739-1031-22	Mutter	Nut	
10	1	112689515/0	Skruv	Screw	
11	1	112154510/0	Mutter	Nut	
12	1	1134-5824-01	Fjäder	Spring	
13	1	112794900/0	Skruv	Screw	
14	1	1134-5823-01	Spännrulle Kpl	Tension Roller Assy	
15	1	9739-1031-22	Mutter	Nut	
16	1	1134-9098-01	Drivrem	Drive Belt	Contain belt 9585-0148-01
17	1	1134-3663-01	Remskiva	Tension Wheel	
18	1	9997-1070-12	Skruv	Screw	
19	1	1134-1888-06	Distans	Spacer	
20	1	337546545/0	Fjäder	Spring	
21	1	137038000/0	Bussning	Bush	
22	1	337600001/2	Skydd	Protection	
23	1	9699-0035-02	Bricka	Washer	
24	1	9739-1031-22	Mutter	Nut	
25	1	1134-5713-04	Fjäder	Spring	
26	1	112674700/0	Skruv	Screw	
27	1	112154510/0	Mutter	Nut	
31	1	1134-0222-00	Bricka	Washer	
32	1	1134-1730-02	Spännhjulssarm	Tensioning Wheel Arm	
33	1	9699-0109-02	Bricka	Washer	
34	2	1134-0052-00	Distans	Spacer	
35	1	1137-0209-01	Centrumremskiva Smst	Centre Belt Pulley	
36	1	1134-9097-01	Drivrem	Drive Belt	Contain belt 9585-0147-01
37	1	112794900/0	Skruv	Screw	
38	1	1134-5742-01	Spännarm	Tension Arm	
39	1	1134-3663-01	Remskiva	Tension Wheel	
40	1	9739-1031-22	Mutter	Nut	
41	1	1134-5713-03	Fjäder	Spring	
42	1	1134-0240-00	Skruv	Screw	
43	1	9665-0002-00	Bricka	Washer	
44	1	112155000/0	Mutter	Nut	
45	1	1134-5674-01	Magnetkoppling	Magnet Clutch	
46	1	1134-6452-01	Reaktionsstag (5-01)	Strut	
47	2	9959-0820-16	Skruv	Screw	
48	2	112154220/0	Mutter	Nut	
51	2	9945-0816-16	Skruv	Screw	
52	1	1134-5112-01	Fjäder	Spring	



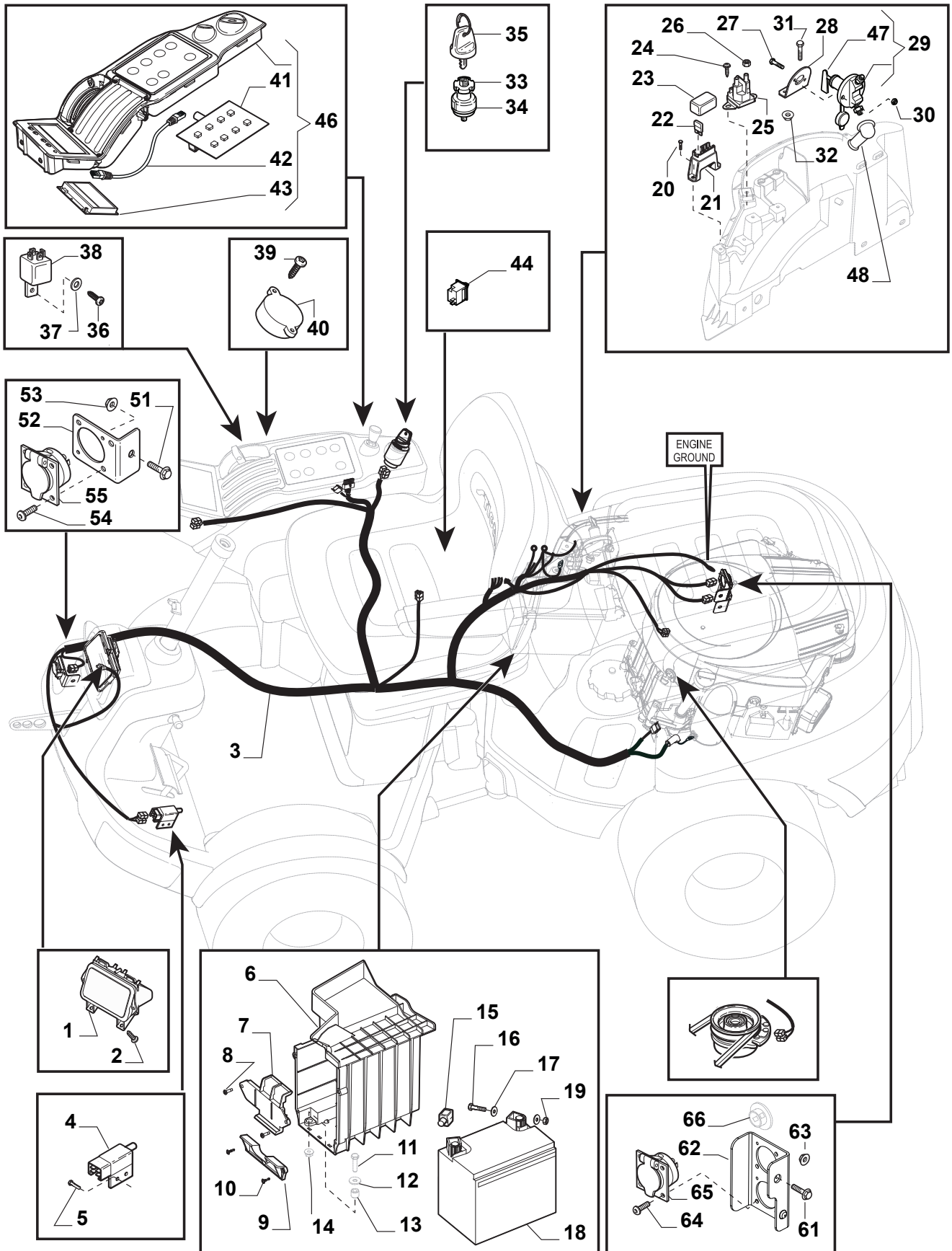
Utgåva Issue 7 - 2016		Power Take-Off		Power Take-Off	
Pos. Fig.	Antal Q.ty	Art nr Part No	Benämning	Description	Anmärkning Notes
53	2	112735669/0	Skruv	Screw	
54	2	112523050/0	Bricka	Washer	
55	2	1134-1565-14	Distans	Spacer	
56	2	112154510/0	Mutter	Nut	
57	2	9893-0616-16	Skruv Relä	Screw Relay	
58	1	337060002/0	Remskydd	Belt Cover	
59	2	112154510/0	Mutter	Nut	
60	1	112791500/0	Skruv	Screw	
61	1	337060007/0	Skydd	Protection Cover	
62	1	112154510/0	Mutter	Nut	
63	1	112791500/0	Skruv	Screw	
64	1	337060008/0	Skydd	Protection Cover	
65	1	112154510/0	Mutter	Nut	
71	1	112791500/0	Skruv	Screw	
72	1	112292102/0	Mutter	Nut	
73	1	337060006/0	Remskydd	Belt Cover	
74	1	112523050/0	Bricka	Washer	
75	1	112154510/0	Mutter	Nut	
76	2	112791500/0	Skruv	Screw	
77	2	112524010/0	Bricka	Washer	
78	1	337785100/0	Fäste	Support	
79	2	112523050/0	Bricka	Washer	
80	2	112154510/0	Mutter	Nut	
81	1	112791200/1	Skruv	Screw	
82	1	112154510/0	Mutter	Nut	
83	1	112791200/1	Skruv	Screw	
84	1	337600017/0	Skydd	Protection Cover	
85	1	112154510/0	Mutter	Nut	
86	2	112727796/0	Skruv	Screw	
87	1	137294101/0	Remstyrning	Belt Guide	
88	1	337060005/0	Remskydd	Belt Cover	
89	2	112154330/0	Mutter	Nut	
90	1	112791500/0	Skruv	Screw	
91	1	112154510/0	Mutter	Nut	
91	1	112791200/1	Skruv	Screw	
93	1	337600016/0	Skydd	Protection Cover	
94	1	112154510/0	Mutter	Nut	



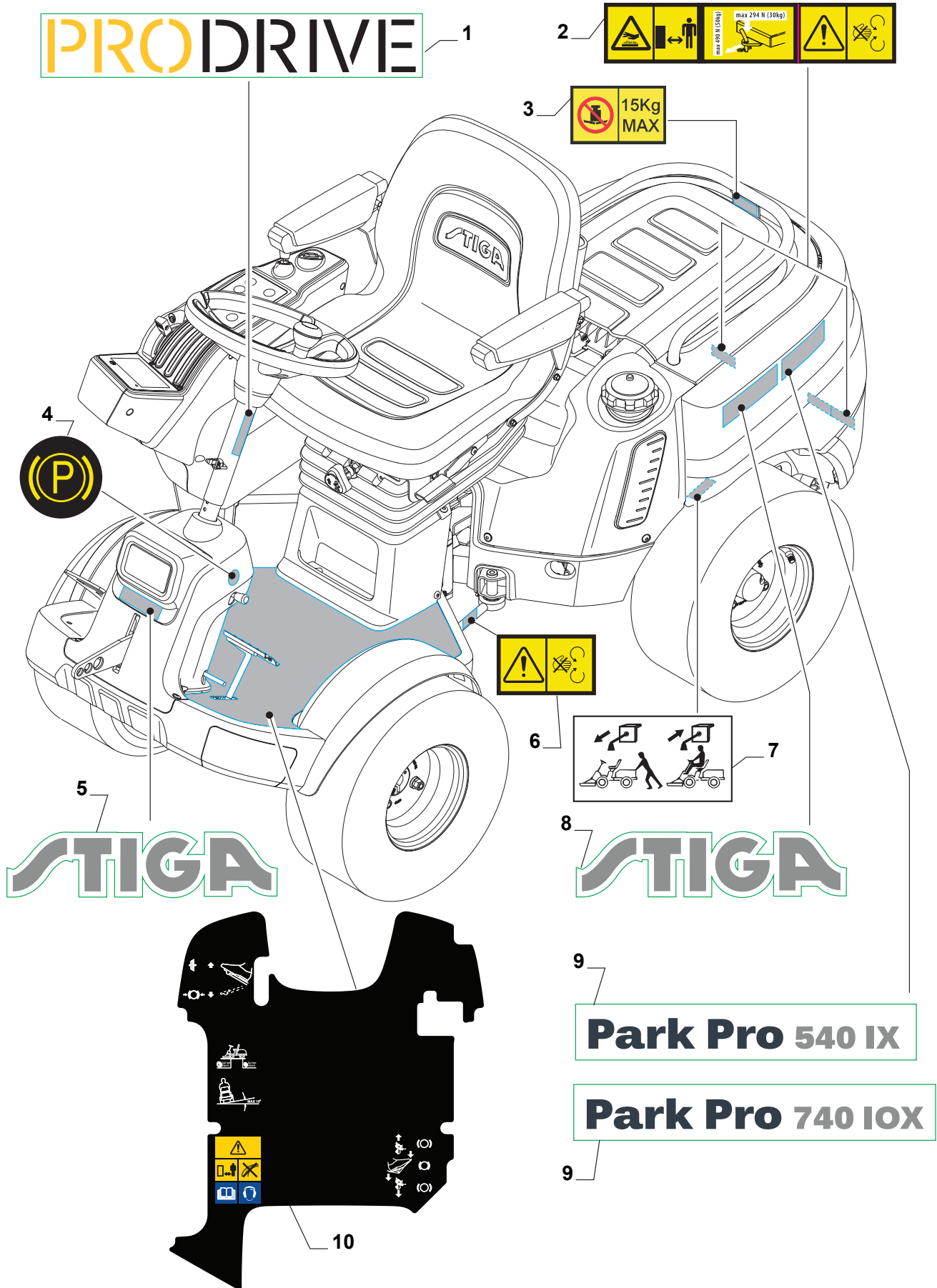
Utgåva Issue 7 - 2016		Motor - B&S	Engine - B&S		
Pos. Fig.	Antal Q.ty	Art nr Part No	Benämning	Description	Anmärkning Notes
2	1	337735110/1	Bensintank	Fuel tank	
37	1	118738253/1			
53	1	1137-1018-01	Oljeavtappningsrör	Oil Discharge Extension	
1	1	137793050/0	Tanklock	Fuel Cap	
3	1	137840001/0	Tankbygel	Fuel Tank Loop	
4	2	1134-4481-02	Vingmutter	Wing Nut	
5	2	112154510/0	Mutter	Nut	
6	1	137840002/0	Tankbygel	Fuel Tank Loop	
7	1	137840003/0	Tankbygel	Fuel Tank Loop	
8	3	1134-4176-01	Clips	Clips	
9	1	337785023/0	Tankfäste	Tank Support	
10	2	9945-0816-16	Skruv	Screw	
11	1	1134-3224-01	Bensinkran	Fuel Shut-Off Valve	
12	1	1134-3225-01	Gummibussning	Grommet	
13	1	1134-2975-13	Bensinslang	Fuel Tube	Cutting length 0,65 mt
14	2	9578-0023-02	Slangklämma D12*8 (Svart)	Hose Clamp	
20	1	112726388/0	Skruv	Screw	
21	1	337592150/0	Knopp	Knob	
22	1	112290800/0	Mutter	Nut	
23	1	187000201/0	Gasreglage	Throttle Control	
24	2	112735105/0	Skruv	Screw	
25	1	137090200/0	Chokereglage Kpl	Choke Control	
26	1	1134-4338-01	Reglageknopp	Control Button-Choke	
31	1	1137-0179-01	Ljuddämpare Kpl	Muffler Assy	
31	1	1137-0073-01	Ljuddämpare Kpl	Muffler Assy	
32	1	9959-0820-16	Skruv	Screw	
33	1	112523060/0	Bricka	Washer	
34	1	112154220/0	Mutter	Nut	
35	1	9893-0616-16	Skruv Relä	Screw Relay	
36	1	1137-1130-01	Bricka	Washer	
38	1	084-351-01	Band	Band	
39	4	112737450/0	Skruv	Screw	
39	4	112760515/0	Skruv	Screw	
41	1	9600-0251-00	Kil	Key	
42	1	1137-0207-01	Motorremskiva	Engine Belt Pulley	
43	1	112543000/0	Bricka	Washer	
44	1	9987-5376-12	Skruv	Screw	
45	3	9955-3725-16	Skruv	Screw	
46	2	1137-0115-01	Wireklämma	Wire Clamp	
47	2	9959-0820-16	Skruv	Screw	
48	1	1137-0072-01	Deflektor	Deflector	
49	2	112154220/0	Mutter	Nut	
50	3	112728698/0	Skruv	Screw	
51	1	337108501/0	Lufftransportör	Air Conveyor	
54	1	133320509/0	Kabelhållare	Cable Holder	
55	1	112691115/0	Skruv	Screw	
56	2	112540260/0	Lasbricka 8.4X15X0.8	Grower	
57	1	112154210/0	Mutter	Nut	



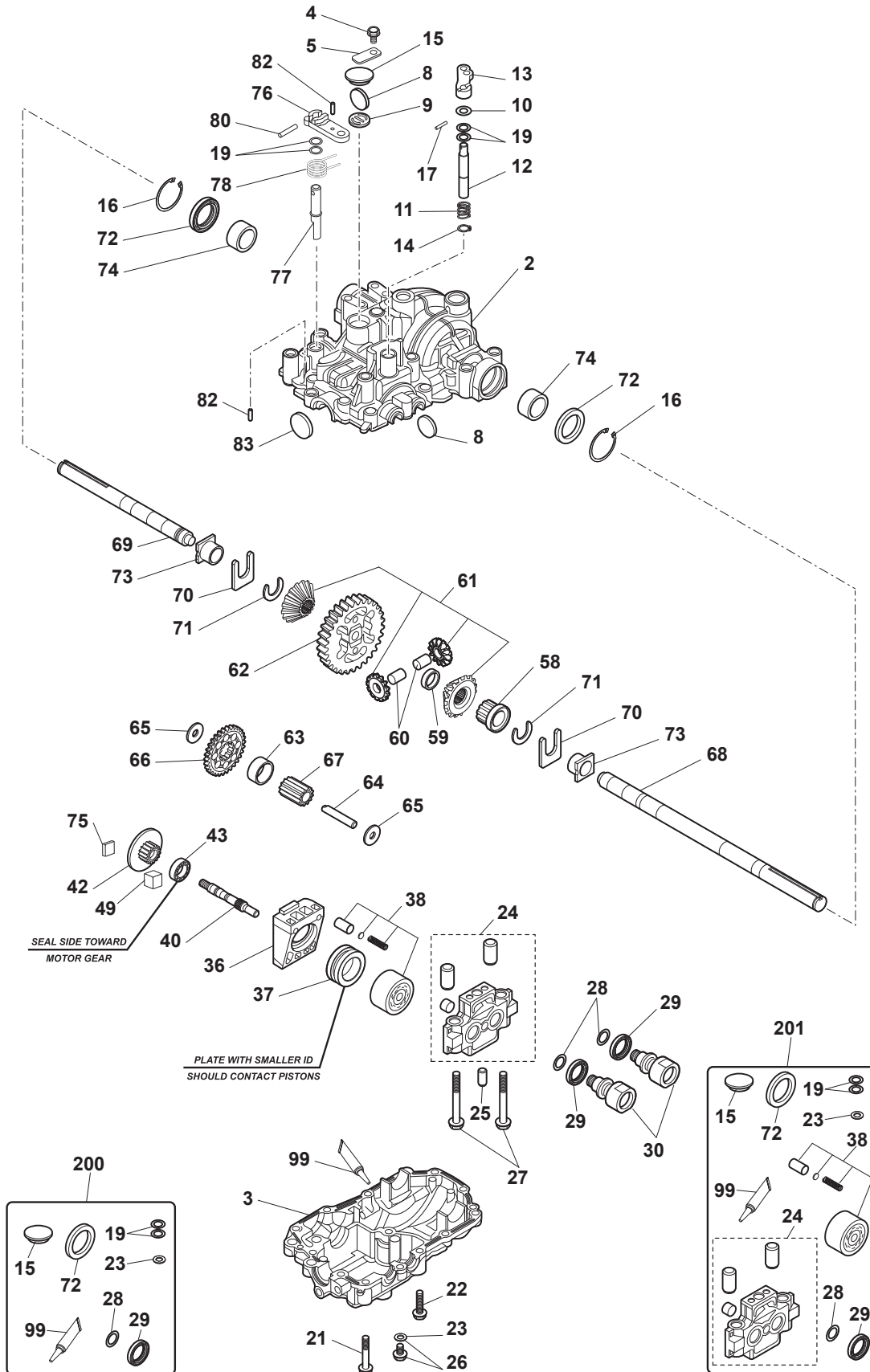
Utgåva Issue 7 - 2016		Elutrustning		Electric equipment	
Pos. Fig.	Antal Q.ty	Art nr Part No	Benämning	Description	Anmärkning Notes
1	1	387184250/0	Led-Lampa	Led-Lamp	
2	2	112728698/0	Skruv	Screw	
3	1	187040317/0			
4	1	1134-3399-01	Brytare	Switch	
5	2	9943-0516-16	Skruv	Screw	
6	1	337109500/0	Box	Container	
7	1	337245200/0	Låshylsa	Retainer	
8	2	9943-0516-16	Skruv	Screw	
9	1	337580470/0	Låshylsa	Retainer	
10	2	112728697/0	Skruv	Screw	
11	3	112791500/0	Skruv	Screw	
12	3	112523040/0	Bricka	Washer	
13	3	122170610/0	Distans	Spacer	
14	3	112292102/0	Mutter	Nut	
15	2	118564861/1	Polskydd	Protection	
16	2	112791400/0	Skruv	Screw	
17	4	112521330/0	Bricka	Washer	
18	1	1134-5751-01	Batteri	Battery	
19	2	112292100/0	Mutter	Nut	
20	2	112728697/0	Skruv	Screw	
21	1	1134-3491-01	Säkringshallare	Fuse Holder	
22	1	1134-3496-06	Vippa Säkring Säkring 20 Amp Gul	Cover-12V Fuse Fuse (20A)	
22	1	133340036/0	Säkring 25A	Fuse 25 A	
23	1	1134-3631-01	Lock (5-01)	Cover-Fuse Holder	
24	2	112728697/0	Skruv	Screw	
25	1	118736113/0	Starter Relay	Starter Relay	
26	2	9743-5121-32	Mutter	Nut	
27	2	112791200/1	Skruv	Screw	
28	1	337785025/0	Bygel	Support	
29	1	9400-0316-01	Huvudströmbrytare	Microswitch	incude pos. 47
30	2	112292102/0	Mutter	Nut	
31	2	112791200/1	Skruv	Screw	
32	2	112292102/0	Mutter	Nut	
33	1	1134-4749-01	Mutter	Nut	
34	1	118210026/0	Tändningslås	Starting Switch	
35	1	1134-4734-01	Tändningsnyckel	Ignition Key	
36	1	112728124/0	Skruv	Screw	
37	1	112523020/0	Bricka	Washer	
38	1	133567002/0	Relä	Relay	
39	2	112728124/0	Skruv	Screw	
40	1	337031585/0	Summer	Buzzer	
41	1	118803496/0	Mother Board	Mother Board	
42	1	137065302/0	Kabel	Cable	
43	1	118803492/0	Cpu-Display	Cpu-Display	
44	1	119410619/0	Mikrobrytare	Microswitch Cable Ass.Y (Rider	
45	1	137065301/0	Kabel	Cable	
46	1	387150002/0	Instrumentpanel	Dashboard	
47	1	118830001/0	Batterisäkerhetsnyckel	Battery Safety Key	



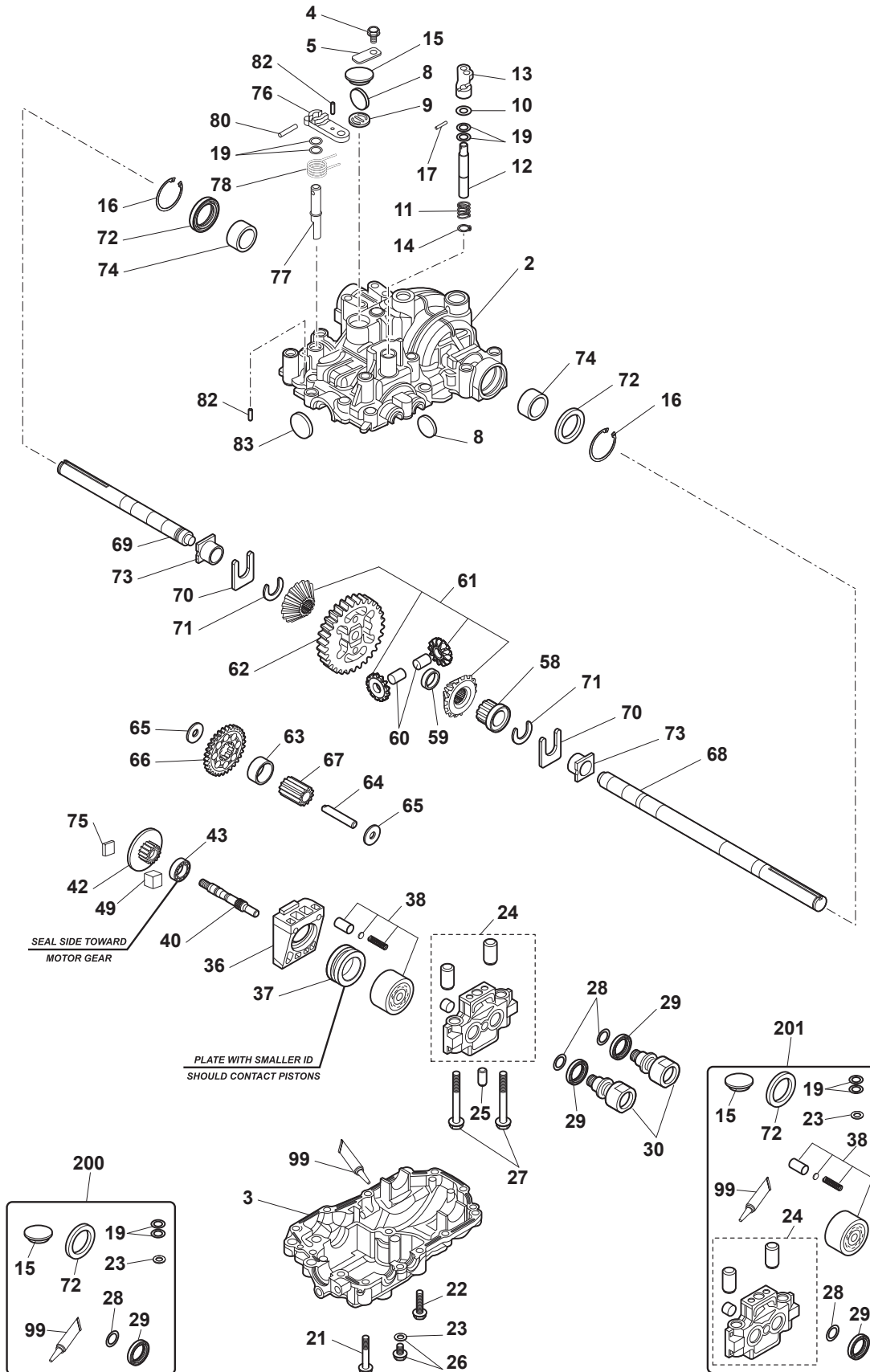
Utgåva Issue 7 - 2016		Elutrustning Electric equipment			
Pos. Fig.	Antal Q.ty	Art nr Part No	Benämning	Description	Anmärkning Notes
48	2	118564861/1	Polskydd	Protection	
51	1	9959-0820-16	Skruv	Screw	
52	1	1137-0075-01	Fäste	Attachment 2010	
53	1	112154220/0	Mutter	Nut	
54	2	112735105/0	Skruv	Screw	
55	1	1134-7535-01	Honkontakt	Female Connector	
61	1	9945-0816-16	Skruv	Screw	
62	1	387785217/0	Bygel	Support	
63	1	112154220/0	Mutter	Nut	
64	2	112735105/0	Skruv	Screw	
65	1	1134-7535-01	Honkontakt	Female Connector	
66	1	118802897/0	Plugg	Plug	
71	1	9959-0820-16	Skruv	Screw	
72	1	1137-0075-01	Fäste	Attachment 2010	
73	1	112154220/0	Mutter	Nut	
74	2	112735105/0	Skruv	Screw	
75	1	1134-7535-01	Honkontakt	Female Connector	



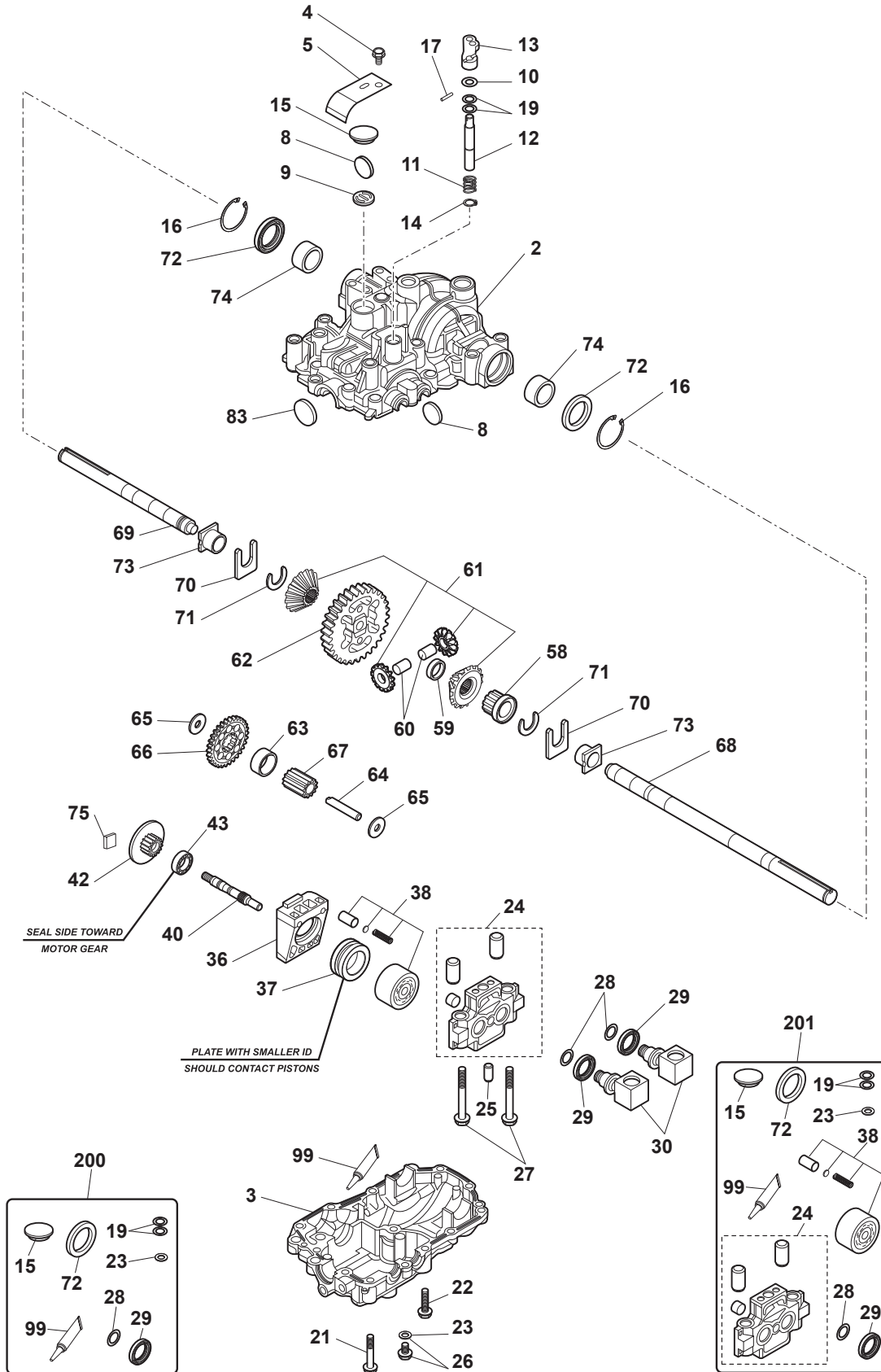
Utgåva Issue 7 - 2016		Dekaler Labels			
Pos. Fig.	Antal Q.ty	Art nr Part No	Benämning	Description	Anmärkning Notes
1	1	114368384/1	Dekal	Label	
2	1	114368425/0	Dekal	Label	
3	1	114368383/0	Dekal	Label	
4	1	114358460/0	Dekal	Label	
5	1	114367494/2	Dekal STIGA logo	Label STIGA logo	
6	1	9402-3406-01	Varn.Dekal Klämrisk	Varn.Dekal Klämrisk	
7	1	9402-3709-01	Dekal By-Pass 4Wd	Label	
8	2	114367494/2	Dekal STIGA logo	Label STIGA logo	
9	2	114368479/0	Dekal "PARK PRO 740 IOX"	Label "PARK PRO 740 IOX"	Label model 740
10	1	114367752/0	Dekal	Label	



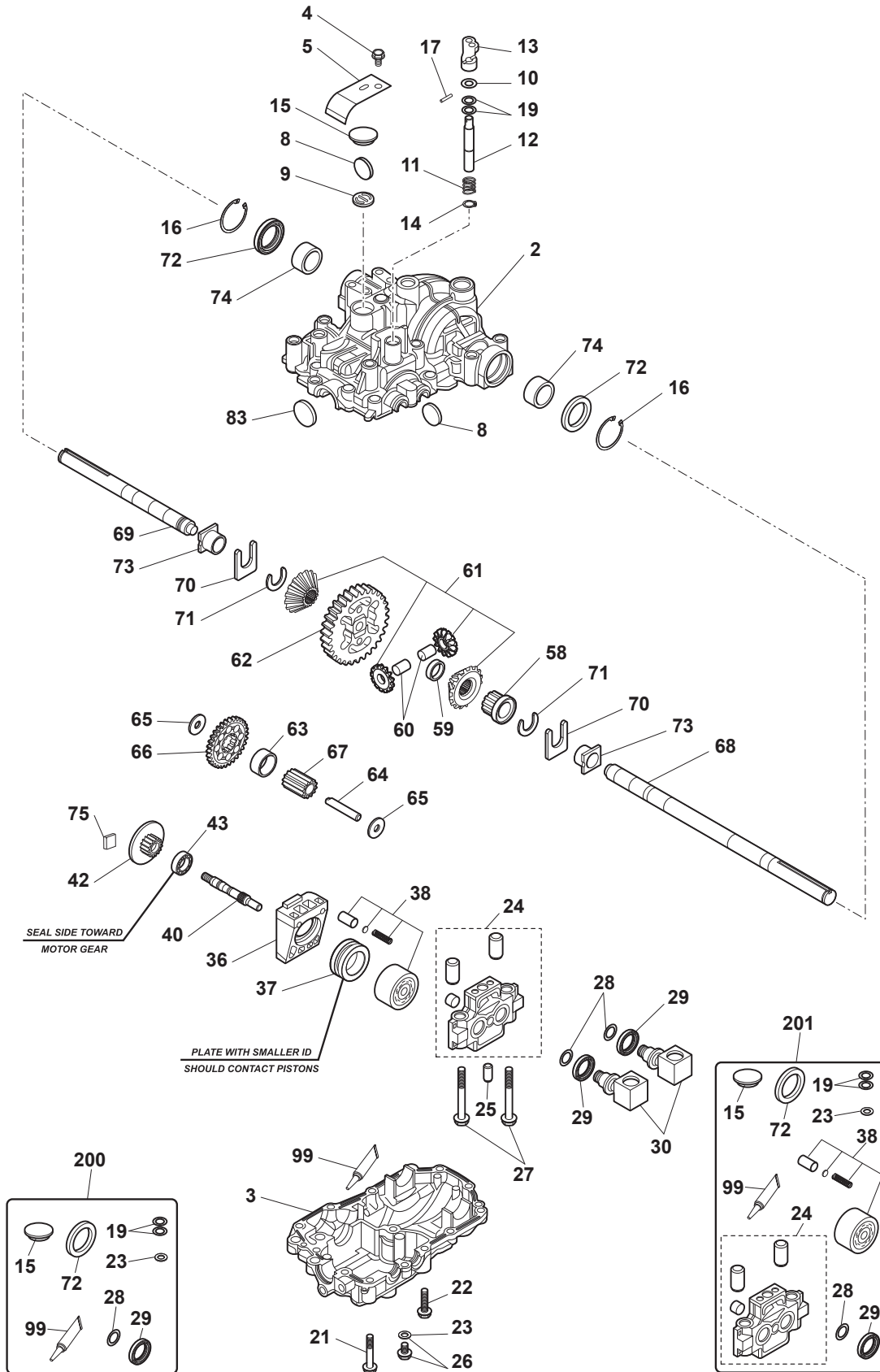
Utgåva Issue 7 - 2016		Transmission		Transmission	
Pos. Fig.	Antal Q.ty	Art nr Part No	Benämning	Description	Anmärkning Notes
1	1	1134-5701-01	Motoraxel-Bakre (Ktm10G)	Rear Motor Unit (Ktm10G)	Kanzaki KTM 10G/KT-M10G/
2	1	1139-1416-01	Hus-Övre	Housing-Upper	Inkl. pos 74/KTM10G/
2	1	1139-1417-01	Hus-Övre	Housing-Upper	Inkl. pos 74/KTM10G/
2	1	1139-1607-01	Hus-Övre	Housing Assy-Upper	Pos 74 incl.
3	1	1139-1418-01	Hus-Nedre	Housing-Lower	/KTM10G/
4	1	1139-1123-01	Bult	Bolt	/KTM10G/
5	1	1139-1383-01	Plat	Vent Port Plate	/KTM10G/
8	2	1139-1150-01	Magnet	Magnet	
9	1	1139-1341-01	Magnethallare	Magnet Holder	/KTM10G/
10	1	1139-1388-01	Bricka	Washer	/KTM10G/
11	1	1139-1421-01	Fjäder	Spring	/KTM10G/
12	1	1139-1420-01	By-Passaxel	By-Pass Shaft	/KTM10G/
13	1	1139-1189-01	Arm	By-Pass Lever	/KTM10G/
14	1	1139-1391-01	Lasring	Ring	/KTM10G/
15	1	1139-1275-01	Plugg	Bore Plug	
15	1	1139-1397-01	Tätningshuv	Sealing Cap	/KTM10G/
16	2	1139-1444-01	Lasring	Ring	
17	1	1139-1280-01	Stift	Pin	/KTM10G/
19	2	1139-1114-01	O-Ring	O-Ring	
21	3	1139-1291-01	Bult	Bolt	
22	11	1139-1448-01	Bult	Bolt	
23	1	1139-1103-01	Bricka	Washer	/KTM10G/
24	1	1139-1419-01	Centrumhus	Center Case	/KTM10G/
24	1	1139-1503-01	Centrumhus	Center Case	/KTM10G/
24	1	1139-1723-01	Centrumhus Kpl	Center Case Assy	
25	1	1139-1445-01	Stift	Pin	/KTM10G/
26	1	1139-1500-01	Dräneringsbult-Sats	Drain Bolt Kit	/KTM10G/
27	2	1139-1449-01	Bult	Bolt	
28	2	1139-1446-01	Packning	Packing	
29	2	1139-1447-01	Tätningring	Seal	
30	2	1139-1423-01	Anslutning	Connector	
36	1	1139-1422-01	Hus	Housing	/KTM10G/
36	1	1139-1504-01	Motorhus	Motor Housing	/KTM10G/
37	1	1139-1438-01	Lager	Bearing	/KTM10G/
38	1	1139-1139-01	Cylinderblock Kpl	Cylinder Block Assy	/KTM10G/
38	1	1139-1509-01	Cylinderblock Kpl	Cylinder Block Kit	/KTM10G/
40	1	1139-1425-01	Motoraxel	Motor Shaft	/KTM10G/
42	1	1139-1442-01	Motordrev	Motor Gear	/KTM10G/
43	1	1139-1286-01	Kullager	Ball Bearing	/KTM10G/
43	1	1139-1453-01	Lager	Bearing	/KTM10G/
58	1	1139-1330-01	Hylsa	Collar	/KTM10G/
58	1	1139-1531-01	Hylsa	Collar	/KTM10G/
59	1	1139-1435-01	Hylsa	Collar, Axle	/KTM10G/
60	1	1139-1440-01	Stift	Pin	/KTM10G/
61	1	1139-1439-01	Differentialdrev	Differential Gear Kit	/KTM10G/
62	1	1139-1429-01	Slutdrev	Final Gear	/KTM10G/
63	1	1139-1427-01	Hylsa	Collar	/KTM10G/
64	1	1139-1256-01	röduktionsaxel	Reduction Shaft	/KTM10G/



Utgåva Issue 7 - 2016		Transmission		Transmission	
Pos. Fig.	Antal Q.ty	Art nr Part No	Benämning	Description	Anmärkning Notes
65	2	1139-1398-01	Bricka	Washer	
66	1	1139-1441-01	Reduktionsdrev	Reduction Gear	/KTM10G/
67	1	1139-1361-01	Slutdrev	Final Pinion Gear	/KTM10G/
68	1	1139-1434-01	Hjulaxel	Axle	/KTM10G/
69	1	1139-1433-01	Hjulaxel	Axle	/KTM10G/
70	2	1139-1194-01	Bricka	Thrust Washer	
71	2	1139-1155-01	Lasring	Ring	
72	2	1139-1044-01	Tätning	Seal 25.4*42*8	
73	2	1139-1156-01	Bussning	Bushing	
74	2	1139-1415-01	Bussning	Bushing	
75	1	1139-1260-01	Bromssko	Brake Shoe	/KTM10G/
76	1	1139-1261-01	Bromsarm	Brake Arm	/KTM10G/
77	1	1139-1320-01	Bromsaxel	Brake Shaft	/KTM10G/
78	1	1139-1263-01	Returfjäder	Return Spring	/KTM10G/
79	1	1139-1264-01	Tryckplatta	Brake Actuator	/KTM10G/
80	1	1139-1282-01	Stift	Pin	/KTM10G/
81	1	1139-1114-01	O-Ring	O-Ring	
82	2	1139-1281-01	Stift	Pin	
83	1	1139-1450-01	Tätningshuv	Sealing Cap	/KTM10G/
99	1	1139-1443-01	Tätningmedel	Sealant (Tube)	/KTM10G/
200	1	1139-1437-01	Servicesats	Seal Kit	/KTM10G/



Utgåva Issue 7 - 2016		Transmission		Transmission	
Pos. Fig.	Antal Q.ty	Art nr Part No	Benämning	Description	Anmärkning Notes
1	1	1134-5702-01	Motoraxel-Främre (Ktm10F)	Front Motor Unit (Ktm10F)	Kanzaki KTM 10F/KT-M10F/
2	1	1139-1417-01	Hus-Övre	Housing-Upper	Inkl. pos 74/KTM10F/
2	1	1139-1604-01	Hus-Övre	Housing Assy-Upper	Pos 74 incl.
3	1	1139-1418-01	Hus-Nedre	Housing-Lower	/KTM10F/
4	1	1139-1123-01	Bult	Bolt	/KTM10F/
5	1	1139-1384-01	Glidplat	Skid Plate	/KTM10F/
5	1	1139-1603-01	Glidplat	Skid Plate	
8	2	1139-1150-01	Magnet	Magnet	
9	1	1139-1341-01	Magnethallare	Magnet Holder	/KTM10F/
10	1	1139-1388-01	Bricka	Washer	/KTM10F/
11	1	1139-1421-01	Fjäder	Spring	/KTM10F/
12	1	1139-1420-01	By-Passaxel	By-Pass Shaft	/KTM10F/
13	1	1139-1189-01	Arm	By-Pass Lever	/KTM10F/
14	1	1139-1391-01	Lasring	Ring	/KTM10F/
15	1	1139-1397-01	Tätningshuv	Sealing Cap	/KTM10F/
16	2	1139-1444-01	Lasring	Ring	
17	1	1139-1280-01	Stift	Pin	/KTM10F/
19	2	1139-1114-01	O-Ring	O-Ring	
21	3	1139-1291-01	Bult	Bolt	
22	11	1139-1448-01	Bult	Bolt	
23	1	1139-1103-01	Bricka	Washer	/KTM10F/
24	1	1139-1419-01	Centrumhus	Center Case	/KTM10F/
24	1	1139-1503-01	Centrumhus	Center Case	/KTM10F/
24	1	1139-1723-01	Centrumhus Kpl	Center Case Assy	
25	1	1139-1445-01	Stift	Pin	/KTM10F/
26	1	1139-1500-01	Dräneringsbult-Sats	Drain Bolt Kit	/KTM10F/
27	2	1139-1449-01	Bult	Bolt	
28	2	1139-1446-01	Packning	Packing	
29	2	1139-1447-01	Tätningring	Seal	
30	2	1139-1424-01	Anslutning	Connector	
36	1	1139-1422-01	Hus	Housing	/KTM10F/
36	1	1139-1504-01	Motorhus	Motor Housing	/KTM10F/
37	1	1139-1438-01	Lager	Bearing	/KTM10F/
38	1	1139-1139-01	Cylinderblock Kpl	Cylinder Block Assy	/KTM10F/
38	1	1139-1509-01	Cylinderblock Kpl	Cylinder Block Kit	/KTM10F/
40	1	1139-1425-01	Motoraxel	Motor Shaft	/KTM10F/
42	1	1139-1442-01	Motordrev	Motor Gear	/KTM10F/
43	1	1139-1286-01	Kullager	Ball Bearing	/KTM10F/
43	1	1139-1453-01	Lager	Bearing	/KTM10F/
58	1	1139-1330-01	Hylsa	Collar	/KTM10F/
59	1	1139-1435-01	Hylsa	Collar, Axle	/KTM10F/
60	1	1139-1440-01	Stift	Pin	/KTM10F/
61	1	1139-1439-01	Differentialdrev	Differential Gear Kit	/KTM10F/
62	1	1139-1429-01	Slutdrev	Final Gear	/KTM10F/
63	1	1139-1427-01	Hylsa	Collar	/KTM10F/
64	1	1139-1256-01	röduktionsaxel	Reduction Shaft	/KTM10F/
65	2	1139-1398-01	Bricka	Washer	
66	1	1139-1441-01	Reduktionsdrev	Reduction Gear	/KTM10F/



Utgåva Issue 7 - 2016		Transmission		Transmission	
Pos. Fig.	Antal Q.ty	Art nr Part No	Benämning	Description	Anmärkning Notes
67	1	1139-1361-01	Slutdrev	Final Pinion Gear	/KTM10F/
68	1	1139-1432-01	Hjulaxel	Axle	/KTM10F/
69	1	1139-1431-01	Hjulaxel	Axle	/KTM10F/
70	2	1139-1194-01	Bricka	Thrust Washer	
71	2	1139-1155-01	Lasring	Ring	
72	2	1139-1044-01	Tätning	Seal 25.4*42*8	
73	2	1139-1156-01	Bussning	Bushing	
74	2	1139-1415-01	Bussning	Bushing	
75	1	1139-1260-01	Bromssko	Brake Shoe	/KTM10F/
83	1	1139-1450-01	Tätningshuv	Sealing Cap	/KTM10F/
99	1	1139-1443-01	Tätningmedel	Sealant (Tube)	/KTM10F/
200	1	1139-1436-01	Servicesats	Seal Kit	/KTM10F/

code	pos.	q.ty	page										
13-0993-61	70	1	p. 15	1134-4948-01	24	1	p. 17	1137-0071-01	9	1	p. 21		
084-351-01	38	1	p. 31	1134-4948-01	32	6	p. 21	1137-0072-01	48	1	p. 31		
1131-1497-01	45	1	p. 25	1134-4948-01	46	8	p. 21	1137-0073-01	31	1	p. 31		
1134-0031-00	6	1	p. 9	1134-4948-01	56	2	p. 21	1137-0075-01	52	1	p. 35		
1134-0052-00	4	1	p. 27	1134-4948-01	57	4	p. 21	1137-0075-01	72	1	p. 35		
1134-0052-00	21	1	p. 19	1134-4948-02	34	4	p. 21	1137-0077-01	77	2	p. 15		
1134-0052-00	34	2	p. 27	1134-5112-01	52	1	p. 27	1137-0088-01	51	2	p. 5		
1134-0068-00	34	2	p. 25	1134-5177-01	10	1	p. 3	1137-0115-01	46	2	p. 31		
1134-0222-00	31	1	p. 27	1134-5512-01	56	1	p. 11	1137-0179-01	31	1	p. 31		
1134-0240-00	20	1	p. 13	1134-5660-01	7	1	p. 27	1137-0193-01	18	1	p. 21		
1134-0240-00	42	1	p. 27	1134-5663-01	5	1	p. 27	1137-0193-01	19	1	p. 21		
1134-0240-00	50	2	p. 9	1134-5674-01	45	1	p. 27	1137-0207-01	42	1	p. 31		
1134-0266-00	25	1	p. 25	1134-5677-02	33	1	p. 25	1137-0209-01	3	1	p. 27		
1134-0267-00	26	1	p. 25	1134-5686-01	72	4	p. 15	1137-0209-01	35	1	p. 27		
1134-1565-08	27	2	p. 9	1134-5701-01	1	1	p. 39	1137-0211-01	10	1	p. 17		
1134-1565-09	30	1	p. 17	1134-5701-01	28	1	p. 13	1137-0215-01	8	1	p. 17		
1134-1565-09	49	3	p. 9	1134-5702-01	1	1	p. 43	1137-0215-02	9	1	p. 17		
1134-1565-14	7	1	p. 25	1134-5702-01	47	1	p. 13	1137-0220-01	12	1	p. 17		
1134-1565-14	55	2	p. 29	1134-5703-01	35	1	p. 13	1137-0272-01	2	1	p. 17		
1134-1565-15	32	1	p. 13	1134-5703-01	56	1	p. 15	1137-1018-01	53	1	p. 31		
1134-1730-02	32	1	p. 27	1134-5705-01	9	1	p. 9	1137-1093-01	59	2	p. 15		
1134-1888-06	19	1	p. 27	1134-5713-02	15	1	p. 13	1137-1130-01	36	1	p. 31		
1134-2684-01	7	2	p. 21	1134-5713-03	41	1	p. 27	1139-0010-01	41	6	p. 3		
1134-2786-01	44	1	p. 25	1134-5713-04	25	1	p. 27	1139-0011-01	40	6	p. 3		
1134-2975-13	13	1	p. 31	1134-5739-01	16	1	p. 13	1139-1044-01	72	2	p. 41		
1134-3224-01	11	1	p. 31	1134-5742-01	38	1	p. 27	1139-1044-01	72	2	p. 45		
1134-3225-01	12	1	p. 31	1134-5751-01	18	1	p. 33	1139-1103-01	23	1	p. 39		
1134-3262-01	28	1	p. 3	1134-5763-01	5	1	p. 13	1139-1103-01	23	1	p. 43		
1134-3383-02	38	2	p. 13	1134-5764-01	25	1	p. 13	1139-1114-01	19	2	p. 39		
1134-3383-02	60	2	p. 15	1134-5797-01	67	4	p. 15	1139-1114-01	19	2	p. 43		
1134-3399-01	4	1	p. 33	1134-5807-01	21	1	p. 17	1139-1114-01	81	1	p. 41		
1134-3459-01	18	1	p. 13	1134-5808-01	17	2	p. 17	1139-1123-01	4	1	p. 39		
1134-3491-01	21	1	p. 33	1134-5809-01	15	1	p. 17	1139-1123-01	4	1	p. 43		
1134-3496-06	22	1	p. 33	1134-5809-01	16	1	p. 17	1139-1139-01	38	1	p. 39		
1134-3631-01	23	1	p. 33	1134-5810-01	13	1	p. 17	1139-1139-01	38	1	p. 43		
1134-3663-01	17	1	p. 27	1134-5810-01	19	1	p. 17	1139-1150-01	8	2	p. 39		
1134-3663-01	39	1	p. 27	1134-5810-01	27	1	p. 17	1139-1150-01	8	2	p. 43		
1134-4002-01	42	1	p. 25	1134-5815-02	40	1	p. 25	1139-1155-01	71	2	p. 41		
1134-4014-01	7	1	p. 13	1134-5821-01	12	1	p. 13	1139-1155-01	71	2	p. 45		
1134-4109-01	64	1	p. 23	1134-5823-01	14	1	p. 27	1139-1156-01	73	2	p. 41		
1134-4176-01	8	3	p. 31	1134-5824-01	12	1	p. 27	1139-1156-01	73	2	p. 45		
1134-4176-01	44	6	p. 5	1134-5862-01	11	2	p. 13	1139-1189-01	13	1	p. 39		
1134-4176-01	54	4	p. 5	1134-5875-01	22	1	p. 17	1139-1189-01	13	1	p. 43		
1134-4176-01	57	2	p. 7	1134-5963-01	3	1	p. 17	1139-1194-01	70	2	p. 41		
1134-4176-01	67	3	p. 7	1134-5964-01	4	1	p. 17	1139-1194-01	70	2	p. 45		
1134-4187-01	12	1	p. 25	1134-5988-01	12	1	p. 9	1139-1256-01	64	1	p. 39		
1134-4190-01	10	1	p. 13	1134-5989-01	39	1	p. 25	1139-1256-01	64	1	p. 43		
1134-4242-01	22	1	p. 13	1134-6020-01	38	1	p. 25	1139-1260-01	75	1	p. 41		
1134-4242-01	52	2	p. 11	1134-6039-01	23	1	p. 17	1139-1260-01	75	1	p. 45		
1134-4282-01	14	1	p. 17	1134-6042-01	25	1	p. 17	1139-1261-01	76	1	p. 41		
1134-4282-01	16	1	p. 19	1134-6042-01	48	2	p. 21	1139-1263-01	78	1	p. 41		
1134-4282-01	62	1	p. 23	1134-6073-01	27	1	p. 3	1139-1264-01	79	1	p. 41		
1134-4338-01	26	1	p. 31	1134-6314-01	6	1	p. 27	1139-1275-01	15	1	p. 39		
1134-4481-02	4	2	p. 31	1134-6323-01	33	2	p. 21	1139-1280-01	17	1	p. 39		
1134-4587-01	63	1	p. 23	1134-6452-01	46	1	p. 27	1139-1280-01	17	1	p. 43		
1134-4734-01	35	1	p. 33	1134-7172-01	50	2	p. 21	1139-1281-01	82	2	p. 41		
1134-4749-01	33	1	p. 33	1134-7173-01	51	2	p. 21	1139-1282-01	80	1	p. 41		
1134-4796-01	41	2	p. 13	1134-7175-01	49	2	p. 21	1139-1286-01	43	1	p. 39		
1134-4815-01	12	1	p. 21	1134-7296-01	45	4	p. 21	1139-1286-01	43	1	p. 43		
1134-4816-01	11	1	p. 21	1134-7465-01	73	1	p. 15	1139-1291-01	21	3	p. 39		
1134-4817-01	8	1	p. 21	1134-7535-01	55	1	p. 35	1139-1291-01	21	3	p. 43		
1134-4824-01	31	2	p. 21	1134-7535-01	65	1	p. 35	1139-1320-01	77	1	p. 41		
1134-4826-01	16	2	p. 21	1134-7535-01	75	1	p. 35	1139-1330-01	58	1	p. 39		
1134-4844-03	39	2	p. 13	1134-9058-01	14	1	p. 13	1139-1330-01	58	1	p. 43		
1134-4844-03	61	2	p. 15	1134-9097-01	36	1	p. 27	1139-1341-01	9	1	p. 39		
1134-4947-01	17	4	p. 21	1134-9098-01	16	1	p. 27	1139-1341-01	9	1	p. 43		
				1137-0045-01	6	1	p. 19	1139-1361-01	67	1	p. 41		

code	pos.	q.ty	page									
1139-1361-01	67	1	p. 45	1139-1450-01	83	1	p. 41	9739-1031-22	15	1	p. 27	
1139-1383-01	5	1	p. 39	1139-1450-01	83	1	p. 45	9739-1031-22	19	1	p. 13	
1139-1384-01	5	1	p. 43	1139-1453-01	43	1	p. 39	9739-1031-22	24	1	p. 27	
1139-1388-01	10	1	p. 39	1139-1453-01	43	1	p. 43	9739-1031-22	36	1	p. 25	
1139-1388-01	10	1	p. 43	1139-1500-01	26	1	p. 39	9739-1031-22	40	1	p. 27	
1139-1391-01	14	1	p. 39	1139-1500-01	26	1	p. 43	9739-1031-22	76	2	p. 15	
1139-1391-01	14	1	p. 43	1139-1503-01	24	1	p. 39	9743-5121-32	26	2	p. 33	
1139-1397-01	15	1	p. 39	1139-1503-01	24	1	p. 43	9893-0616-16	14	2	p. 21	
1139-1397-01	15	1	p. 43	1139-1504-01	36	1	p. 39	9893-0616-16	18	4	p. 9	
1139-1398-01	65	2	p. 41	1139-1504-01	36	1	p. 43	9893-0616-16	24	5	p. 5	
1139-1398-01	65	2	p. 43	1139-1509-01	38	1	p. 39	9893-0616-16	26	1	p. 3	
1139-1415-01	74	2	p. 41	1139-1509-01	38	1	p. 43	9893-0616-16	27	2	p. 5	
1139-1415-01	74	2	p. 45	1139-1531-01	58	1	p. 39	9893-0616-16	30	10	p. 9	
1139-1416-01	2	1	p. 39	1139-1603-01	5	1	p. 43	9893-0616-16	32	18	p. 9	
1139-1417-01	2	1	p. 39	1139-1604-01	2	1	p. 43	9893-0616-16	35	1	p. 31	
1139-1417-01	2	1	p. 43	1139-1607-01	2	1	p. 39	9893-0616-16	40	2	p. 5	
1139-1418-01	3	1	p. 39	1139-1723-01	24	1	p. 39	9893-0616-16	40	4	p. 9	
1139-1418-01	3	1	p. 43	1139-1723-01	24	1	p. 43	9893-0616-16	43	1	p. 5	
1139-1419-01	24	1	p. 39	1139-2081-01	34	1	p. 19	9893-0616-16	45	3	p. 5	
1139-1419-01	24	1	p. 43	4231-0013-00	37	1	p. 25	9893-0616-16	46	3	p. 5	
1139-1420-01	12	1	p. 39	9400-0316-01	29	1	p. 33	9893-0616-16	53	5	p. 5	
1139-1420-01	12	1	p. 43	9402-3406-01	6	1	p. 37	9893-0616-16	57	2	p. 29	
1139-1421-01	11	1	p. 39	9402-3709-01	7	1	p. 37	9893-0616-16	58	2	p. 7	
1139-1421-01	11	1	p. 43	9501-0502-00	71	2	p. 15	9893-0616-16	62	8	p. 7	
1139-1422-01	36	1	p. 39	9501-0504-01	3	1	p. 9	9893-0616-16	66	3	p. 7	
1139-1422-01	36	1	p. 43	9545-0124-01	65	4	p. 15	9897-0820-16	23	4	p. 9	
1139-1423-01	30	2	p. 39	9545-0500-00	64	4	p. 15	9897-0820-16	38	2	p. 9	
1139-1424-01	30	2	p. 43	9547-0001-00	10	2	p. 9	9897-0880-12	26	2	p. 9	
1139-1425-01	40	1	p. 39	9549-0017-00	2	1	p. 19	9898-1035-16	75	2	p. 15	
1139-1425-01	40	1	p. 43	9570-0001-00	15	1	p. 25	9931-3516-16	67	2	p. 23	
1139-1427-01	63	1	p. 39	9570-0001-00	22	1	p. 25	9939-0612-16	5	3	p. 19	
1139-1427-01	63	1	p. 43	9578-0023-02	14	2	p. 31	9943-0516-16	5	2	p. 33	
1139-1429-01	62	1	p. 39	9578-0023-04	7	3	p. 17	9943-0516-16	8	2	p. 33	
1139-1429-01	62	1	p. 43	9578-0023-05	11	1	p. 17	9943-0516-16	54	2	p. 11	
1139-1431-01	69	1	p. 45	9578-0028-01	28	1	p. 17	9943-0516-16	56	4	p. 7	
1139-1432-01	68	1	p. 45	9595-0256-01	8	2	p. 19	9945-0816-16	4	1	p. 19	
1139-1433-01	69	1	p. 41	9595-0262-00	5	1	p. 9	9945-0816-16	10	2	p. 31	
1139-1434-01	68	1	p. 41	9595-0262-00	11	2	p. 3	9945-0816-16	16	4	p. 9	
1139-1435-01	59	1	p. 39	9598-0002-02	14	1	p. 21	9945-0816-16	18	6	p. 3	
1139-1435-01	59	1	p. 43	9599-0054-02	10	1	p. 21	9945-0816-16	30	2	p. 25	
1139-1436-01	200	1	p. 45	9600-0251-00	41	1	p. 31	9945-0816-16	42	4	p. 5	
1139-1437-01	200	1	p. 41	9653-0002-04	40	2	p. 13	9945-0816-16	46	4	p. 9	
1139-1438-01	37	1	p. 39	9653-0002-04	68	2	p. 15	9945-0816-16	50	6	p. 5	
1139-1438-01	37	1	p. 43	9665-0002-00	21	1	p. 13	9945-0816-16	51	2	p. 27	
1139-1439-01	61	1	p. 39	9665-0002-00	43	1	p. 27	9945-0816-16	54	2	p. 13	
1139-1439-01	61	1	p. 43	9665-0002-00	51	2	p. 11	9945-0816-16	60	4	p. 7	
1139-1440-01	60	1	p. 39	9695-0011-00	1	1	p. 19	9945-0816-16	61	1	p. 35	
1139-1440-01	60	1	p. 43	9699-0030-02	2	1	p. 27	9945-0825-16	47	2	p. 9	
1139-1441-01	66	1	p. 41	9699-0030-02	8	1	p. 27	9945-0825-16	59	3	p. 11	
1139-1441-01	66	1	p. 43	9699-0030-02	35	1	p. 25	9947-0540-19	42	2	p. 13	
1139-1442-01	42	1	p. 39	9699-0035-02	13	1	p. 9	9955-3725-16	45	3	p. 31	
1139-1442-01	42	1	p. 43	9699-0035-02	23	1	p. 27	9959-0620-16	19	2	p. 25	
1139-1443-01	99	1	p. 41	9699-0060-02	48	2	p. 5	9959-0820-16	10	4	p. 19	
1139-1443-01	99	1	p. 45	9699-0090-02	31	1	p. 13	9959-0820-16	19	4	p. 3	
1139-1444-01	16	2	p. 39	9699-0090-02	46	2	p. 13	9959-0820-16	24	1	p. 13	
1139-1444-01	16	2	p. 43	9699-0090-02	50	2	p. 13	9959-0820-16	32	1	p. 31	
1139-1445-01	25	1	p. 39	9699-0109-02	33	1	p. 27	9959-0820-16	47	2	p. 27	
1139-1445-01	25	1	p. 43	9710-0631-12	9	1	p. 3	9959-0820-16	47	2	p. 31	
1139-1446-01	28	2	p. 39	9731-1031-22	4	2	p. 13	9959-0820-16	51	1	p. 35	
1139-1446-01	28	2	p. 43	9731-1031-22	13	1	p. 13	9959-0820-16	55	2	p. 11	
1139-1447-01	29	2	p. 39	9731-1031-22	37	2	p. 13	9959-0820-16	71	1	p. 35	
1139-1447-01	29	2	p. 43	9731-1031-22	66	12	p. 15	9959-0825-16	29	1	p. 17	
1139-1448-01	22	11	p. 39	9731-1031-22	68	2	p. 15	9959-1025-16	11	2	p. 9	
1139-1448-01	22	11	p. 43	9739-0531-22	16	1	p. 25	9960-0860-12	27	2	p. 13	
1139-1449-01	27	2	p. 39	9739-0531-22	21	1	p. 25	9987-5376-12	44	1	p. 31	
1139-1449-01	27	2	p. 43	9739-0531-22	28	2	p. 25	9997-0812-02	30	1	p. 13	
				9739-1031-22	9	1	p. 27	9997-0880-16	49	1	p. 13	

code	pos.	q.ty	page										
9997-1011-06	1	1	p. 27	112320450/0	58	2	p. 21	112735105/0	64	2	p. 35		
9997-1040-16	2	2	p. 13	112375000/0	36	1	p. 21	112735105/0	74	2	p. 35		
9997-1040-16	34	2	p. 13	112375001/0	55	2	p. 21	112735402/0	29	5	p. 5		
9997-1040-16	55	2	p. 15	112379511/0	2	1	p. 9	112735402/0	34	4	p. 9		
9997-1070-12	18	1	p. 27	112379511/0	8	2	p. 9	112735598/0	75	1	p. 23		
9997-1070-12	32	1	p. 25	112379511/0	36	2	p. 13	112735669/0	21	3	p. 21		
112000400/0	52	2	p. 21	112379511/0	57	2	p. 15	112735669/0	53	2	p. 29		
112000401/0	12	4	p. 19	112446500/0	47	4	p. 21	112737450/0	39	4	p. 31		
112000401/0	37	1	p. 21	112500070/0	24	20	p. 3	112760515/0	39	4	p. 31		
112000402/0	65	2	p. 23	112500094/0	32	4	p. 3	112760520/0	6	1	p. 25		
112000915/0	34	2	p. 5	112521330/0	13	4	p. 21	112760572/0	18	1	p. 19		
112154210/0	22	5	p. 9	112521330/0	17	4	p. 33	112760600/0	9	2	p. 25		
112154210/0	57	1	p. 31	112521350/0	25	1	p. 19	112760610/0	21	1	p. 9		
112154220/0	21	2	p. 3	112521360/0	19	2	p. 19	112789008/0	24	2	p. 25		
112154220/0	26	1	p. 13	112521460/0	26	2	p. 5	112791200/1	27	2	p. 33		
112154220/0	34	1	p. 31	112521460/0	28	2	p. 5	112791200/1	31	2	p. 33		
112154220/0	48	2	p. 27	112522050/0	44	8	p. 21	112791200/1	70	2	p. 23		
112154220/0	49	2	p. 31	112523020/0	37	1	p. 33	112791200/1	81	1	p. 29		
112154220/0	53	1	p. 35	112523040/0	12	3	p. 33	112791200/1	83	1	p. 29		
112154220/0	57	2	p. 11	112523040/0	68	4	p. 23	112791200/1	91	1	p. 29		
112154220/0	63	1	p. 35	112523040/0	71	2	p. 23	112791400/0	16	2	p. 33		
112154220/0	73	1	p. 35	112523050/0	54	2	p. 29	112791500/0	11	3	p. 33		
112154330/0	14	1	p. 25	112523050/0	74	1	p. 29	112791500/0	60	1	p. 29		
112154330/0	23	1	p. 25	112523050/0	79	2	p. 29	112791500/0	63	1	p. 29		
112154330/0	89	2	p. 29	112523060/0	33	1	p. 31	112791500/0	71	1	p. 29		
112154510/0	5	2	p. 31	112523060/0	41	4	p. 5	112791500/0	76	2	p. 29		
112154510/0	11	1	p. 27	112523060/0	52	4	p. 5	112791500/0	90	1	p. 29		
112154510/0	27	1	p. 27	112523060/0	61	4	p. 7	112793102/0	3	1	p. 3		
112154510/0	30	1	p. 3	112524006/0	26	1	p. 19	112793102/0	31	4	p. 3		
112154510/0	49	2	p. 5	112524010/0	77	2	p. 29	112794300/0	3	2	p. 21		
112154510/0	56	2	p. 29	112540260/0	56	2	p. 31	112794300/0	17	1	p. 13		
112154510/0	59	2	p. 29	112543000/0	43	1	p. 31	112794900/0	13	1	p. 27		
112154510/0	62	1	p. 29	112583500/0	4	1	p. 3	112794900/0	37	1	p. 27		
112154510/0	65	1	p. 29	112583500/0	10	2	p. 25	112815200/0	31	2	p. 19		
112154510/0	72	2	p. 23	112583500/0	33	4	p. 3	112815200/0	47	2	p. 5		
112154510/0	75	1	p. 29	112583500/0	36	4	p. 3	112818700/0	20	4	p. 9		
112154510/0	80	2	p. 29	112604896/0	6	2	p. 13	114358460/0	4	1	p. 37		
112154510/0	82	1	p. 29	112620299/0	5	1	p. 3	114367494/2	5	1	p. 37		
112154510/0	85	1	p. 29	112674700/0	26	1	p. 27	114367494/2	8	2	p. 37		
112154510/0	91	1	p. 29	112689515/0	10	1	p. 27	114367752/0	10	1	p. 37		
112154510/0	94	1	p. 29	112691115/0	35	4	p. 3	114368383/0	3	1	p. 37		
112155000/0	13	2	p. 25	112691115/0	55	1	p. 31	114368384/1	1	1	p. 37		
112155000/0	23	1	p. 13	112691900/0	45	2	p. 13	114368425/0	2	1	p. 37		
112155000/0	25	6	p. 9	112692050/0	2	1	p. 25	114368479/0	9	2	p. 37		
112155000/0	27	1	p. 19	112692080/0	24	1	p. 19	118210026/0	34	1	p. 33		
112155000/0	29	2	p. 13	112726388/0	20	1	p. 31	118475000/0	1	1	p. 13		
112155000/0	33	1	p. 13	112727796/0	63	6	p. 7	118564861/1	15	2	p. 33		
112155000/0	39	2	p. 9	112727796/0	86	2	p. 29	118564861/1	48	2	p. 35		
112155000/0	44	1	p. 27	112727801/0	46	4	p. 3	118736113/0	25	1	p. 33		
112155000/0	48	2	p. 13	112728124/0	36	1	p. 33	118737220/0	15	8	p. 3		
112155000/0	53	1	p. 13	112728124/0	39	2	p. 33	118738253/1	37	1	p. 31		
112155000/0	53	2	p. 11	112728697/0	6	1	p. 17	118802897/0	66	1	p. 35		
112155015/0	5	1	p. 25	112728697/0	10	2	p. 33	118803490/0	5	1	p. 17		
112155015/0	8	1	p. 25	112728697/0	20	2	p. 33	118803492/0	43	1	p. 33		
112155015/0	61	1	p. 11	112728697/0	24	2	p. 33	118803496/0	41	1	p. 33		
112156602/0	5	2	p. 21	112728697/0	43	3	p. 25	118830001/0	47	1	p. 33		
112156602/0	23	1	p. 19	112728698/0	2	2	p. 33	119410619/0	44	1	p. 33		
112290800/0	22	1	p. 31	112728698/0	37	2	p. 5	122170610/0	13	3	p. 33		
112292100/0	19	2	p. 33	112728698/0	50	3	p. 31	122671651/0	48	2	p. 9		
112292102/0	14	3	p. 33	112728698/0	55	2	p. 7	125580020/2	30	2	p. 5		
112292102/0	20	2	p. 25	112728698/0	64	5	p. 7	133320509/0	54	1	p. 31		
112292102/0	25	3	p. 21	112728699/0	25	2	p. 5	133340036/0	22	1	p. 33		
112292102/0	30	2	p. 33	112728699/0	31	2	p. 5	133567002/0	38	1	p. 33		
112292102/0	32	2	p. 33	112728699/0	43	7	p. 9	137038000/0	21	1	p. 27		
112292102/0	33	2	p. 19	112728706/0	26	4	p. 21	137040600/0	4	3	p. 25		
112292102/0	72	1	p. 29	112735105/0	24	2	p. 31	137040601/0	7	1	p. 19		
				112735105/0	54	2	p. 35	137040602/0	37	4	p. 3		

code	pos.	q.ty	page								
137065301/0	45	1	p. 33	337592350/0	45	1	p. 3	387869513/0	26	1	p. 17
137065302/0	42	1	p. 33	337600001/2	22	1	p. 27				
137090200/0	25	1	p. 31	337600016/0	93	1	p. 29				
137160000/0	3	1	p. 25	337600017/0	84	1	p. 29				
137294101/0	87	1	p. 29	337735110/1	2	1	p. 31				
137295200/0	32	1	p. 19	337737500/0	17	1	p. 3				
137430100/0	36	1	p. 5	337774007/0	4	1	p. 21				
137510300/0	35	1	p. 5	337785011/0	69	1	p. 23				
137510301/0	22	1	p. 19	337785021/0	33	1	p. 5				
137510302/0	11	2	p. 25	337785023/0	9	1	p. 31				
137722603/0	38	1	p. 3	337785025/0	28	1	p. 33				
137793050/0	1	1	p. 31	337785100/0	78	1	p. 29				
137840001/0	3	1	p. 31	337961200/0	1	1	p. 3				
137840002/0	6	1	p. 31	387000301/0	41	1	p. 25				
137840003/0	7	1	p. 31	387057500/0	35	1	p. 9				
137869111/0	27	1	p. 25	387130001/0	4	1	p. 9				
187000200/0	17	1	p. 25	387150002/0	46	1	p. 33				
187000201/0	23	1	p. 31	387184250/0	1	1	p. 33				
187000454/0	63	4	p. 15	387185100/0	39	1	p. 3				
187040317/0	3	1	p. 33	387256051/0	6	1	p. 21				
187145000/1	22	1	p. 21	387457001/0	42	1	p. 9				
187305500/0	9	1	p. 19	387500001/1	1	1	p. 25				
187318253/0	23	3	p. 21	387500003/0	31	1	p. 25				
187584000/0	20	1	p. 19	387507501/1	17	1	p. 9				
187593701/0	12	1	p. 3	387520101/1	6	1	p. 3				
337031585/0	40	1	p. 33	387520105/1	8	1	p. 3				
337060002/0	58	1	p. 29	387547001/0	33	1	p. 9				
337060005/0	88	1	p. 29	387547003/0	36	1	p. 9				
337060006/0	73	1	p. 29	387547005/0	37	1	p. 9				
337060007/0	61	1	p. 29	387547007/0	31	1	p. 9				
337060008/0	64	1	p. 29	387547009/0	28	1	p. 9				
337076801/0	4	1	p. 5	387547011/0	24	1	p. 9				
337085501/0	29	1	p. 9	387547013/0	22	1	p. 3				
337108501/0	51	1	p. 31	387547015/0	29	1	p. 3				
337109500/0	6	1	p. 33	387547017/0	44	1	p. 9				
337109530/0	2	1	p. 21	387547019/0	45	1	p. 9				
337109531/0	39	1	p. 5	387559001/0	41	1	p. 9				
337109532/0	38	1	p. 5	387559002/0	27	1	p. 21				
337110301/0	3	1	p. 5	387594001/0	1	1	p. 5				
337110302/0	2	1	p. 5	387602501/0	60	1	p. 11				
337110304/0	5	1	p. 5	387602503/0	58	1	p. 11				
337110305/0	6	1	p. 5	387650001/0	3	1	p. 19				
337110306/0	15	1	p. 5	387680309/0	62	4	p. 15				
337110307/0	14	1	p. 5	387735253/0	1	1	p. 17				
337110308/0	17	1	p. 5	387754201/0	20	1	p. 3				
337110309/0	19	1	p. 5	387773507/0	29	1	p. 25				
337110310/0	18	1	p. 5	387785201/0	19	1	p. 9				
337110311/0	10	1	p. 5	387785203/0	16	1	p. 3				
337110312/0	12	1	p. 5	387785205/0	51	1	p. 13				
337110328/0	7	1	p. 5	387785217/0	62	1	p. 35				
337207100/0	9	1	p. 5	387800001/0	14	1	p. 9				
337245200/0	7	1	p. 33	387800003/0	1	1	p. 9				
337394200/0	32	1	p. 5	387800005/0	7	1	p. 9				
337394201/0	7	1	p. 3	387869500/0	18	1	p. 17				
337487520/0	65	1	p. 7	387869501/0	11	1	p. 19				
337491250/0	13	1	p. 5	387869502/0	13	1	p. 19				
337491251/0	11	1	p. 5	387869503/0	41	1	p. 21				
337502500/0	8	1	p. 5	387869503/0	42	1	p. 21				
337502501/0	1	1	p. 21	387869504/0	53	1	p. 21				
337546531/0	23	4	p. 3	387869504/0	54	1	p. 21				
337546535/0	25	4	p. 3	387869505/0	66	1	p. 23				
337546545/0	20	1	p. 27	387869506/0	15	1	p. 19				
337546551/0	18	1	p. 25	387869507/0	14	1	p. 19				
337580470/0	9	1	p. 33	387869508/0	17	1	p. 19				
337580550/0	2	1	p. 3	387869509/0	35	1	p. 21				
337592150/0	21	1	p. 31	387869510/0	61	1	p. 23				
				387869512/0	20	1	p. 17				