

Genuine Spare Parts

www.stiga.com

PARK Mower Deck 110 Combi Model Year 2011

includes:

13-2931-44 Mower deck 110 Combi Pro

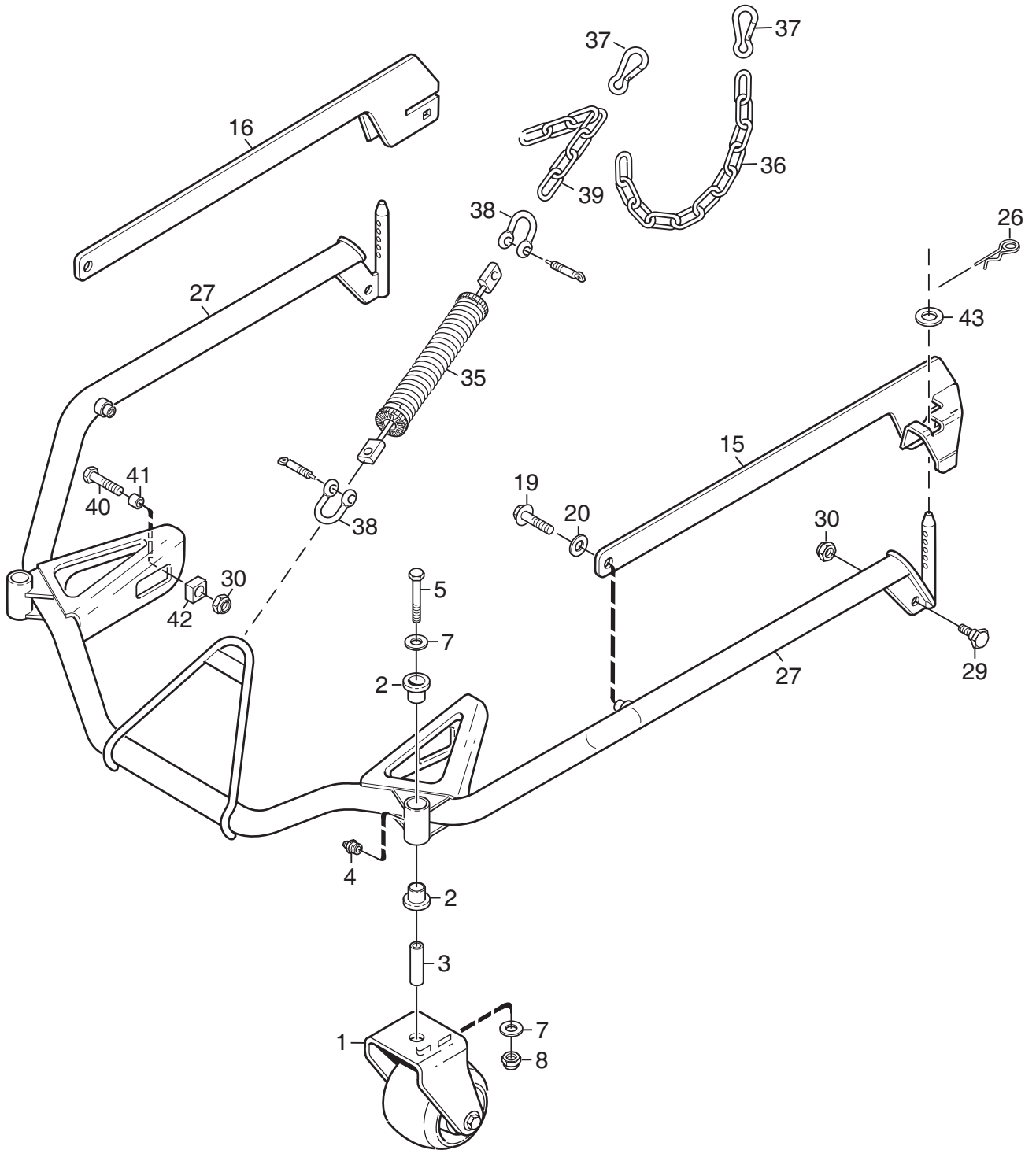
13-2932-44 Mower deck 110 Combi Pro

- Use GLOBAL GARDEN PRODUCT Genuine Spare Parts specified in the parts list for repair and/or replacement.
- The contents described in the parts list may change due to improvement.
- The drawings of the spare parts are only indicative and might not represent the part in question exactly.
- The indications "right" - "left" - "front" - "rear" refer to the position of the operator when using the machine.
- When placing orders of parts for repair and/or replacement, make sure that the illustrated parts list is the one applying to the machine's year of manufacture, as shown on the identification plate attached to the machine.

COPYRIGHT by GLOBAL GARDEN PRODUCTS

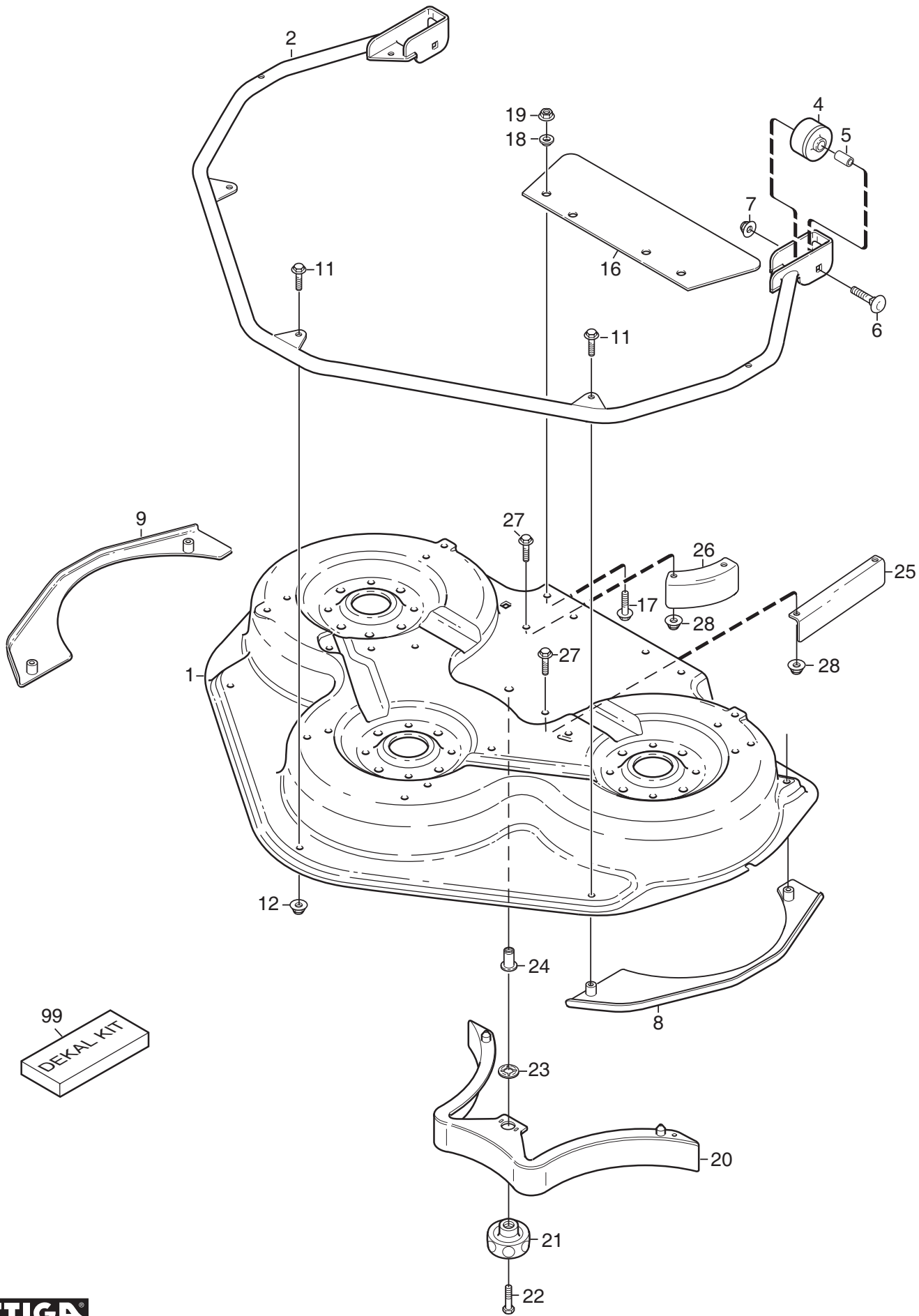
All rights reserved. No part of this material may be reproduced or transmitted, in any form or by any means, electronic or mechanical, including photocopying, recording or by any information storage and retrieval system, without permission in writing from GLOBAL GARDEN PRODUCTS.





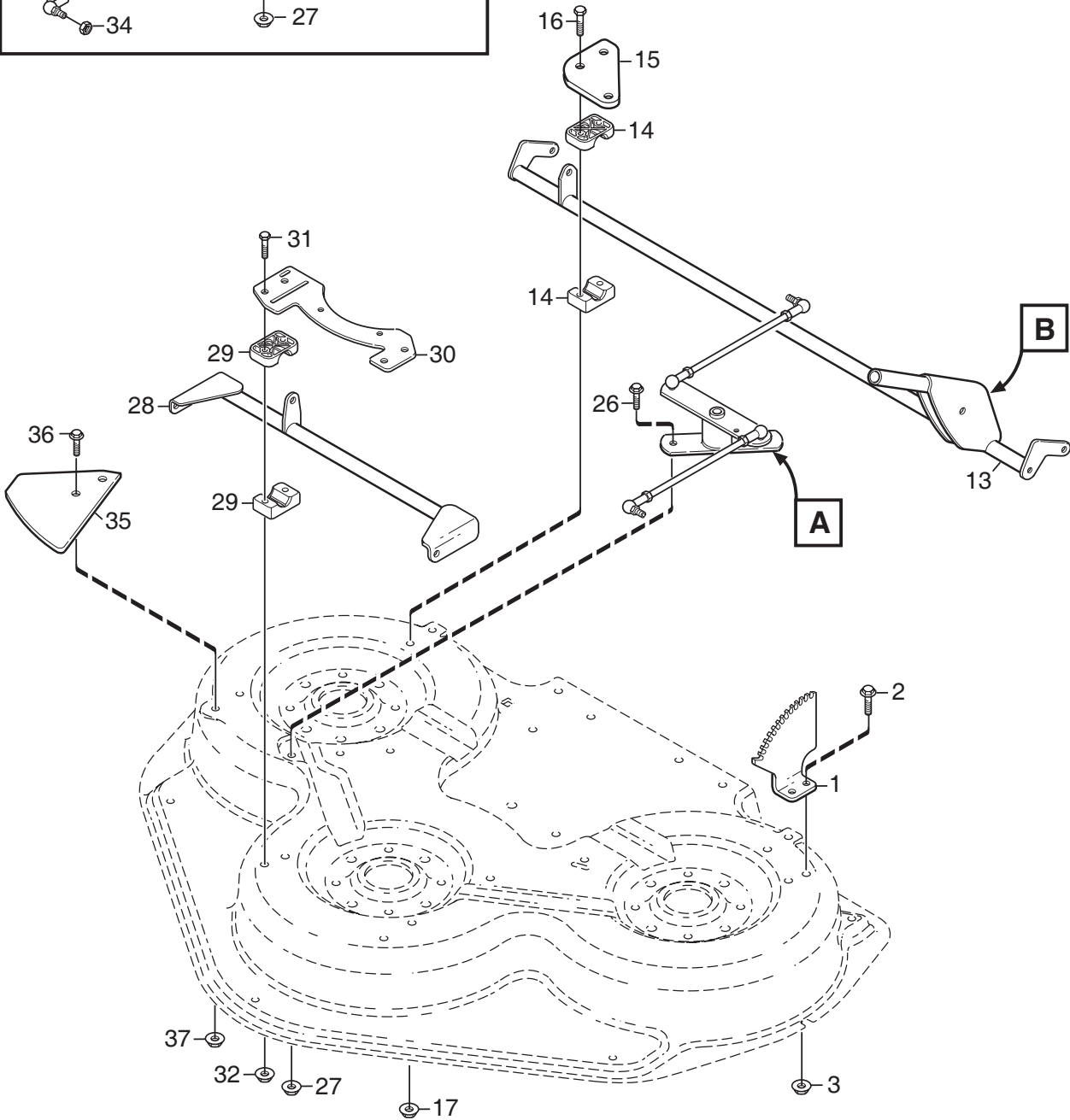
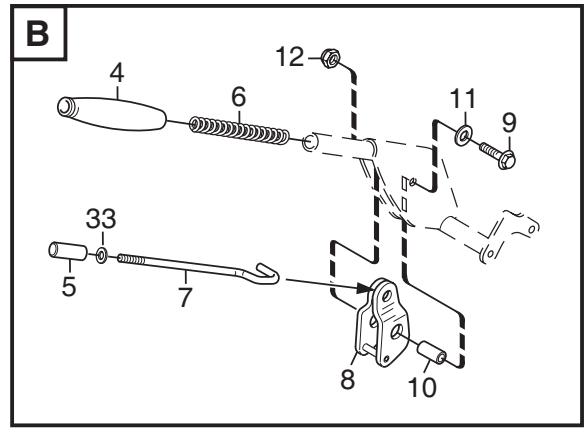
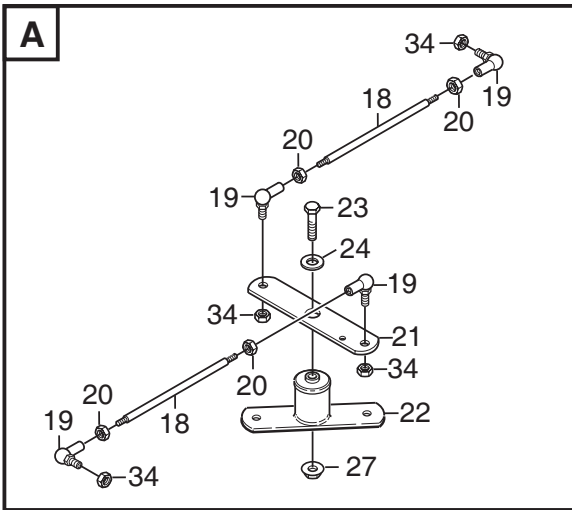
Utgåva Issue 2011-11		Bildnr Picture No 1829C		PARK KLIPPAGGREGAT 110 COMBI PRO RAM		PARK MOWER DECK 110 COMBI PRO FRAME		Sida Page 214	
Pos. Fig.	Antal/Quantity				Art nr Part No	Benämning	Description	Sats Kit	Anmärkning Notes
	2931 2932 -44								
1	2				1134-5884-01	Pivothjul	Pivot wheel		
2	1				1134-9026-01	Lagerbussning	Bearing bush kit		Sats 4 st/kit of 4
3	2				1134-5677-01	Distans	Spacer		
4	2				9501-0500-00	Smörjnippel	Grease joint		
5	2				9997-1090-12	Skruv	Screw		
7	4				9699-0030-02	Planbricka	Flat washer		
8	2				9747-1031-02	Låsmutter	Lock nut		
15	1				1134-6141-01	Aggregatsarm- vä	Mower deck arm- LH		
16	1				1134-6141-02	Aggregatsarm- hö	Mower deck arm- RH		
19	2				9959-0816-16	Skruv	Screw		
20	2				9699-0056-02	Planbricka	Flat washer		
26	2				9598-2001-02	Låsnål	Spring pin		
27	1				1134-5843-01	Ram	Frame		
29	2				1134-0240-01	Ansatsskruv	Shoulder screw		
30	4				9747-0831-02	Mutter	Lock nut		
35	1				1134-6365-02	Lyftfjäder	Lift spring		
36	1				1134-6368-03	Kedja	Chain		12 links
37	2				1134-5528-01	Karbinhake	Snap hook		
38	2				1134-2629-01	Lyftlänk	Lift link		7 links
39	1				1134-6368-02	Kedja	Chain		
40	2				9997-0825-16	Skruv	Screw		
41	2				1134-5626-01	Distans	Spacer		
42	2				1134-7595-01	Distans	Spacer		
43	2				9699-0123-02	Bricka	Washer		17x40x6
99	1				8211-7001-10	Bruksanvisning	Owner's manual		Ej ill/not ill.

X

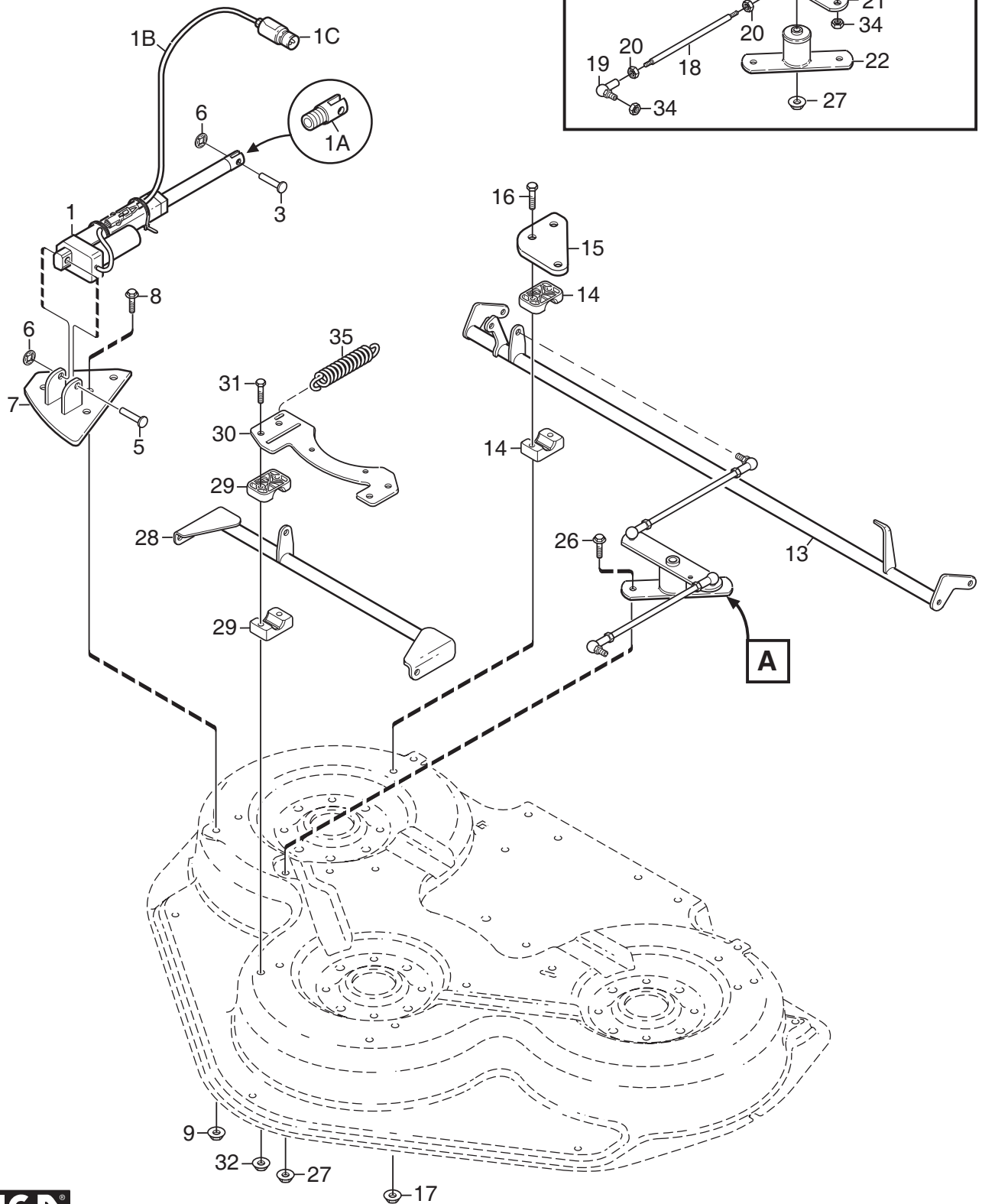


Utgåva Issue 2011-11		Bildnr Picture No 2000A		PARK KLIPPAGGREGAT 110 COMBI PRO KÅPA		PARK MOWER DECK 110 COMBI PRO CASING		Sida Page 216	
Pos. Fig.	Antal/Quantity				Art nr Part No	Benämning	Description	Sats Kit	Anmärkning Notes
	2931 2932 -44								
1	1				1134-5901-01 Kåpa	Casing			Inkl. pos 24
2	1				1134-5977-02 Ram-grå.....	Frame- grey			
4	2				1134-3434-01 Rulle	Roller			
5	2				1134-0041-04 Hylsa	Bushing.....			
6	2				9897-1060-12 Skruv	Screw			
7	2				9739-1031-22 Mutter.....	Nut			
8	1				1137-0249-01 Slitskydd- vä	Wear protection- LH			
9	1				1137-0249-02 Slitskydd- hö.....	Wear protection- RH.....			
11	5				9959-0816-16 Skruv	Screw			
12	1				9739-0831-22 Mutter.....	Nut			
16	1				1134-5885-01 Gummiskydd	Rubber flap			
17	2				9959-0816-16 Skruv	Screw			
18	4				1134-4185-01 Ansatsbricka	Flange washer			
19	2				9739-0831-22 Mutter.....	Nut			
20	1				1134-5966-01 Mulcherplugg	Mulch plug			
21	1				1117-3194-01 Lås ratt	Locking knob			
22	1				9997-0840-16 Skruv	Screw			
23	1				9675-0012-02 Starlock	Locking washer			
24	2				1134-5595-01 • Nitmutter	• Riveting nut.....			
25	1				1134-5553-02 Ledskena- rak (svart).....	Guide plate- straight			
26	1				1134-5970-01 Ledskena- böjd	Guide plate- curved			
27	4				9959-0816-16 Skruv	Screw			
28	4				9739-0831-22 Mutter.....	Nut			
99	1				1134-5594-02 Dekalsats	Label kit			

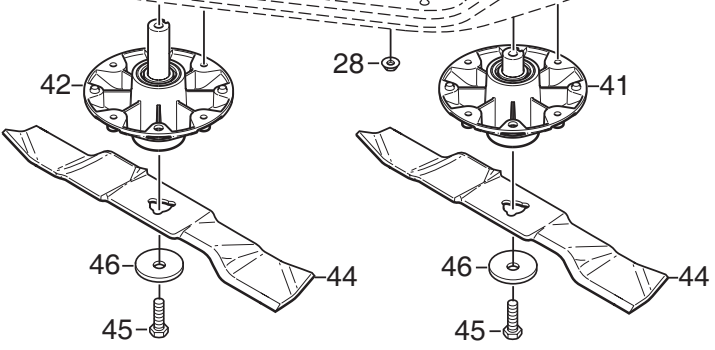
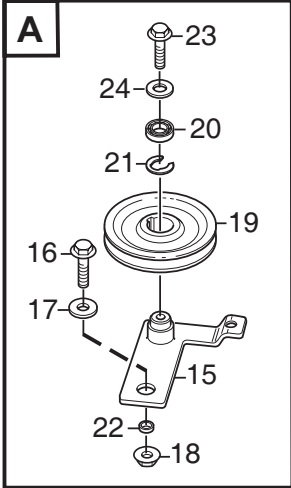
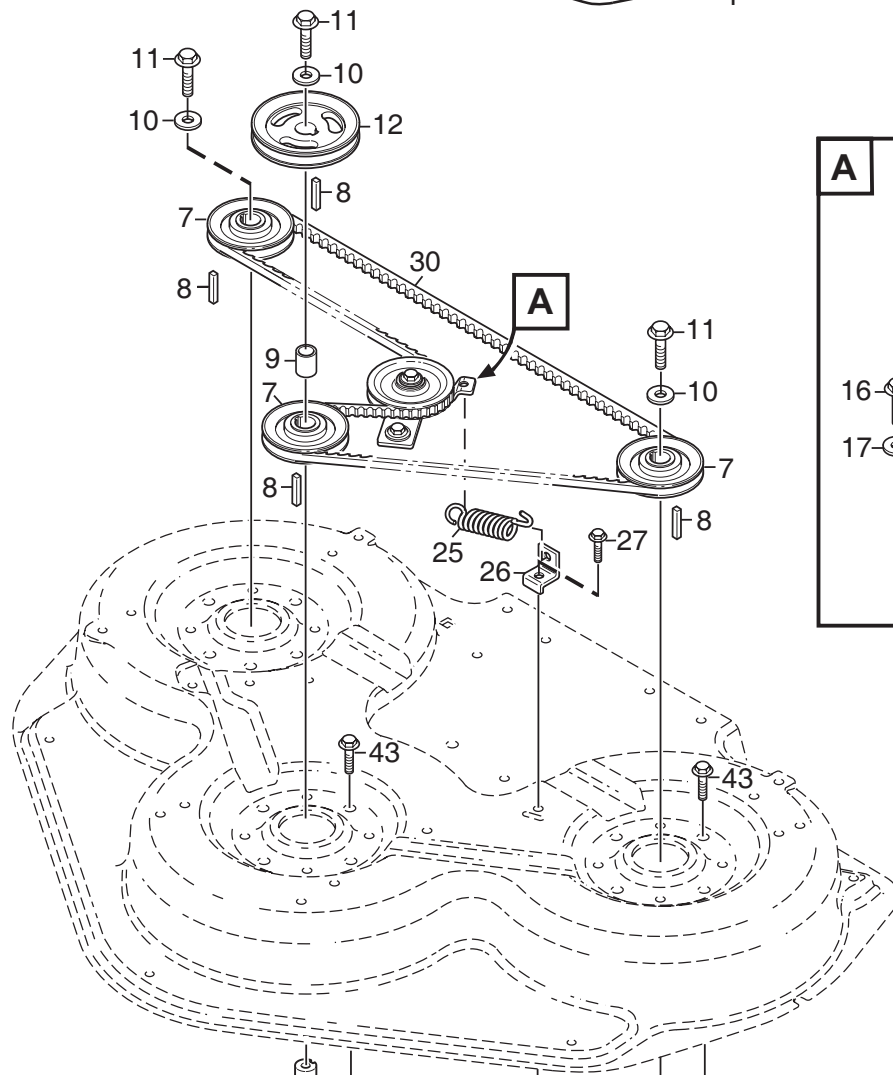
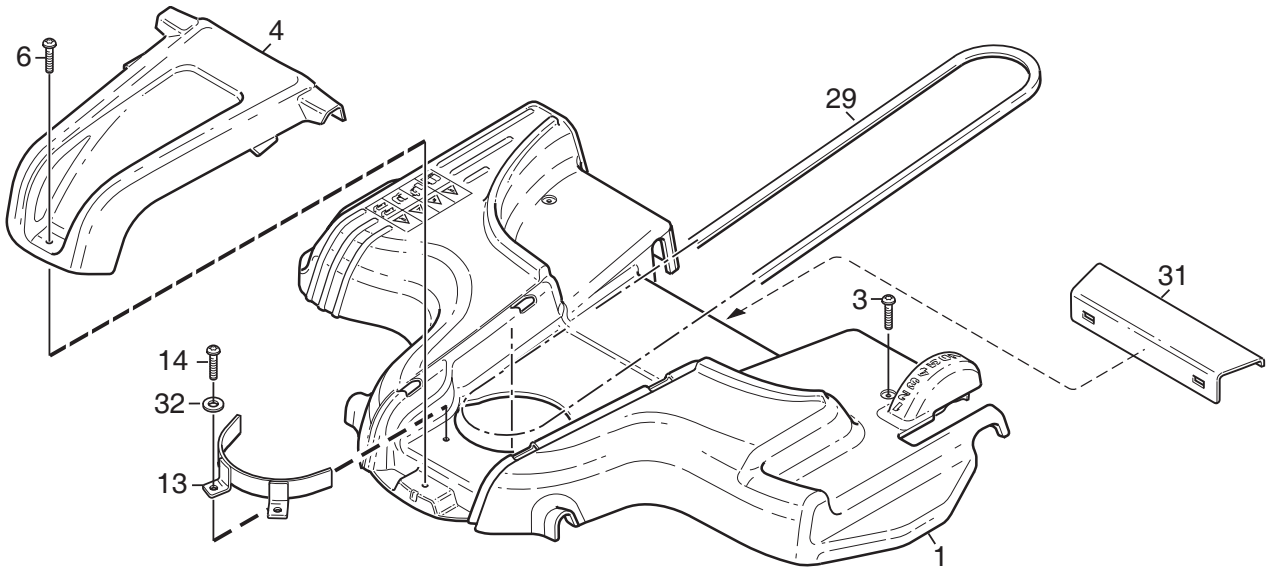
X
X



Utgåva Issue 2011- 11		Bildnr Picture No 2001		PARK KLIPPAGGREGAT 110 COMBI PRO REGLAGE		PARK MOWER DECK 110 COMBI PRO CONTROLS		Sida Page 218	
Pos. Fig.	Antal/Quantity				Art nr Part No	Benämning	Description	Sats Kit	Anmärkning Notes
	2931 -44								
1	1				1134-5447-01	Höjdinst.segment	Height adj. quadrant.....		
2	2				9959-0816-16	Skruv	Screw		
3	2				9739-0831-22	Mutter.....	Nut		
4	1				1134-5503-01	Handtag	Handle.....		
5	1				1134-3051-01	Spärrknapp.....	Locking knob		
6	1				1134-5445-01	Fjäder.....	Spring		
7	1				1134-5444-01	Tryckstång	Push rod		
8	1				1134-5440-01	Spärr	Catch		
9	1				9997-0840-16	Skruv	Screw		
10	1				1134-1565-13	Distans	Spacer		
11	1				9699-0028-02	Planbricka.....	Flat washer.....		
12	1				9747-0831-02	Mutter.....	Lock nut		
13	1				1134-7602-01	Bakaxel	Rear axle		
14	4				1134-5469-01	Lagerhalva	Bearing half		
15	2				1134-5471-01	Överfall- bakre	Bearing plate- rear		
16	4				9997-0845-12	Skruv	Screw		
17	4				9739-0831-22	Mutter.....	Nut		
18	2				1134-5473-01	Tryckstång	Push rod		
19	4				9570-0002-00	Vinkellänk	Elbow link		
20	4				9739-0831-22	Mutter.....	Nut		
21	1				1134-5855-01	Länkarm	Pivot arm		
22	1				1134-5858-01	Pivotfäste.....	Pivot shaft.....		
23	1				9997-0880-16	Skruv	Screw		
24	1				1134-5127-01	Bricka	Washer		
26	2				9959-0816-16	Skruv	Screw		
27	3				9739-0831-22	Mutter.....	Nut		
28	1				1134-5427-01	Framaxel	Front axle		
29	4				1134-5469-01	Lagerhalva	Bearing half		
30	1				1134-5846-01	Överfall- främre.....	Bearing plate- front		
31	4				9997-0845-12	Skruv	Screw		
32	4				9739-0831-22	Mutter.....	Nut		
33	1				9699-0087-02	Planbricka.....	Flat washer.....		
34	4				9747-0831-02	Mutter.....	Lock nut		
35	1				1134-6128-01	Täckplåt	Cover plate.....		
36	2				9959-0816-16	Skruv	Screw		
37	2				9739-0831-22	Mutter.....	Nut		



Utgåva Issue 2011-11		Bildnr Picture No 2002A		PARK KLIPPAGGREGAT 110 COMBI PRO EL. REGLAGE		PARK MOWER DECK 110 COMBI PRO EL. CONTROL		Sida Page 220	
Pos. Fig.	Antal/Quantity				Art nr Part No	Benämning	Description	Sats Kit	Anmärkning Notes
	2932 -44								
1	1				1134-6416-01	Ställdon	Actuator		L = 835 mm
1A	1				1134-6373-01	• Kolvstångsända	• Rod end		
1B	1				1134-6418-01	• Kabel	• Cable		
1C	1				1134-6182-01	•• Hankontakt	•• Male terminal		
3	1				9646-0098-22	Nit	Rivet		
5	1				9646-0105-22	Nit	Rivet		
6	2				9675-0012-02	Starlock	Locking washer		
7	1				1134-5981-01	Fäste	Bracket		
8	2				9959-0816-16	Skruv	Screw		
9	2				9739-0831-22	Mutter	Nut		
13	1				1134-7603-01	Bakaxel	Rear axle		
14	4				1134-5469-01	Lagerhalva	Bearing half		
15	2				1134-5471-01	Överfall- bakre	Bearing plate- rear		
16	4				9997-0845-12	Skruv	Screw		
17	4				9739-0831-22	Mutter	Nut		
18	2				1134-5473-01	Tryckstång	Push rod		
19	4				9570-0002-00	Vinkellänk	Elbow link		
20	4				9739-0831-22	Mutter	Nut		
21	1				1134-5855-01	Länkarm	Pivot arm		
22	1				1134-5858-01	Pivotfäste	Pivot shaft		
23	1				9997-0880-16	Skruv	Screw		
24	1				1134-5127-01	Bricka	Washer		
26	2				9959-0816-16	Skruv	Screw		
27	3				9739-0831-22	Mutter	Nut		
28	1				1134-5427-01	Framaxel	Front axle		
29	4				1134-5469-01	Lagerhalva	Bearing half		
30	1				1134-5846-01	Överfall- främre	Bearing plate- front		
31	4				9997-0845-12	Skruv	Screw		
32	4				9739-0831-22	Mutter	Nut		
34	4				9747-0831-02	Mutter	Lock nut		
35	1				1134-5847-01	Fjäder	Spring		



Utgåva Issue 2011-11		Bildnr Picture No 2194B		PARK KLIPPAGGREGAT 110 COMBI PRO TRANSMISSION		PARK MOWER DECK 110 COMBI PRO TRANSMISSION		Sida Page 222	
Pos. Fig.	Antal/Quantity			Art nr Part No	Benämning	Description	Sats Kit	Anmärkning Notes	
	2931 -44	2932 -44							
X	1	1		1137-0266-01	Transmissionskåpa	Transmission cover			
X	1		1	1137-0267-01	Transmissionskåpa	Transmission cover			
	3		2	9893-0616-16	Skruv	Screw			
X	4	1	1	1137-0269-01	Täckkåpa	Cover			
X	7	3	3	1137-0015-01	Remskiva	Belt pulley		Ø = 106 mm	
	8	4	4	9600-0171-01	Plattkil	Flat key		6 x 6 x 25 mm	
	9	1	1	1134-5400-03	Distans	Spacer		L = 20 mm	
	10	3	3	1134-5406-01	Bricka	Washer			
	11	3	3	9997-1060-12	Skruv	Screw			
X	12	1	1	1137-0016-01	Remskiva	Belt pulley		Ø = 140 mm	
	13	1	1	1134-6017-01	Remstyrning	Belt guide			
	14	2	2	9893-0616-16	Skruv	Screw			
	15	1	1	1134-0325-04	• Spännarm	• Tension arm			
	16	1	1	9959-0816-16	Skruv	Screw			
	17	1	1	9699-0109-02	Planbricka	Flat washer			
	18	1	1	9739-0831-22	Mutter	Nut			
	19	1	1	1134-7611-01	Spännrulle kpl.	Tension roller assy		Inkl. 15,20-21,23-24	
X	20	1	1	9549-0061-01	• Kullager	• Ball bearing			
	21	1	1	9651-0035-04	• Låsring	• Lock ring			
	22	1	1	1134-7618-01	Distans	Spacer			
	23	1	1	9945-0816-16	• Skruv	• Screw			
	24	1	1	9699-0056-02	• Planbricka	• Flat washer			
	25	1	1	1134-0327-00	Kåpfjäder	Spring			
	26	1	1	1134-5415-01	Fjäderfäste	Spring attachment			
	27	1	1	9959-0816-16	Skruv	Screw			
	28	1	1	9739-0831-22	Mutter	Nut			
	29	1	1	1134-9108-01	Kilrem (4WD)	V- belt (4WD)		= 9585-0159-01	
	29	1	1	1134-9151-01	Kilrem (2WD)	V- belt (2WD)		= 9585-0201-01	
	30	1	1	1134-9041-01	Kilrem	V- belt		= 9585-0067-00	
	31	1	1	1134-6103-01	Slitskydd	Wear protection			
	32	1	1	9699-0060-02	Planbricka	Flat washer			
	41	2	2	1134-5831-01	Lagerbox kpl.	Bearing box assy			
	42	1	1	1134-5831-02	Lagerbox kpl.	Bearing box assy			
	43	12	12	9945-0825-16	Skruv	Screw			
	44	1	1	1134-9124-01	Knivsats	Blade kit		Sats 3 st/kit of 3	
	45	3	3	9997-1060-12	Skruv	Screw			
	46	3	3	1134-6211-01	Knivbricka	Blade washer			