

GENUINE SPARE PARTS

Premium 4800 SHX Model Year 2011

- Use GLOBAL GARDEN PRODUCT Genuine Spare Parts specified in the parts list for repair and/or replacement.
- The contents described in the parts list may change due to improvement.
- The drawings of the spare parts are only indicative and might not represent the part in question exactly.
- The indications "right" - "left" - "front" - "rear" refer to the position of the operator when using the machine.
- When placing orders of parts for repair and/or replacement, make sure that the illustrated parts list is the one applying to the machine's year of manufacture, as shown on the identification plate attached to the machine.

COPYRIGHT by GLOBAL GARDEN PRODUCTS

All rights reserved. No part of this material may be reproduced or transmitted, in any form or by any means, electronic or mechanical, including photocopying, recording or by any information storage and retrieval system, without permission in writing from GLOBAL GARDEN PRODUCTS.

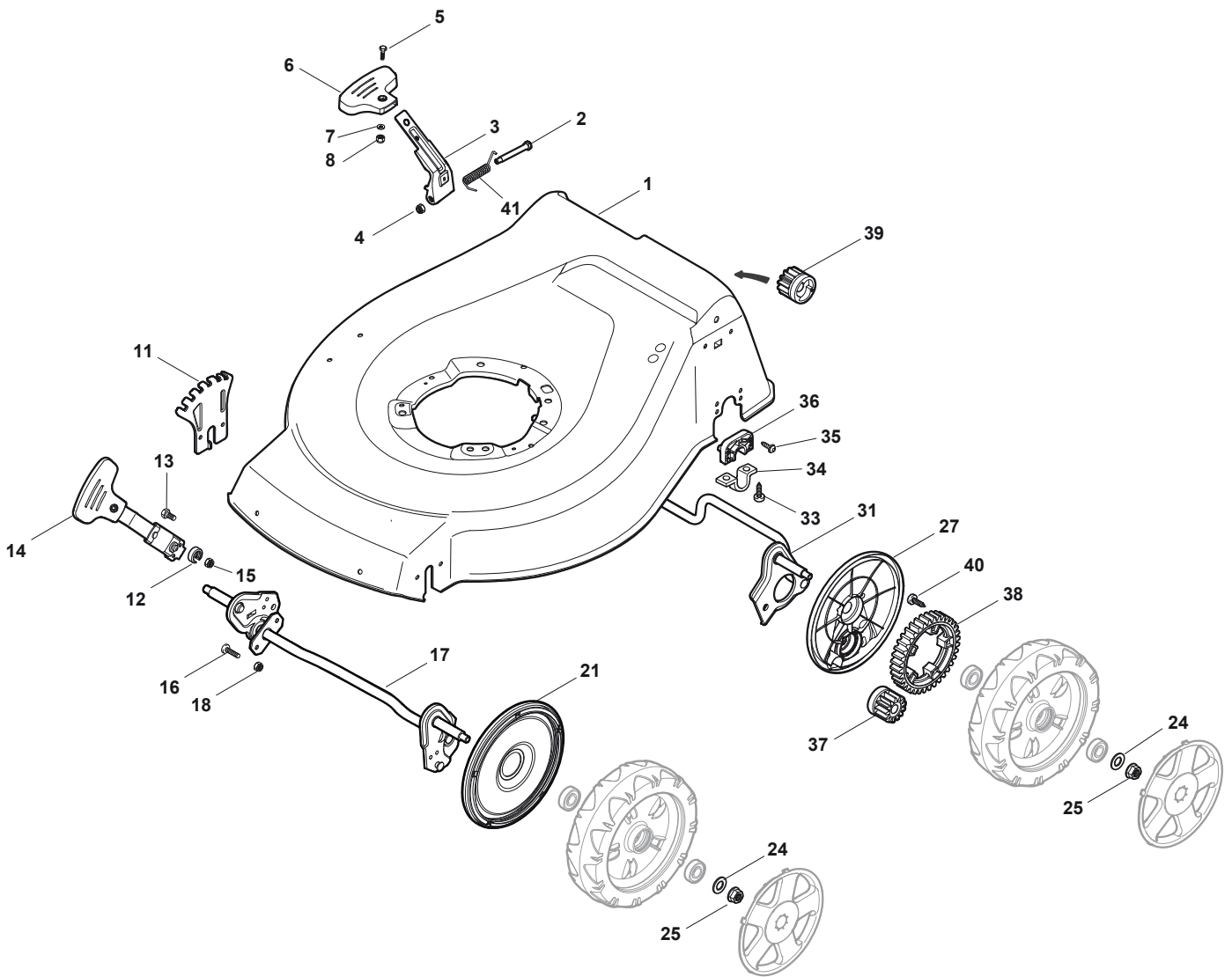
...THINKING GREEN





Premium 4800 SHX

Deck And Height Adjusting





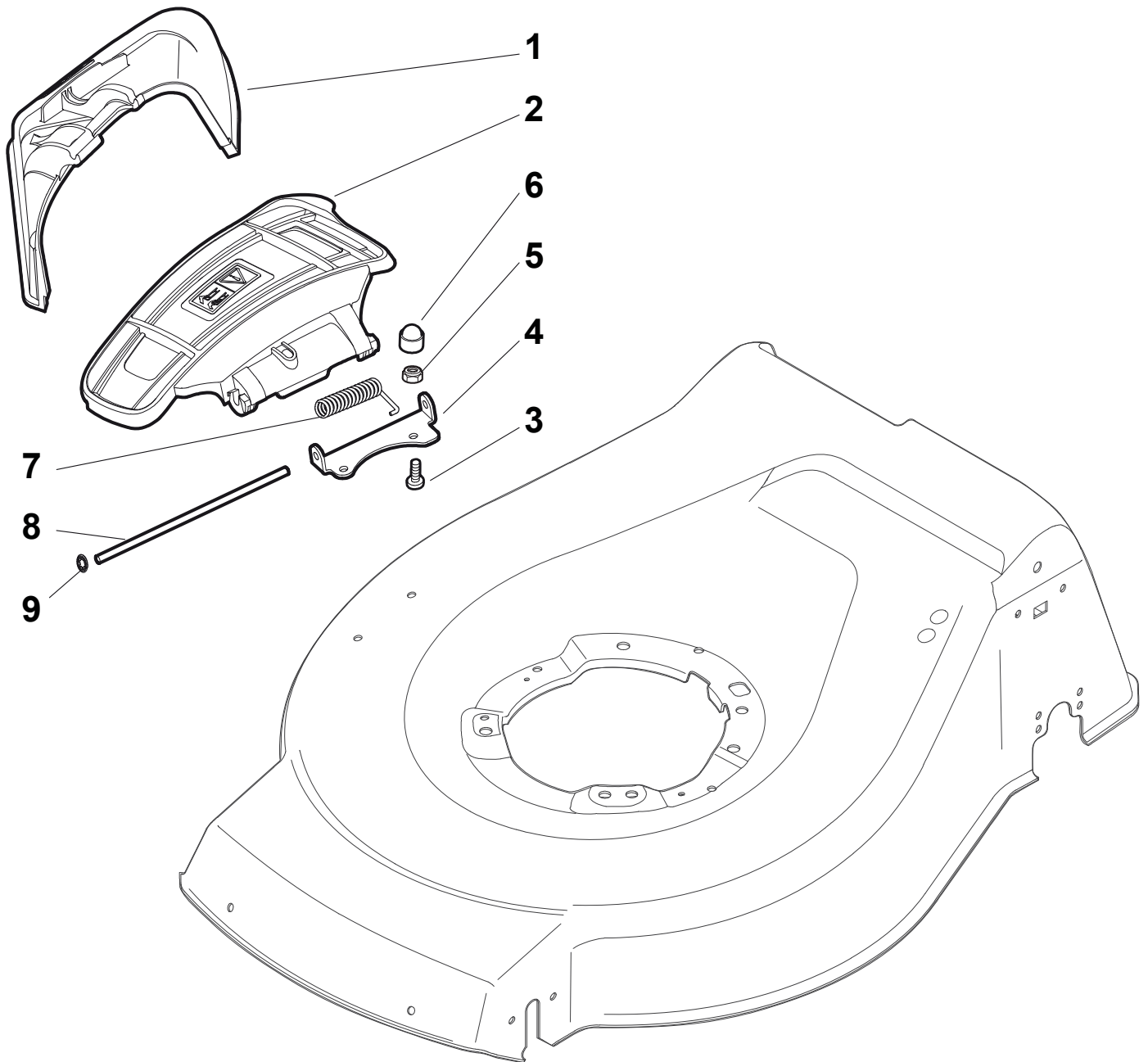
Premium 4800 SHX

Deck And Height Adjusting

| Pos. | Part no. | Q.ty | Description | Remarks |
|------|-------------|------|---------------------------|---------|
| 1 | 381003912/0 | 1 | Deck Red | |
| 1 | 381003917/0 | 1 | Deck Black | |
| 2 | 122534131/0 | 1 | Pin | |
| 3 | 322322851/0 | 1 | Lever, Height Adjustment | |
| 4 | 12154510/0 | 1 | Nut | |
| 5 | 12788512/0 | 1 | Screw | |
| 6 | 322394503/0 | 1 | Knob | |
| 7 | 12521310/0 | 1 | Washer | |
| 8 | 12150000/0 | 1 | Nut | |
| 11 | 322735587/0 | 1 | Sector, Height Adjustment | |
| 12 | 22171002/0 | 2 | Spacer | |
| 13 | 12789000/0 | 2 | Screw | |
| 14 | 381003351/0 | 1 | Lever, Height Adjustment | |
| 15 | 12154330/0 | 2 | Nut | |
| 16 | 112727803/0 | 4 | Screw | |
| 17 | 381002881/1 | 1 | Axle, Front Wheels | |
| 18 | 12154510/0 | 4 | Nut | |
| 21 | 322600145/0 | 2 | Protection, Wheel | |
| 24 | 12521350/0 | 4 | Washer | |
| 25 | 12155000/0 | 4 | Nut | |
| 27 | 322600207/0 | 2 | Protection, Wheel | |
| 31 | 381302827/0 | 1 | Axle, Rear Wheels | |
| 33 | 112728697/0 | 4 | Screw | |
| 34 | 22545152/0 | 2 | Plate | |
| 35 | 112728697/0 | 4 | Screw | |
| 36 | 322785304/0 | 2 | Support | |
| 37 | 22570120/1 | 1 | Pinion L | |
| 38 | 322120114/0 | 2 | Ring Gear | |
| 39 | 22570110/1 | 1 | Pinion R | |
| 40 | 112728706/0 | 6 | Screw | |
| 41 | 122446192/0 | 1 | Spring | |



Premium 4800 SHX
Ejection-Guard





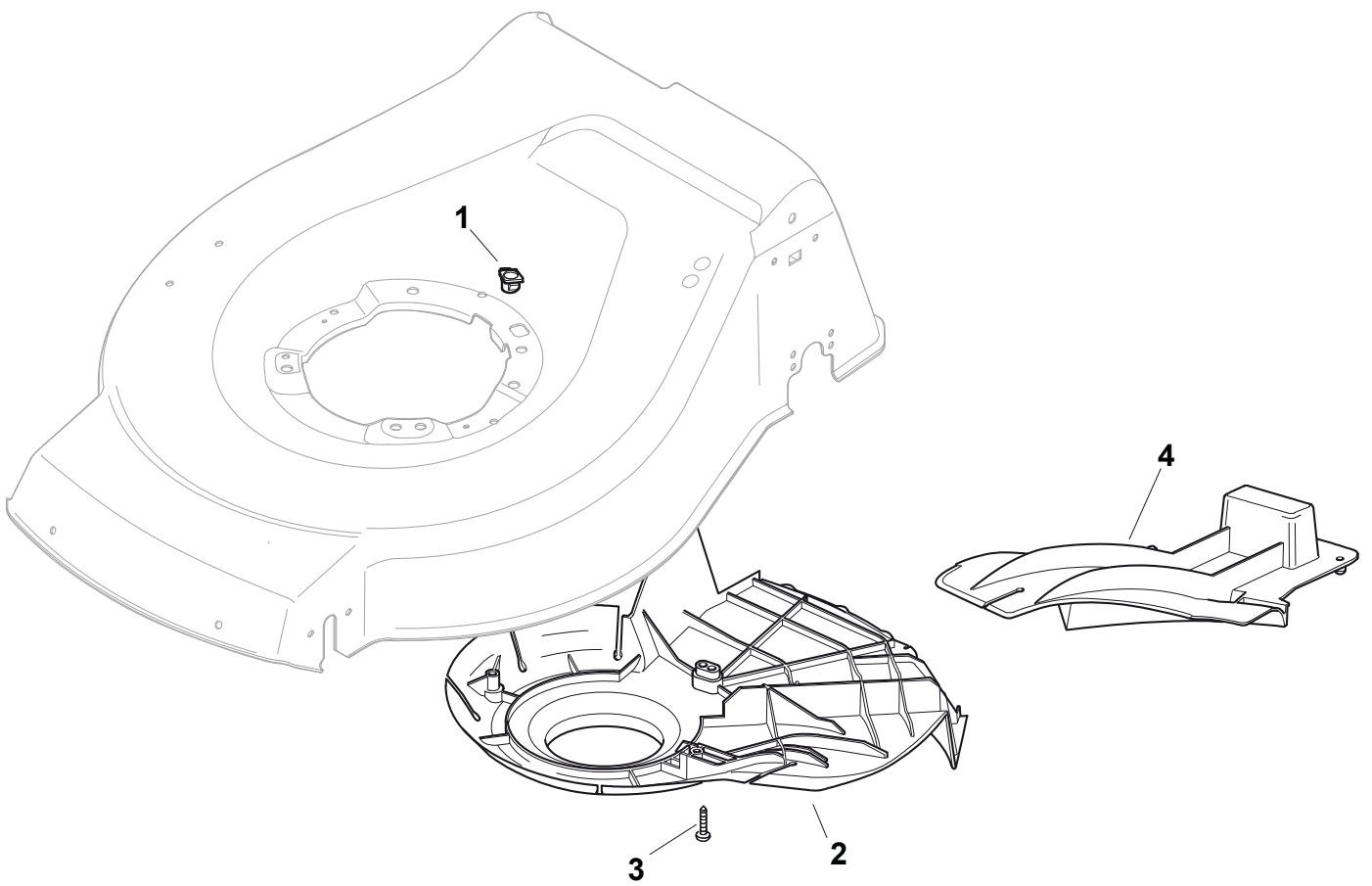
Premium 4800 SHX

Ejection-Guard

| Pos. | Part no. | Q.ty | Description | Remarks |
|------|-------------|------|----------------|---------|
| 1 | 322108295/0 | 1 | Stone-Guard | |
| 2 | 322600195/0 | 1 | Ejection Guard | |
| 3 | 112727803/0 | 2 | Screw | |
| 4 | 322806639/0 | 1 | Fulcrum Pin | |
| 5 | 12154510/0 | 2 | Nut | |
| 6 | 18203853/0 | 2 | Protection | |
| 7 | 122450456/0 | 1 | Spring | |
| 8 | 122517869/0 | 1 | Pin | |
| 9 | 12604896/0 | 2 | Crown Fastener | |



Premium 4800 SHX
Protection, Belt





Premium 4800 SHX

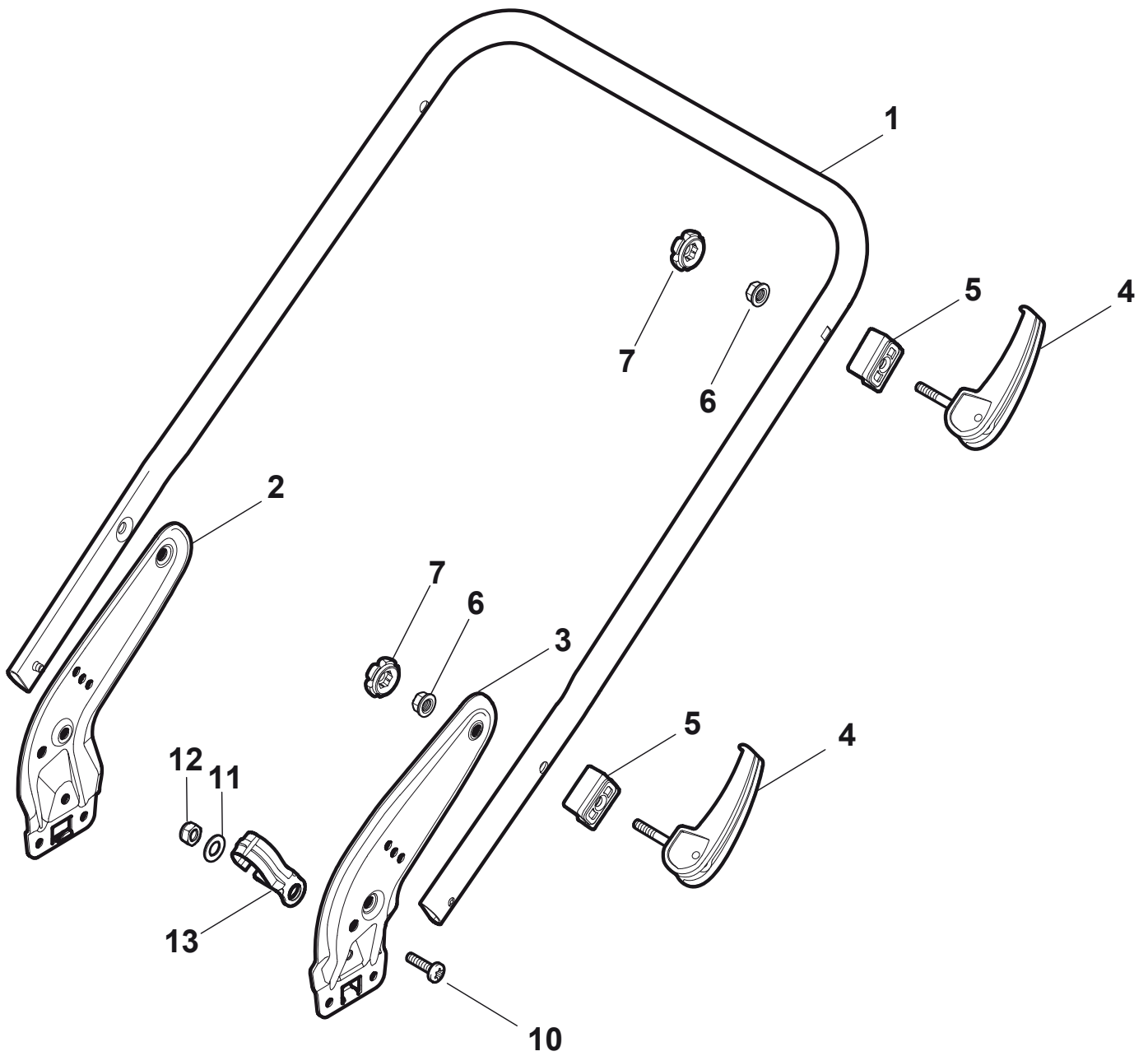
Protection, Belt

| Pos. | Part no. | Q.ty | Description | Remarks |
|------|------------|------|---------------|---------|
| 1 | 22291150/0 | 1 | Rubber Insert | |
| 2 | 22060198/0 | 1 | Protection | |
| 3 | 12728530/0 | 3 | Screw | |
| 4 | 22140223/0 | 1 | Deflector | |



Premium 4800 SHX

Handle, Lower Part





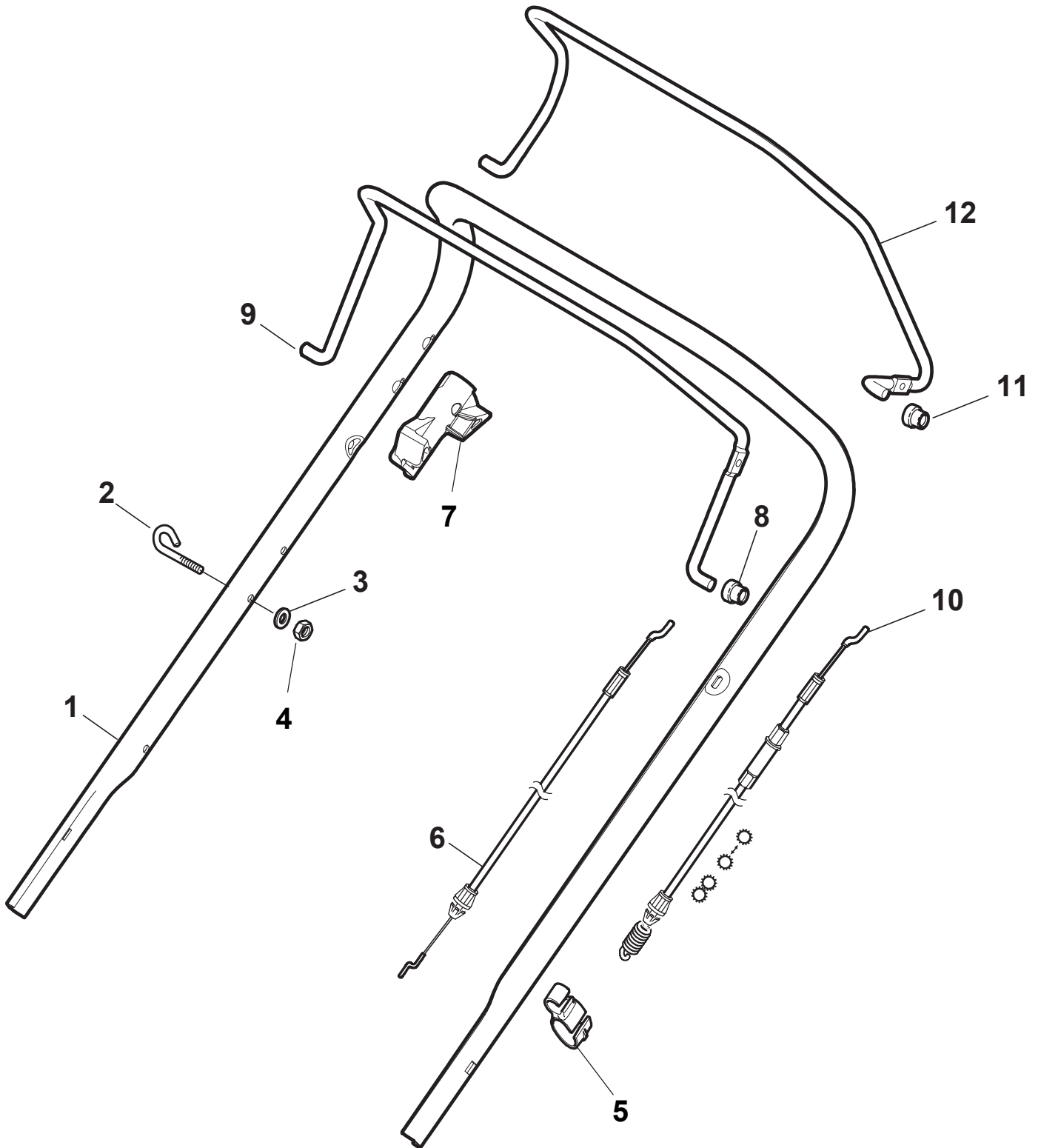
Premium 4800 SHX

Handle, Lower Part

| Pos. | Part no. | Q.ty | Description | Remarks |
|------|-------------|------|--------------------|---------|
| 1 | 381006719/0 | 1 | Handle, Lower Part | |
| 2 | 381005149/0 | 1 | Bracket, R | |
| 3 | 381005151/0 | 1 | Bracket, L | |
| 4 | 381003253/0 | 4 | Handle | |
| 5 | 322680016/0 | 4 | Support | |
| 6 | 22131750/0 | 4 | Nut | |
| 7 | 322399835/0 | 4 | Knob | |
| 10 | 12760605/0 | 2 | Screw | |
| 11 | 25038002/1 | 2 | Bush | |
| 12 | 12155000/0 | 2 | Nut | |
| 13 | 322192156/0 | 1 | Fair Led | |



Premium 4800 SHX
Handle, Upper Part





Premium 4800 SHX

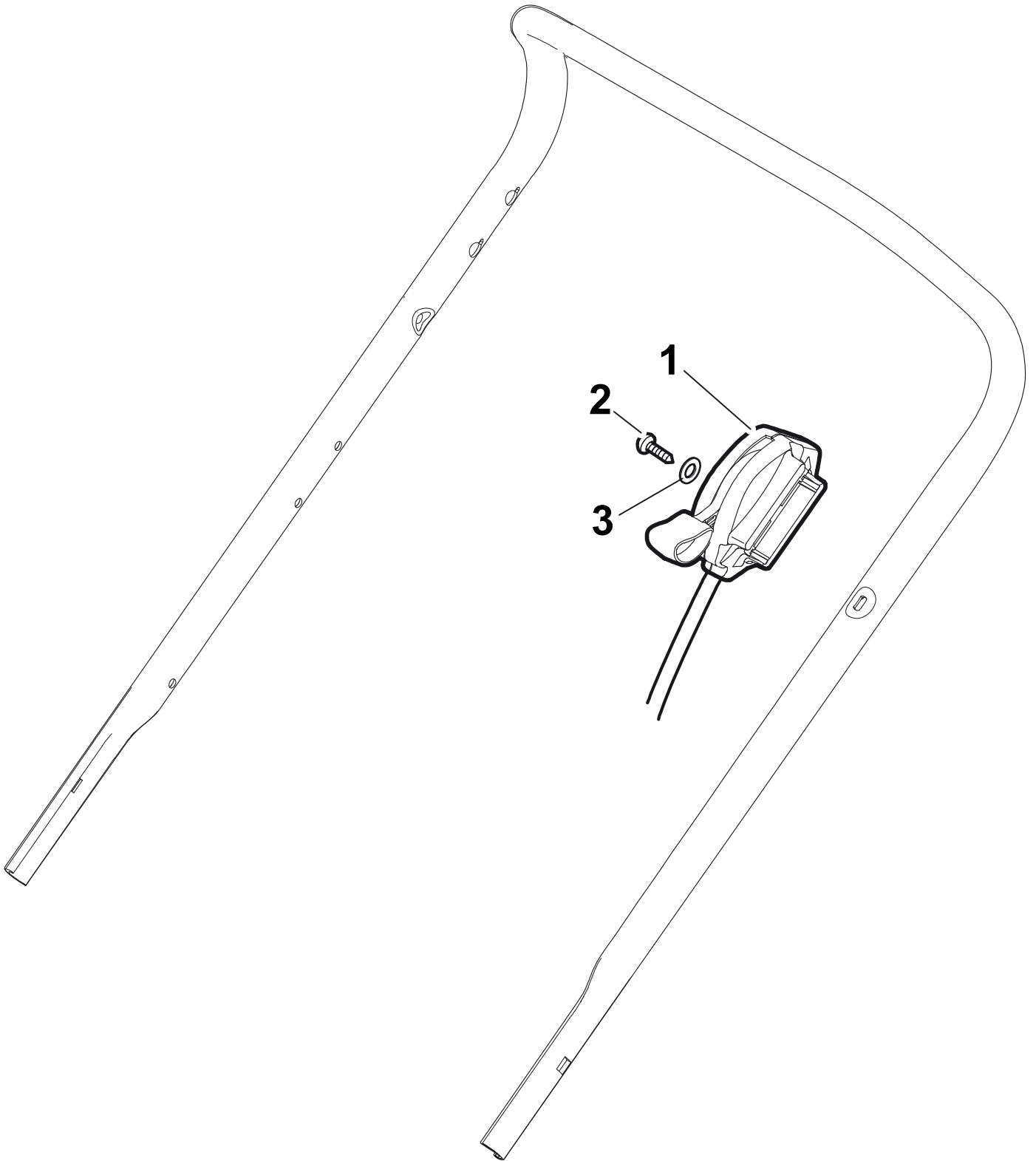
Handle, Upper Part

| Pos. | Part no. | Q.ty | Description | Remarks |
|------|-------------|------|--------------------------|---------|
| 1 | 381006887/0 | 1 | Handle, Upper Part | |
| 2 | 22430313/0 | 1 | Guide Spring | |
| 3 | 12521330/0 | 1 | Washer | |
| 4 | 12154510/0 | 1 | Nut | |
| 5 | 118390020/0 | 1 | Fairlead | |
| 6 | 181030070/0 | 1 | Cable, Thread Eng. Brake | |
| 7 | 322545204/0 | 1 | Fulcrum Pin | |
| 8 | 22041966/0 | 2 | Bush | |
| 9 | 181003300/0 | 1 | Lever, Engine Brake | |
| 10 | 381030051/0 | 1 | Cable, Rear Drive | |
| 11 | 22041966/0 | 2 | Bush | |
| 12 | 181003301/0 | 1 | Lever, Driving | |
| 14 | 22551640/0 | 1 | Plate | |
| 15 | 12728640/0 | 1 | Screw | |



Premium 4800 SHX

Controls





Premium 4800 SHX

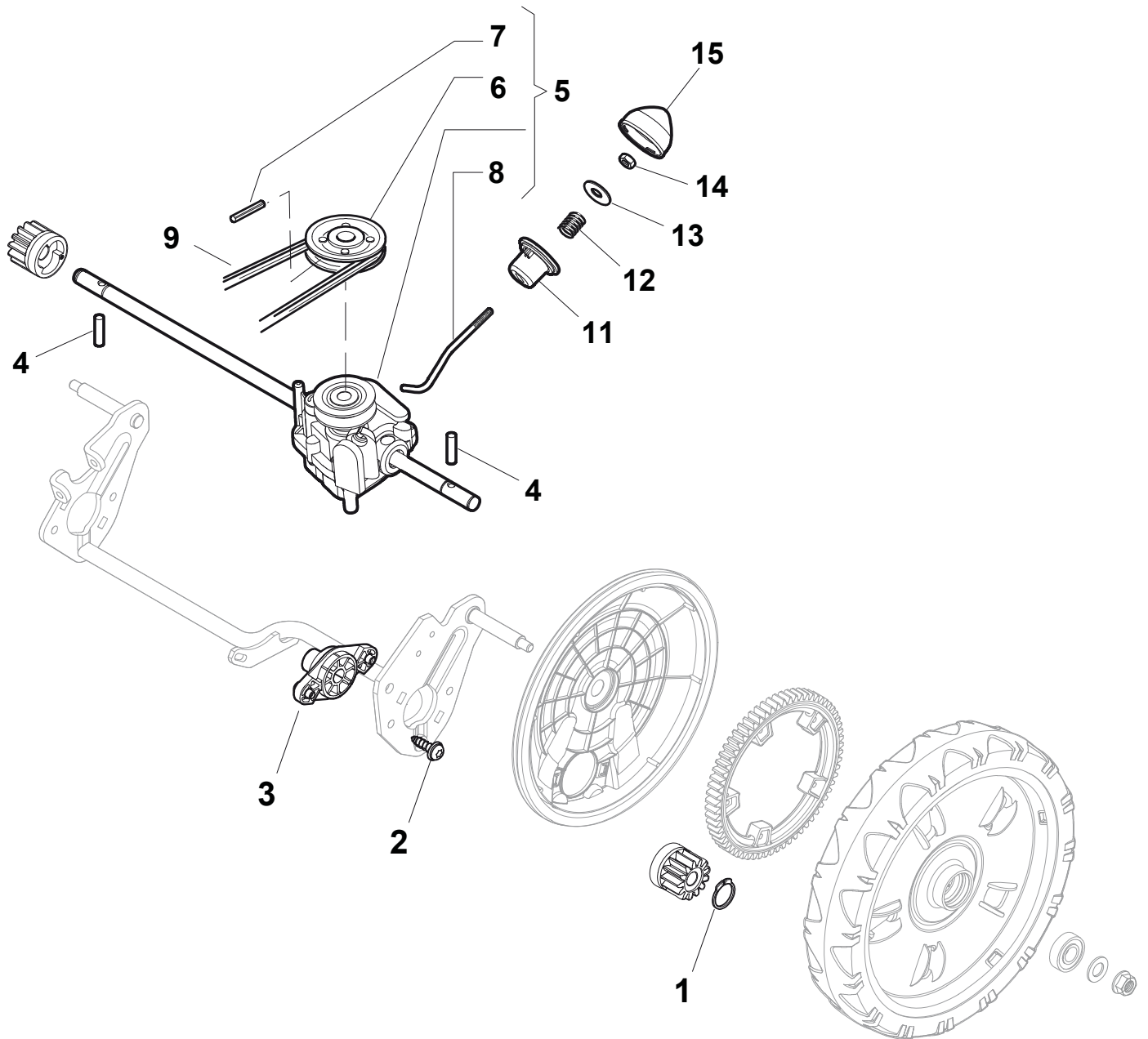
Controls

| Pos. | Part no. | Q.ty | Description | Remarks |
|------|-------------|------|----------------|---------|
| 1 | 181005501/1 | 1 | Throttle Cable | |
| 2 | 12735103/0 | 1 | Screw | |
| 3 | 12523040/0 | 1 | Washer | |



Premium 4800 SHX

Rear Drive





Premium 4800 SHX

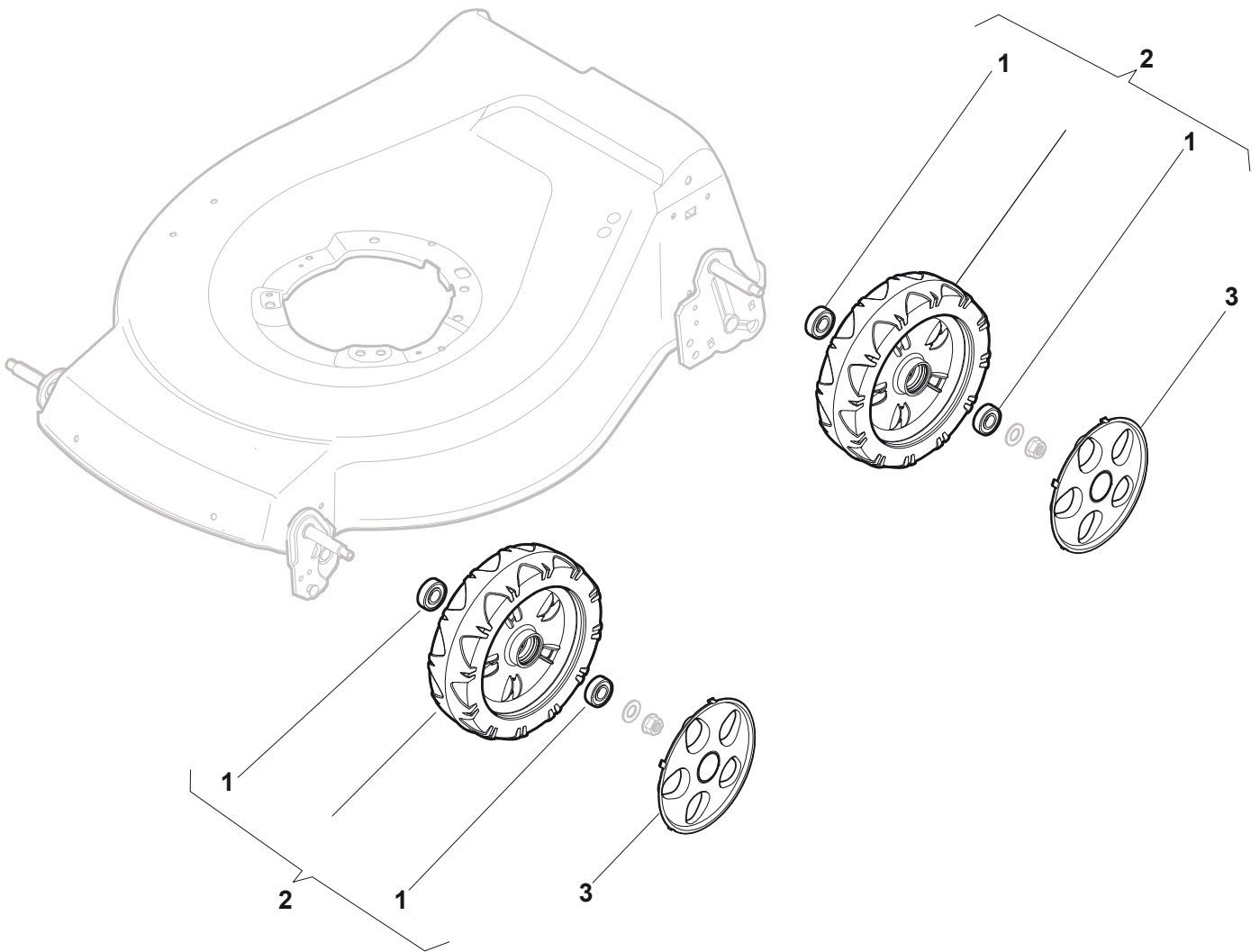
Rear Drive

| Pos. | Part no. | Q.ty | Description | Remarks |
|------|-------------|------|----------------|---------|
| 1 | 12608600/0 | 2 | Seeger | |
| 2 | 112728697/0 | 4 | Screw | |
| 3 | 322042063/0 | 2 | Bush | |
| 4 | 22753000/0 | 2 | Pin | |
| 5 | 81003092/0 | 1 | Gear Box | |
| 6 | 22601904/0 | 1 | Pulley | |
| 7 | 12645700/0 | 1 | Pin | |
| 8 | 22033283/0 | 1 | Adjustment Rod | |
| 9 | 35063800/0 | 1 | Belt Z 27 | |
| 11 | 22041957/1 | 1 | Bush | |
| 12 | 22450063/0 | 1 | Spring | |
| 13 | 22680009/0 | 1 | Washer | |
| 14 | 12154510/0 | 1 | Nut | |
| 15 | 22110230/0 | 1 | Cap | |



Premium 4800 SHX

Wheel and Hub Cap





Premium 4800 SHX

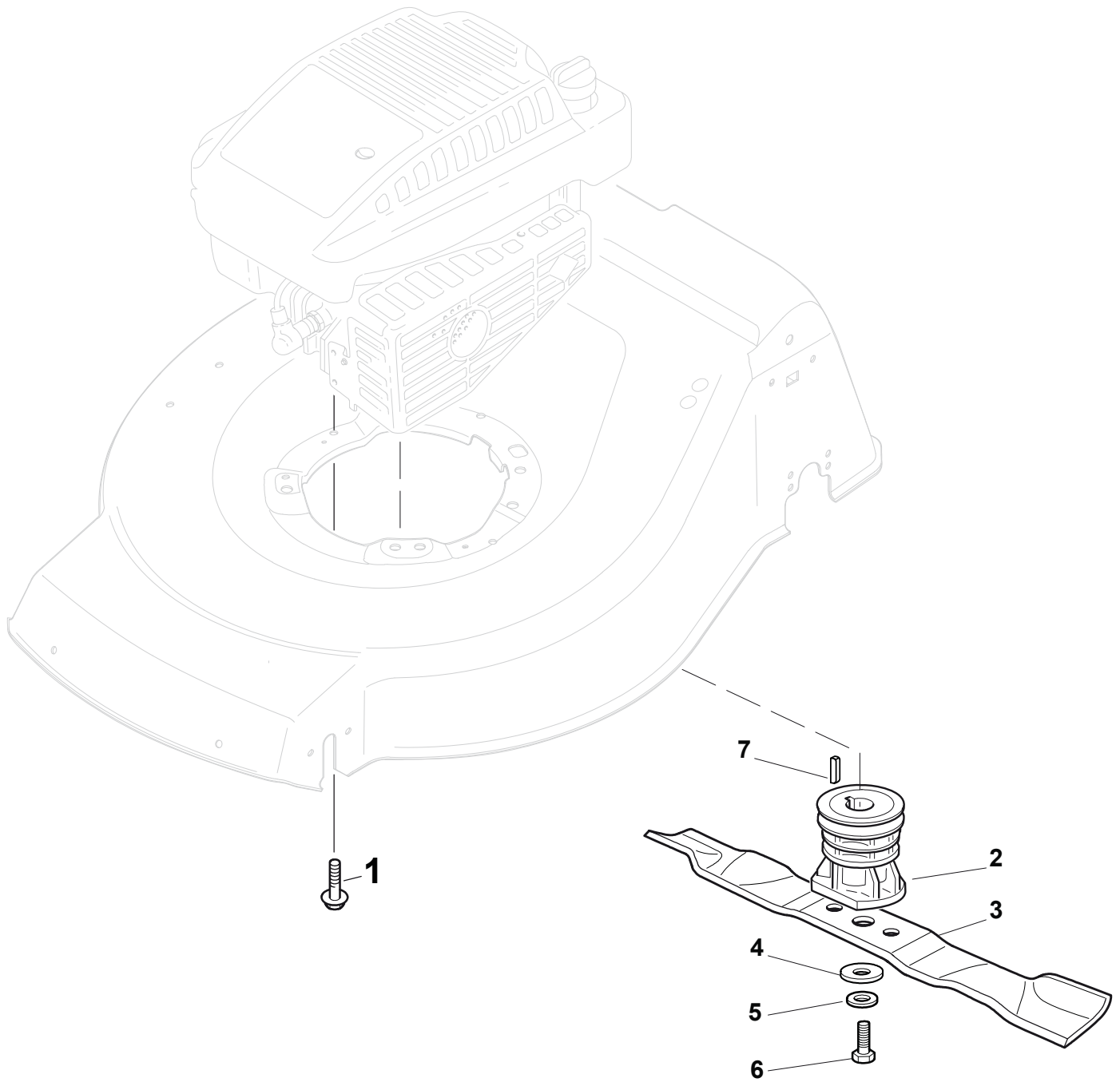
Wheel and Hub Cap

| Pos. | Part no. | Q.ty | Description | Remarks |
|------|-------------|------|-------------|---------|
| 1 | 19216035/0 | 8 | Bearing | |
| 2 | 381007416/1 | 4 | Ruota Ø 200 | |
| 3 | 22110417/0 | 4 | Hub Cap | |



Premium 4800 SHX

Blade





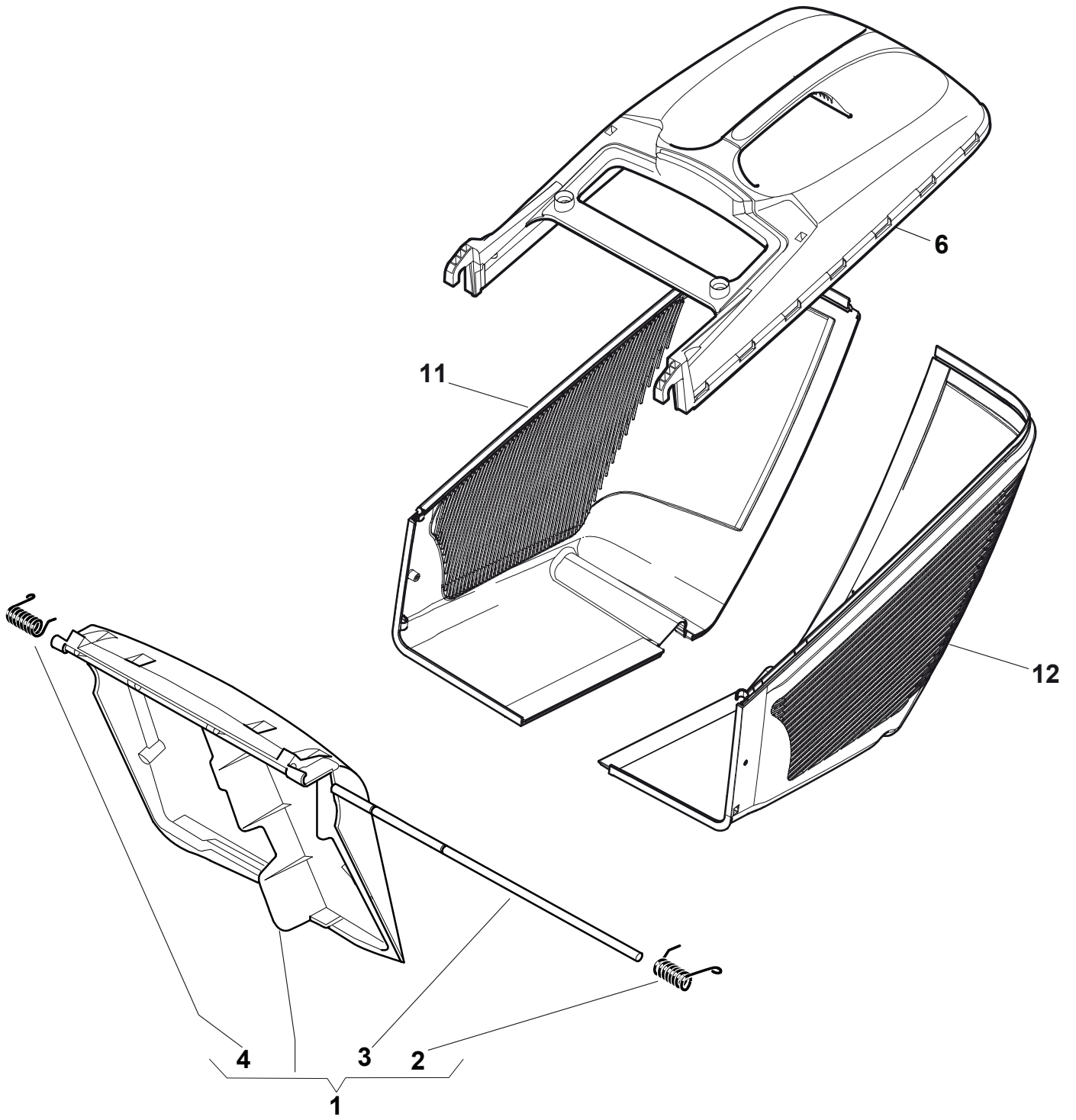
Premium 4800 SHX

Blade

| Pos. | Part no. | Q.ty | Description | Remarks |
|------|-------------|------|----------------------------------|---------|
| 1 | 112735108/1 | 3 | Screw | |
| 2 | 122465608/2 | 1 | Hub With Pulley, Crankshaft Ø 25 | |
| 3 | 181004458/0 | 1 | Blade Standard | |
| 4 | 22160400/0 | 1 | Dust Cover | |
| 5 | 12523080/0 | 1 | Washer | |
| 6 | 12735698/0 | 1 | Screw | |
| 7 | 12139150/0 | 1 | Feather, Crankshaft Ø 25 | |



Premium 4800 SHX
Grass-Catcher





Premium 4800 SHX

Grass-Catcher

| Pos. | Part no. | Q.ty | Description | Remarks |
|------|-------------|------|--------------------|---------|
| 1 | 381008081/1 | 1 | Stone-Guard | |
| 2 | 122450466/0 | 1 | L Spring | |
| 3 | 122517882/0 | 1 | Pin | |
| 4 | 122450465/0 | 1 | R Spring | |
| 6 | 22486101/0 | 1 | Grass-Box, Upper | |
| 11 | 322486150/1 | 1 | Grass-Box, R Lower | |
| 12 | 322486151/1 | 1 | Grass-Box, L Lower | |