

REPAIR PARTS MANUAL
MODEL NO. RE145H92RBK (96061013004)
Lawn Tractor

Rally

HOW TO USE THIS MANUAL

This manual is designed to provide the customer with a means to identify the parts on his/her tractor when ordering repair parts. The illustrations may or may not represent the actual assemblies; therefore, it is not recommended to use this manual as a guide to assemble or disassemble the tractor. Some hardware and parts are drawn larger in order to more readily identify them.

Each tractor has its own model number.

The model number for your tractor can be found on the fender under the seat.

When ordering parts, always give the following information:

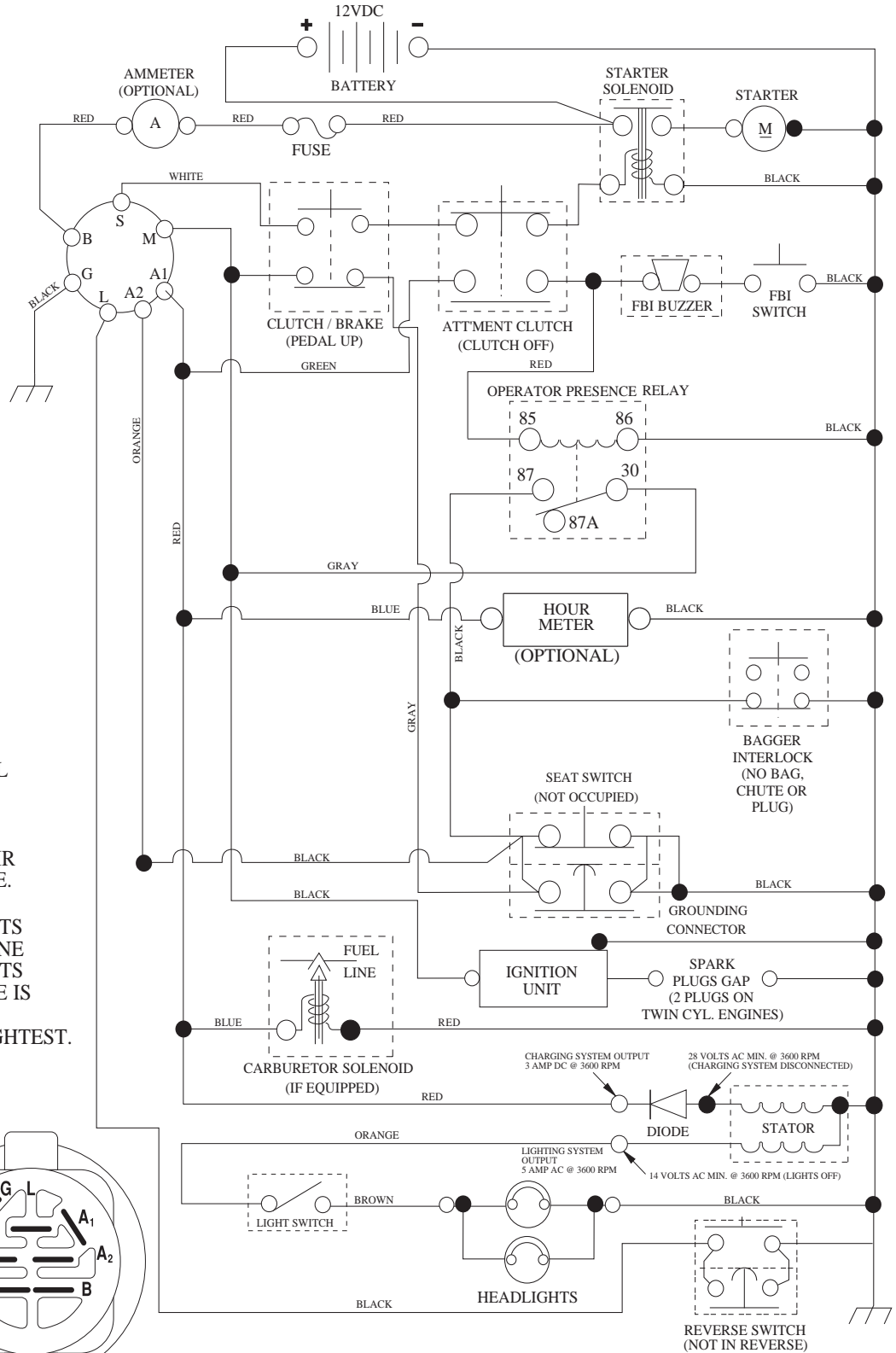
- Product - "Tractor"
- Model Number - "RE145H92RBK (96061013004)"
- Part Number
- Part Description

TABLE OF CONTENTS

| | |
|------------------|-------|
| SCHEMATIC | 3 |
| ELECTRICAL..... | 4-5 |
| CHASSIS | 6-7 |
| DRIVE..... | 8-9 |
| STEERING | 10-11 |
| ENGINE..... | 12-13 |
| SEAT | 14 |
| DECALS..... | 15 |
| MOWER DECK | 16-17 |
| BAGGER..... | 18 |
| MOWER LIFT..... | 19 |

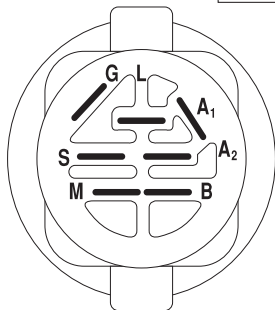
TRACTOR-MODEL NUMBER RE145H92RBK (96061013004), PRODUCT NO. 960 61 01-30 SCHEMATIC

SCH08



NOTE

YOUR TRACTOR IS EQUIPPED WITH A SPECIAL ALTERNATOR SYSTEM. THE LIGHTS ARE NOT CONNECTED TO THE BATTERY, BUT HAVE THEIR OWN ELECTRICAL SOURCE. BECAUSE OF THIS, THE BRIGHTNESS OF THE LIGHTS WILL CHANGE WITH ENGINE SPEED. AT IDLE THE LIGHTS WILL DIM. AS THE ENGINE IS SPEEDED UP, THE LIGHTS WILL BECOME THEIR BRIGHTEST.



IGNITION SWITCH

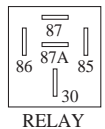
| POSITION | CIRCUIT | "MAKE" |
|--------------|------------|--------|
| OFF | M+G+A1 | |
| RUN/OVERRIDE | B+A1 | |
| RUN | B+A1 | L+A2 |
| START | B + S + A1 | |

WIRING INSULATED CLIPS

NOTE: IF WIRING INSULATED CLIPS WERE REMOVED FOR SERVICING OF UNIT, THEY SHOULD BE RE-INSTALLED TO PROPERLY SECURE YOUR WIRING.

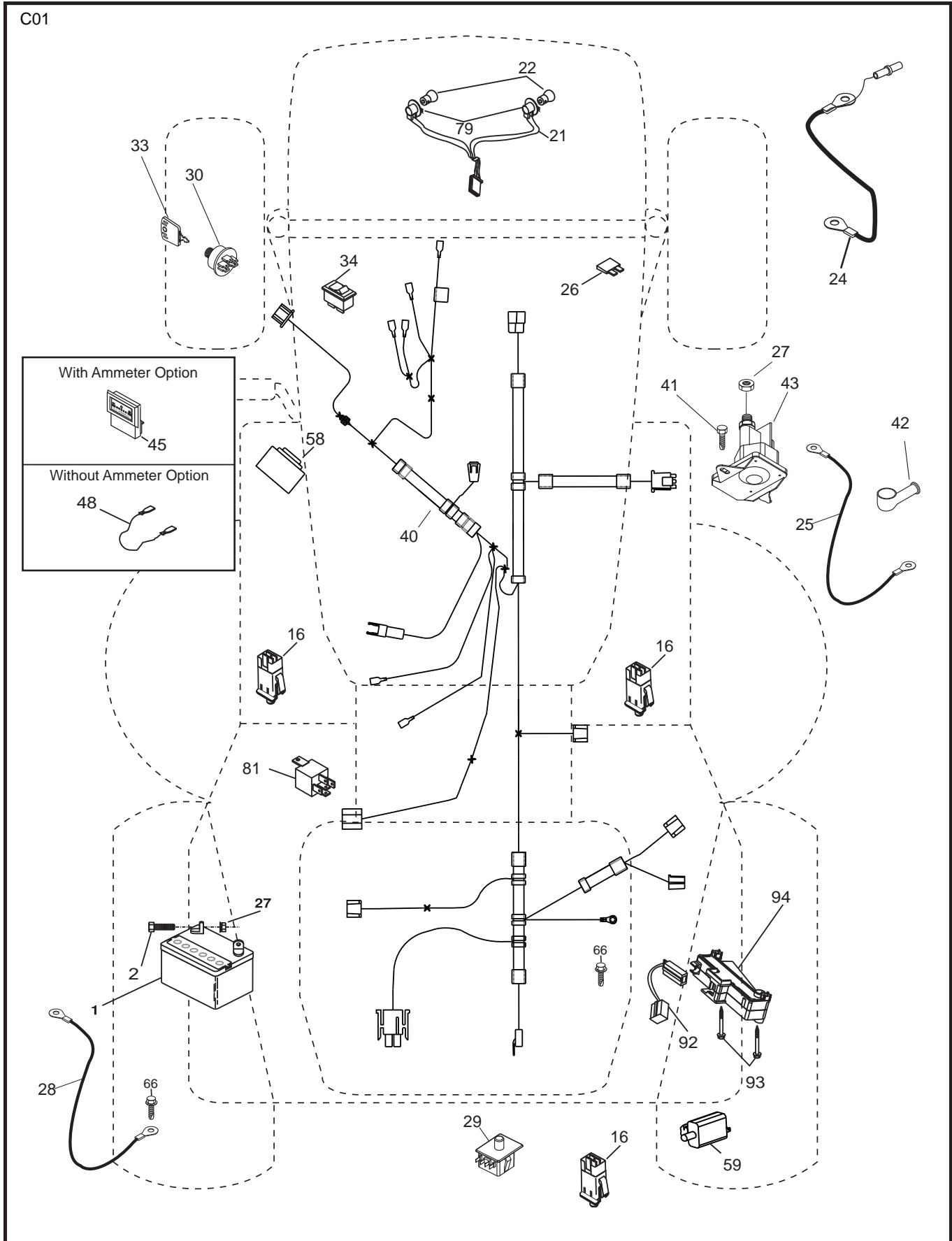
REMOVABLE CONNECTIONS

NON-REMOVABLE CONNECTIONS



RELAY

TRACTOR-MODEL NUMBER RE145H92RBK (96061013004), PRODUCT NO. 960 61 01-30
ELECTRICAL



**TRACTOR-MODEL NUMBER RE145H92RBK (96061013004), PRODUCT NO. 960 61 01-30
ELECTRICAL**

| KEY NO. | PART NO. | DESCRIPTION |
|----------------|-----------------|-----------------------------------|
| 1 | 532 16 34-65 | Battery |
| 2 | 874 76 04-12 | Bolt Hex Hd 1/4-20 unc x 3/4 |
| 16 | 532 17 61-38 | Switch Interlock |
| 21 | 532 18 37-59 | Harness Asm Light w/4152J |
| 22 | 532 00 41-52 | Bulb Light #1156 |
| 24 | 532 42 12-99 | Cable Starter 6 Ga. 11" Red |
| 25 | 532 16 59-87 | Cable Battery CRD 56" Red |
| 26 | 532 17 51-58 | Fuse |
| 27 | 873 51 04-00 | Nut Keps Hex 1/4-20 unc |
| 28 | 532 12 77-25 | Cable Ground 6 Ga. 18" Black |
| 29 | 532 19 27-49 | Switch Seat |
| 30 | 532 19 33-50 | Switch Ignition |
| 33 | 532 41 19-35 | Key/Chain |
| 34 | 532 11 07-12 | Switch Light |
| 40 | 532 19 74-36 | Harness Ign |
| 41 | 871 11 04-08 | Bolt Flk Fin Hex 1/4-20 unc x 1/2 |
| 42 | 532 13 15-63 | Cover Terminal Red |
| 43 | 532 19 25-07 | Solenoid |
| 48 | 532 14 08-44 | Adapter Ammeter Rectangular |
| 58 | 532 16 94-19 | Buzzer CRD |
| 59 | 532 18 03-79 | Switch FBI CRD |
| 66 | 817 49 06-08 | Screw Thdrol 3/8-16 x 1/2 Ty-Tt |
| 79 | 532 17 52-42 | Socket Asm Bulb Twistlock |
| 81 | 532 10 97-48 | Relay Asm |
| 92 | 532 19 66-15 | Harness Pigtail |
| 93 | 532 19 25-40 | Screw Plastite 10-14 x 2.0 |
| 94 | 532 19 18-34 | Module Reverse |

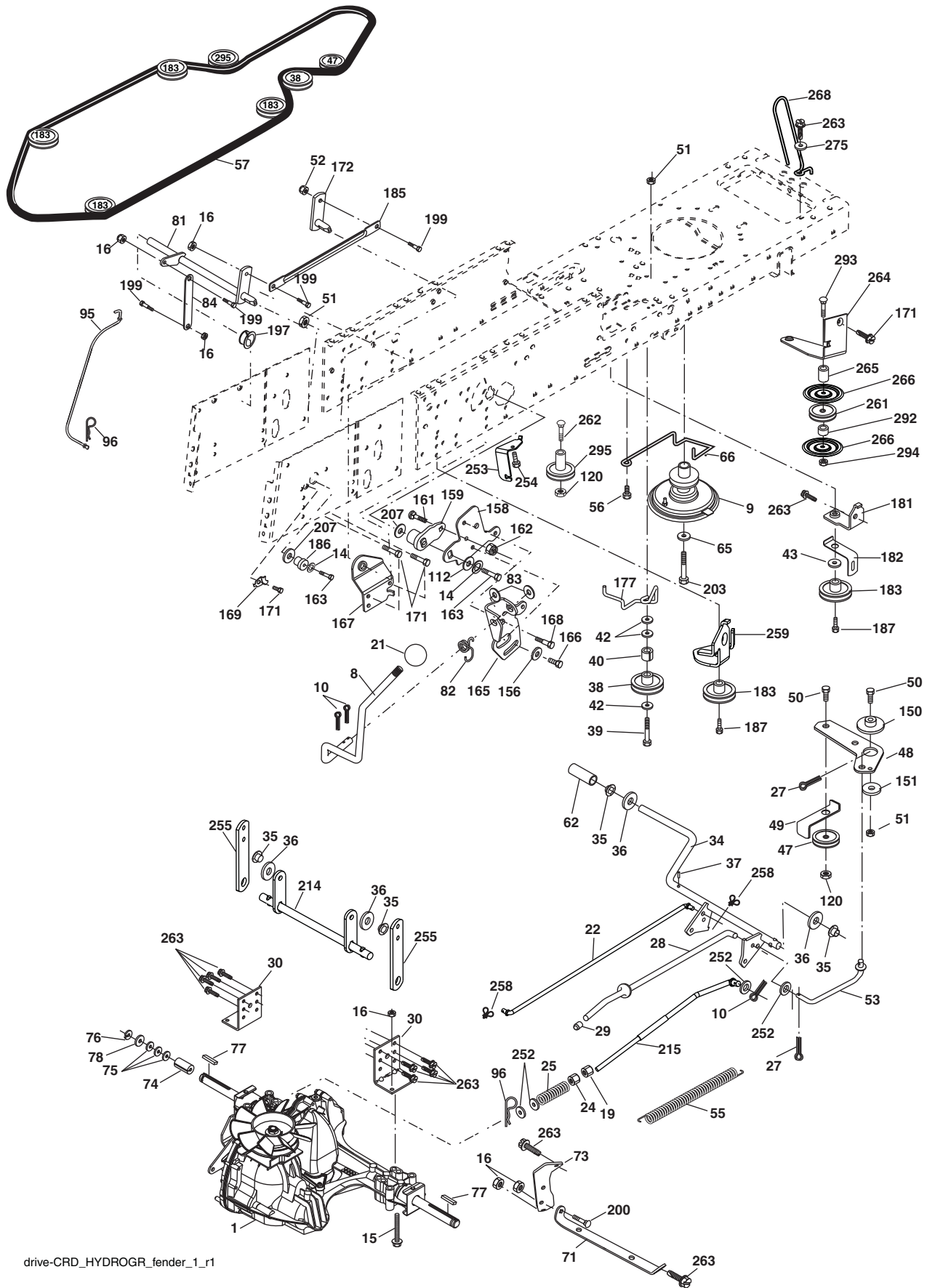
NOTE: All component dimensions given in U.S. inches.
1 inch = 25.4 mm.

**TRACTOR-MODEL NUMBER RE145H92RBK (96061013004), PRODUCT NO. 960 61 01-30
CHASSIS AND ENCLOSURES**

| KEY NO. | PART NO. | DESCRIPTION | KEY NO. | PART NO. | DESCRIPTION |
|---------|--------------|---|---------|---------------------|-------------------------------------|
| 1 | 532 17 46-20 | Chassis | 162 | 532 18 03-82 | Bracket Exten Chassis LH CRD |
| 2 | 532 18 03-84 | Drawbar | 163 | 532 18 03-83 | Bracket Exten Chassis RH CRD |
| 3 | 817 06 06-12 | Screw 3/8-16 x 3/4 | 164 | 532 16 56-05 | Support Battery CRD |
| 5 | 532 15 52-72 | Bumper Hood/Dash | 165 | 532 18 13-56 | Cover Battery |
| 6 | 532 18 44-19 | Saddle | 170 | 532 19 94-88 | Backplate Asm CRD |
| 8 | 532 12 64-71 | Clip Insulator 13/32 Mtg. Hole | 171 | 872 14 06-20 | Bolt Rdhd Sqnk 3/8-16 x 2-1/2 Gr. 5 |
| 9 | 532 19 46-88 | Dash | 172 | 819 13 20-16 | Washer 13/32 x 1-1/4 x 16 Ga. |
| 10 | 872 14 06-08 | Bolt, Carriage 3/8-16 x 3/4 | 173 | 873 51 06-00 | Nut, Keps Hex 3/8-16 unc |
| 11 | 532 17 49-96 | Panel, Dash, LH | 175 | 532 18 82-03 | Guard Trap |
| 13 | 532 18 69-52 | Panel, Asm. Dash RH | 179 | 532 18 82-02 | Rod Pivot FBI CRD |
| 15 | 874 18 05-12 | Screw, Machine, Truss Head 5/16-18 unc x 3/4 | 184 | 532 17 46-62 | Bracket Actuator Bagger CRD |
| 16 | 873 51 05-00 | Nut | 185 | 532 18 11-01 | Knob Rod Brake Parking |
| 17 | 532 18 67-07 | Hood | 186 | 532 16 07-93 | Latch Asm Mulch/Bagger |
| 18 | 532 18 49-21 | Bumper Hood | 187 | 532 12 50-04 | Nut Weld |
| 24 | 874 78 06-16 | Bolt | 188 | 819 06 12-16 | Washer #10 |
| 25 | 819 13 13-12 | Washer 13/32 x 13/16 x 12 Ga. | 189 | 810 07 10-00 | Washer Lock #10 |
| 26 | 873 80 06-00 | Nut | 190 | 871 08 10-10 | Screw Pan Hd Phillip 10-24 x 5/8 |
| 28 | 532 18 35-52 | Grille/Lens Asm (Key #s 29 and 212) | 198 | 532 16 89-37 | Nut, Push |
| 29 | 532 18 58-46 | Lens Grille | 205 | 817 49 06-08 | Screw Thdrol 3/8-16 x 1/2 |
| 30 | 532 19 73-44 | Fender | 207 | 817 67 05-08 | Screw 5/16-18 x 1/2 |
| 31 | 532 16 51-56 | Bracket, Fender Support | 208 | 817 67 06-08 | Screw Thdrol 3/8-16 x 1/2 |
| 33 | 532 18 11-93 | Footrest, LH | 209 | 817 00 06-12 | Screw Hex Wsh Thdrol 3/8-16 |
| 34 | 532 18 11-94 | Footrest, RH | 212 | 532 18 35-50 | Insert Lens Reflective |
| 35 | 872 11 06-06 | Bolt | 256 | 532 18 13-61 | Cover Fender |
| 37 | 817 49 05-08 | Screw Thdrol 5/16-18 x 1/2 TYT | 265 | 532 18 57-04 | Seal RH Side Bagger |
| 38 | 532 18 17-48 | Bracket Asm Pivot Mower Rear | 266 | 532 18 57-03 | Seal LH Side Bagger |
| 39 | 532 40 78-07 | Bracket Pivot | 278 | 532 41 63-58 | Screw #10 x 0.75 BOS Thread |
| 69 | 532 14 24-32 | Screw Hex 1/4-1/2 unc | -- | 532 00 54-79 | Plug Button |
| 89 | 532 19 73-66 | Console | | | |
| 145 | 532 40 91-67 | Rod Pivot Chassis/Hood | | | |

NOTE: All component dimensions given in U.S. inches.
1 inch = 25.4 mm.

TRACTOR-MODEL NUMBER RE145H92RBK (96061013004), PRODUCT NO. 960 61 01-30
DRIVE



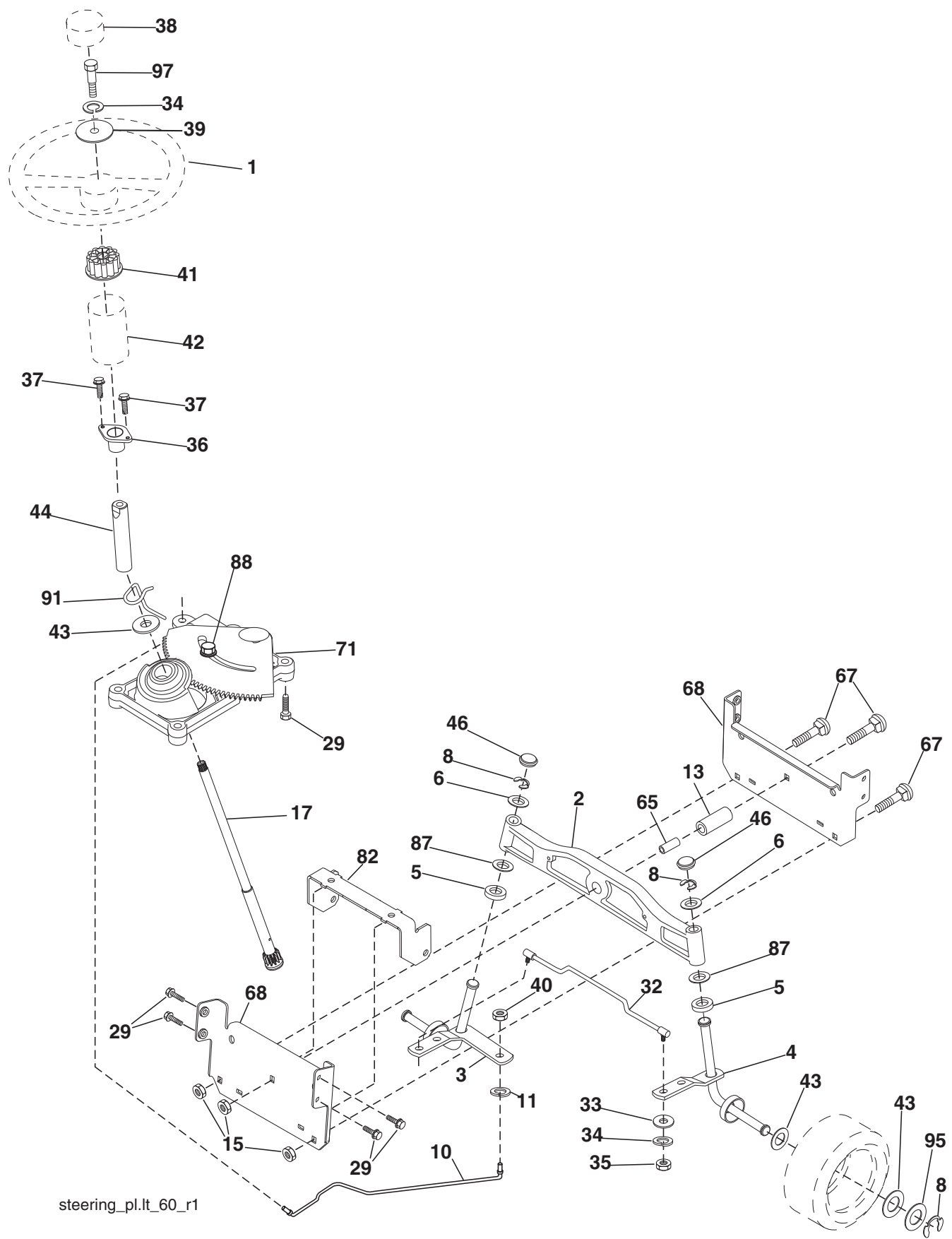
drive-CRD_HYDROGR_fender_1_r1

TRACTOR-MODEL NUMBER RE145H92RBK (96061013004), PRODUCT NO. 960 61 01-30 DRIVE

| KEY NO. | PART NO. | DESCRIPTION | KEY NO. | PART NO. | DESCRIPTION |
|---------|--------------|--|---------|--------------|-----------------------------------|
| 1 | ----- | Transaxle Hydro Gear 321-0510 (Order parts from transaxle manufacturer) | 112 | 819 09 12-10 | Washer 9/32 x 3/4 x 10 Ga. |
| 8 | 532 19 27-06 | Rod, Shift Fender Adjust LT | 120 | 873 90 06-00 | Nut Lock Flg. 3/8-16 unc |
| 9 | 532 40 85-79 | Clutch Asm Noram | 150 | 532 16 58-50 | Bushing, Bellcrank Grnd Dr |
| 10 | 876 02 04-16 | Pin, Cotter 1/8 x 1 | 151 | 819 13 32-10 | Washer 13/32 x 2 x 10 Ga. |
| 14 | 810 04 04-00 | Washer, Lock Hvy Helical | 156 | 532 16 60-02 | Washer Srrted 5/16 ID x 1.125 |
| 15 | 874 49 05-44 | Bolt Hex FGHD 5/16-18 x Gr. 5 | 158 | 532 16 55-89 | Bracket Shift Mount |
| 16 | 873 80 05-00 | Nut Lock Hex w/Ins 5/16-18 unc | 159 | 532 18 39-00 | Hub Shift |
| 19 | 873 80 06-00 | Nut Lock Hex w/Ins 3/8-16 unc | 161 | 872 14 04-06 | Bolt Rdhd Sqnk 1/4-20 x 3/4 Gr. 5 |
| 21 | 532 13 05-64 | Knob | 162 | 873 68 04-00 | Nut Crownlock 1/4-20 unc |
| 22 | 532 17 56-07 | Rod, Brake | 163 | 874 78 04-16 | Bolt Hex Fin 1/4-20 unc x 1 Gr. 5 |
| 24 | 873 35 06-00 | Nut | 165 | 532 16 56-23 | Bracket Pivot Lever |
| 25 | 532 19 20-36 | Spring, Rod, Brake | 166 | 817 49 05-10 | Screw 5/16-18 x 5/8 |
| 27 | 876 02 04-12 | Pin, Cotter 1/8 x 3/4 | 167 | 532 16 55-88 | Bracket Support Shift CRD |
| 28 | 532 17 57-65 | Rod, Parking Brake | 168 | 532 16 54-92 | Bolt Shoulder 5/16-18 x .561 |
| 29 | 532 07 16-73 | Cap, Parking Brake | 169 | 532 16 55-80 | Plate Fastening Lt |
| 30 | 532 16 95-92 | Bracket, Mfg. Transaxle | 171 | 817 49 06-08 | Screw Thdrol 3/8-16 x 1/2 Ty-Tt |
| 34 | 532 17 55-78 | Shaft, Asm Pedal Foot CRD | 172 | 532 17 02-71 | Shaft Asm Shifter Frt CRD |
| 35 | 532 12 01-83 | Bearing, Nylon | 177 | 532 16 59-32 | Keeper Flat Idler 3.06" CRD |
| 36 | 819 21 16-16 | Washer 21/32 x 1 x 16 Ga. | 181 | 532 18 02-11 | Bracket Idler Ground Drive CRD |
| 37 | 532 12 49-63 | Pin, Roll 3/16 x 1" | 182 | 532 18 26-82 | Keeper Belt 2.5" Od V-Idler CRD |
| 38 | 532 16 59-36 | Pulley Flat Composite 3.06" | 183 | 532 19 95-32 | Pulley V-Idler GRND DR |
| 39 | 874 76 06-44 | Bolt Fin Hex 3/8-16 unc x 2-3/4 | 185 | 532 17 00-08 | Link Shift |
| 40 | 532 12 49-65 | Spacer, Split 395 x 59 Bzp | 186 | 532 16 56-14 | Hub Tapered Round CRD |
| 42 | 819 13 13-12 | Washer 13/32 x 13/16 x 12 Ga. | 187 | 817 58 05-20 | Screw Thdrol 5/16-18 x 1.25 |
| 43 | 819 11 10-12 | Washer 11/32 x 5/8 x 12 Ga. | 197 | 532 16 96-13 | Nyliner Snap-In 5/8 |
| 47 | 532 12 77-83 | Pulley, Idler, V Groove Plastic | 199 | 532 16 96-12 | Bolt Shoulder 5/16-18 unc |
| 48 | 532 15 44-07 | Bellcrank Clutch Grnd Drv | 200 | 872 14 05-08 | Bolt RDHD SQNK 5/16-18 x 1 |
| 49 | 532 12 32-05 | Retainer, Belt Style Spring | 203 | 871 17 07-80 | Bolt Hex 7/16-20 x 5 |
| 50 | 872 11 06-12 | Bolt Carr. Sh. 3/8-16 x 1-1/2 Gr. 5 | 207 | 532 16 98-45 | Washer Nylon Rear |
| 51 | 873 68 06-00 | Nut, Crownlock 3/8-16 unc | 214 | 532 17 56-09 | Shaft Asm. Brake |
| 52 | 873 68 05-00 | Nut, Crownlock 5/16-18 | 215 | 532 17 56-52 | Rod Brake Hydro |
| 53 | 532 19 96-52 | Link, Clutch 7.66 | 252 | 819 13 16-16 | Washer 13/32 x 1 x 16 Ga. |
| 55 | 532 10 57-09 | Spring, Return, Clutch | 253 | 532 17 50-28 | Bracket Cable Chassis |
| 56 | 817 06 06-20 | Screw 3/8-16 x 1-1/4 | 254 | 817 00 06-16 | Screw 3/8-16 x 1 |
| 57 | 532 17 01-40 | V-Belt Kev 112" 0650 CRD | 255 | 532 17 56-08 | Brace Shaft Brake Mtg. |
| 62 | 532 12 48-72 | Cover, Pedal | 258 | 532 17 80-62 | Clip Retainer |
| 65 | 810 04 07-00 | Washer | 259 | 532 18 02-12 | Bracket Pulley |
| 66 | 532 15 47-78 | Keeper, Belt Engine F-Proof | 261 | 532 13 14-94 | Pulley Idler |
| 71 | 532 16 91-83 | Strap, Torque, LH | 262 | 872 11 06-22 | Bolt Carr. 3/8-16 x 2-3/4 Gr .5 |
| 73 | 532 16 91-82 | Strap, Torque, RH | 263 | 817 00 06-12 | Screw 3/8-16 x 3/4 |
| 74 | 532 13 70-57 | Spacer, Split | 264 | 532 19 76-08 | Bracket Idler |
| 75 | 532 12 17-49 | Washer 25/32 x 1-1/4 x 16 Ga. | 265 | 532 40 46-07 | Spacer Idler Chassis |
| 76 | 812 00 00-01 | Ring, E | 266 | 532 18 20-61 | Shield Idler Mower |
| 77 | 532 12 35-83 | Key, Square | 268 | 532 18 24-02 | Guard Muffler |
| 78 | 532 12 17-48 | Washer 25/32 x 1-5/8 x 16 Ga. | 275 | 819 13 16-14 | Washer 13/32 x 1 x 14 Ga. |
| 81 | 532 17 00-06 | Asm, Shaft, Cross Rear | 292 | 532 40 02-71 | Spacer |
| 82 | 532 16 57-11 | Spring, Torsion | 293 | 872 14 06-28 | Bolt Carr. 3/8-16 x 3 1/2 |
| 83 | 819 17 12-16 | Washer 17/32 x 3/4 x 16 Ga. | 294 | 532 19 70-33 | Nut Jam 3/8-16 |
| 84 | 532 17 00-07 | Link, Transaxle | 295 | 532 17 91-14 | Pulley Idler |
| 95 | 532 17 00-15 | Control Asm Bypass Hydro | | | |
| 96 | 532 12 47-88 | Spring, Retainer 1" | | | |

NOTE: All component dimensions given in U.S. inches
1 inch = 25.4 mm

**TRACTOR-MODEL NUMBER RE145H92RBK (96061013004), PRODUCT NO. 960 61 01-30
STEERING ASSEMBLY**



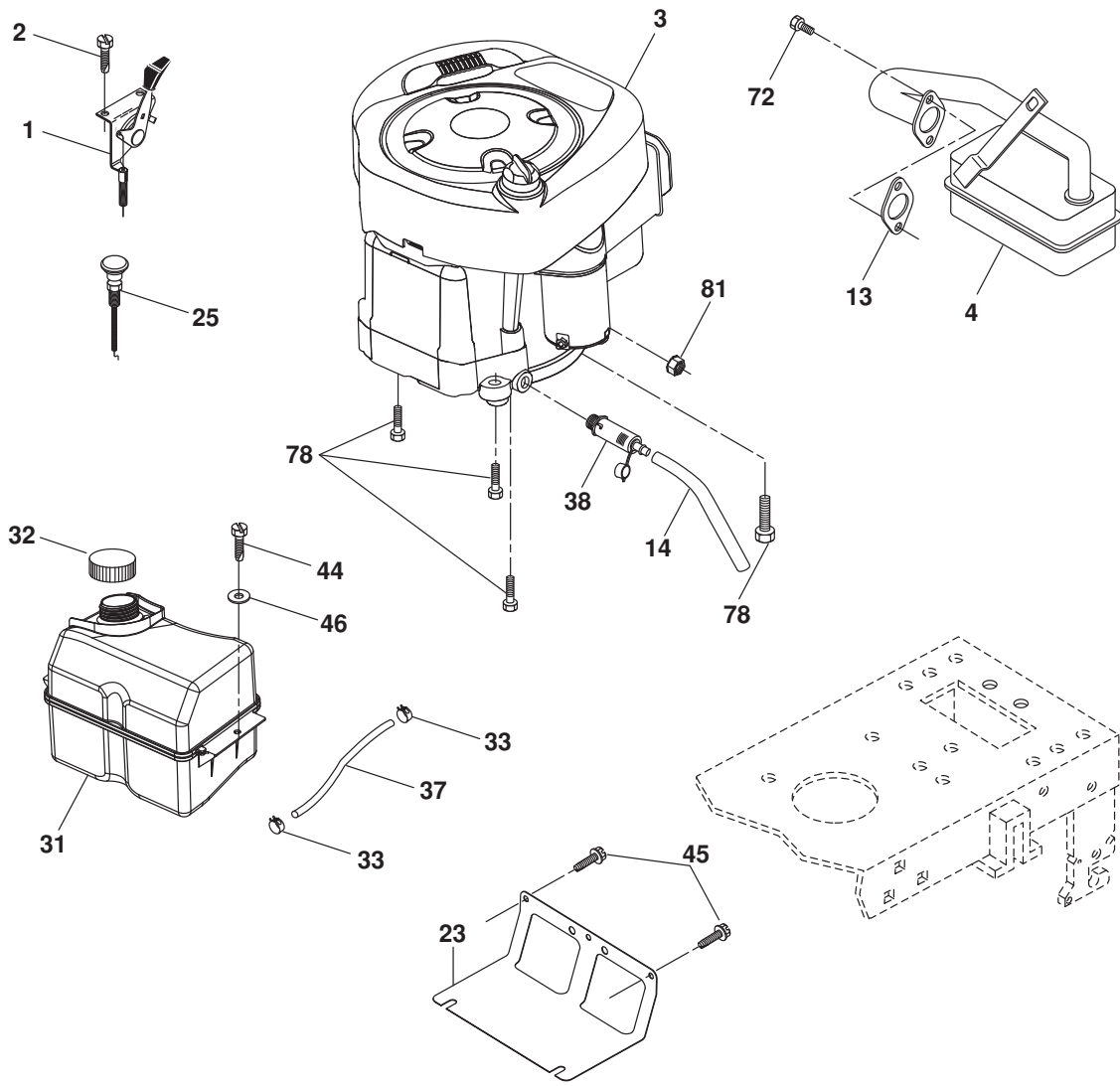
steering_pl.lt_60_r1

**TRACTOR-MODEL NUMBER RE145H92RBK (96061013004), PRODUCT NO. 960 61 01-30
STEERING ASSEMBLY**

| KEY NO. | PART NO. | DESCRIPTION |
|----------------|-----------------|-------------------------------------|
| 1 | 532 18 67-80 | Steering Wheel |
| 2 | 532 18 47-06 | Front Axle Assembly |
| 3 | 532 16 98-40 | Spindle Assembly, LH |
| 4 | 532 16 98-39 | Spindle Assembly, RH |
| 5 | 532 12 49-31 | Bearing, Race, Thrust, Hardened |
| 6 | 532 12 17-48 | Washer 25/32 x 1-5/8 x 16 Ga. |
| 8 | 812 00 00-29 | Ring, Clip |
| 10 | 532 17 51-21 | Link, Drag |
| 11 | 810 04 06-00 | Washer, Lock |
| 13 | 532 13 65-18 | Spacer Axle |
| 15 | 532 14 52-12 | Nut Hex Flange Lock |
| 17 | 532 19 07-53 | Shaft Assembly, Steering |
| 29 | 817 00 06-12 | Screw 3/8-16 x 3/4 |
| 32 | 532 17 01-62 | Rod, Tie |
| 33 | 819 11 12-16 | Washer 11/32 x 3/4 x 16 Ga. |
| 34 | 810 04 05-00 | Washer Lock Hvy Hlcl Spr 5/16 |
| 35 | 873 54 05-00 | Crownlock Nut 5/16-24 unf |
| 36 | 532 15 50-99 | Bushing, Steering |
| 37 | 532 15 29-27 | Screw TT #10-32 x 5 x 3/8 Flange |
| 38 | 532 19 29-16 | Cap Wheel Steering |
| 39 | 819 11 38-12 | Washer 11/32 ID x 2 3/8 OD x 12 Ga. |
| 40 | 873 54 06-00 | Nut Crownlock 3/8-24 unf |
| 41 | 532 18 67-37 | Adaptor, Steering Wheel |
| 42 | 532 16 96-33 | Boot, Steering |
| 43 | 532 12 17-49 | Washer 25/32 x 1-1/4 x 16 Ga. |
| 44 | 532 19 07-52 | Extension Steering |
| 46 | 532 12 12-32 | Cap, Spindle |
| 65 | 532 41 47-36 | Spacer Axle |
| 67 | 872 11 06-18 | Bolt Rdhd Sq 3/8-16 x 2-1/4 |
| 68 | 532 16 98-27 | Brace Axle |
| 71 | 532 17 51-46 | Steering Asm. |
| 82 | 532 19 99-78 | Bracket Susp. Chassis Front |
| 87 | 532 17 39-66 | Washer Flat .781 x 1-1/2 x .14 |
| 88 | 532 17 51-18 | Bolt Shoulder 7/16-20 unc |
| 91 | 532 17 55-53 | Clip Steering |
| 95 | 532 18 89-67 | Washer |
| 97 | 874 78 05-64 | Bolt 5/16-18 unc x 4" L Gr. 5 |

NOTE: All component dimensions given in U.S. inches.
1 inch = 25.4 mm.

**TRACTOR-MODEL NUMBER RE145H92RBK (96061013004), PRODUCT NO. 960 61 01-30
ENGINE**



OPTIONAL EQUIPMENT
Spark Arrester

engine-bs.1cyl_65

**TRACTOR-MODEL NUMBER RE145H92RBK (96061013004), PRODUCT NO. 960 61 01-30
ENGINE**

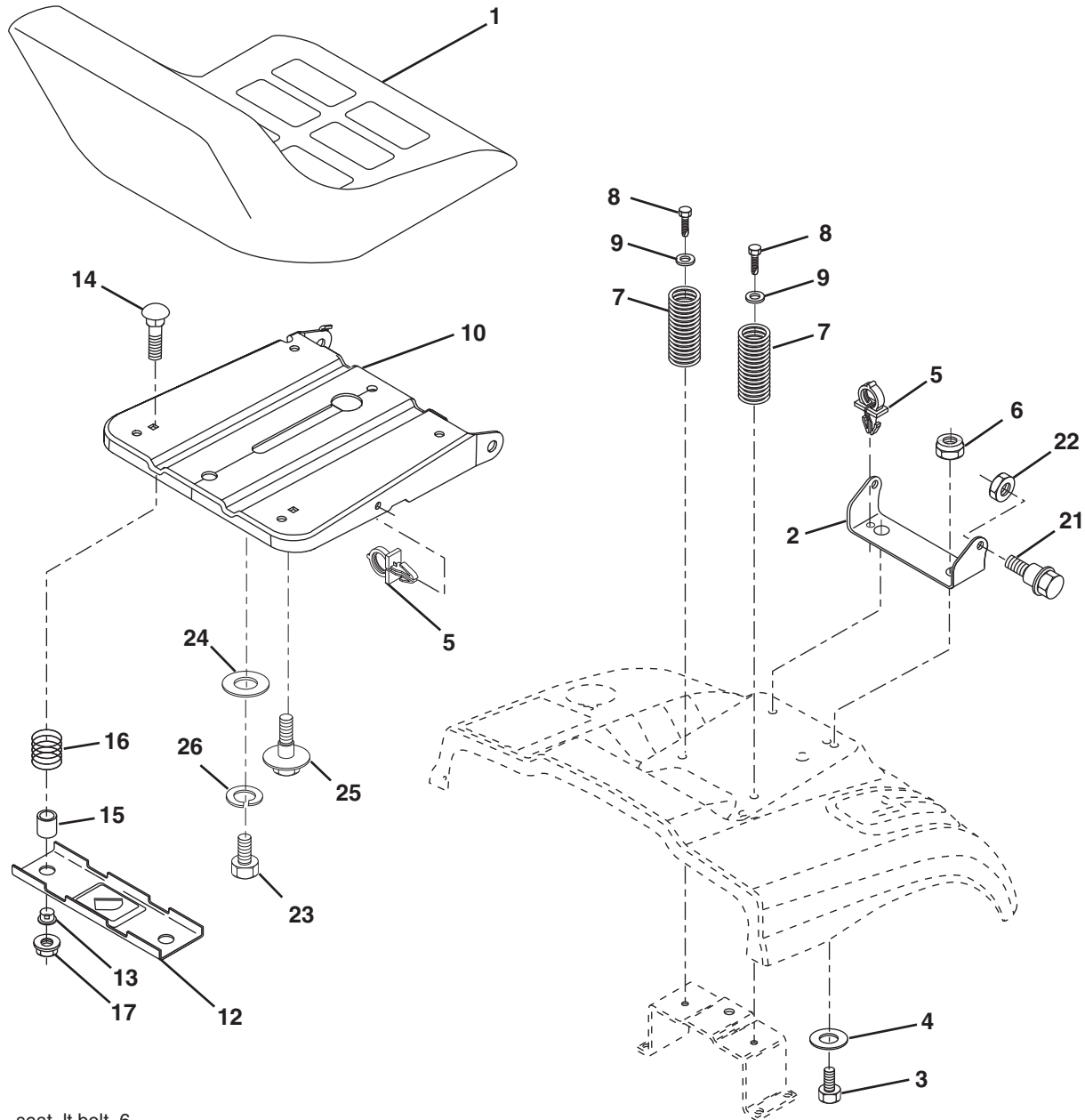
| KEY NO. | PART NO. | DESCRIPTION |
|----------------|-----------------|--|
| 1 | 532 17 05-51 | Control Throt/Ck |
| 2 | 817 72 04-08 | Screw Hex Thd Cut 1/4-20 x 1/2 |
| 3 | ----- | Engine Briggs Model 31A507 (Order parts from engine manufacturer) |
| 4 | 532 13 73-52 | Muffler |
| 13 | 532 16 52-91 | Gasket Muffler |
| 14 | 532 14 84-56 | Tube Drain Oil Easy |
| 23 | 532 16 98-37 | Shield Brn/Dbr Guard |
| 25 | 532 19 06-95 | Control Choke |
| 29 | 532 13 71-80 | Kit Spark Arrester (Flat Scrn) |
| 31 | 532 40 75-51 | Tank Fuel 2.00 |
| 32 | 532 19 77-25 | Cap Asm Fuel |
| 33 | 532 12 34-87 | Clamp Hose Blk |
| 37 | 532 13 70-40 | Line Fuel |
| 38 | 532 18 16-54 | Plug Drain Oil Easy |
| 44 | 817 67 04-12 | Screw Hexwsh Thdrol 1/4-20 x 3/4 |
| 45 | 817 00 06-12 | Screw Hexwsh Thdr 3/8-16 x 3/4 |
| 46 | 819 09 14-16 | Washer 9/32 x 7/8 x 16 Ga. |
| 72 | 532 19 23-34 | Screw Socket Hd. 5/16-18 x .75 |
| 78 | 817 06 06-20 | Screw 3/8-16 x 1-1/4 |
| 81 | 873 51 04-00 | Nut Keps Hex 1/4-20 unc |

NOTE: All component dimensions given in U.S. inches
1 inch = 25.4 mm

Engine Power Rating Information

The gross power rating for individual gas engine models is labeled in accordance with SAE (Society of Automotive Engineers) code J11940 (Small Engine Power & Torque Rating Procedure), and rating performance has been obtained and corrected in accordance with SAE J1995 (Revision 2002-5). Actual gross engine power will be lower and is affected by, among other things, ambient operating conditions and engine-to-engine variability. Given both the wide array of products on which engines are placed and the variety of environmental issues applicable to operating the equipment, the gas engine will not develop the rated gross power when used in a given piece of power equipment (actual "on-site" or net horsepower). This difference is due to a variety of factors including, but not limited to, accessories (air cleaner, exhaust, charging, cooling, carburetor, fuel pump, etc.), application limitations, ambient operating conditions (temperature, humidity, altitude), and engine-to-engine variability. Due to manufacturing and capacity limitations, Briggs & Stratton may substitute an engine of higher rated power for this Series engine.

**TRACTOR-MODEL NUMBER RE145H92RBK (96061013004), PRODUCT NO. 960 61 01-30
SEAT ASSEMBLY**



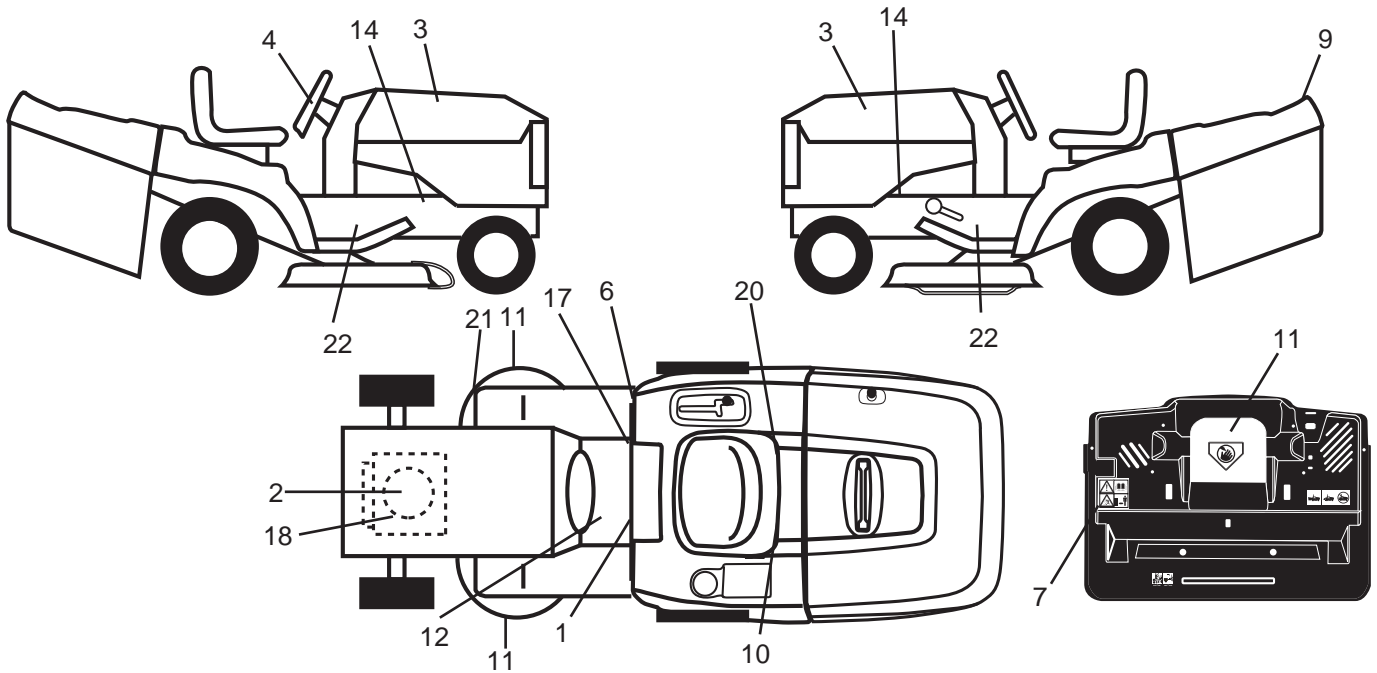
seat_lt.bolt_6

| KEY NO. | PART NO. | DESCRIPTION |
|---------|--------------|---------------------------------|
| 1 | 532 18 87-13 | Seat |
| 2 | 532 14 05-51 | Bracket Pnt Pivot Fender |
| 3 | 871 11 06-16 | Bolt Fin Hex 3/8-16 x 1 |
| 4 | 819 13 16-10 | Washer Flat 13/32 x 1 x 10 Ga. |
| 5 | 532 14 50-06 | Clip Push In Hinged |
| 6 | 873 80 06-00 | Nut Lock Hex w/lns 3/8-16 |
| 7 | 532 12 41-81 | Spring Seat Cprsn 2 250 Blk Zi |
| 8 | 817 00 06-16 | Screw 3/8-16 x 1.5 |
| 9 | 819 13 16-14 | Washer 13/32 x 1 x 14 Ga |
| 10 | 532 19 55-30 | Pan Pnt Seat |
| 12 | 532 17 46 48 | Bracket Pnt Mounting Switch |
| 13 | 532 12 12-48 | Bushing Snap Blk Nyl 50 Id |
| 14 | 872 05 04-12 | Bolt Rdhd Sht Nk 1/4-20 x 1-1/2 |

| KEY NO. | PART NO. | DESCRIPTION |
|---------|--------------|---------------------------------|
| 15 | 532 13 43-00 | Spacer Split |
| 16 | 532 12 12-50 | Spring Cprsn |
| 17 | 532 12 39-76 | Nut Lock 1/4 Lge Flg Gr. 5 Zinc |
| 21 | 532 17 18-52 | Bolt Shoulder 5/16-18 unc-2A |
| 22 | 873 80 05-00 | Nut Hex Lock w/lns 5/16-18 |
| 23 | 871 11 08-14 | Bolt Hex |
| 24 | 819 17 19-12 | Washer 17/32 x 1-3/16 x 12 Ga. |
| 25 | 532 12 70-18 | Bolt shoulder 5/16-18 x .62 |
| 26 | 810 04 08-00 | Washer Lock |

NOTE: All component dimensions given in U.S. inches.
1 inch = 25.4 mm

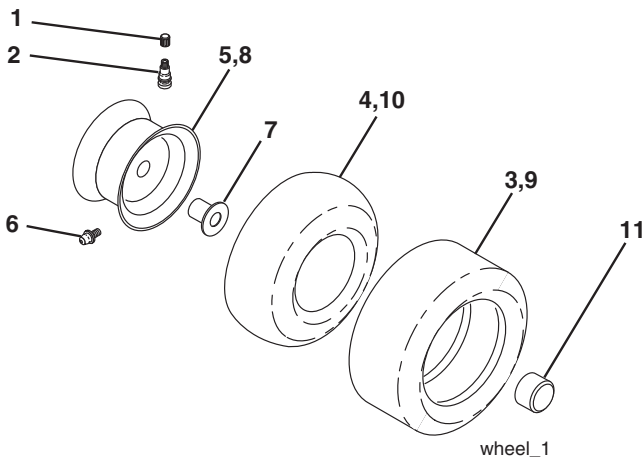
**TRACTOR-MODEL NUMBER RE145H92RBK (96061013004), PRODUCT NO. 960 61 01-30
DECALS**



| KEY NO. | PART NO. | DESCRIPTION |
|---------|--------------|-------------------------------|
| 1 | 532 40 03-89 | Decal Warning Sym. CE |
| 2 | 532 19 68-41 | Decal Warning Eng. Sym. |
| 3 | 532 43 18-65 | Decal Hood RH/LH |
| 4 | 532 40 22-26 | Decal Wheel Strg |
| 6 | 532 18 04-32 | Decal 100 DBA |
| 7 | 532 18 04-35 | Decal Backplate |
| 9 | 532 18 11-46 | Decal Fender Logo |
| 10 | 532 14 50-05 | Decal Bat Dan/Poi P/L Sym Wpn |
| 11 | 532 18 21-66 | Decal Mower Cut Finger Symbol |
| 12 | 532 15 97-37 | Decal Brake/Clutch Symbol Lt |
| 14 | 532 15 97-36 | Decal Chassis Hot Muffler |
| 16 | 532 19 68-42 | Decal Warning Cutfinger |
| 17 | 532 14 08-37 | Decal Saddle Brake Parking |

| KEY NO. | PART NO. | DESCRIPTION |
|---------|--------------|----------------------------|
| 18 | 532 41 67-25 | Decal Engine HP |
| 20 | 532 16 69-60 | Decal Bypass Fender CRD |
| 21 | 532 16 62-86 | Decal Hex Belt Sch 92 CRD |
| 22 | 532 19 06-16 | Decal Chassis |
| -- | 532 13 83-11 | Decal Lift Handle |
| -- | 532 18 10-90 | Pad Footrest RH |
| -- | 532 18 10-91 | Pad Footrest LH |
| -- | 532 41 09-59 | Manual Operator's (Euro) |
| -- | 532 41 09-60 | Manual Operator's (Scand) |
| -- | 532 41 19-65 | Manual Operator's (Ebloc) |
| -- | 532 41 19-66 | Manual Operator's (Baltic) |
| -- | 532 42 40-13 | Manual Parts |

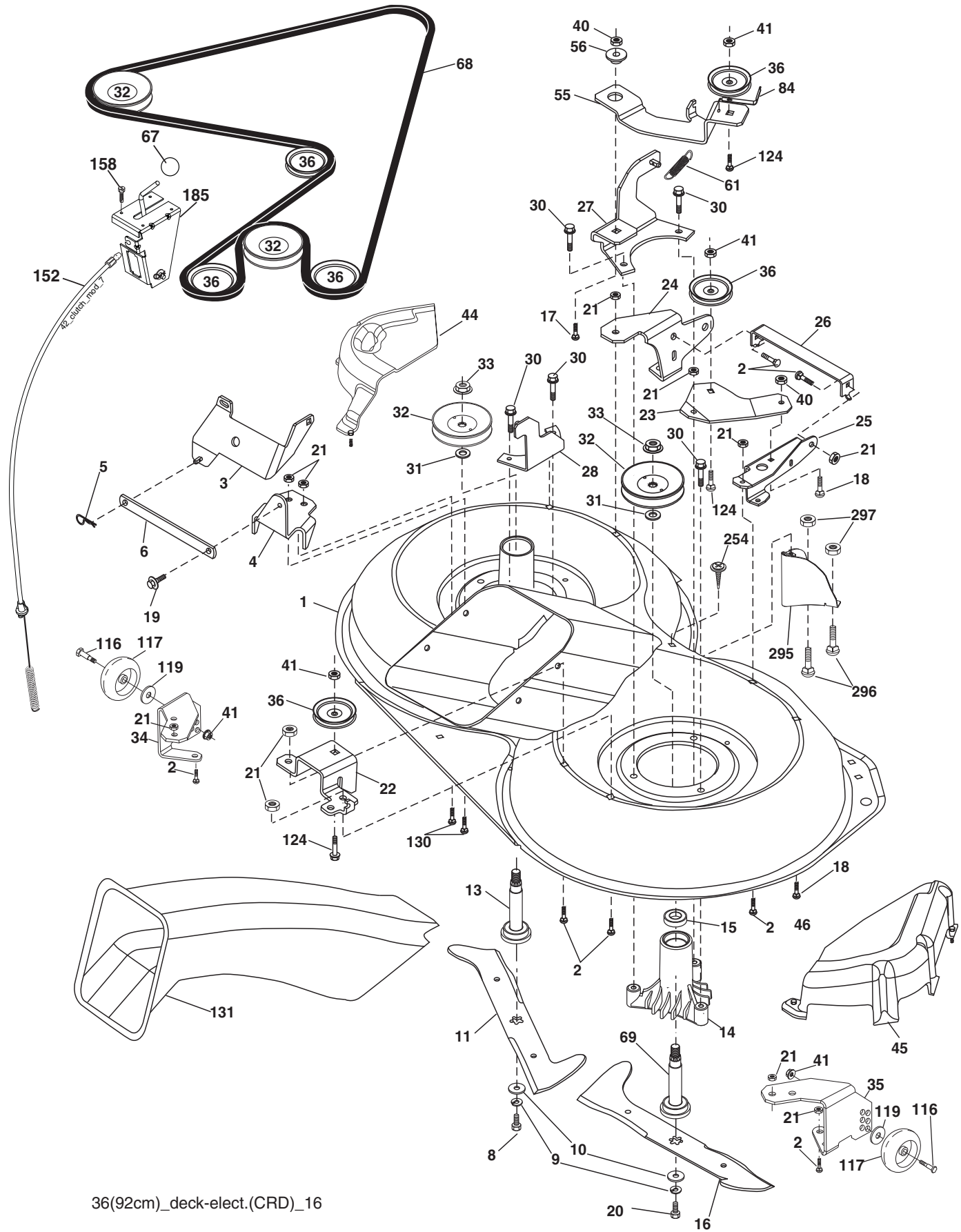
WHEELS & TIRES



| KEY NO. | PART NO. | DESCRIPTION |
|---------|--------------|--------------------------------|
| 1 | 532 05 91-92 | Cap Valve Tire |
| 2 | 532 06 51-39 | Stem Valve |
| 3 | 532 10 62-22 | Tire F Ts 15 x 6 0 - 6 Service |
| 4 | 532 05 99-04 | Tube Inner Front #35060 |
| 5 | 532 18 33-37 | Rim Asm 6" Front Service |
| 6 | 532 12 49-57 | Fitting Grease |
| 7 | 532 12 49-59 | Bearing Flange |
| 8 | 532 18 33-38 | Rim Asm 8" Rear Service |
| 9 | 532 13 84-68 | Tire R Ts 20 x 8-8 Service |
| 10 | 532 12 49-26 | Tube Rear 9 5 x 8 Service |
| 11 | 532 17 50-39 | Cap Axle Blk 1 50 x 1 00 |
| -- | 532 14 43-34 | Sealant, Tire (10 oz. tube) |

NOTE: All component dimensions given in U.S. inches
1 inch = 25.4 mm

TRACTOR-MODEL NUMBER RE145H92RBK (96061013004), PRODUCT NO. 960 61 01-30
MOWER



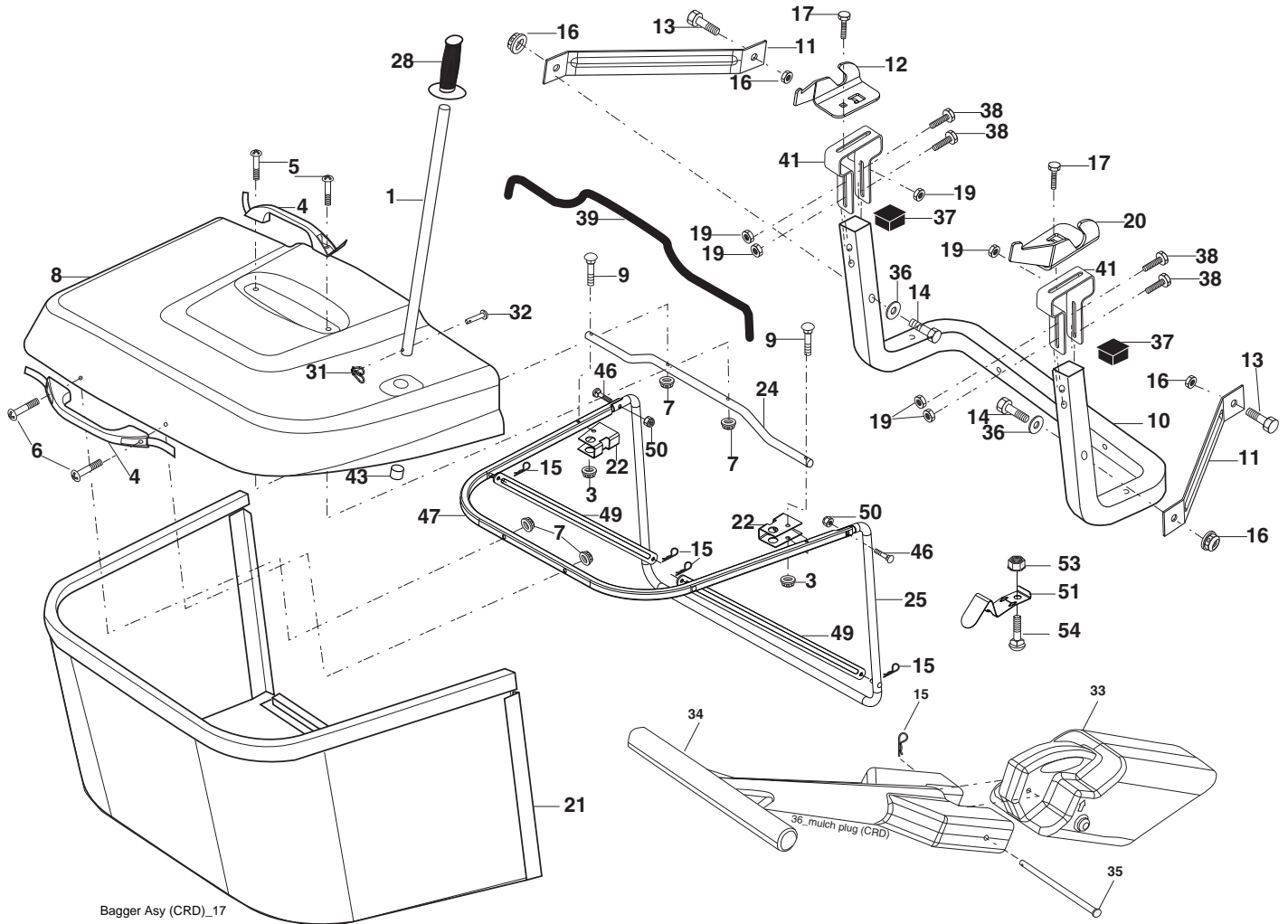
36(92cm)_deck-elect.(CRD)_16

**TRACTOR-MODEL NUMBER RE145H92RBK (96061013004), PRODUCT NO. 960 61 01-30
MOWER**

| KEY NO. | PART NO. | DESCRIPTION | KEY NO. | PART NO. | DESCRIPTION |
|---------|--------------|-------------------------------------|---------|--------------|---|
| 1 | 532 40 01-08 | Housing Asm. Mower 92 CRD | 44 | 532 43 27-97 | Cover Mandrel LH 92 CRD |
| 2 | 872 14 05-06 | Bolt Rdhd Sqnk 5/16-18 unc x 3/4 | 45 | 532 43 27-96 | Cover Mandrel RH 92 CRD |
| 3 | 532 43 18-64 | Bracket Asm. S-Bar Chass 92 CRD | 55 | 532 19 94-98 | Arm Idler 92 CRD |
| 4 | 532 16 55-58 | Bracket Bar Sway Deck 92 CRD | 56 | 532 16 57-23 | Spacer Retainer Mower |
| 5 | 532 12 46-70 | Retainer Spring | 61 | 532 19 94-86 | Spring Tension Belt |
| 6 | 532 16 55-57 | Bar Sway 92 CRD | 67 | 532 10 69-32 | Knob Rd 3/8-16 Plstc Thds Blk |
| 8 | 532 18 17-12 | Bolt 3/8-24 x 1.25 Gr. 8 Patched | 68 | 532 40 20-08 | Hex-Belt 92 Mower |
| 9 | 810 03 06-00 | Washer Lock Hvy 3/8 Unplated | 69 | 532 16 54-82 | Shaft Asm w/Lwr Brg RH Thd CRD |
| 10 | 532 14 02-96 | Washer Hardened | 84 | 532 15 60-85 | Keeper Belt Idler |
| 11 | 532 18 63-85 | Blade 3-1 Lh 92 CRD | 116 | 532 19 34-06 | Bolt Shoulder |
| 13 | 532 13 76-45 | Shaft Asm. w/Lower Bearing | 117 | 532 17 48-73 | Wheel Gauge |
| 14 | 532 12 87-74 | Housing Mandrel Vented (Machd) | 119 | 819 13 20-12 | Washer 13/32 x 1-1/4 x 12 Ga. |
| 15 | 532 11 04-85 | Bearing Ball Mandrel | 124 | 872 11 06-12 | Bolt Carr Sh 3/8-16 x 1-1/2 Gr. 5 |
| 16 | 532 18 63-86 | Blade 3-1 RH 92 CRD | 130 | 872 11 05-06 | Bolt Rdhdsqnk 5/16-18 unc x 3/4 |
| 17 | 872 14 06-10 | Bolt Carriage 3/8-16 x 1-1/4 | 131 | 532 16 56-61 | Chute Bagger CRD 92cm |
| 18 | 872 11 06-06 | Bolt Rdhd Sqnk 3/8-16 x 3/4 | 152 | 532 17 60-74 | Cable Clutch CRD |
| 19 | 532 13 28-27 | Bolt Shoulder 5/16-18 Thd Form | 158 | 817 72 04-08 | Screw Hex Thd Cut 1/4-20 x 1/2 |
| 20 | 532 18 17-13 | Bolt 3/8-24 x 1.25 Gr. 8 Ptch Lhthd | 185 | 532 18 82-34 | Head Asm. Cable Clutch |
| 21 | 873 68 05-00 | Nut Crown Lock 5/16-18 | 254 | 817 00 06-16 | Screw 3/8-16 x 1 |
| 22 | 532 19 95-90 | Bracket Idler Sprt 92 CRD | 295 | 532 41 21-71 | Baffle Front |
| 23 | 532 16 54-46 | Bracket Idler Sprt | 296 | 872 14 04-06 | Bolt RDHD SQNK 1/4-20 x 3/4 Gr. 5 |
| 24 | 532 16 52-42 | Bracket Suspension LF 92 CRD | 297 | 873 93 04-00 | Nut Centerlock 1/4-20 unc |
| 25 | 532 16 52-44 | Bracket Suspension RF 92 CRD | -- | 532 18 18-57 | Mandrel Assembly (Includes hous- ing, shaft assembly, and bearing only - pulley/nut/washer and blade/ bolt washers not included) |
| 26 | 532 40 01-10 | Brace Susp Frt CRD | -- | 532 18 18-58 | Mandrel Asm CRD LH Threads SVC |
| 27 | 532 16 55-68 | Bracket Asm. Susp RR 92 CRD | -- | 532 41 37-11 | Replacement Mower, Complete (Std. Deck - Order separately gauge wheel components key nos. 116 - 119) |
| 28 | 532 16 55-67 | Bracket Asm. Susp LR 92 CRD | | | |
| 30 | 532 17 39-84 | Screw Thd Rolling | | | |
| 31 | 532 18 76-90 | Washer Spacer Mower Vented | | | |
| 32 | 532 15 35-32 | Mandrel Pulleys | | | |
| 33 | 532 40 02-34 | Nut Flg Top Lock | | | |
| 34 | 532 40 01-07 | Bracket Gauge Wheel LF 92 CRD | | | |
| 35 | 532 40 01-06 | Bracket Gauge Wheel RF 92 CRD | | | |
| 36 | 532 14 67-63 | Pulley Idler V-Groove Dim 4.25 | | | |
| 40 | 873 68 06-00 | Nut Crownlock 3/8-16 unc | | | |
| 41 | 873 90 06-00 | Nut Lock Flg. 3/8-16 unc | | | |

NOTE: All component dimensions given in U.S. inches
1 inch = 25.4 mm

**TRACTOR-MODEL NUMBER RE145H92RBK (96061013004), PRODUCT NO. 960 61 01-30
BAGGER**

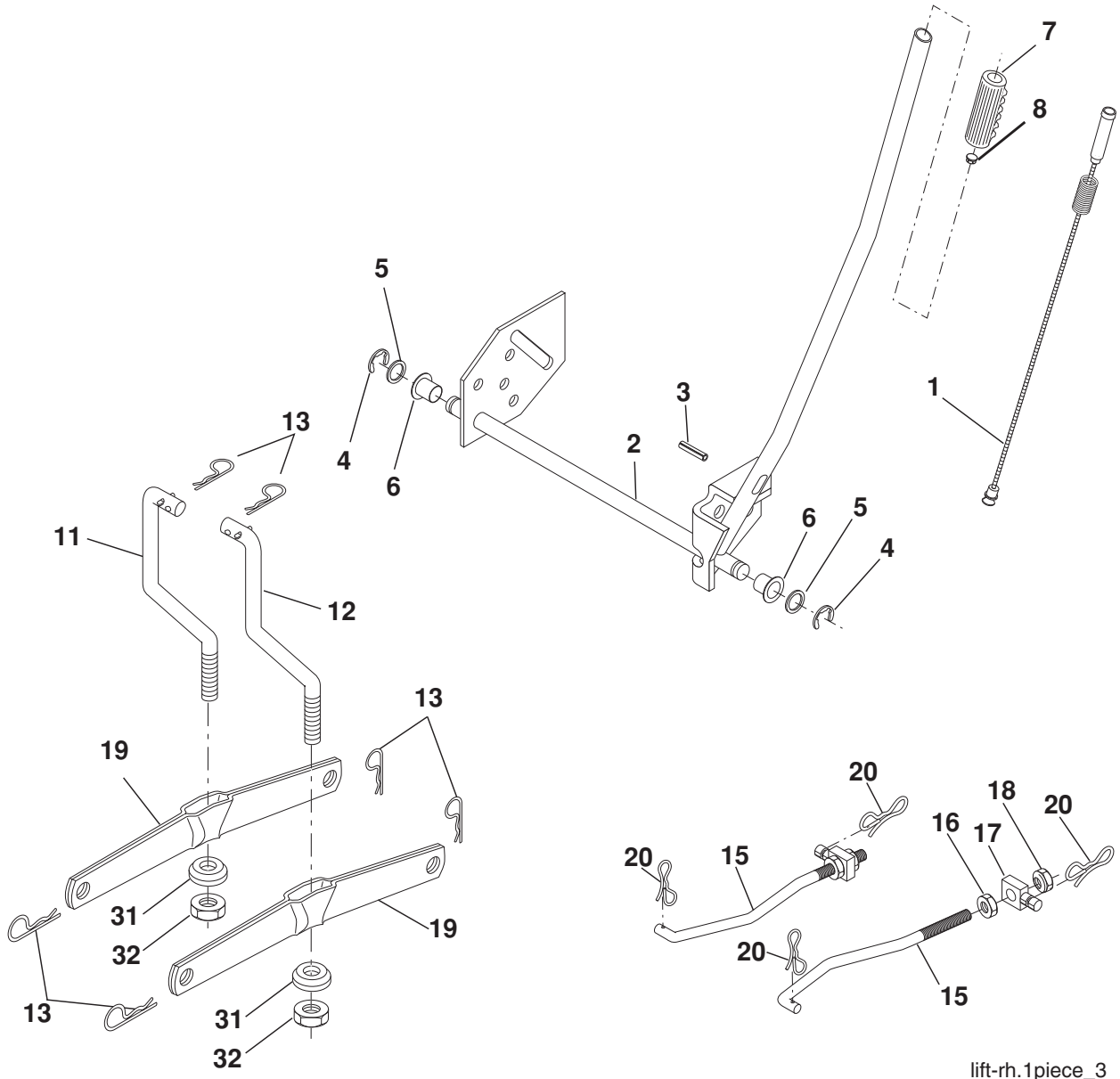


| KEY NO. | PART NO. | DESCRIPTION |
|---------|--------------|--------------------------------------|
| 1 | 532 16 52-49 | Tube Handle Bagger CRD |
| 3 | 532 12 39-76 | Nut Lock 1/4 Lge Flg Gr. 5 Zinc |
| 4 | 532 16 99-16 | Handle Bagger w/Lvrs Blk CRD |
| 5 | 874 98 10-24 | Screw Pan Head #10-24 x 1.50 Blk |
| 6 | 874 98 10-32 | Screw Pan Hd |
| 7 | 873 40 10-00 | Nut Wiz Lock Hex Serr/Hd 10-24 |
| 8 | 532 18 13-54 | Cover Bagger |
| 9 | 872 14 04-18 | Bolt Carriage 1/4-20 x 2.25d x Gr. 5 |
| 10 | 532 18 12-82 | Tube Support Bagger CRD |
| 11 | 532 16 57-19 | Bracket Support Upper Bag CRD |
| 12 | 532 18 88-48 | Bracket Pivot LH |
| 13 | 874 76 06-12 | Bolt Fin Hex 3/8-16 unc x 3/4 |
| 14 | 874 52 06-36 | Bolt Fin Hex 3/8-16 x 2-1/4 Gr. 5 |
| 15 | 532 12 46-70 | Retainer Spring |
| 16 | 873 90 06-00 | Nut Lock Flange 3/8-16 unc |
| 17 | 872 14 05-06 | Bolt Rdhd Sht Sqnk 5/16-18 unc x 3/4 |
| 19 | 873 90 05-00 | Nut Lock Hex Flange 5/16-18 |
| 20 | 532 18 88-47 | Bracket Pivot RH |
| 21 | 532 40 61-80 | Bag Asm CRD |
| 22 | 532 16 57-81 | Bracket Side Bagger CRD |
| 24 | 532 16 57-83 | Tube Pivot Bagger CRD |
| 25 | 532 19 37-05 | Tube Front Bagger |

| KEY NO. | PART NO. | DESCRIPTION |
|---------|--------------|-----------------------------------|
| 28 | 532 16 57-87 | Grip Handle |
| 31 | 532 16 94-84 | Retainer Clip |
| 32 | 532 12 68-75 | Rivet Rd Hd Drilled 3/8 Dia |
| 33 | 532 16 55-71 | Plug Mulcher |
| 34 | 532 16 55-70 | Handle Mulcher |
| 35 | 532 16 55-72 | Pin Mulcher |
| 36 | 819 13 20-12 | Washer 13/32 x 1-1/4 x 12 Ga. |
| 37 | 532 17 54-01 | Plug Support Bagger CRD |
| 38 | 872 01 05-20 | Bolt 5/16-18 x 2-1/2 |
| 39 | 532 41 62-57 | Seal |
| 41 | 532 16 96-83 | Bracket Pnt Adj Pvt Bagger CRD |
| 43 | 532 17 40-83 | Plug Tubing End |
| 46 | 872 11 05-10 | Bolt Carr. 5/16-18 x 1-1/4 Gr. 5 |
| 47 | 532 19 37-04 | Tube Upper Bagger |
| 49 | 532 19 33-05 | Bar Spreader |
| 50 | 873 80 05-00 | Nut Lock Hex W/Ins. 5/16-18 unc |
| 51 | 532 19 99-03 | Latch Spring Bagger |
| 53 | 873 51 04-00 | Nut Keps Hex 1/4-20 unc |
| 54 | 872 14 04-06 | Bolt RDHD SQNK 1/4-20 x 3/4 Gr. 5 |

NOTE: All component dimensions given in U.S. inches
1 inch = 25.4 mm

**TRACTOR-MODEL NUMBER RE145H92RBK (96061013004), PRODUCT NO. 960 61 01-30
MOWER LIFT**



lift-rh.1piece_3

| KEY NO. | PART NO. | DESCRIPTION |
|---------|--------------|---------------------------|
| 1 | 532 40 50-07 | Plunger Asm. Lift Lvr. |
| 2 | 532 19 80-70 | Shaft Asm. Lift |
| 3 | 532 18 88-22 | Pin Groove |
| 4 | 812 00 00-02 | E Ring #5133-62 |
| 5 | 819 21 16-21 | Washer 21/32 x 1 x 21 Ga. |
| 6 | 532 12 01-83 | Bearing Nylon |
| 7 | 532 10 94-13 | Grip Handle Fluted |
| 8 | 532 12 45-26 | Button Plunger Black |
| 11 | 532 16 58-29 | Link Asm Lift LH |
| 12 | 532 16 58-31 | Link Asm Lift RH |
| 13 | 532 12 46-70 | Retainer Spring |

| KEY NO. | PART NO. | DESCRIPTION |
|---------|--------------|-----------------------------|
| 15 | 532 17 32-88 | Link Front |
| 16 | 873 35 08-00 | Nut Jam Hex 1/2-13 unc |
| 17 | 532 17 56-89 | Trunnion Blk Zinc |
| 18 | 873 80 08-00 | Nut Lock w/Wsh 1/2-13 unc |
| 19 | 532 13 98-68 | Arm Suspension Mower |
| 20 | 532 19 42-09 | Pin Cotter 7/16 Bowtie Lock |
| 31 | 532 16 98-65 | Bearing, Pvt. Lift. |
| 32 | 873 54 06-00 | Nut Crownlock 3/8-24 |

NOTE: All component dimensions given in U.S. inches
1 inch = 25.4 mm

LIMITED WARRANTY

The Manufacturer warrants to the original consumer purchaser that this product as manufactured is free from defects in materials and workmanship. For a period of one (1) year from date of purchase by the original consumer purchaser, we will repair or replace, at our option, without charge for parts or labor incurred in replacing parts, any part which we find to be defective due to materials or workmanship. This Warranty is subject to the following limitations and exclusions.

1. This warranty does not apply to the engine. Please contact your nearest dealer where they will send the machine to the engine manufacturer.
2. Transportation charges for the movement of any power equipment unit or attachment are the responsibility of the purchaser. Transportation charges for any parts submitted for replacement under this warranty must be paid by the purchaser unless such return is requested by your dealer.
3. Battery Warranty: On products equipped with a Battery, we will replace, without charge to you, any battery which we find to be defective in manufacture, during the first ninety (90) days of ownership. After ninety (90) days, we will exchange the Battery, charging you 1/12 of the price of a new Battery for each full month from the date of the original sale. Battery must be maintained in accordance with the instructions furnished.
4. The Warranty period for any products used for rental or commercial purposes is limited to 90 days from the date of original purchase.
5. This Warranty applies only to products which have been properly assembled, adjusted, operated, and maintained in accordance with the instructions furnished. This Warranty does not apply to any product which has been subjected to alteration, misuse, abuse, improper assembly or installation, delivery damage, or to normal wear of the product.
6. Exclusions: Excluded from this Warranty are belts, blades, blade adapters, normal wear, normal adjustments, standard hardware and normal maintenance.
7. In case of any problem within the boundaries of this warranty, contact the nearest department store, indicate the model number, serial number and the date of purchase of your machine. This warranty does not apply to accidental damages. All implicit warranties are limited to the same time frames. Or contact:

E.M. Services
54 Rue Lambrechts
92400 Courbevoie
France
Telephone: (1) 46678078
Fax: (1) 46678095

THIS WARRANTY DOES NOT APPLY TO INCIDENTAL OR CONSEQUENTIAL DAMAGES. ANY IMPLIED WARRANTIES ARE LIMITED TO THE SAME TIME PERIODS STATED HEREIN.

Rally