

REPAIR PARTS MANUAL
MODEL NO. RELT1236B
Lawn Tractor

Rally

HOW TO USE THIS MANUAL

This manual is designed to provide the customer with a means to identify the parts on his/her tractor when ordering repair parts. The illustrations may or may not represent the actual assemblies; therefore, it is not recommended to use this manual as a guide to assemble or disassemble the tractor. Some hardware and parts are drawn larger in order to more readily identify them.

Each tractor has its own model number.

The model number for your tractor can be found on the fender under the seat.

When ordering parts, always give the following information:

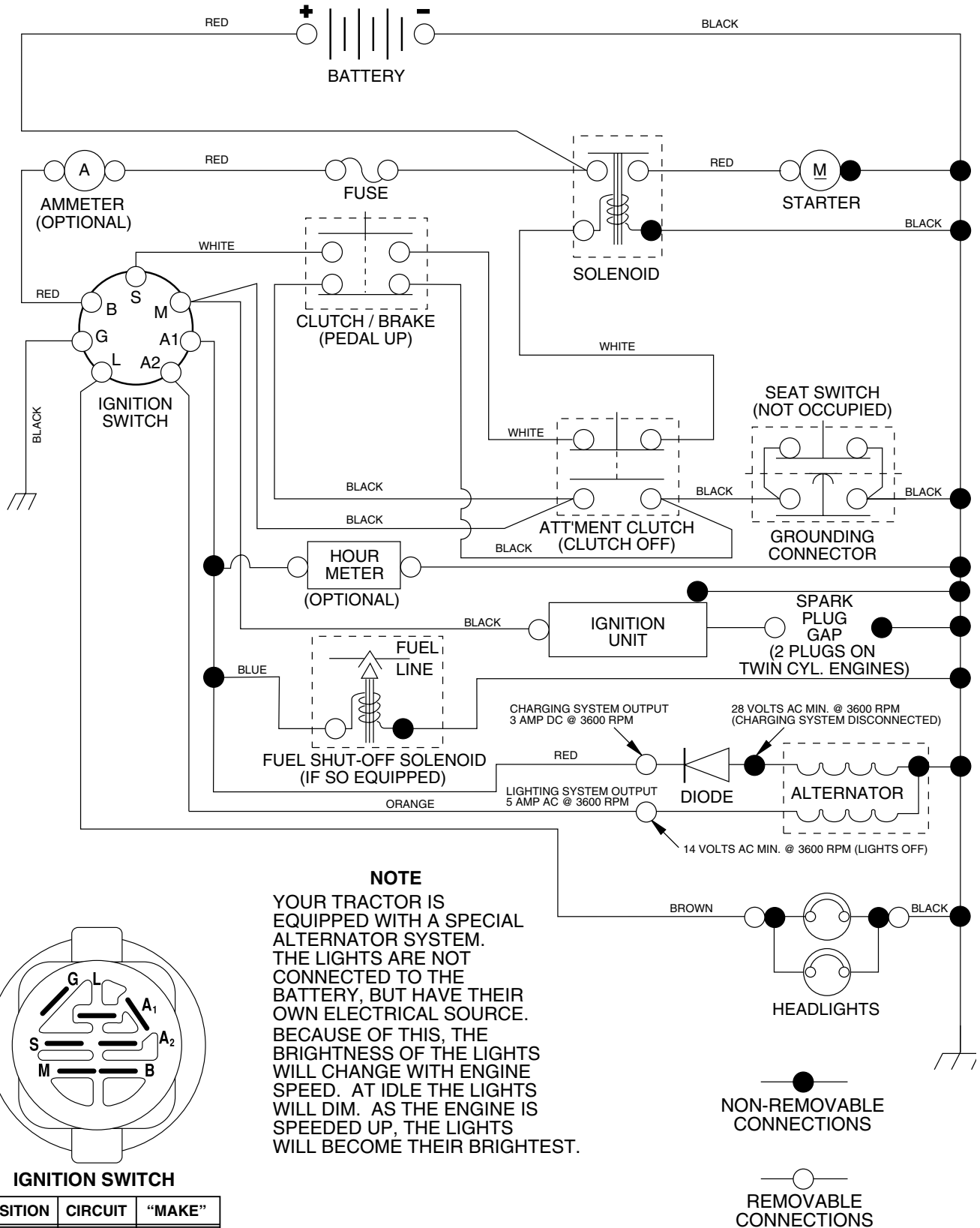
- Product - "Lawn Tractor"
- Model Number - "RELT1236B"
- Part Number
- Part Description

TABLE OF CONTENTS

| | |
|------------------------------------|--------------|
| SCHEMATIC..... | 3 |
| ELECTRICAL..... | 4-5 |
| CHASSIS AND ENCLOSURES..... | 6-7 |
| DRIVE..... | 8-9 |
| STEERING..... | 10-11 |
| ENGINE..... | 12 |
| SEAT..... | 13 |
| DECALS..... | 14 |
| MOWER LIFT..... | 15 |
| MOWER DECK..... | 16-17 |

TRACTOR - - MODEL NUMBER RELT1236B

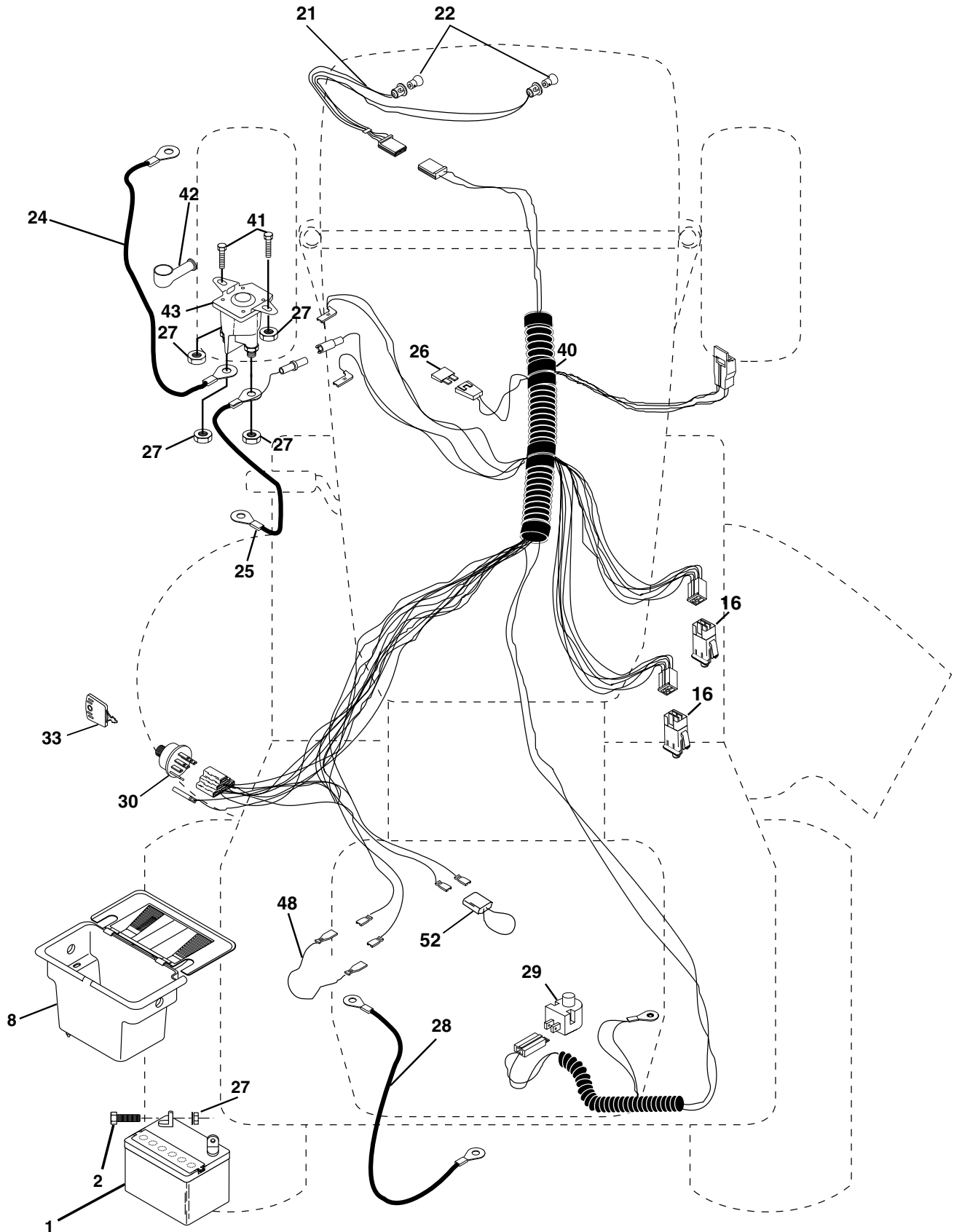
SCHEMATIC



REPAIR PARTS

TRACTOR - - MODEL NUMBER RELT1236B

ELECTRICAL



REPAIR PARTS

TRACTOR - - MODEL NUMBER RELT1236B

ELECTRICAL

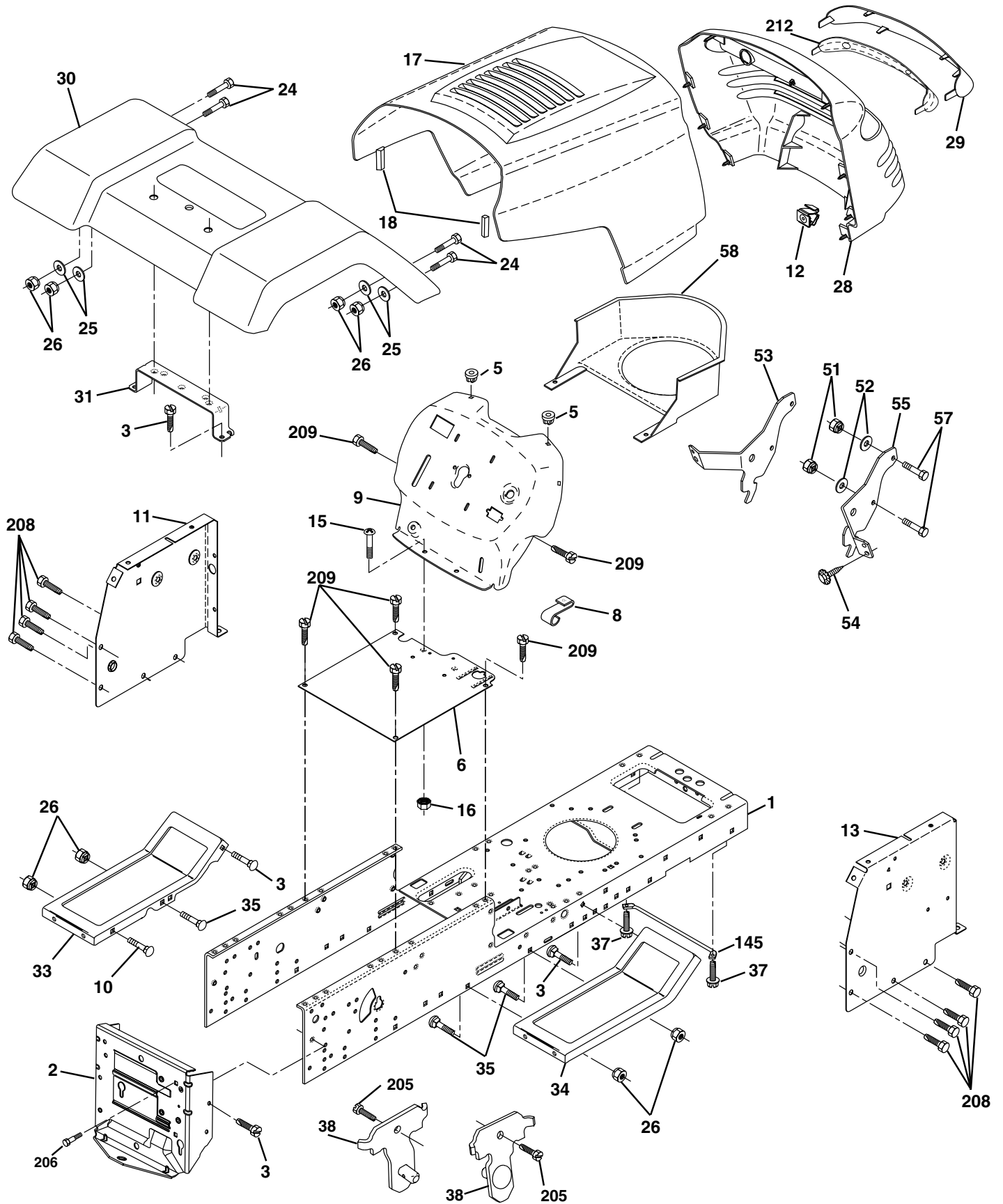
| KEY NO. | PART NO. | DESCRIPTION |
|---------|---------------|------------------------------------|
| 1 | 144925 | Battery 12 Volt 25 Amp |
| 2 | 74760412 | Bolt Hex Hd 1/4-20unc X 3/4 |
| 8 | 156417 | Case Battery |
| 16 | 153664 | Switch Interlock Push-In |
| 21 | 166181 | Harness Asm Light W/4152J |
| 22 | 4152J | Bulb Light #1156 |
| 24 | 4799J | Cable Starter 6 Ga 11"red |
| 25 | 146147 | Cable Battery 6 Ga red W/ 16" Wire |
| 26 | 175158 | Fuse |
| 27 | 73510400 | Nut, Keps Hex 1/4-20 UNC |
| 28 | 4207J | Cable Ground 6 Ga 12" black |
| 29 | 121305X | Switch Plunger Nc Gray |
| 30 | 175566 | Switch, Ignition |
| 33 | 140401 | Key Ign |
| 40 | 178437 | Harness Ign |
| 41 | 71110408 | Bolt Blk Fin Hex 1/4-20 x 1/2 |
| 42 | 131563 | Cover Terminal Red |
| 43 | 178861 | Solenoid |
| 48 | 140844 | Adapter Ammeter Rectangular |
| 52 | 141940 | Protection Wire Loop |

NOTE: All component dimensions give in U.S. inches
1 inch = 25.4 mm.

REPAIR PARTS

TRACTOR - - MODEL NUMBER RELT1236B

CHASSIS AND ENCLOSURES



REPAIR PARTS

TRACTOR - - MODEL NUMBER RELT1236B

CHASSIS AND ENCLOSURES

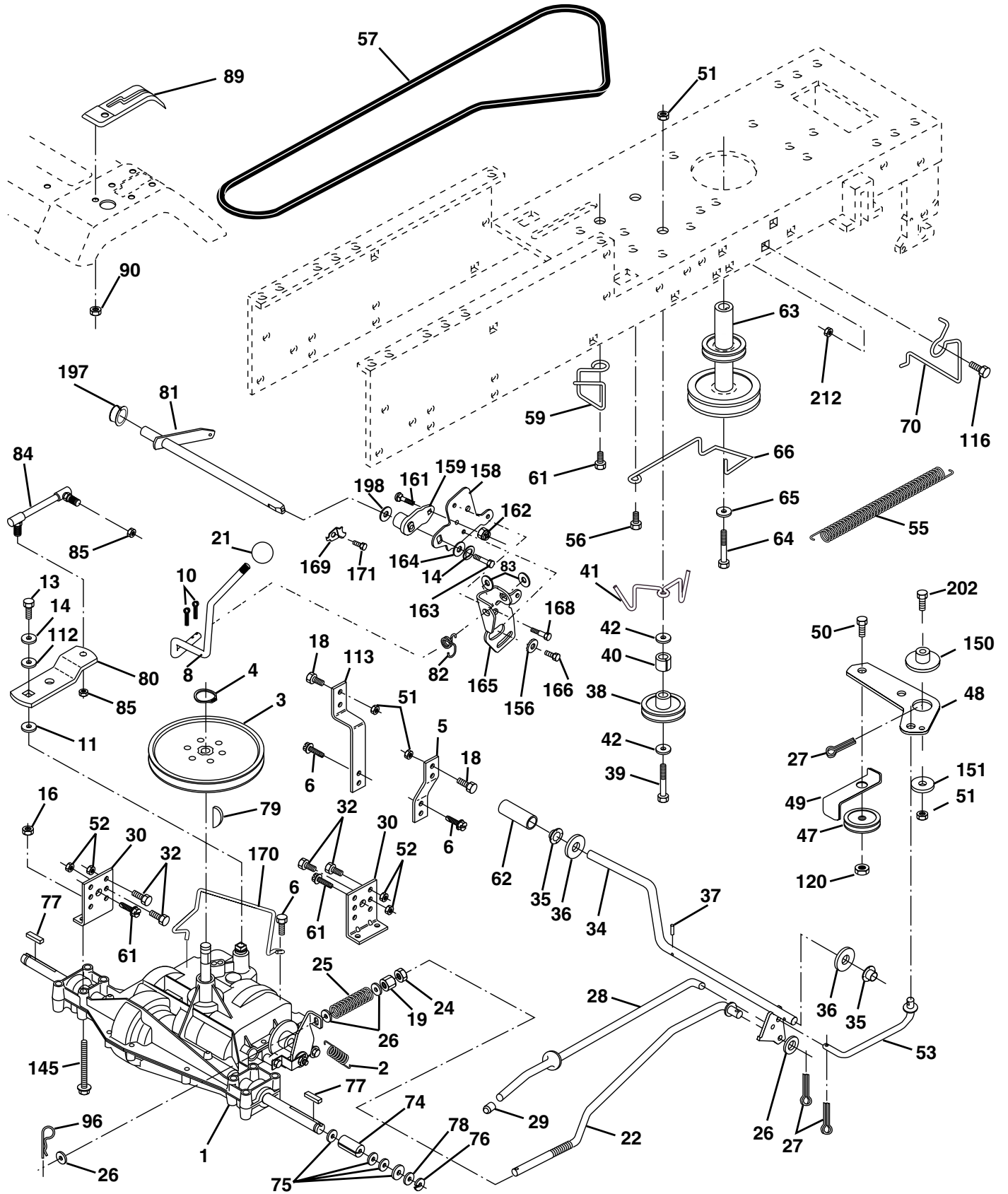
| KEY NO. | PART NO. | DESCRIPTION |
|---------|-----------------|---|
| 1 | 174620 | Chassis |
| 2 | 176554 | Drawbar |
| 3 | 17060612 | Screw 3/8-16 x 3/4 |
| 5 | 155272 | Bumper Hood/Dash |
| 6 | 155923 | Saddle |
| 8 | 155138 | Clip, Retainer Slide-On |
| 9 | 168347X011 | Dash |
| 10 | 72140608 | Bolt, Carriage 3/8-16 x 1 |
| 11 | 155927 | Dashboard, panel LH |
| 12 | 145660 | Clip Tinnerman Grille P/L |
| 13 | 172107X010 | Dashboard, panel RH |
| 15 | 74180512 | Machine screw 5/16-18 unc x 3/4 |
| 16 | 73510500 | Nut, Keps 5/16-18 Unc |
| 17 | 159639X505 | Hood Pnt Stl P/L w/Trim 505 |
| 18 | 126938X | Bumper Hood |
| 24 | 74780616 | Bolt, Hex Head, Fin. 3/8-16 x 1 Grade 5 |
| 25 | 19131312 | Washer 13/32 x 13/16 x 12 Gauge |
| 26 | 73800600 | Nut Lock Hex w/Ins. 3/8-16 Unc |
| 28 | 140434 | Grille/Lens Asm. |
| 29 | 140273X599 | Lens |
| 30 | 169467X505 | Fender |
| 31 | 136619 | Fender Bracket |
| 33 | 105476X505 | Footrest, LH |
| 34 | 105475X505 | Footrest, RH |
| 35 | 72110606 | Bolt 3/8-16 X 3/4 |
| 37 | 17490508 | Screw Thdrol 5/16-18 x 1/2 |
| 38 | 175710 | Bracket Asm. Pivot Mower Rear |
| 51 | 73800400 | Nut Lock, w/Insert 14/20 UNC |
| 52 | 19091416 | Washer 9/32 x 7/8 x 16 Ga. |
| 53 | 144697 | Bracket Grille |
| 54 | 161464 | Screw Hex WsHd 8-18 x 7/8 |
| 55 | 144696 | Bracket Grille RH |
| 57 | 74780412 | Bolt FinHex 1/4-20 UNC x .75 |
| 58 | 150127 | Duct Air Engine P/L LT |
| 145 | 156524 | Rod Pivot Chassis/Hood |
| 205 | 17490608 | Screw Thdrol 3/8-16 x 1/2 TYTT |
| 206 | 170165 | Bolt Shoulder 5/16-18 TT |
| 208 | 17670608 | Screw Thdrol 3/8-16 x 1/2 |
| 209 | 17000612 | Screw Hexwsh Thdr 3/8-16 x 3/4 |
| 212 | 156229 | Insert Lens Reflect |
| -- | 5479J | Button Plug |

NOTE: All component dimensions given in U.S. inches
1 inch = 25.4 mm

REPAIR PARTS

TRACTOR - - MODEL NUMBER RELT1236B

DRIVE



REPAIR PARTS

TRACTOR - - MODEL NUMBER RELT1236B

DRIVE

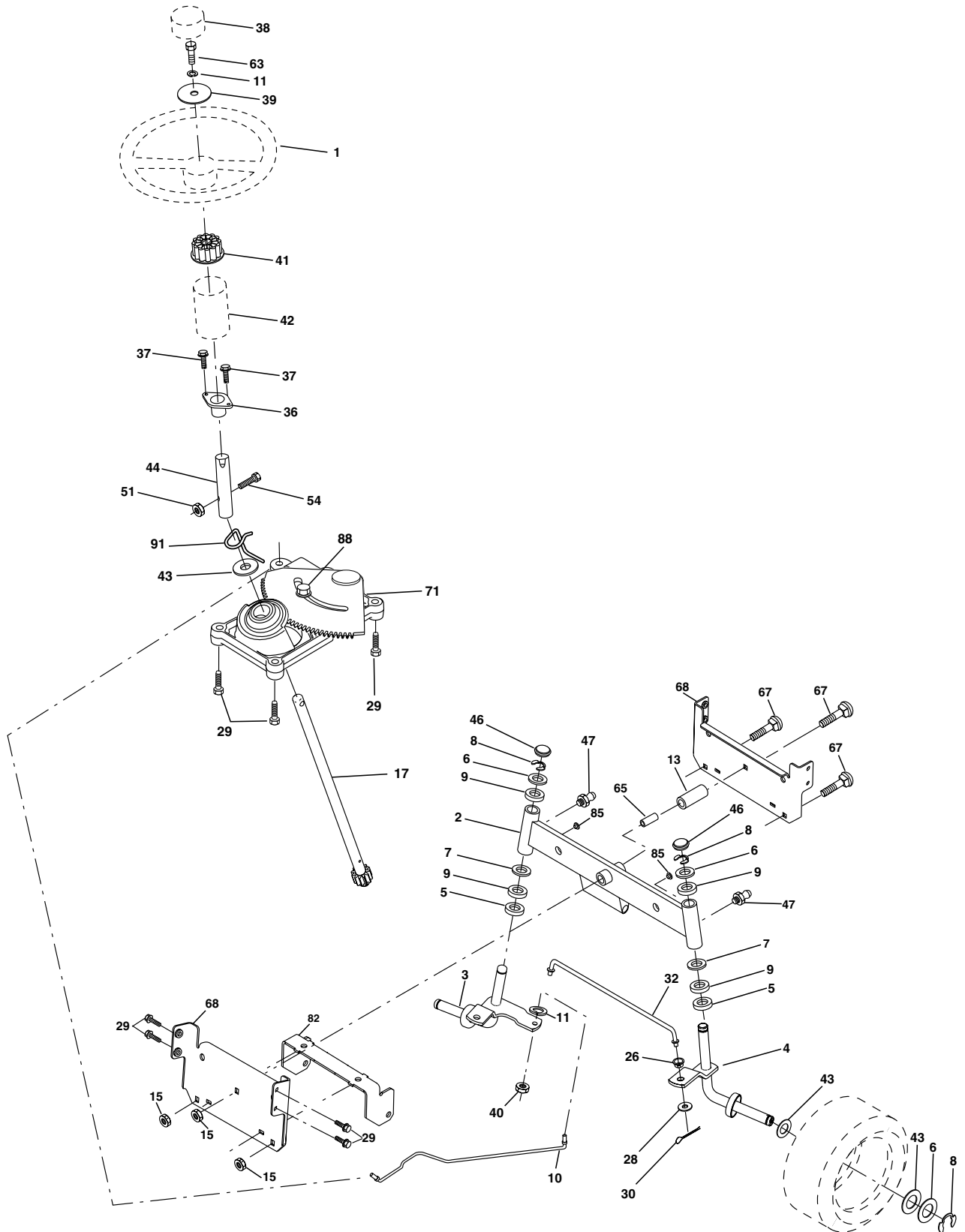
| KEY NO. | PART NO. | DESCRIPTION | KEY NO. | PART NO. | DESCRIPTION |
|---------|-----------------|--|---------|-----------------|-----------------------------------|
| 1 | ----- | Transaxle Peerless 205-544C (Order parts from transaxle manufacturer) | 63 | 175410 | Pulley, Engine |
| 2 | 146682 | Spring, Brake Return | 64 | 71170764 | Bolt, Hex 7/16-20 x 4 Gr. 5 |
| 3 | 123666X | Pulley, Transaxle | 65 | 10040700 | Washer, Lock Hvy Hlcl Spr 7/16 |
| 4 | 12000028 | Ring, Retainer | 66 | 154778 | Keeper, Belt Engine F-Proof |
| 5 | 121520X | Strap, Torque | 70 | 134683 | Guide Belt Mower Drive RH |
| 6 | 17060512 | Screw, 5/16-18 x 3/4 | 74 | 137057 | Spacer, Axle |
| 8 | 165619 | Rod Shift Fender Adjust LT | 75 | 121749X | Washer 25/32 x 1-1/4 x 16 Ga. |
| 10 | 76020416 | Pin, Cotter 1/8 x 1 | 76 | 12000001 | E-Ring |
| 11 | 105701X | Washer, Shift Plate | 77 | 123583X | Key Square |
| 13 | 74550412 | Bolt 1/4-28 UNF Gr. 8 w/Patch | 78 | 121748X | Washer 25/32 x 1-5/8 x 16 Ga. |
| 14 | 10040400 | Washer Lock | 79 | 2228M | Key Woodruff #9 3/16 x 3/4 |
| 16 | 73800500 | Nut Lock Hex w/lns 5/16-18 Unc | 80 | 131486 | Shift Arm |
| 18 | 74780616 | Bolt, Fin Hex 3/8-16 Unc x 1 Gr. 5 | 81 | 165594 | Shaft Asm Cross Tapered DA/PR 18 |
| 19 | 73800600 | Locknut 3/8-16 | 82 | 123782X | Spring, Torsion |
| 21 | 106933X | Knob | 83 | 19171216 | Washer 17/32 x 3/4 x 16 Gauge |
| 22 | 130804 | Rod, Brake | 84 | 166228 | Link, Transaxle PMST/18" Zinc |
| 24 | 73350600 | Nut, Hex Jam 3/8-16 | 85 | 150360 | Nut 1/4-28 |
| 25 | 106888X | Spring, Rod, Brake | 89 | 169370X428 | Console Shift |
| 26 | 19131316 | Washer 13/32 x 13/16 x 16 Gauge | 90 | 124346X | Nut, Washer Head, Self-Thread 1/4 |
| 27 | 76020412 | Pin, Cotter 1/8 x 3/4 | 96 | 4497H | Retainer Spring 1" Ziinc/Cad |
| 28 | 175765 | Rod, Brake, Park | 112 | 19091210 | Washer 9/32 x 3/4 x 10 Ga. |
| 29 | 71673 | Cap, Plunger | 113 | 127285X | Strap Torque L.H. Lt |
| 30 | 174973 | Bracket, Transaxle | 116 | 72140608 | Bolt, RdHd Sq Neck 3/8-16 x 1.00 |
| 32 | 74760512 | Bolt Hex Hd 5/16-18 UNC x 3/4 | 120 | 73900600 | Nut Lock Flg 3/8-16 |
| 34 | 175578 | Shaft, Foot Pedal | 145 | 74490540 | Bolt, Hex Flghd 5/16-18 Gr. 5 |
| 35 | 120183X | Bearing Nylon | 150 | 175456 | Spacer Retainer |
| 36 | 19211616 | Washer 21/32 x 1 x 16 Gauge | 151 | 19133210 | Washer 13/32 x 2 x 10 Ga. |
| 37 | 1572H | Pin, Roll 3/16 x 1 | 156 | 166002 | Washer Srrted 5/16ID x 1 x .125 |
| 38 | 165936 | Pulley Flat Comp 3.06 | 158 | 165589 | Bracket, Shift Mount |
| 39 | 74760648 | Bolt Fin Hex 3/8-16 Unc x 3 | 159 | 165494 | Hub, Tapered Flange Shift LT |
| 40 | 175461 | Spacer | 161 | 72140406 | Bolt Rdhd Sqnk 1/4-20 x 3/4 Gr 5 |
| 41 | 175556 | Keeper, Belt | 162 | 73680400 | Nut, Crownlock 1/4-20 UNC |
| 42 | 19131312 | Washer 13/32 x 13/16 x 12 Gauge | 163 | 74780416 | Bolt, Hex Fin 1/4-20 UNC x 1 Gr 5 |
| 47 | 127783 | Pulley, Idler | 164 | 19091010 | Washer 5/8 x .281 x 10 Ga |
| 48 | 154407 | Bellcrank Clutch Grnf Drv Stl | 165 | 165623 | Bracket Pivot Lever |
| 49 | 123205X | Retainer, Belt | 166 | 166880 | Screw 5/16-18 x 5/8 |
| 50 | 74760624 | Bolt, Hex 3/8-16 x 1-1/2 | 168 | 165492 | Bolt Shoulder 5/16-18 x .561 |
| 51 | 73680600 | Nut, Crownlock 3/8-16 | 169 | 165581 | Plate, Fastening LT |
| 52 | 73680500 | Nut, Crownlock 5/16-18 | 170 | 178394 | Keeper Belt T/A |
| 53 | 105710X | Link, Clutch | 171 | 17490608 | Screw Thdrol 3/8-16 x 1/2 TY-TT |
| 55 | 105709X | Spring, Return, Clutch | 197 | 169613 | Nyliner Snap-In 5/8" ID |
| 56 | 17060616 | Screw 3/8-16 x 1.0 | 198 | 169593 | Washer Nyl 7/8 Id x .105" |
| 57 | 130801 | V-Belt, Drive | 202 | 72110614 | Bolt Carr Sh 3/8-16 x 1-3/4 Gr 5 |
| 59 | 169691 | Keeper Belt Center Span | 212 | 145212 | Nut Hex Flange Lock |
| 61 | 17060612 | Screw, 3/8-16 x 3/4 | | | |
| 62 | 8883R | Cover, Foot Pedal | | | |

NOTE: All component dimensions given in U.S. inches
1 inch = 25.4 mm

REPAIR PARTS

TRACTOR - - MODEL NUMBER RELT1236B

STEERING



REPAIR PARTS

TRACTOR - - MODEL NUMBER RELT1236B

STEERING

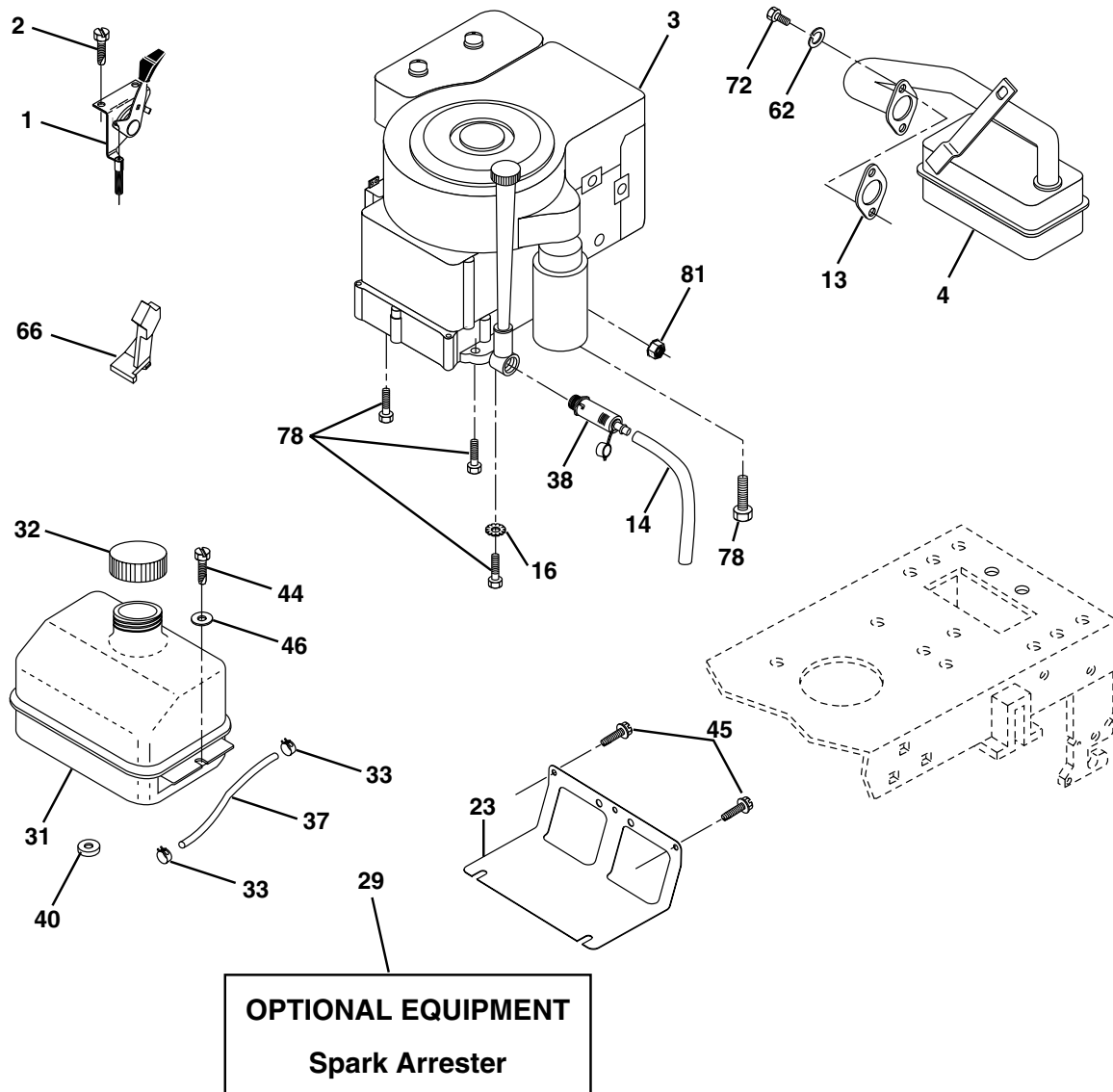
| KEY NO. | PART NO. | DESCRIPTION |
|---------|---------------|-----------------------------------|
| 1 | 133741X428 | Wheel, Steering |
| 2 | 154427 | Asm. Axle, Rear |
| 3 | 169840 | Asm., Spindle, Lh |
| 4 | 169839 | Asm., Spindle, Rh |
| 5 | 6266H | Bearing, Thrust, Hardened |
| 6 | 121748X | Washer 25/32 x 1-5/8 x 16 Ga. |
| 7 | 19272016 | Washer 27/32 x 1-1/4 x 16 Ga. |
| 8 | 12000029 | Ring, Clip |
| 9 | 3366R | Bearing |
| 10 | 175121 | Link, Drag |
| 11 | 10040600 | Washer, Lock |
| 13 | 136518 | Spacer Brg Axle Front |
| 15 | 145212 | Nut Hex Flange Lock |
| 17 | 177876 | Asm. Shaft, Steering |
| 26 | 126847X | Bushing, Link, Drag |
| 28 | 19131416 | Washer 13/32 x 7/8 x 16 Ga. |
| 29 | 17060612 | Screw, 3/8-16 x 3/4 |
| 30 | 76020412 | Pin, Cotter |
| 32 | 130465 | Rod, Tie |
| 36 | 155099 | Bushing, Steering |
| 37 | 152927 | Screw |
| 38 | 133742X428 | Insert, Steering |
| 39 | 19133812 | Washer 13/32 x 2-3/8 x 12 Ga. |
| 40 | 7810H | Nut |
| 41 | 100711L | Adapter, Steering |
| 42 | 145054X428 | Boot, Shaft Steering Blk |
| 43 | 121749X | Washer 25/32 x 1-1/4 x 16 Ga. |
| 44 | 153720 | Extension Steering Non-Adjust |
| 46 | 121232X | Cap, Spindle |
| 47 | 6855M | Fitting, Grease |
| 51 | 73800500 | Nut Lock Hex w/Ins. 5/16-18 Unc |
| 54 | 74780520 | Bolt Fin Hex 5/16-18 Unc x 1-1/4 |
| 63 | 74780616 | Bolt Fin Hex 3/8-16 Unc x 1 Gr. 5 |
| 65 | 160367 | Spacer Brace Axle |
| 67 | 72140618 | Bolt Rdhd Sq 3/8-16 Unc x 2-1/4 |
| 68 | 169827 | Axle, Brace |
| 71 | 175146 | Steering Asm. |
| 82 | 169835 | Bracket Susp Chassis Front |
| 85 | 133835 | Fastner Christmas Tree |
| 88 | 175118 | Bolt Shoulder 7/16-20 Unc |
| 91 | 175553 | Clip Steering |

NOTE: All component dimensions given in U.S. inches
1 inch = 25.4 mm

REPAIR PARTS

TRACTOR - - MODEL NUMBER RELT1236B

ENGINE



| KEY NO. | PART NO. | DESCRIPTION |
|---------|----------|---|
| 1 | 170865 | Control Th/ch Flag EEC |
| 2 | 17720410 | Screw Hex Thd Cut 1/4-20x5/8 T |
| 3 | ----- | Engine Briggs Model 289707 (Order parts from engine manufacturer) |
| 4 | 137348 | Muffler LT |
| 13 | 165291 | Gasket Eng 1 313 Id Tin Plated |
| 14 | 148456 | Tube Drain Oil Easy |
| 16 | 11050600 | Washer Lock Ext Tooth 3/8 |
| 23 | 169837 | Shield Brn/Dbr Guard |
| 29 | 137180 | Kit Spark Arrester (Flat Scrn) |
| 31 | 109202X | Tank Fuel Front 2 00 |
| 32 | 140527 | Cap Asm Fuel |
| 33 | 123487X | Clamp Hose Blk |

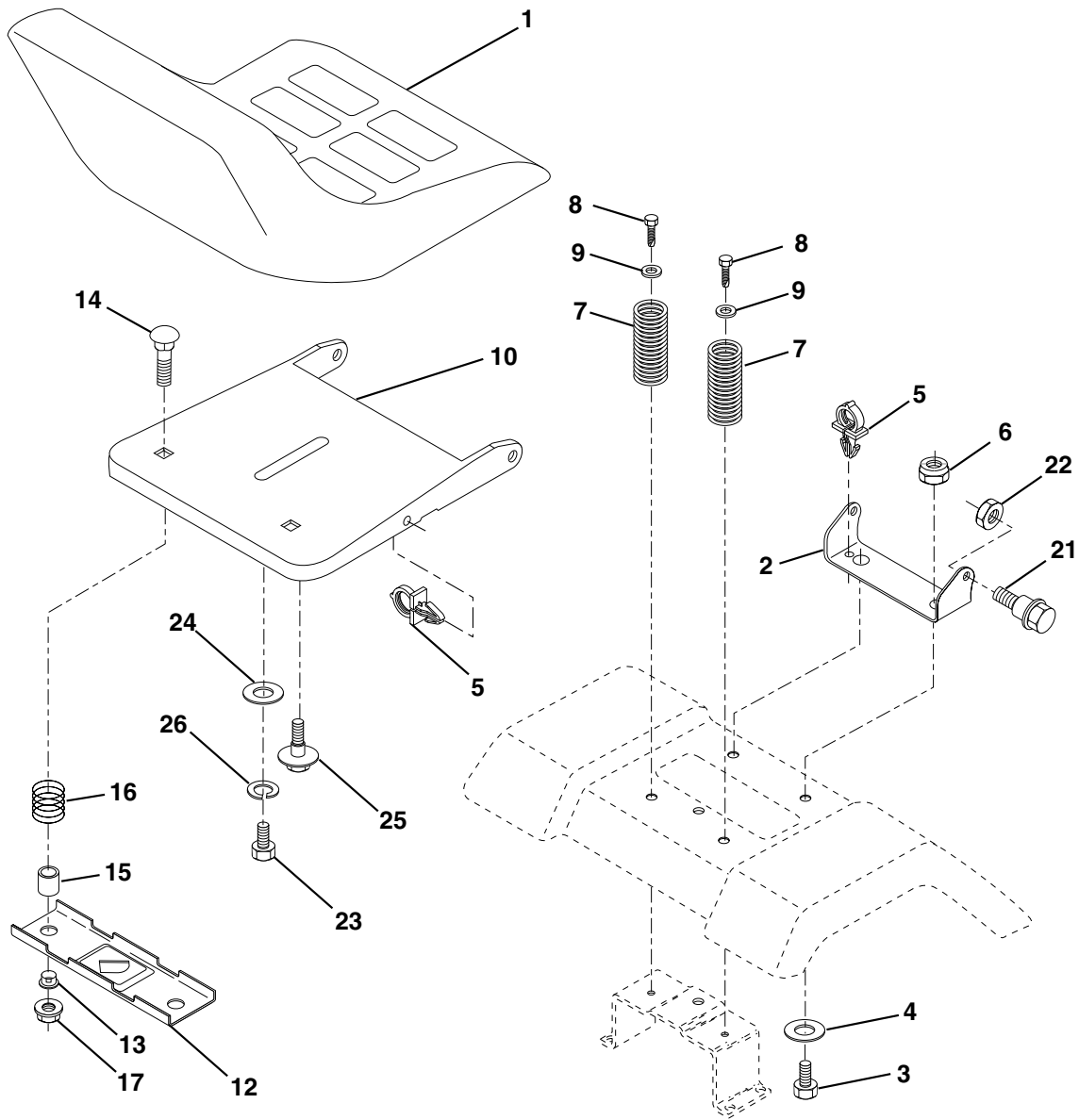
| KEY NO. | PART NO. | DESCRIPTION |
|---------|----------|---------------------------------|
| 37 | 137040 | Line Fuel |
| 38 | 148315 | Plug Drain Oil Easy |
| 40 | 124028X | Bushing Snap Nyl Blk Fuel Line |
| 44 | 17670412 | Screw Hexwsh Thdrol 1/4-20x3/4 |
| 45 | 17000612 | Screw Hex Wsh Thdr 3/8-16 x 3/4 |
| 46 | 19091416 | Washer 9/32 X 7/8 X 16 Ga |
| 62 | 10040500 | Washer 5/16 |
| 66 | 127951 | Stop Throttle 3000 RPM |
| 72 | 71070512 | Screw Hex Hd Cap 5/16-18 x 3/4 |
| 78 | 17060620 | Screw 3/8-16x1-1/4 |
| 81 | 73510400 | Nut Keps Hex 1/4-20 Unc |

NOTE: All component dimensions given in U.S. inches.
1 inch = 25.4 mm.

REPAIR PARTS

TRACTOR - - MODEL NUMBER RELT1236B

SEAT



| KEY NO. | PART NO. | DESCRIPTION |
|---------|----------|---------------------------------|
| 1 | 127426X | Seat |
| 2 | 140551 | Bracket, Pivot, Seat |
| 3 | 71110616 | Bolt |
| 4 | 19131610 | Washer 13/32 x 1 x 10 Ga. |
| 5 | 145006 | Clip, Push-in |
| 6 | 73800600 | Nut |
| 7 | 124181X | Spring, Seat |
| 8 | 17000616 | Screw, Thdrol 3/8-16 x 1-1/2 |
| 9 | 19131614 | Washer 13/32 x 1 x 14 Ga. |
| 10 | 174894 | Pan, Seat |
| 12 | 121246X | Bracket, Mounting, Switch, Seat |
| 13 | 121248X | Bushing, Nylon |

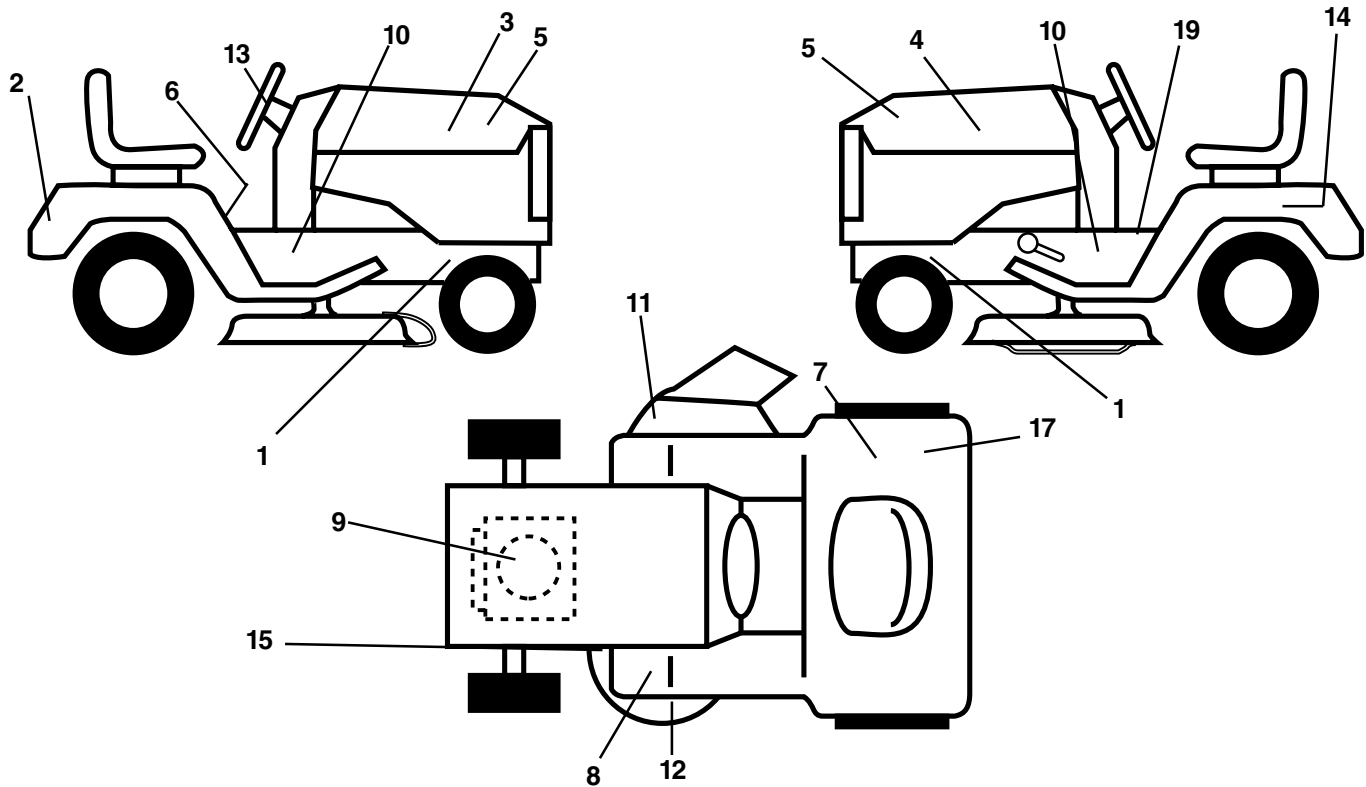
| KEY NO. | PART NO. | DESCRIPTION |
|---------|----------|--------------------------------|
| 14 | 72050412 | Nut, Crownlock 1/4-20 x 1-1/2 |
| 15 | 134300 | Spacer, Split |
| 16 | 121250X | Spring |
| 17 | 123976X | Nut, Lock, Flange 1/4 Gr. 5 |
| 21 | 171852 | Bolt, Shoulder 5/16-18 UNC |
| 22 | 73800500 | Nut |
| 23 | 71110814 | Bolt Hex Blk |
| 24 | 19171912 | Washer 17/32 x 1-3/16 x 12 Ga. |
| 25 | 127018X | Bolt Shoulder 5/16-18 x .62 |
| 26 | 10040800 | Washer Lock Hvy Hclc Spr 1/2 |

NOTE: All component dimensions given in U.S. inches
1 inch = 25.4 mm

REPAIR PARTS

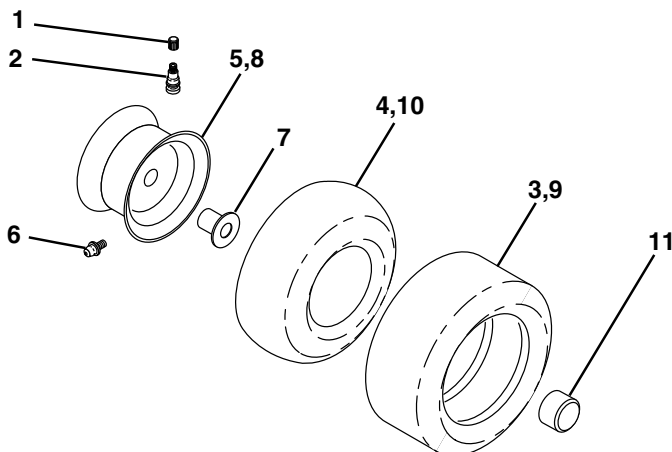
TRACTOR - - MODEL NUMBER RELT1236B

DECALS



| KEY NO. | PART NO. | DESCRIPTION | KEY NO. | PART NO. | DESCRIPTION |
|---------|----------|---------------------------------|---------|---------------|--|
| 1 | 159736 | Decal, Chassis Hot Muffler | 13 | 127075 | Decal Wheel Steering |
| 2 | 170752 | Decal, Fender Logo | 14 | 145005 | Decal, Battery Dan/Poi P/L Symbols |
| 3 | 153266 | Decal, Hood Rh | 15 | 136832 | Decal, V-Belt |
| 4 | 153267 | Decal, Hood Lh | 17 | 126187X | Decal, 100 DBA |
| 5 | 138610 | Decal, HP Hood | 19 | 140837 | Decal, Parking Brake |
| 6 | 145498 | Decal, Read Owner's Manual Syms | -- | 138311 | Decal, Handle, Lift, Height Adjust (Lift Handle) |
| 7 | 145437 | Decal, Europe Stand CE | -- | 162598 | Decal, Drawbar Load Limit |
| 8 | 159737 | Decal, Brake/Clutch Symbol LT | -- | 176894 | Manual, Operator's (European) |
| 9 | 170832 | Decal, HP Engine | -- | 176895 | Manual, Operator's (Scand) |
| 10 | 175699 | Decal Chassis 36" | -- | 178117 | Manual, Repair Parts |
| 11 | 145494 | Decal, Mower Cutfinger Symbol | | | |
| 12 | 134999 | Decal, Enviro Deck White | | | |

TIRES AND WHEELS



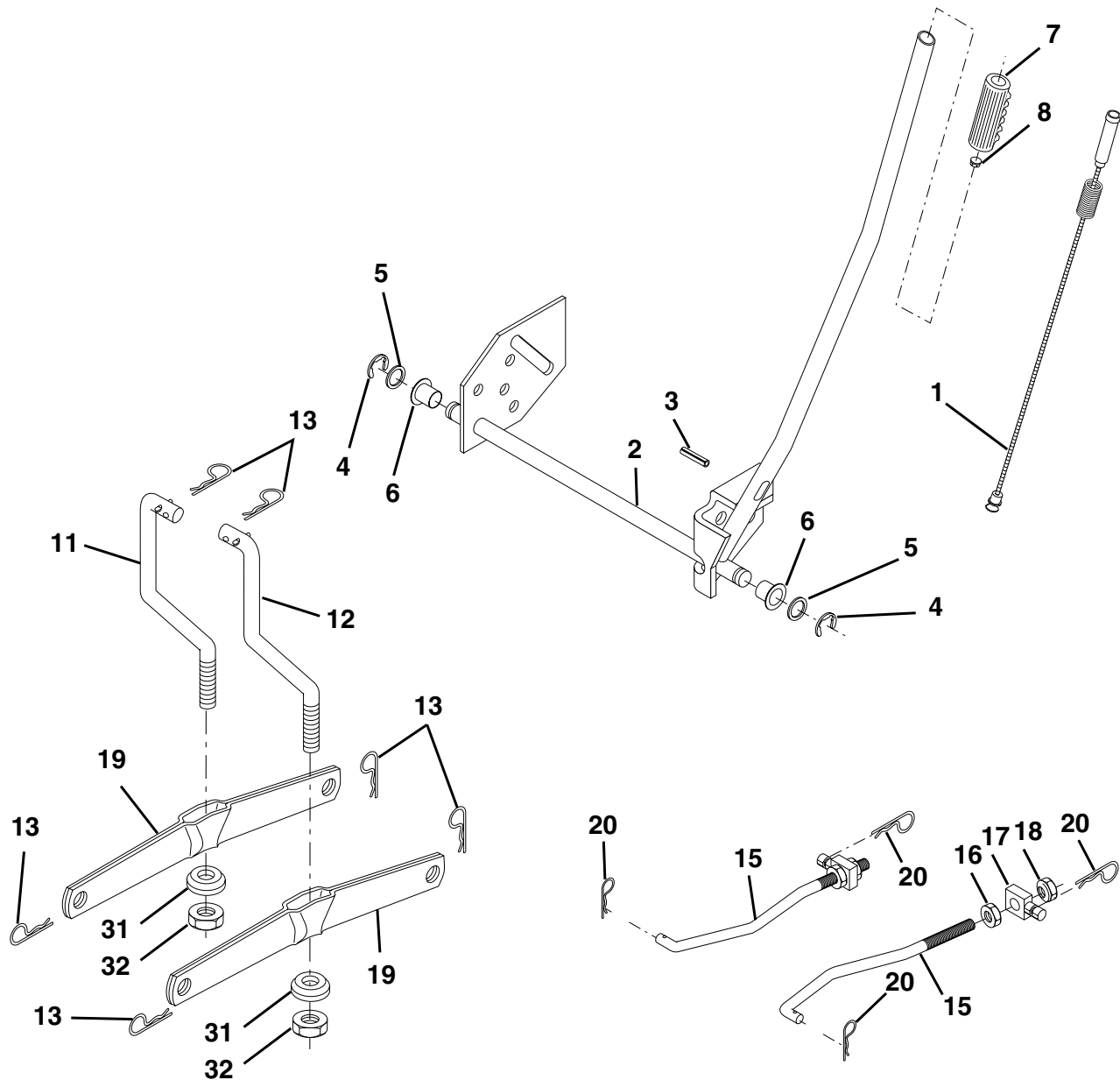
| KEY NO. | PART NO. | DESCRIPTION |
|---------|------------|-----------------------------------|
| 1 | 59192 | Cap, Valve |
| 2 | 65139 | Stem, Valve |
| 3 | 106222X | Tire Front |
| 4 | 59904 | Tube, Front (not furnished) |
| 5 | 106732X427 | Rim, Asm. Front |
| 6 | 278H | Grease Fitting (rear tire only) |
| 7 | 9040H | Bearing, Flange (front tire only) |
| 8 | 106108X427 | Rim, Asm. Rear |
| 9 | 124635X | Tire, Rear |
| 10 | 7152J | Tube, Rear (not furnished) |
| 11 | 104757X428 | Cap, Axle |
| -- | 144334 | Sealant, Tire (10 oz. Tube) |

NOTE: All component dimensions given in U.S. inches
1 inch = 25.4 mm

REPAIR PARTS

TRACTOR - - MODEL NUMBER RELT1236B

MOWER LIFT



| KEY NO. | PART NO. | DESCRIPTION |
|---------|----------|-------------------------------|
| 1 | 175150 | Asm. Inner Wire w/Plunger |
| 2 | 159471 | Asm., Shaft, Lift |
| 3 | 105767X | Pin, Groove |
| 4 | 12000002 | Ring, E #5133-62 |
| 5 | 19211621 | Washer 21/32 x 1 x 21 Ga. |
| 6 | 120183X | Bearing, Nylon |
| 7 | 109413X | Grip Handle Bicycle Matte Blk |
| 8 | 124526X | Button, Plunger |
| 11 | 139865 | Link, Lift, Lh |
| 12 | 139866 | Link, Lift, Rh |
| 13 | 4939M | Spring, Retainer |

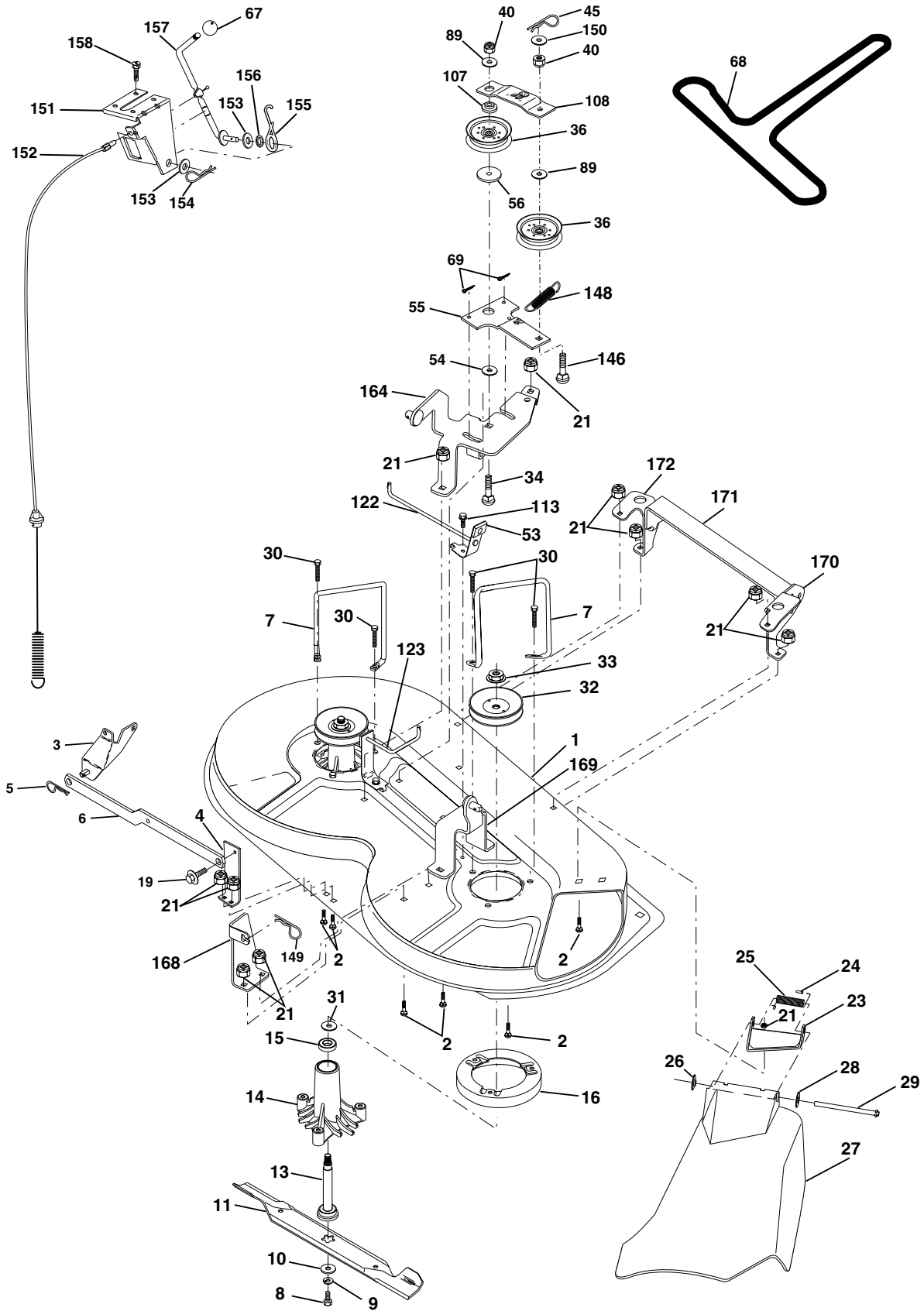
| KEY NO. | PART NO. | DESCRIPTION |
|---------|----------|---------------------------|
| 15 | 173288 | Link, Front |
| 16 | 73350800 | Nut, Jam, Hex 1/2-13 Unc |
| 17 | 175689 | Trunnion |
| 18 | 73800800 | Nut Lock w/wsh 1/2-13 Unc |
| 19 | 139868 | Arm, Suspension, Rear |
| 20 | 163552 | Spring, Retainer |
| 31 | 169865 | Bearing, Pvt Lft |
| 32 | 73540600 | Nut Crownlock 3/8-24 |

NOTE: All component dimensions given in U.S. inches
1 inch = 25.4 mm

REPAIR PARTS

TRACTOR - - MODEL NUMBER RELT1236B

MOWER DECK



REPAIR PARTS

TRACTOR - - MODEL NUMBER RELT1236B

MOWER DECK

| KEY NO. | PART NO. | DESCRIPTION | KEY NO. | PART NO. | DESCRIPTION |
|---------|---------------|---------------------------------|---------|----------|---|
| 1 | 174595 | Mower Deck Assembly | 55 | 133840 | Idler Arm Assembly |
| 2 | 72140506 | Bolt | 56 | 165723 | Spacer, Retainer |
| 3 | 138017 | Bracket Assembly, Sway Bar | 67 | 106932X | Knob RD 3/8-16 Plstc Thd |
| 4 | 175654 | Bracket Sway Bar | 68 | 174978 | Belt |
| 5 | 4939M | Retainer Spring | 69 | 76020312 | Pin, Cotter 3/32 x 3/4 |
| 6 | 130832 | Arm, Suspension, Rear | 89 | 19131612 | Washer 13/32 x 1 x 12 Ga |
| 7 | 140608 | Keeper Belt | 107 | 133502 | Spacer, Retainer |
| 8 | 850857 | Bolt, Hex 3/8-24 x 1.25 Gr. 8 | 108 | 133503 | Stiffener, Idler Arm |
| 9 | 10030600 | Washer, Lock Hvy Hlcl 3/8 | 113 | 17490508 | Screw Thdrol 5/16-18 x 1/2 |
| 10 | 140296 | Washer, Hardened | 122 | 174505 | Rod, Brake, LH |
| 11 | 138496 | Blade, Mower | 123 | 174504 | Rod, Brake, RH |
| 13 | 137645 | Shaft Assembly, Mandrel, Vented | 146 | 165891 | Bolt Carriage Idler |
| 14 | 128774 | Housing, Mandrel, Vented | 148 | 169022 | Spring Return Idler |
| 15 | 110485X | Bearing, Ball, Mandrel | 149 | 165898 | Retainer Spring Yellow Zinc |
| 16 | 174493 | Stripper, Mandrel Deck | 150 | 19091216 | Washer 9/32 x 3/4 x 16 Ga. |
| 19 | 132827 | Bolt, Shoulder | 151 | 169670 | Bracket Clutch |
| 21 | 73680500 | Nut Crownlock 5/16-18 | 152 | 176079 | Cable Clutch |
| 23 | 136631 | Bracket, Mower Deflector | 153 | 169674 | Washer Flat 3/8" Type B |
| 24 | 105304X | Cap, Sleeve | 154 | 169675 | Spring Retainer |
| 25 | 123713X | Spring, Torsion, Deflector | 155 | 169671 | Spring Retention Lever |
| 26 | 110452X | Nut, Push | 156 | 169672 | Spacer |
| 27 | 175029X428 | Shield, Deflector | 157 | 169669 | Rod Clutch |
| 28 | 19111016 | Washer 11/32 x 5/8 x 16 Ga. | 158 | 17720410 | Screw Hex Thd Cut 1/4-20x5/8 |
| 29 | 121980X | Rod, Hinge | 164 | 174976 | Bracket Asm Idler Support |
| 30 | 157722 | Screw Thdrol Washer Head | 168 | 172377 | Bracket Deck Cable |
| 31 | 129963 | Washer, Spacer | 169 | 174977 | Bracket Asm Suspension |
| 32 | 153531 | Pulley, Mandrel | 170 | 172359 | Bracket Suspension RF |
| 33 | 178342 | Nut, Toplock, Flanged | 171 | 165237 | Brace Support Susp. Frt |
| 34 | 72110614 | Bolt Rdhd 3/8-16 x 1-3/4 | 172 | 172355 | Bracket Suspension LF |
| 36 | 131494 | Pulley, Idler, Flat | -- | 130794 | Mandrel Assembly (Includes Key Numbers 13-15, 17-19, 31 and 33) |
| 40 | 73680600 | Nut Crownlock 3/8-16 | -- | 175254 | Replacement Mower, Complete |
| 45 | 4497H | Retainer, Spring | | | |
| 53 | 130840 | Brake Assembly | | | |
| 54 | 133943 | Washer, Hardened | | | |

NOTE: All component dimensions given in U.S. inches
1 inch = 25.4 mm



TECUMSEH

SERVICE POLICY WARRANTY



TECUMSEH

Issued January 1980
Revised January 1991

LIMITED WARRANTIES FOR NEW PEERLESS GEAR POWER TRAIN COMPONENTS

A. Products Warranted

Peerless Gear and Machine Division of Tecumseh Products Company ("Tecumseh"), subject to the limitations contained below, will, at its option, repair or replace, without charge for parts or labor only, any part of a new Power Train Component (which as used herein means and includes the transaxle, gear box, transmission, differential and right angle drives, and any part of the Power Train Component), EXCEPT any new Power Train Component incorporated in equipment used for commercial or rental purposes, which is found upon examination by any Tecumseh Authorized Service Outlet or by Tecumseh's factory in Grafton, Wisconsin, to be DEFECTIVE IN MATERIAL AND/OR WORKMANSHIP if received by Tecumseh or a Tecumseh Authorized Service Outlet for such examination within TWO YEARS from the date of sale to the original consumer purchaser of Peerless Series 820, 900, 910, 915, 920, 930 transaxles and Series 1100 angle drive and ONE YEAR for all other Peerless products. New Power Train Components incorporated in equipment used for commercial purposes are warranted in the same manner and to the same extent EXCEPT such Power Train Components are warranted for NINETY (90) DAYS ONLY, and must be received by Tecumseh or by a Tecumseh Authorized Service Outlet for such examination within 90 days from the date of sale to the original purchaser. New Power Train Components Incorporated in equipment used for rental purposes are warranted in the same manner and to the same extent EXCEPT such Power Train Components are warranted for THIRTY (30) DAYS ONLY, and must be received by Tecumseh or a Tecumseh Authorized Service Outlet within 30 days from the date of sale to the original purchaser.

B. Products And Items Not Warranted

1. Alterations or Modifications of Power Train Components.
2. Accidents, Normal Maintenance, Failure to follow the Original Equipment Manufacturer's Manual.

This warranty covers only parts of new Power Train Components which are found upon examination to be defective in material or workmanship as delivered to the original purchaser. This warranty does not cover defects caused by depreciation or damage caused by normal wear, accidents, improper maintenance, improper use or abuse of the product, failure to follow the instructions contained in an Instruction Manual for the operation of the Power Train Component and parts. The cost of normal maintenance and replacement of service items which are not defective shall be paid for by the original purchaser.

C. Securing Warranty Service

Warranty service can be arranged for by contacting either a Tecumseh Authorized Service Outlet (any Tecumseh Registered Service Dealer, Tecumseh Authorized Service Distributor, or Tecumseh Central Warehouse Distributor) or by contacting Tecumseh, c/o Service Manager, Engine and Transmission Group Service Division, 900 North Street, Grafton, Wisconsin 53024. Warranty service can only be performed by a Tecumseh Authorized Service Outlet or by Tecumseh at its factory in Grafton, Wisconsin. At the time of requesting warranty service, evidence must be presented of the date of sale to the original purchaser. The purchaser shall pay any charges for making service calls and/or for transporting the product to and from the place where the inspection and/or warranty work is performed. The purchaser shall be responsible for any damage or loss incurred in connection with the transportation of Power Train Components and/or part(s) of the Power Train Components submitted for inspection and/or warranty work.

D. Limitation of Damages and Implied Warranties

The foregoing EXPRESSED WARRANTY IS IN LIEU OF ALL OTHER EXPRESS WARRANTIES. Neither Tecumseh nor any of its affiliates makes any warranties, representations or promises, written or oral, as to the quality of the Power Train Component or any of its parts, other than as set forth herein.

ANY IMPLIED WARRANTY OF MERCHANTABILITY OR FITNESS FOR A PARTICULAR PURPOSE, TO THE EXTENT THAT EITHER MAY APPLY TO ANY PART(S) OF POWER TRAIN COMPONENTS, SHALL BE LIMITED IN DURATION TO THE PERIODS OF THE EXPRESSED WARRANTIES DEFINED IN PARAGRAPH A HEREOF. IN NO EVENT WILL TECUMSEH BE LIABLE FOR ANY INCIDENTAL, CONSEQUENTIAL OR SPECIAL DAMAGES AND/OR EXPENSES. Some states do not allow limitations on how long an implied warranty lasts or the exclusion or limitation of incidental or consequential damages, so the above limitation(s) or exclusion(s) may not apply to you. This warranty gives you specific legal rights and you may also have other legal rights which vary from state to state.

E. No Dealer Warranty

Tecumseh neither assumes nor authorizes any other person, natural or corporate, to assume for Tecumseh any other obligations or liabilities in connection with or with respect to any part(s) of a Power Train Component. The seller or dealer of part(s) of a Power Train Component has no authority, whatsoever, to make any representations or promises on behalf of Tecumseh or to modify the terms or limitations of Tecumseh's warranty in any way.