

REPAIR PARTS MANUAL
MODEL NO. REN1192(REN11T92A)
Lawn Tractor

Rally

HOW TO USE THIS MANUAL

This manual is designed to provide the customer with a means to identify the parts on his/her tractor when ordering repair parts. The illustrations may or may not represent the actual assemblies; therefore, it is not recommended to use this manual as a guide to assemble or disassemble the tractor. Some hardware and parts are drawn larger in order to more readily identify them.

Each tractor has its own model number.

The model number for your tractor can be found on the fender under the seat.

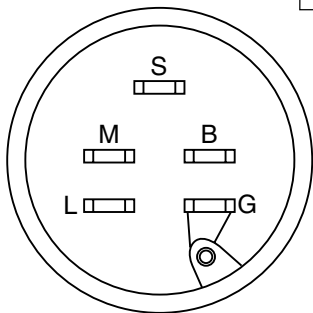
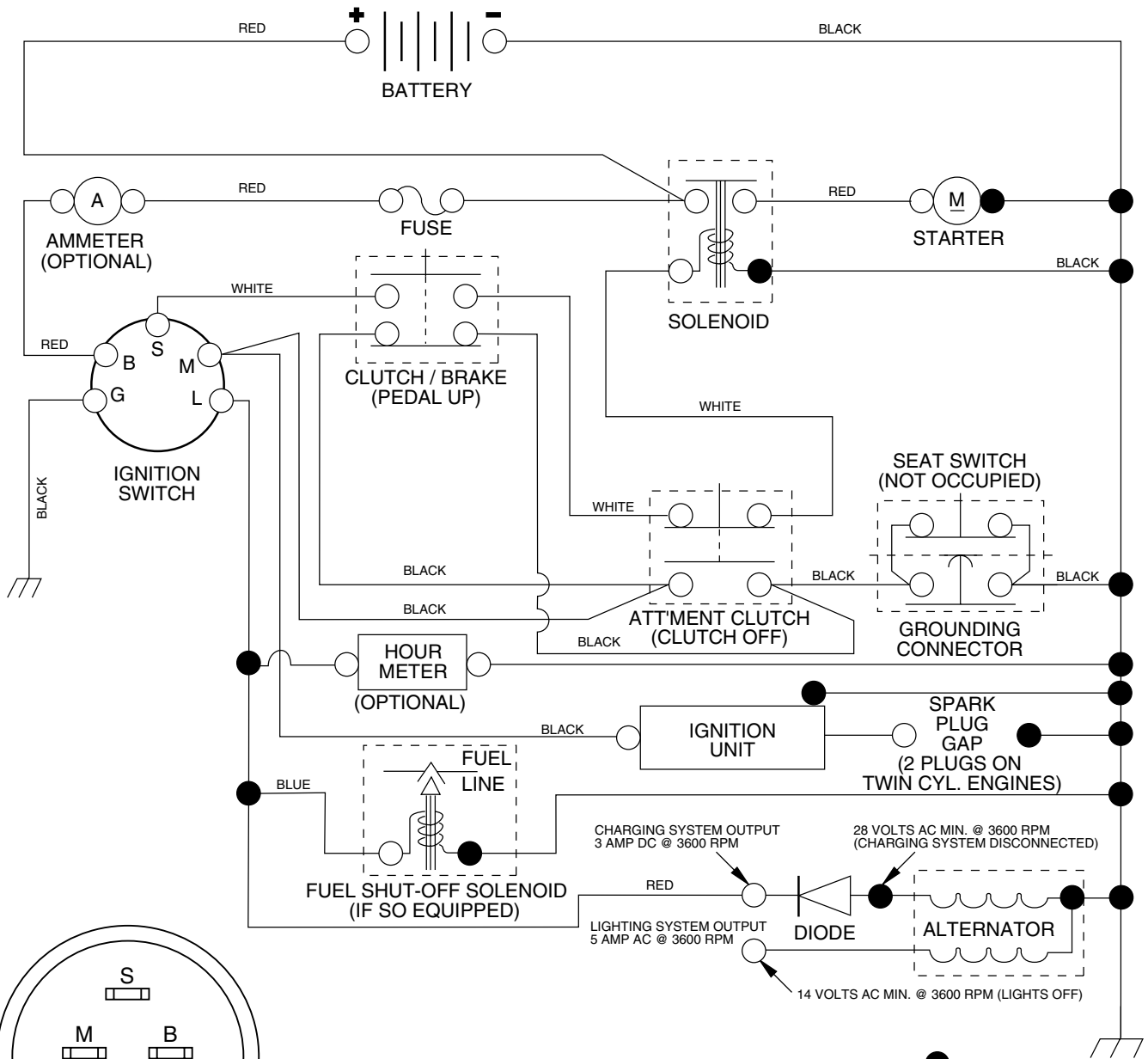
When ordering parts, always give the following information:

- Product - "Lawn Tractor"
- Model Number - REN1192 (REN11T92A)
- Part Number
- Part Description

TABLE OF CONTENTS

| | |
|------------------------------------|--------------|
| SCHEMATIC | 3 |
| ELECTRICAL..... | 4-5 |
| CHASSIS AND ENCLOSURES..... | 6-7 |
| DRIVE..... | 8-9 |
| STEERING WHEEL | 10-11 |
| SEAT | 12 |
| DECALS..... | 13 |
| ENGINE..... | 14-15 |
| MOWER LIFT | 16-17 |
| MOWER DECK | 18-19 |

TRACTOR - - MODEL NUMBER REN1192 (REN11T92A), PRODUCT NO. 964 77 30-02 SCHEMATIC



IGNITION SWITCH

| POSITION | CIRCUIT |
|----------|-----------|
| OFF | M + G |
| ON | B + L |
| START | B + S + L |

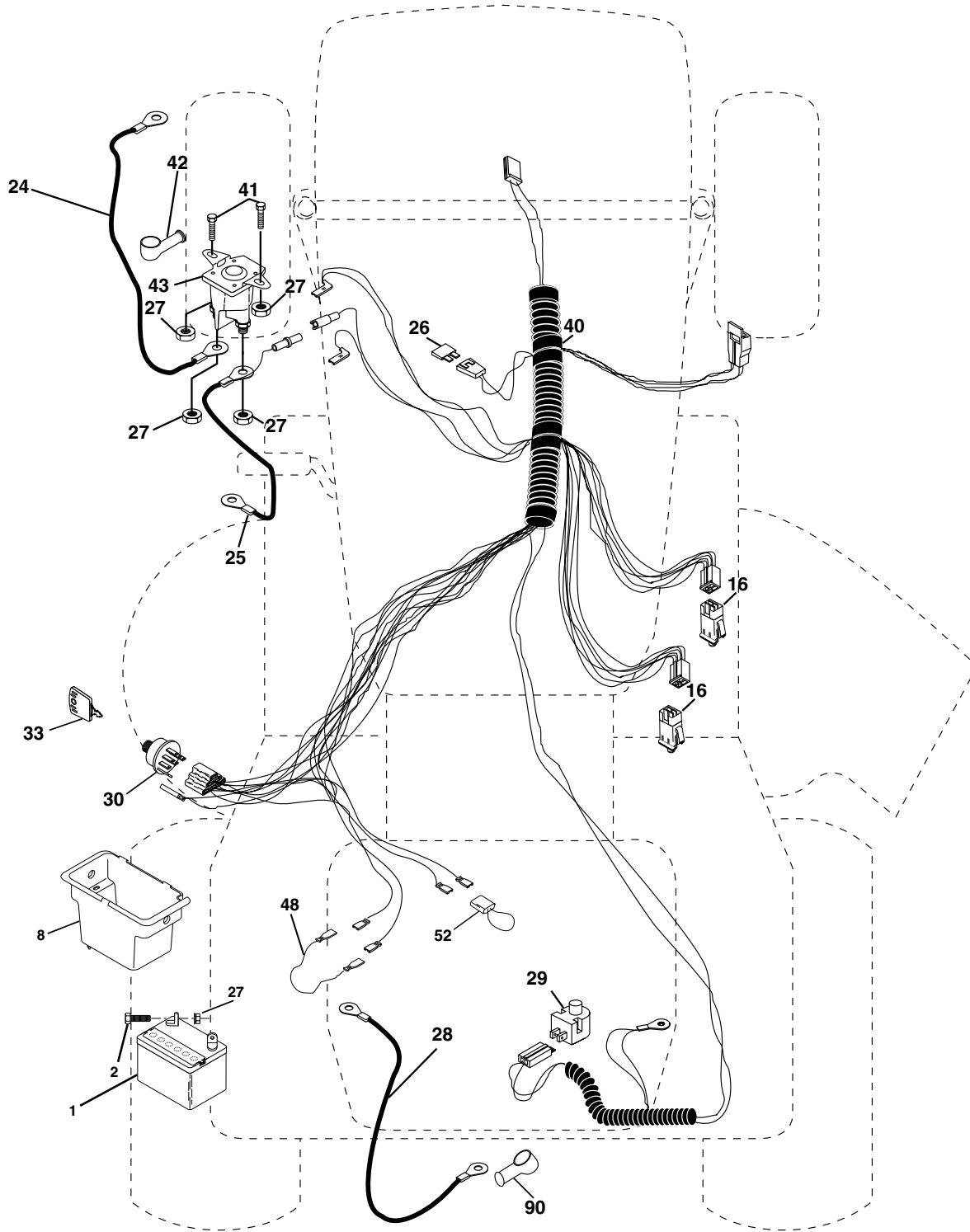
WIRING INSULATED CLIPS
NOTE: IF WIRING INSULATED CLIPS WERE REMOVED FOR SERVICING OF UNIT, THEY SHOULD BE REPLACED TO PROPERLY SECURE YOUR WIRING.

● —
NON-REMOVABLE CONNECTIONS

○ —
REMOVABLE CONNECTIONS

REPAIR PARTS

TRACTOR - - MODEL NUMBER REN1192 (REN11T92A), PRODUCT NO. 964 77 30-02
ELECTRICAL



REPAIR PARTS

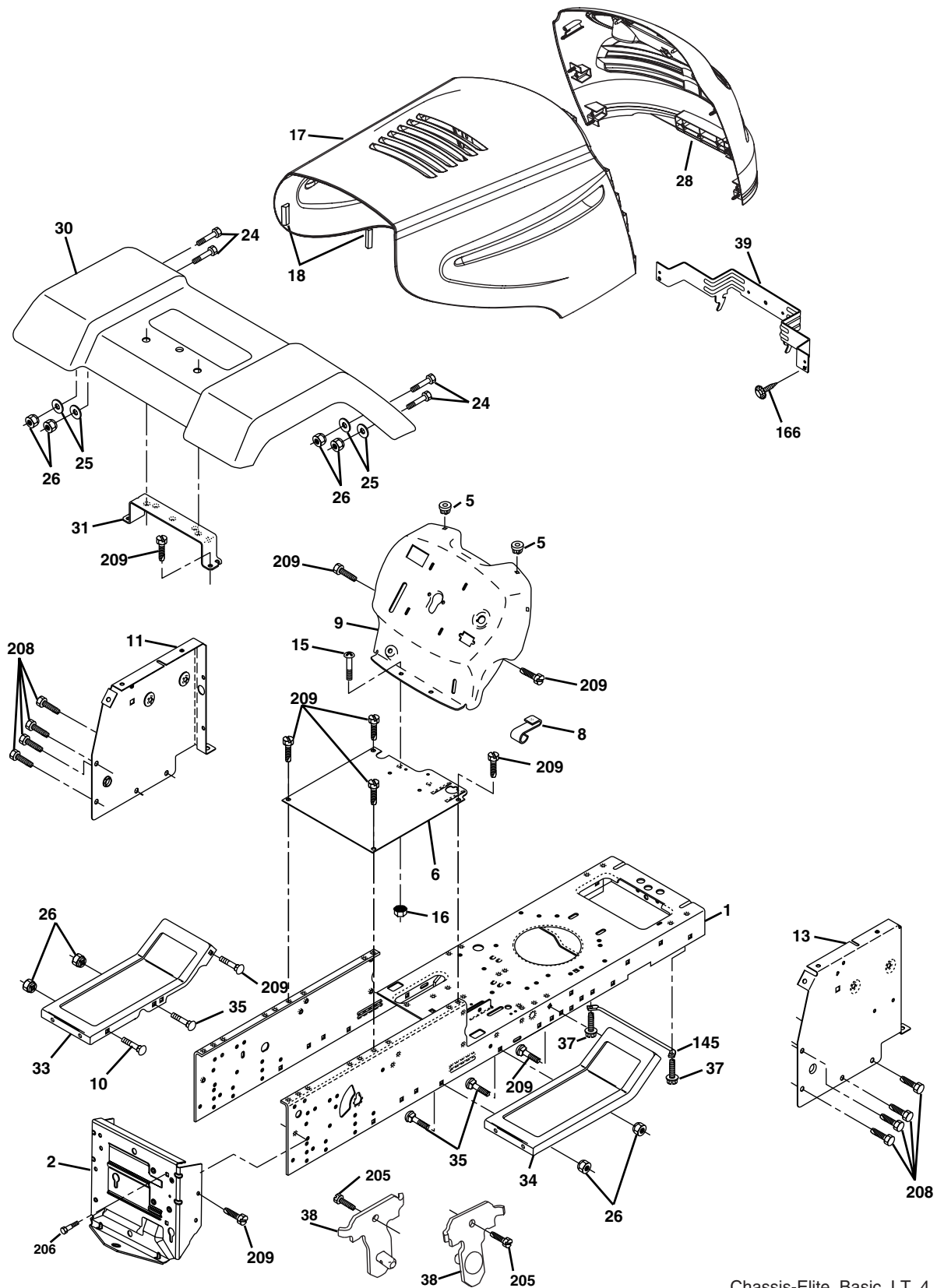
TRACTOR - - MODEL NUMBER REN1192 (REN11T92A), PRODUCT NO. 964 77 30-02
ELECTRICAL

| KEY NO. | PART NO. | DESCRIPTION |
|------------|--------------|---------------------------------------|
| 1 | 532 16 34-65 | Battery |
| 2 | 874 76 04-12 | Bolt Hex Hd 1/4-20 unc x 3/4 |
| 8 | 532 17 66-89 | Box Battery Fender |
| 16 | 532 17 61-38 | Switch Interlock |
| 24 | 532 12 47-80 | Cable Battery 6 Ga. 11" Red |
| 25 | 532 14 61-47 | Cable Battery 6 Ga. Red w/16 wire 44" |
| 26 | 532 17 51-58 | Fuse |
| 27 | 873 51 04-00 | Nut Keps Hex 1/4-20 unc |
| 28 | 532 12 47-73 | Cable Ground 6 Ga. 12" black |
| 29 | 532 12 13-05 | Switch Plunger Nc Gray |
| 30 | 532 17 55-67 | Switch Ign |
| 33 | 532 14 04-01 | Key |
| 40 | 532 17 97-30 | Harness Ing |
| 41 | 871 11 04-08 | Bolt Blk Fin Hex 1/4 - 20 x 1/2 |
| 42 | 532 13 15-63 | Cover Terminal Red |
| 43 | 532 17 88-61 | Solenoid |
| 48 | 532 14 08-44 | Adapter Ammeter Rectangular |
| 52 | 532 14 19-40 | Protection Wire Loop |
| 90 | 532 18 04-49 | Cover Terminal Battery |

NOTE: All component dimensions given in U.S. inches.
1 inch = 25.4 mm.

REPAIR PARTS

TRACTOR - - MODEL NUMBER REN1192 (REN11T92A), PRODUCT NO. 964 77 30-02
CHASSIS



Chassis-Elite_Basic_LT_4

REPAIR PARTS

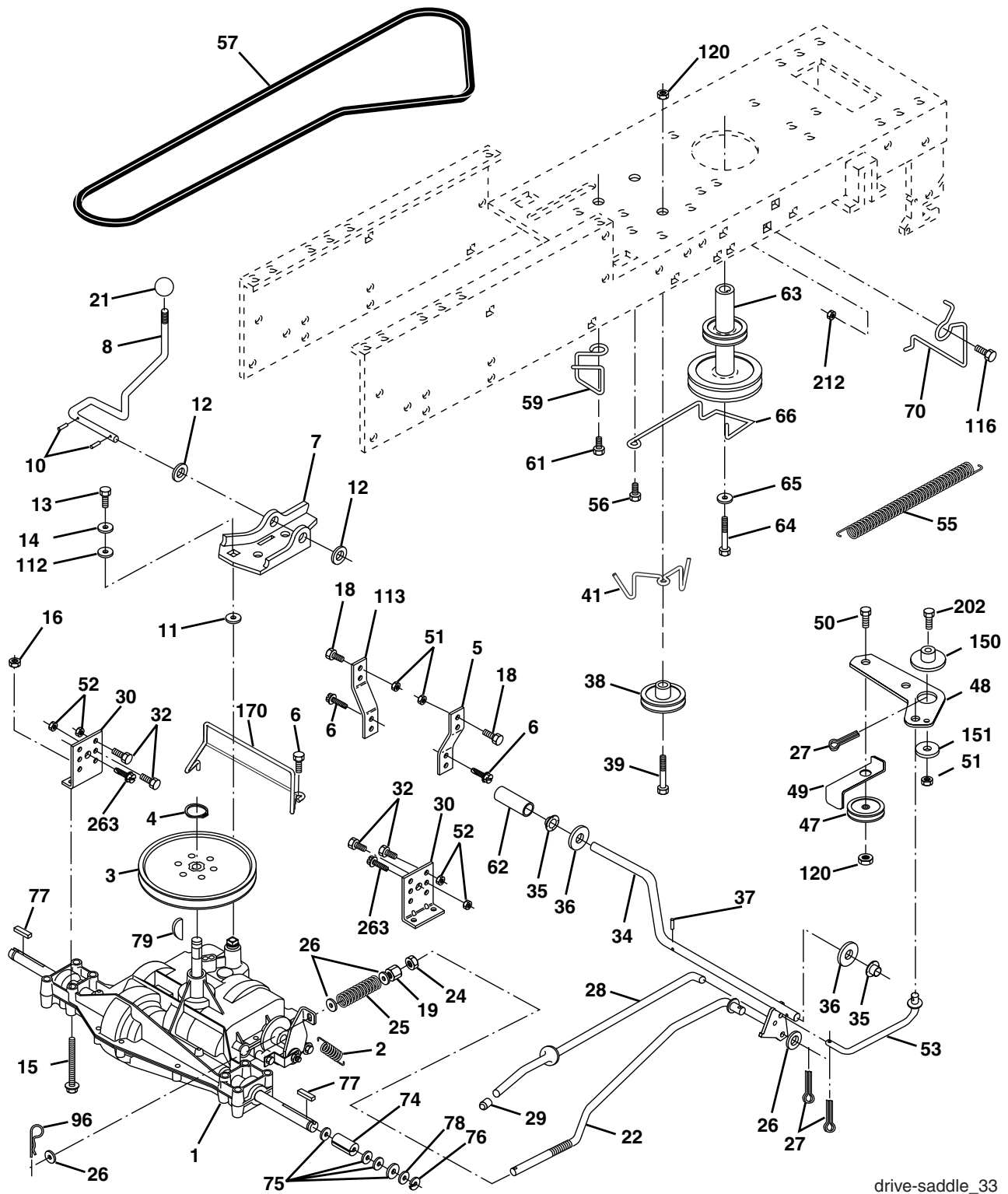
TRACTOR - - MODEL NUMBER REN1192 (REN11T92A), PRODUCT NO. 964 77 30-02
CHASSIS

| KEY NO. | PART NO. | DESCRIPTION |
|---------|--------------|---------------------------------------|
| 1 | 532 17 46-20 | Chassis |
| 2 | 532 17 65-54 | Drawbar |
| 5 | 532 15 52-72 | BumperHood/Dash |
| 6 | 532 18 12-71 | Saddle |
| 8 | 532 15 51-38 | Clip, Retainer Slide-On |
| 9 | 532 18 54-80 | Dash |
| 10 | 872 14 06-08 | Bolt, Carriage 3/8-16 x 1 |
| 11 | 532 17 49-96 | Dashboard, Panel LH |
| 13 | 532 18 69-52 | Dashboard, Panel RH |
| 15 | 874 18 05-12 | Machine screw 5/16-18 unc x 3/4 |
| 16 | 873 51 05-00 | Nut, Keps 5/16-18 unc |
| 17 | 532 18 67-07 | Hood Pnt |
| 18 | 532 12 69-38 | BumperHood |
| 24 | 874 78 06-16 | Bolt, Hex Head, Fin. 3/8-16 x 1 Gr. 5 |
| 25 | 819 13 13-12 | Washer 13/32 x 13/16 x 12 Ga. |
| 26 | 873 80 06-00 | Nut Lock Hex w/Ins. 3/8-16 unc |
| 28 | 532 18 67-18 | Grille |
| 30 | 532 18 25-35 | Fender |
| 31 | 532 13 66-19 | Fender Bracket |
| 33 | 532 18 11-93 | Footrest, LH |
| 34 | 532 18 11-94 | Footrest, RH |
| 35 | 872 11 06-06 | Bolt 3/8-16 x 3/4 |
| 37 | 817 49 05-08 | Screw Thdrol 5/16-18 x 1/2 |
| 38 | 532 17 57-10 | Bracket Asm. Pivot Mower Rear |
| 39 | 532 17 47-14 | Bracket Pivot |
| 145 | 532 15 65-24 | Rod Pivot Chassis/Hood |
| 166 | 532 17 18-75 | Screw Hi-Lo #13-16 x 3/4 |
| 205 | 817 49 06-08 | Screw Thdrol 3/8-16 x 1/2 |
| 206 | 532 17 01-65 | Bolt Shoulder 5/16-18 TT |
| 208 | 817 67 06-08 | Screw Thdrol 3/8-16 x 1/2 |
| 209 | 817 00 06-12 | Screw Hexwsh Thdr 3/8-16 x 3/4 |
| - - | 532 00 54-79 | Button Plug |

NOTE: All component dimensions given in U.S. inches.
1 inch = 25.4 mm.

REPAIR PARTS

TRACTOR - - MODEL NUMBER REN1192 (REN11T92A), PRODUCT NO. 964 77 30-02
DRIVE



drive-saddle_33

REPAIR PARTS

TRACTOR - - MODEL NUMBER REN1192 (REN11T92A), PRODUCT NO. 964 77 30-02
DRIVE

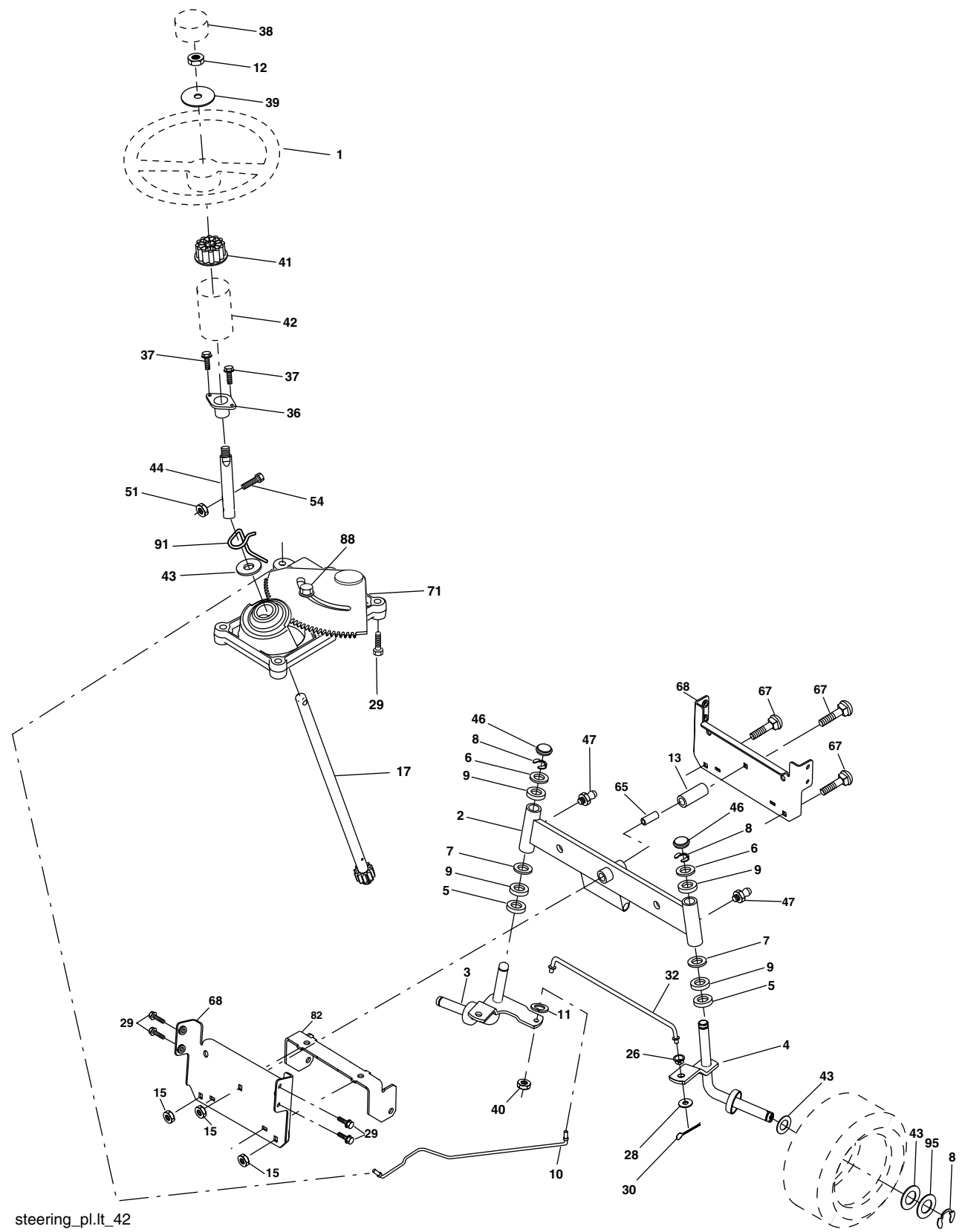
| KEY NO. | PART NO. | DESCRIPTION |
|---------|--------------|---|
| 1 | ----- | Transaxle, Peerless, Model 204-506B (Order parts from transaxle manufacturer) |
| 2 | 532 14 66-82 | Spring, Brake Return |
| 3 | 532 12 36-66 | Pulley, Transaxle |
| 4 | 812 00 00-28 | Ring, Retainer |
| 5 | 532 12 15-20 | Strap, Torque |
| 6 | 817 00 05-12 | Screw, 5/16-18 x 3/4 SMGML |
| 7 | 532 16 22-40 | Bracket, T/A, Saddle Shift |
| 8 | 532 13 16-79 | Rod, Shifter |
| 10 | 876 02 04-16 | Pin, Cotter 1/8 x 1 |
| 11 | 532 10 57-01 | Washer, Shift Plate |
| 12 | 819 15 12-16 | Washer 15/32 x 3/4 x 16 |
| 13 | 874 55 04-12 | Bolt 1/4-28 unf Gr. 8 w/Patch |
| 14 | 810 04 04-00 | Washer Lock |
| 15 | 874 49 05-44 | Bolt, Hex Flghd 5/16-18 Gr. 5 |
| 16 | 873 80 05-00 | Nut lock 5/16-18 |
| 18 | 874 78 06-16 | Bolt, Fin Hex 3/8-16 unc x 1 Gr. 5 |
| 19 | 873 80 06-00 | Locknut 3/8-16 |
| 21 | 532 10 69-33 | Knob |
| 22 | 532 13 08-04 | Rod, Brake |
| 24 | 873 35 06-00 | Nut, Hex Jam 3/8-16 |
| 25 | 532 10 68-88 | Spring, Rod, Brake |
| 26 | 819 13 13-16 | Washer 13/32 x 13/16 x 16 Gauge |
| 27 | 876 02 04-12 | Pin, Cotter 1/8 x 3/4 |
| 28 | 532 17 57-65 | Rod, Brake, Park |
| 29 | 532 07 16-73 | Cap, Plunger |
| 30 | 532 17 49-73 | Bracket, Transaxle, L.H. |
| 32 | 874 76 05-12 | Bolt Hex Hd 5/16-18 Unc x 3/4 |
| 34 | 532 17 55-78 | Shaft, Foot Pedal |
| 35 | 532 12 01-83 | Bearing Nylon |
| 36 | 819 21 16-16 | Washer 21/32 x 1 x 16 Gauge |
| 37 | 532 12 49-63 | Pin, Roll 3/16 x 1 |
| 38 | 532 17 91-14 | Pulley Idler |
| 39 | 872 11 06-22 | Bolt RDHD 3/8-16 unc x 2-3/4 Gr. 5 |
| 41 | 532 17 55-56 | Keeper, Belt |
| 47 | 532 12 77-83 | Pulley, Idler |

| KEY NO. | PART NO. | DESCRIPTION |
|---------|--------------|-----------------------------------|
| 48 | 532 15 44-07 | Bellcrank Asm Clutch |
| 49 | 532 12 32-05 | Retainer, Belt |
| 50 | 872 11 06-12 | Bolt, 3/8-16 x 1-1/2 Gr. 5 |
| 51 | 873 68 06-00 | Nut, Crownlock 3/8-16 |
| 52 | 873 68 05-00 | Nut, Crownlock 5/16-18 |
| 53 | 532 10 57-10 | Link, Clutch |
| 55 | 532 10 57-09 | Spring, Return, Clutch |
| 56 | 817 06 06-20 | Screw 3/8-16 x 1-1/4 |
| 57 | 532 13 08-01 | V-Belt, Drive |
| 59 | 532 16 96-91 | Keeper Belt Center Span |
| 61 | 817 12 06-14 | Screw 3/8-16 x .875 |
| 62 | 532 12 48-72 | Cover, Foot Pedal |
| 63 | 532 18 02-19 | Pulley, Engine |
| 64 | 532 17 39-37 | Bolt, Hex 7/16-20 x 4 Gr. 5 |
| 65 | 810 04 07-00 | Washer, Lock Hvy Hlcl Spr 7/16 |
| 66 | 532 15 47-78 | Keeper, Belt Engine F-Proof |
| 70 | 532 18 02-18 | Guide Belt Mower Drive RH |
| 74 | 532 13 70-57 | Spacer, Split |
| 75 | 532 12 17-49 | Washer 25/32 x 1-1/4 x 16 Ga. |
| 76 | 812 00 00-01 | E-Ring |
| 77 | 532 12 35-83 | Key Square |
| 78 | 532 12 17-48 | Washer 25/32 x 1-5/8 x 16 Ga. |
| 79 | 532 12 50-96 | Key Woodruff #9 3/16 x 3/4 |
| 96 | 532 12 47-80 | Retainer Spring 1" Ziinc/Cad |
| 112 | 819 09 12-10 | Washer 9/32 x 3/4 x 10 Ga. |
| 113 | 532 12 72-85 | Strap Torque L.H. Lt |
| 116 | 872 14 06-08 | Bolt RDHD SQNK 3/8-16 Unc x 1 |
| 120 | 873 90 06-00 | Nut Lock Flg. 3/8-16 Unc |
| 150 | 532 17 54-56 | SpacerRetainer |
| 151 | 819 13 32-10 | Washer 13/32 x 2 x 10 Ga. |
| 170 | 532 18 74-14 | Keeper, Belt, Transaxle |
| 202 | 872 11 06-14 | Bolt Carr Sh 3/8-16 x 1-3/4 Gr. 5 |
| 212 | 532 14 52-12 | Nut Hex Flange Lock |
| 263 | 817 00 06-12 | Screw 3/8-16 x 3/4 |

NOTE: All component dimensions given in U.S. inches
1 inch = 25.4 mm

REPAIR PARTS

TRACTOR - - MODEL NUMBER REN1192 (REN11T92A), PRODUCT NO. 964 77 30-02
STEERING ASSEMBLY



steering_pl.lt_42

REPAIR PARTS

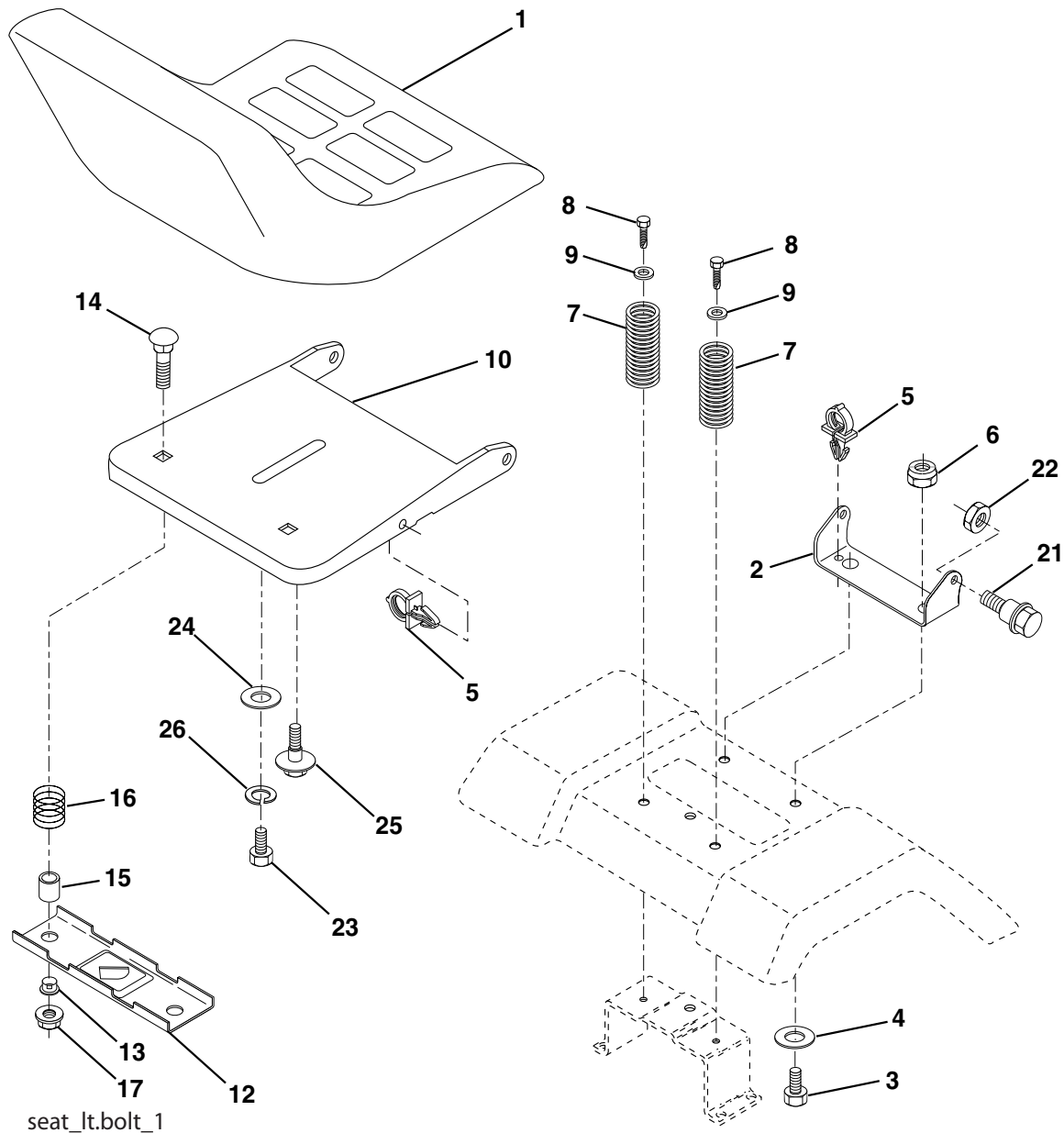
TRACTOR - - MODEL NUMBER REN1192 (REN11T92A), PRODUCT NO. 964 77 30-02
STEERING ASSEMBLY

| KEY NO. | PART NO. | DESCRIPTION |
|---------|--------------|-----------------------------------|
| 1 | 532 13 97-68 | Wheel Steering Opp. Sears Blk |
| 2 | 532 17 51-31 | Axle Asm |
| 3 | 532 16 98-40 | Spindle Asm LH |
| 4 | 532 16 98-39 | Spindle Asm RH |
| 5 | 532 12 49-31 | Bearing Race Thrust Harden |
| 6 | 532 12 17-48 | Washer 25/32 x 1-5/8 x 16 Ga |
| 7 | 819 27 20-16 | Washer 27/32 x 1-1/4 x 16 Ga |
| 8 | 812 00 00-29 | Ring Klip #t5304-75 |
| 9 | 532 12 49-37 | Bearing Col Strg Blk |
| 10 | 532 17 51-21 | Link Drag |
| 11 | 810 04 06-00 | Washer Lock Hvy Hlcl Spr 3/8 |
| 12 | 873 94 08-00 | Nut Hex Jam Toplock 1/2-20 Unf |
| 13 | 532 13 65-18 | Spacer Brace Axle |
| 15 | 532 14 52-12 | Nut Hexflange Lock |
| 17 | 532 18 06-41 | Shaft Asm Strg |
| 26 | 532 12 68-47 | Bushing Link Drag Blk LR |
| 28 | 819 13 14-16 | Washer 13/32 x 7/8 x 16 Ga |
| 29 | 817 00 06-12 | Screw 3/8-16 x .75 |
| 30 | 876 02 04-12 | Pin Cotter 1/8 x 3/4 Cad |
| 32 | 532 13 04-65 | Rod Tie Wire Form 19 75 Mech |
| 36 | 532 15 50-99 | Bushing Strg Nat .623/.618ld |
| 37 | 532 15 29-27 | Screw TT #10-32 x 5 x 3/8 Flange |
| 38 | 532 14 01-75 | Cap Wheel Steer P/L |
| 39 | 819 18 38-12 | Washer 9/16 ID x 2-3/8 OD 12 Gr. |
| 40 | 873 54 06-00 | Nut crownlock 3/8-24 |
| 41 | 532 18 67-37 | Adaptor Wheel Strg |
| 42 | 532 16 96-33 | Boot Shaft Steering |
| 43 | 532 12 17-49 | Washer 25/32 x 1 1/4 x 16 Ga |
| 44 | 532 18 06-40 | Extension Steering |
| 46 | 532 12 12-32 | Cap Spindle Fr Top Blk |
| 47 | 532 18 32-26 | Fitting Grease |
| 51 | 873 54 04-00 | Nut Crownlock 1/4-28 |
| 54 | 871 13 04-20 | Bolt Hex 1/4-28 Unf x 1-1/4 Gr. 8 |
| 65 | 532 16 03-67 | Spacer Brace Axle |
| 67 | 872 11 06-18 | Bolt RDHD SQ 3/8-16 Unc x 2-1/4 |
| 68 | 532 16 98-27 | Brace Axle |
| 71 | 532 17 51-46 | Steering Asm |
| 82 | 532 16 98-35 | Bracket Susp. Chassis Front |
| 88 | 532 17 51-18 | Bolt Shoulder 7/16-20 |
| 91 | 532 17 55-53 | Cup Steering |
| 95 | 532 18 89-67 | Washer Hardened |

NOTE: All component dimensions given in U.S. inches.
1 inch = 25.4 mm.

REPAIR PARTS

TRACTOR - - MODEL NUMBER REN1192 (REN11T92A), PRODUCT NO. 964 77 30-02
SEAT ASSEMBLY



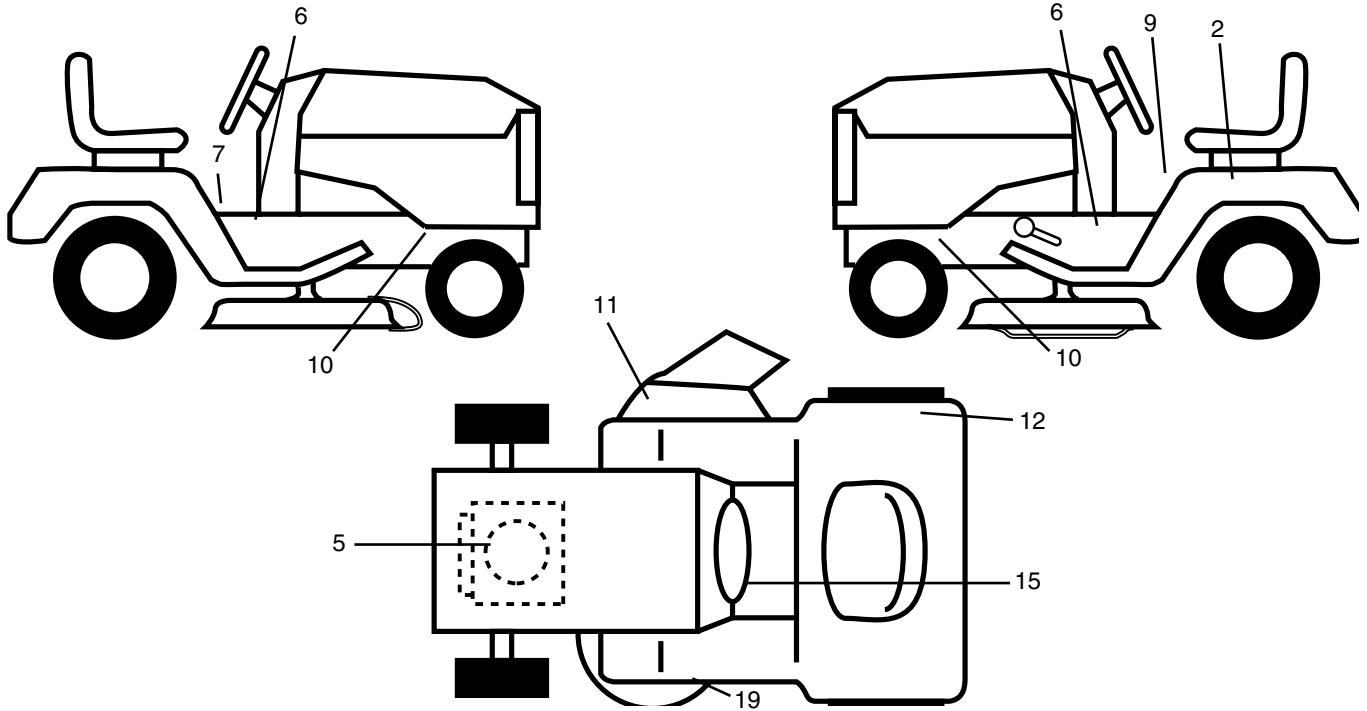
| KEY NO. | PART NO. | DESCRIPTION |
|---------|--------------|--------------------------------|
| 1 | 532 17 53-89 | Seat |
| 2 | 532 14 05-51 | Bracket Pivot Seat 8 720 |
| 3 | 871 11 06-16 | Bolt Fin Hex 3/8-16 Unc x 1 |
| 4 | 819 13 16-10 | Washer 13/32 x 1 x 10 Ga |
| 5 | 532 14 50-06 | Clip Push-In |
| 6 | 873 80 06-00 | Nut Lock Hex w/Wsh 3/8-16 Unc |
| 7 | 532 12 41-81 | Spring Seat Cprsn 2 250 Blk Zi |
| 8 | 817 00 06-16 | Screw 3/8-16 x 1.5 |
| 9 | 819 13 16-14 | Washer 13/32 x 1 x 14 Ga. |
| 10 | 532 18 24-93 | Pan Seat |
| 12 | 532 12 12-46 | Bracket Mounting Switch |
| 13 | 532 12 12-48 | Bushing Snap Blk Nyl 50 Id |

| KEY NO. | PART NO. | DESCRIPTION |
|---------|--------------|-----------------------------------|
| 14 | 872 05 04-12 | Bolt Rdhd Sht Nk 1/4-20 x 1-1/2 |
| 15 | 532 13 43-00 | Spacer Split 28 x 96 Yel Zinc |
| 16 | 532 12 12-50 | Spring Cprsn 1 27 Blk Pnt |
| 17 | 532 12 39-76 | Nut Lock 1/4 Lge Flg Gr 5 Zinc |
| 21 | 532 17 18-52 | Bolt Shoulder 5/16-18 Unc -2A |
| 22 | 873 80 05-00 | Nut Lock Hex W/Insert 5/16-18 Unc |
| 23 | 871 11 08-14 | Bolt Hex |
| 24 | 819 17 19-12 | Washer 17/32 x 1-3/16 x 12 Ga. |
| 25 | 532 12 70-18 | Bolt Shoulder 5/16-18 x 62 |
| 26 | 810 04 08-00 | Washer Lock Hvy HLCLSPR 1/2 |

NOTE: All component dimensions given in U.S. inches.
1 inch = 25.4 mm

REPAIR PARTS

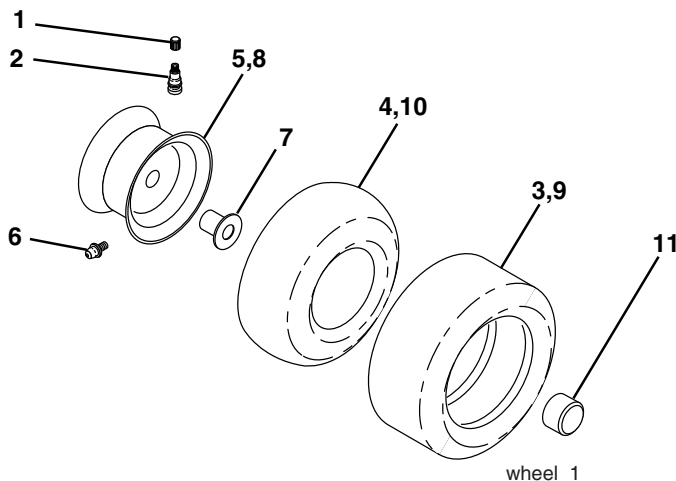
TRACTOR -- MODEL NUMBER REN1192 (REN11T92A), PRODUCT NO. 964 77 30-02
DECALS



| KEY NO. | PART NO. | DESCRIPTION |
|---------|--------------|-------------------------------|
| 2 | 532 14 50-05 | Decal Bat Dan/Poi P/L Symbols |
| 5 | 532 18 95-46 | Decal Engine |
| 6 | 532 18 96-95 | Decal Chas. |
| 7 | 532 14 08-37 | Decal Saddle Brake Parking |
| 9 | 532 14 54-98 | Decal Read Owners Manual Syms |
| 10 | 532 15 97-36 | Decal Chassis Hot Muffler |
| 11 | 532 18 21-66 | Decal Mower Cut finger Symbol |
| 12 | 532 18 04-32 | Decal 100 Db |
| 15 | 532 15 97-37 | Decal Brake/Clutch |

| KEY NO. | PART NO. | DESCRIPTION |
|---------|--------------|---------------------------------|
| 19 | 532 13 68-32 | Decal V-Belt Sch |
| -- | 532 16 25-98 | Decal Drawbar Load Limit |
| -- | 532 13 83-11 | Decal Lift Handle (Lift Handle) |
| -- | 532 18 69-06 | Decal Tec. 3 yr. warranty |
| -- | 532 18 51-49 | Manual Operator's Euro |
| -- | 532 18 52-38 | Manual Operator's Scan |
| -- | 532 19 00-16 | Manual Parts |

WHEELS & TIRES

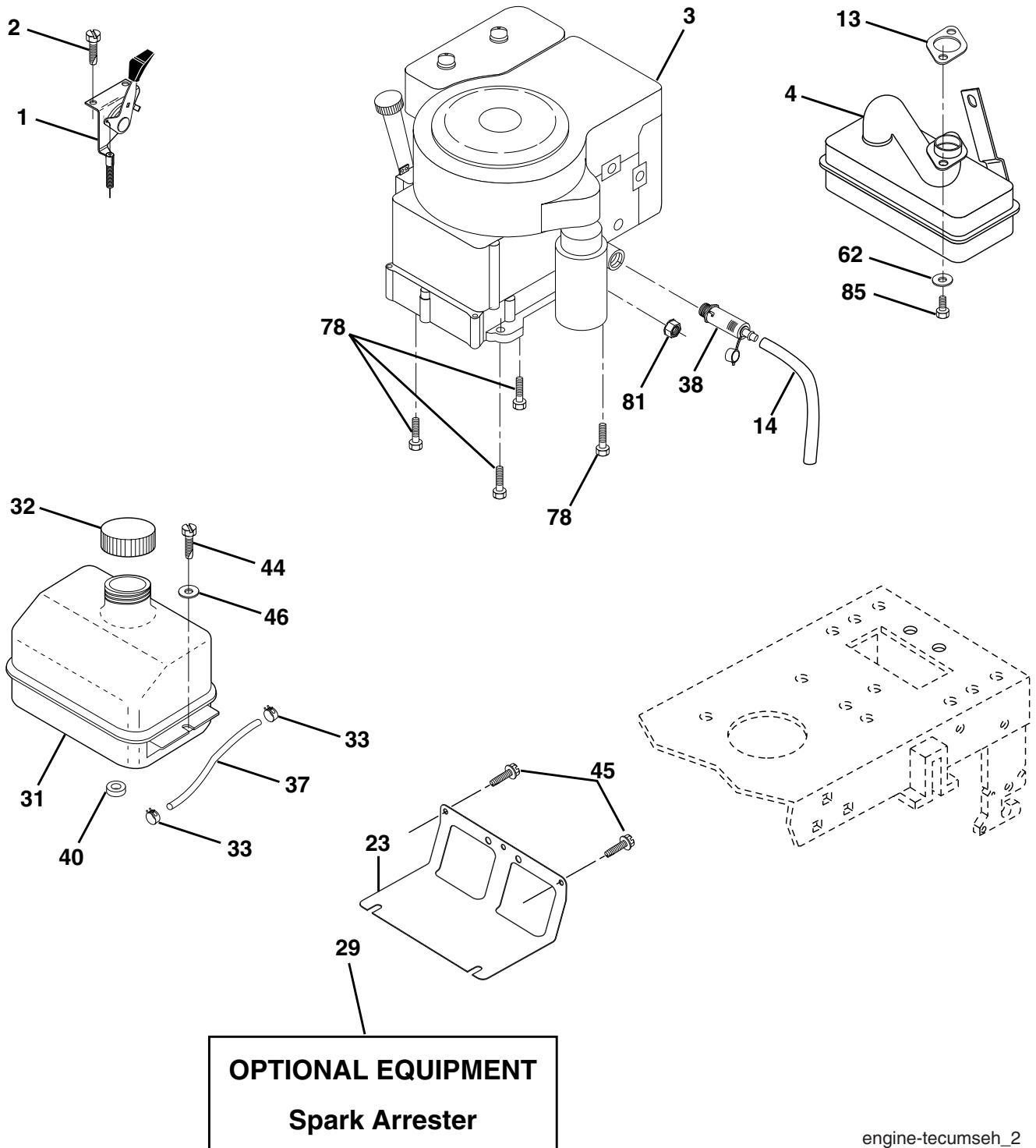


| KEY NO. | PART NO. | DESCRIPTION |
|---------|--------------|-----------------------------------|
| 1 | 532 05 91-92 | Cap Valve Tire |
| 2 | 532 06 51-39 | Stem Valve |
| 3 | 532 10 62-22 | Tire F Ts 15 x 6 - 6 Service |
| 4 | 532 05 99-04 | Tube Front (Service Item Only) |
| 5 | 532 18 33-37 | Rim Asm 6" front Service |
| 6 | 532 12 49-57 | Fitting Grease (Front Wheel Only) |
| 7 | 532 12 49-59 | Bearing Flange (Front Wheel Only) |
| 8 | 532 18 33-38 | Rim Asm 8" rear Service |
| 9 | 532 10 62-68 | Tire R Ts 18 x 9.5-8 C. Service |
| 10 | 532 12 49-26 | Tube Rear (Service Item Only) |
| 11 | 532 17 50-39 | Cap Axle Blk 1 50 x 1 00 |

NOTE: All component dimensions given in U.S. inches
1 inch = 25.4 mm

REPAIR PARTS

TRACTOR - - MODEL NUMBER REN1192 (REN11T92A), PRODUCT NO. 964 77 30-02
ENIGNE



engine-tecumseh_2

REPAIR PARTS

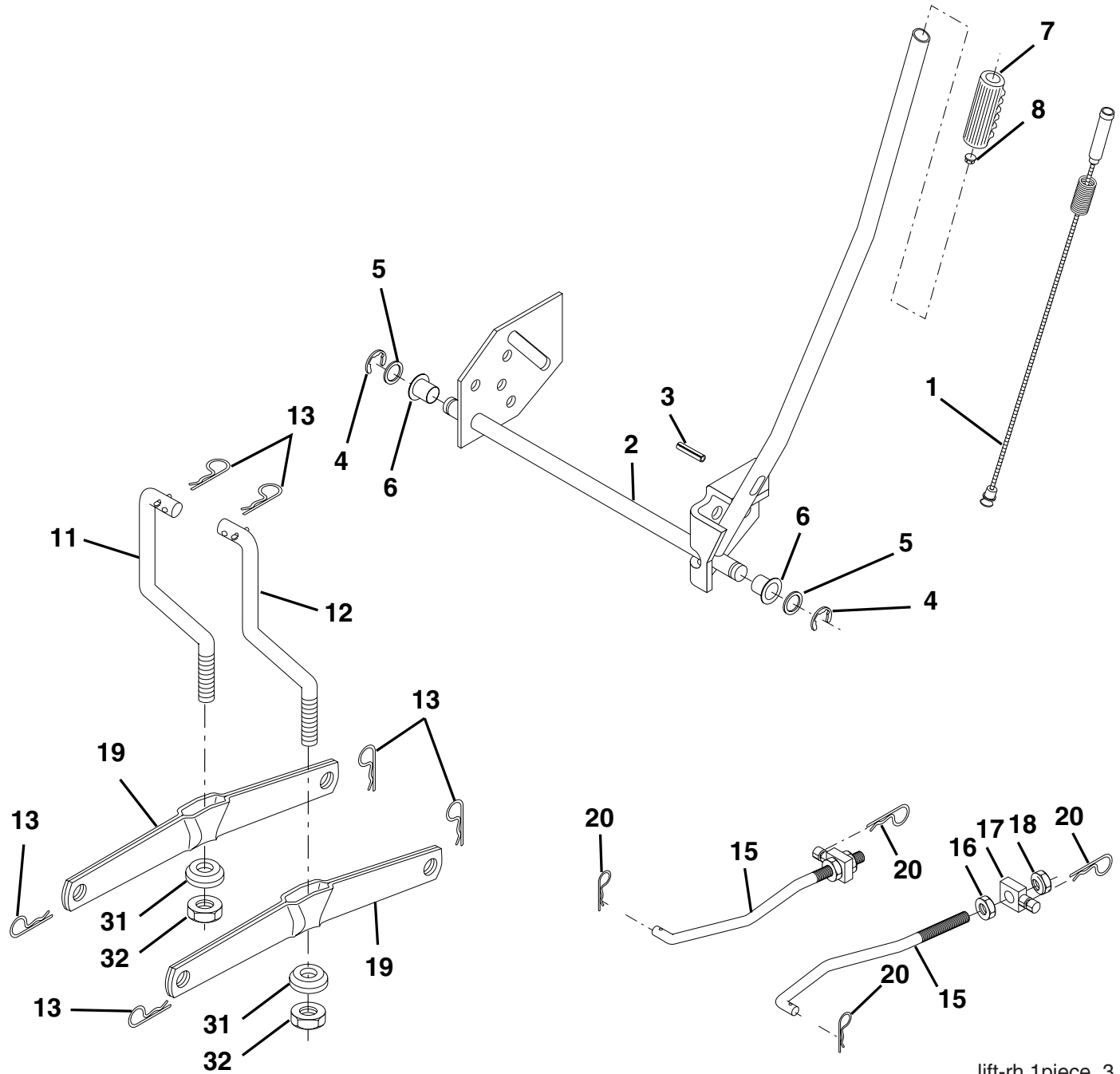
TRACTOR - - MODEL NUMBER REN1192 (REN11T92A), PRODUCT NO. 964 77 30-02
ENIGNE

| KEY NO. | PART NO. | DESCRIPTION |
|---------|--------------|--|
| 1 | 532 17 08-64 | Control Th/ch Flag |
| 2 | 817 72 04-08 | Screw Hex Thd Cut 1/4-20 x 1/2 |
| 3 | ----- | Engine Tec Model No. OV358EA (Order parts from engine manufacturer) |
| 4 | 532 15 67-00 | Muffler |
| 13 | 532 18 68-13 | Gasket Eng |
| 14 | 532 14 84-56 | Tube Drain Oil Easy |
| 23 | 532 16 98-37 | Shield Brn/Dbr Guard |
| 29 | 532 13 71-80 | Kit Spark Arrecter |
| 31 | 532 18 49-00 | Tank Fuel Front 1.25 |
| 32 | 532 14 05-27 | Cap Asm Fuel W/sym Vented |
| 33 | 532 12 34-87 | Clamp Hose Blk |
| 37 | 532 13 70-40 | Line Fuel 20" |
| 38 | 532 18 16-54 | Plug Oil Drain Easy |
| 40 | 532 12 40-28 | Bushing Snap Nyl Blk Fuel Line |
| 44 | 817 67 04-12 | Screw Hexwsh Thdrol 1/4-20 x 3/4 |
| 45 | 817 00 06-12 | Screw Hexwsh Thdrol 3/8-16 x 3/4 |
| 46 | 819 09 14-16 | Washer 9/32 x 7/8 x 16 Ga. |
| 62 | 810 04 05-00 | Washer Lock Hvy Hlcl. Spr. 5/16 |
| 78 | 817 06 06-20 | Screw 3/8-16 x 1-1/4 |
| 81 | 873 51 04-00 | Nut Keps Hex 1/4-20 unc |
| 85 | 532 12 35-28 | Bolt Hex Hd Phillips |

NOTE: All component dimensions given in U.S. inches
1 inch = 25.4 mm

REPAIR PARTS

TRACTOR - - MODEL NUMBER REN1192 (REN11T92A), PRODUCT NO. 964 77 30-02
MOWER LIFT



lift-rh.1piece_3

REPAIR PARTS

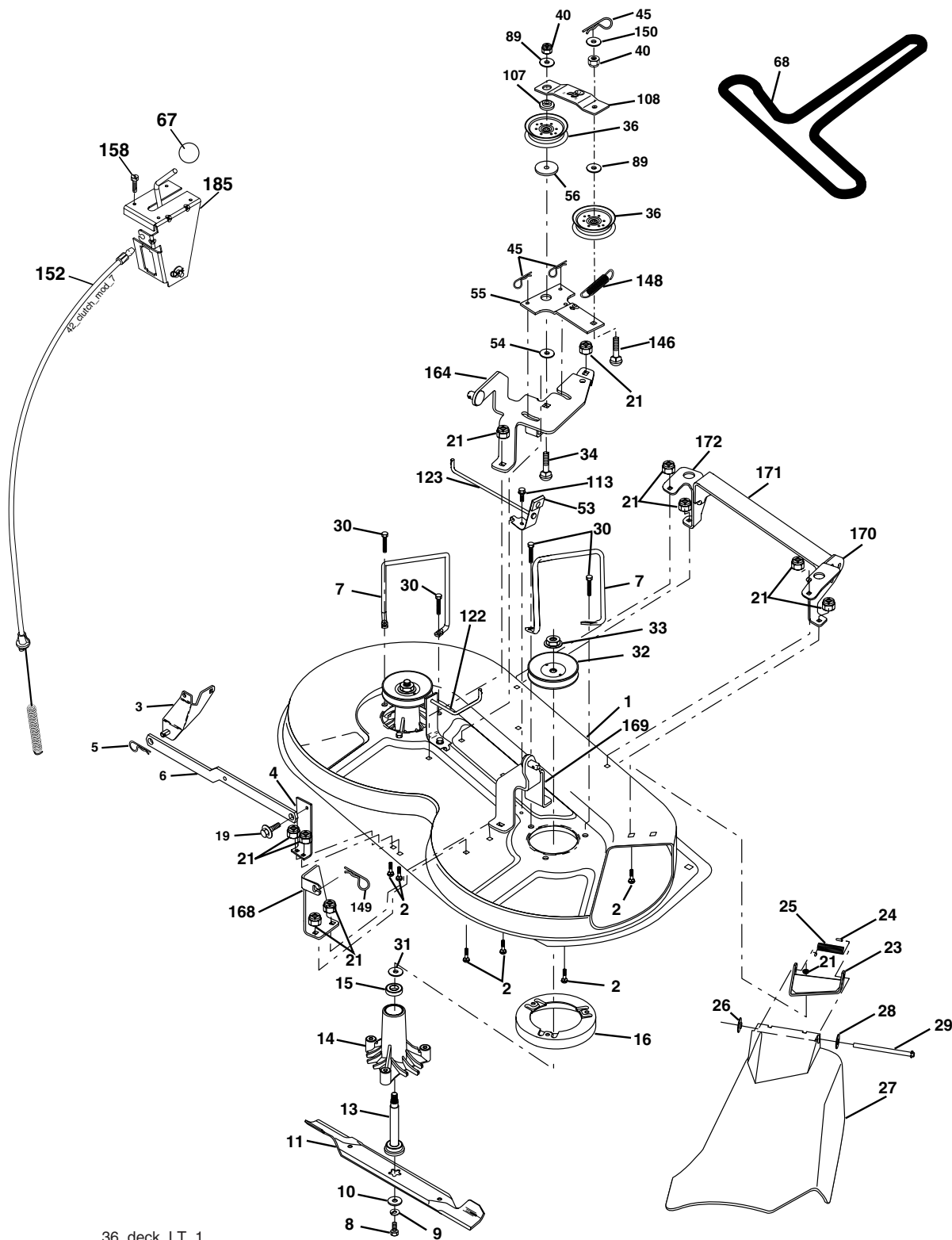
TRACTOR - - MODEL NUMBER REN1192 (REN11T92A), PRODUCT NO. 964 77 30-02
MOWER LIFT

| KEY NO. | PART NO. | DESCRIPTION |
|---------|--------------|-------------------------------|
| 1 | 532 15 94-61 | Wire Asm Inner W/Plunger |
| 2 | 532 15 94-76 | Shaft Asm Lift |
| 3 | 532 17 89-81 | Pin Groove |
| 4 | 812 00 00-02 | E Ring #5133-62 |
| 5 | 819 21 16-21 | Washer PLTD 21/32 x 1 x 21Ga. |
| 6 | 532 12 01-83 | Bearing Nylon Blk 629 Id |
| 7 | 532 10 94-13 | Grip Handle Bicycle Matte Blk |
| 8 | 532 12 45-26 | Button Plunger Black |
| 11 | 532 13 98-65 | Link Lift LH |
| 12 | 532 13 98-66 | Link Lift RH |
| 13 | 532 12 46-70 | Retainer Spring |
| 15 | 532 17 32-88 | Link Front |
| 16 | 873 35 08-00 | Nut Jam Hex 1/2-13 unc |
| 17 | 532 17 56-89 | Trunnion |
| 18 | 873 80 08-00 | Nut Lock W/Wsh 1/2-13 unc |
| 19 | 532 13 98-68 | Arm Suspension Rear |
| 20 | 532 16 35-52 | Retainer Spring |
| 31 | 532 16 98-65 | Bearing Pvt Lift |
| 32 | 873 54 06-00 | Nut Crownlock 3/8-24 |

NOTE: All component dimensions given in U.S. inches
1 inch = 25.4 mm

REPAIR PARTS

TRACTOR - - MODEL NUMBER REN1192 (REN11T92A), PRODUCT NO. 964 77 30-02
MOWER

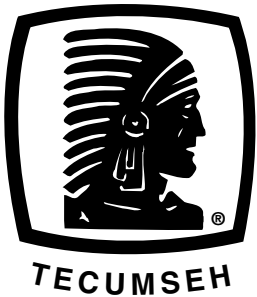


REPAIR PARTS

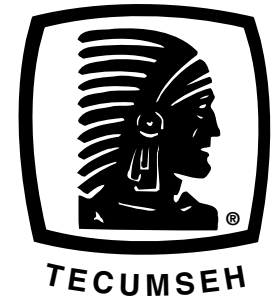
TRACTOR - - MODEL NUMBER REN1192 (REN11T92A), PRODUCT NO. 964 77 30-02
MOWER

| KEY NO. | PART NO. | DESCRIPTION | KEY NO. | PART NO. | DESCRIPTION |
|---------|--------------|---------------------------------|---------|--------------|--|
| 1 | 532 17 45-95 | Mower Deck Assembly | 53 | 532 13 08-40 | Brake Assembly |
| 2 | 872 14 05-06 | Bolt | 54 | 532 17 85-15 | Washer,Hardened |
| 3 | 532 13 80-17 | Bracket Assembly,Sway Bar | 55 | 532 13 38-40 | Idler Arm Assembly |
| 4 | 532 17 56-54 | Bracket Sway Bar | 56 | 532 16 57-23 | Spacer, Retainer |
| 5 | 532 12 46-70 | Retainer Spring | 67 | 532 10 69-32 | Knob RD 3/8-16 Plstc Thd |
| 6 | 532 17 80-24 | Bar Sway Deck | 68 | 532 18 02-13 | Belt |
| 7 | 532 14 06-08 | Keeper Belt | 89 | 819 13 13-11 | Washer 13/32 x 13/16 x 11 Ga. |
| 8 | 532 85 08-57 | Bolt, Hex 3/8-24 x 1.25 Gr. 8 | 107 | 532 13 35-02 | Spacer, Retainer |
| 9 | 810 03 06-00 | Washer, Lock Hvy Hlcl 3/8 | 108 | 532 13 35-03 | Stiffener, Idler Arm |
| 10 | 532 14 02-96 | Washer,Hardened | 113 | 817 49 05-08 | Screw Thdrol 5/16-18 x 1/2 |
| 11 | 532 13 84-96 | Blade, Mower | 122 | 532 17 45-05 | Rod, Brake, LH |
| 13 | 532 13 76-45 | Shaft Assembly, Mandrel, Vented | 123 | 532 17 45-04 | Rod, Brake, RH |
| 14 | 532 12 87-74 | Housing, Mandrel, Vented | 146 | 532 16 58-91 | Bolt Carriage Idler |
| 15 | 532 11 04-85 | Bearing, Ball, Mandrel | 148 | 532 16 90-22 | Spring Return Idler |
| 16 | 532 17 44-93 | Stripper, Mower Deck | 149 | 532 16 58-98 | Retainer Spring Yellow Zinc |
| 19 | 532 13 28-27 | Bolt, Shoulder | 150 | 819 09 12-10 | Washer 9/32 x 3/4 x 10 Ga. |
| 21 | 873 68 05-00 | Nut Crownlock 5/16-18 | 152 | 532 17 60-79 | Cable Clutch |
| 23 | 532 13 66-31 | Bracket, Mower Deflector | 158 | 817 72 04-08 | Screw Hex Thd Cut 1/4-20 x 1/2 |
| 24 | 532 10 53-04 | Cap, Sleeve | 164 | 532 17 49-76 | Bracket Asm Idler Support |
| 25 | 532 12 37-13 | Spring, Torsion, Deflector | 168 | 532 17 23-77 | Bracket Deck Cable |
| 26 | 532 11 04-52 | Nut, Push | 169 | 532 17 49-77 | Bracket Asm Suspension |
| 27 | 532 17 61-62 | Shield, Deflector | 170 | 532 17 23-59 | Bracket Suspension RF |
| 28 | 819 11 10-16 | Washer 11/32 x 5/8 x 16 Ga. | 171 | 532 16 52-37 | Brace Support Susp. Frt |
| 29 | 532 12 19-80 | Rod, Hinge | 172 | 532 17 23-55 | Bracket Suspension LF |
| 30 | 532 17 39-84 | Screw Thdrol | 185 | 532 18-82-34 | Head Asm Cable Clutch |
| 31 | 532 18 76-90 | Washer, Spacer | -- | 532 13 07-94 | Mandrel Assembly (Includes Housing, Shaft and Shaft Hardware Only - Pulley Not Included) |
| 32 | 532 15 35-31 | Pulley, Mandrel | -- | 532 18 13-76 | Replacement Mower,Complete |
| 33 | 532 17 83-42 | Nut, Toplock, Flanged | | | |
| 34 | 872 11 06-14 | Bolt Rdhd 3/8-16 x 1-3/4 | | | |
| 36 | 532 13 14-94 | Pulley, Idler, Flat | | | |
| 40 | 873 68 06-00 | Nut Crownlock 3/8-16 | | | |
| 45 | 532 12 47-88 | Retainer, Spring | | | |

NOTE: All component dimensions given in U.S. inches
1 inch = 25.4 mm



SERVICE POLICY WARRANTY



Issued January 1980
Revised January 1991

LIMITED WARRANTIES FOR NEW PEERLESS GEAR POWER TRAIN COMPONENTS

A. Products Warranted

Peerless Gear and Machine Division of Tecumseh Products Company ("Tecumseh"), subject to the limitations contained below, will, at its option, repair or replace, without charge for parts or labor only, any part of a new Power Train Component (which as used herein means and includes the transaxle, gear box, transmission, differential and right angle drives, and any part of the Power Train Component), EXCEPT any new Power Train Component incorporated in equipment used for commercial or rental purposes, which is found upon examination by any Tecumseh Authorized Service Outlet or by Tecumseh's factory in Grafton, Wisconsin, to be DEFECTIVE IN MATERIAL AND/OR WORKMANSHIP if received by Tecumseh or a Tecumseh Authorized Service Outlet for such examination within TWO YEARS from the date of sale to the original consumer purchaser of Peerless Series 820, 900, 910, 915, 920, 930 transaxles and Series 1100 angle drive and ONE YEAR for all other Peerless products. New Power Train Components incorporated in equipment used for commercial purposes are warranted in the same manner and to the same extent EXCEPT such Power Train Components are warranted for NINETY (90) DAYS ONLY, and must be received by Tecumseh or by a Tecumseh Authorized Service Outlet for such examination within 90 days from the date of sale to the original purchaser. New Power Train Components incorporated in equipment used for rental purposes are warranted in the same manner and to the same extent EXCEPT such Power Train Components are warranted for THIRTY (30) DAYS ONLY, and must be received by Tecumseh or a Tecumseh Authorized Service Outlet within 30 days from the date of sale to the original purchaser.

B. Products And Items Not Warranted

1. Alterations or Modifications of Power Train Components.
2. Accidents, Normal Maintenance, Failure to follow the Original Equipment Manufacturer's Manual.

This warranty covers only parts of new Power Train Components which are found upon examination to be defective in material or workmanship as delivered to the original purchaser. This warranty does not cover defects caused by depreciation or damage caused by normal wear, accidents, improper maintenance, improper use or abuse of the product, failure to follow the instructions contained in an Instruction Manual for the operation of the Power Train Component and parts. The cost of normal maintenance and replacement of service items which are not defective shall be paid for by the original purchaser.

C. Securing Warranty Service

Warranty service can be arranged for by contacting either a Tecumseh Authorized Service Outlet (any Tecumseh Registered Service Dealer, Tecumseh Authorized Service Distributor, or Tecumseh Central Warehouse Distributor) or by contacting Tecumseh, c/o Service Manager, Engine and Transmission Group Service Division, 900 North Street, Grafton, Wisconsin 53024. Warranty service can only be performed by a Tecumseh Authorized Service Outlet or by Tecumseh at its factory in Grafton, Wisconsin. At the time of requesting warranty service, evidence must be presented of the date of sale to the original purchaser. The purchaser shall pay any charges for making service calls and/or for transporting the product to and from the place where the inspection and/or warranty work is performed. The purchaser shall be responsible for any damage or loss incurred in connection with the transportation of Power Train Components and/or part(s) of the Power Train Components submitted for inspection and/or warranty work.

D. Limitation of Damages and Implied Warranties

The foregoing EXPRESSED WARRANTY IS IN LIEU OF ALL OTHER EXPRESS WARRANTIES. Neither Tecumseh nor any of its affiliates makes any warranties, representations or promises, written or oral, as to the quality of the Power Train Component or any of its parts, other than as set forth herein.

ANY IMPLIED WARRANTY OF MERCHANTABILITY OR FITNESS FOR A PARTICULAR PURPOSE, TO THE EXTENT THAT EITHER MAY APPLY TO ANY PART(S) OF POWER TRAIN COMPONENTS, SHALL BE LIMITED IN DURATION TO THE PERIODS OF THE EXPRESSED WARRANTIES DEFINED IN PARAGRAPH A HEREOF. IN NO EVENT WILL TECUMSEH BE LIABLE FOR ANY INCIDENTAL, CONSEQUENTIAL OR SPECIAL DAMAGES AND/OR EXPENSES. Some states do not allow limitations on how long an implied warranty lasts or the exclusion or limitation of incidental or consequential damages, so the above limitation(s) or exclusion(s) may not apply to you. This warranty gives you specific legal rights and you may also have other legal rights which vary from state to state.

E. No Dealer Warranty

Tecumseh neither assumes nor authorizes any other person, natural or corporate, to assume for Tecumseh any other obligations or liabilities in connection with or with respect to any part(s) of a Power Train Component. The seller or dealer of part(s) of a Power Train Component has no authority, whatsoever, to make any representations or promises on behalf of Tecumseh or to modify the terms or limitations of Tecumseh's warranty in any way.

Rally