

**REPAIR PARTS MANUAL**  
**MODEL NO. REN145THRB (REN145THRBA)**  
**Lawn Tractor**

---

**Rally**

# HOW TO USE THIS MANUAL

This manual is designed to provide the customer with a means to identify the parts on his/her tractor when ordering repair parts. The illustrations may or may not represent the actual assemblies; therefore, it is not recommended to use this manual as a guide to assemble or disassemble the tractor. Some hardware and parts are drawn larger in order to more readily identify them.

Each tractor has its own model number.

The model number for your tractor can be found on the fender under the seat.

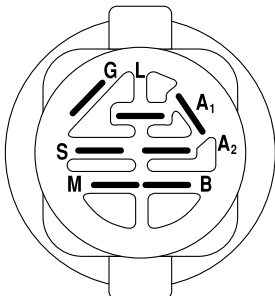
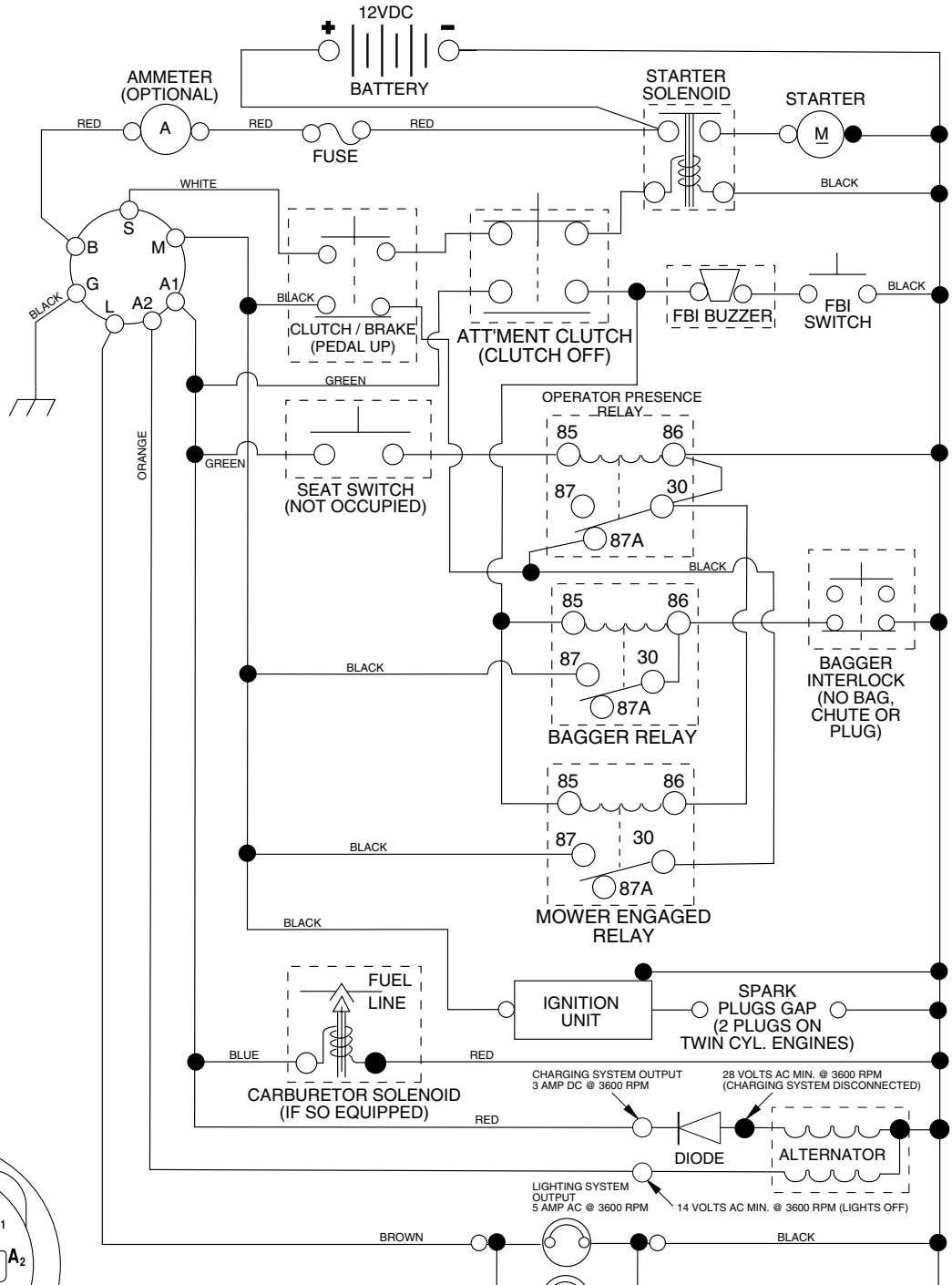
When ordering parts, always give the following information:

- Product - "Tractor"
- Model Number - "REN145THRB" (REN145THRBA)
- Part Number
- Part Description

## TABLE OF CONTENTS

SCHEMATIC .....	3
ELECTRICAL.....	4-5
CHASSIS.....	6-7
DRIVE.....	8-9
STEERING .....	10-11
SEAT .....	12
DECALS.....	13
ENGINE.....	14
MOWER LIFT .....	15
MOWER DECK .....	16-17
BAGGER .....	18-19

# TRACTOR- MODEL NO. REN145THRB (REN145THRBA), PRODUCT NO. 964 77 32-02 SCHEMATIC



**IGNITION SWITCH**

POSITION	CIRCUIT	"MAKE"
OFF	M+G+A1	NONE
RUN/LIGHT	B+A1	A2+L
RUN	B+A1	NONE
START	B + S + A1	NONE

**PTO SWITCH**

POSITION	CIRCUIT
OFF	C + G, B + H
ON	C + F, B + E, A + D

**WIRING INSULATED CLIPS**  
NOTE: IF WIRING INSULATED CLIPS WERE REMOVED FOR SERVICING OF UNIT, THEY SHOULD BE REPLACED TO PROPERLY SECURE YOUR WIRING.

02391

●  
NON-REMOVABLE CONNECTIONS

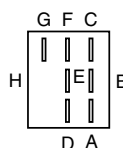
○  
REMOVABLE CONNECTIONS

**HEADLIGHTS**

**NOTE**  
YOUR TRACTOR IS EQUIPPED WITH A SPECIAL ALTERNATOR SYSTEM. THE LIGHTS ARE NOT CONNECTED TO THE BATTERY, BUT HAVE THEIR OWN ELECTRICAL SOURCE. BECAUSE OF THIS, THE BRIGHTNESS OF THE LIGHTS WILL CHANGE WITH ENGINE SPEED. AT IDLE THE LIGHTS WILL DIM. AS THE ENGINE IS SPEEDED UP, THE LIGHTS WILL BECOME THEIR BRIGHTEST.

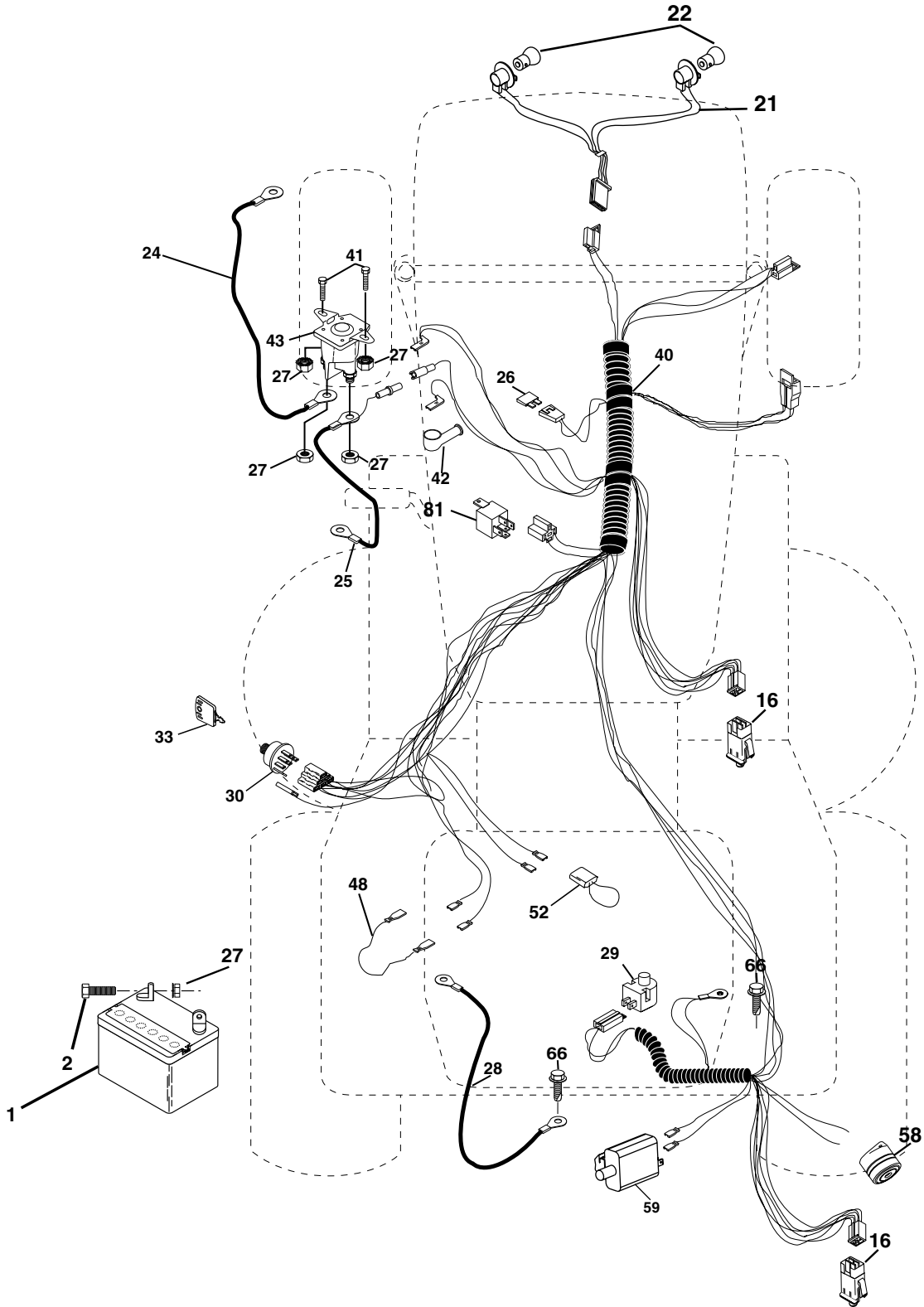


**RELAY**



# REPAIR PARTS

TRACTOR- MODEL NO. REN145THRB (REN145THRBA), PRODUCT NO. 964 77 32-02  
ELECTRICAL



# REPAIR PARTS

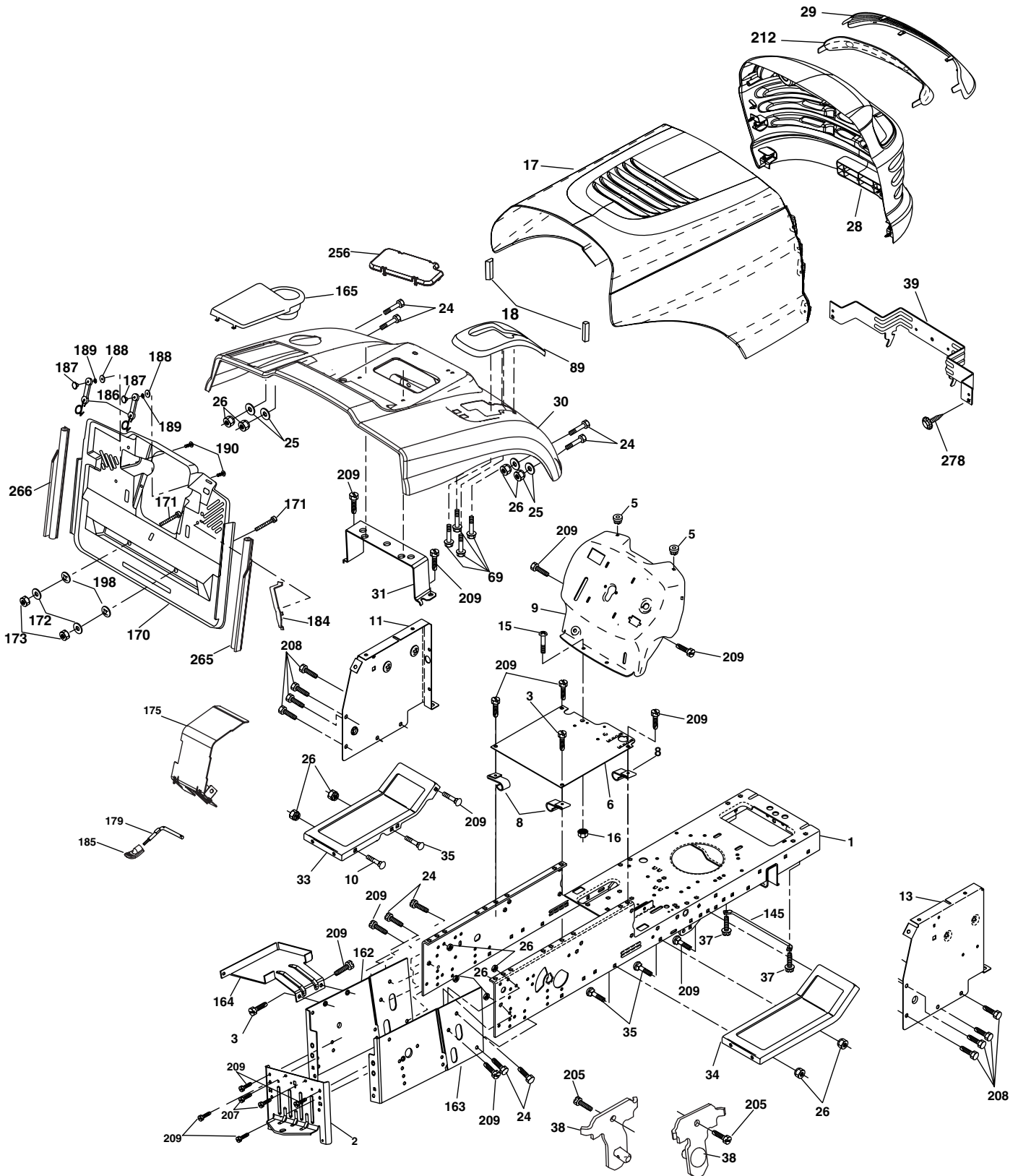
TRACTOR- MODEL NO. REN145THRB (REN145THRBA), PRODUCT NO. 964 77 32-02  
ELECTRICAL

KEY NO.	PART NO.	DESCRIPTION
1	532 16 34-65	Battery
2	874 76 04-12	Bolt Hex Hd 1/4-20 unc x 3/4
16	532 17 61-38	Switch Interlock
21	532 18 37-59	Harness Asm Light W/4152J
22	532 00 41-52	Bulb Light #1156
24	532 12 47-80	Cable Battery
25	532 16 59-87	Cable Battery Crd 56" Red
26	532 17 51-58	Fuse
27	873 51 04-00	Nut Keps Hex 1/4-20 unc
28	532 12 77-25	Cable Ground 6 Ga. 18" Black
29	532 12 13-05	Switch Plunger NC Gray
30	532 17 55-66	Switch Ignition
33	532 14 04-01	Key Ign Molded
40	532 18 80-36	Harness Ign Crd Noram
41	871 11 04-08	Bolt Flk Fin Hex 1/4-20 unc x 1/2
42	532 13 15-63	Cover Terminal Red
43	532 17 88-61	Solenoid
48	532 14 08-44	Adapter Ammeter Rectangular
52	532 14 19-40	Protection Wire Loop
58	532 16 94-19	Buzzer Crd
59	532 18 03-79	Switch FBI CRD
66	817 49 06-08	Screw Thdrol 3/8-16 x 1/2 Ty-Tt
81	532 10 97-48	Relay Asm

**NOTE:** All component dimensions given in U.S. inches.  
1 inch = 25.4 mm.

# REPAIR PARTS

TRACTOR- MODEL NO. REN145THRB (REN145THRBA), PRODUCT NO. 964 77 32-02  
CHASSIS AND ENCLOSURES



# REPAIR PARTS

## TRACTOR- MODEL NO. REN145THRB (REN145THRBA), PRODUCT NO. 964 77 32-02 CHASSIS AND ENCLOSURES

KEY NO.	PART NO.	DESCRIPTION
1	532 17 46-20	Chassis
2	532 18 03-84	Drawbar
3	817 06 06-12	Screw 3/8-16 x 3/4
5	532 15 52-72	Bumper Hood/Dash
6	532 18 44-19	Saddle
8	532 12 64-71	Clip Insulator 13/32 Mtg. Hole
9	532 19 06-94	Dash
10	872 14 06-08	Bolt, Carriage 3/8-16 x 3/4
11	532 17 49-96	Panel, Dash, L.H.
13	532 18 69-52	Panel, Asm. Dash R.H.
15	874 18 05-12	Screw, Machine, Truss Head 5/16-18 unc x 3/4
16	873 51 05-00	Nut
17	532 18 67-07	Hood
18	532 18 49-21	Bumper Hood
24	874 78 06-16	Bolt
25	819 13 13-12	Washer 13/32 x 13/16 x 12 Ga.
26	873 80 06-00	Nut
28	532 18 35-52	Grille /Lens Asm (Inc. #'s 29 and 212)
29	532 18 58-46	Lens, Grille
30	532 18 13-59	Fender
31	532 16 51-56	Bracket, Fender Support
33	532 18 11-93	Footrest, L.H.
34	532 18 11-94	Footrest, R.H.
35	872 11 06-06	Bolt
37	817 49 05-08	Screw Thdrol 5/16-18 x 1/2 TYT
38	532 18 17-48	Bracket Asm Pivot Mower Rear
39	532 17 47-14	Bracket Pivot Laser/Elite
69	532 14 24-32	Screw Hex Wsh
89	532 18 13-60	Console
145	532 15 65-24	Rod Pivot Chassis/Hood

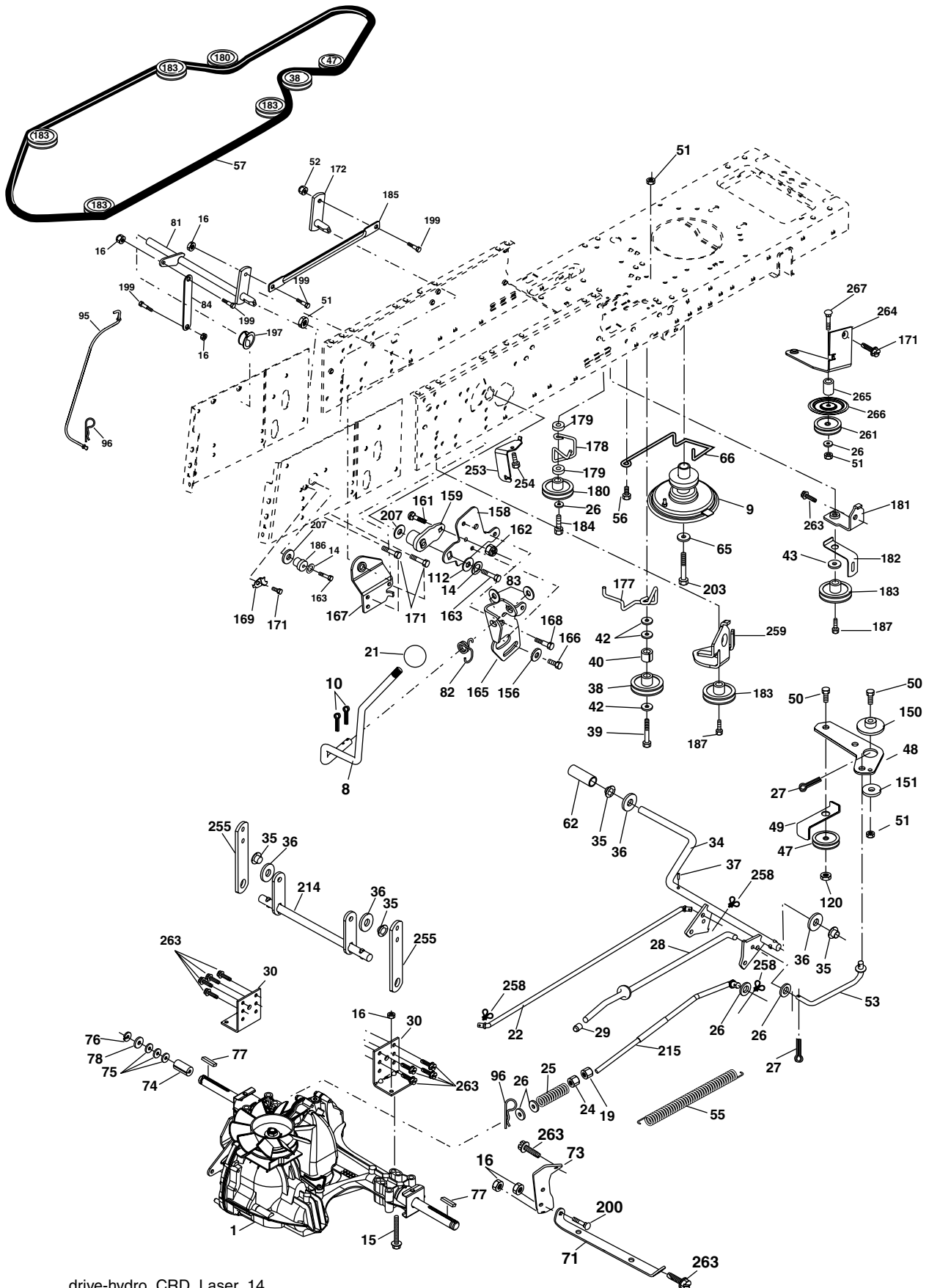
KEY NO.	PART NO.	DESCRIPTION
162	532 18 03-82	Bracket Exten Chassis Lh CRD
163	532 18 03-83	Bracket Exten Chassis Rh CRD
164	532 16 56-05	Support Battery CRD
165	532 18 13-56	Cover Battery
170	532 17 88-62	Backplate Asm CRD
171	872 14 06-20	Bolt Rdhd Sqnk 3/8-16 x 2-1/2 Gr. 5
172	819 13 20-16	Washer 13/32 x 1-1/4 x 16 Ga.
173	873 51 06-00	Nut, Keps Hex 3/8-16 unc
175	532 18 82-03	Guard Trap
179	532 18 82-02	Rod Pivot FBI CRD
184	532 17 46-62	Bracket Actuator Bagger CRD
185	532 18 11-01	Knob Rod Brake Parking
186	532 16 07-93	Latch Asm Mulch/Bagger
187	532 12 50-04	Nut Weld
188	819 06 12-16	Washer #10
189	810 07 10-00	Washer Lock #10
190	871 08 10-10	Screw Pan Hd Phillip 10-24 x 5/8
198	532 16 89-37	Nut, Push
205	817 49 06-08	Screw Thdrol 3/8-16 x 1/2
207	817 67 05-08	Screw Thdrol 5/16-18 x 1/2
208	817 67 06-08	Screw Thdrol 3/8-16 x 1/2
209	817 00 06-12	Screw Hex Wsh Thdrol 3/8-16
212	532 18 35-50	Insert Lens Reflective
256	532 18 13-61	Cover Fender Rack CRD
265	532 18 57-04	Seal Side RH
266	532 18 57-03	Seal Side LH
278	532 19 16-11	Screw
--	532 00 54-79	Plug, Button
--	532 18 78-01	Plug, Dome

**NOTE:** All component dimensions given in U.S. inches.  
1 inch = 25.4 mm.

# REPAIR PARTS

TRACTOR- MODEL NO. REN145THRB (REN145THRBA), PRODUCT NO. 964 77 32-02

DRIVE



drive-hydro\_CRD\_Laser\_14



# REPAIR PARTS

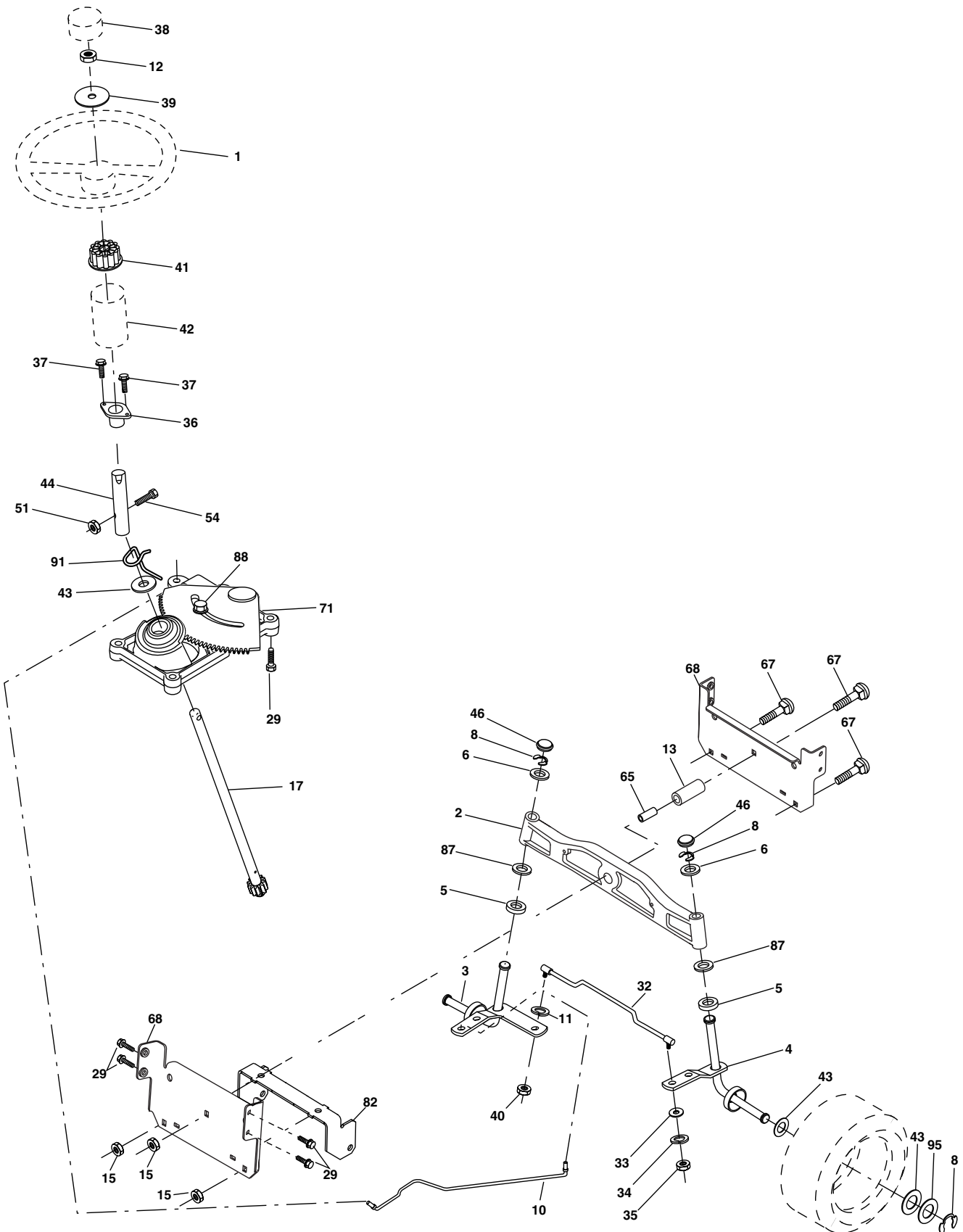
## TRACTOR- MODEL NO. REN145THRB (REN145THRBA), PRODUCT NO. 964 77 32-02 DRIVE

KEY NO.	PART NO.	DESCRIPTION	KEY NO.	PART NO.	DESCRIPTION
1	-----	Transaxle Hydro Gear 321-0510 (Order parts from transaxle manufacturer)	95	532 17 00-15	Control Asm Bypass Hydro
8	532 16 56-19	Rod, Shift Fender Adjust Lt	96	532 12 47-80	Spring, Retainer 1"
9	532 18 03-54	Clutch Asm	112	819 09 12-10	Washer 9/32 x 3/4 x 10 Ga.
10	876 02 04-16	Pin, Cotter 1/8 x 1	120	873 90 06-00	Nut Lock Flg. 3/8-16 unc
14	810 04 04-00	Washer, Lock Hvy Helical	150	532 16 58-50	Bushing, Bellcrank Grnd Dr
15	874 49 05-44	Bolt Hex FGHD 5/16-18 x Gr. 5	151	819 13 32-10	Washer 13/32 x 2 x 10 Ga.
16	873 80 05-00	Nut, Lock Hex w/Ins 5/16-18 unc	156	532 16 60-02	Washer Srrted 5/16 ID x 1.125
19	873 80 06-00	Nut Lock Hex W/Ins 3/8-16 unc	158	532 16 55-89	Bracket Shift Mount
21	532 10 69-33	Knob	159	532 18 39-00	Hub Tapered Flange Shift Lt
22	532 17 56-07	Rod, Brake	161	872 14 04-06	Bolt Rdhd Sqnk 1/4-20 x 3/4 Gr. 5
24	873 35 06-00	Nut	162	873 68 04-00	Nut Crownlock 1/4-20 unc
25	<b>532 19 20-36</b>	Spring, Rod, Brake	163	874 78 04-16	Bolt Hex Fin 1/4-20 unc x 1 Gr. 5
26	<b>819 13 16-16</b>	Washer 13/32 x 13/16 x 16 Ga.	165	532 16 56-23	Bracket Pivot Lever
27	876 02 04-12	Pin, Cotter 1/8 x 3/4	166	817 49 05-10	Screw 5/16-18 x 5/8
28	532 17 57-65	Rod, Parking Brake	167	532 16 55-88	Bracket Support Shift CRD
29	532 07 16-73	Cap, Parking Brake	168	532 16 54-92	Bolt Shoulder 5/16-18 x .561
30	532 16 95-92	Bracket, Mfg. Transaxle	169	532 16 55-80	Plate Fastening Lt
34	532 17 55-78	Shaft, Asm Pedal Foot CRD	171	817 49 06-08	Screw Thdrol 3/8-16 x 1/2 Ty-Tt
35	532 12 01-83	Bearing, Nylon	172	532 17 02-71	Shaft Asm Shifter Frt CRD
36	819 21 16-16	Washer 21/32 x 1 x 16 Ga.	177	532 16 59-32	Keeper Flat Idler 3.06" CRD
37	532 12 49-63	Pin, Roll 3/16 x 1"	178	532 16 59-33	Keeper Belt Idler 1.88" CRD
38	532 16 59-36	Pulley Flat Composite 3.06"	179	532 12 09-58	Washer Sintered
39	874 76 06-44	Bolt Fin Hex 3/8-16 unc x 2-3/4	180	532 16 56-30	Pulley, Idler, Flat 1.88"CRD
40	532 12 49-65	Spacer, Split 395 x 59 Bzp	181	532 18 02-11	Bracket Idler Ground Drive CRD
42	819 13 13-12	Washer 13/32 x 13/16 x 12 Ga.	182	532 18 26-82	Keeper Belt 2.5" Od V-Idler CRD
43	819 11 10-12	Washer 11/32 x 5/8 x 12 Ga.	183	532 18 60-07	Pulley V-Idler 2.50" Od CRD
47	532 12 77-83	Pulley, Idler, V Groove Plasic	184	817 49 06-44	Screw Hexwsh Thdrol 3/8-16 x 2-3/4
48	532 15 44-07	Bellcrank Clutch Grnd Drv	185	532 17 00-08	Link Shift
49	532 12 32-05	Retainer, Belt Style Spring	186	532 16 56-14	Hub Tapered Round CRD
50	872 11 06-12	Bolt Carr Sh 3/8-16 x 1-1/2 Gr. 5	187	817 58 05-20	Screw Thdrol 5/16-18 x 1.25
51	873 68 06-00	Nut, Crownlock 3/8-16 unc	197	532 16 96-13	Nyliner Snap-In 5/8
52	873 68 05-00	Nut, Crownlock 5/16-18	199	532 16 96-12	Bolt Shoulder 5/16-18 unc
53	532 10 57-10	Link, Clutch 7.66	200	872 14 05-08	Bolt RDHD SQNK 5/16-18 x 1
55	532 10 57-09	Spring, Return, Clutch	203	871 17 07-80	Bolt Hex 7/16-20 x 5
56	817 06 06-20	Screw 3/8-16 x 1-1/4	207	532 16 98-45	Washer Nylon Rear
57	532 17 01-40	V-Belt Kev 112" 0650 CRD	214	532 17 56-09	Shaft Asm. Brake
62	532 12 48-72	Cover, Pedal	215	532 17 56-52	Rod Brake Hydro
65	810 04 07-00	Washer	253	532 17 50-28	Bracket Cable Chassis
66	532 15 47-78	Keeper, Belt Engine F-Proof	254	817 00 06-16	Screw 3/8-16 x 1
71	532 16 91-82	Strap, Torque, Rh	255	532 17 56-08	Brace Shaft Brake Mtg.
73	532 16 91-83	Strap, Torque, Lh	258	532 17 80-62	Clip Retainer
74	532 13 70-57	Spacer, Split	259	532 18 02-12	Bracket Pulley
75	532 12 17-49	Washer 25/32 x 1-1/4 x 16 Ga.	261	532 13 14-94	Pulley idler Flat
76	812 00 00-01	Ring, E	263	817 00 06-12	Screw 3/8-16 x 3/4 Blk
77	532 12 35-83	Key, Square	264	532 18 19-95	Bracket Clutch Mtg.
78	532 12 17-48	Washer 25/32 x 1-5/8 x 16 Ga.	265	532 18 20-13	Spacer Idler Chassis
81	532 17 00-06	Asm, Shaft	266	532 18 20-61	Shield Idler Mower
82	532 16 57-11	Spring, Torsion	267	872 14 06-26	Bolt Rdhd Sqnk 3/8-16 x 3-1/4
83	819 17 12-16	Washer 17/32 x 3/4 x 16 Ga.			
84	532 17 00-07	Link, Transaxle			

**NOTE:** All component dimensions given in U.S. inches  
1 inch = 25.4 mm

# REPAIR PARTS

TRACTOR- MODEL NO. REN145THRB (REN145THRBA), PRODUCT NO. 964 77 32-02  
STEERING ASSEMBLY



steering\_pl.it\_49

# REPAIR PARTS

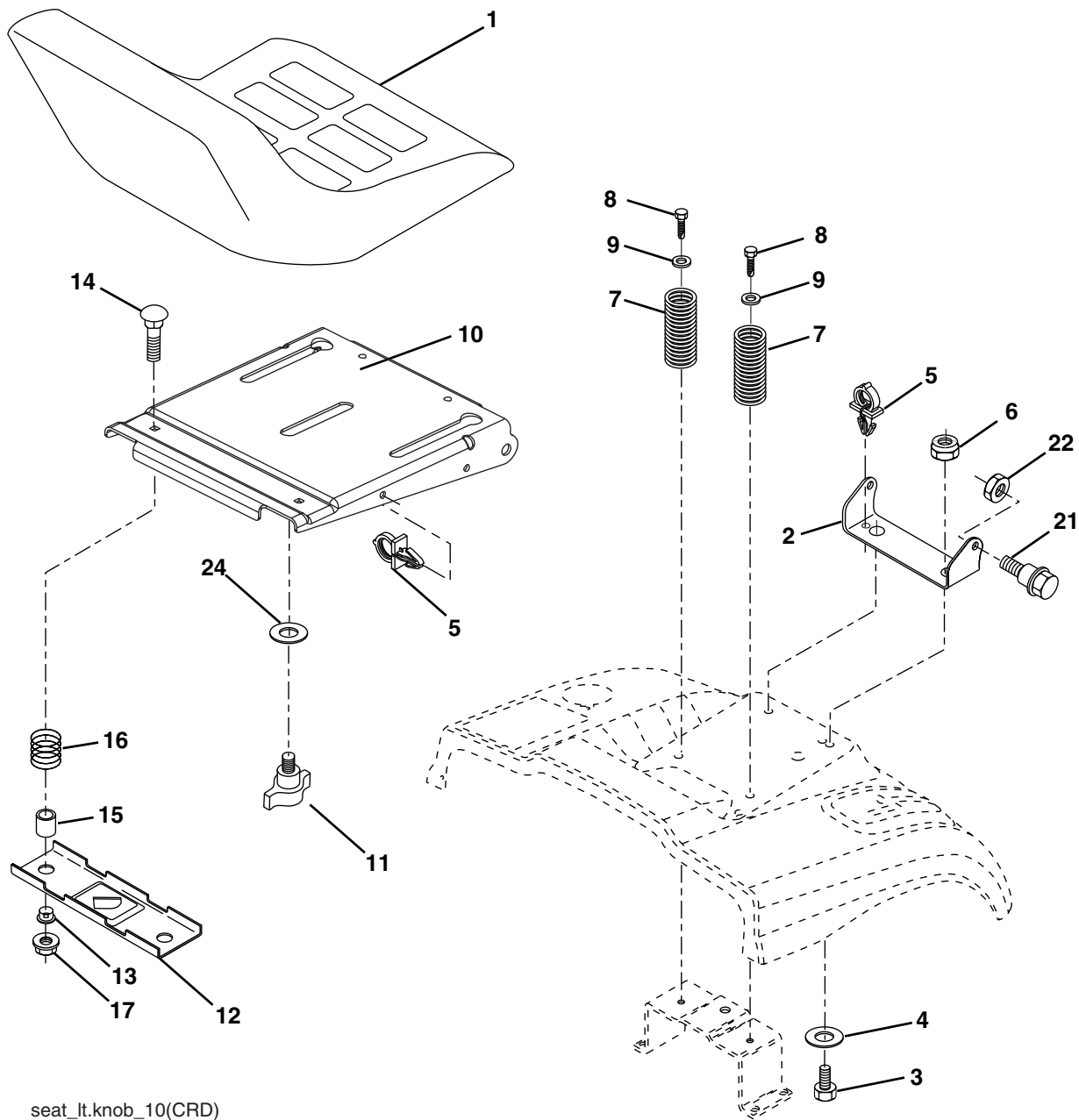
## TRACTOR- MODEL NO. REN145THRB (REN145THRBA), PRODUCT NO. 964 77 32-02 STEERING ASSEMBLY

KEY NO.	PART NO.	DESCRIPTION
1	532 13 97-68	Steering Wheel
2	532 18 47-06	Axle Asm Lt
3	532 16 98-40	Spindle Assembly, L.H.
4	532 16 98-39	Spindle Assembly, R.H.
5	532 12 49-31	Washer, Thrust .75 x 1.230
6	532 12 17-48	Washer 25/32 x 1-5/8 x 16 Ga.
8	812 00 00-29	Ring, Klip
10	532 17 51-21	Link, Drag
11	810 04 06-00	Washer, Lock
12	873 94 08-00	Nut Hex Jam Toplock 1/2-20
13	532 13 65-18	Spacer Brg Axle Front
15	532 14 52-12	Nut, Hex Flange Lock
17	532 18 06-41	Shaft Assembly, Steering
29	817 00 06-12	Screw 3/8-16 x 3/4
32	532 17 01-62	Rod, Tie
33	819 11 12-16	Washer 11/32 x 3/4 x 16 Ga.
34	810 04 05-00	Washer Lock Hvy Hlcl Spr 5/16
35	873 54 05-00	Crownlock Nut 5/16-24 unf
36	532 15 50-99	Bushing, Steering
37	532 15 29-27	Screw TT #10-32 x 5 x 3/8 Flange
38	532 14 01-75	Cap Wheel Steering
39	819 18 38-12	Washer 9/16 x 2-3/8
40	873 54 06-00	Nut Crownlock 3/8-24
41	532 18 67-37	Adaptor, Steering Wheel
42	532 16 96-33	Boot, Steering Dash P/L Mtl
43	532 12 17-49	Washer 25/32 x 1-1/4 x 16 Ga.
44	532 18 06-40	Extension Steering
46	532 12 12-32	Cap, Spindle
51	873 54 04-00	Nut 1/4-28
54	871 13 04-20	Bolt Hex 1/4-28 x 1-1/4
65	532 16 03-67	Spacer Brace Axle
67	872 11 06-18	Bolt Rdhd Sq 3/8-16 x 2-1/4
68	532 16 98-27	Brace Axle
71	532 17 51-46	Steering Asm.
82	532 16 98-35	Bracket Susp Chassis Front 15"
87	532 17 39-66	Washer Flat .781 x 1-1/2 x .14
88	532 17 51-18	Bolt Shoulder 7/16-20 unc
91	532 17 55-53	Clip Steering
95	532 18 89-67	Washer Hardened

**NOTE:** All component dimensions given in U.S. inches.  
1 inch = 25.4 mm.

# REPAIR PARTS

TRACTOR- MODEL NO. REN145THRB (REN145THRBA), PRODUCT NO. 964 77 32-02  
SEAT ASSEMBLY



seat\_lt.knob\_10(CRD)

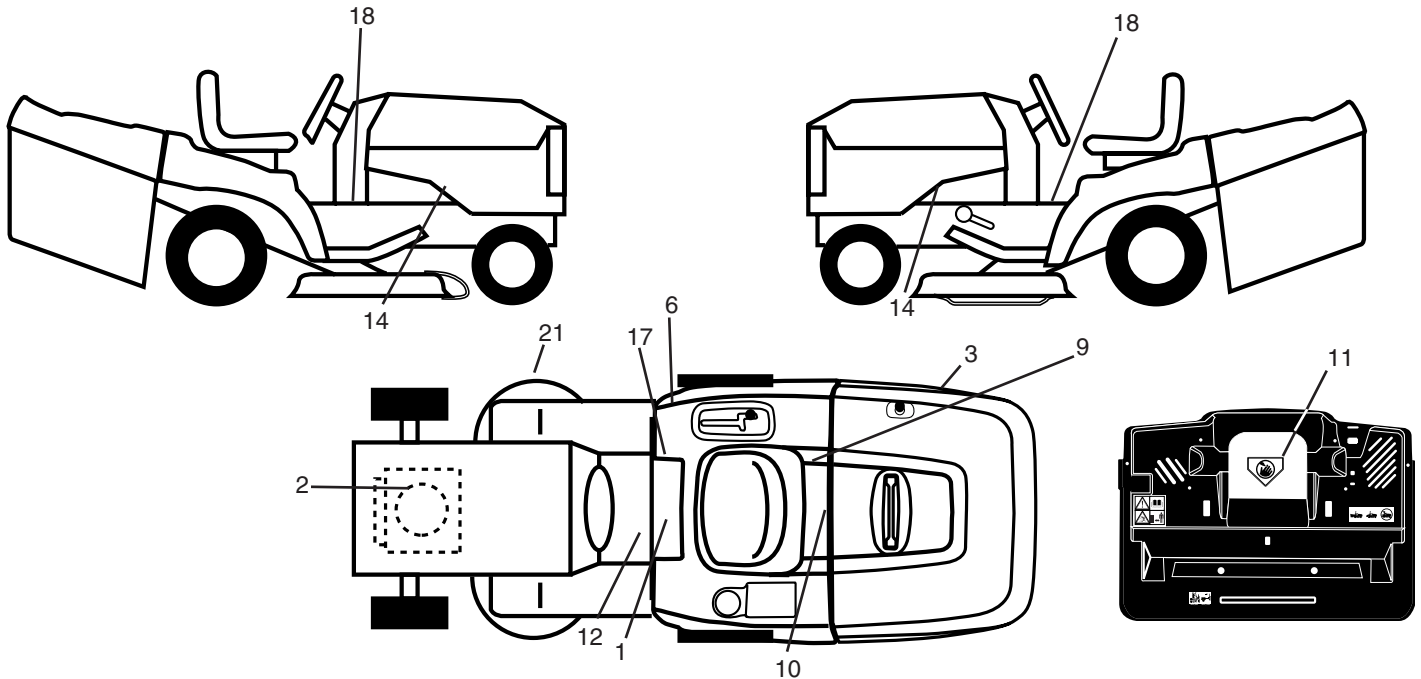
KEY NO.	PART NO.	DESCRIPTION
1	532 18 87-05	Seat
2	532 18 01-66	Bracket Pivot
3	871 11 06-16	Bolt Fin Hex 3/8-16 x 1 Blk
4	819 13 16-10	Washer Flat 13/32 x 1 x 10 Ga.
5	532 14 50-06	Clip Push In Hinged
6	873 80 06-00	Nut Lock Hex w/Ins 3/8-16
7	532 12 41-81	Spring Seat Cprsn 2 250 Blk Zi
8	817 00 06-16	Screw 3/8-16 x 1-1/2
9	819 13 16-14	Washer 13/32 x 1 x 14 Ga.
10	532 18 01-86	Pan Assembly Seat
11	532 16 63-69	Knob Seat Adj. Wingnut
12	532 12 12-46	Bracket Pnt Mounting Switch

KEY NO.	PART NO.	DESCRIPTION
13	532 12 12-48	Bushing Snap Blk Nyl 50 Id
14	872 05 04-12	Bolt Rdhd Sht Nk 1/4-20 x 1-1/2
15	532 13 43-00	Spacer Split
16	532 12 12-50	Spring Cprsn
17	532 12 39-76	Nut Lock 1/4 Lge Flg Gr. 5 Zinc
21	532 17 18-52	Bolt Shoulder 5/16-18 unc-2A
22	873 80 05-00	Nut Hex Lock w/Ins 5/16-18
24	819 17 19-12	Washer 17/32 x 1-3/16 x 12 Ga.

**NOTE:** All component dimensions given in U.S. inches.  
1 inch = 25.4 mm

# REPAIR PARTS

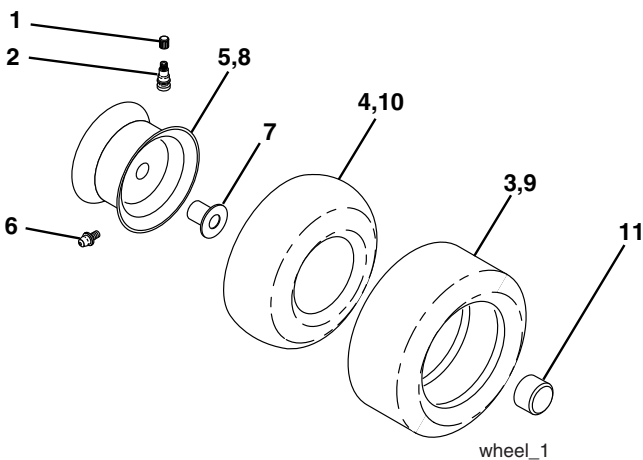
TRACTOR- MODEL NO. REN145THRB (REN145THRBA), PRODUCT NO. 964 77 32-02  
DECALS



KEY NO.	PART NO.	DESCRIPTION
1	532 14 54-98	Decal Read Owner's Manual Sym
2	532 18 98-88	Decal Hp Engine
3	532 18 26-21	Decal Frame Bagger
6	532 18 04-32	Decal 100 DBA/CE
10	532 14 50-05	Decal Bat Dan/Poi P/L Sym Wpn
11	532 18 21-66	Decal Mower Cut Finger Symbol
12	532 15 97-37	Decal Brake/Clutch Symbol Lt
14	532 15 97-36	Decal Chassis Hot Muffler
17	532 14 08-37	Decal Saddle Brake Parking

KEY NO.	PART NO.	DESCRIPTION
18	532 18 96-94	Decal Chassis
21	532 16 62-86	Decal Deck Sch 92 CRD
--	532 16 69-60	Decal Bypass
--	532 13 83-11	Decal Lift Handle
--	532 18 10-90	Pad Footrest R.H.
--	532 18 10-91	Pad Footrest L.H.
--	532 18 52-06	Manual Operator's (Euro)
--	532 18 52-29	Manual Operator's (Scan)
--	532 19 00-40	Manual Parts

## WHEELS & TIRES

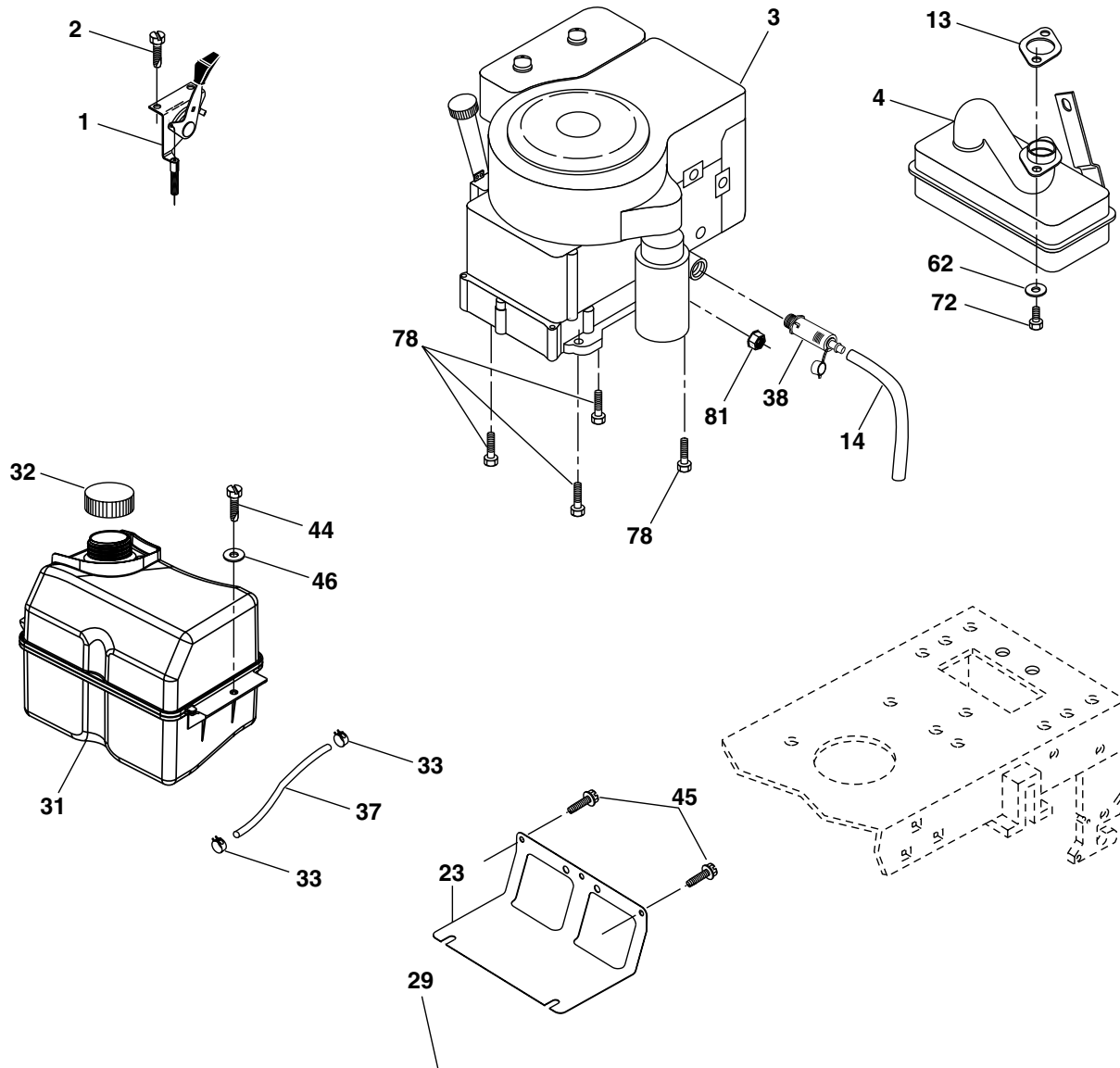


KEY NO.	PART NO.	DESCRIPTION
1	532 05 91-92	Cap Value Tire
2	532 06 51-39	Stem Value
3	532 10 62-22	Tire F Ts 15 x 6 0 - 6 Service
4	532 05 99-04	Tube Inner Front #35060
5	532 18 33-37	Rim Asm 6" front Service
6	532 12 49-57	Fitting Grease
7	532 12 49-59	Bearing Flange
8	532 18 33-38	Rim Asm 8" rear Service
9	532 12 20-82	Tire R Ts 20 x 10-8 Service
10	532 12 49-26	Tube Rear 9 5 x 8 Service
11	532 17 50-39	Cap Axle Blk 1 50 x 1 00
--	532 14 43-34	Sealant, Tire (10 oz. tube)

**NOTE:** All component dimensions given in U.S. inches  
1 inch = 25.4 mm

# REPAIR PARTS

TRACTOR- MODEL NO. REN145THRB (REN145THRBA), PRODUCT NO. 964 77 32-02  
ENGINE



**OPTIONAL EQUIPMENT**  
**Spark Arrester**

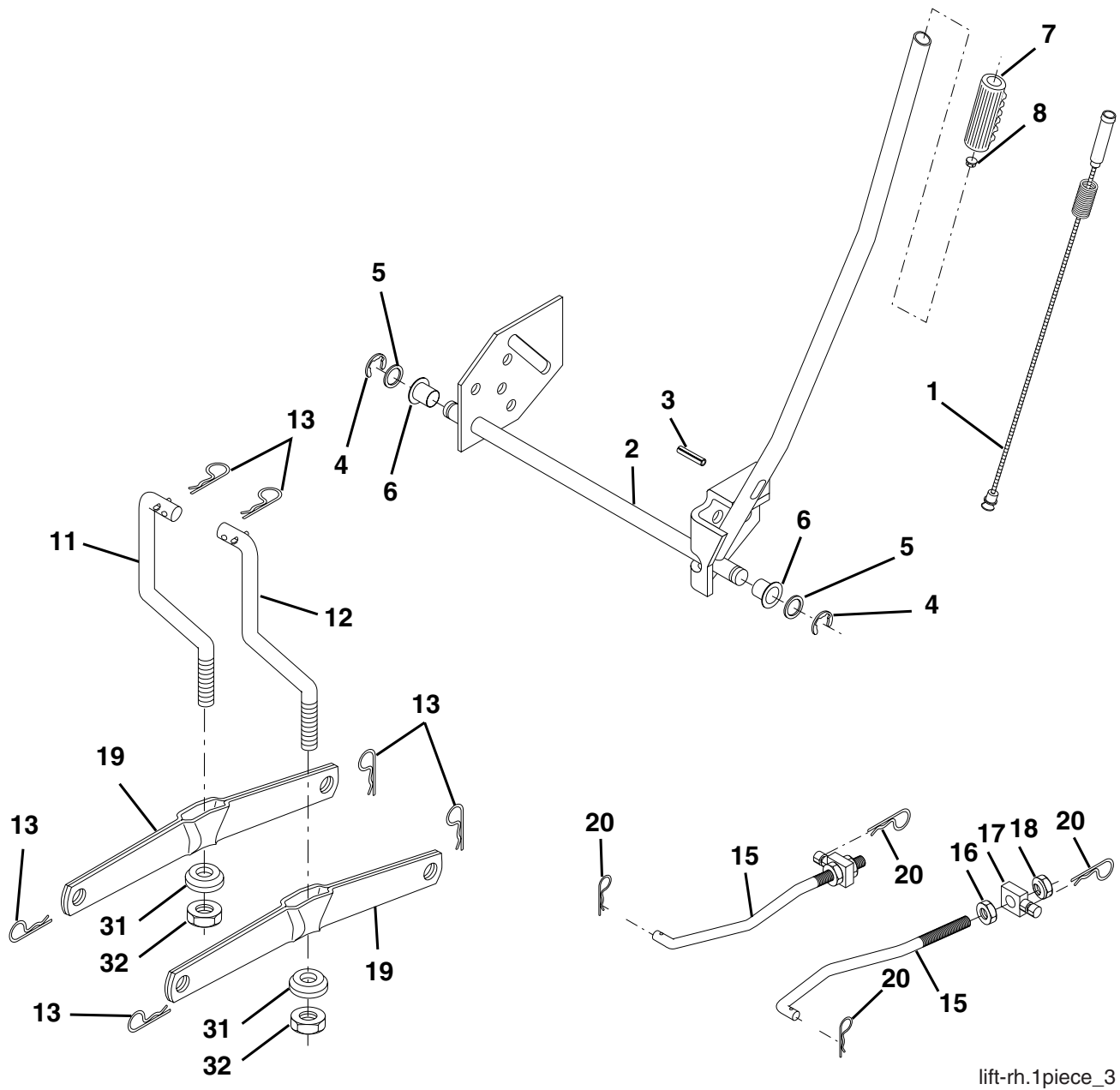
engine-tecumseh\_11

KEY NO.	PART NO.	DESCRIPTION	KEY NO.	PART NO.	DESCRIPTION
1	532 17 05-51	Control Throttle	37	532 13 70-40	Line Fuel 20"
2	817 72 04-08	Screw Hex Thd Cut 1/4-20 x 1/2	38	532 18 16-54	Oil Drain Plug (Order from Engine Manufacturer)
3	-----	Engine Tec Model OV490EA(Order Parts from Engine Manufacturer)	44	817 67 04-12	Screw Hexwsh Thdrol 1/4-20 x 3/4
4	532 13 73-51	Muffler	45	817 00 06-12	Screw Hexwsh Thdrol 3/8-16 x 3/4
13	532 14 92-72	Gasket	46	819 09 14-16	Washer 9/32 x 7/8 x 16 Ga.
14	532 14 84-56	Tube Drain Oil	62	810 04 05-00	Washer Split
23	532 16 98-37	Shield Browning/Debris Guard	72	871 07 05-12	Screw 5/16-18 x 3/4
25	532 18 09-45	Control Choke	78	817 06 06-20	Screw 3/8-16x1-1/4
29	532 13 71-80	Arrester Spark	81	873 51 04-00	Nut Keps Hex 1/4-20 unc
31	532 18 55-34	Tank Fuel			
32	532 14 05-27	Cap Asm Fule Top Vent N/Lany			
33	532 12 34-87	Clamp Hose Blk			

**NOTE:** All component dimensions given in U.S. inches  
1 inch = 25.4 mm

# REPAIR PARTS

TRACTOR- MODEL NO. REN145THRB (REN145THRBA), PRODUCT NO. 964 77 32-02  
MOWER LIFT



lift-rh.1piece\_3

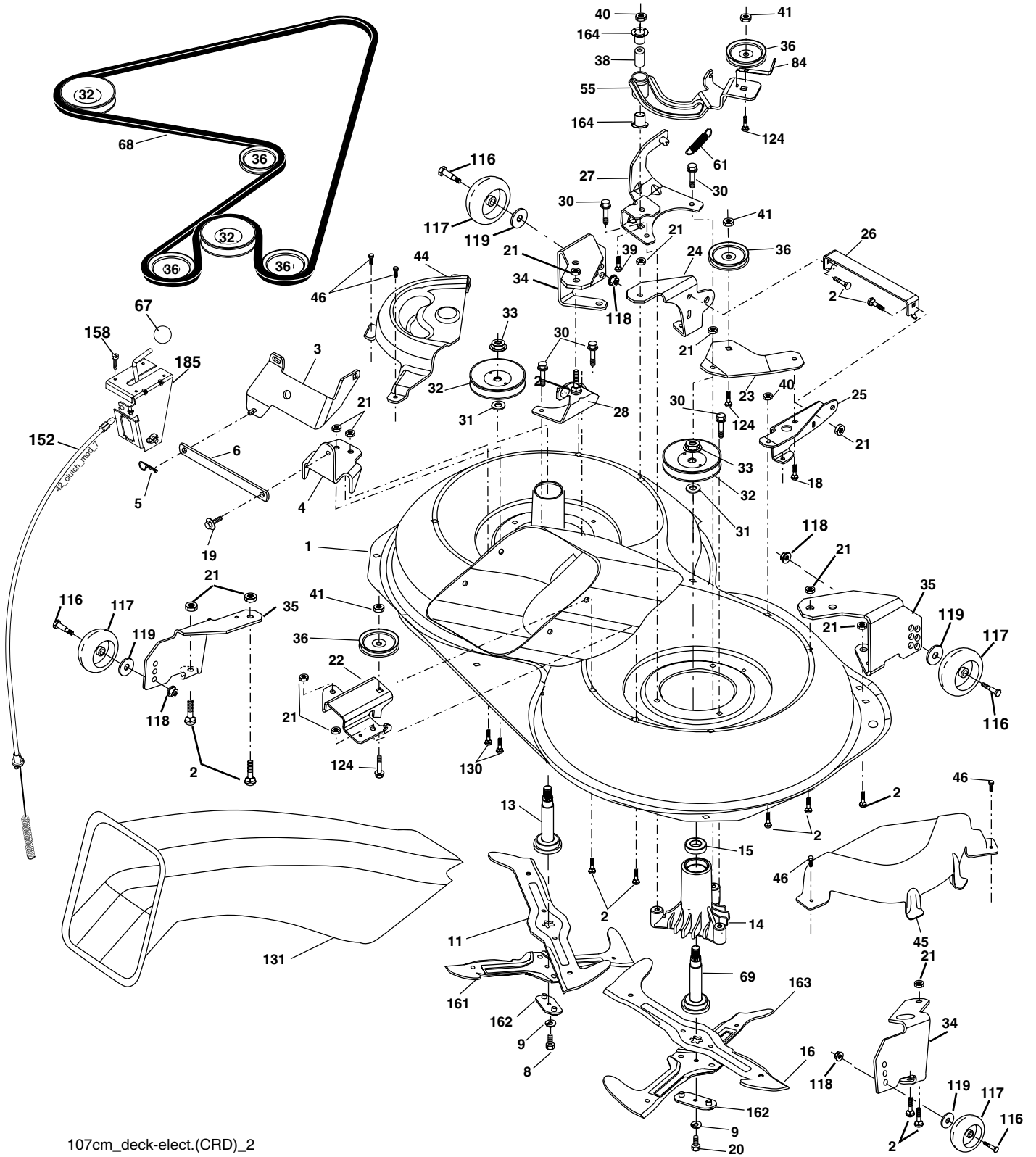
KEY NO.	PART NO.	DESCRIPTION
1	532 15 94-61	Washer Asm Inner Spring W/Plunger
2	532 15 94-76	Shaft Asm. Lift
3	532 18 88-22	Pin Groove
4	812 00 00-02	E Ring #5133-62
5	819 21 16-21	Washer 21/32 x 1 x 21 Ga.
6	532 12 01-83	Bearing Nylon
7	532 10 94-13	Grip Handle
8	532 12 45-26	Button Plunger Black
11	532 16 58-29	Link Asm Lift L.H.
12	532 16 58-31	Link Asm Lift R.H.
13	532 12 46-70	Retainer Spring

KEY NO.	PART NO.	DESCRIPTION
15	532 17 32-88	Link Front
16	873 35 08-00	Nut Jam Hex 1/2-13 unc
17	532 17 56-89	Trunnion
18	873 80 08-00	Nut Lock w/Wsh 1/2-13 unc
19	532 13 98-68	Arm Suspension Mower
20	532 16 35-52	Retainer Spring
31	532 16 98-65	Bearing, Pvt. Lift.
32	873 54 06-00	Nut Crownlock 3/8-24

**NOTE:** All component dimensions given in U.S. inches  
1 inch = 25.4 mm

# REPAIR PARTS

TRACTOR- MODEL NO. REN145THRB (REN145THRBA), PRODUCT NO. 964 77 32-02  
MOWER



107cm\_deck-elect.(CRD)\_2



# REPAIR PARTS

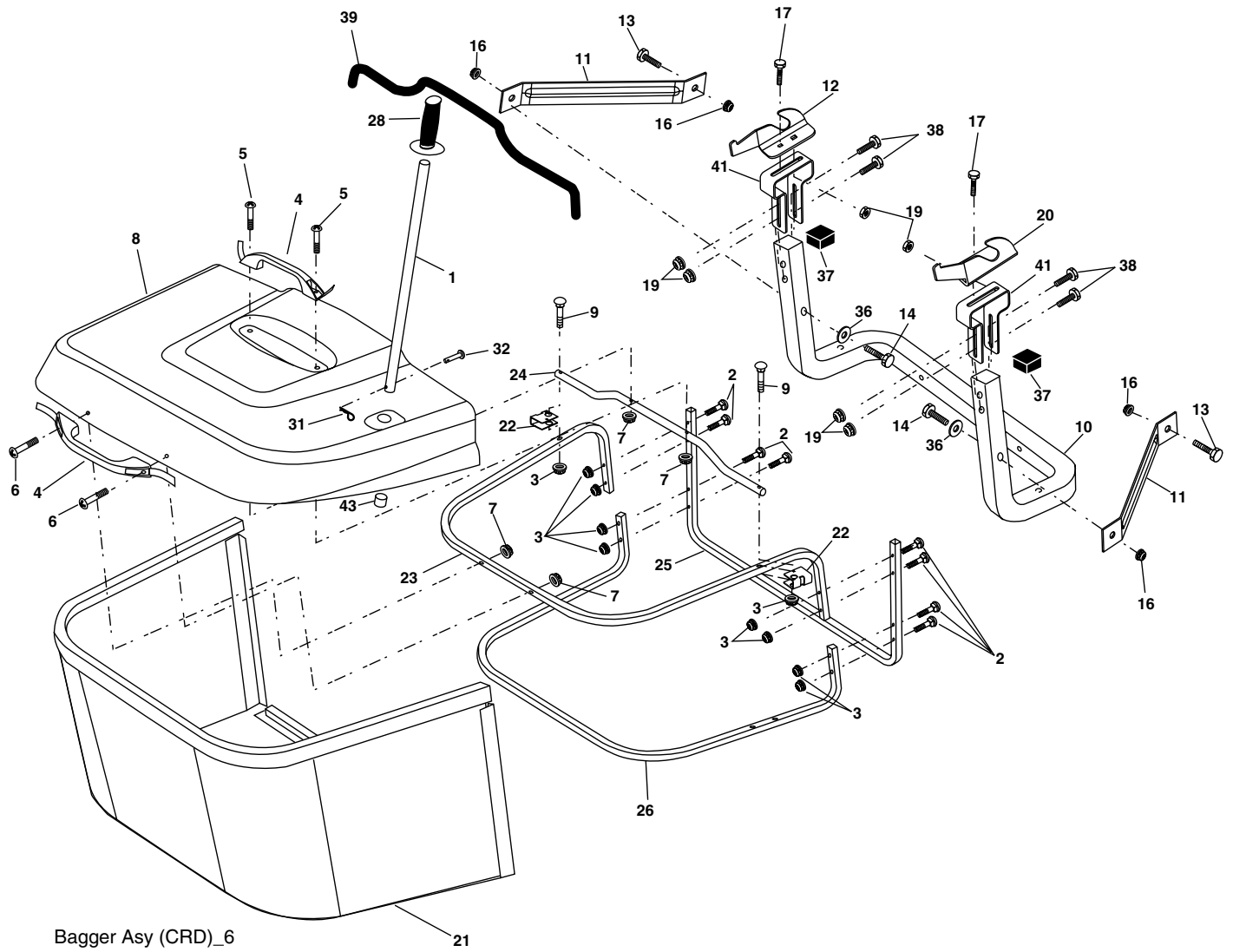
TRACTOR- MODEL NO. REN145THRB (REN145THRBA), PRODUCT NO. 964 77 32-02  
MOWER

KEY NO.	PART NO.	DESCRIPTION	KEY NO.	PART NO.	DESCRIPTION
1	532 16 91-60	Housing Asm. Mower 107 CRD	39	872 11 06-22	Bolt Rdhd 3/8-16 x 2-3/4
2	872 14 05-06	Bolt Rdhd Sqnk 5/16-18 unc x 3/4	40	873 68 06-00	Nut Crownlock 3/8-16 unc
3	532 16 55-69	Bracket Asm. S-Bar Chass 92 CRD	41	873 90 06-00	Nut Lock Flg. 3/8-16 unc
4	532 16 91-67	Bracket Bar Sway Deck 107 CRD	44	532 17 55-38	Cover Mandrel Lh 92 CRD
5	532 12 46-70	Retainer Spring	45	532 17 55-39	Cover Mandrel Rh 92 CRD
6	532 16 55-57	Bar Sway 92 CRD	46	532 13 77-29	Screw Thd Roll 1/4-20 x 5/8
8	532 18 17-12	Bolt 3/8-24 x 1.25 Gr. 8 Patched	55	532 16 98-49	Arm Idler 107 CRD
9	810 03 06-00	Washer Lock Hvy 3/8 Unplated	61	532 17 51-59	Spring Tension Belt
11	532 18 05-83	Blade 3-1 Lh 107 CRD	67	532 10 69-32	Knob Rd 3/8-16 Plstdc Thds Blk
13	532 13 76-45	Shaft Asm. W/Lower Bearing	68	532 16 91-78	Hex-Belt 107 Mower
14	532 12 87-74	Housing Mandrel Vented (Machd)	69	532 16 54-82	Shaft Asm W/Lwr Brg Rh Thd CRD
15	532 11 04-85	Bearing Ball Mandrel	84	532 15 60-85	Keeper Belt Idler
16	532 18 05-84	Blade 3-1 Rh 107 CRD	116	532 18 42-19	Bolt Shoulder
18	872 11 06-06	Bolt Rd 3/8-16 x 3/4	117	532 13 39-57	Wheel Gage Donut Wide
19	532 13 28-27	Bolt Shoulder 5/16-18 Thd Form	118	873 93 06-00	Nut Centerlock 3/8-16 unc
20	532 18 17-13	Bolt 3/8-24 x 1.25 Gr. 8 Ptch Lhthd	119	819 12 14-14	Washer 3/8 x 7/8 x 14 Ga.
21	873 68 05-00	Nut Crown Lock 5/16-18	124	872 11 06-12	Bolt Carr Sh 3/8-16 x 1-1/2 Gr. 5
22	532 16 91-65	Bracket Idler Sprt RR 107 CRD	130	872 11 05-06	Bolt Rdhdsqnk 5/16-18 unc x 3/4
23	532 16 91-66	Bracket Idler Sprt RF 107 CRD	131	532 16 56-61	Chute Bagger CRD 92cm
24	532 16 91-70	Bracket Suspension LF 107 CRD	152	532 17 60-74	Cable Clutch CRD Service
25	532 16 91-71	Bracket Suspension RF 107 CRD	158	817 72 04-08	Screw Hex Thd Cut 1/4-20 x 1/2
26	532 16 52-37	Brace Support Susp Frt CRD	161	532 18 04-24	Blade Cross LH 107
27	532 16 91-72	Bracket Asm. Susp RR 107 CRD	162	532 18 08-78	Adapter Weldment Blade 107
28	532 16 91-68	Bracket Asm. Susp LR 107 CRD	163	532 18 04-25	Blade Cross RH 107
30	532 17 39-84	Screw Thd Rolling	164	532 12 49-37	Bearing
31	532 18 76-90	Washer Spacer	185	532 18 82-34	Head Asm Cable Clutch
32	532 17 57-07	Mandrel Pulleys	--	532 18 18-57	Mandrel Asm Service
33	532 17 83-42	Nut Flg Top Lock	--	532 18 18-58	Mandrel Asm CRD Lh Threads
34	532 17 95-09	Bracket Gauge Wheel Lf 92 CRD	--	532 18 17-70	Replacement Mower Complete
35	532 17 62-92	Bracket Gauge Wheel Rf 92 CRD			
36	532 14 67-63	Pulley Idler V-Groove Dim 4.25			
38	532 16 98-51	Spacer Hub Arm Idler 107			

**NOTE:** All component dimensions given in U.S. inches  
1 inch = 25.4 mm

# REPAIR PARTS

TRACTOR- MODEL NO. REN145THRB (REN145THRBA), PRODUCT NO. 964 77 32-02  
BAGGER



# REPAIR PARTS

TRACTOR- MODEL NO. REN145THRB (REN145THRBA), PRODUCT NO. 964 77 32-02  
BAGGER

KEY NO.	PART NO.	DESCRIPTION
1	532 16 52-49	Tube Handle Bagger CRD
2	872 14 04-16	Bolt Carriage 1/4-20 x 2.0 Gr. 5
3	532 12 39-76	Nut Lock 1/4 Lge Flg Gr. 5 Zinc
4	532 16 99-16	Handle Bagger w/Lvrs Blk CRD
5	874 98 10-24	Screw Pan Head #10-24 x 1.50 Blk
6	874 98 10-32	Screw Pan Hd
7	873 40 10-00	Nut Wiz Lock Hex Serr/Hd 10-24
8	532 18 13-54	Cover Bagger
9	872 14 04-18	Bolt Carriage 1/4-20 x 2.25d x Gr. 5
10	532 18 12-82	Tube Support Bagger CRD
11	532 16 57-19	Bracket Support Upper Bag CRD
12	532 18 88-48	Bracket Pivot LH
13	872 11 06-06	Bolt Rdhd Sht Sqnk 3/8-16 x 3/4
14	874 52 06-36	Bolt Hex 3/8-16 x 2-1/4 Gr. 5
16	873 90 06-00	Nut Lock Flg 3/8-16 Unc
17	872 14 05-06	Bolt Rdhd Sht Sqnk 5/16 -18 unc x 3/4
19	873 90 05-00	Nut Lock Hex Flange 5/16-18
20	532 18 88-47	Bracket Pivot RH
21	532 18 08-80	Bag Asm CRD
22	532 16 57-81	Bracket Side Bagger CRD
23	532 16 57-82	Tube Upper Bagger CRD
24	532 16 57-83	Tube Pivot Bagger CRD
25	532 18 01-24	Tube Front Bagger CRD
26	532 16 57-85	Tube Lower Bagger CRD
28	532 16 57-87	Grip Handle Black
31	532 16 94-84	Retainer Clip
32	532 12 68-75	Rivet Rd Hd Drilled 3/8 Dia
36	819 13 20-16	Washer 13/32 x 1-1/4 x 16 Ga.
37	532 17 54-01	Plug Suport Bagger CRD
38	872 01 05-20	Bolt 5/16-18 x 2-1/2
39	532 18 09-85	Seal 37"
41	532 16 96-83	Bracket Vert Adj Bagger CRD
43	532 17 40-83	Plug Tubing End

**NOTE:** All component dimensions given in U.S. inches  
1 inch = 25.4 mm

**Rally**