



**REPAIR PARTS MANUAL**  
**MODEL NO. RYX820J**  
**5.0 HP 17 Inch**  
**Tiller**

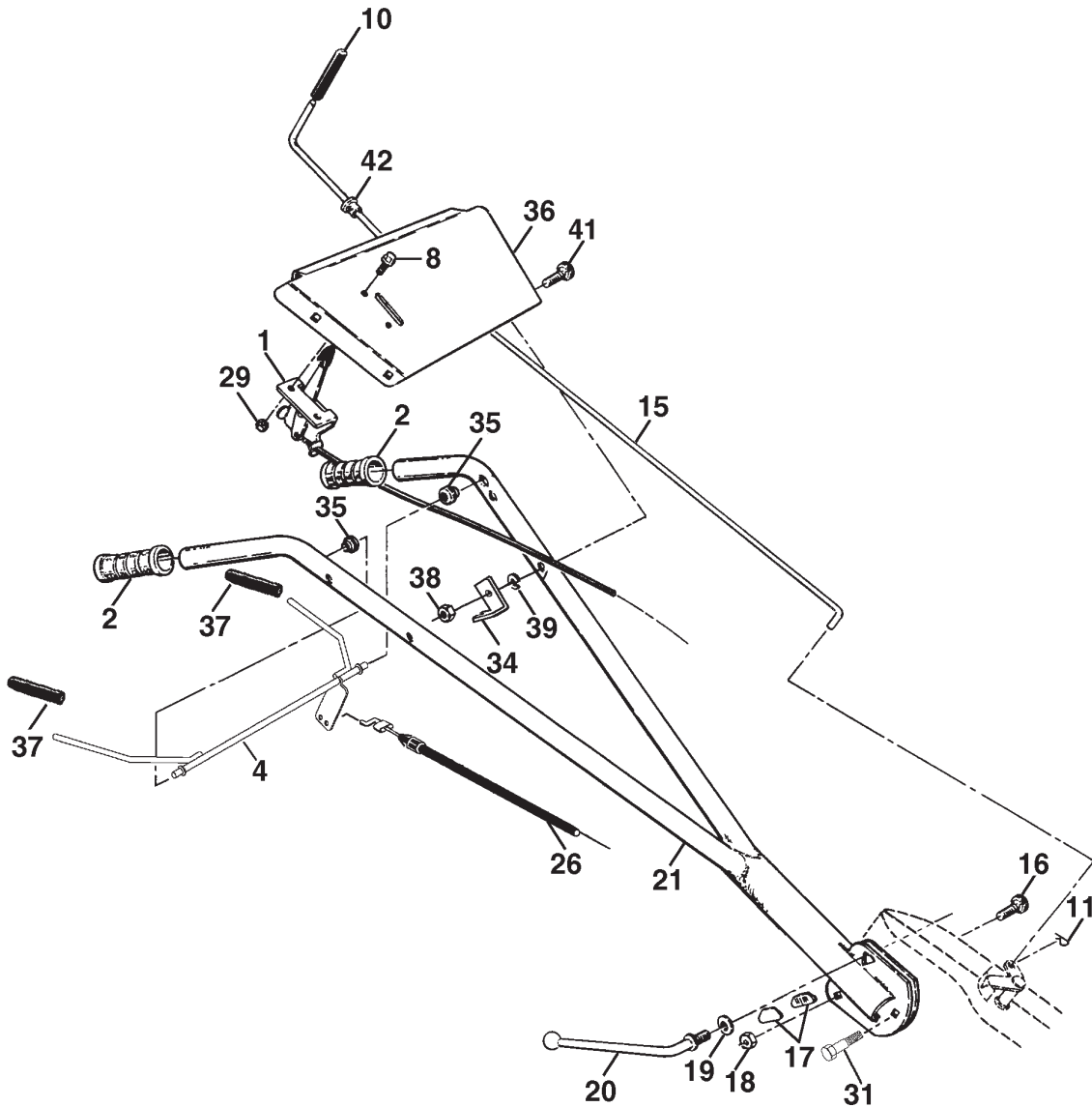
---

**Rally**

# REPAIR PARTS

## TILLER - - MODEL NUMBER RYX820J

### HANDLE ASSEMBLY



KEY NO.	PART NO.	DESCRIPTION
1	180634	Control, Throttle
2	150744	Grip, Handle
4	159227	Bar, Control
8	71191008	Screw, Pan Hd. #10-24
10	8389J	Grip, Handle
11	4497H	Clip, Hairpin
15	108281X	Rod, Shift
16	72110608	Bolt, Carriage 3/8-16 x 1 Gr. 5
17	109229X	Lock, Handle
18	73680600	Nut Crownlock 3/8-16 UNC
19	19131611	Washer 13/32 x 1 x 11 Ga.
20	109228X	Lever, Lock, Handle
21	150217	Handle

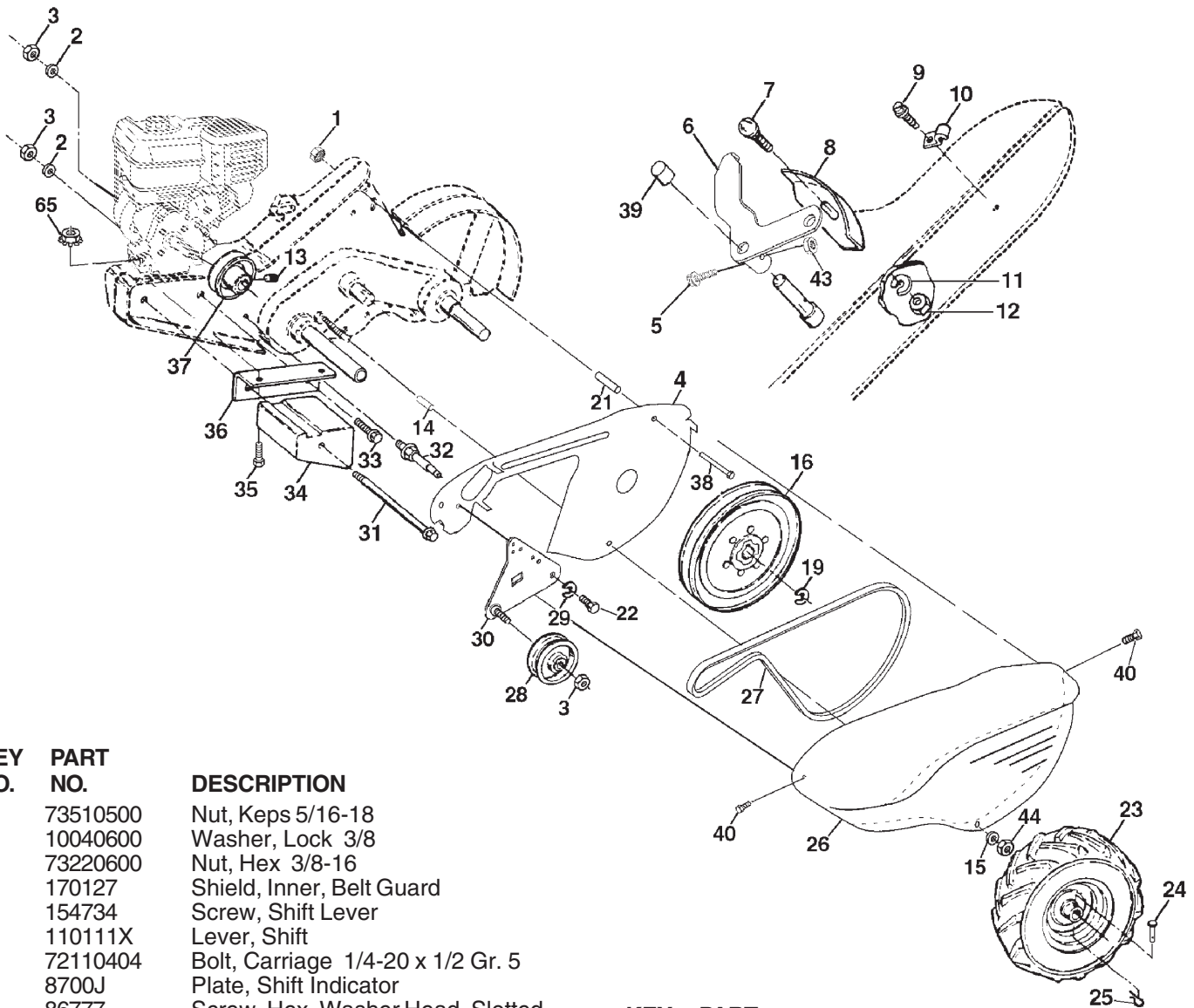
KEY NO.	PART NO.	DESCRIPTION
26	159232	Cable, Clutch
29	73731000	Nut, Keps #10-24 UNC
31	150696	Bolt, Pivot
34	145821	Bracket, Clutch Cable
35	146480	Grommet, Handle
36	180456X505	Bracket, Handle
37	102604X	Grip, Bar Control
39	10040500	Washer, Lock 5/16
38	73800500	Locknut 5/16-18
41	72110514	Bolt, Carriage 5/16-18 x 1-3/4
42	121248X	Bushing, Snap

**NOTE:** All component dimensions given in U.S. inches.  
1 inch = 25.4 mm

# REPAIR PARTS

## TILLER - - MODEL NUMBER RYX820J

### MAINFRAME, LEFT SIDE



KEY NO.	PART NO.	DESCRIPTION
1	73510500	Nut, Keps 5/16-18
2	10040600	Washer, Lock 3/8
3	73220600	Nut, Hex 3/8-16
4	170127	Shield, Inner, Belt Guard
5	154734	Screw, Shift Lever
6	110111X	Lever, Shift
7	72110404	Bolt, Carriage 1/4-20 x 1/2 Gr. 5
8	8700J	Plate, Shift Indicator
9	86777	Screw, Hex, Washer Head, Slotted #10-24 x 1/2
10	9484R	Clip
11	10040400	Washer, Lock 1/4
12	73220400	Nut, Hex 1/4-20
13	23230506	Screw, Set, Hex 5/16-18 x 3/8
14	156117	Spacer, Split 0.327 x 0.42 x 1.220
15	19111116	Washer 11/32 x 11/16 x 16 Ga.
16	145102	Sheave, Transmission
19	12000028	Ring, Retainer
21	110652X	Spacer, Split 0.327 x 0.42 x 2.09
22	74770508	Bolt Hex 5/16-24 x 1/2
23	102190X	Tire
	150750	Rim
	795R	Tire Valve
24	126875X	Rivet, Drilled
25	4497H	Clip, Hairpin
26	165501X505	Guard, Belt
27	132801	Belt, V
28	104679X	Pulley, Idler

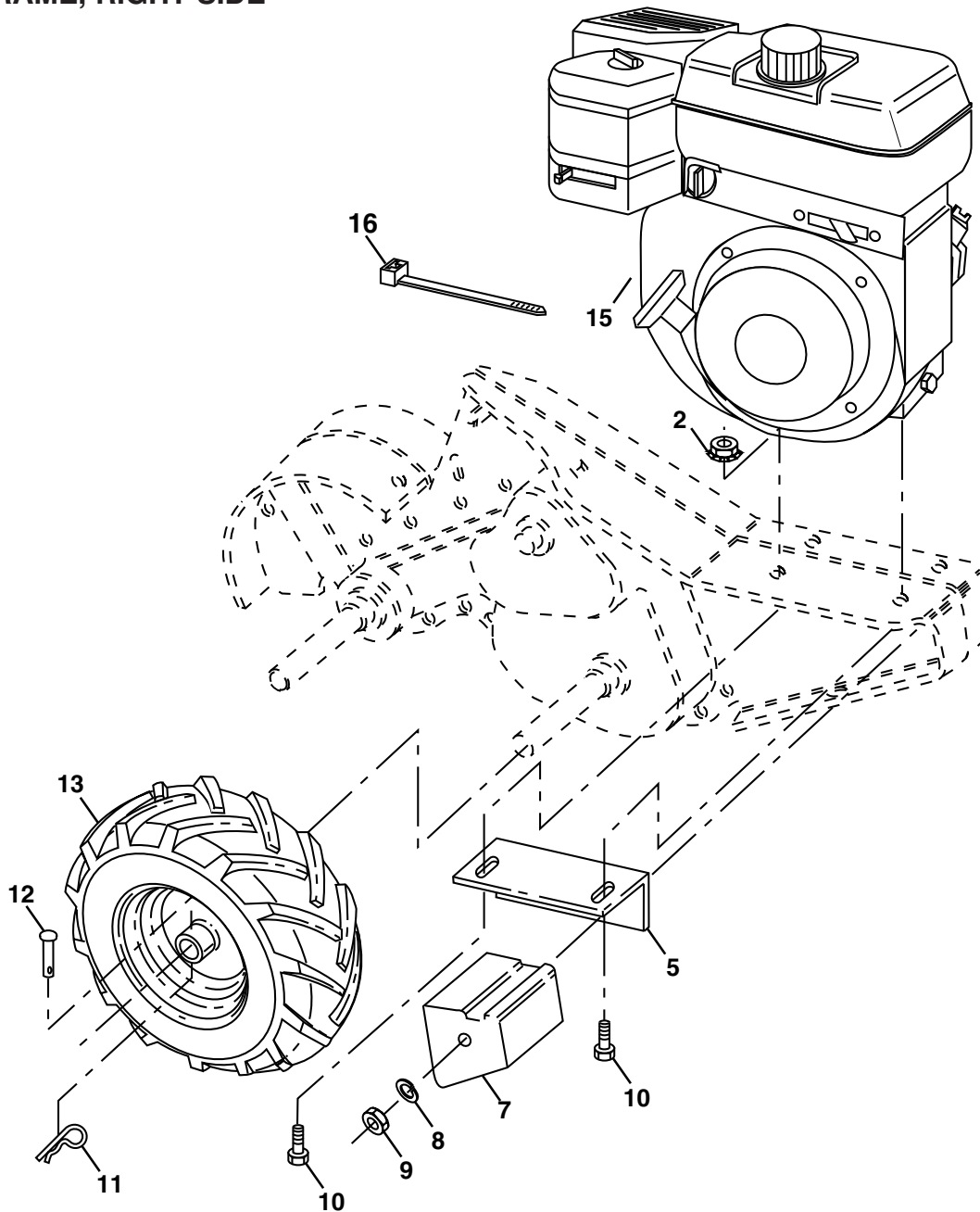
KEY NO.	PART NO.	DESCRIPTION
29	12000032	Ring, Klip
30	159229	Bracket, Idler
31	102384X	Bolt, Hex 5/16-16 x 12
32	102141X	Shaft, Idler Arm
33	74760616	Bolt, Hex 3/8-16 x 1
34	102383X	Counterweight, L. H.
35	74760524	Bolt, Hex 5/16-18 x 1-1/2
36	102331X	Bracket, Reinforcement, L. H.
37	130812	Sheave, Engine
38	74760544	Bolt, Hex 5/16-18 x 2-3/4
39	140062	Cap, Plunger
40	170488	Screw, Hex Wsh Slit #10-24x .50
43	69180	Nut, Lock #10-24
44	73800500	Nut, Lock 5/16-18
65	73970500	Nut, Lock Hex Flange

**NOTE:** All component dimensions given in U.S. inches.  
1 inch = 25.4 mm

# REPAIR PARTS

## TILLER - - MODEL NUMBER RYX820J

### MAINFRAME, RIGHT SIDE



KEY NO.	PART NO.	DESCRIPTION
2	73970500	Nut, Hex Flange
5	102332X	Bracket, Reinforcement
7	102173X	Counter Weight, R.H.
8	10040600	Washer, Lock 3/8
9	73220600	Nut, Hex 3/8-16
10	74760524	Bolt, Hex 5/16-18 x 1-1/2
11	4497H	Clip, Hairpin

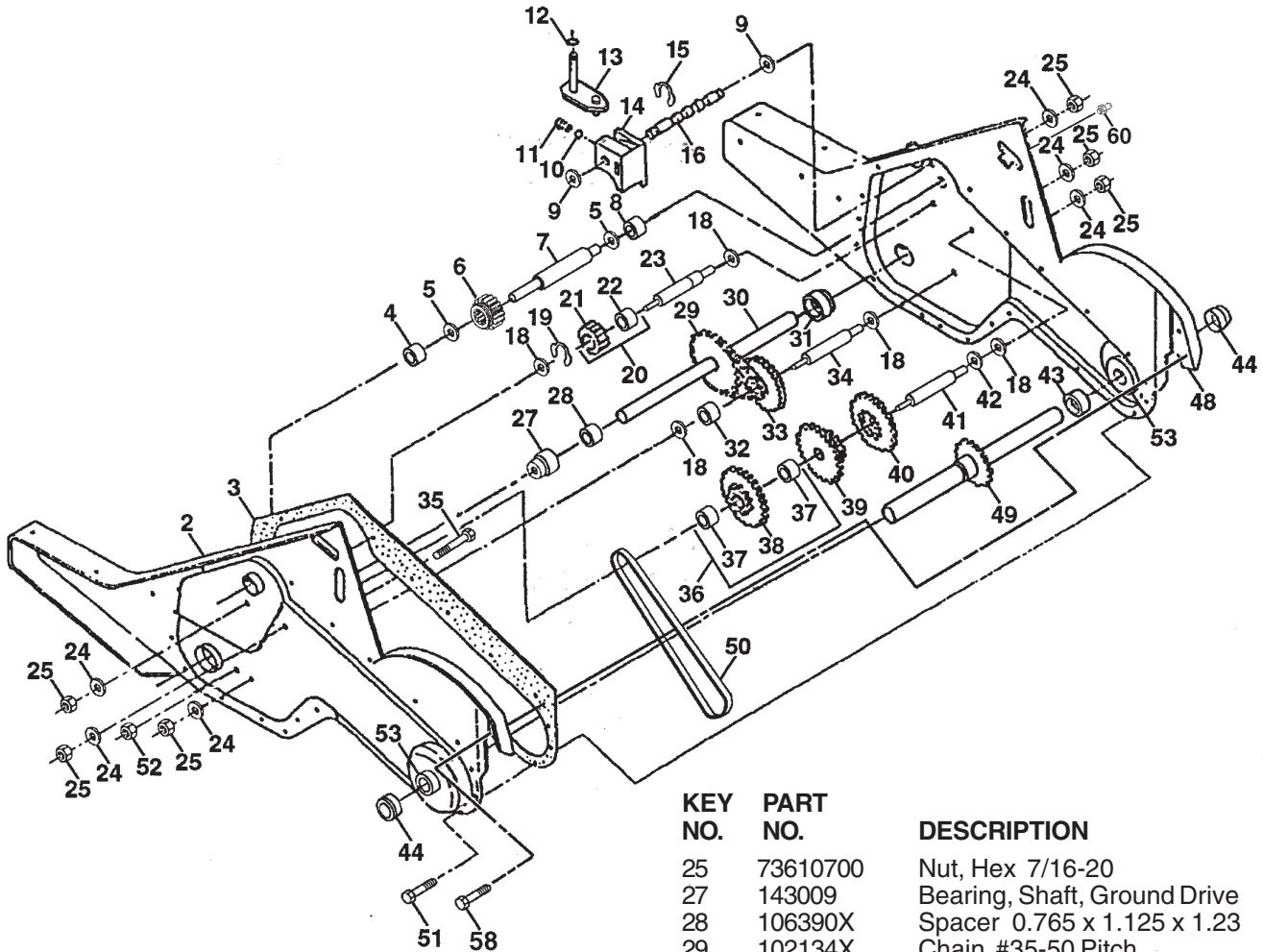
KEY NO.	PART NO.	DESCRIPTION
12	126875X	Rivet, Drilled
13	102190X	Tire
	150750	Rim
	795R	Tire Valve
15	-----	Engine, Briggs & Stratton
16	7192J	Tie Cable

NOTE: All component dimensions given in U.S.inches.  
1 inch = 25.4 mm

# REPAIR PARTS

## TILLER - - MODEL NUMBER RYX820J

### TRANSMISSION



KEY NO.	PART NO.	DESCRIPTION
1	180677	Transmission Assembly (Includes Key Nos. 2-52)
2	180627	Gearcase, L.H. w/Bearing (Includes Key No. 4)
3	161963	Gasket, Gearcase
4	5020J	Bearing, Needle
5	1370H	Washer, Thrust 5/8 x 1.10 x 1/32
6	137335	Pinion, Input
7	145101	Shaft, Input
8	4895H	Bearing, Needle
9	154467	Washer, Seal
10	7392M	Ball, Steel
11	100371K	Spring, Shift, Fork
12	106160X	O-Ring
13	142145	Arm, Shift
14	8353J	Fork, Shift
15	12000039	Ring, Klip
16	154466	Shaft, Shift
18	4358J	Washer
19	12000040	Ring, Klip
20	102114X	Gear, Assembly, Reverse Idler (Includes Key Nos. 21 and 22)
21	102115X	Gear, Reverse Idler
22	6803J	Bearing, Needle
23	102111X	Shaft, Reverse Idler
24	10040700	Washer, Lock 7/16

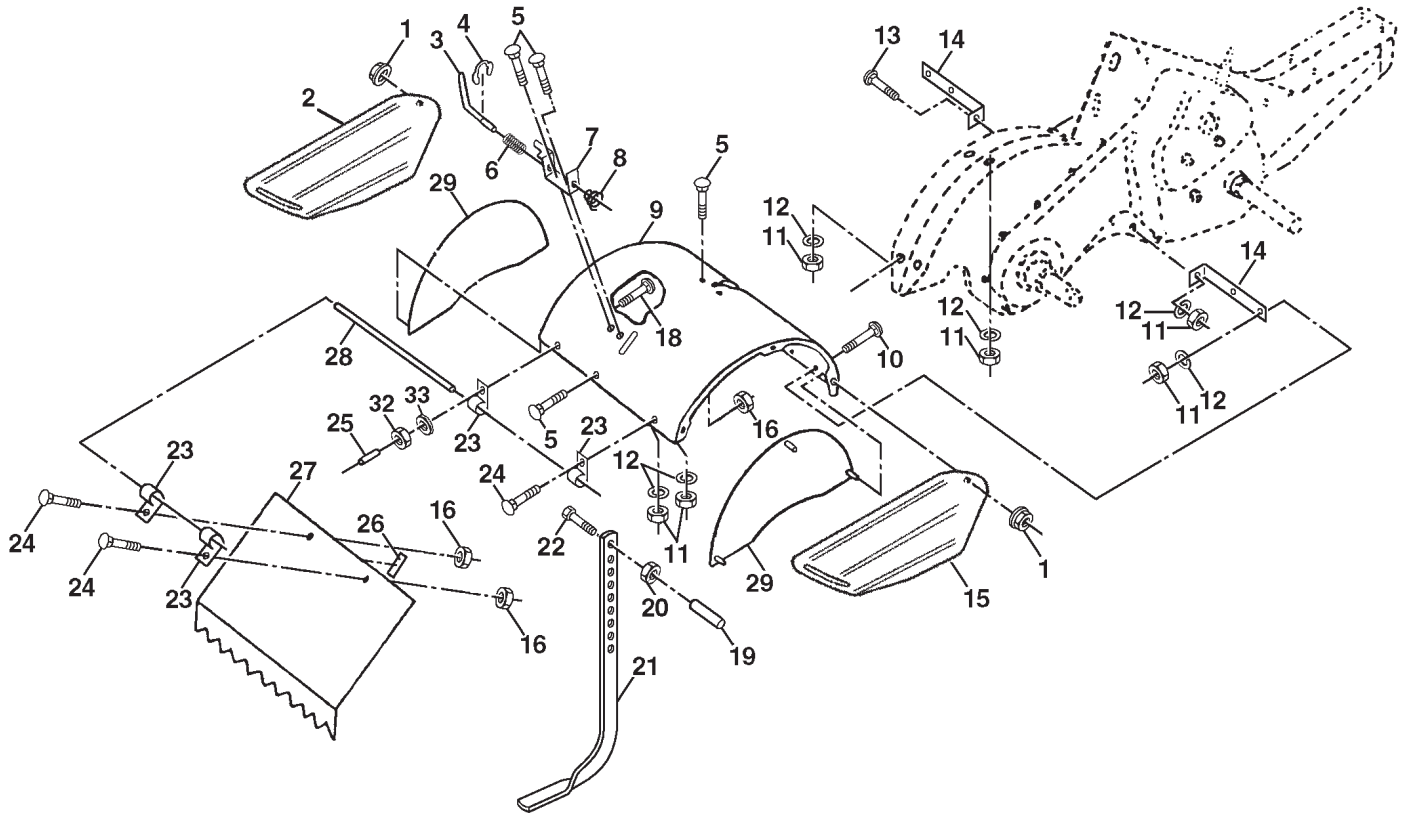
KEY NO.	PART NO.	DESCRIPTION
25	73610700	Nut, Hex 7/16-20
27	143009	Bearing, Shaft, Ground Drive
28	106390X	Spacer 0.765 x 1.125 x 1.23
29	102134X	Chain #35-50 Pitch
30	150737	Ground Shaft Assembly
31	143008	Bearing, Shaft, Ground Drive
32	106388X	Spacer 0.70 x 1.00 x 1.150
33	102121X	Sprocket and Gear Assembly
34	102112X	Shaft, Reduction (2nd)
35	102101X	Screw, Whiz, Lock 5/16-18 x 3-1/2
36	154355	Sprocket Assembly w/Bearing (Includes Key Nos. 37 and 38)
37	4422J	Bearing, Needle
38	154356	Sprocket, Tine
39	105345X	Gear, Cluster, Red 1st & 2nd
40	105346X	Gear, Reverse
41	8358J	Shaft, Reduction (1st)
42	4220R	Washer, Thrust
43	106146X	Spacer 1.01 x 1.75 x 0.760
44	155236	Seal Asm, Oil
48	180631	Gearcase, R.H. w/Bearing (Includes Key No. 8)
49	132688	Shaft, Tine
50	106147X	Chain, Roller #50-50 Pitch
51	17720408	Screw 1/4-20 x 1/2
52	73220500	Nut, Hex 5/16-18
53	165140	Kit, Bearing, Tine Shaft
58	179520	Bolt Shoulder 1/4-20 x 7/8
60	6855M	Fitting Grease
--	6066J	Grease, Plastilube #1

NOTE: All component dimensions given in U.S. inches.  
1 inch = 25.4 mm

# REPAIR PARTS

## TILLER - - MODEL NUMBER RYX820J

### TINE SHIELD



KEY NO.	PART NO.	DESCRIPTION
1	73900500	Nut, Flange 5/16-18
2	161415X505	Shield, Side, Outer L. H.
3	8393J	Pin, Stake, Depth
4	12000036	Ring, Klip
5	72140506	Bolt, Carriage 5/16-18 x 3/4 Gr 5
6	8394J	Spring
7	8392J	Bracket, Latch
8	109230X	Spring, Depth Stake
9	102326X505	Shield, Tine
10	72140508	Bolt 5/16-18 x 1
11	73220500	Nut, Hex 5/16-18
12	10040500	Washer, Lock 5/16
13	72110510	Bolt, Carriage 5/16-18 x 1-1/4
14	124343X	Bracket, Shield Tine
15	161414X505	Shield, Side, Outer R.H.
16	73900400	Nut, Hex Flange 1/4-20 UNC
18	72040410	Bolt, Carriage 1/4-20 x 1-1/4 Gr. 5

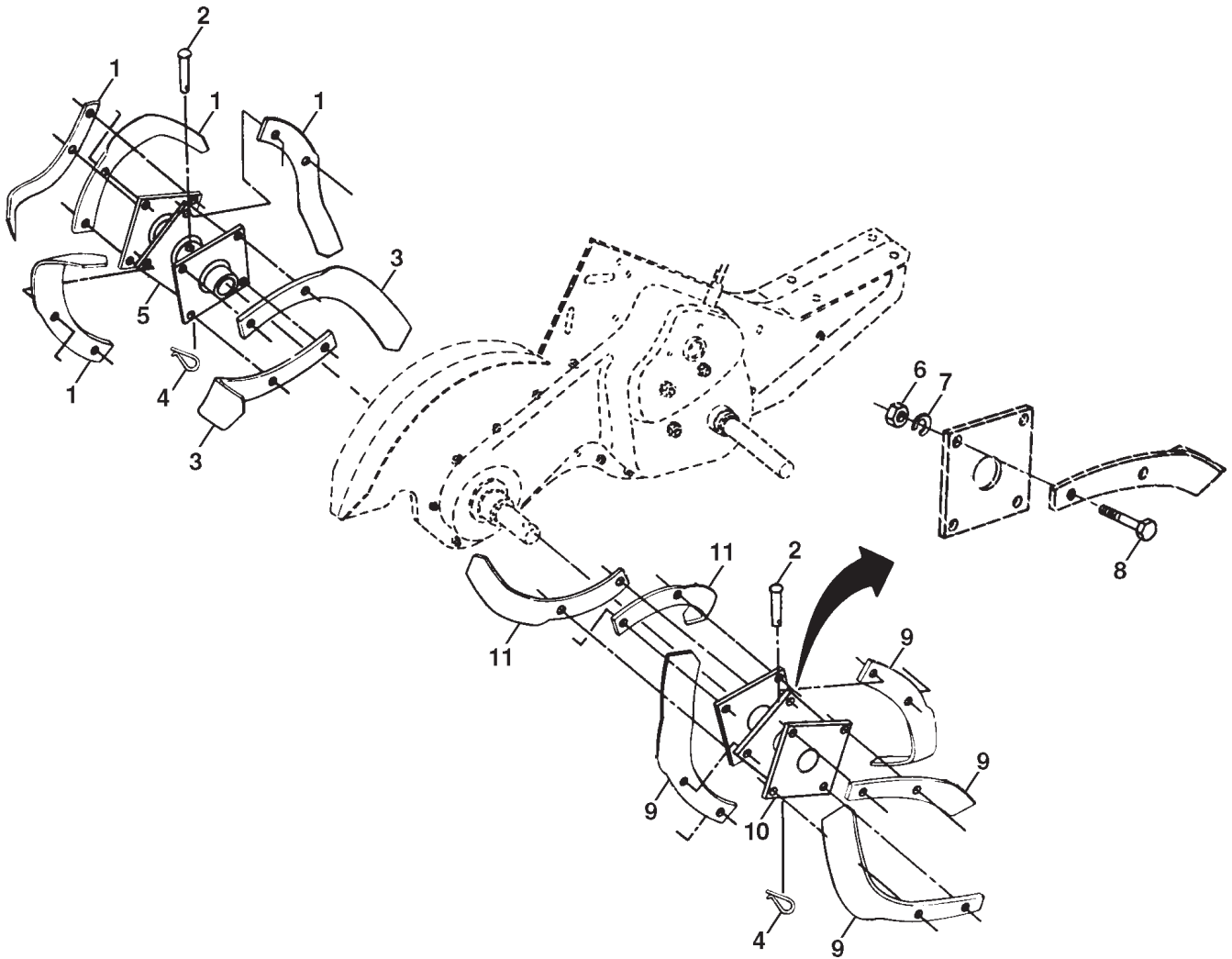
KEY NO.	PART NO.	DESCRIPTION
19	102701X	Grip
20	73220600	Nut, Hex 3/8-16
21	102156X	Stake, Depth
22	74930632	Bolt, Hex 3/8-16 x 2
23	4440J	Hinge
24	72140404	Bolt, Carriage 1/4-20 x 1/2 Gr. 5
25	6712J	Cap, Vinyl
26	109227X	Pad, Idler
27	102695X505	Shield, Leveling
28	120588X	Pin, Hinge
29	104085X505	Shield, Side
32	73220400	Nut Fin Hex 1/4-20 UNC
33	10040400	Washer Lock Hvy Helical 1/4

**NOTE:** All component dimensions given in U.S. inches.  
1 inch = 25.4 mm

# REPAIR PARTS

## TILLER - - MODEL NUMBER RYX820J

### TINE ASSEMBLY



KEY NO.	PART NO.	DESCRIPTION
1	4459J	Tine, Outer, L.H.
2	132673	Clevis Pin
3	6554J	Tine, Inner, L.H.
4	3146R	Clip, Hairpin
5	132727	Assembly, Hub and Plate, L.H.
6	73610600	Nut, Hex 3/8-24
7	10040600	Washer, Lock 3/8

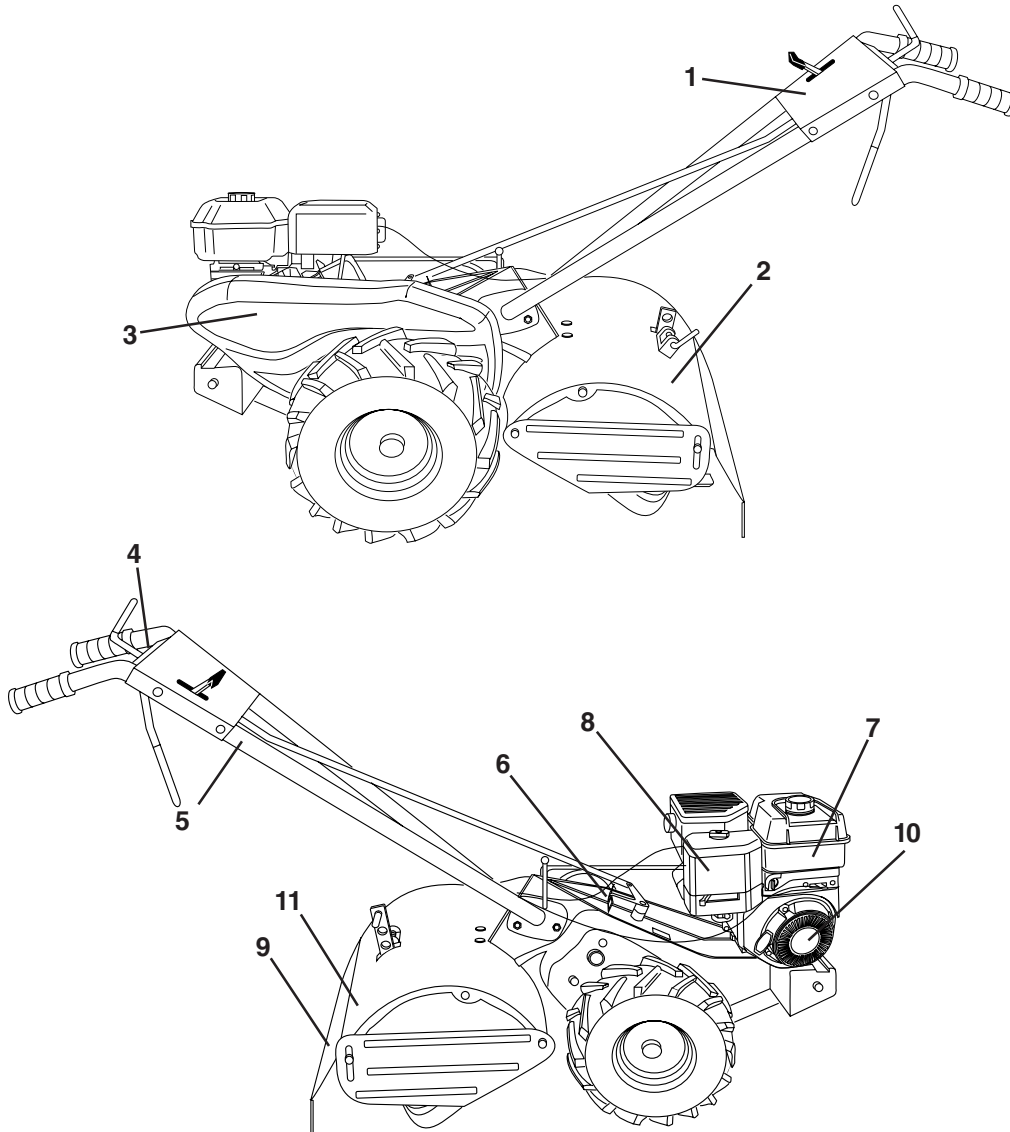
KEY NO.	PART NO.	DESCRIPTION
8	74610616	Bolt, Hex 3/8-24 x 1
9	4460J	Tine, Outer, R.H.
10	132728	Assembly, Hub and Plate, R.H.
11	6555J	Tine, Inner, R.H.

**NOTE:** All component dimensions given in U.S. inches.  
1 inch = 25.4 mm

# REPAIR PARTS

## TILLER - - MODEL NUMBER RYX820J

### DECALS



KEY NO.	PART NO.	DESCRIPTION
1	128221	Decal, Logo
2	127210X	Decal, Description
3	167379	Decal, Logo
4	110678X	Decal, Instruction, Tilling
5	159877	Decal, Hand Placement
6	102180X	Decal, Shift Indicator
7	171077	Decal, OHV N-I/C 190CELBL
8	175643	Decal, Briggs & Stratton
9	176557	Decal, Warning 4. Sym
10	171078	Decal, Rewind INTEK
11	145437	Decal, CE
--	<b>181319</b>	Manual, Operator's (Euro)
--	<b>181320</b>	Manual, Operator's (Scand)
--	<b>181321</b>	Manual, Repair Parts



## LIMITED WARRANTY

The Manufacturer warrants to the original consumer purchaser that this product as manufactured is free from defects in materials and workmanship. For a period of one (1) year from date of purchase by the original consumer purchaser, we will repair or replace, at our option, without charge for parts or labor incurred in replacing parts, any part which we find to be defective due to materials or workmanship. This Warranty is subject to the following limitations and exclusions.

1. This warranty does not apply to the engine or components parts thereof. Please refer to the applicable manufacturer's warranty on these items.
2. Transportation charges for the movement of any power equipment unit or attachment are the responsibility of the purchaser. Transportation charges for any parts submitted for replacement under this warranty must be paid by the purchaser unless such return is requested by your dealer.
3. The Warranty period for any products used for rental or commercial purposes is limited to 90 days from the date of original purchase.
4. This Warranty applies only to products which have been properly assembled, adjusted, operated, and maintained in accordance with the instructions furnished. This Warranty does not apply to any product which has been subjected to alteration, misuse, abuse, improper assembly or installation, delivery damage, or to normal wear of the product.
5. Exclusions: Excluded from this Warranty are belts, tines, tine adapters, normal wear, normal adjustments, standard hardware and normal maintenance.
6. In case of any problem within the boundaries of this warranty, contact the nearest department store, indicate the model number, serial number and the date of purchase of your machine. This warranty does not apply to accidental damages. All implicit warranties are limited to the same time frames. Or contact:

E.M. Services  
54 Rue Lambrechts  
92400 Courbevoie  
France  
Telephone: (1) 46678078  
Fax: (1) 46678095

THIS WARRANTY DOES NOT APPLY TO INCIDENTAL OR CONSEQUENTIAL DAMAGES. ANY IMPLIED WARRANTIES ARE LIMITED TO THE SAME TIME PERIODS STATED HEREIN.

**Rally**