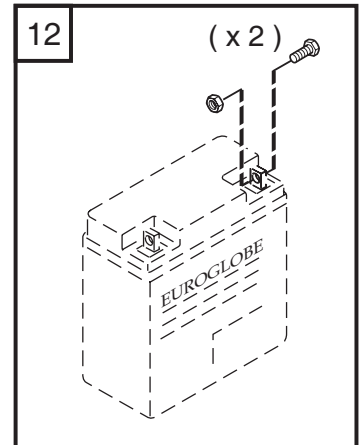
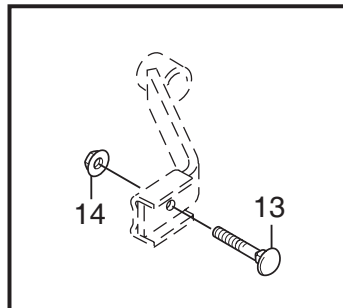
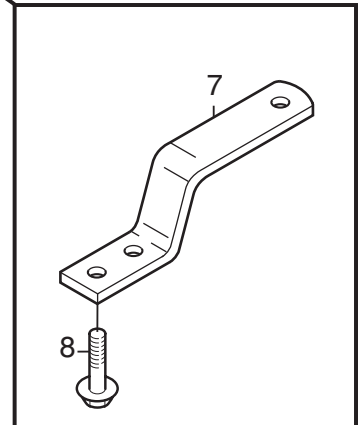
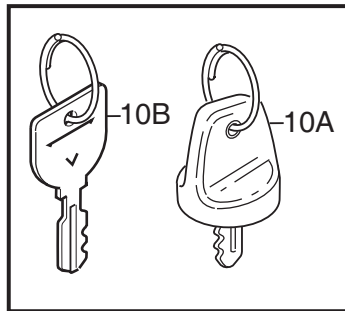
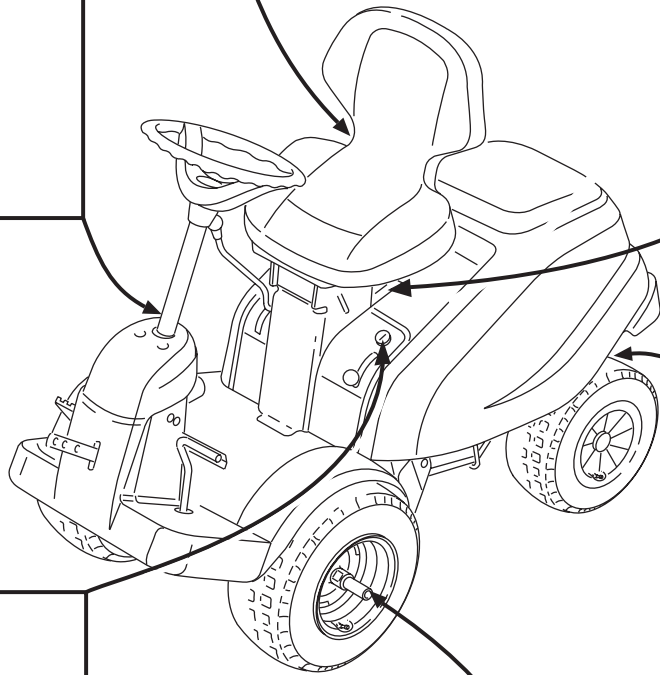
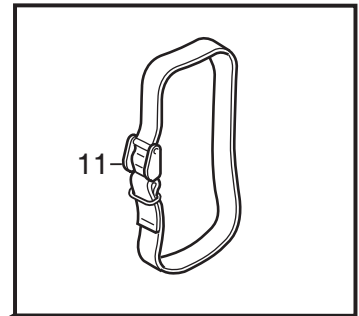
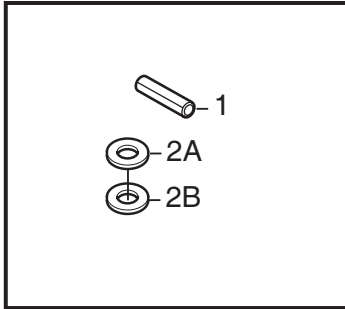
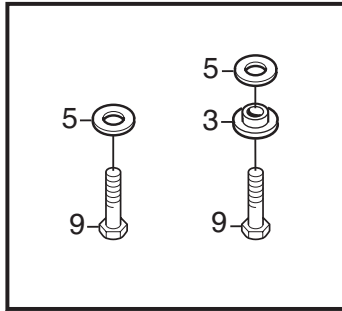
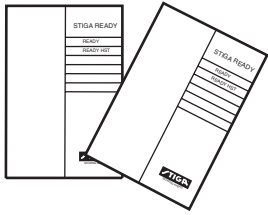


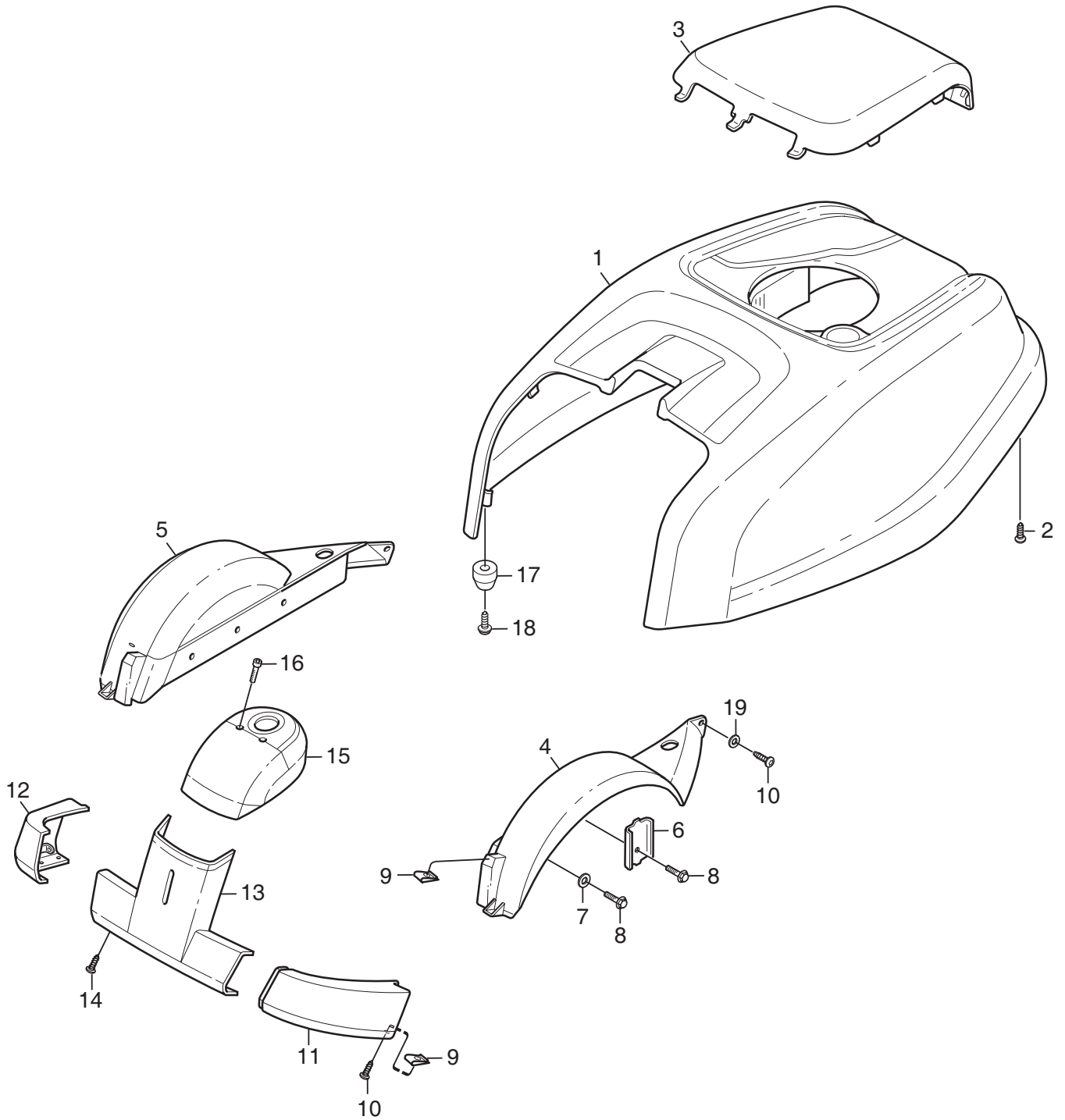
Genuine Spare Parts



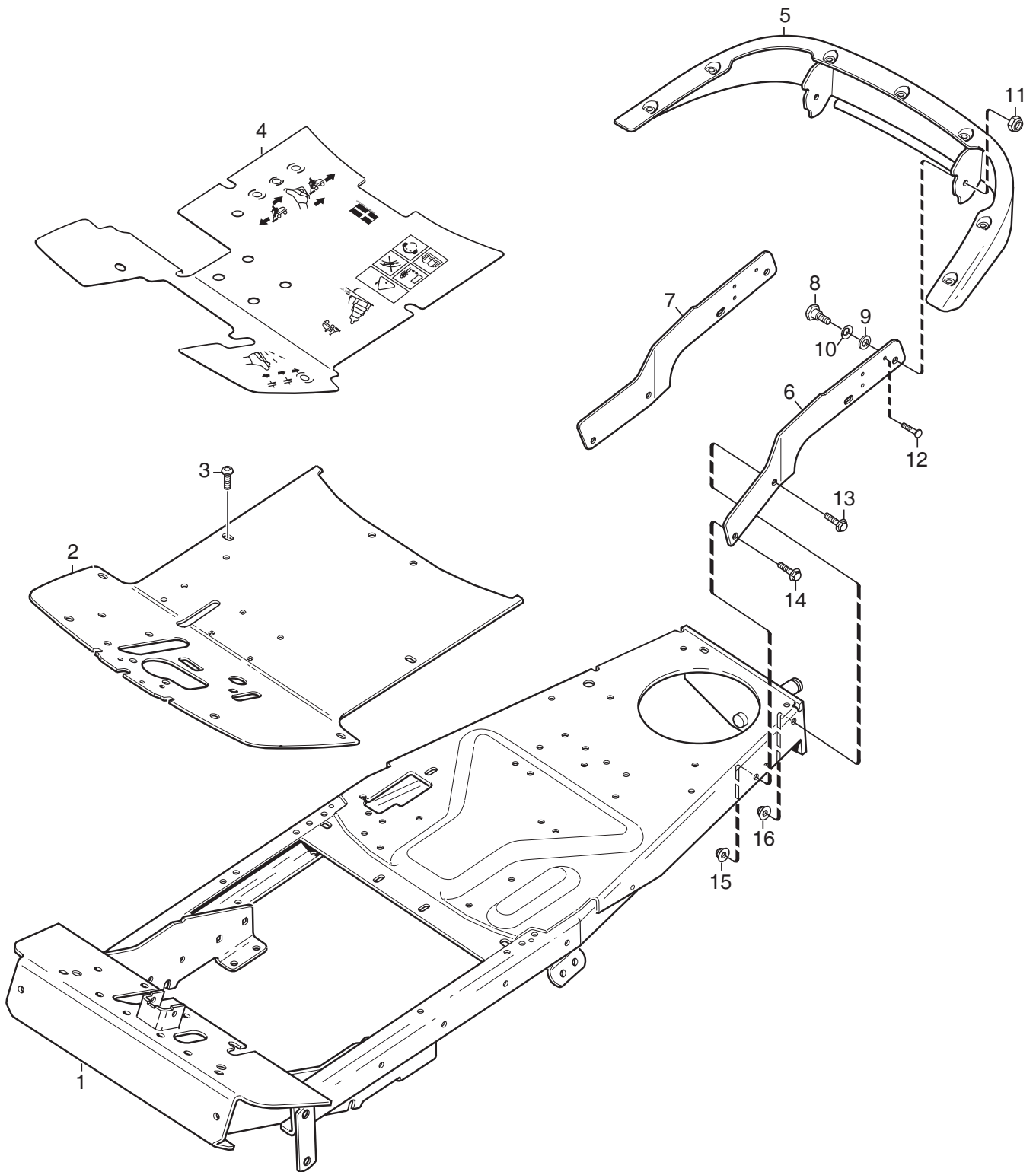
21



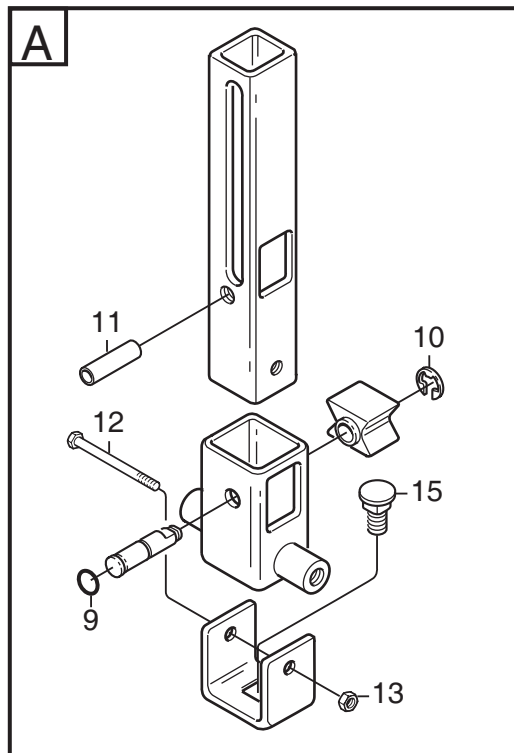
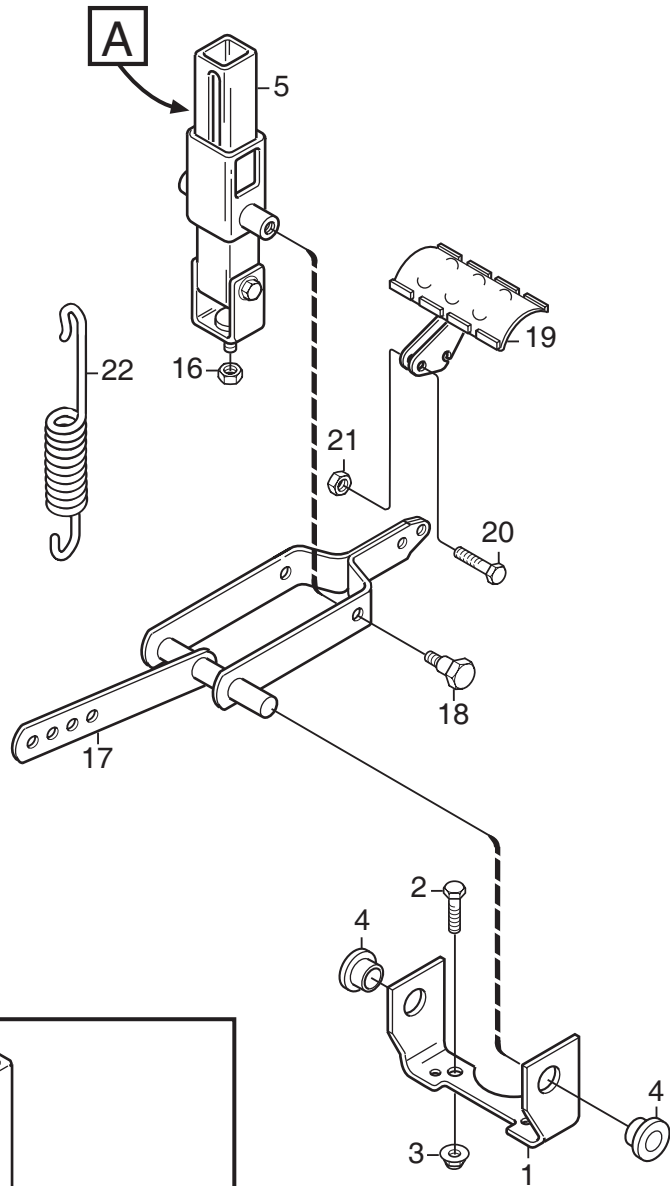
Utgåva Issue		Bildnr Picture No		READY MONTERINGSDETALJER		READY ASSEMBLY PARTS		Sida Page	
2008- 11		1637C						242	
Pos. Fig.	Antal/Quantity				Art nr Part No	Benämning	Description	Sats Kit	Anmärkning Notes
	2715	2716							
1	1				9595-0262-00	Spännstift	Locating pin		
2A	1				9699-0103-02	Shims	Flat washer		0.5 mm
2B	1				9699-0114-02	Shims	Flat washer		1.0 mm
3	2				1134-4185-01	Ansatsbricka	Flange washer		
5	4				9699-0056-02	Planbricka	Flat washer		
7	1				1134-4627-01	Dragögla	Tow bar		
8	2				9959-0820-16	Skruv	Screw		
9	4				9997-0820-16	Skruv	Screw		
10A	1				1134-4734-01	Tändningsnyckel	Ignition key		
10B	1				1134-6125-01	Tändningsnyckel	Ignition key		
11	1				1134-5245-01	Batterirem	Battery strap		
12	1				1134-6113-01	Batteriskruvar	Battery screws		
13	2				9898-1035-16	Skruv	Screw		
14	2				9739-1031-22	Mutter	Nut		
X	21	1			8211-0034-80	Bruksanvisning	Owner's manual		
X	21	1			8211-0612-80	Monteringsanvisning	Assy instructions		
X	21	1			8211-0701-80	Säkerhetsföreskrifter	Safety regulations		
X	21	1			8211-0950-80	Garantikort	Warranty card		



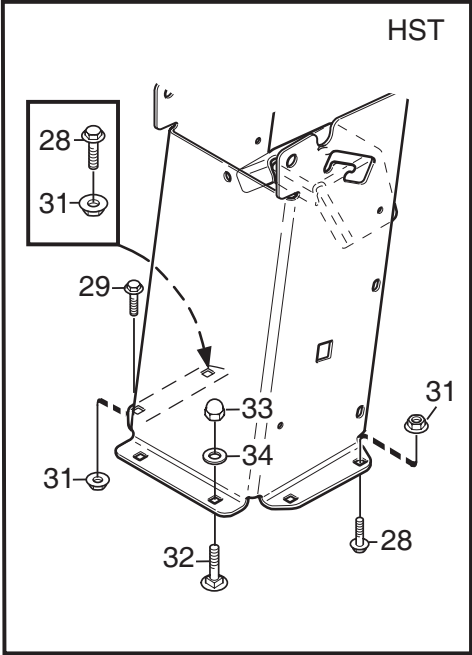
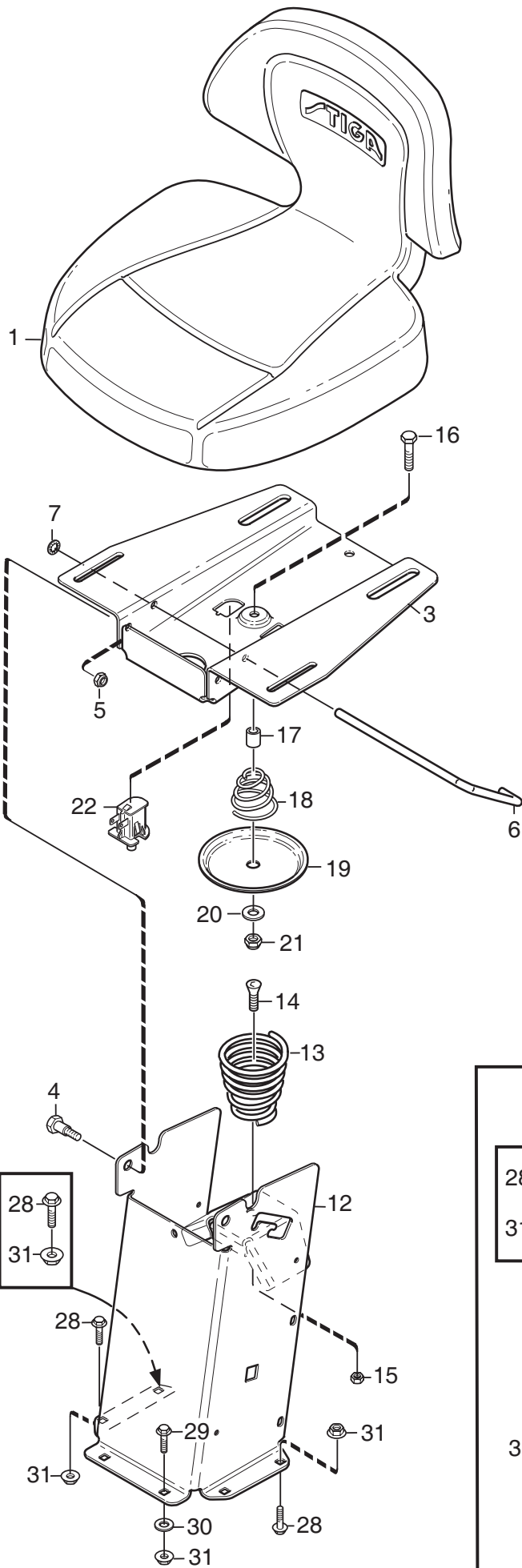
Utgåva Issue		Bildnr Picture No		READY KAROSS		READY BODY WORK		Sida Page	
2008- 11		1641A						244	
Pos. Fig.	Antal/Quantity			Art nr Part No	Benämning	Description	Sats Kit	Anmärkning Notes	
	2715	2716							
1	1	1		1134-5283-01	Motorhuv- grå.....	Engine hood- grey			
2	7	7		9838-9530-12	Skruv	Screw			
3	1	1		1134-5284-01	Motorlucka- gul	Engine cover- yellow			
4	1	1		1134-5307-01	Stänkskärm- vä, grå	Mud guard- LH, grey			
5	1	1		1134-5307-02	Stänkskärm- hö, grå	Mud guard- RH, grey.....			
6	2	2		1134-0225-00	Stödplåt	Support plate			
7	4	4		9699-0056-02	Planbricka.....	Flat washer.....			
8	6	6		9945-0816-16	Skruv	Screw			
9	4	4		1134-4176-01	Clips	Clips			
10	4	4		9893-0616-16	Skruv	Screw.....			
11	1	1		1134-5306-01	Stötfångare, front- vä.....	Bumper, front- LH			
12	1	1		1134-5306-02	Stötfångare, front- hö	Bumper, front- RH			
13	1	1		1134-5305-01	Front- nedre	Front plate- lower			
14	6	6		9893-0616-16	Skruv	Screw			
15	1	1		1134-5304-01	Front- övre	Front- upper			
16	2	2		9946-0525-16	Skruv	Screw.....			
17	2	2		1134-4790-02	Styrning	Hood guide			
18	2	2		9838-9530-12	Skruv	Screw			
19	2	2		9699-0060-02	Planbricka.....	Flat washer.....			
99	1			1134-5591-01	Dekalsats	Label kit			
99		1		1134-5591-02	Dekalsats	Label kit			



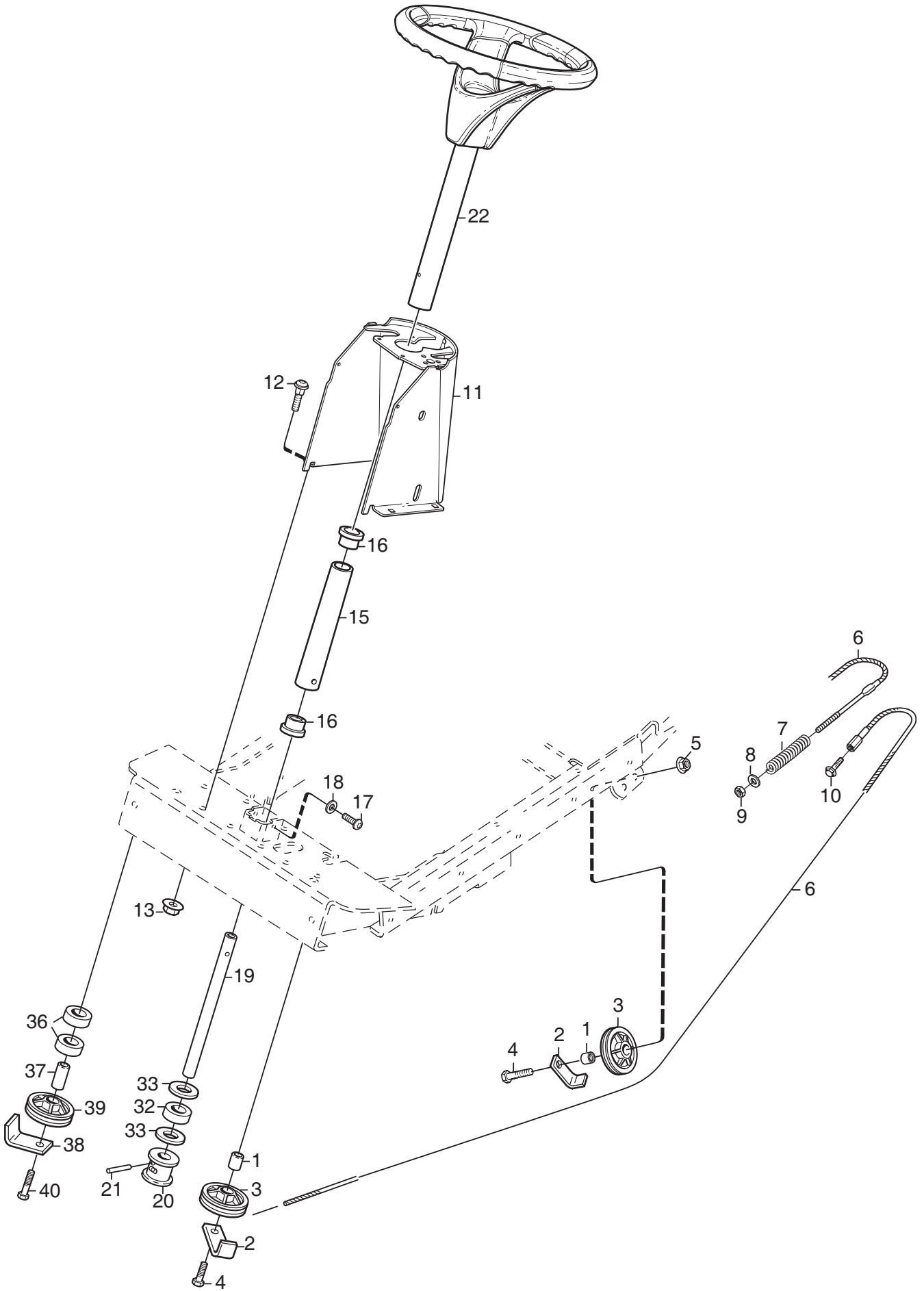
Utgåva Issue		Bildnr Picture No		READY RAM		READY FRAME		Sida Page	
2008- 11		1642A						246	
Pos. Fig.	Antal/Quantity			Art nr Part No	Benämning	Description	Sats Kit	Anmärkning Notes	
	2715	2716							
1	1	1		1134-5546-02	Ram.....	Frame.....			
2	1	1		1134-5293-01	Durk.....	Floor plate.....			
3	2	2		9893-0616-16	Skruv.....	Screw.....			
4	1			1134-5338-01	Durkmatta.....	Floor mat.....			
4		1		1134-5339-01	Durkmatta.....	Floor mat.....			
5	1	1		1134-5453-01	Stötfångare- bak.....	Bumper- rear.....			
6	1	1		1134-5334-01	Stag- vä.....	Attachment- LH.....			
7	1	1		1134-5334-02	Stag- hö.....	Attachment- RH.....			
8	2	2		1134-0240-00	Ansatsskruv.....	Shoulder screw.....			
9	2	2		1134-4242-01	Distansbricka.....	Spacer washer.....			
10	2	2		9694-0001-00	Fjäderbricka.....	Washer.....			
11	2	2		9747-0831-02	Mutter.....	Lock nut.....			
12	2	2		9943-0516-16	Skruv.....	Screw.....			
13	2	2		9959-0820-16	Skruv.....	Screw.....			
14	2	2		9959-0825-16	Skruv.....	Screw.....			
15	1	1		9739-0831-22	Mutter.....	Nut.....			
16	3	3		9739-0831-22	Mutter.....	Nut.....			



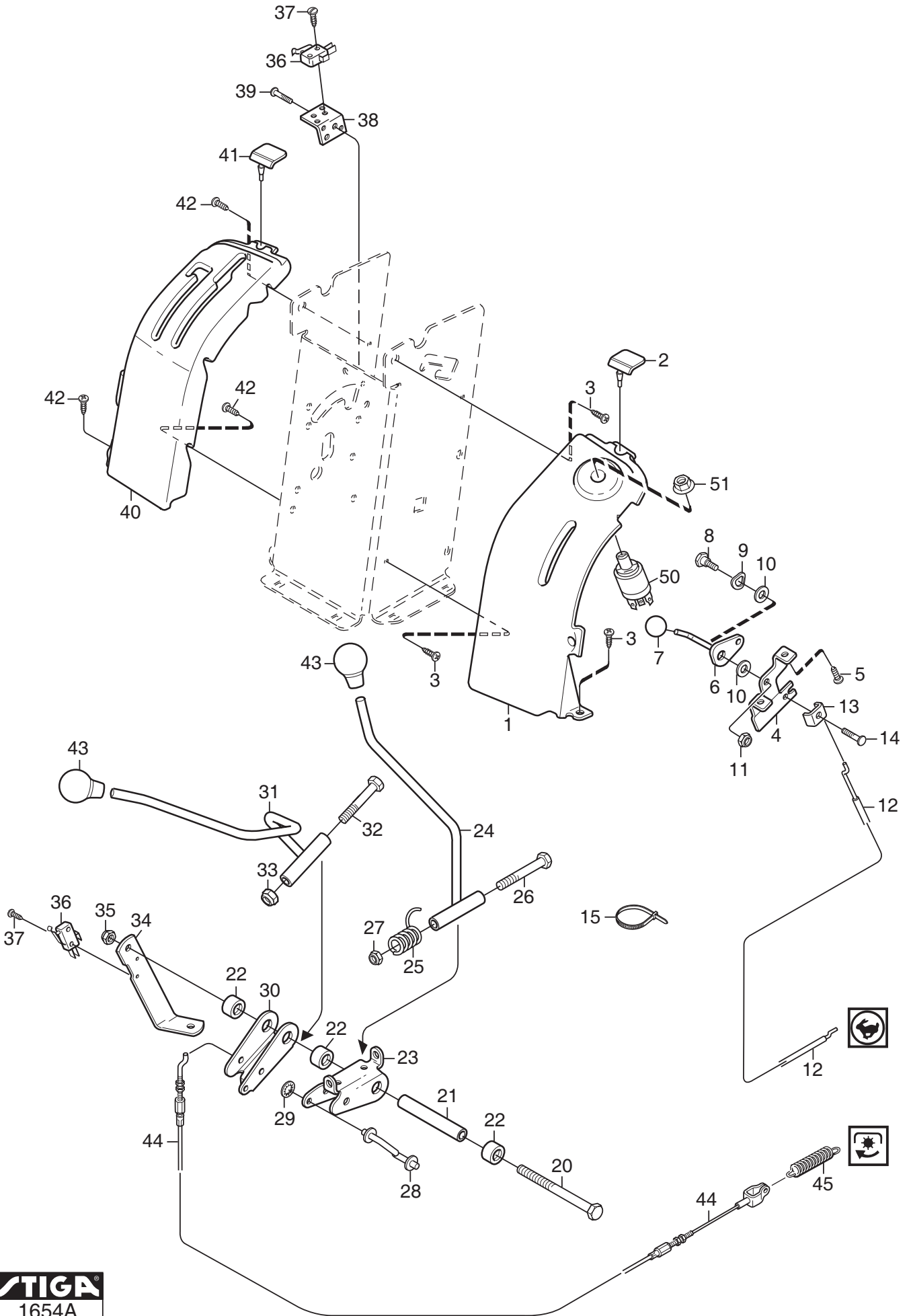
Utgåva Issue 2008- 11		Bildnr Picture No 1151C		READY REDSKAPSLYFT		READY LIFTING DEVICE		Sida Page 248	
Pos. Fig.	Antal/Quantity				Art nr Part No	Benämning	Description	Sats Kit	Anmärkning Notes
	2715								
1	1				1134-4117-01	Fäste	Bracket		
2	2				9959-1025-16	Skruv	Screw		
3	2				9739-1031-22	Mutter	Nut		
4	2				1134-2684-01	Lager	Bearing		
5	1				1134-4945-01	Lyftspärr kpl	Lift catch assy		
9	1				9404-0027-01	• O-ring	• O-ring		
10	1				9650-0039-04	• Seegersäkring	• Lock ring		
11	1				9595-0276-01	• Spännstift	• Locating pin		
12	1				9997-0640-12	• Skruv	• Screw		
13	1				9747-0631-02	• Låsmutter	• Lock nut		
15	1				9897-0820-16	• Skruv	• Screw		
16	1				9747-0831-02	Mutter	Lock nut		
17	1				1134-4860-01	Lyftgaffel	Lift fork		
18	2				1134-0240-00	Ansätsskruv	Shoulder screw		
19	1				1134-4938-01	Lyftpedal	Lift pedal		
20	2				9997-0625-16	Skruv	Screw		
21	2				9739-0631-22	Mutter	Nut		
22	1				4231-0013-00	Fjäder	Spring		



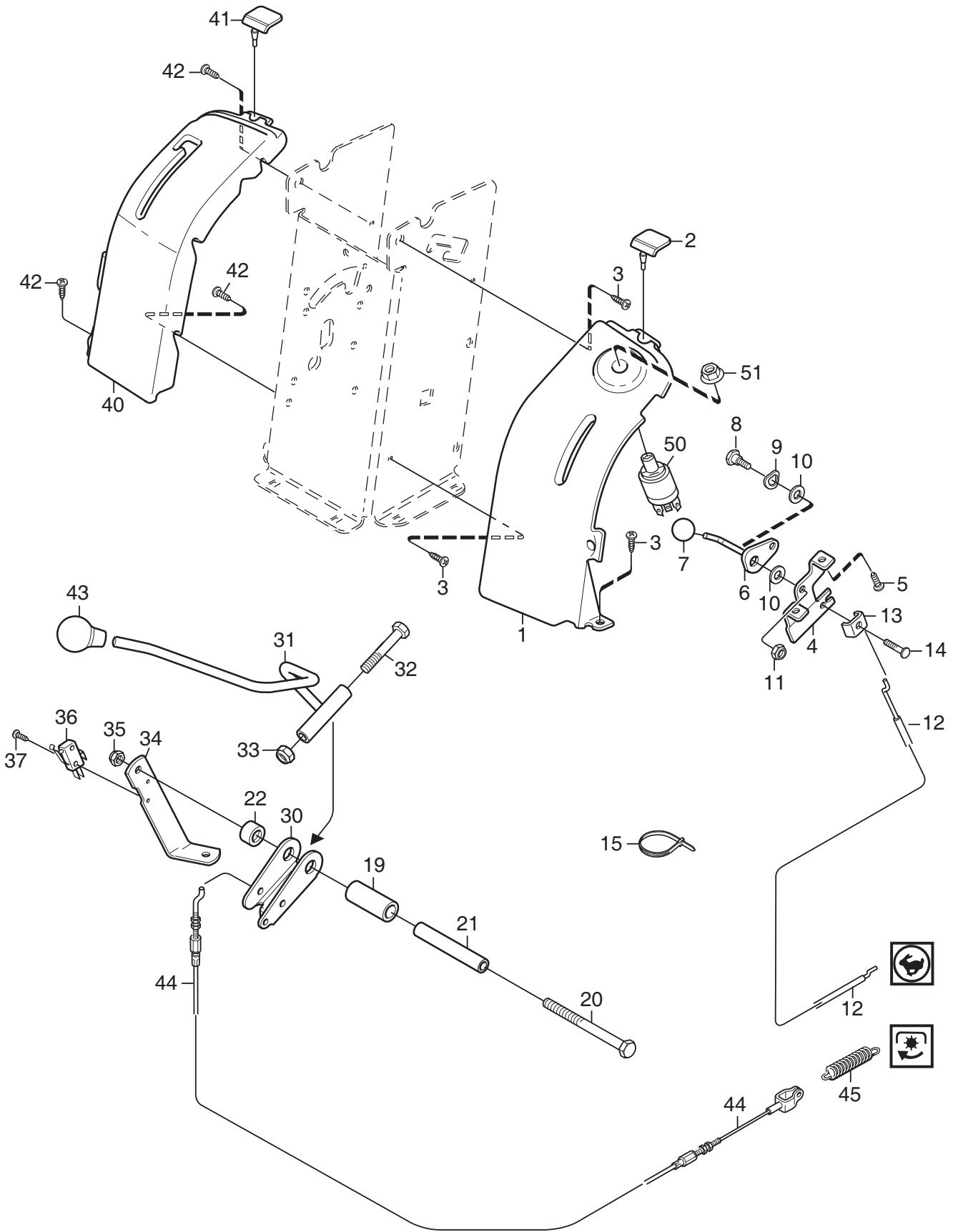
Utgåva Issue		Bildnr Picture No		READY SITS		READY SEAT		Sida Page	
2008- 11		1652						250	
Pos. Fig.	Antal/Quantity				Art nr Part No	Benämning	Description	Sats Kit	Anmärkning Notes
	2715	2716							
1	1	1			1134-5506-01	Sits	Seat		
3	1	1			1134-5301-01	Sitsplatta	Seat plate		
4	2	2			1134-0240-00	Ansattsskruv	Shoulder screw		
5	2	2			9747-0831-02	Mutter	Lock nut		
6	1	1			1134-5454-01	Spärr	Catch		
7	1	1			9675-0012-02	Starlock	Locking washer		
12	1	1			1134-5296-04	Sitskonsol- gul	Seat bracket- yellow		
13	1	1			1134-4256-01	Sitsfjäder	Seat spring		
14	1	1			9924-1235-19	Skruv	Screw		
15	1	1			9747-1231-02	Låsmutter	Lock nut		
16	1	1			9997-0840-16	Skruv	Screw		
17	1	1			1134-1565-06	Distans	Spacer		
18	1	1			1134-5302-01	Fjäder	Spring		
19	1	1			1134-5299-01	Tryckplatta	Push plate		
20	1	1			9699-0090-02	Planbricka	Flat washer		
21	1	1			9747-0831-02	Mutter	Lock nut		
22	1	1			1134-3156-02	Brytare (grå)	Switch (grey)		
28	4	3			9959-0820-16	Skruv	Screw		L = 20 mm
29	2	1			9959-0825-16	Skruv	Screw		L = 25 mm
30	2				9699-0056-02	Planbricka	Flat washer		
31	6	4			9739-0831-22	Mutter	Nut		
32		2			9897-0820-16	Skruv	Screw		
33		2			9757-0821-02	Hattmutter	Cap nut		
34		2			9699-0090-02	Planbricka	Flat washer		



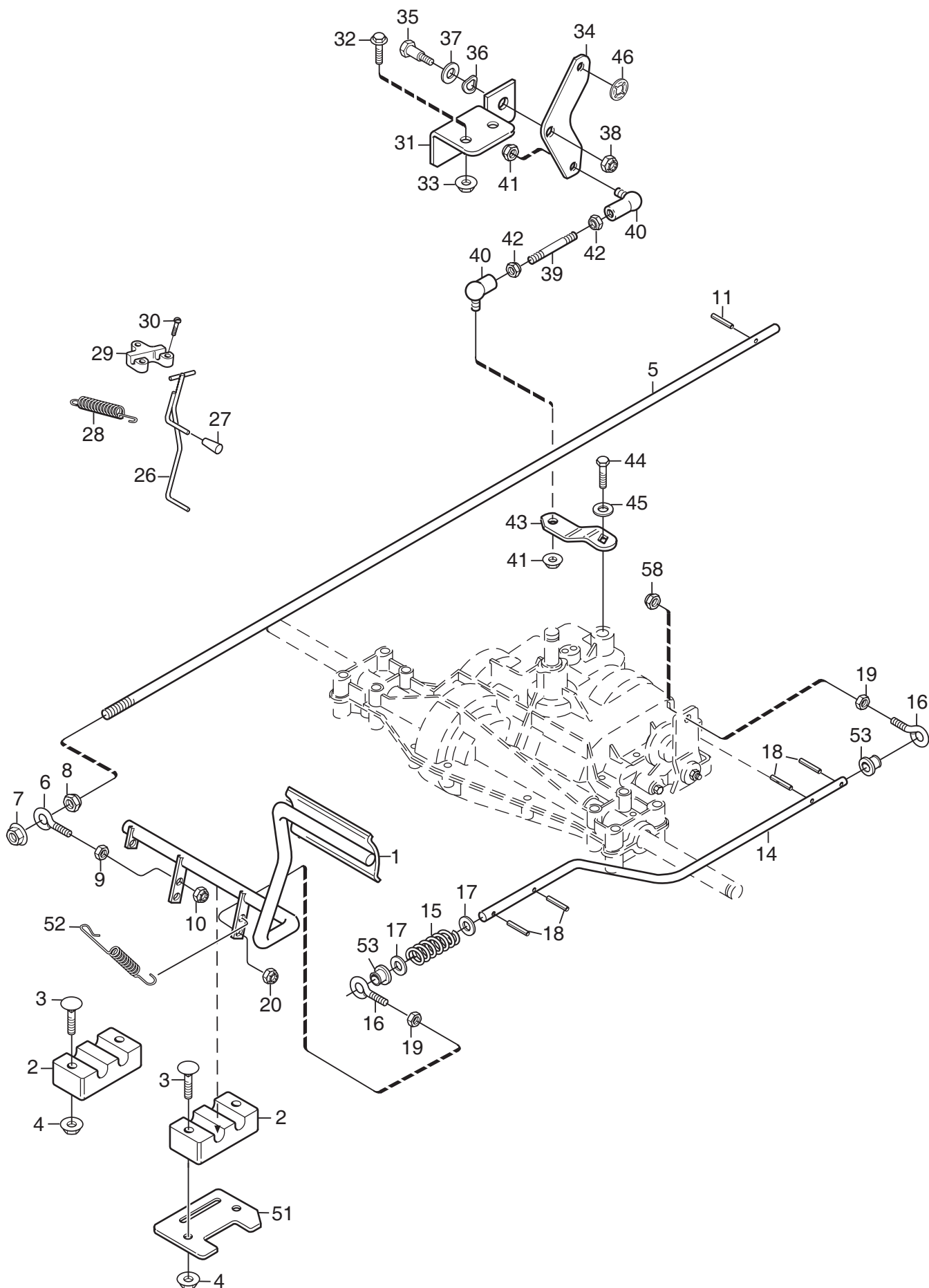
Utgåva Issue		Bildnr Picture No		READY STYRNING		READY STEERING		Sida Page	
2008- 11		1653						252	
Pos. Fig.	Antal/Quantity				Art nr Part No	Benämning	Description	Sats Kit	Anmärkning Notes
	2715								
X	1	3			1134-0041-01	Linhjulshylsa	Bushing.....		
	2	3			1134-0046-00	Linhållare.....	Wire clamp.....		
	3	1			1134-9025-01	Linhjul- sats	Steering pulley- kit		Sats 2 st/kit of 2
	4	3			9997-1040-16	Skruv.....	Screw.....		
	5	2			9739-1031-22	Mutter.....	Nut		
	6	1			1134-2032-04	Styrwire.....	Steering cable		
	7	1			1134-1310-01	Tryckfjäder.....	Compression spring.....		
	8	1			9699-0056-02	Planbricka.....	Flat washer.....		
	9	1			9747-0831-02	Mutter.....	Lock nut.....		
	10	1			9959-0820-16	Skruv.....	Screw.....		
	11	1			1134-5349-03	Styrkonsol- grå	Steering console- grey		
	12	4			9897-0820-16	Skruv.....	Screw.....		
	13	4			9739-0831-22	Mutter.....	Nut		
	15	1			1134-1305-05	Rattrör- nedre	Steering column- lower		
	16	2			1134-1901-01	Lager	Bearing.....		
	17	2			9893-0616-16	Skruv.....	Screw.....		
	18	2			9699-0060-02	Planbricka.....	Flat washer.....		
	19	1			1134-5495-01	Rattstång	Steering rod		
	20	1			1134-1933-01	Styrrulle.....	Steering pulley		
	21	1			9595-0262-00	Spännstift	Locating pin		
	22	1			1134-5496-01	Ratt.....	Steering wheel		
	32	1			1134-3047-01	Distans	Spacer		
	33	2			9699-0104-02	Bricka	Washer.....		
	36	2			1134-3047-01	Distans	Spacer.....		
	37	1			1134-0041-05	Hylsa	Bushing.....		
X	38	1			1134-0046-00	Linhållare.....	Wire clamp.....		
	39	1			1134-9025-01	Linhjul- sats	Steering pulley- kit		Sats 2 st/kit of 2
	40	1			9997-1060-12	Skruv.....	Screw.....		



Utgåva Issue 2008- 11		Bildnr Picture No 1654A		READY HANDREGLAGE		READY HAND CONTROLS		Sida Page 254	
Pos. Fig.	Antal/Quantity				Art nr Part No	Benämning	Description	Sats Kit	Anmärkning Notes
	2715								
1	1				1134-5286-01	Reglagepanel- vä	Control panel- LH		
2	2				1134-5531-01	Dämpare	Absorber		
3	3				9893-0616-16	Skruv	Screw		
4	1				1134-5357-01	Fäste	Bracket		
5	2				9838-9516-12	Skruv	Screw		
6	1				1134-4077-01	Gasreglage	Throttle control		
7	1				1134-4078-01	Knopp	Knob		
8	1				1134-0240-00	Ansatssskruv	Shoulder screw		
9	1				9694-0001-00	Fjäderbricka	Washer		
10	2				1134-4242-01	Distansbricka	Spacer washer		
11	1				9747-0831-02	Mutter	Lock nut		
12	1				1134-1597-13	Gaswire	Throttle cable		
13	1				9500-9991-00	Wireklämma	Cable clamp		
14	1				9943-0516-16	Skruv	Screw		
15	1				9579-0003-00	Buntband	Cable holder		
20	1				9997-0812-02	Skruv	Screw		
21	1				1134-5274-02	Distans	Spacer		
22	3				1134-3047-01	Distans	Spacer		
23	1				1134-5271-01	Reglagefäste	Control bracket		
24	1				1134-5275-01	Växelspak	Gear shift lever		
25	1				1134-5535-01	Fjäder	Spring		
26	1				9997-0890-12	Skruv	Screw		
27	1				9747-0831-02	Mutter	Lock nut		
28	1				1134-5268-01	Stag	Shifter rod		
29	1				9675-0009-02	Starlock	Starlock		
30	1				1134-5271-01	Reglagefäste	Control bracket		
31	1				1134-5276-01	Reglagespak	Control lever		
32	1				9997-0890-12	Skruv	Screw		
33	1				9747-0831-02	Mutter	Lock nut		
34	1				1134-5356-01	Stag	Strut		
35	1				9747-0831-02	Mutter	Lock nut		
36	2				9400-0312-01	Mikrobrytare	Micro switch		
37	4				9840-7716-16	Skruv	Screw		
38	1				1134-5358-01	Brytarfäste	Switch bracket		
39	2				9943-0516-16	Skruv	Screw		
40	1				1134-5285-01	Reglagepanel- hö	Control panel- RH		
41	2				1134-5531-01	Dämpare	Absorber		
42	4				9893-0616-16	Skruv	Screw		
43	2				1134-2551-01	Reglageknopp	Knob		
44	1				1134-3573-06	Kraftttagwire	PTO cable		
45	1				1134-1242-02	Fjäder	Spring		
50	1				1134-4093-01	Tändningslås	Ignition switch		
51	1				1134-4749-01	Mutter	Nut		

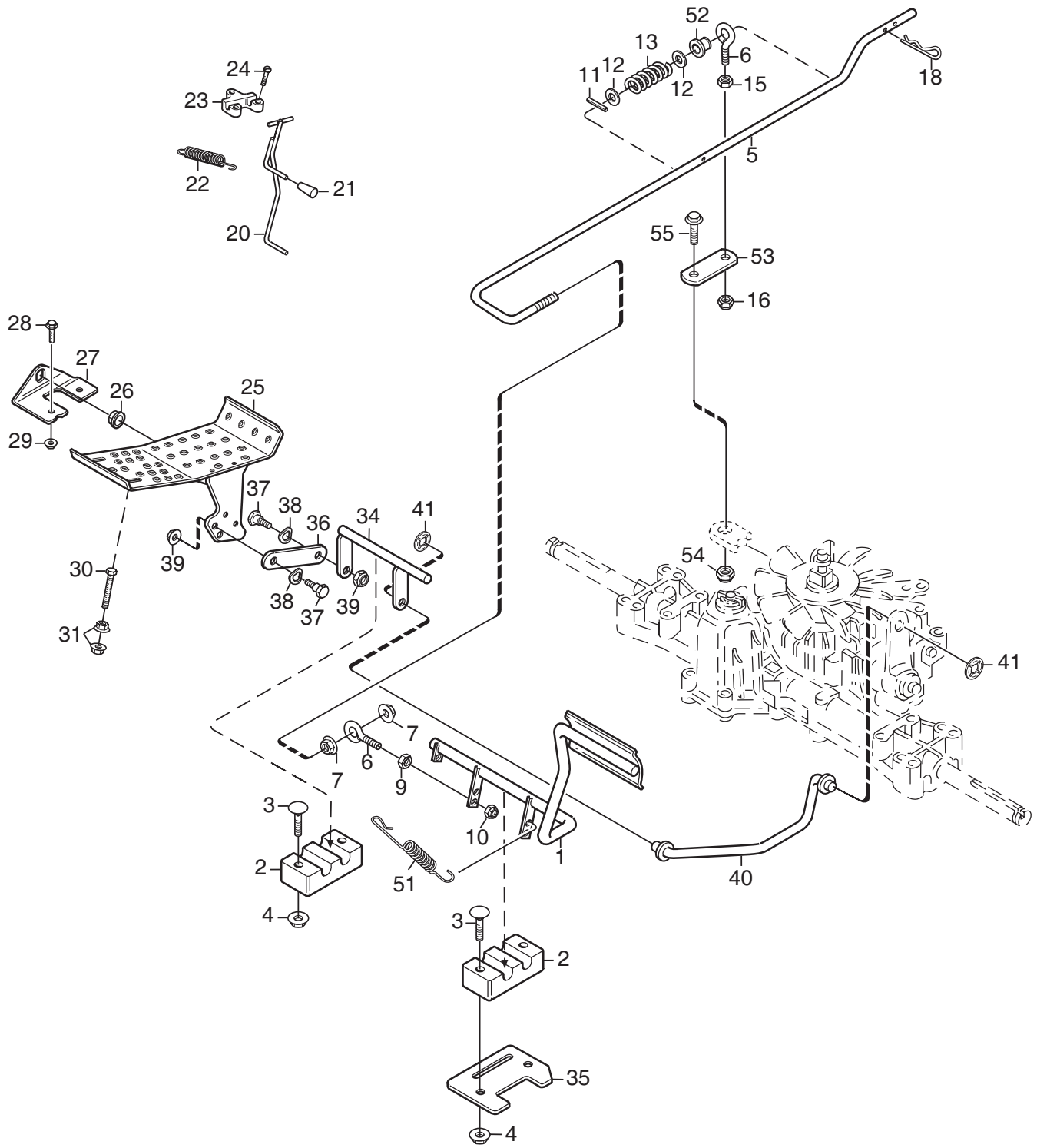


Utgåva Issue		Bildnr Picture No		READY AMBIANCE HST HANDREGLAGE	READY AMBIANCE HST HAND CONTROLS	Sida Page			
2008- 11		1655A				256			
Pos. Fig.	Antal/Quantity				Art nr Part No	Benämning	Description	Sats Kit	Anmärkning Notes
	2716								
1	1			1134-5286-01	Reglagepanel- vä	Control panel- LH			
2	2			1134-5531-01	Dämpare	Absorber			
3	3			9893-0616-16	Skruv	Screw			
4	1			1134-5357-01	Fäste	Bracket			
5	2			9838-9516-12	Skruv	Screw			
6	1			1134-4077-01	Gasreglage	Throttle control			
7	1			1134-4078-01	Knopp	Knob			
8	1			1134-0240-00	Ansatssskruv	Shoulder screw			
9	1			9694-0001-00	Fjäderbricka	Washer			
10	2			1134-4242-01	Distansbricka	Spacer washer			
11	1			9747-0831-02	Mutter	Lock nut			
12	1			1134-1597-13	Gaswire	Throttle cable			
13	1			9500-9991-00	Wireklämma	Cable clamp			
14	1			9943-0516-16	Skruv	Screw			
15	1			9579-0003-00	Buntband	Cable holder			
19	1			1134-5508-01	Reglagehylsa	Control sleeve			
20	1			9997-0812-02	Skruv	Screw			
21	1			1134-5274-02	Distans	Spacer			
22	1			1134-3047-01	Distans	Spacer			
30	1			1134-5271-01	Reglagefäste	Control bracket			
31	1			1134-5276-01	Reglagespak	Control lever			
32	1			9997-0890-12	Skruv	Screw			
33	1			9747-0831-02	Mutter	Lock nut			
34	1			1134-5356-01	Stag	Strut			
35	1			9747-0831-02	Mutter	Lock nut			
36	1			9400-0312-01	Mikrobrytare	Micro switch			
37	2			9840-7716-16	Skruv	Screw			
40	1			1134-5285-02	Reglagepanel- hö	Control panel- RH			
41	2			1134-5531-01	Dämpare	Absorber			
42	4			9893-0616-16	Skruv	Screw			
43	1			1134-2551-01	Reglageknopp	Knob			
44	1			1134-3573-06	Kraftuttagwire	PTO cable			
45	1			1134-1242-02	Fjäder	Spring			
50	1			1134-4093-01	Tändningslås	Ignition switch			
51	1			1134-4749-01	Mutter	Nut			

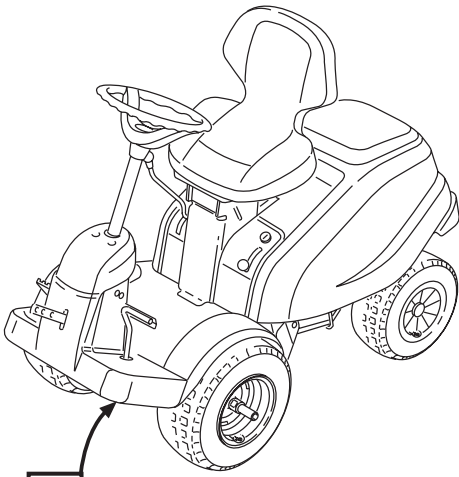


Utgåva Issue		Bildnr Picture No		READY FOTREGLAGE		READY FOOT CONTROLS		Sida Page	
2008- 11		1644B						258	
Pos. Fig.	Antal/Quantity				Art nr Part No	Benämning	Description	Sats Kit	Anmärkning Notes
	2715								
1	1			1134-4802-01	Pedal	Pedal			
2	2			1134-4624-01	Lager	Bearing			
3	4			9897-0640-12	Skruv	Screw			
4	4			9739-0631-22	Mutter	Nut			
5	1			1134-4795-01	Kopplingsstång	Clutch rod			
6	1			1134-2138-01	Skruvögla	Eye bolt			
7	1			9739-1031-22	Mutter	Nut			
8	1			9731-1031-22	Mutter	Nut			
9	1			9739-0831-22	Mutter	Nut			
10	1			9747-0831-02	Mutter	Lock nut			
11	1			9595-0208-00	Spännstift	Locating pin			
14	1			1134-4777-01	Bromsstag	Brake rod			
15	1			1134-4617-01	Fjäder	Spring			
16	2			1134-2138-01	Skruvögla	Eye bolt			
17	2			9699-0035-02	Planbricka	Flat washer			
18	4			9595-0208-00	Spännstift	Locating pin			
19	2			9739-0831-22	Mutter	Nut			
20	1			9747-0831-02	Mutter	Lock nut			
26	1			1134-5353-01	Bromsstång	Brake rod			
27	1			1134-2786-01	Plastknopp	Plastic knob			
28	1			1131-1497-01	Fjäder	Spring			
29	1			1134-4002-01	Fäste	Brake rod attachment			
30	3			9838-9516-12	Skruv	Screw			
31	1			1134-4714-01	Fästvinkel	Angle bracket			
32	2			9959-0820-16	Skruv	Screw			
33	2			9739-0831-22	Mutter	Nut			
34	1			1134-4715-01	Triangel	Triangular plate			
35	1			1134-0240-00	Ansatsskruv	Shoulder screw			
36	1			9694-0001-00	Fjäderbricka	Washer			
37	1			9699-0036-02	Planbricka	Flat washer			
38	1			9747-0831-02	Mutter	Lock nut			
39	1			1134-4717-02	Gångstång	Threaded rod			
40	2			9570-0004-00	Vinkellänk	Elbow link			
41	2			9747-0631-02	Låsmutter	Lock nut			
42	2			9739-0631-22	Mutter	Nut			
43	1			1134-5279-01	Växelarm	Shift lever			
43	1			1134-6351-01	Växelarm	Shift lever			
44	1			9987-5016-16	Skruv	Screw			
45	1			9699-0060-02	Planbricka	Flat washer			
46	1			9675-0009-02	Starlock	Starlock			
51	1			1134-4793-01	Stopplåt	Stop plate			
52	1			4231-0013-00	Fjäder	Spring			
53	2			1134-4779-01	Plastbusning	Plastic bushing			
58	1			9747-0831-02	Mutter	Lock nut			

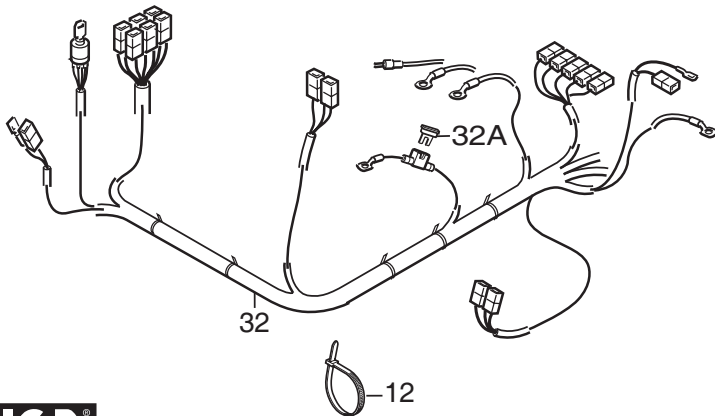
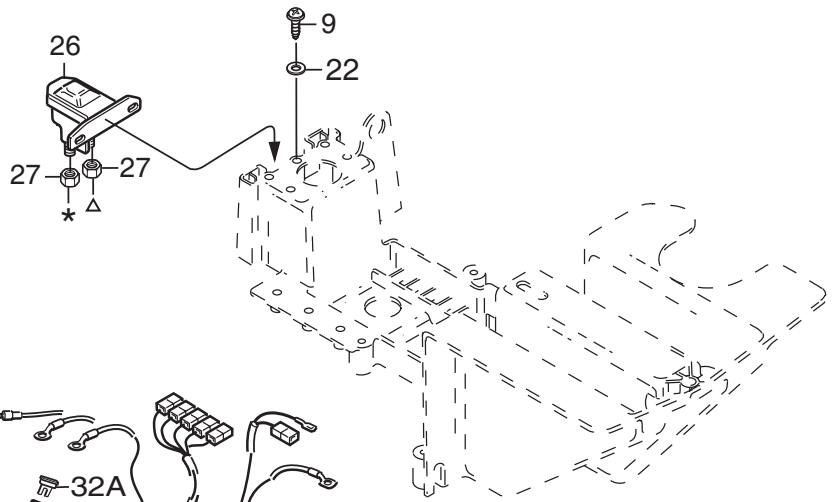
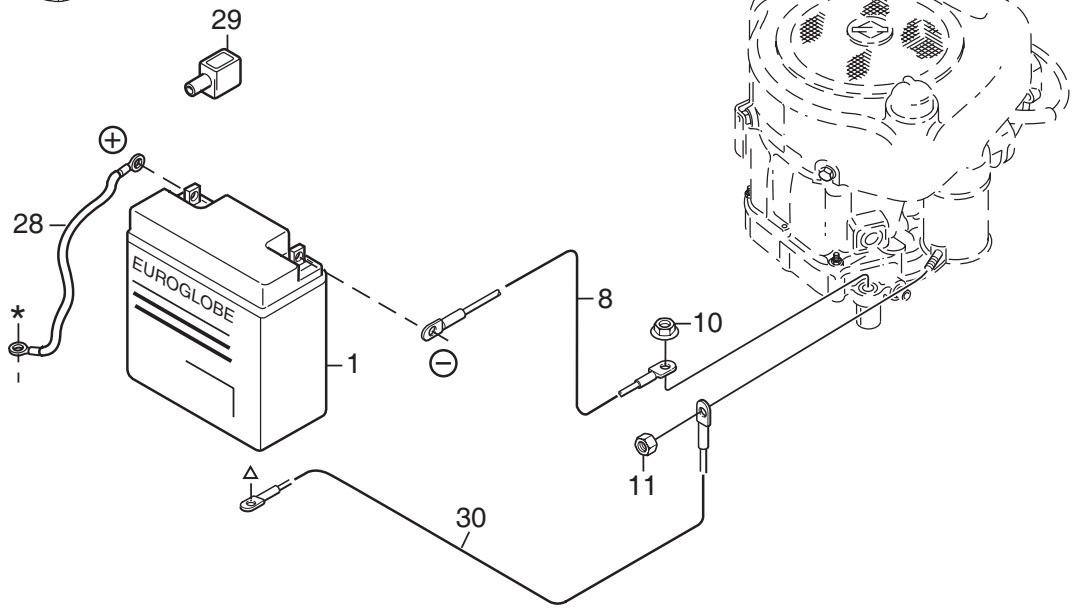
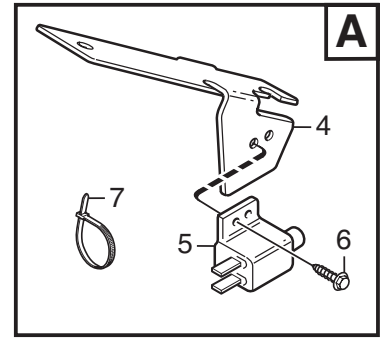
Dana 4360-197
Dana 6800-7



Utgåva Issue		Bildnr Picture No		READY AMBIANCE HST FOTREGLAGE		READY AMBIANCE HST FOOT CONTROLS		Sida Page	
2008- 11		1645B						260	
Pos. Fig.	Antal/Quantity				Art nr Part No	Benämning	Description	Sats Kit	Anmärkning Notes
	2716								
1	1			1134-4802-01	Pedal	Pedal			
2	2			1134-4624-01	Lager	Bearing.....			
3	4			9897-0640-12	Skruv	Screw.....			
4	4			9739-0631-22	Mutter.....	Nut			
5	1			1134-4949-01	Kopplingsstång.....	Clutch rod			
6	2			1134-2138-01	Skruvögla	Eye bolt			
7	2			9739-1031-22	Mutter.....	Nut			
9	1			9739-0831-22	Mutter.....	Nut			
10	1			9747-0831-02	Mutter.....	Lock nut.....			
11	1			9595-0208-00	Spännstift	Locating pin			
12	2			9699-0035-02	Planbricka.....	Flat washer.....			
13	1			1134-4617-01	Fjäder.....	Spring			
15	1			9739-0831-22	Mutter.....	Nut			
16	1			9747-0831-02	Mutter.....	Lock nut.....			
18	1			9598-0002-02	Låsnål.....	Pin lock			
20	1			1134-5353-01	Bromstång	Brake rod			
21	1			1134-2786-01	Plastknopp.....	Plastic knob			
22	1			1131-1497-01	Fjäder.....	Spring			
23	1			1134-4002-01	Fäste.....	Brake rod attachment.....			
24	3			9838-9516-12	Skruv	Screw			
25	1			1134-6353-01	Drivpedal	Drive pedal.....			
26	2			1134-6313-01	Lager	Bearing.....			
27	2			1134-2700-01	Fäste.....	Bracket.....			
28	2			9959-0820-16	Skruv	Screw.....			
29	2			9739-0831-22	Mutter.....	Nut			
30	1			9997-0870-16	Skruv	Screw.....			
31	2			9739-0831-22	Mutter.....	Nut			
34	1			1134-4440-01	Axel	Shaft			
35	1			1134-4793-01	Stopplåt.....	Stop plate.....			
36	1			1134-4441-01	Stag	Link			
37	2			1134-0240-00	Ansatsskruv.....	Shoulder screw.....			
38	2			9694-0001-00	Fjäderbricka	Washer.....			
39	2			9747-0831-02	Mutter.....	Lock nut.....			
40	1			1134-5288-01	Reglagestång.....	Control rod.....			
41	2			9675-0012-02	Starlock	Locking washer.....			
51	1			4231-0013-00	Fjäder.....	Spring			
52	1			1134-4779-01	Plastbusning.....	Plastic bushing			
53	1			1134-4972-01	Bromslänk	Brake link			
54	1			9747-0831-02	Mutter.....	Lock nut.....			
55	1			9997-0820-16	Skruv	Screw.....			

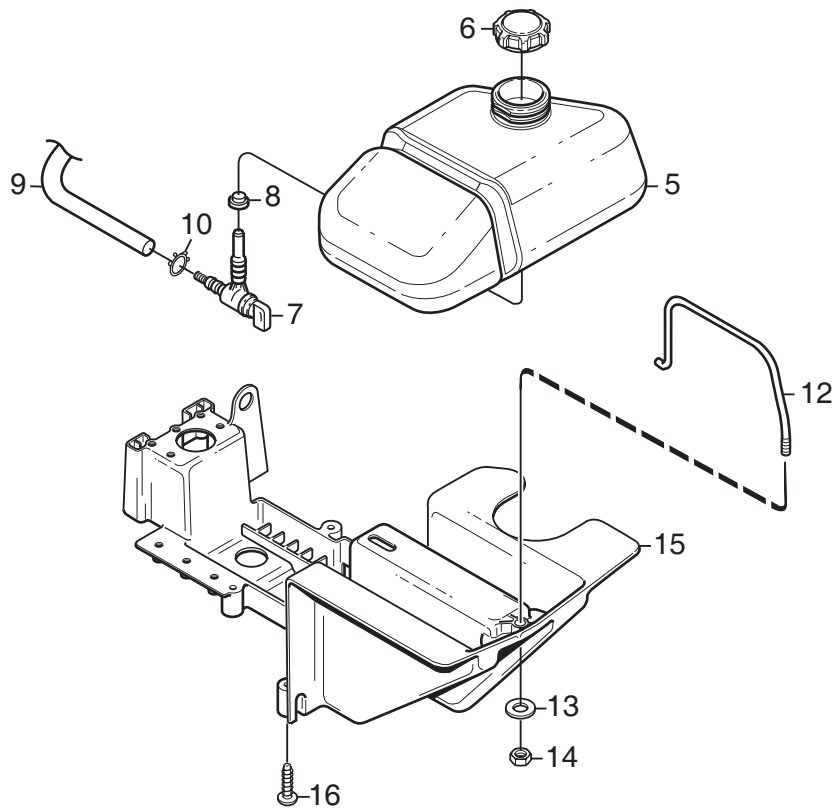
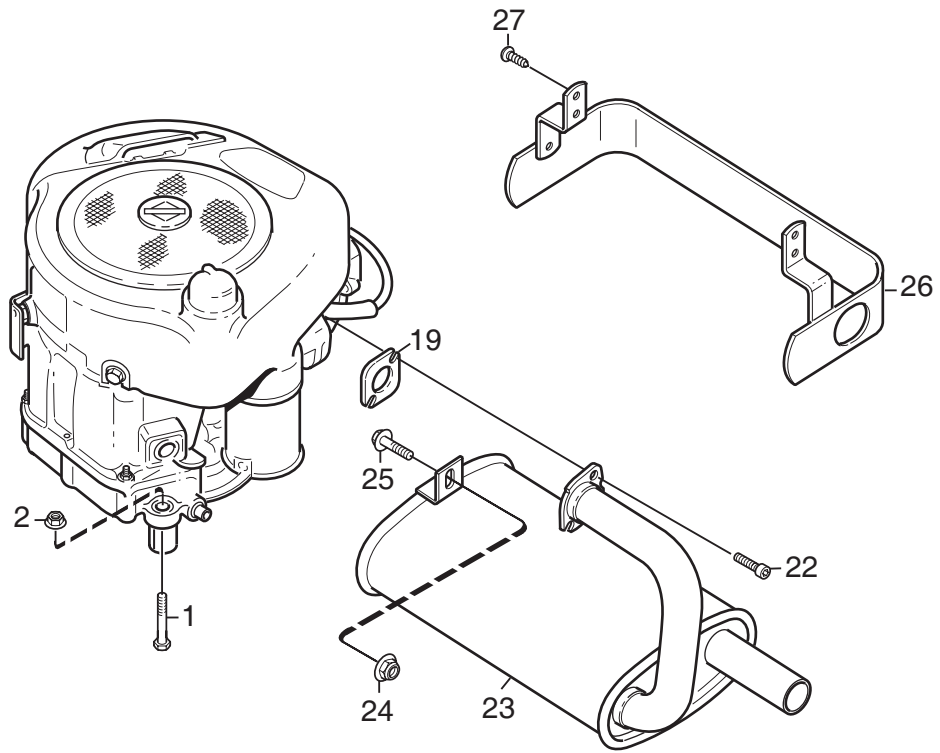


A

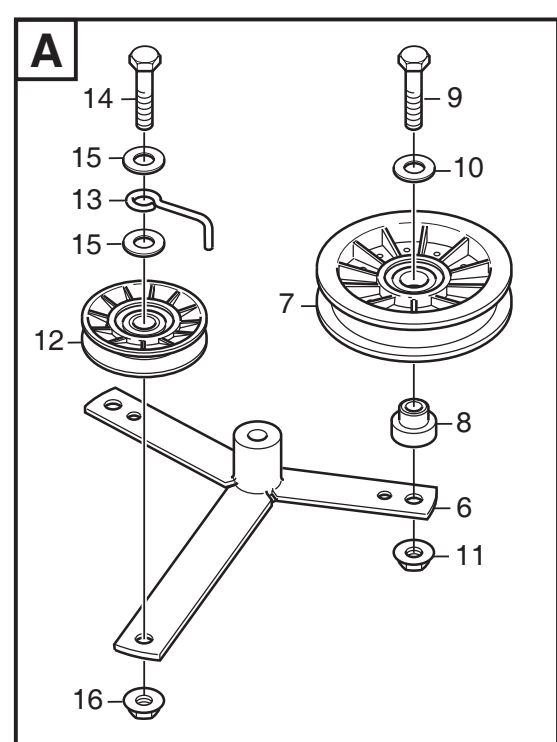
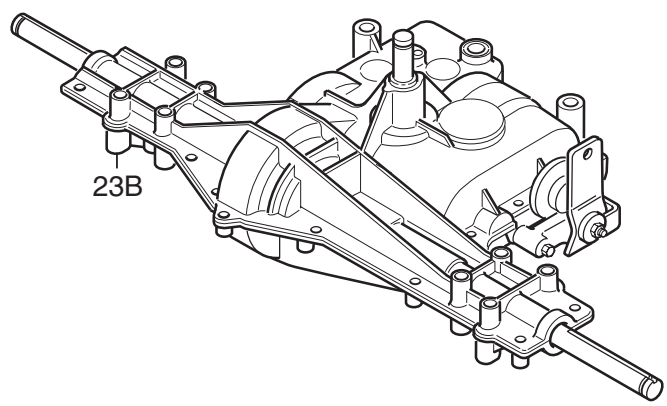
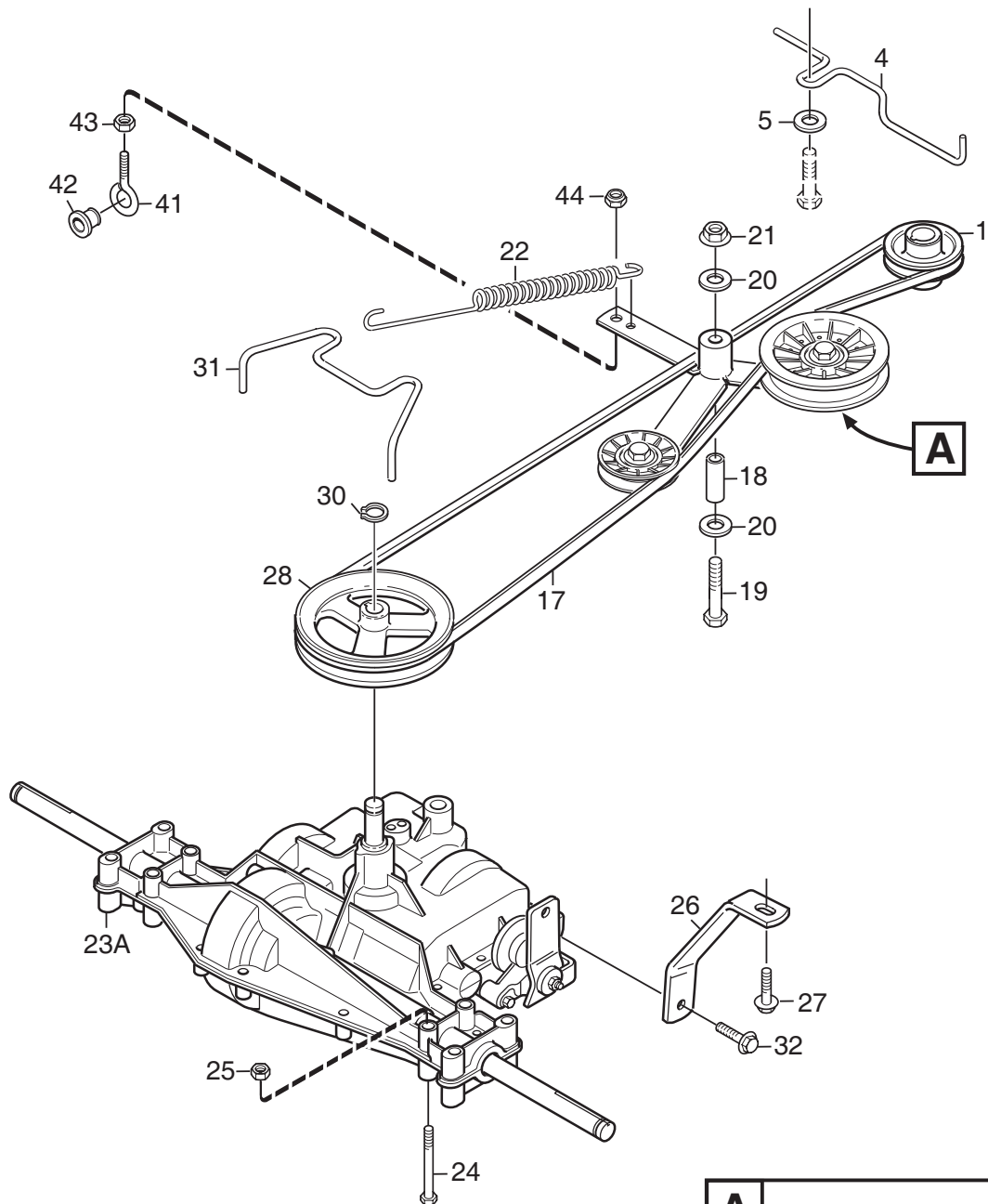


Utgåva Issue		Bildnr Picture No		READY ELUTRUSTNING		READY EL. EQUIPMENT		Sida Page	
2008- 11		1650B						262	
Pos. Fig.	Antal/Quantity			Art nr Part No	Benämning	Description	Sats Kit	Anmärkning Notes	
	2715	2716							
1	1	1		1134-4804-01	Batteri.....	Battery			
4		1		1134-4610-01	Fäste.....	Switch bracket			
5		1		1134-3399-02	Brytare.....	Switch.....			
6		2		9852-8013-16	Skruv.....	Screw.....			
7		3		9579-0003-00	Buntband	Cable holder			
8	1	1		1134-2042-02	Kabel- svart.....	Cable- black.....		L = 350 mm	
9	1	1		9838-9516-12	Skruv.....	Screw			
10	1	1		9747-0831-02	Mutter.....	Lock nut.....			
11	1	1		9795-3531-02	Mutter.....	Nut		1/4 UNC	
12	3	3		9579-0003-00	Buntband	Cable holder			
22	1	1		9699-0060-02	Planbricka.....	Flat washer.....			
26	1	1		1134-2962-01	Solenoid kpl	Solenoid assy.....			
27	2	2		9794-5131-02	• Mutter.....	• Nut			
28	1	1		1134-0234-02	Batterikabel (+).....	Battery cable (+).....		L = 395 mm	
29	1	1		1134-2310-01	Batteriskydd.....	Guard cap			
30	1	1		1134-4702-02	Kabel- röd	Cable- red.....		L = 480 mm	
32		1		1134-5767-01	Kablage.....	Harness.....			
32	1			1134-7218-01	Kablage.....	Harness.....			
32A	1	1		1134-3496-06	• Säkring	• Fuse		20A	

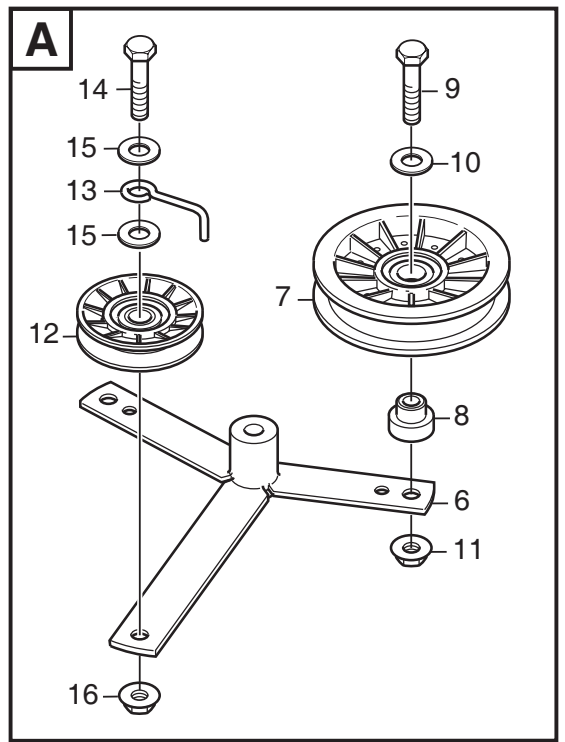
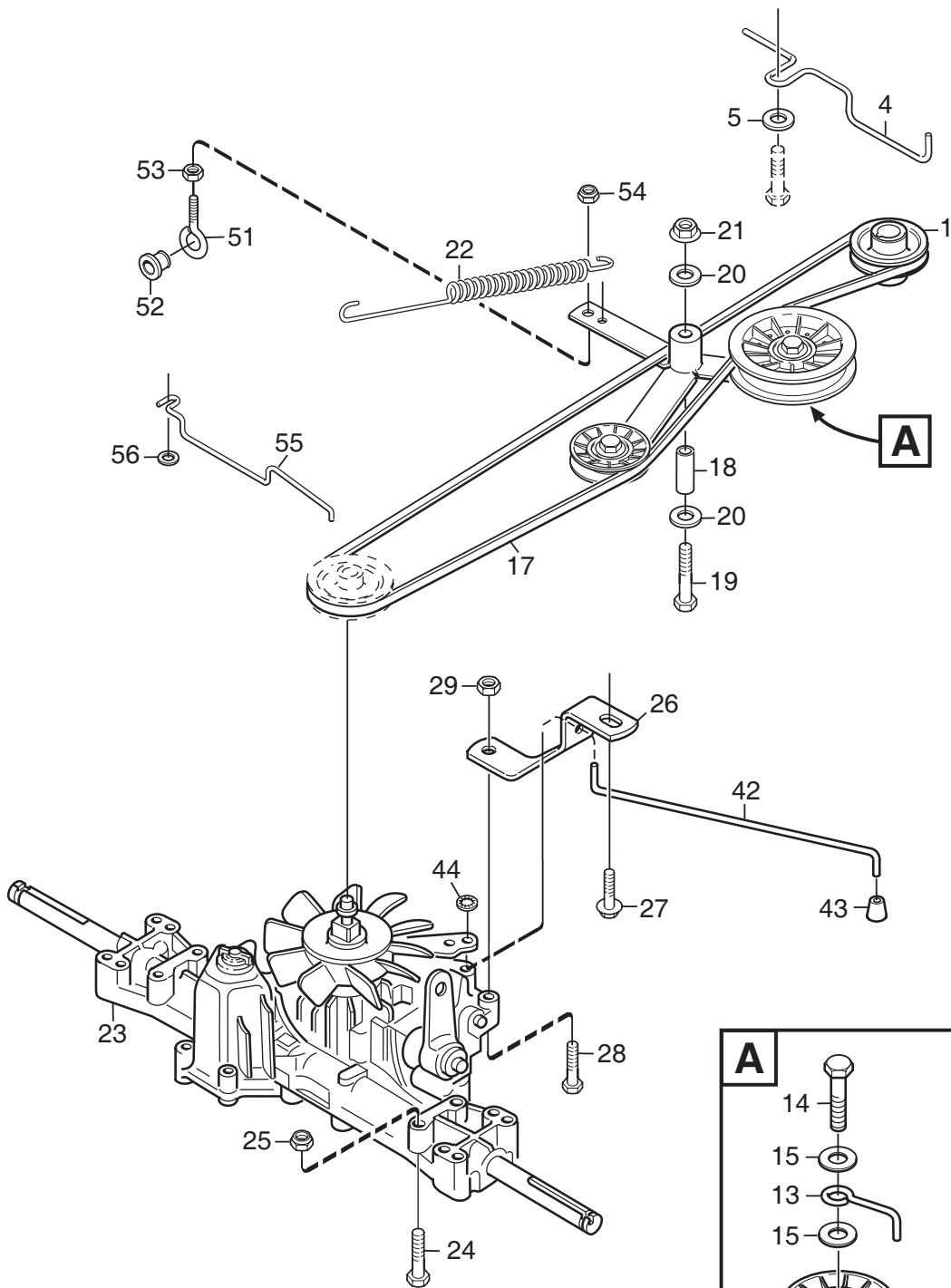
X



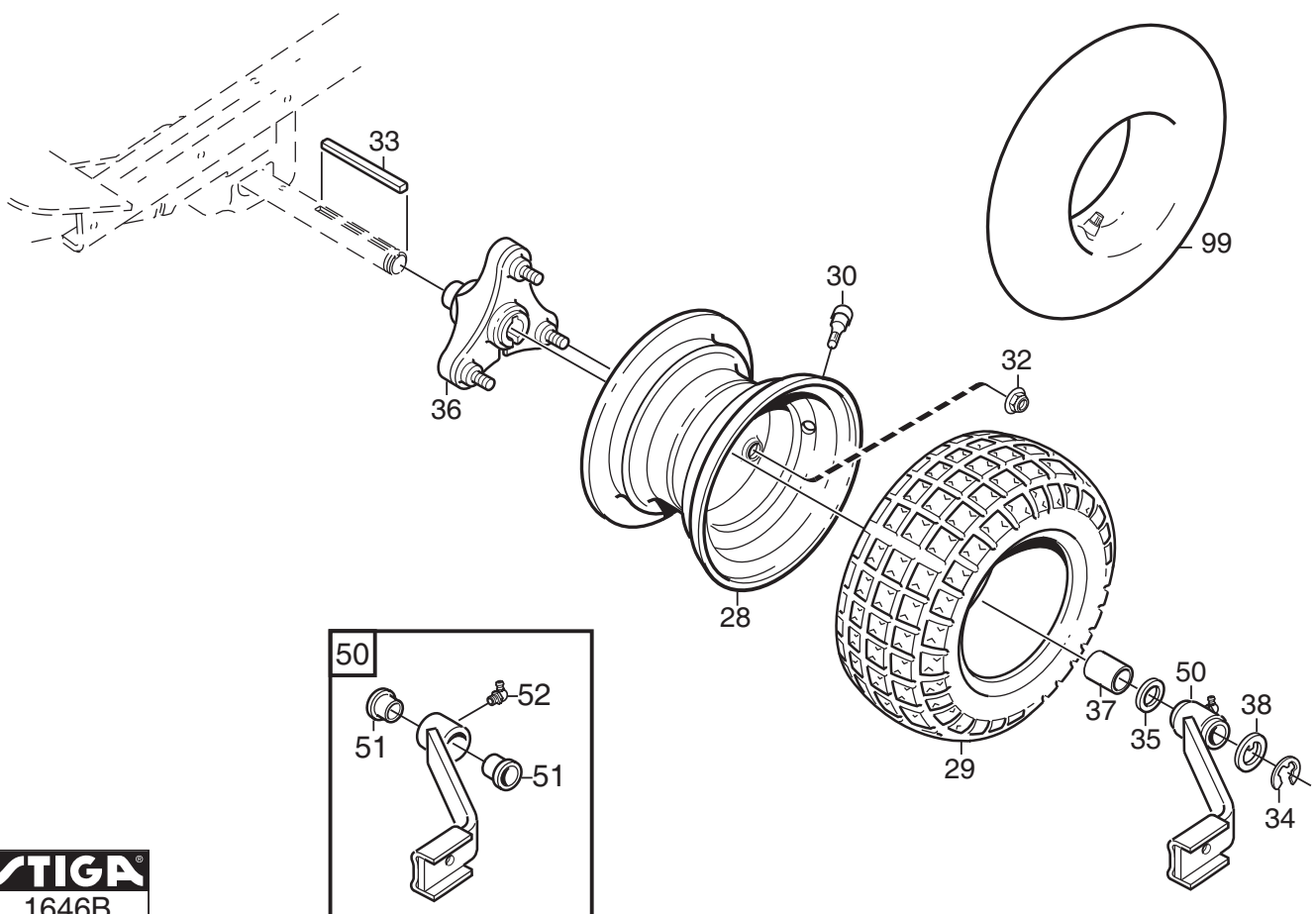
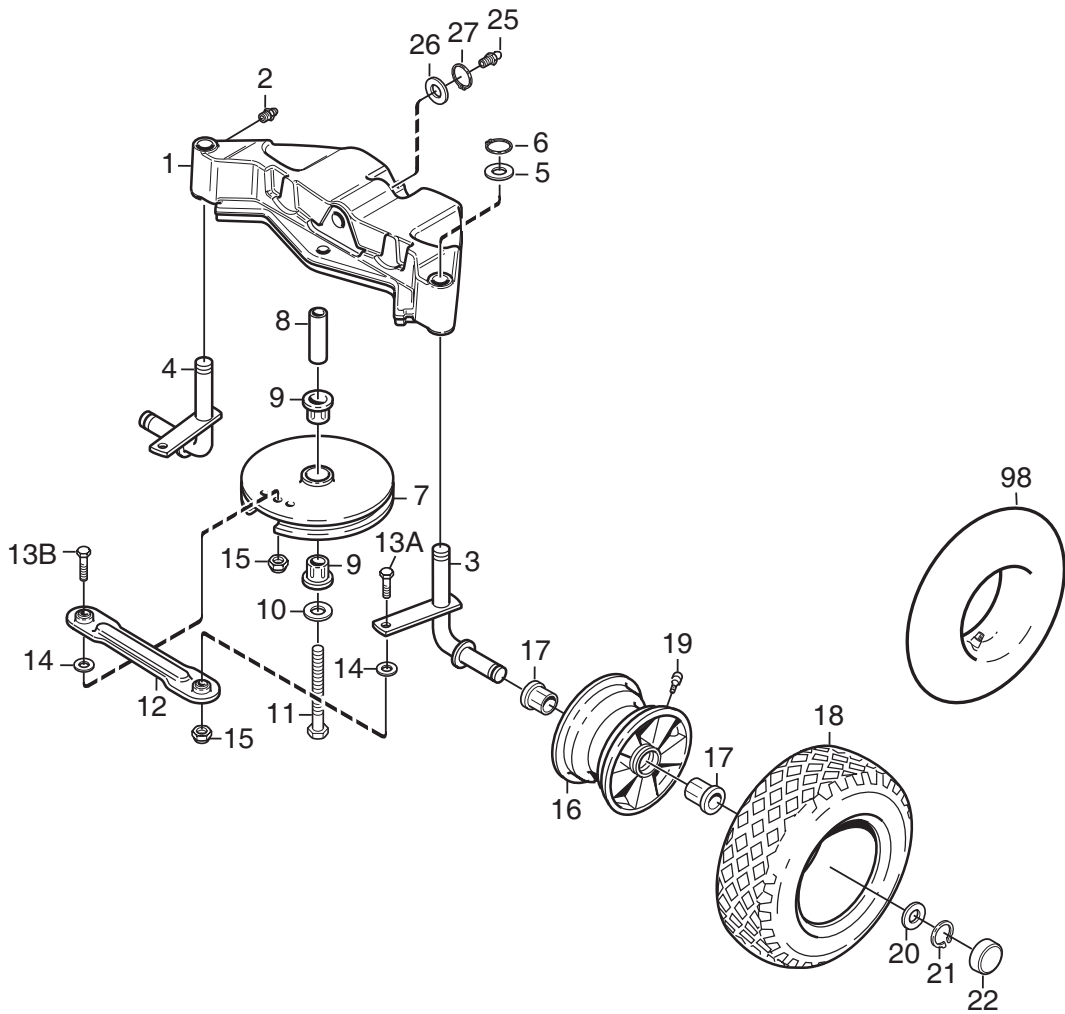
Utgåva Issue		Bildnr Picture No		READY MOTOR		READY ENGINE		Sida Page	
2008- 11		1651A						264	
Pos. Fig.	Antal/Quantity				Art nr Part No	Benämning	Description	Sats Kit	Anmärkning Notes
	2715								
	2716								
1	4			9997-0840-16	Skruv.....	Screw.....		L = 460 mm	
2	4			9747-0831-02	Mutter.....	Lock nut.....			
5	1			1134-5266-01	Bränsletank.....	Fuel tank.....			
6	1			1134-5532-01	Tanklock.....	Fuel tank cap.....			
7	1			1134-3224-01	Bensinkran.....	Fuel shut-off valve.....			
8	1			1134-3225-01	Gummibussning.....	Grommet.....			
9	1			1134-2975-05	Bensinslang.....	Fuel hose.....			
10	2			9578-0023-02	Slangklämma.....	Hose clamp.....			
12	1			1134-4808-01	Tankbygel.....	Tank clamp.....			
13	1			9699-0060-02	Planbricka.....	Flat washer.....			
14	1			9747-0631-02	Låsmutter.....	Lock nut.....			
15	1			1134-4807-02	Tank/batterihylla.....	Tank/battery shelf.....			
16	4			9829-8830-12	Skruv.....	Screw.....			
19	1			1134-0433-00	Ljuddämparpackning.....	Muffler gasket.....			
22	2			1134-4930-01	Skruv.....	Screw.....			
23	1			1134-5455-01	Ljuddämpare.....	Muffler.....			
24	1			9739-0831-22	Mutter.....	Nut.....			
25	1			9959-0820-16	Skruv.....	Screw.....			
26	1			1134-5457-01	Värmeskydd.....	Heat guard.....			
27	4			9893-0616-16	Skruv.....	Screw.....			



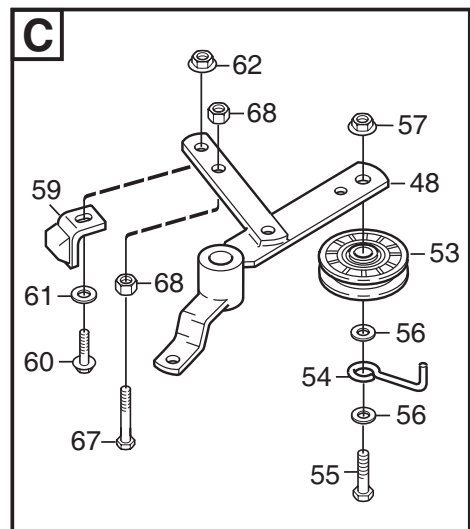
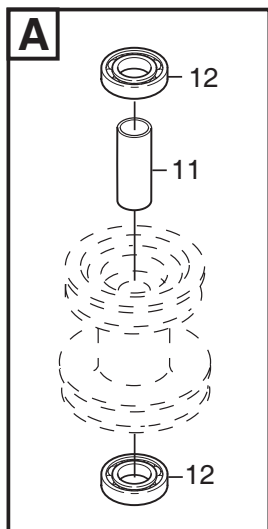
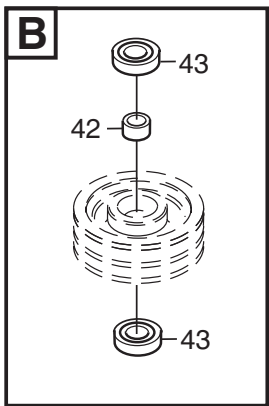
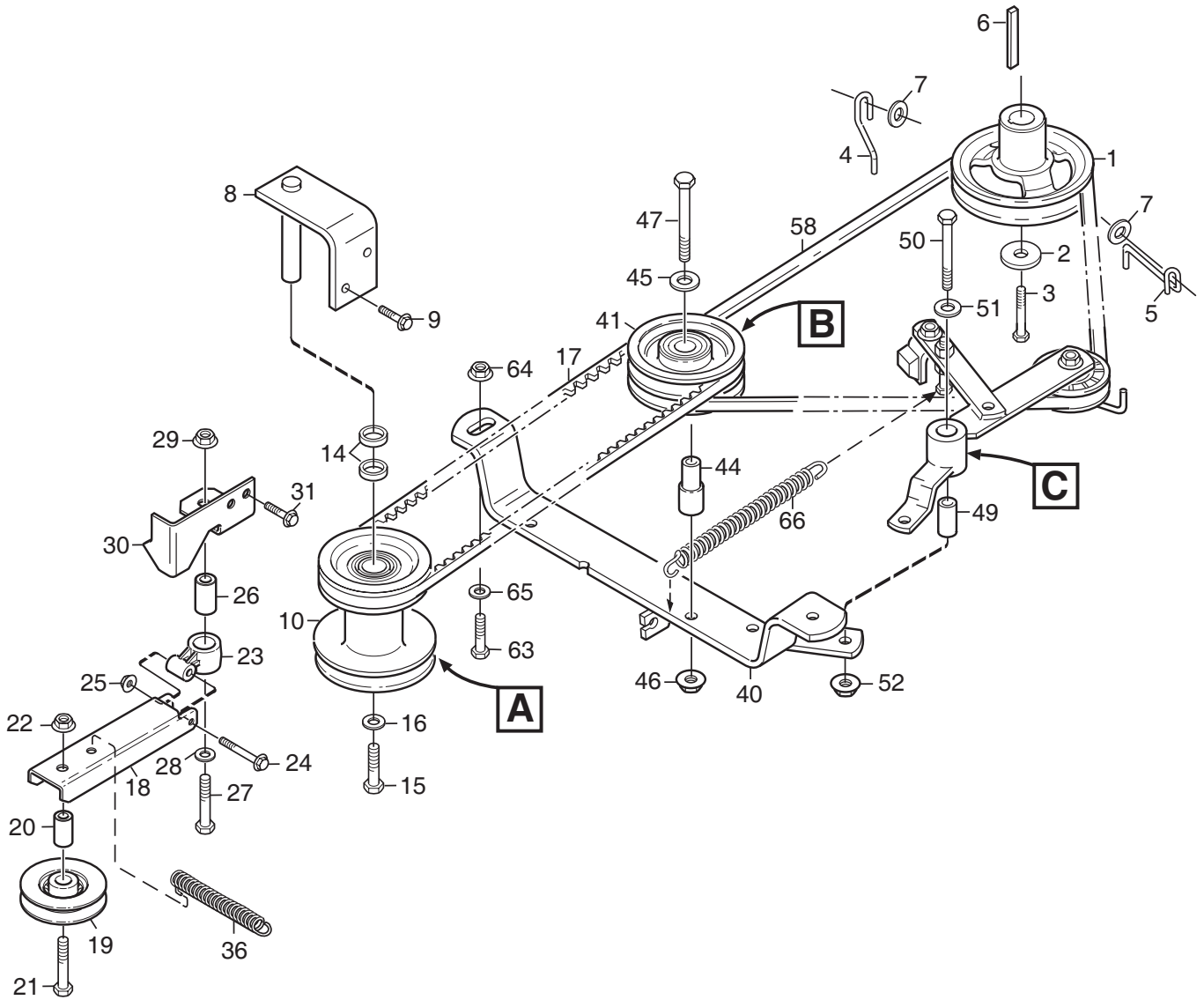
Utgåva Issue		Bildnr Picture No		READY TRANSMISSION	READY TRANSMISSION	Sida Page			
2008- 11		1643A				266			
Pos. Fig.	Antal/Quantity				Art nr Part No	Benämning	Description	Sats Kit	Anmärkning Notes
	2715								
1	1				1134-4611-01 Motorremskiva	Engine belt pulley			
4	1				1134-5414-01 Remstyrning	Belt guide			
5	1				9699-0056-02 Planbricka	Flat washer			
6	1				1134-4519-01 Spännarm	Tension arm			
7	1				1134-9091-01 Spännrulle	Tension roller			
8	1				1134-4614-01 Ansats	Shoulder spacer			
9	1				9997-1040-16 Skruv	Screw			
10	1				9699-0035-02 Planbricka	Flat washer			
11	1				9739-1031-22 Mutter	Nut			
12	1				1134-9027-02 Spännrulle- grå	Tension roller- grey			
13	1				1134-1795-01 Rembygel	Belt stirrup			
14	1				9997-1040-16 Skruv	Screw			
15	2				9699-0035-02 Planbricka	Flat washer			
16	1				9739-1031-22 Mutter	Nut			
17	1				1134-9065-01 Drivrem	Drive belt			= 9585-0124-01
18	1				1134-1565-08 Distans	Spacer			
19	1				9997-0870-16 Skruv	Screw			
20	2				9699-0056-02 Planbricka	Flat washer			
21	1				9739-0831-22 Mutter	Nut			
22	1				1134-5214-01 Fjäder	Spring			
23A	1				1134-5281-01 Transaxel kpl.	Transaxle assy			Dana 4360-197
23B	1				1134-6338-01 Transaxel kpl.	Transaxle assy			Dana 6800-7
24	4				9960-0860-12 Skruv	Screw			
25	4				9747-0831-02 Mutter	Lock nut			
26	1				1134-4687-01 Momentstag	Strut			
27	1				9945-0816-16 Skruv	Screw			
28	1				1134-1849-01 Remskiva	Belt pulley			
30	1				9650-0016-04 Spårring	Lock ring			
31	1				1134-4707-01 Remstyrning	Belt guide			
32	1				9942-0820-16 Skruv	Screw			
41	1				1134-2138-01 Skruvögla	Eye bolt			
42	1				1134-4779-01 Plastbussning	Plastic bushing			
43	1				9739-0831-22 Mutter	Nut			
44	1				9747-0831-02 Mutter	Lock nut			



Utgåva Issue		Bildnr Picture No		READY AMBIANCE HST TRANSMISSION	READY AMBIANCE HST TRANSMISSION	Sida Page			
2008- 11		1157F				268			
Pos. Fig.	Antal/Quantity				Art nr Part No	Benämning	Description	Sats Kit	Anmärkning Notes
	2716								
1	1			1134-4611-01	Motorremskiva	Engine belt pulley			
4	1			1134-5414-01	Remstyrning	Belt guide			
5	1			9699-0056-02	Planbricka	Flat washer			
6	1			1134-4519-01	Spännarm	Tension arm			
7	1			1134-9091-01	Spännrulle	Tension roller			
8	1			1134-4614-01	Ansats	Shoulder spacer			
9	1			9997-1040-16	Skruv	Screw			
10	1			9699-0035-02	Planbricka	Flat washer			
11	1			9739-1031-22	Mutter	Nut			
12	1			1134-9027-02	Spännrulle- grå	Tension roller- grey			
13	1			1134-1795-01	Rembygel	Belt stirrup			
14	1			9997-1040-16	Skruv	Screw			
15	2			9699-0035-02	Planbricka	Flat washer			
16	1			9739-1031-22	Mutter	Nut			
17	1			1134-9064-01	Drivrem	Drive belt			= 9585- 0099- 01
18	1			1134-1565-08	Distans	Spacer			
19	1			9997-0870-16	Skruv	Screw			
20	2			9699-0056-02	Planbricka	Flat washer			
21	1			9739-0831-22	Mutter	Nut			
22	1			1134-5214-01	Fjäder	Spring			
23	1			1134-4846-01	Transaxel kpl	Transaxle assy			Kanzaki K46AG
24	4			9960-0860-12	Skruv	Screw			
25	4			9747-0831-02	Mutter	Lock nut			
26	1			1134-6290-01	Momentstag	Strut			
27	1			9945-0816-16	Skruv	Screw			
28	1			9997-0840-16	Skruv	Screw			
29	1			9747-0831-02	Mutter	Lock nut			
42	1			1134-5156-01	Dragstång	Pull rod			
43	1			1134-4014-01	Plastknopp	Plastic button			
44	1			9675-0009-02	Starlock	Starlock			
51	1			1134-2138-01	Skruvögla	Eye bolt			
52	1			1134-4779-01	Plastbussning	Plastic bushing			
53	1			9739-0831-22	Mutter	Nut			
54	1			9747-0831-02	Mutter	Lock nut			
55	1			1134-5319-01	Remstyrning	Belt guide			
56	1			9699-0056-02	Planbricka	Flat washer			



Utgåva Issue		Bildnr Picture No		READY HJUL	READY WHEELS	Sida Page			
2008- 11		1646B				270			
Pos. Fig.	Antal/Quantity				Art nr Part No	Benämning	Description	Sats Kit	Anmärkning Notes
	2715								
1	1				1134-5894-01 Bakaxel	Rear axle			
2	2				9501-0500-00 Smörjnippel	Grease joint			
3	1				1134-5009-02 Spindel- vä	Spindle- LH			
4	1				1134-5009-01 Spindel- hö	Spindle- RH			
5	2				9699-0088-02 Planbricka	Flat washer			
6	2				9650-0020-04 Spårring	Circlip			
7	1				1134-5316-01 Styrskiva	Steering pulley			
8	1				1134-5575-01 Distans	Spacer			
9	1				1134-9024-01 Lager	Bearing		Sats 4 st/kit of 4	
10	1				9699-0104-02 Bricka	Washer			
11	1				9997-1680-12 Skruv	Screw			
12	2				1134-3247-05 Styrstag	Tie rod			
13A	2				9997-0825-16 Skruv	Screw		L = 25 mm	
13B	1				9997-0835-12 Skruv	Screw		L = 35 mm	
14	2				9699-0090-02 Planbricka	Flat washer			
15	3				9747-0831-02 Mutter	Lock nut			
16	2				1134-4706-01 Fälg	Rim			
17	1				1134-9026-01 Lagerbussning	Bearing bush kit		Sats 4 st/kit of 4	
18	2				9545-0117-00 Däck	Tyre		13 x 5.00 - 6	
19	2				9545-0500-00 Ventil	Valve			
20	2				1134-0341-01 Bricka	Washer			
21	2				9650-0020-04 Spårring	Circlip			
22	2				1134-4344-01 Navkapsel	Hub cap			
25	1				9501-0500-00 Smörjnippel	Grease joint			
26	1				9699-0088-02 Planbricka	Flat washer			
27	1				9650-0020-04 Spårring	Circlip			
28	2				1134-5255-01 Fälg	Rim			
29	2				9545-0126-01 Däck	Tyre		16 x 6.00 - 8	
30	2				9545-0500-00 Ventil	Valve			
32	6				9731-1031-22 Mutter	Nut			
33	2				1134-2471-03 Kil	Key			
34	2				9653-0001-04 Spårryttare	Lock ring			
35	2				1134-0341-01 Bricka	Washer			
36	2				1134-4844-02 Hjulnav	Wheel hub			
37	2				1134-4845-02 Navhylsa	Hub sleeve			
38	2				1134-4981-01 Bricka	Washer			
50	2				1134-6274-01 Redskapsfäste kpl.	Attachment assy		Inkl. pos 51 - 52	
51	1				1134-9026-01 • Lagerbussning	• Bearing bush kit		Sats 4 st/kit of 4	
52	1				9501-0502-00 • Smörjnippel	• Grease joint			
98					9545-0204-00 Innerslang	Inner tube		Reservdel/spare part	
99					9545-0203-00 Innerslang	Inner tube		Reservdel/spare part	



Utgåva Issue		Bildnr Picture No		READY KRAFTUTTAG	READY POWER TAKE-OFF	Sida Page				
2008- 11		1512E				272				
Pos. Fig.	Antal/Quantity				Art nr Part No	Benämning	Description	Sats Kit	Anmärkning Notes	
	2715									
2716										
1	1			1134-5046-01	Motorremskiva	Engine belt pulley			L = 2 1/2"	
2	1			1134-5017-01	Bricka	Washer				
3	1			9987-5332-16	Skruv	Screw				
4	1			1134-5058-01	Remstyrning	Belt guide				
5	1			1134-5057-01	Remstyrning	Belt guide				
6	1			9600-0251-01	Kil	Key				
7	2			9699-0056-02	Planbricka	Flat washer				
8	1			1134-4650-01	Monteringsbygel	Pulley bracket				
9	2			9945-0816-16	Skruv	Screw				
10	1			1134-4643-01	Mellanremskiva kpl.	Intermediate pulley				
11	1			1134-0051-12	• Distans	• Spacer				
12	2			9549-0019-00	• Kullager	• Ball bearing				
14	2			1134-0052-00	Lagerdistans	Bearing spacer				
15	1			9997-1040-16	Skruv	Screw				
16	1			9699-0035-02	Planbricka	Flat washer				
17	1			1134-9079-01	Drivrem	Drive belt		= 9585-0139-01		
18	1			1134-5231-01	Spännarm	Tension arm				
19	1			1134-6329-01	Spännrulle	Tension roller				
20	1			1134-4619-01	Distans	Spacer				
21	1			9997-1060-12	Skruv	Screw				
22	1			9731-1031-22	Mutter	Nut				
23	1			1134-6314-01	Spännarmsfäste	Attachment				
24	1			9997-0640-12	Skruv	Screw				
25	1			9747-0631-02	Låsmutter	Lock nut				
26	1			1134-4619-01	Distans	Spacer				
27	1			9930-1050-12	Skruv	Screw				
28	1			9699-0035-02	Planbricka	Flat washer				
29	1			9731-1031-22	Mutter	Nut				
30	1			1134-4708-02	Fäste	Bracket				
31	2			9945-0816-16	Skruv	Screw				
36	1			1131-1507-00	Fjäder	Spring				
40	1			1134-5037-01	Bygel	Bracket				
41	1			1134-1769-03	Centrumremskiva kpl.	Centre pulley assy				
42	1			1134-0051-09	• Distans	• Spacer				
43	2			9549-0019-00	• Kullager	• Ball bearing				
44	1			1134-1839-02	Mellanaxel	Shaft				
45	1			9699-0035-02	Planbricka	Flat washer				
46	1			9739-1031-22	Mutter	Nut				
47	1			9997-1070-12	Skruv	Screw				
48	1			1134-5541-01	Kopplingsarm	Clutch lever				
49	1			1134-1565-10	Distans	Spacer				
50	1			9997-0860-16	Skruv	Screw				
51	1			9699-0056-02	Planbricka	Flat washer				
52	1			9739-0831-22	Mutter	Nut				
53	1			1134-9027-02	Spännrulle- grå	Tension roller- grey				
54	1			1134-1795-01	Rembygel	Belt stirrup				
55	1			9997-1040-16	Skruv	Screw				
56	2			9699-0035-02	Planbricka	Flat washer				
57	1			9739-1031-22	Mutter	Nut				
58	1			1134-9078-01	Drivrem	Drive belt		= 9585-0138-01		
59	1			1134-4164-03	Bromsklots	Brake pad				
60	1			9959-0820-16	Skruv	Screw				
61	1			9699-0090-02	Planbricka	Flat washer				
62	1			9747-0831-02	Mutter	Lock nut				
63	2			9959-0820-16	Skruv	Screw				
64	2			9739-0831-22	Mutter	Nut				
65	1			9699-0056-02	Planbricka	Flat washer				
66	1			1131-1506-00	Fjäder	Spring				
67	1			9997-0860-16	Skruv	Screw				
68	2			9739-0831-22	Mutter	Nut				