



Catalogue des pieces de rechange - Spare parts catalogue

Modèle Année 2014 - Model Year 2014

SERIE - 2

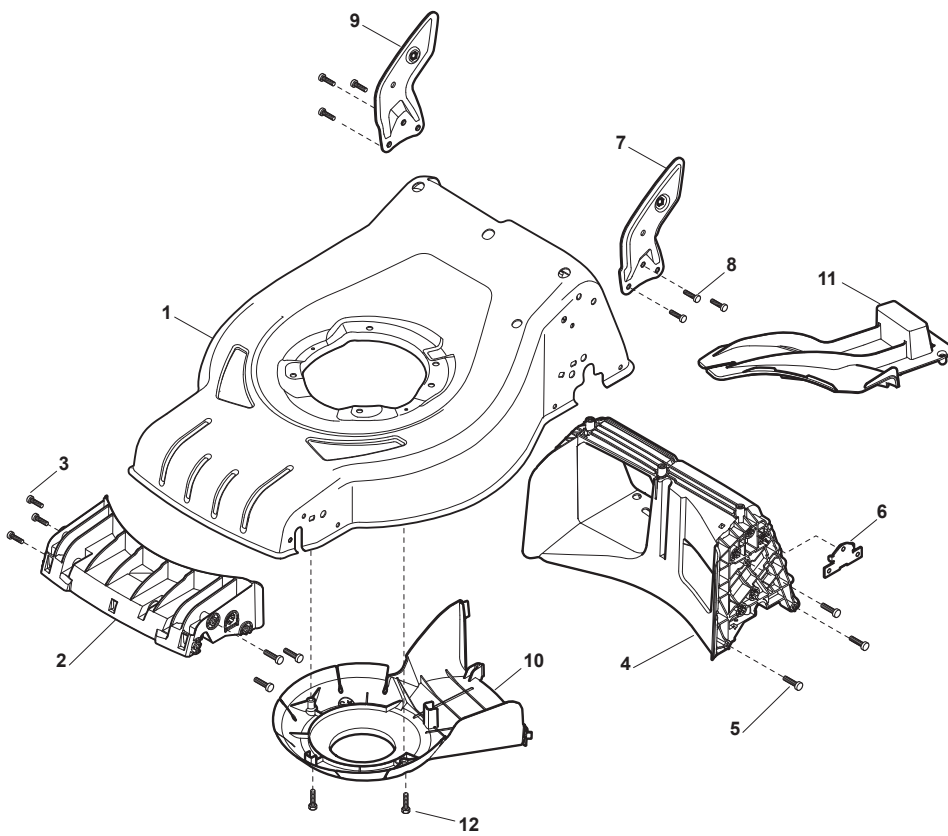


Fig.	Q.ty	Part No	Description	Notes
1	1	381004729/0	Grey Deck	
2	1	322108301/1	Front Conveyor Assy	
3	6	112728699/0	Screw	
4	1	322108302/0	Rear Conveyor Assy	
5	6	112728699/0	Screw	
6	2	322545213/0	Plate	
7	1	381005139/0	Left Bracket	
8	6	112727801/0	Screw	
9	1	381005137/0	Right Bracket	
10	1	322060242/0	Belt Protection	
11	1	322140239/0	Mulching Deflector	
12	2	112728530/0	Screw	

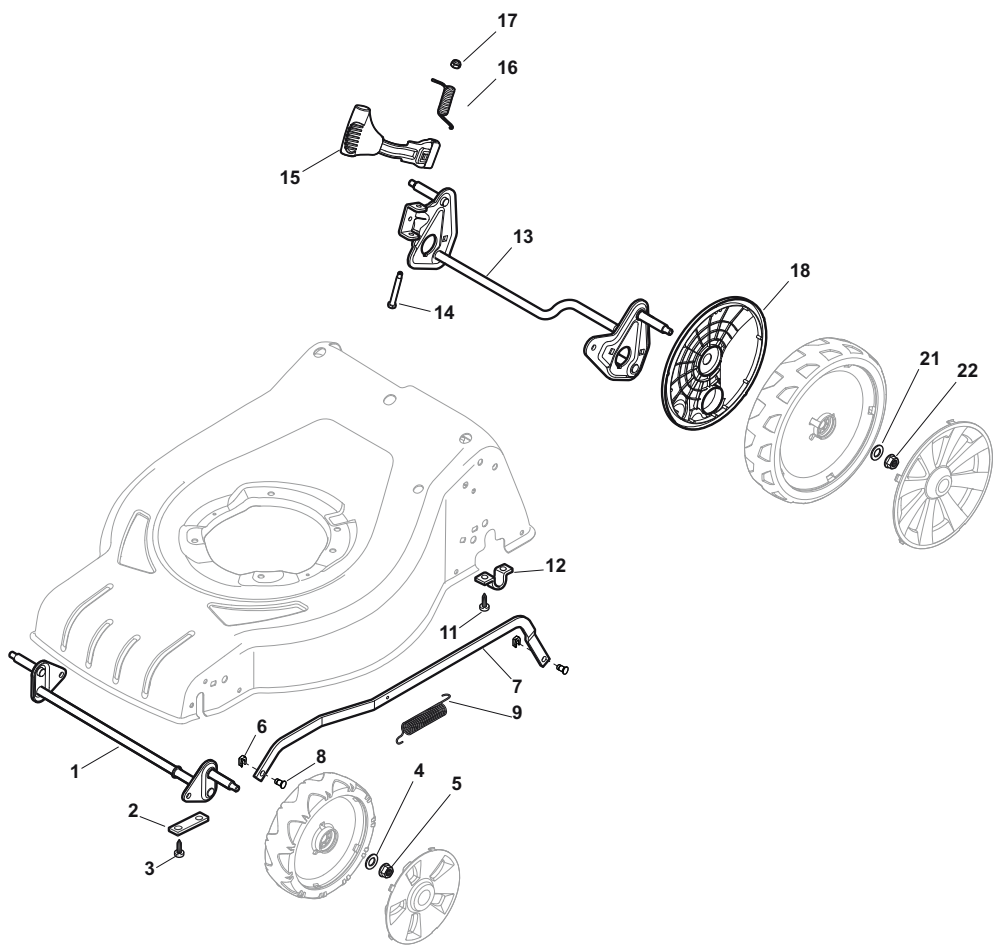
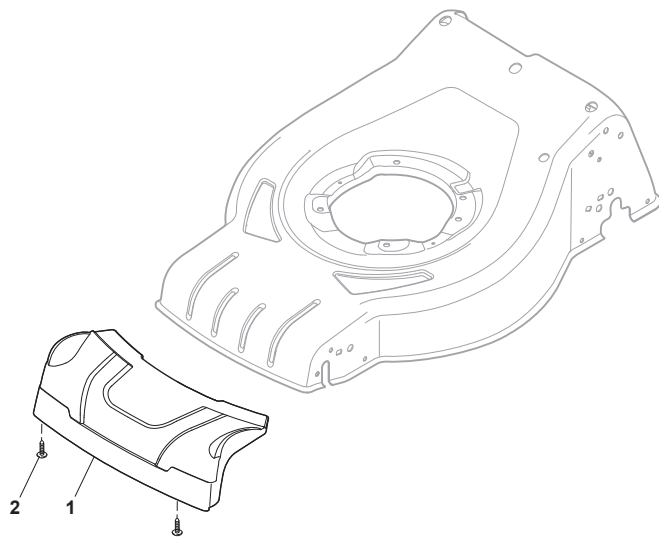


Fig.	Q.ty	Part No	Description	Notes
18	1	322600205/1	Protection, Wheel	
1	1	381302821/0	Front Wheel Axle	
2	2	322545142/0	Plate	
3	4	112728698/0	Screw	
4	2	112521350/0	Washer	
5	2	112155000/0	Nut	
6	2	112436051/0	Plate	
7	1	322869673/0	Rod, Height Adjustment	(Honda)
8	2	122519820/0	Pin	
9	1	122446193/0	Spring	
11	4	112728698/0	Screw	
12	2	322545152/0	Plate	
13	1	381302817/0	Rear Wheel Axle	
14	1	122534131/0	Pin	
15	1	381003357/0	Wheels Rear Adj. Lever	
16	1	122446192/0	Spring	
17	1	112154510/0	Nut	
21	2	112521350/0	Washer	
22	2	112155000/0	Nut	



WBH Petrol Steel Mask

Issue 51 - 2015

Fig.	Q.ty	Part No	Description	Notes
1	1	322226170/0	Mask, Black	
2	2	112728698/0	Screw	

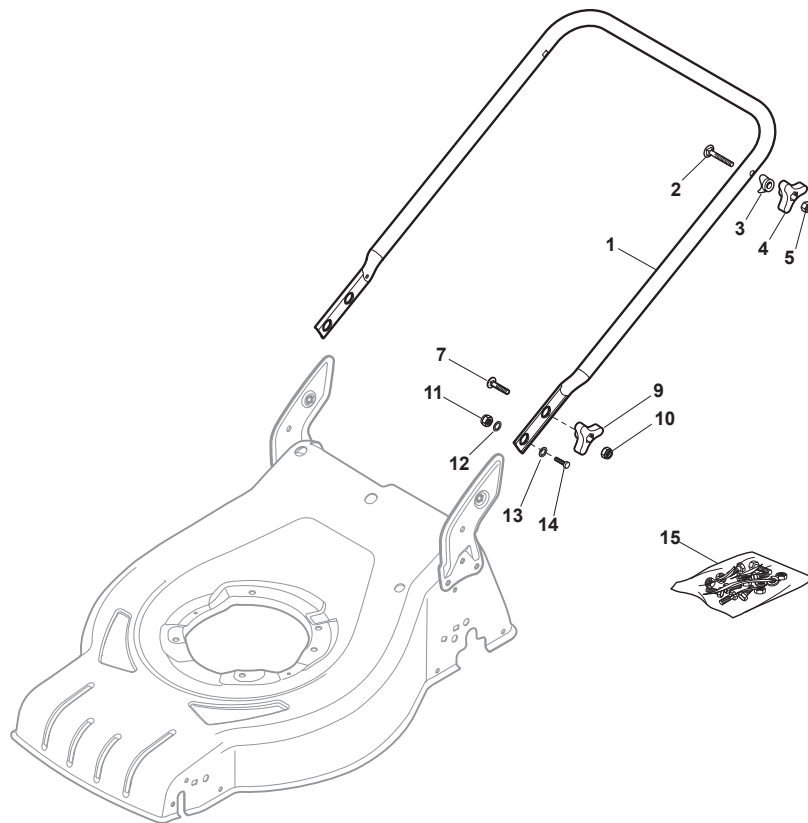


Fig.	Q.ty	Part No	Description	Notes
1	1	381006737/0	Handle Lower Part	Black
2	2	112819110/0	Screw	
3	2	122671651/0	Washer	
4	2	322399846/0	Red Knob	Red
5	2	112293200/0	Nut	
7	2	112818900/0	Screw	
9	2	322399846/0	Red Knob	Red
10	2	112293200/0	Nut	
11	2	112155000/0	Nut	
12	2	112521350/0	Washer	
13	2	112369500/0	Elastic Washer	
14	2	112760605/0	Screw	
15	1	381008695/0	Outfit, Screws	Red

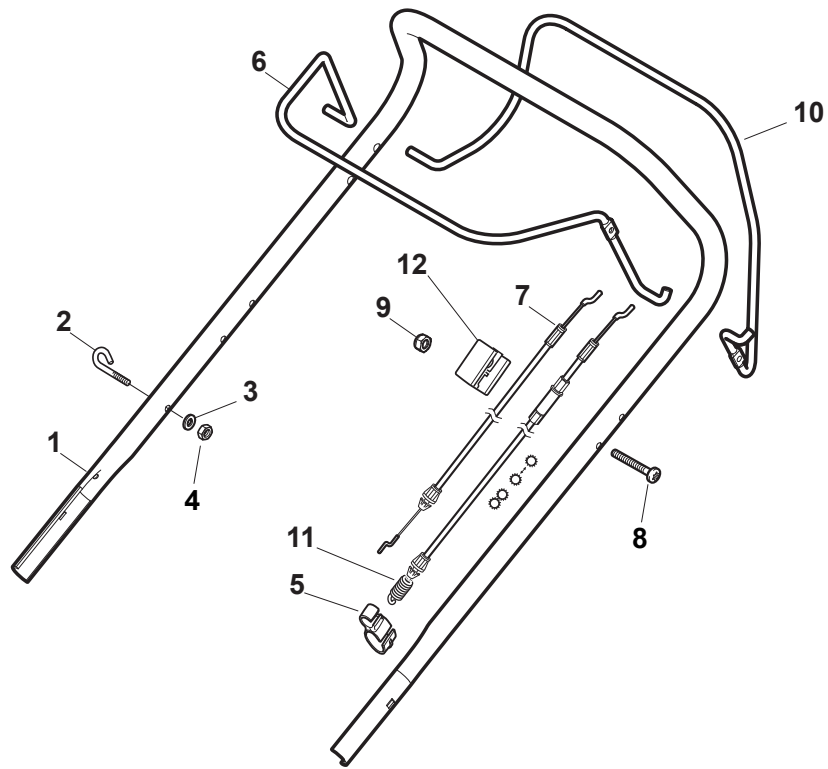


Fig.	Q.ty	Part No	Description	Notes
1	1	381006739/1	Handle, Upper Part	
1	1	381006745/1	Handle, Upper Part with sponge handgrip	
2	1	122430313/0	Guide Spring	
3	1	112521330/0	Washer	
4	1	112154510/0	Nut	
5	1	118390020/0	Conduit Clip	
6	1	181003363/1	Lever, Engine Brake Black	Black
7	1	181030069/1	Cable, Thread Engine Brake	Honda Engine
8	1	112727783/0	Screw	
9	1	112154510/0	Nut	
10	1	181003364/0	Drive Control Lever	Black
11	1	381030051/0	Cable Rear Drive	
12	1	322551640/0	Plate	

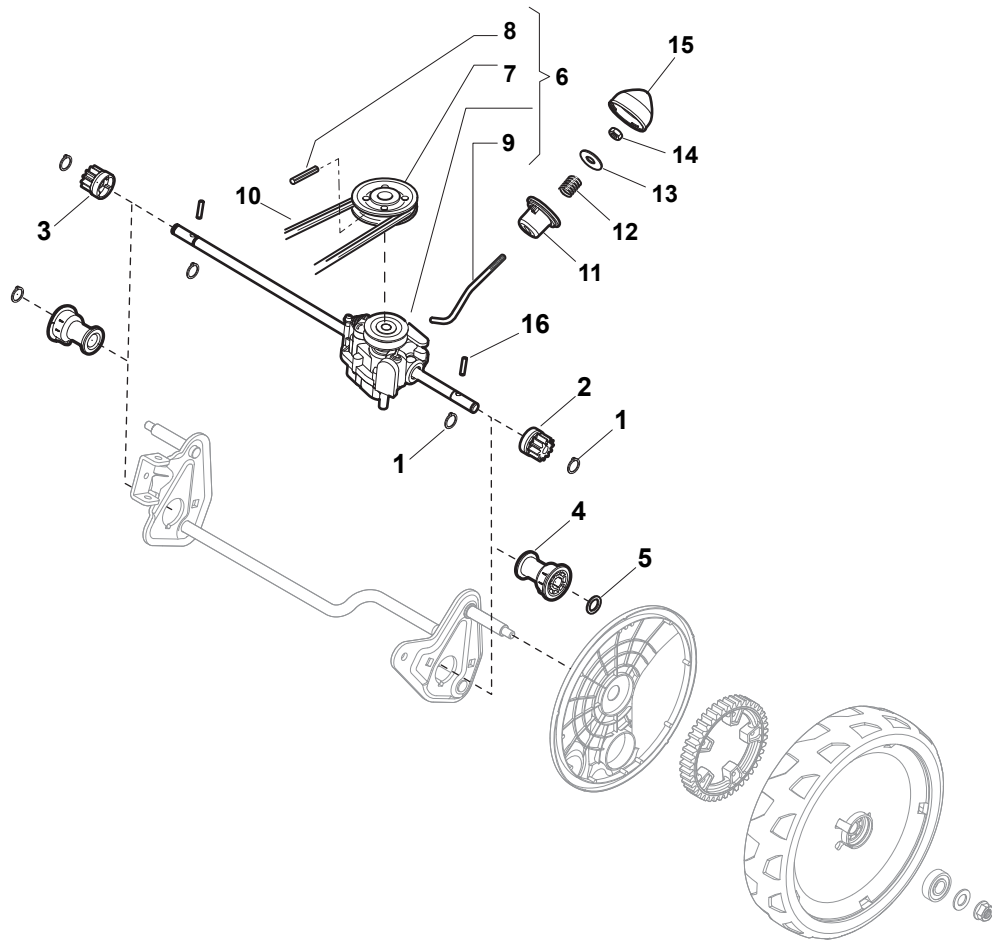


Fig.	Q.ty	Part No	Description	Notes
1	4	112608600/0	Seeger	
2	1	122570120/1	Pinion Left	
3	1	122570110/1	Pinion Right	
4	2	322042066/0	Bushing	
5	2	112521371/0	Washer	
6	1	181003092/0	Gear Box	
7	1	122601904/0	Pulley	
8	1	112645700/0	Elastic Pin	
9	1	122033283/0	Adjustment Rod	
10	1	135063800/0	Trapezoidal Belt	
11	1	122041957/1	Bushing	
12	1	122450063/0	Spring	
13	1	322680009/0	Washer	
14	1	112154510/0	Nut	
15	1	122110230/0	Hub Cover	
16	2	122753000/0	Pin	

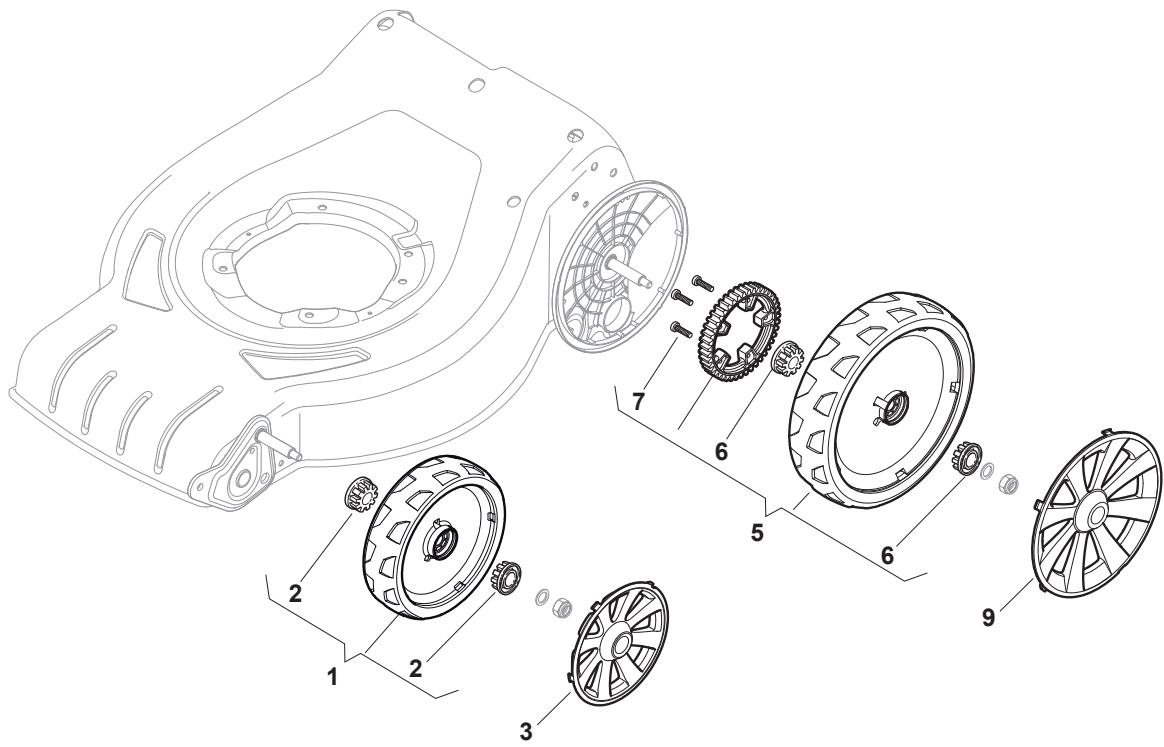


Fig.	Q.ty	Part No	Description	Notes
1	2	381007442/1	Wheel	
2	4	322042064/0	Bushing	
3	2	322110638/0	Hub Cap Grey	Grey
5	2	381007462/1	Wheel	
6	4	322042064/0	Bushing	
7	6	112728706/0	Screw	
9	2	322110639/0	Hub Cap Grey	Grey

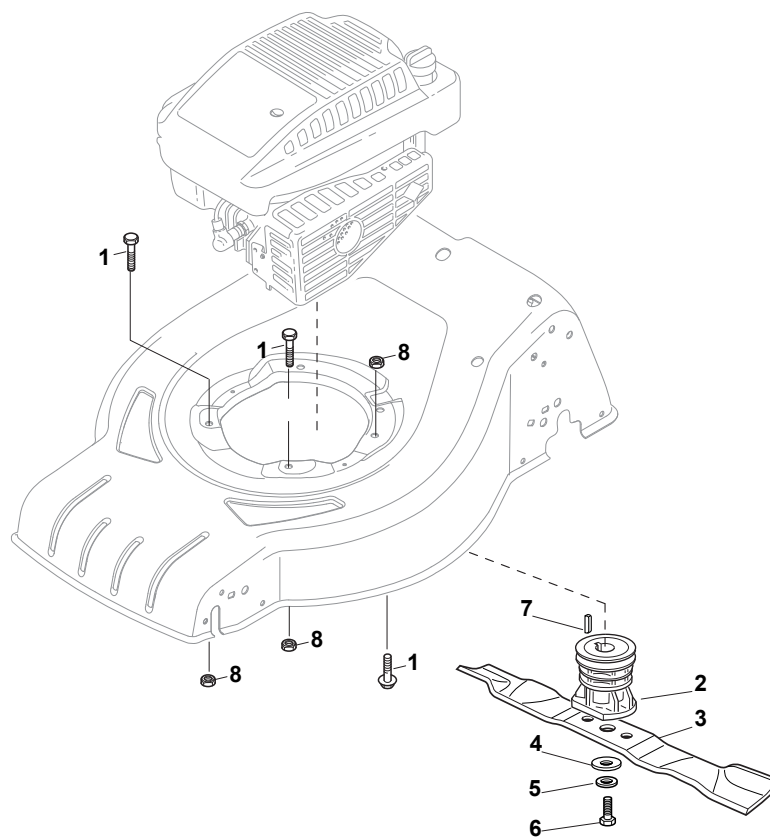


Fig.	Q.ty	Part No	Description	Notes
1	3	112691115/0	Screw	
2	1	122465607/3	Hub With Pulley, Crankshaft Ø 22.2	
3	1	181004460/0	Blade	
4	1	112508125/0	Elastic Disc	
5	1	112523080/0	Washer	
6	1	112735698/0	Screw	
7	1	112139100/0	Feather, Crankshaft Ø 22	
8	3	112154210/0	Nut	

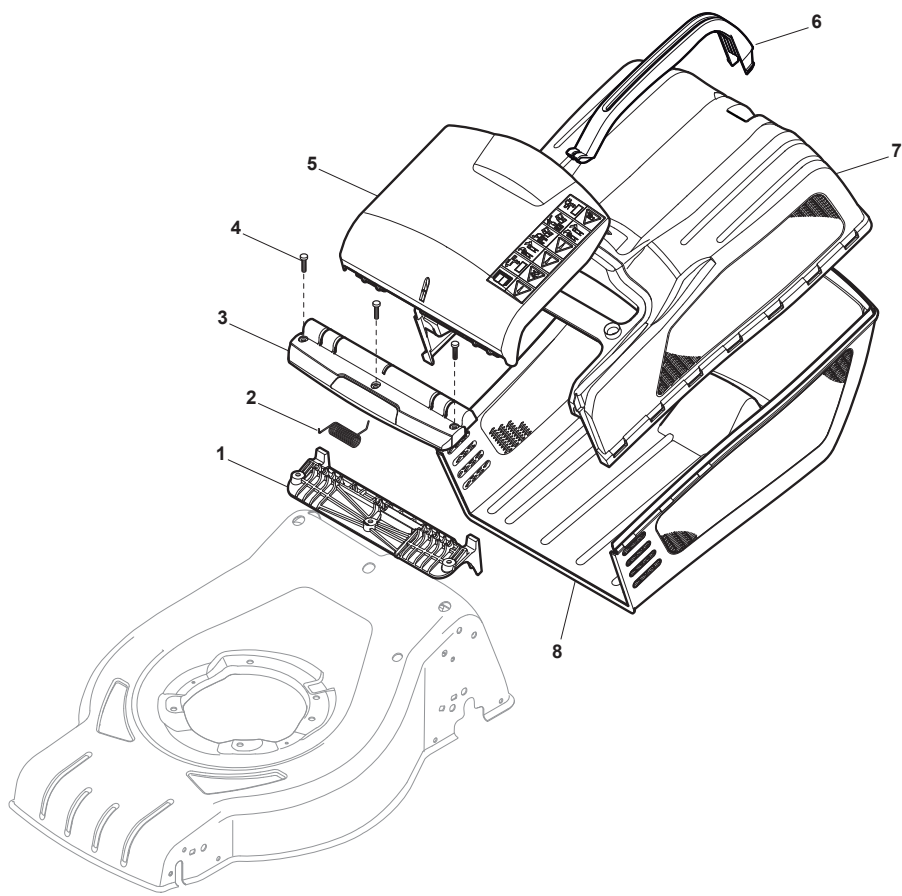


Fig.	Q.ty	Part No	Description	Notes
1	1	322785331/0	Black Stone Guard Support	
2	1	122450464/0	Spring	
3	1	322109557/0	Stone Guard Supp. Cover Grey	Grey
4	3	112728699/0	Screw	
5	1	322600216/1	Stone Guard, Grey	Grey
6	1	322393645/0	Grasscatcher Handle	Grey
6	1	322393716/0	Handle, Grey	Grey NCSS-N
7	1	322486263/0	Grasscatcher Upper Part Grey	Grey
7	1	322486387/0	Grassbox Upper Part, Grey	Grey NCSS-N
8	1	322486267/0	Grasscatcher Lower Part Grey	Grey
8	1	322486388/0	Grassbox Lower Part, Grey	Grey NCSS-N

code	pos.	q.ty	page				
112139100/0	7	1	p. 17	322108301/1	2	1	p. 3
112154210/0	8	3	p. 17	322108302/0	4	1	p. 3
112154510/0	4	1	p. 11	322109557/0	3	1	p. 19
112154510/0	9	1	p. 11	322110638/0	3	2	p. 15
112154510/0	14	1	p. 13	322110639/0	9	2	p. 15
112154510/0	17	1	p. 5	322140239/0	11	1	p. 3
112155000/0	5	2	p. 5	322226170/0	1	1	p. 7
112155000/0	11	2	p. 9	322393645/0	6	1	p. 19
112155000/0	22	2	p. 5	322393716/0	6	1	p. 19
112293200/0	5	2	p. 9	322399846/0	4	2	p. 9
112293200/0	10	2	p. 9	322399846/0	9	2	p. 9
112369500/0	13	2	p. 9	322486263/0	7	1	p. 19
112436051/0	6	2	p. 5	322486267/0	8	1	p. 19
112521330/0	3	1	p. 11	322486387/0	7	1	p. 19
112521350/0	4	2	p. 5	322486388/0	8	1	p. 19
112521350/0	12	2	p. 9	322545142/0	2	2	p. 5
112521350/0	21	2	p. 5	322545152/0	12	2	p. 5
112521371/0	5	2	p. 13	322545213/0	6	2	p. 3
112523080/0	5	1	p. 17	322551640/0	12	1	p. 11
112608600/0	1	4	p. 13	322600205/1	18	1	p. 5
112645700/0	8	1	p. 13	322600216/1	5	1	p. 19
112691115/0	1	3	p. 17	322680009/0	13	1	p. 13
112727783/0	8	1	p. 11	322785331/0	1	1	p. 19
112727801/0	8	6	p. 3	322869673/0	7	1	p. 5
112728530/0	12	2	p. 3	381003357/0	15	1	p. 5
112728698/0	2	2	p. 7	381004729/0	1	1	p. 3
112728698/0	3	4	p. 5	381005137/0	9	1	p. 3
112728698/0	11	4	p. 5	381005139/0	7	1	p. 3
112728699/0	3	6	p. 3	381006737/0	1	1	p. 9
112728699/0	4	3	p. 19	381006739/1	1	1	p. 11
112728699/0	5	6	p. 3	381006745/1	1	1	p. 11
112728706/0	7	6	p. 15	381007442/1	1	2	p. 15
112735698/0	6	1	p. 17	381007462/1	5	2	p. 15
112760605/0	14	2	p. 9	381008695/0	15	1	p. 9
112818900/0	7	2	p. 9	381030051/0	11	1	p. 11
112819110/0	2	2	p. 9	381302817/0	13	1	p. 5
118390020/0	5	1	p. 11	381302821/0	1	1	p. 5
122033283/0	9	1	p. 13				
122041957/1	11	1	p. 13				
122110230/0	15	1	p. 13				
112508125/0	4	1	p. 17				
122430313/0	2	1	p. 11				
122446192/0	16	1	p. 5				
122446193/0	9	1	p. 5				
122450063/0	12	1	p. 13				
122450464/0	2	1	p. 19				
122465607/3	2	1	p. 17				
122519820/0	8	2	p. 5				
122534131/0	14	1	p. 5				
122570110/1	3	1	p. 13				
122570120/1	2	1	p. 13				
122601904/0	7	1	p. 13				
122671651/0	3	2	p. 9				
122753000/0	16	2	p. 13				
135063800/0	10	1	p. 13				
181003092/0	6	1	p. 13				
181003363/1	6	1	p. 11				
181003364/0	10	1	p. 11				
181004460/0	3	1	p. 17				
181030069/1	7	1	p. 11				
322042064/0	2	4	p. 15				
322042064/0	6	4	p. 15				
322042066/0	4	2	p. 13				
322060242/0	10	1	p. 3				