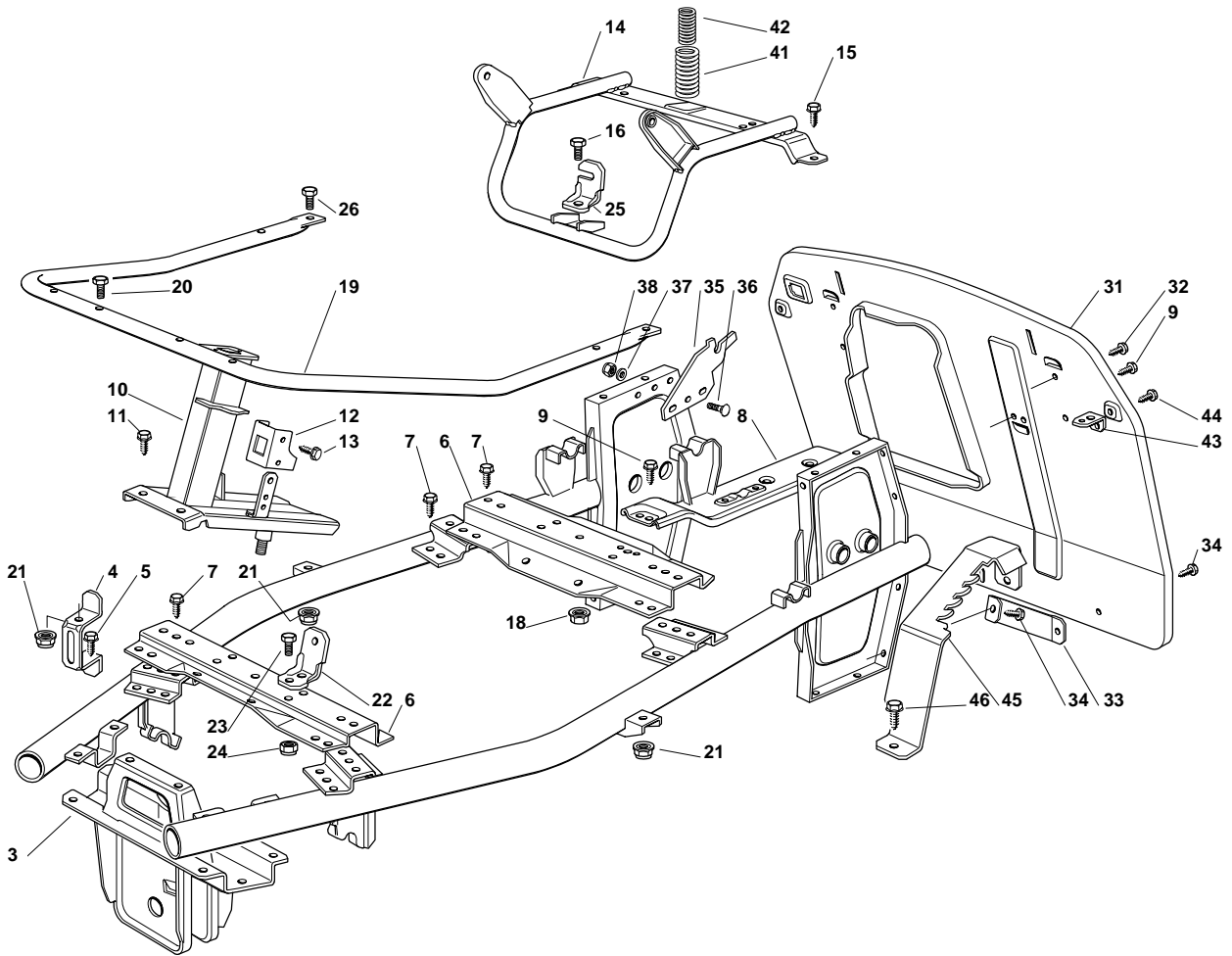


Genuine Spare Parts

SR 6365 E



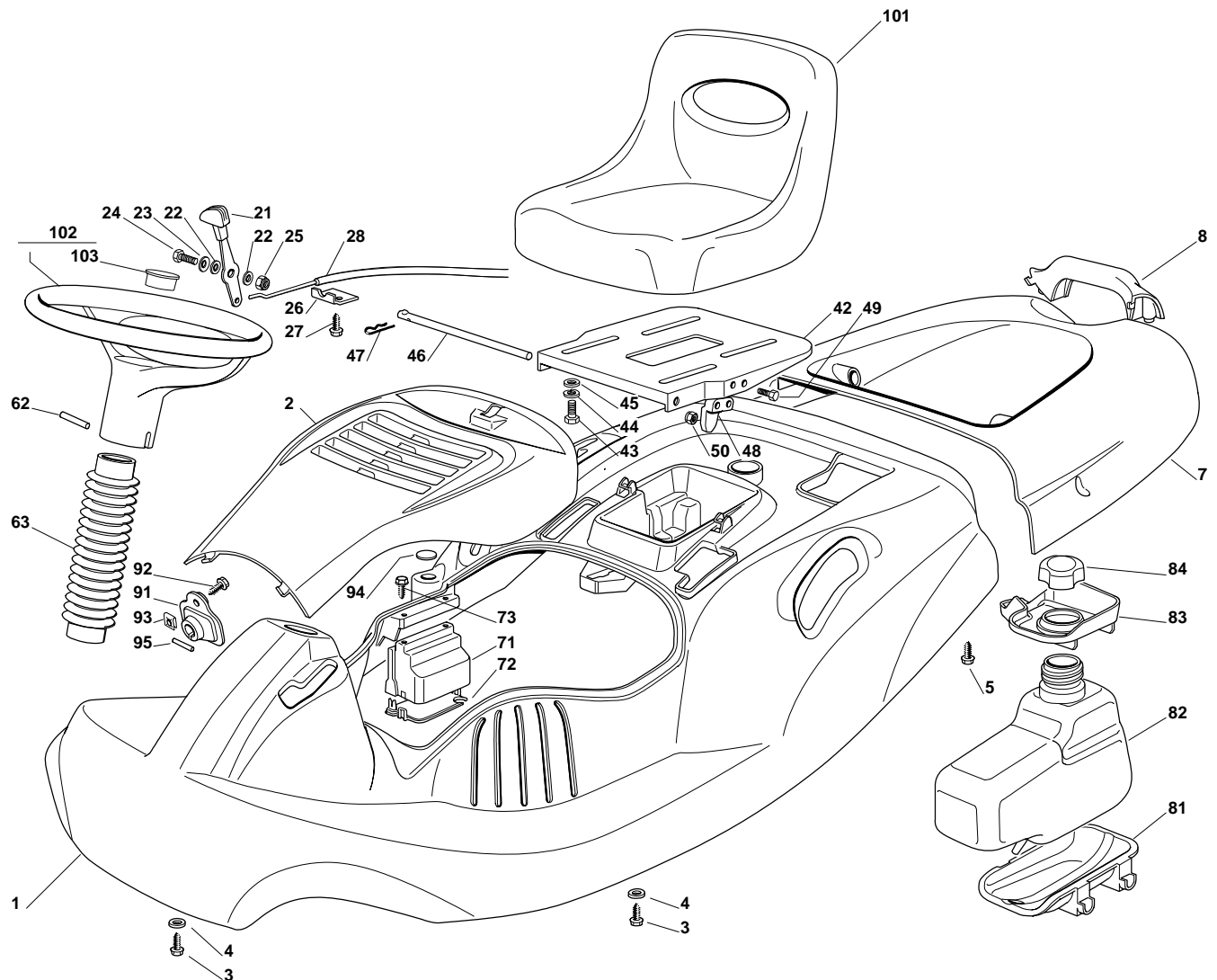


Pos. Fig.	Antal Quantity	Art No Part No	Benämning	Description	Anmärkning Notes
3	1	84783015/1	Stöd	Support	
4	2	27772121/0	Klämma	Clamp	
5	6	12735121/0	Skruv	Screw	
6	2	27650115/1	Trådbygel	Stiffening	
7	10	12735121/0	Skruv	Screw	
8	1	84650105/0	Reduktion	Stiffening	
9	4	12735121/0	Skruv	Screw	
10	1	84783037/0	Support	Support	
11	6	12735121/0	Skruv	Screw	
12	1	27772095/0	Klämma	Clamp	
13	2	12735105/0	Skruv	Screw	
14	1	84801117/1	Support	Support	
15	2	12735121/0	Skruv	Screw	
16	1	12793701/0	Skruv	Screw	
18	1	12293201/0	Mutter	Nut	
19	1	27869057/0	Support	Support	
20	2	12792099/0	Skruv	Screw	
21	4	12154510/0	Mutter	Nut	
22	1	27773077/0	Fästvinkel	Angle Bracket	
23	1	12791011/0	Skruv	Screw	
24	1	12154510/0	Mutter	Nut	
25	1	27753081/0	Fästvinkel	Angle Bracket	
26	2	12791500/0	Skruv	Screw	
31	1	84545061/0	Platta	Rear Plate	
32	4	12735121/0	Skruv	Screw	
33	2	27650111/0	Reduktion	Stiffening	
34	4	12735121/0	Skruv	Screw	
35	2	27772131/0	Klämma	Clamp	
36	2	12818690/0	Skruv	Screw	
37	2	12521350/0	Bricka	Washer	
38	2	12155000/0	Mutter	Nut	



SR 6365 E - Model Year 2009

Pos. Fig.	Antal Quantity	Art No Part No	Benämning	Description	Anmärkning Notes
41	1	27430567/0	Fjäder	Spring	
42	1	27430569/1	Fjäder	Spring	
43	2	27753073/0	Fästvinkel	Angle Bracket	
44	2	12729600/0	Skruv	Screw	
45	1	27734059/0	Sektor	Rack	
46	2	12735121/0	Skruv	Screw	

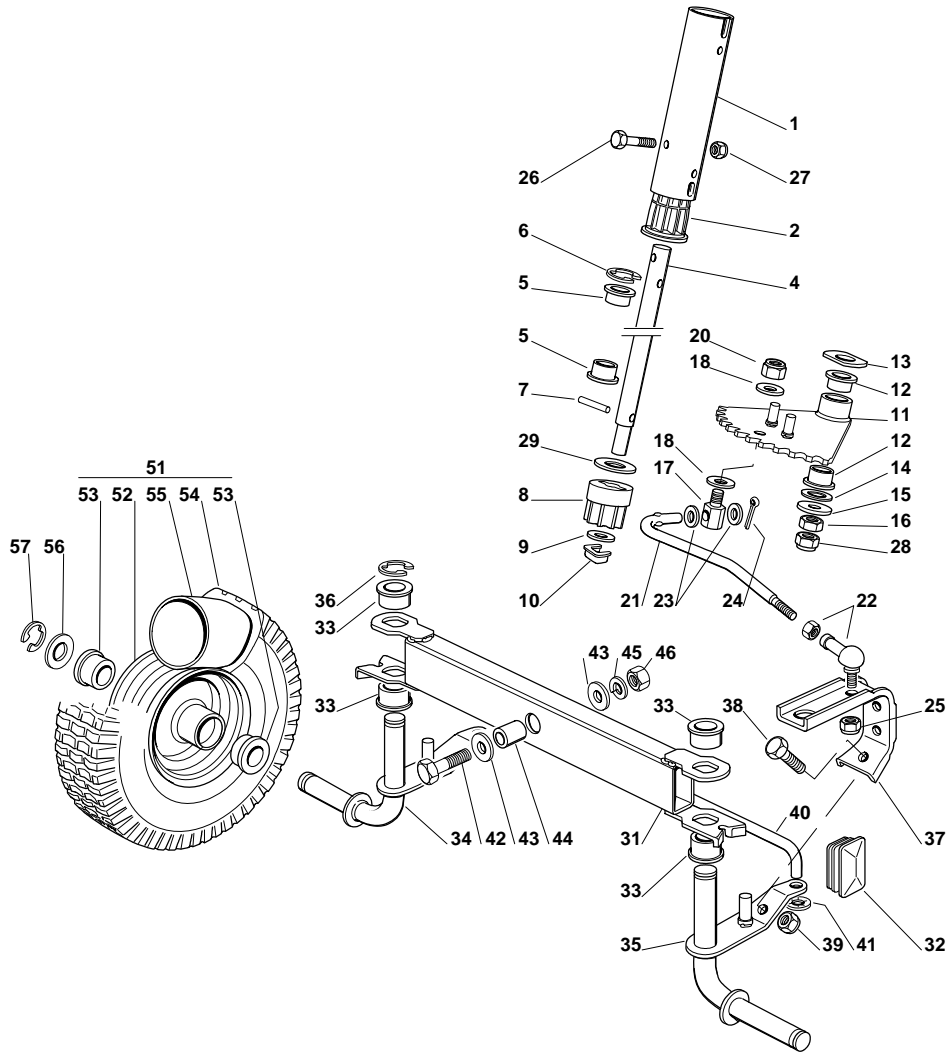


Pos. Fig.	Antal Quantity	Art No Part No	Benämning	Description	Anmärkning Notes
1	1	27110371/0	Kåpa	Wheels Cover Yellow	SR 6365E
1	1	27110417/0	Kåpa	Wheels Cover Yellow	SR 6365
2	1	27110372/0	Kåpa	Engine Cover Yellow	SR 6365E - SR 6365
3	4	12735410/0	Skruv	Screw	
4	4	12523040/0	Bricka	Washer	
5	2	12735402/0	Skruv	Screw	
7	1	27110398/0	Kåpa	Grass-Catcher Cover, Black	SR 6365E - SR 6365
8	1	27394000/0	Handtag	Handle	
21	1	81007280/2	Gasarm	Lever, Throttle	
22	2	12523040/0	Bricka	Washer	
23	1	12530060/0	Bricka	Elastic Washer	
24	1	12791500/0	Skruv	Screw	
25	1	12154510/0	Mutter	Nut	
26	1	22981467/0	Plåt	Plate	
27	2	12735105/0	Skruv	Screw	
28	1	84000253/1	Gaswire	Cable, Trottle	
42	1	27546039/1	Support	Support	
43	4	12793101/0	Skruv	Screw	
44	4	12583500/0	Låsbricka	Grower	
45	4	12523060/0	Bricka	Washer	
46	1	27864052/0	Sprint	Pin	
47	1	24487997/0	Låsnål	Cotter Pin	
48	1	27063021/1	Fäste	Cam	
49	2	12789100/0	Skruv	Screw	
50	2	12154330/0	Mutter	Nut	
62	1	12620305/0	Stift	Pin	
63	1	27600114/1	Skydd	Guard	SR 6365E - SR 6365
71	1	27600119/0	Skydd-röd	Guard	
72	1	27600118/0	Skydd-röd	Guard	
73	2	12727810/0	Skruv	Screw	
81	1	27787057/0	Stöd	Support	



SR 6365 E - Model Year 2009

Pos. Fig.	Antal Quantity	Art No Part No	Benämning	Description	Anmärkning Notes
82	1	27733002/1	Tank	Tank	
83	1	27600113/0	Skydd	Guard	
84	1	27790000/1	Lock	Cap	
91	1	27790010/1	Lock	Cap	SR 6365
92	1	12735598/0	Skruv	Screw	SR 6365
93	1	12437503/0	Mutter	Nut	SR 6365
94	1	14358731/0	Dekal	Label	SR 6365
95	1	12622651/0	Stift	Pin	SR 6365
101	1	25722453/1	Seat	Seat	SR 6365E - SR 6365
102	1	27961230/0		Steering Wheel	SR 6365E - SR 6365
103	1	25120230/0	Lock	Cap	

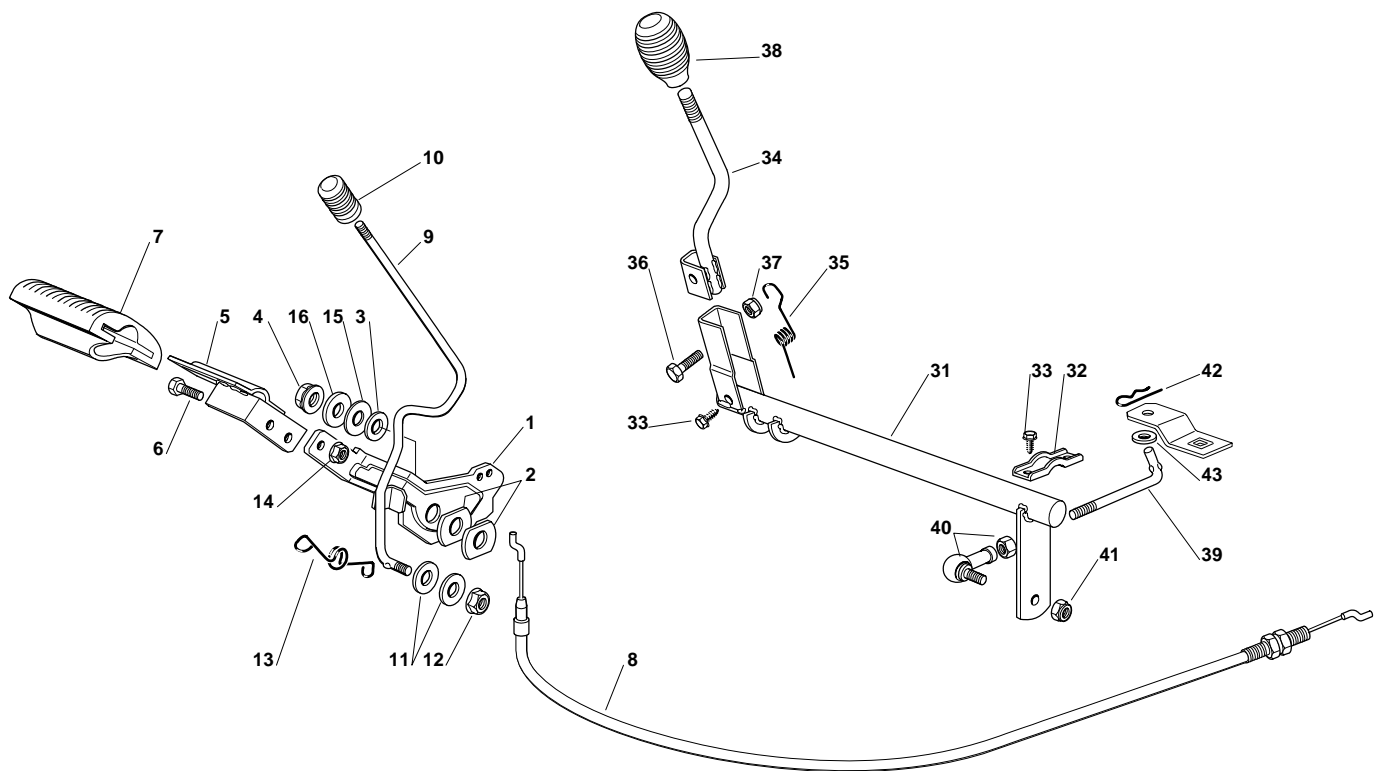


Pos. Fig.	Antal Quantity	Art No Part No	Benämning	Description	Anmärkning Notes
1	1	27340305/1		Colum Extension	
2	1	27047005/1	Bussning	Bush	
4	1	27520052/0	Steering Column	Steering Column	
5	2	27047004/0	Bussning	Bush	
6	1	12001010/0	Låsring	Snap Ring	
7	1	12622650/0	Stift	Pin	
8	1	27570050/0	Drev	Pinion	
9	1	12521370/0	Bricka	Washer	
10	1	12436030/0	Platta	Plate	
11	1	84735553/1	Ringdrev	Ring Gear	
12	2	27047004/0	Bussning	Bush	
13	1	27670054/0	Bricka	Washer	
14	1	22672152/0	Bricka	Washer	
15	1	12523070/0	Bricka	Washer	
16	1	12293200/0	Mutter	Nut	
17	1	25510056/0	Sprint	Pin	
18	2	25670008/1	Bricka	Washer	
20	1	12156602/0	Mutter	Nut	
21	1	27034066/2	Länk	Rod	
22	1	22746601/0	Ledkåpa, vä+hö	Joint	
23	2	25670008/1	Bricka	Washer	
24	1	12141418/0	Låsnål	Cotter Pin	
25	1	12155000/0	Mutter	Nut	
26	2	12689515/0	Skruv	Screw	
27	2	12154510/0	Mutter	Nut	
28	1	12155000/0	Mutter	Nut	
29	1	27670054/0	Bricka	Washer	
31	1	84034059/0	Equalizer	Equalizer	
32	2	18737852/0	Lock	Cap	
33	4	27047004/0	Bussning	Bush	
34	1	84230405/0	Right Stub Axle	Right Stub Axle	

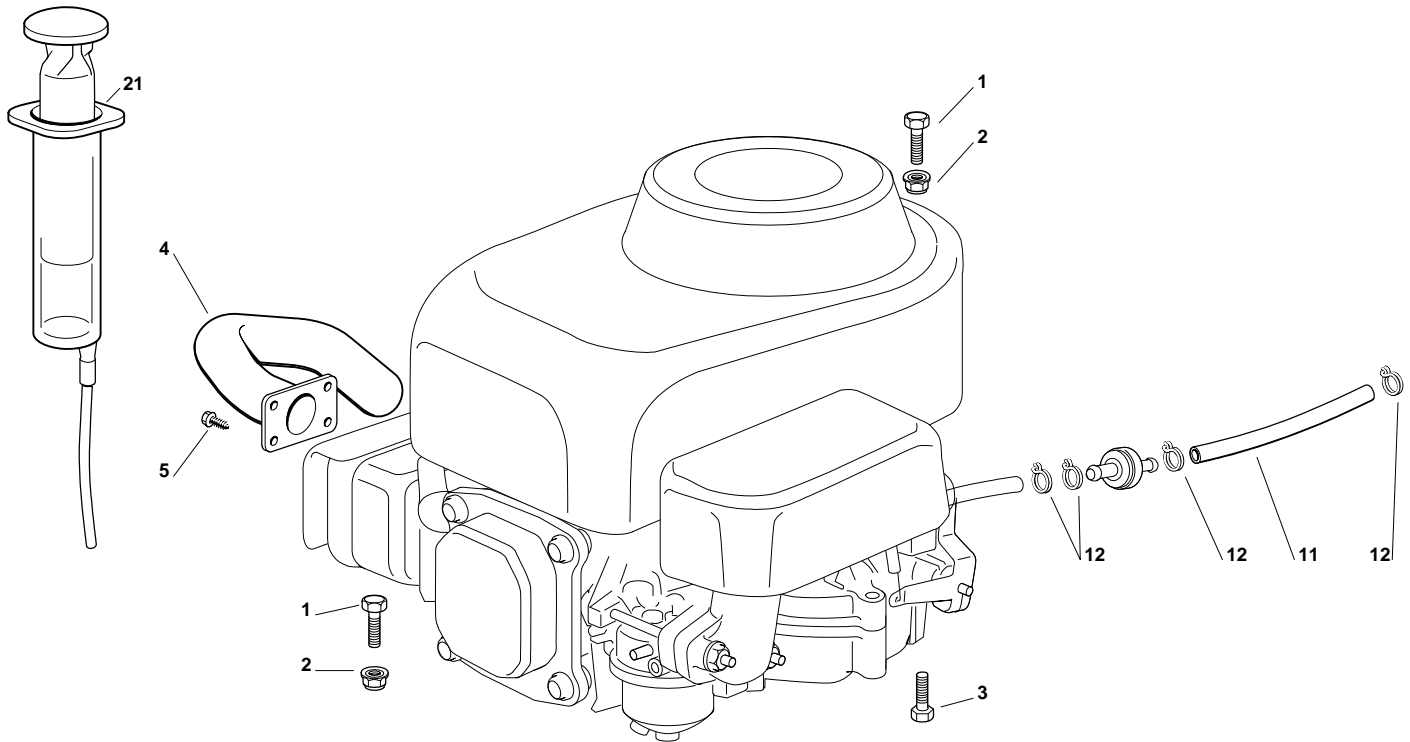


SR 6365 E - Model Year 2009

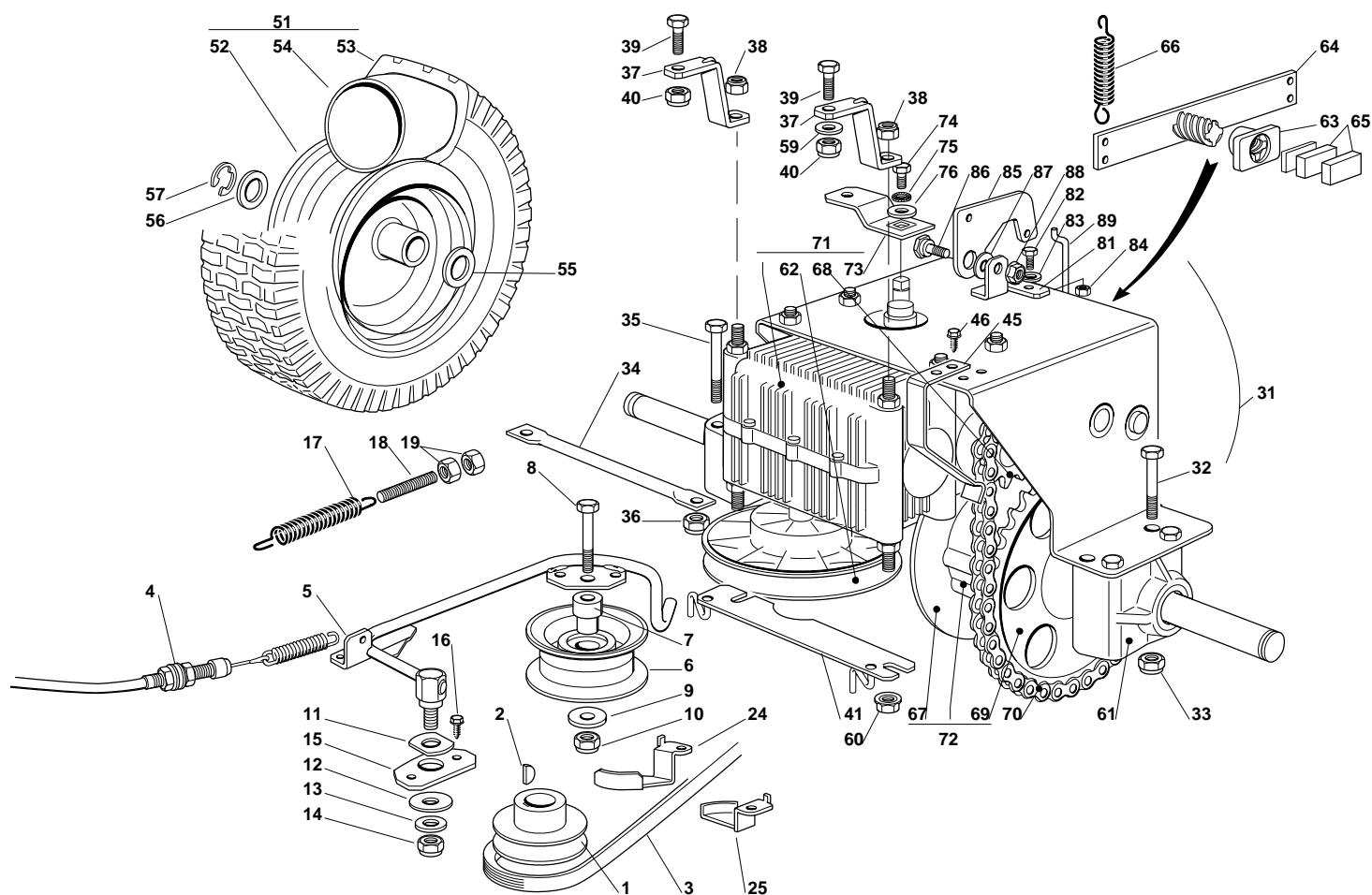
Pos. Fig.	Antal Quantity	Art No Part No	Benämning	Description	Anmärkning Notes
35	1	84230407/0	Left Stub Axle	Left Stub Axle	
36	1	12000970/0	Låsring	Snap Ring	
37	1	27787041/0	Stöd	Support	
38	1	12793102/0	Skruv	Screw	
39	1	12155000/0	Mutter	Nut	
40	1	27840051/0	Stång	Tie Rod	
41	2	12604899/0	Låsbricka	Crown Fastener	
42	1	12692695/0	Skruv	Screw	
43	2	12523100/0	Bricka	Washer	
44	1	25160016/0	Distans	Spacer	
45	1	12587100/0	Grower	Grower	
46	1	12295300/0	Mutter	Nut	
51	2	84680056/1	Framhjul Kpl	Front Wheel	
52	1	84044002/0	Rimm	Rimm	
53	4	27045070/0	Bussning	Bush	
54	1	27590058/0		Shoe	
55	1	27590056/0	Innerslang	Inner Tube	
56	2	12521390/0	Bricka	Washer	
57	2	12000970/0	Låsring	Snap Ring	



Pos. Fig.	Antal Quantity	Art No Part No	Benämning	Description	Anmärkning Notes
1	1	27500051/0	Pedal	Pedal	
2	2	27670054/0	Bricka	Washer	
3	1	12521350/0	Bricka	Washer	
4	1	12154210/0	Mutter	Nut	
5	1	84503005/0	Pedal Upper	Pedal Upper	
6	2	12791200/0	Skruv	Screw	
7	1	25110269/0	Clamp Cover	Clamp Cover	
8	1	84207105/0	Kabel	Cable	
9	1	27034064/1	Länk	Rod	
10	1	27395050/1	Knopp	Knob	
11	2	25670011/0	Bricka	Washer	
12	1	12154210/0	Mutter	Nut	
13	1	27430564/0	Fjäder	Spring	
14	2	12292102/0	Mutter	Nut	
15	1	27670055/0	Bricka	Washer	
16	1	12523060/0	Bricka	Washer	
31	1	84001021/0	Axel	Axle	
32	2	27546015/1	Plåt	Plate	
33	5	12729600/0	Skruv	Screw	
34	1	84317071/0	Arm	Gearshift	
35	1	27430570/1	Fjäder	Spring	
36	1	12674700/0	Skruv	Screw	
37	1	12154510/0	Mutter	Nut	
38	1	25394510/0	Knopp	Knob	
39	1	27034063/0	Länk	Rod	
40	1	22746601/0	Ledklåpa, vä+hö	Joint	
41	1	12155000/0	Mutter	Nut	
42	1	24487997/0	Låsnål	Cotter Pin	
43	1	25670011/0	Bricka	Washer	



Pos. Fig.	Antal Quantity	Art No Part No	Benämning	Description	Anmärkning Notes
1	3	12691200/0	Skruv	Screw	
2	3	12154210/0	Mutter	Nut	
3	1	12691100/0	Skruv	Screw	
4	1	18738201/0	Avgasrör	Exauste Tube	
5	4	12735111/0	Skruv	Screw	
11	1	25869035/1	Kabelhållare	Fair Led	
12	2	18375051/1	Slangklämman	Fair Led	
21	1	18718000/0	Oljepump	Syringe	

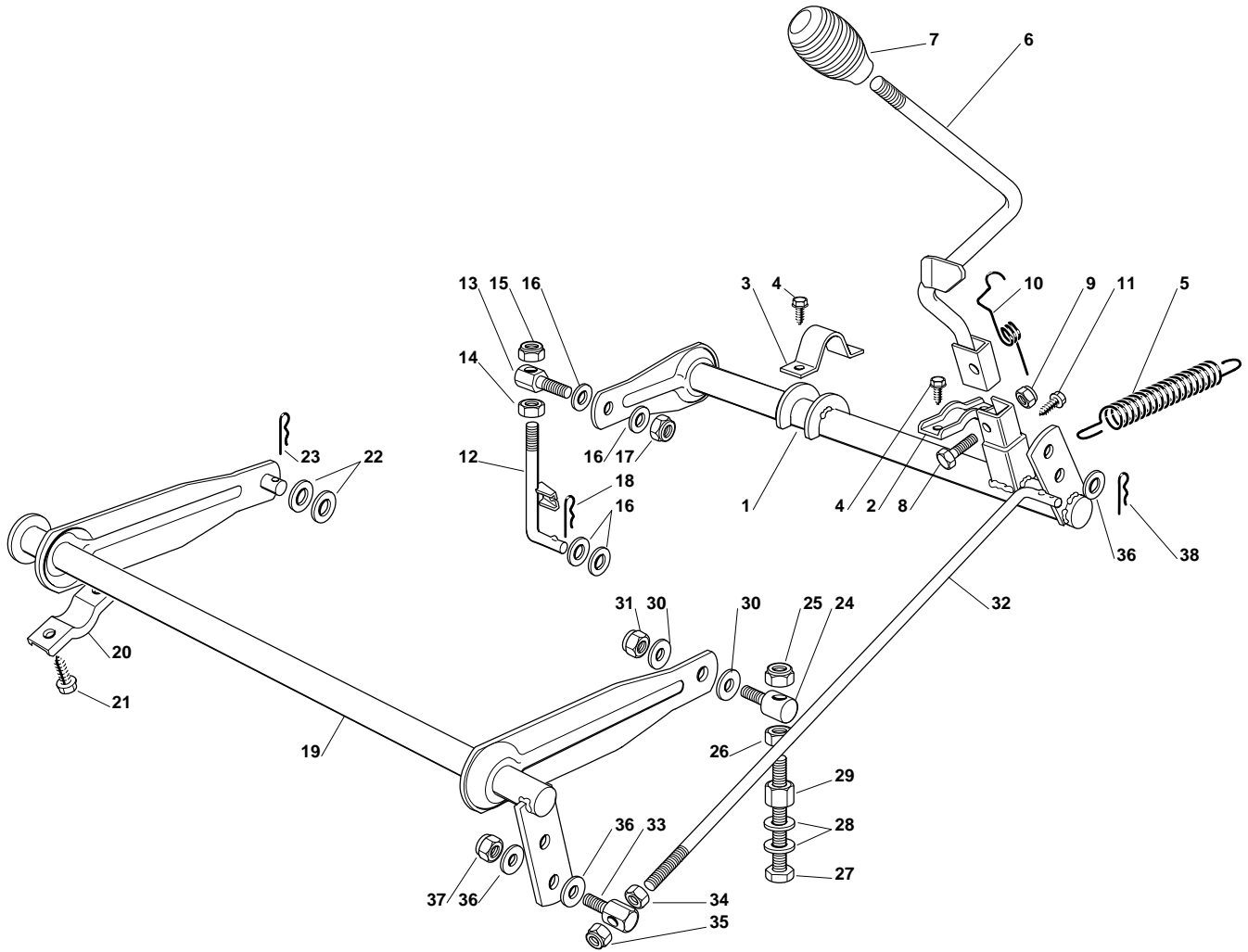


Pos. Fig.	Antal Quantity	Art No Part No	Benämning	Description	Anmärkning Notes
1	1	27604006/2	Remskiva	Pulley	
2	1	12139100/0	Kil	Key	
3	1	35061406/0	Drivrem	Belt	
4	1	84207103/2	Kabel	Cable	
5	1	84317077/0	Arm	Lever	
6	1	27604007/0	Remskiva	Pulley	
7	1	27047007/0	Bussning	Bush	
8	1	12691200/0	Skruv	Screw	
9	1	12523060/0	Bricka	Washer	
10	1	12155000/0	Mutter	Nut	
11	1	27670054/0	Bricka	Washer	
12	1	12523070/0	Bricka	Washer	
13	1	25670011/0	Bricka	Washer	
14	1	12155000/0	Mutter	Nut	
15	1	27546029/0	Pått	Plate	
16	2	12735121/0	Skruv	Screw	
17	1	25430219/0	Fjäder	Spring	
18	1	25840005/0	Stång	Tie Rod	
19	2	12293200/0	Mutter	Nut	
24	1	27546041/0	Pått	Plate	
25	1	27546043/0	Pått	Plate	
31	1	18400970/1	Växelhus-gul	Transmission Unit	
32	3	12692050/0	Skruv	Screw	
33	4	12154210/0	Mutter	Nut	
34	1	27840053/0	Reduktion	Stiffening	
35	1	25943001/0	Skruv	Screw	
36	2	12155000/0	Mutter	Nut	
37	2	27650119/0	Reduktion	Stiffening	
38	2	12155000/0	Mutter	Nut	
39	1	12793701/0	Skruv	Screw	
40	1	12293201/0	Mutter	Nut	



SR 6365 E - Model Year 2009

Pos. Fig.	Antal Quantity	Art No Part No	Benämning	Description	Anmärkning Notes
41	1	84250051/0	Remstyrning	Belt Guide	
45	1	84394830/0	Fjäder	Spring	
46	2	12735104/0	Skruv	Screw	
51	2	84680057/1	Stödhjul	Rear Wheel	
52	2	84044005/0	Rimm	Rimm	
53	2	27590059/0		Shoe	
54	2	27590057/0	Innerslang	Inner Tube	
55	2	12521410/0	Bricka	Washer	
56	2	25670005/1	Bricka	Washer	
57	2	12001010/0	Låsring	Snap Ring	
59	1	12523070/0	Bricka	Washer	
60	2	12293201/0	Mutter	Nut	
61	3	19700056/0	Bussning	Bush	
62	1	19700050/0	Remskiva	Pulley	
63	1	19700051/0	Nut Screw	Nut Screw	
64	1	19700053/0	Arm	Lever With Screw	
65	2	19700052/0	Pad	Pad	
66	1	19700048/0	Fjäder	Spring	
67	1	19700054/0	Bromskåpa	Brake Disc	
68	1	19700049/0	Drev	Pinion	
69	1	19700055/0	Drev	Sprocket	
70	1	19700047/0	Kedja	Chain	
71	1	18400972/0	Växelhuss kpl	Gear Box (With 62, 68, 73)	
72	1	18400971/0	Differential (With 67, 69)	Differential (With 67, 69)	
73	1	27315105/0	Arm	Gearshift	
74	1	12791011/0	Skruv	Screw	
75	1	12540040/0	Bricka	Washer	
76	1	22680009/0	Bricka	Washer	
81	1	27753079/0	Fästvinkel	Angle Bracket	
82	2	112791200/1	Skruv	Screw	
83	2	12523040/0	Bricka	Washer	
84	2	12292102/0	Mutter	Nut	
85	1	27772145/0	Klämman	Clamp	
86	1	22524970/2	Sprint	Pin	
87	1	25670011/0	Bricka	Washer	
88	1	12154210/0	Mutter	Nut	
89	1	27034076/0	Länk	Rod	

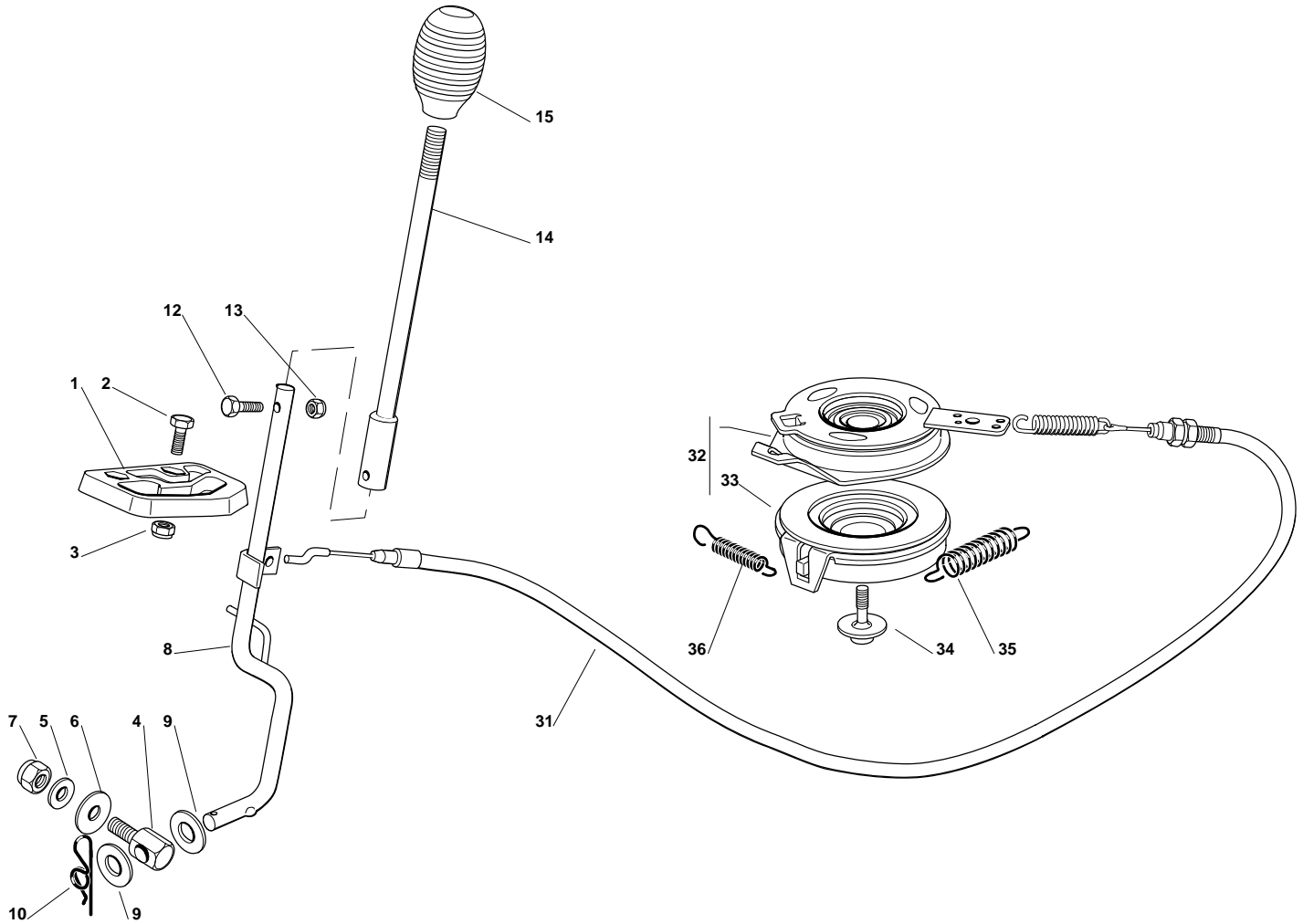


Pos. Fig.	Antal Quantity	Art No Part No	Benämning	Description	Anmärkning Notes
1	1	84001017/0	Axel	Axle	
2	1	27546015/1	Plåt	Plate	
3	1	25547037/1	Plåt	Plate	
4	4	12729600/0	Skruv	Screw	
5	1	27430568/0	Fjäder	Spring	
6	1	84317075/0	Arm	Gearshift	
7	1	25394510/0	Knopp	Knob	
8	1	12674700/0	Skruv	Screw	
9	1	12154510/0	Mutter	Nut	
10	1	27430574/0	Fjäder	Spring	
11	1	12729600/0	Skruv	Screw	
12	1	84002073/0	Stång	Rod	
13	1	25510056/0	Sprint	Pin	
14	1	12295200/0	Mutter	Nut	
15	1	12156602/0	Mutter	Nut	
16	4	25670008/1	Bricka	Washer	
17	1	12156602/0	Mutter	Nut	
18	1	24487997/0	Låsnål	Cotter Pin	
19	1	84001019/0	Axel	Axle	
20	2	27546015/1	Plåt	Plate	
21	4	12731350/0	Skruv	Screw	
22	2	25670008/1	Bricka	Washer	
23	1	24487997/0	Låsnål	Cotter Pin	
24	1	25510007/1	Sprint	Pin	
25	1	12156602/0	Mutter	Nut	
26	1	12295200/0	Mutter	Nut	
27	1	12794970/0	Skruv	Screw	
28	2	12521360/0	Bricka	Washer	
29	1	12154250/0	Mutter	Nut	
30	2	25670008/1	Bricka	Washer	
31	1	12156602/0	Mutter	Nut	

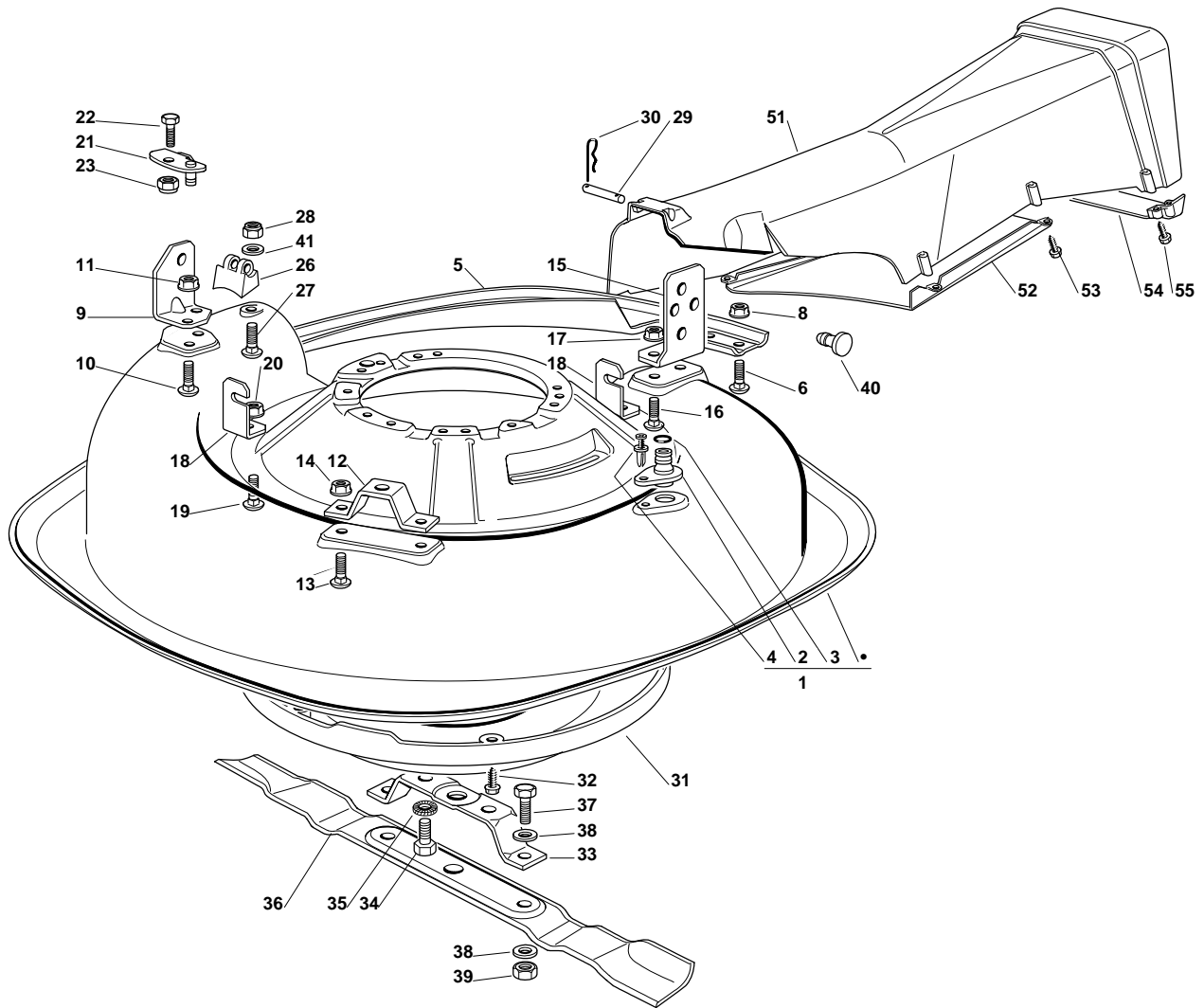


SR 6365 E - Model Year 2009

Pos. Fig.	Antal Quantity	Art No Part No	Benämning	Description	Anmärkning Notes
32	1	27034065/0	Länk	Rod	
33	1	25510040/1	Sprint	Pin	
34	1	12293200/0	Mutter	Nut	
35	1	12155000/0	Mutter	Nut	
36	3	25670011/0	Bricka	Washer	
37	1	12155000/0	Mutter	Nut	
38	1	24487997/0	Låsnål	Cotter Pin	



Pos. Fig.	Antal Quantity	Art No Part No	Benämning	Description	Anmärkning Notes
1	1	27487001/0	Glidblock	Shoe	
2	2	12791200/0	Skruv	Screw	
3	2	12154510/0	Mutter	Nut	
4	1	27510107/0	Sprint	Pin	
5	1	25670011/0	Bricka	Washer	
6	1	22672152/0	Bricka	Washer	
7	1	12155000/0	Mutter	Nut	
8	1	84317073/1	Arm	Gearshift	
9	2	21660100/0	Bricka	Washer	
10	1	24487998/0	Låsnål	Cotter Pin	
12	1	12789020/0	Skruv	Screw	
13	1	12154330/0	Mutter	Nut	
14	1	84317079/0	Arm	Gearshift	
15	1	25394510/0	Knopp	Knob	
31	1	84207104/1	Kabel	Cable	
32	1	18399065/1	Koppling kpl	Mechanical Clutch	
33	1	18399066/1	Mechanical Clutch	Mechanical Clutch	
34	1	12735460/0	Skruv	Screw	
35	1	27430579/0	Fjäder	Spring	
36	1	22450110/0	Fjäder	Spring	

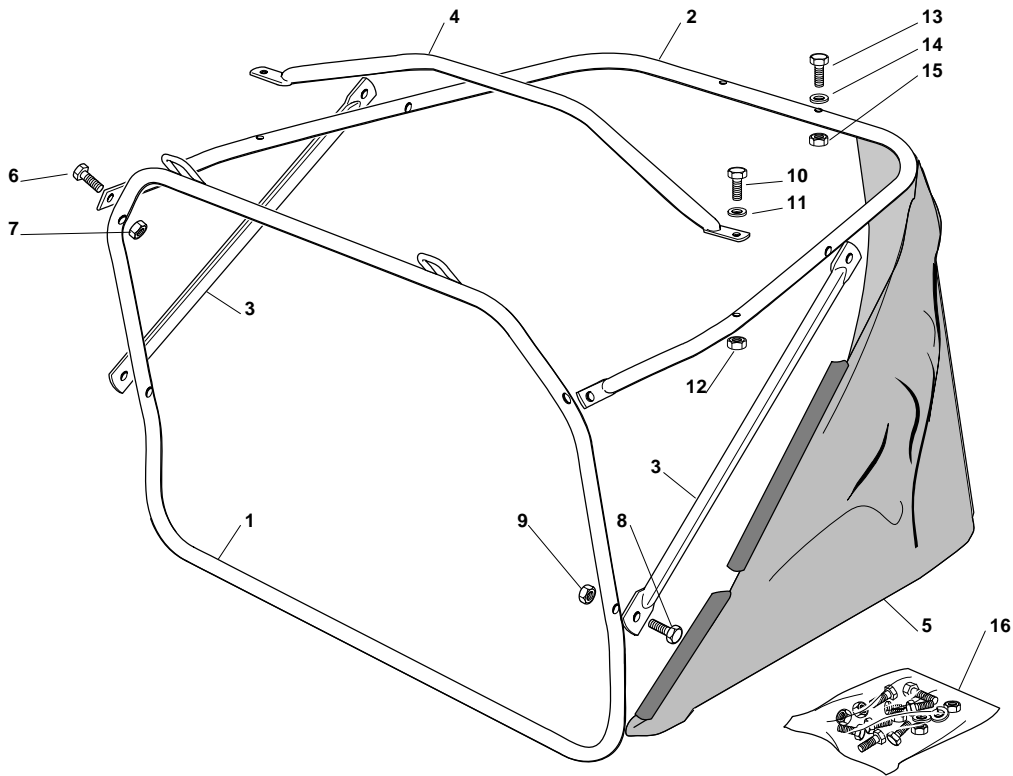


Pos. Fig.	Antal Quantity	Art No Part No	Benämning	Description	Anmärkning Notes
1	1	384564095/1	Cutting Plate, Black	Cutting Plate, Black	
2	1	25033060/0	Water Hose Connection	Water Hose Connection	
3	1	19035000/0	O-ring	Or Ring	
4	1	12500030/0	Rivet	Rivet	
5	1	84650103/0	Reduktion	Stiffening	
6	4	12815200/0	Skruv	Screw	
8	4	12292102/0	Mutter	Nut	
9	1	27772119/0	Klämma	Clamp	
10	2	12818690/0	Skruv	Screw	
11	2	12293201/0	Mutter	Nut	
12	1	27772133/0	Klämma	Clamp	
13	2	12818690/0	Skruv	Screw	
14	2	12293201/0	Mutter	Nut	
15	1	327772127/2	Fäste	Clamp	
16	2	12818690/0	Skruv	Screw	
17	2	12293201/0	Mutter	Nut	
18	2	27753071/0	Fästvinkel	Angle Bracket	
19	2	12818690/0	Skruv	Screw	
20	2	12293201/0	Mutter	Nut	
21	1	84545063/0	Plåt	Plate	
22	1	12792611/0	Skruv	Screw	
23	1	12155000/0	Mutter	Nut	
26	1	27230200/2	Hake	Hook	
27	1	12815210/0	Skruv	Screw	
28	1	12154510/0	Mutter	Nut	
29	1	27510097/1	Sprint	Pin	
30	2	24487997/0	Låsnål	Cotter Pin	
31	1	27600122/0	Skydd	Guard	
32	5	12728530/0	Skruv	Screw	
33	1	27787045/1	Support	Bracket	
34	2	12794110/0	Skruv	Screw	

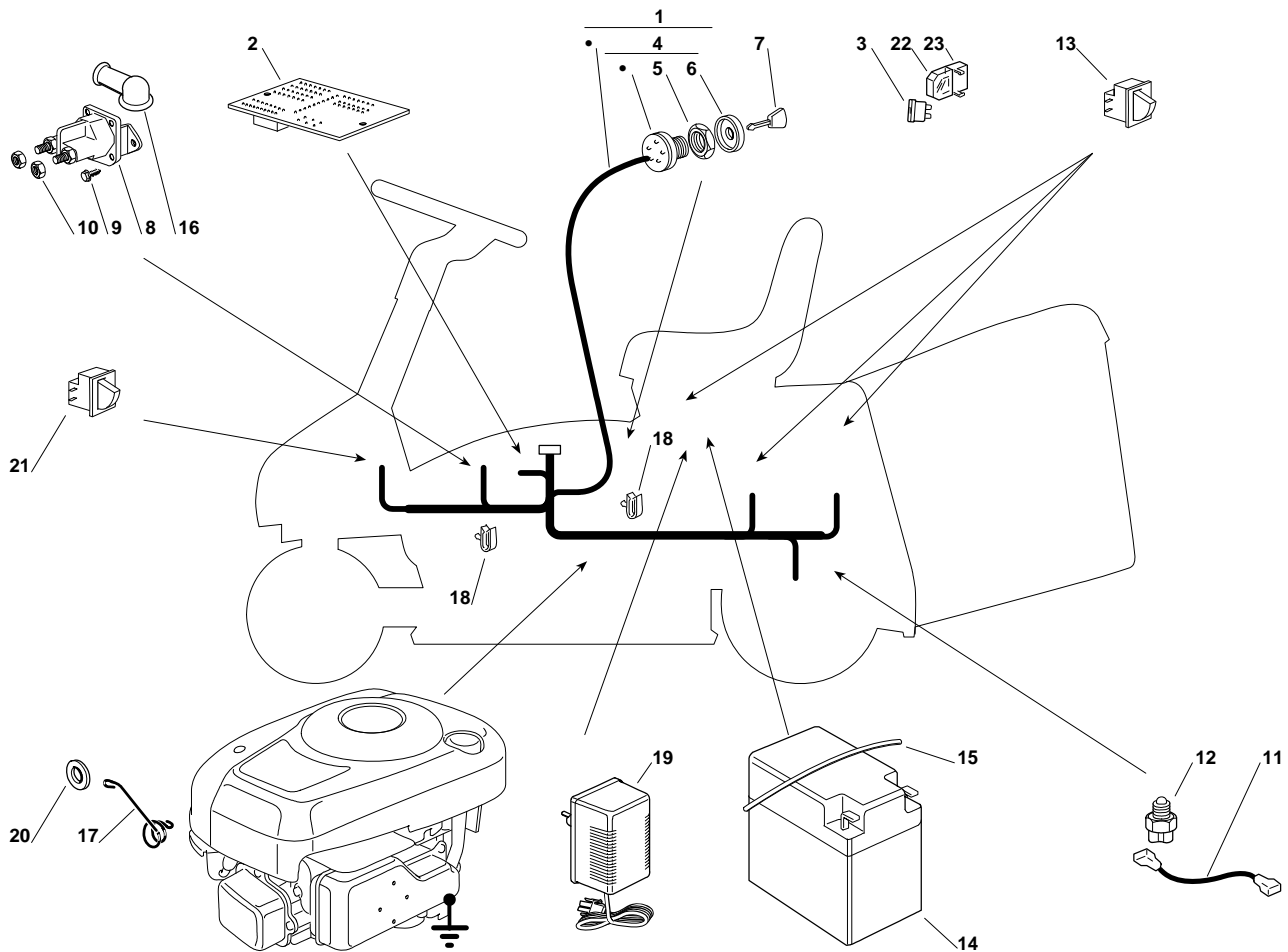


SR 6365 E - Model Year 2009

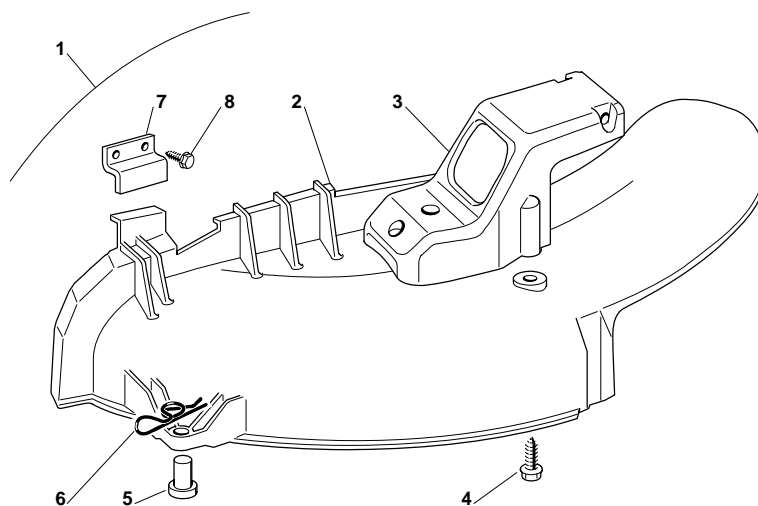
Pos. Fig.	Antal Quantity	Art No Part No	Benämning	Description	Anmärkning Notes
35	2	12540070/0	Bricka	Washer	
36	1	84109504/0	Kniv	Blade	
37	2	12793102/0	Skruv	Screw	
38	4	12523060/0	Bricka	Washer	
39	2	12155010/0	Mutter	Nut	
40	1	27275000/0	Hylsa	Grommet	
41	1	12521330/0	Bricka	Washer	
51	1	27107502/0	Inmatningstratt	Conveyor	
52	1	327140056/0	Deflektor	Deflector	
53	5	12735402/0	Skruv	Screw	
54	1	27650120/0	Reduktion	Stiffening	
55	2	12735410/0	Skruv	Screw	



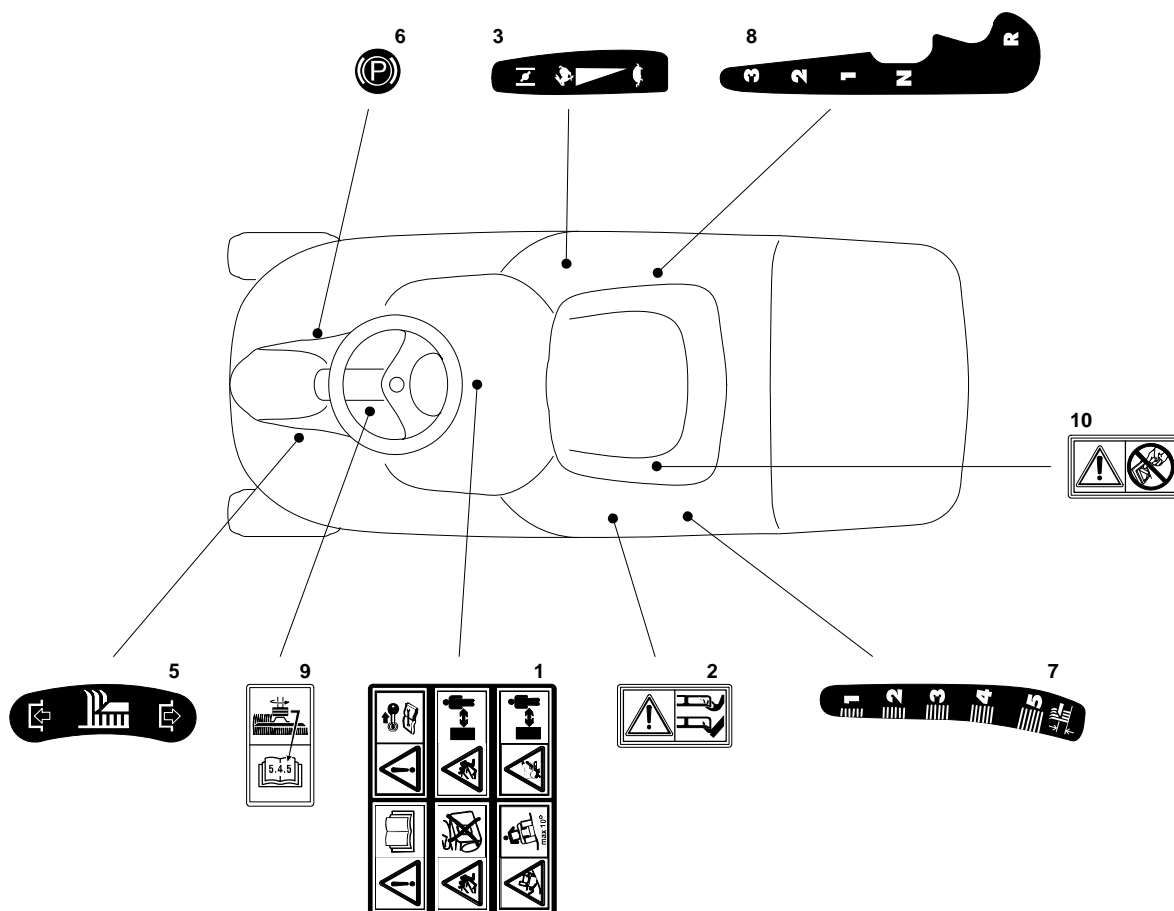
Pos. Fig.	Antal Quantity	Art No Part No	Benämning	Description	Anmärkning Notes
1	1	84801121/0	Chassi	Front Frame	
2	1	84801119/0	Chassi	Upper Frame	
3	2	27650117/0	Reduktion	Stiffening	
4	1	84394051/0	Handtag	Handle	
5	1	184106068/0	Uppsamlare	Grasscatcher	
6	2	12789020/0	Skruv	Screw	
7	2	12154330/0	Mutter	Nut	
8	4	12789020/0	Skruv	Screw	
9	4	12154330/0	Mutter	Nut	
10	2	12789210/0	Skruv	Screw	
11	2	12521331/0	Bricka	Washer	
12	2	12154330/0	Mutter	Nut	
13	2	12674530/0	Skruv	Screw	
14	2	12521331/0	Bricka	Washer	
15	2	12154330/0	Mutter	Nut	
16	1	84180186/0	Skruvsats	Screws Outfit (6÷15)	



Pos. Fig.	Antal Quantity	Art No Part No	Benämning	Description	Anmärkning Notes
1	1	84040123/1	Kabel	Cables	
2	1	27722354/0	Electronic Card	Electronic Card	
3	1	33340040/0	Säkring	Fuse 10 A	
4	1	18450065/1	Brytare	Starting Switch	
5	1	18400861/0	Ringmutter	Ringnut	
6	1	18565351/0	Hus	Ringnut Protection	
7	1	18210016/1	Starting Key	Starting Key	
8	1	18736111/0	Starter Relay	Starter Relay	
9	2	12735110/0	Skruv	Screw	
10	2	12360352/0	Mutter	Nut	
11	1	27065060/0	Kabel	Cable	
12	1	19700046/0	Brytare	Gearbox Switch	
13	3	19410606/0	Micro	Micro	
14	1	18120004/0	Batteri	Battery	
15	1	27430572/0	Fjäder	Spring	
16	1	18564861/1	Tätningshylsa	Protection	
17	1	27430557/0	Fjäder	Spring	
18	5	33320506/0	Kabelhållare	Fairlead	
19	1	82180051/0	Batteriladdare	Battery Charger	
19	1	82180053/0	Batteriladdare	Battery Charger (UK)	
20	1	12523020/0	Bricka	Washer	
21	1	119410612/1	Brytare	Microswitch	
22	1	33215000/0	Kåpa	Cover	
23	1	33500007/0	Säkring	Fuse Carrier	

SR 6365 E - Model Year 2009


Pos. Fig.	Antal Quantity	Art No Part No	Benämning	Description	Anmärkning Notes
1	1	99900035/0	Mulching Kit	Mulching Kit	
2	1	27140052/0	Deflektor	Deflector	
3	1	27230201/0	Vridpunkt	Fulcrum	
4	3	12735410/0	Skruv	Screw	
5	1	25510022/0	Sprint	Pin	
6	1	24487998/0	Låsnål	Cotter Pin	
7	1	27772139/0	Klämma	Clamp	
8	2	12735110/0	Skruv	Screw	



Pos. Fig.	Antal Quantity	Art No Part No	Benämning	Description	Anmärkning Notes
1	1	114357428/1	Dekal	Label	
2	1	114356699/1	Dekal	Label	
3	1	14358415/0	Dekal	Label	
5	1	14358418/0	Dekal	Label	
6	1	14358460/0	Dekal	Label	
7	1	14358417/0	Dekal	Label	
8	1	14358416/0	Dekal	Label	
9	1	114358654/1	Dekal	Label	
10	1	14360118/0	Dekal	Label	