

Parts Catalogue

for model
TCR 102 Hydro

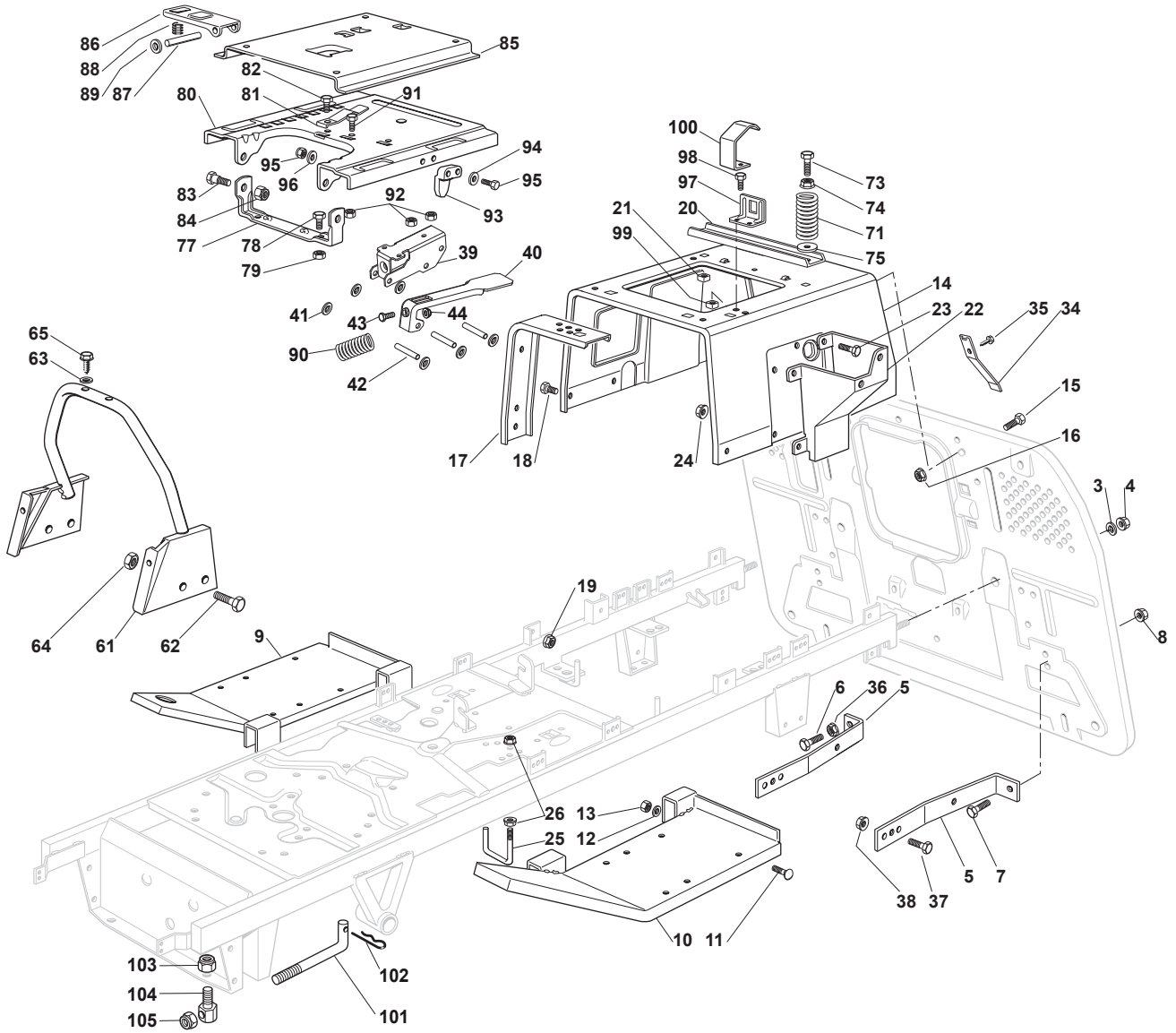
- Use GLOBAL GARDEN PRODUCT Genuine Spare Parts specified in the parts list for repair and/or replacement.
- The contents described in the parts list may change due to improvement.
- The drawings of the spare parts are only indicative and might not represent the part in question exactly.
- The indications "right" - "left" - "front" - "rear" refer to the position of the operator when using the machine.
- When placing orders of parts for repair and/or replacement, make sure that the illustrated parts list is the one applying to the machine's year of manufacture, as shown on the identification plate attached to the machine.

© Copyright 2016 Global Garden Products

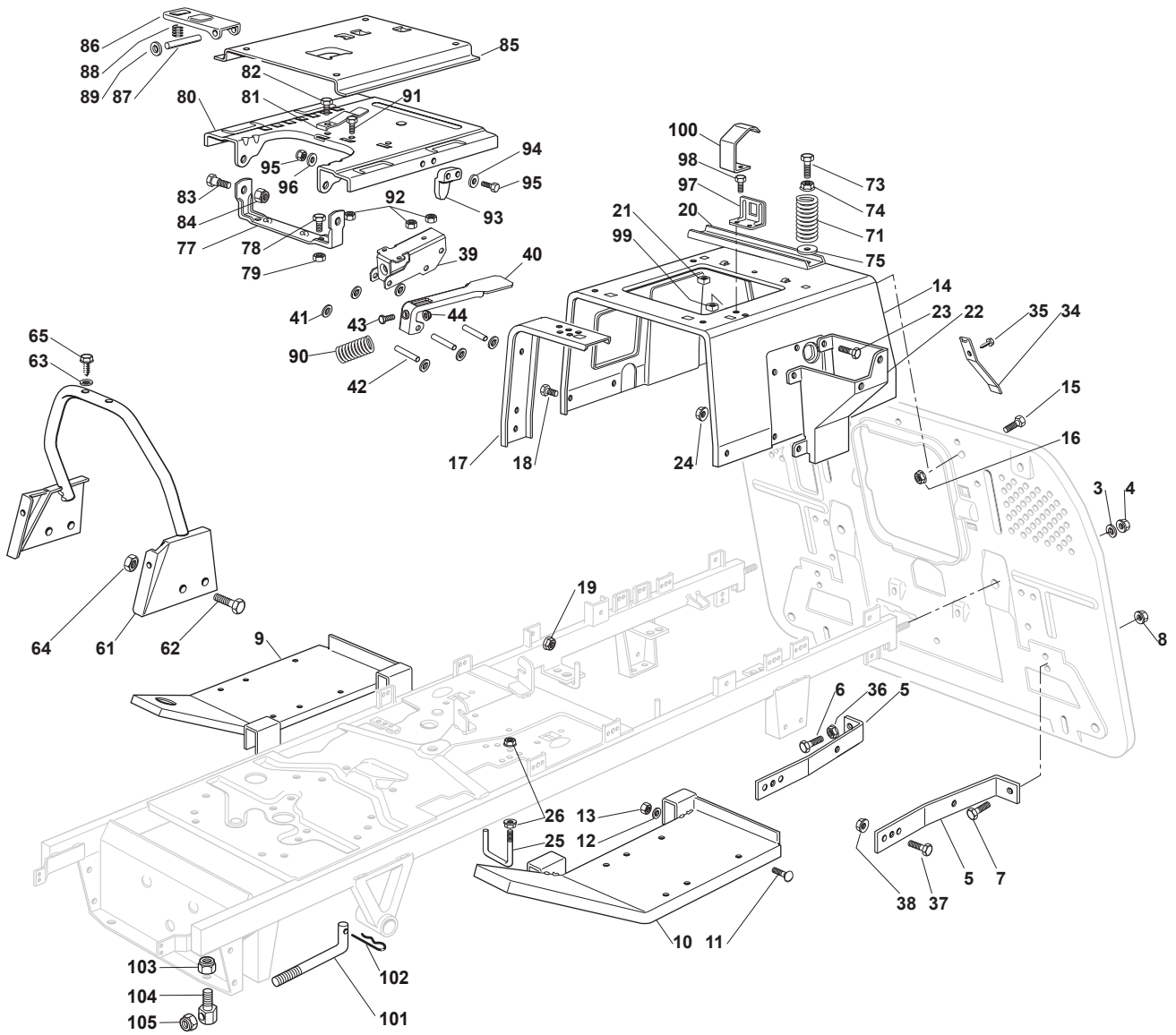
All content is subject to copyright by Global Garden Products and may not be reproduced in whole or in part by any means, electronic or otherwise, without prior written approval.

THIS INFORMATION IS NOT INTENDED FOR SALE OR RESALE, AND THIS NOTICE MUST REMAIN ON ALL COPIES.

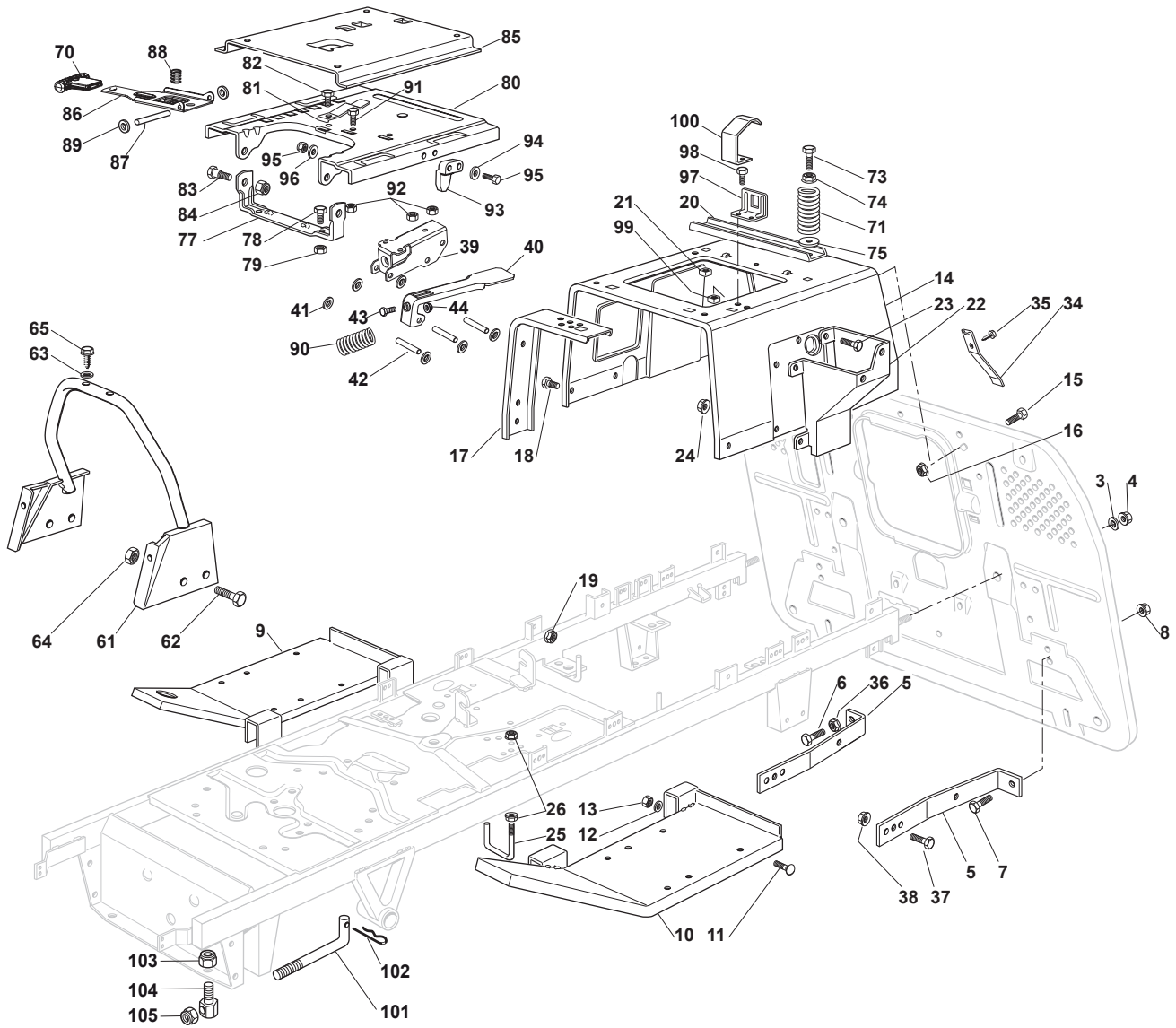




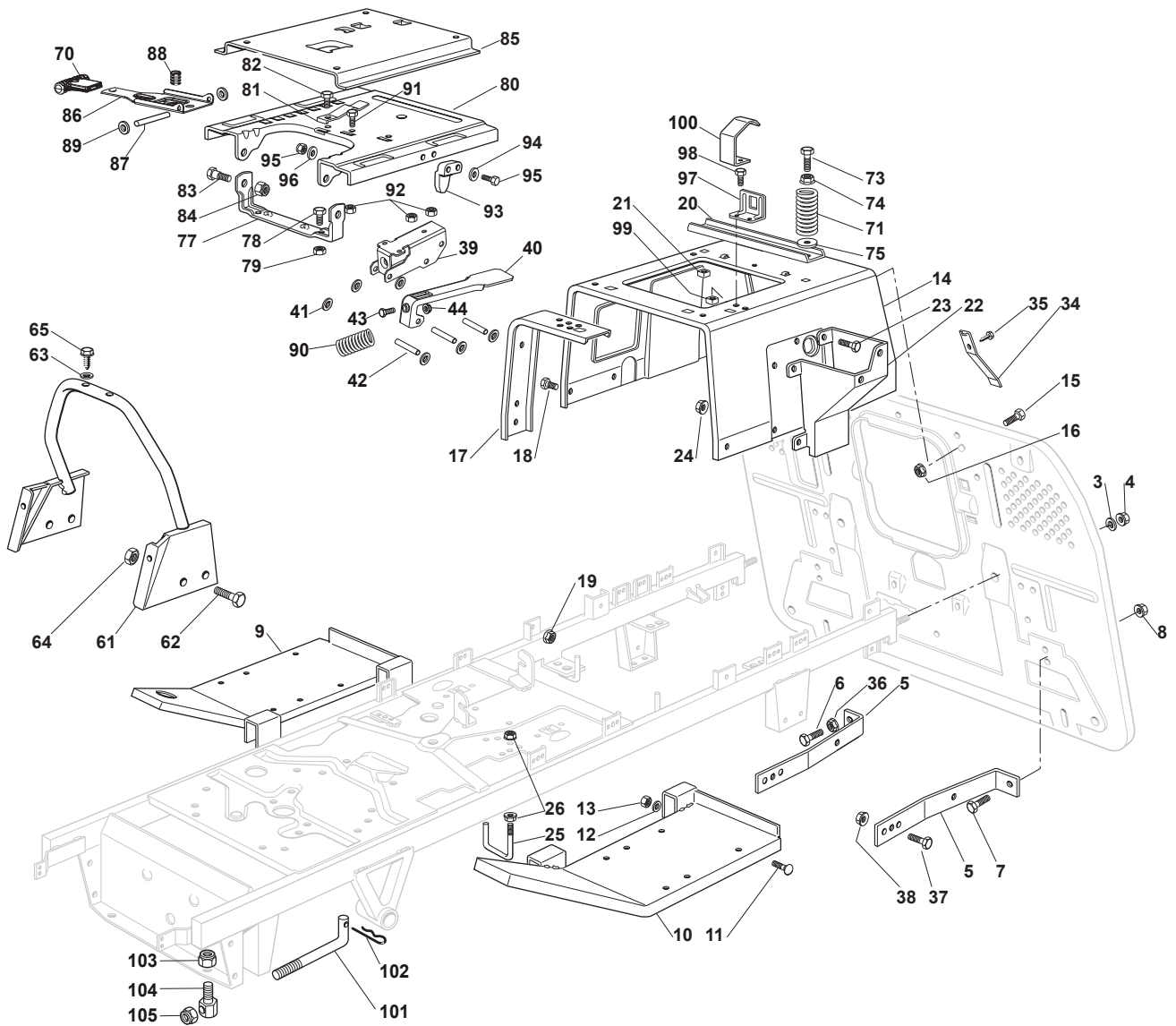
| Fig. | Q.ty | Part No | Description | Notes |
|------|------|-------------|-------------------------|------------------------|
| 3 | 2 | 112585100/0 | Washer | |
| 4 | 2 | 112295200/0 | Nut | |
| 5 | 2 | 325774273/1 | Stiffening | |
| 6 | 1 | 112691100/0 | Screw | |
| 7 | 3 | 112793102/0 | Screw | |
| 8 | 4 | 112293201/0 | Nut | |
| 9 | 1 | 382510041/2 | Right Footboard Support | |
| 10 | 1 | 382510043/2 | Left Footboard Support | |
| 11 | 4 | 112815245/0 | Screw | |
| 12 | 4 | 112523040/0 | Washer | |
| 13 | 4 | 112154510/0 | Nut | |
| 14 | 1 | 325785133/5 | Seat Support | |
| 15 | 5 | 112791011/0 | Screw | |
| 16 | 5 | 112292102/0 | Nut | |
| 17 | 2 | 325650065/0 | Stiffening | |
| 18 | 6 | 112791011/0 | Screw | |
| 19 | 6 | 112292102/0 | Nut | |
| 20 | 1 | 325650067/0 | Stiffening | |
| 21 | 2 | 112360420/0 | Nut | |
| 22 | 1 | 325785137/1 | Support | |
| 23 | 4 | 112791011/0 | Screw | |
| 24 | 4 | 112292102/0 | Nut | |
| 25 | 1 | 125580019/0 | Belt Guide Peg | |
| 26 | 2 | 112292102/0 | Nut | |
| 34 | 1 | 125430238/1 | Spring | |
| 35 | 1 | 112731580/0 | Screw | |
| 36 | 1 | 112293200/0 | Nut | |
| 37 | 2 | 112793102/0 | Screw | |
| 38 | 2 | 112293201/0 | Nut | |
| 39 | 1 | 325774575/0 | Fulcrum Clamp | |
| 40 | 1 | 325318327/0 | Lever | |
| 41 | 6 | 112604896/0 | Crown Fastener | |
| 42 | 3 | 122517866/0 | Pin | |
| 43 | 1 | 112735661/0 | Screw | |
| 44 | 1 | 112154510/0 | Nut | |
| 61 | 1 | 382650045/0 | Chassis | |
| 62 | 4 | 112792611/0 | Screw | |
| 63 | 2 | 112521330/0 | Washer | |
| 64 | 4 | 112292102/0 | Nut | |
| 65 | 2 | 112731350/0 | Screw | |
| 71 | 2 | 125430205/1 | Spring | for Standard TC Models |
| 71 | 2 | 125430257/1 | Spring | for TX-TS Models |
| 73 | 2 | 125943001/1 | Screw | |
| 74 | 2 | 112293201/0 | Nut | |
| 75 | 2 | 112523070/0 | Washer | |
| 77 | 1 | 382774207/0 | Seat Clamp Support | |
| 78 | 2 | 112792611/0 | Screw | |
| 79 | 2 | 112293201/0 | Nut | |
| 80 | 1 | 325785149/3 | Fixed Seat Support | |
| 81 | 1 | 125430203/1 | Spring | |
| 82 | 1 | 112731580/0 | Screw | |



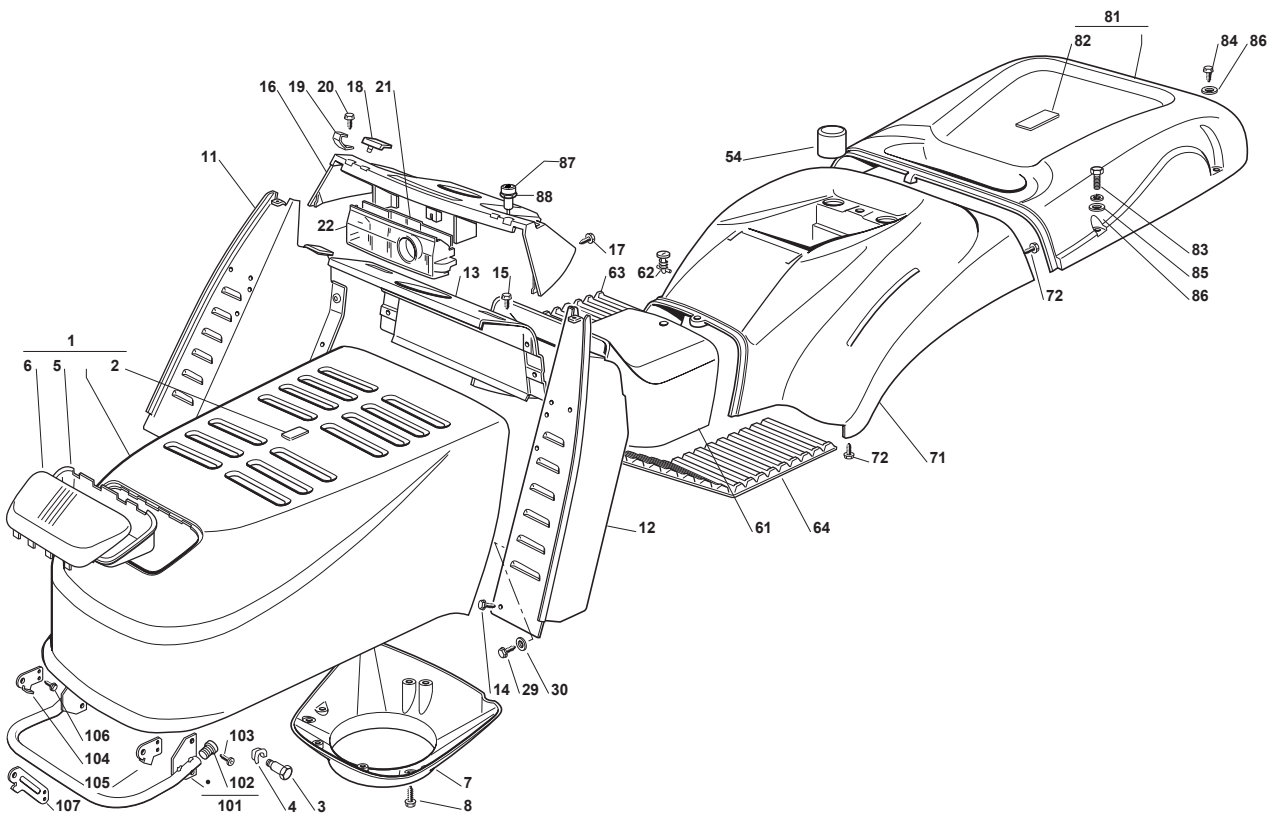
| Fig. | Q.ty | Part No | Description | Notes |
|------|------|-------------|-----------------|-------|
| 83 | 2 | 122524970/2 | Fulcrum Pin | |
| 84 | 2 | 112155010/0 | Nut | |
| 85 | 1 | 325785147/2 | Seat Support | |
| 86 | 1 | 325318109/1 | Stop Lever | |
| 87 | 1 | 125510000/0 | Pin | |
| 88 | 1 | 125430202/1 | Spring | |
| 89 | 2 | 112604897/0 | Elastic Washer | |
| 90 | 1 | 125430285/0 | Spring | |
| 91 | 1 | 112789000/0 | Screw | |
| 92 | 1 | 112154330/0 | Nut | |
| 93 | 1 | 325060049/0 | Seat Switch Cam | |
| 94 | 2 | 112815050/0 | Screw | |
| 95 | 4 | 112521320/0 | Washer | |
| 96 | 2 | 112154330/0 | Nut | |
| 97 | 1 | 325755025/1 | Bracket | |
| 98 | 2 | 112735110/0 | Screw | |
| 99 | 2 | 112437502/0 | Plate | |
| 100 | 1 | 325430255/0 | Spring | |
| 101 | 2 | 125510119/0 | Tie Rod | |
| 102 | 2 | 124487997/0 | Cotter Pin | |
| 103 | 2 | 112155000/0 | Nut | |
| 104 | 2 | 125510040/1 | Pin | |
| 105 | 2 | 112155000/0 | Nut | |



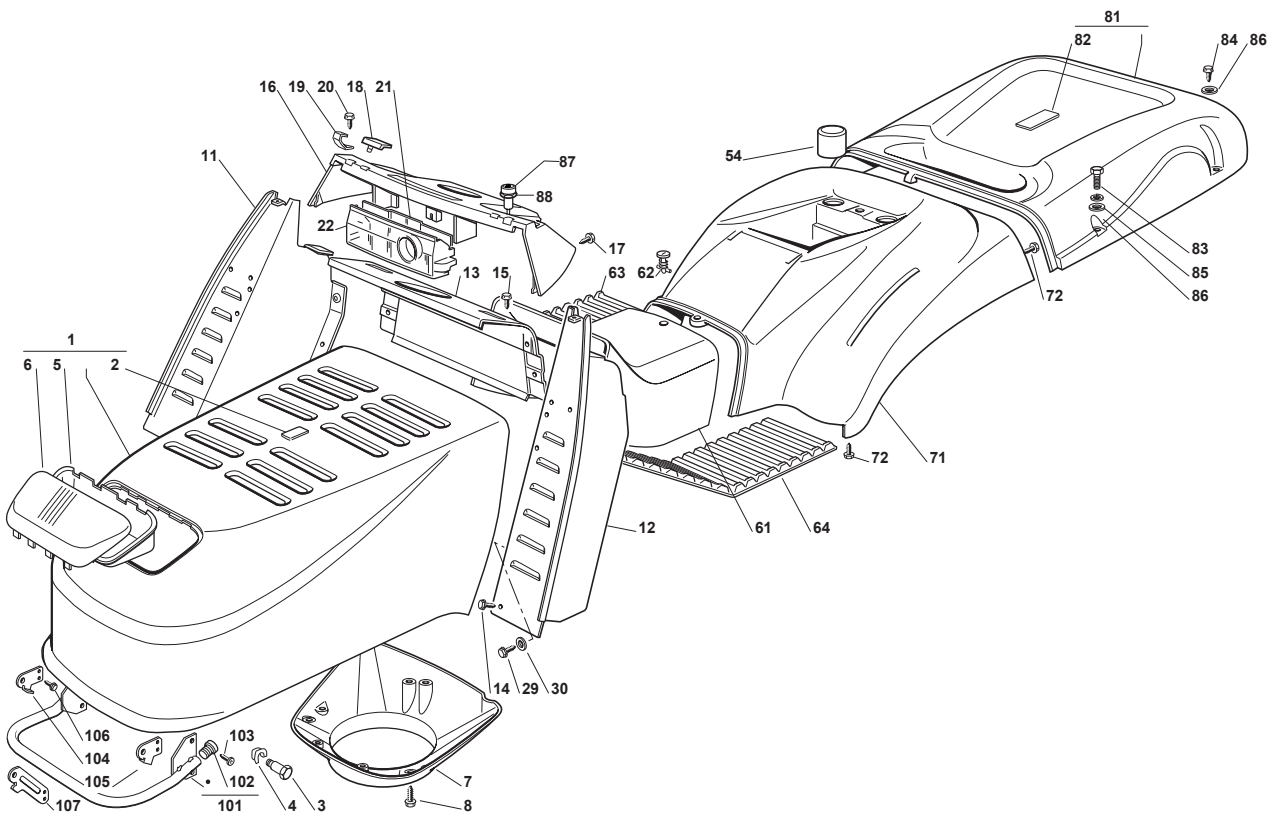
| Fig. | Q.ty | Part No | Description | Notes |
|------|------|-------------|-------------------------|------------------------|
| 3 | 2 | 112585100/0 | Washer | |
| 4 | 2 | 112295200/0 | Nut | |
| 5 | 2 | 325774273/1 | Stiffening | |
| 6 | 1 | 112691100/0 | Screw | |
| 7 | 3 | 112793102/0 | Screw | |
| 8 | 4 | 112293201/0 | Nut | |
| 9 | 1 | 382510041/2 | Right Footboard Support | |
| 10 | 1 | 382510043/2 | Left Footboard Support | |
| 11 | 4 | 112815245/0 | Screw | |
| 12 | 4 | 112523040/0 | Washer | |
| 13 | 4 | 112154510/0 | Nut | |
| 14 | 1 | 325785133/5 | Seat Support | |
| 15 | 5 | 112791011/0 | Screw | |
| 16 | 5 | 112292102/0 | Nut | |
| 17 | 2 | 325650065/0 | Stiffening | |
| 18 | 6 | 112791011/0 | Screw | |
| 19 | 6 | 112292102/0 | Nut | |
| 20 | 1 | 325650067/0 | Stiffening | |
| 21 | 2 | 112360420/0 | Nut | |
| 22 | 1 | 325785137/1 | Support | |
| 23 | 4 | 112791011/0 | Screw | |
| 24 | 4 | 112292102/0 | Nut | |
| 25 | 1 | 125580019/0 | Belt Guide Peg | |
| 26 | 2 | 112292102/0 | Nut | |
| 34 | 1 | 125430238/1 | Spring | |
| 35 | 1 | 112731580/0 | Screw | |
| 36 | 1 | 112293200/0 | Nut | |
| 37 | 2 | 112793102/0 | Screw | |
| 38 | 2 | 112293201/0 | Nut | |
| 39 | 1 | 325774575/0 | Fulcrum Clamp | |
| 40 | 1 | 325318327/0 | Lever | |
| 41 | 6 | 112604896/0 | Crown Fastener | |
| 42 | 3 | 122517866/0 | Pin | |
| 43 | 1 | 112735661/0 | Screw | |
| 44 | 1 | 112154510/0 | Nut | |
| 61 | 1 | 382650045/0 | Chassis | |
| 62 | 4 | 112792611/0 | Screw | |
| 63 | 2 | 112521330/0 | Washer | |
| 64 | 4 | 112292102/0 | Nut | |
| 65 | 2 | 112731350/0 | Screw | |
| 70 | 1 | 322394505/0 | Knob | |
| 71 | 2 | 125430205/1 | Spring | for Standard TC Models |
| 71 | 2 | 125430257/1 | Spring | for TX-TS Models |
| 73 | 2 | 125943001/1 | Screw | |
| 74 | 2 | 112293201/0 | Nut | |
| 75 | 2 | 112523070/0 | Washer | |
| 77 | 1 | 382774207/0 | Seat Clamp Support | |
| 78 | 2 | 112792611/0 | Screw | |
| 79 | 2 | 112293201/0 | Nut | |
| 80 | 1 | 325785149/3 | Fixed Seat Support | |
| 81 | 1 | 125430203/1 | Spring | |



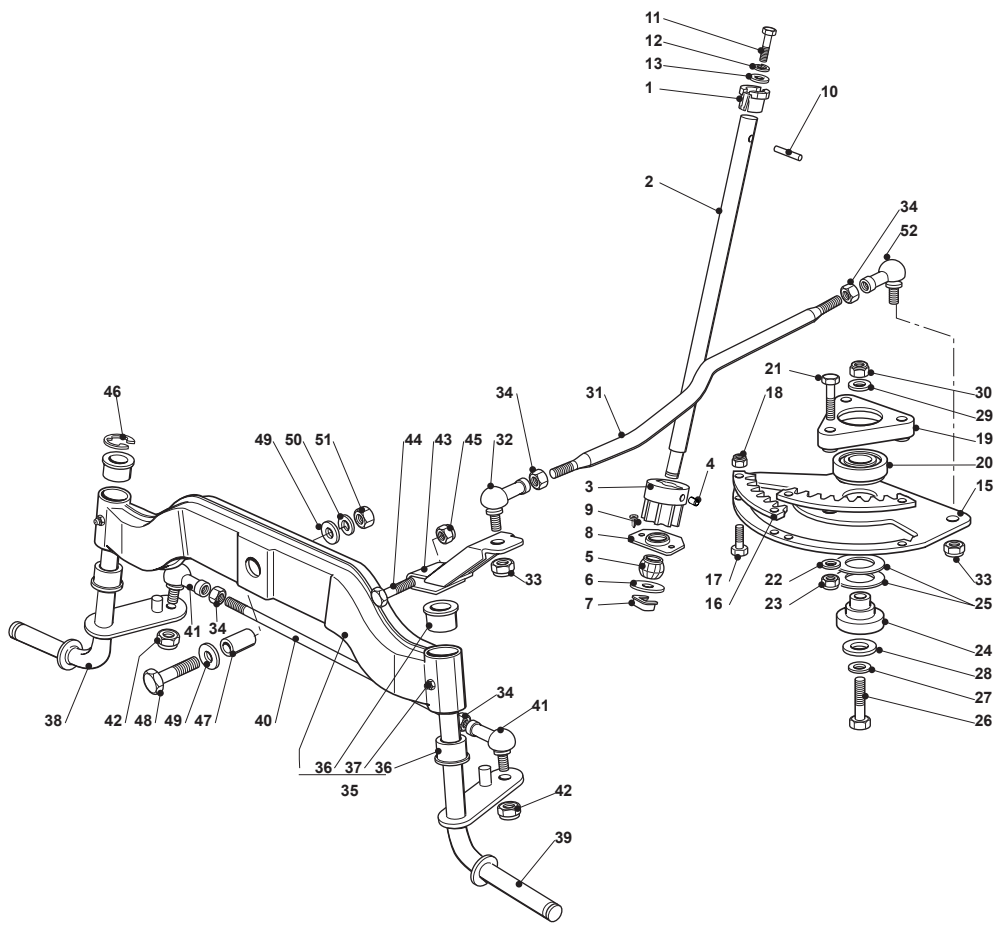
| Fig. | Q.ty | Part No | Description | Notes |
|------|------|-------------|-----------------|-------|
| 82 | 1 | 112731580/0 | Screw | |
| 83 | 2 | 122524970/2 | Fulcrum Pin | |
| 84 | 2 | 112155010/0 | Nut | |
| 85 | 1 | 325785147/2 | Seat Support | |
| 86 | 1 | 325318303/0 | Stop Lever | |
| 87 | 1 | 125510000/0 | Pin | |
| 88 | 1 | 125430202/1 | Spring | |
| 89 | 2 | 112604897/0 | Elastic Washer | |
| 90 | 1 | 125430285/0 | Spring | |
| 91 | 1 | 112789000/0 | Screw | |
| 92 | 1 | 112154330/0 | Nut | |
| 93 | 1 | 325060049/0 | Seat Switch Cam | |
| 94 | 2 | 112815050/0 | Screw | |
| 95 | 4 | 112521320/0 | Washer | |
| 96 | 2 | 112154330/0 | Nut | |
| 97 | 1 | 325755025/1 | Bracket | |
| 98 | 2 | 112735110/0 | Screw | |
| 99 | 2 | 112437502/0 | Plate | |
| 100 | 1 | 325430255/0 | Spring | |
| 101 | 2 | 125510119/0 | Tie Rod | |
| 102 | 2 | 124487997/0 | Cotter Pin | |
| 103 | 2 | 112155000/0 | Nut | |
| 104 | 2 | 125510040/1 | Pin | |
| 105 | 2 | 112155000/0 | Nut | |



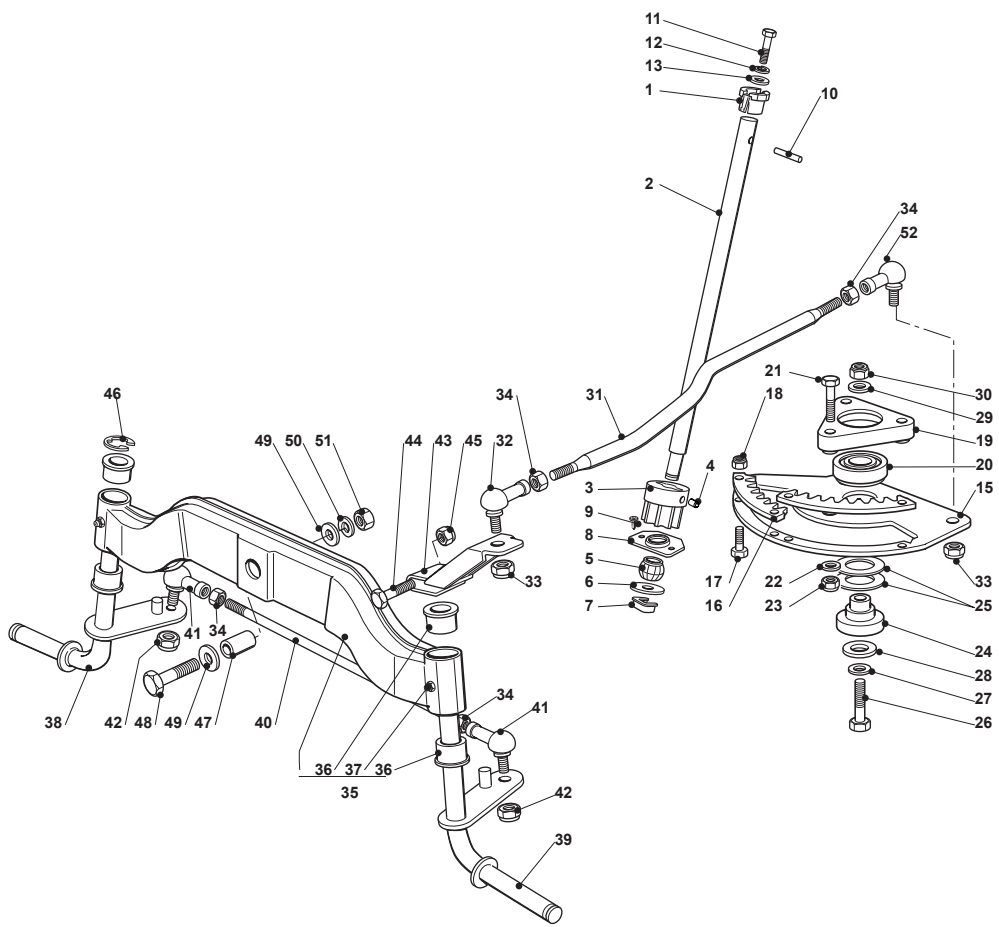
| Fig. | Q.ty | Part No | Description | Notes |
|------|------|-------------|-----------------------------|-----------------------------------|
| 1 | 1 | 182076832/0 | Engine Hood Yellow | Yellow |
| 1 | 1 | 382076817/2 | Engine Hood Red | Red |
| 1 | 1 | 382076818/1 | Green Bonnet | Green |
| 1 | 1 | 382076831/1 | Blue Upper Bonnet | Blue |
| 2 | 1 | 125547015/0 | Plate Green | Green |
| 2 | 1 | 125547024/0 | Blue Injection Plate | Blue |
| 2 | 1 | 125547104/0 | Plate Yellow | Yellow |
| 2 | 1 | 325547016/2 | Red Injection Plate | Red |
| 3 | 2 | 125510023/1 | Pin | |
| 4 | 2 | 112436050/0 | Plate | |
| 5 | 1 | 125485001/0 | Lights Parabola | |
| 6 | 1 | 125410865/0 | Grill | |
| 7 | 1 | 325108024/0 | Conveyor | Specific for 16,5-18,5 Hp Engines |
| 7 | 1 | 325108028/0 | Conveyor | |
| 8 | 3 | 112728686/0 | Screw | |
| 11 | 1 | 382785022/8 | Right Dashboard Support | |
| 11 | 1 | 382785022/9 | Right Dashboard Support | |
| 12 | 1 | 382785021/7 | Left Dashboard Support | |
| 12 | 1 | 382785021/8 | Left Dashboard Support | |
| 13 | 1 | 382785137/0 | Central Dashboard Support | |
| 14 | 2 | 112735110/0 | Screw | |
| 15 | 4 | 112735110/0 | Screw | |
| 17 | 4 | 112728440/0 | Screw | |
| 18 | 2 | 125260000/0 | Grommet | |
| 19 | 2 | 125430215/1 | Coupling Spring | |
| 20 | 2 | 112728440/0 | Screw | |
| 21 | 1 | 125600007/0 | Electronic Card Protection | |
| 22 | 1 | 125600051/0 | Protection | |
| 29 | 2 | 112731350/0 | Screw | |
| 30 | 2 | 112521330/0 | Washer | |
| 54 | 2 | 325122000/2 | Spring | |
| 61 | 1 | 125110106/0 | Cover Yellow | Yellow |
| 61 | 1 | 125110240/0 | Green Central Cover | Green |
| 61 | 1 | 125110242/0 | Blue Central Cover | Blue |
| 61 | 1 | 325110239/1 | Red Central Cover (Hydro) | Red |
| 62 | 1 | 125580020/2 | Stake | |
| 63 | 1 | 125110270/0 | Right Footboard Cover | |
| 64 | 1 | 125110260/2 | Left Footboard Cover | |
| 71 | 1 | 325109701/1 | Red Wheels Cover | Red |
| 71 | 1 | 325109705/0 | Green Wheels Cover | Green |
| 71 | 1 | 325109709/0 | Blue Wheels Cover | Blue |
| 72 | 4 | 112735402/0 | Screw | |
| 81 | 1 | 182110208/0 | Green Grass-Catcher Cover | Green |
| 81 | 1 | 182110210/0 | Blue Grass-Catcher Cover | Blue |
| 81 | 1 | 182110211/0 | Grass Catcher Cov.Yel.Stiga | Yellow |
| 81 | 1 | 382110207/1 | Red Grass-Catcher Cover | Red |
| 81 | 1 | 382110245/0 | Grassbox Cover Ass.Y Black | Black |
| 82 | 1 | 125110107/0 | Plate Yellow | Yellow |
| 82 | 1 | 125547015/0 | Plate Green | Green |
| 82 | 1 | 125547024/0 | Blue Injection Plate | Blue |
| 82 | 1 | 325547016/2 | Red Injection Plate | Red |



| Fig. | Q.ty | Part No | Description | Notes |
|------|------|-------------|--------------------|-----------------------------------|
| 82 | 1 | 325547150/0 | Plate Black | Black |
| 83 | 2 | 112674701/0 | Screw | |
| 84 | 4 | 112729601/1 | Screw | |
| 85 | 2 | 112582101/0 | Grower | |
| 86 | 6 | 112521331/0 | Washer | |
| 87 | 1 | 325605003/0 | Button | |
| 88 | 1 | 325256250/0 | Screwed Ring | |
| 101 | 1 | 382869006/1 | Muffler Tube Guard | |
| 101 | 1 | 382869015/0 | Muffler Protection | Specific for 16,5-18,5 Hp Engines |
| 102 | 2 | 118566110/0 | Push Rod | |
| 103 | 4 | 112734995/0 | Screw | |
| 104 | 1 | 325547089/1 | Right Plate | |
| 105 | 1 | 325547091/1 | Left Plate | |
| 106 | 4 | 112731580/0 | Screw | |
| 107 | 2 | 325547099/0 | Plate 18 Hp B&S | |



| Fig. | Q.ty | Part No | Description | Notes |
|------|------|-------------|------------------------------------|-------|
| 1 | 1 | 325038004/0 | Bushing | |
| 2 | 1 | 125520010/0 | Steering Column | |
| 3 | 1 | 125570004/0 | Pinion | |
| 4 | 1 | 112714300/0 | Dowel | |
| 5 | 1 | 325743000/0 | Joint | |
| 6 | 1 | 112521370/0 | Washer | |
| 7 | 1 | 112436030/0 | Plate | |
| 8 | 1 | 325785213/1 | Support | |
| 9 | 2 | 112729601/1 | Screw | |
| 10 | 1 | 112620250/0 | Pin | |
| 11 | 1 | 112691800/0 | Screw | |
| 12 | 1 | 112583500/0 | Grower | |
| 13 | 1 | 112523060/0 | Washer | |
| 15 | 1 | 325735523/0 | Steering Sector | |
| 16 | 2 | 325150000/0 | Rack | |
| 17 | 4 | 112791213/1 | Screw | |
| 18 | 4 | 112154510/0 | Nut | |
| 19 | 1 | 325774453/0 | Clamp | |
| 20 | 1 | 119216047/0 | Bearing | |
| 21 | 3 | 112691100/0 | Screw | |
| 22 | 3 | 112523060/0 | Washer | |
| 23 | 3 | 112155000/0 | Nut | |
| 24 | 1 | 125510120/0 | Support | |
| 25 | 2 | 322672153/0 | Antifriction Washer | |
| 26 | 1 | 112692395/0 | Screw | |
| 27 | 1 | 112523080/0 | Washer | |
| 28 | 1 | 112521390/0 | Washer | |
| 29 | 1 | 112523080/0 | Washer | |
| 30 | 1 | 112156602/0 | Nut | |
| 31 | 1 | 125033003/1 | Steering Rod | |
| 32 | 2 | 122746600/0 | Joint | |
| 32 | 2 | 122746616/0 | Joint | |
| 33 | 2 | 122746609/0 | Joint | |
| 34 | 4 | 112156602/0 | Nut | |
| 35 | 1 | 382034001/3 | Equalizer With Bush And Lubricator | |
| 36 | 4 | 125034002/1 | Bushing | |
| 37 | 2 | 112379511/0 | Grease Dispenser | |
| 38 | 1 | 382230349/0 | Right Stub Axle | |
| 39 | 1 | 382230348/0 | Left Stub Axle | |
| 40 | 1 | 325840001/0 | Tie Rod | |
| 41 | 2 | 122746616/0 | Joint | |
| 42 | 2 | 112156602/0 | Nut | |
| 43 | 1 | 382318101/0 | Lever Ass.Y | |
| 44 | 1 | 112691700/0 | Screw | |
| 45 | 1 | 112155000/0 | Nut | |
| 46 | 1 | 112001000/0 | Benzing Ring | |
| 47 | 1 | 125160005/0 | Spacer | |
| 48 | 1 | 112694100/0 | Screw | |
| 49 | 2 | 112521390/0 | Washer | |
| 50 | 1 | 112587900/0 | Grower | |
| 51 | 1 | 112295800/0 | Nut | |

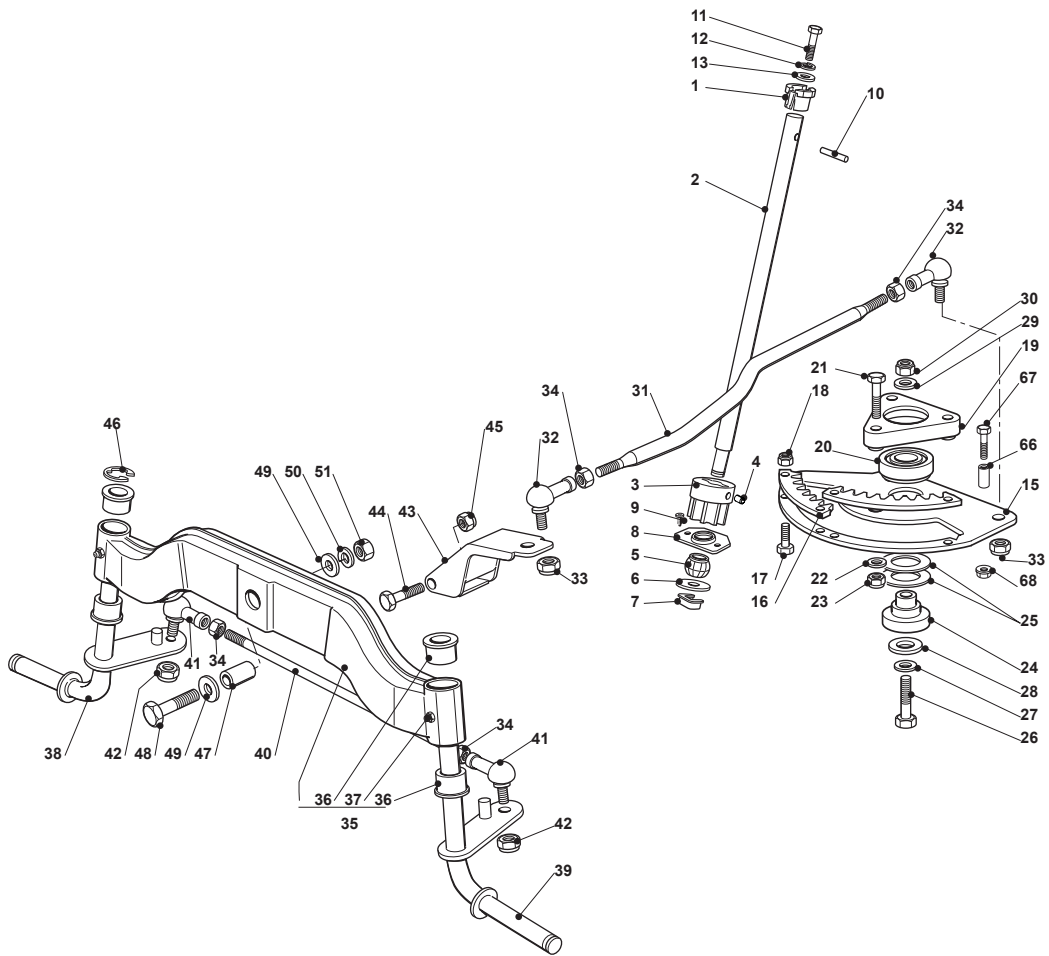


TCR 102 HYDRO

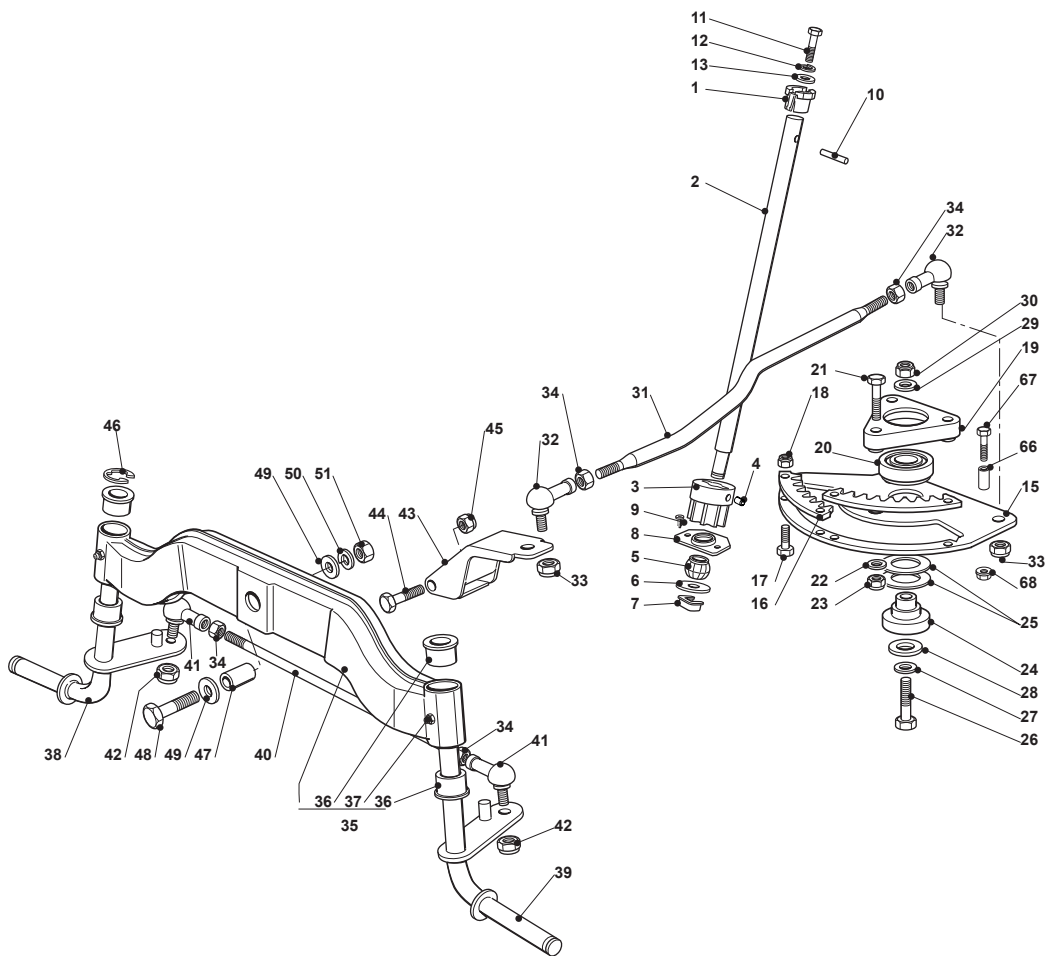
Ride-on 102-122 cm Steering 13"

Issue 13 - 2016

| Fig. | Q.ty | Part No | Description | Notes |
|------|------|-------------|-------------|-------|
| 52 | 2 | 122746616/0 | Joint | |



| Fig. | Q.ty | Part No | Description | Notes |
|------|------|-------------|------------------------------------|-------|
| 1 | 1 | 325038004/0 | Bushing | |
| 2 | 1 | 125520010/0 | Steering Column | |
| 3 | 1 | 125570004/0 | Pinion | |
| 4 | 1 | 112714300/0 | Dowel | |
| 5 | 1 | 325743000/0 | Joint | |
| 6 | 1 | 112521370/0 | Washer | |
| 7 | 1 | 112436030/0 | Plate | |
| 8 | 1 | 325785213/1 | Support | |
| 9 | 2 | 112729601/1 | Screw | |
| 10 | 1 | 112620250/0 | Pin | |
| 11 | 1 | 112691800/0 | Screw | |
| 12 | 1 | 112583500/0 | Grower | |
| 13 | 1 | 112523060/0 | Washer | |
| 15 | 1 | 325735523/0 | Steering Sector | |
| 16 | 2 | 325150000/0 | Rack | |
| 17 | 4 | 112791213/1 | Screw | |
| 18 | 4 | 112154510/0 | Nut | |
| 19 | 1 | 325774453/0 | Clamp | |
| 20 | 1 | 119216047/0 | Bearing | |
| 21 | 3 | 112691100/0 | Screw | |
| 22 | 3 | 112523060/0 | Washer | |
| 23 | 3 | 112155000/0 | Nut | |
| 24 | 1 | 125510120/0 | Support | |
| 25 | 2 | 322672153/0 | Antifriction Washer | |
| 26 | 1 | 112692395/0 | Screw | |
| 27 | 1 | 112523080/0 | Washer | |
| 28 | 1 | 112521390/0 | Washer | |
| 29 | 1 | 112523080/0 | Washer | |
| 30 | 1 | 112156602/0 | Nut | |
| 31 | 1 | 125033003/1 | Steering Rod | |
| 32 | 2 | 122746600/0 | Joint | |
| 32 | 2 | 122746616/0 | Joint | |
| 33 | 2 | 122746609/0 | Joint | |
| 34 | 4 | 112156602/0 | Nut | |
| 35 | 1 | 382034001/3 | Equalizer With Bush And Lubricator | |
| 36 | 4 | 125034002/1 | Bushing | |
| 37 | 2 | 112379511/0 | Grease Dispenser | |
| 38 | 1 | 382230361/0 | Right Stub Axle | |
| 39 | 1 | 382230359/0 | Left Stub Axle | |
| 40 | 1 | 325840001/0 | Tie Rod | |
| 41 | 2 | 122746616/0 | Joint | |
| 42 | 2 | 112156602/0 | Nut | |
| 43 | 1 | 382318185/0 | Lever Ass.Y | |
| 44 | 1 | 112692395/0 | Screw | |
| 45 | 1 | 112155000/0 | Nut | |
| 46 | 1 | 112001000/0 | Benzing Ring | |
| 47 | 1 | 125160005/0 | Spacer | |
| 48 | 1 | 112694100/0 | Screw | |
| 49 | 2 | 112521390/0 | Washer | |
| 50 | 1 | 112587900/0 | Grower | |
| 51 | 1 | 112295800/0 | Nut | |

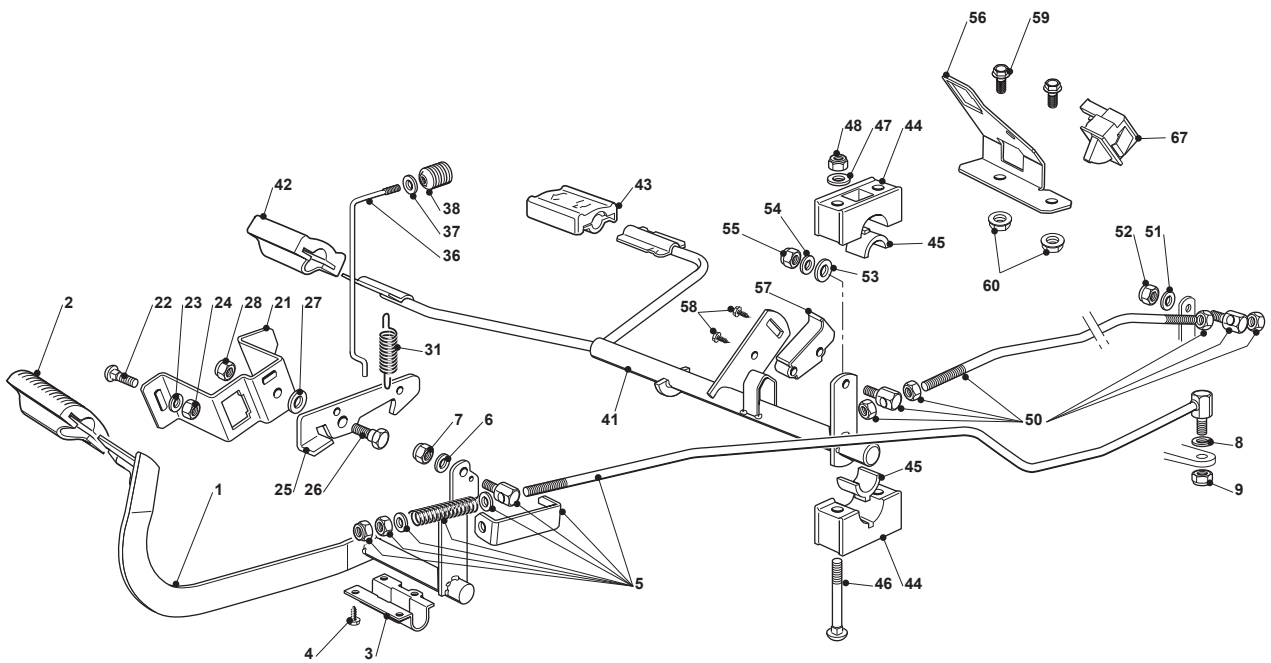


TCR 102 HYDRO

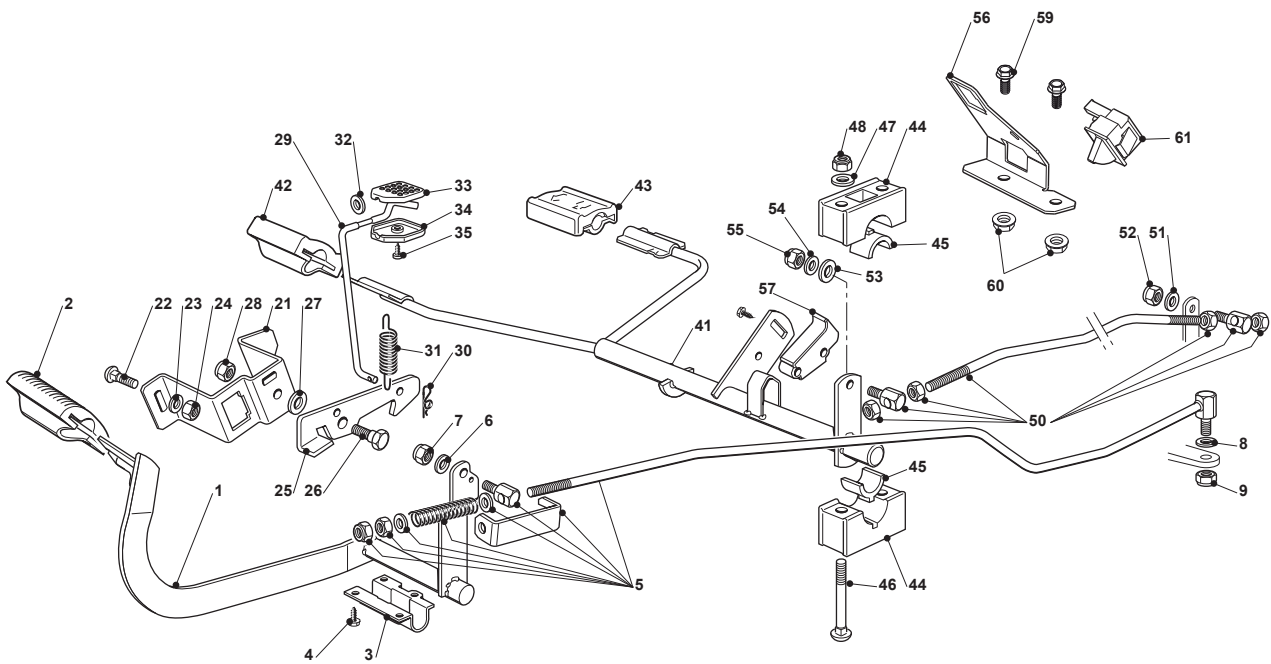
Ride-on 102-122 cm Steering 15"

Issue 13 - 2016

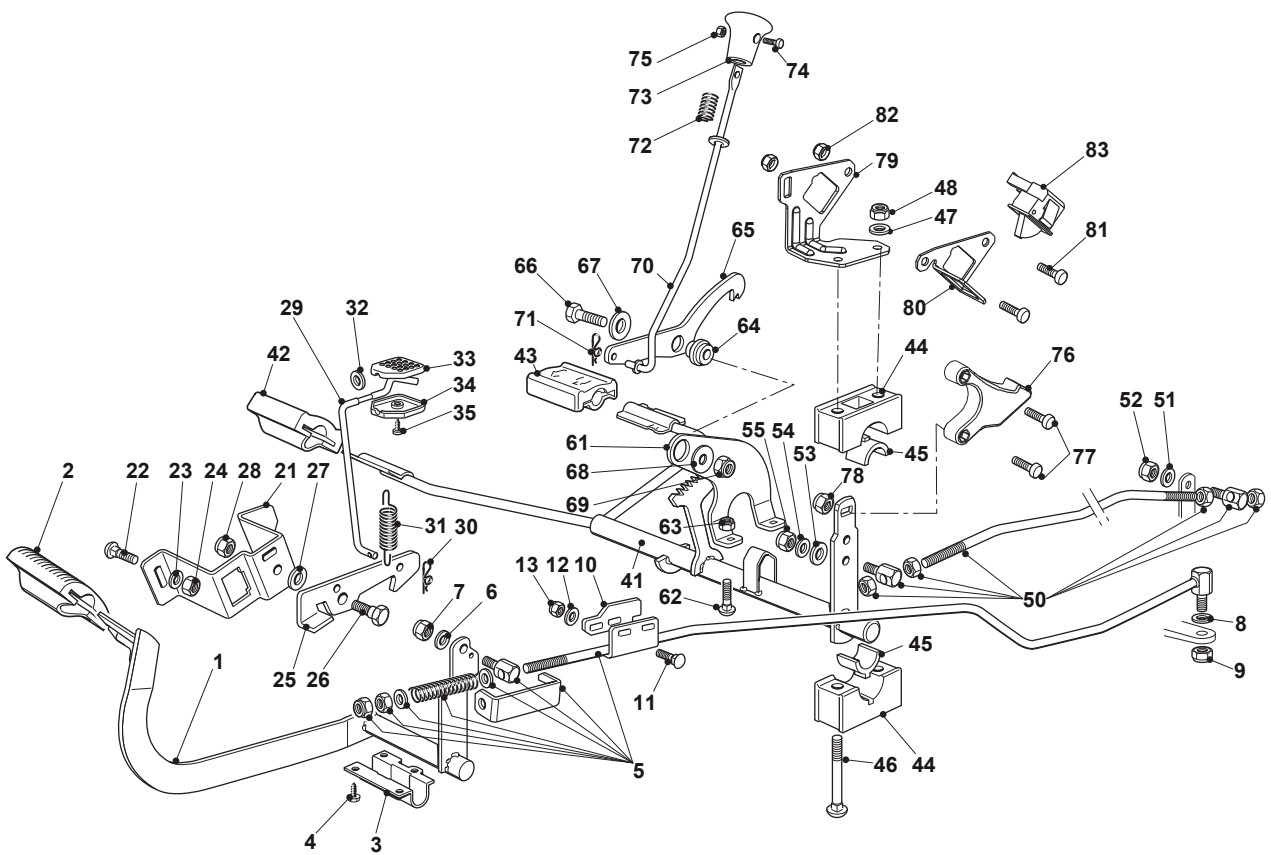
| Fig. | Q.ty | Part No | Description | Notes |
|------|------|-------------|-------------|-------|
| 66 | 1 | 122167840/0 | Spacer | |
| 67 | 1 | 112691200/0 | Screw | |
| 68 | 1 | 112293201/0 | Nut | |



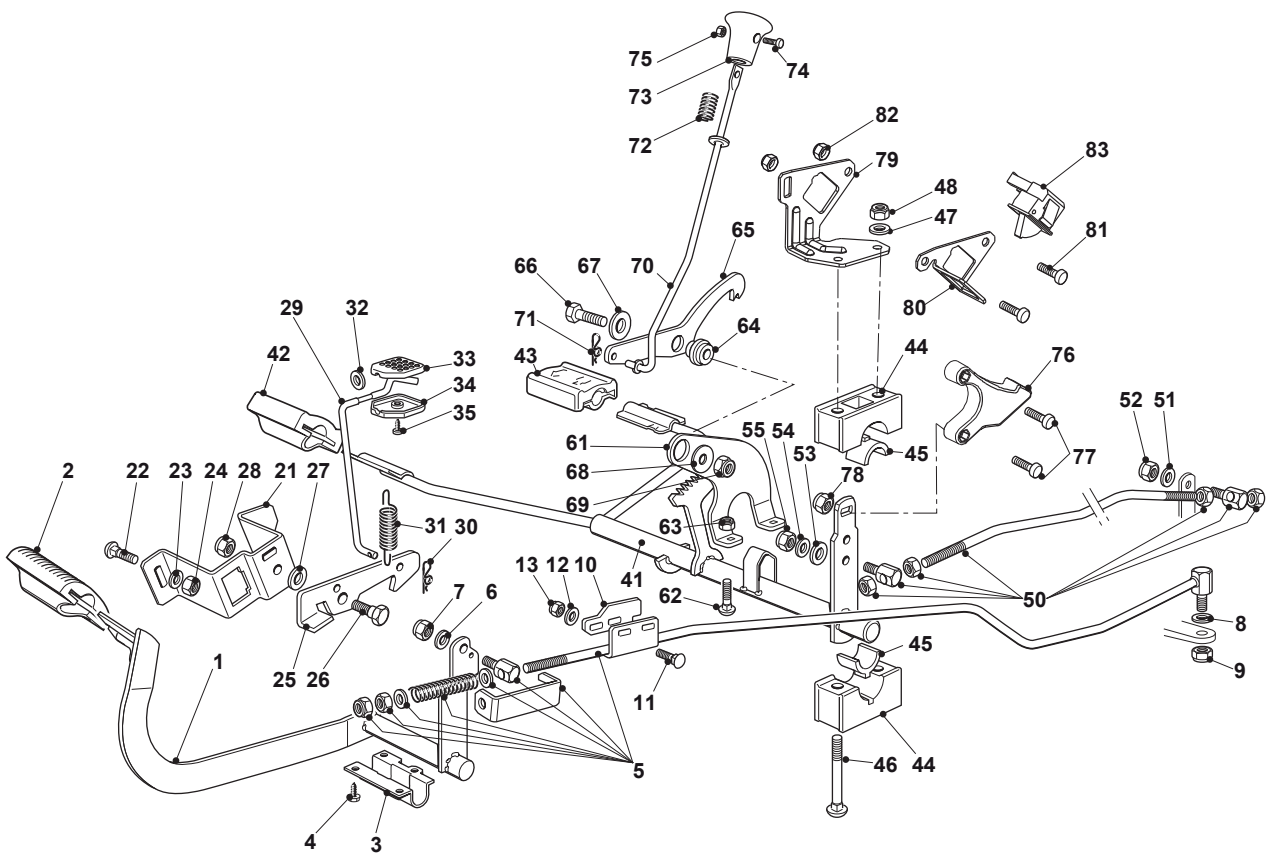
| Fig. | Q.ty | Part No | Description | Notes |
|------|------|---------------|----------------------|-------|
| 61 | 1 | 382394853/OLC | Switch Ass.Y | |
| 1 | 1 | 382500011/2 | Pedal | |
| 2 | 1 | 325110416/0 | Clamp Cover | |
| 3 | 1 | 325547081/2 | Plate | |
| 4 | 4 | 112731601/0 | Screw | |
| 5 | 1 | 382000582/0 | Rod | |
| 6 | 1 | 112521350/0 | Washer | |
| 7 | 1 | 112155000/0 | Nut | |
| 8 | 2 | 112521360/0 | Washer | |
| 9 | 1 | 112155000/0 | Nut | |
| 21 | 1 | 325785143/1 | Support | |
| 22 | 2 | 112815210/0 | Screw | |
| 23 | 1 | 112523040/0 | Washer | |
| 24 | 2 | 112154510/0 | Nut | |
| 25 | 1 | 325253001/0 | Hook | |
| 26 | 1 | 122524970/2 | Fulcrum Pin | |
| 27 | 1 | 325670011/0 | Antifriction Washer | |
| 28 | 1 | 112155000/0 | Nut | |
| 31 | 1 | 125430213/0 | Spring | |
| 36 | 1 | 125033034/0 | Rod | |
| 37 | 1 | 125394509/1 | Knob | |
| 38 | 1 | 112523020/0 | Washer | |
| 41 | 1 | 382000391/1 | Drive Pedal | |
| 42 | 1 | 325110417/0 | Clamp Cover Front | |
| 43 | 1 | 325110418/0 | Clamp Cover Rear | |
| 44 | 4 | 325785354/0 | Support | |
| 45 | 4 | 325034003/0 | Brass | |
| 46 | 4 | 112815271/0 | Screw | |
| 47 | 4 | 112523040/0 | Washer | |
| 48 | 4 | 112154510/0 | Nut | |
| 50 | 1 | 382000579/0 | Rod | |
| 51 | 1 | 112523040/0 | Washer | |
| 52 | 1 | 112154510/0 | Nut | |
| 53 | 1 | 112521360/0 | Washer | |
| 54 | 1 | 112523040/0 | Washer | |
| 55 | 1 | 112154510/0 | Nut | |
| 56 | 1 | 325785481/0 | Micro Switch Bracket | |
| 57 | 1 | 325060034/1 | Cam | |
| 58 | 1 | 112735404/0 | Screw | |
| 59 | 2 | 112793102/0 | Screw | |
| 60 | 2 | 112293201/0 | Nut | |
| 62 | 1 | 119410609/1LC | Micro Switch | |
| 63 | 2 | 112735602/0 | Screw | |
| 64 | 2 | 112581100/0 | Grower | |
| 65 | 2 | 112290791/0 | Nut | |
| 66 | 2 | 112735110/0 | Screw | |
| 67 | 1 | 119410614/0 | Microswitch | |



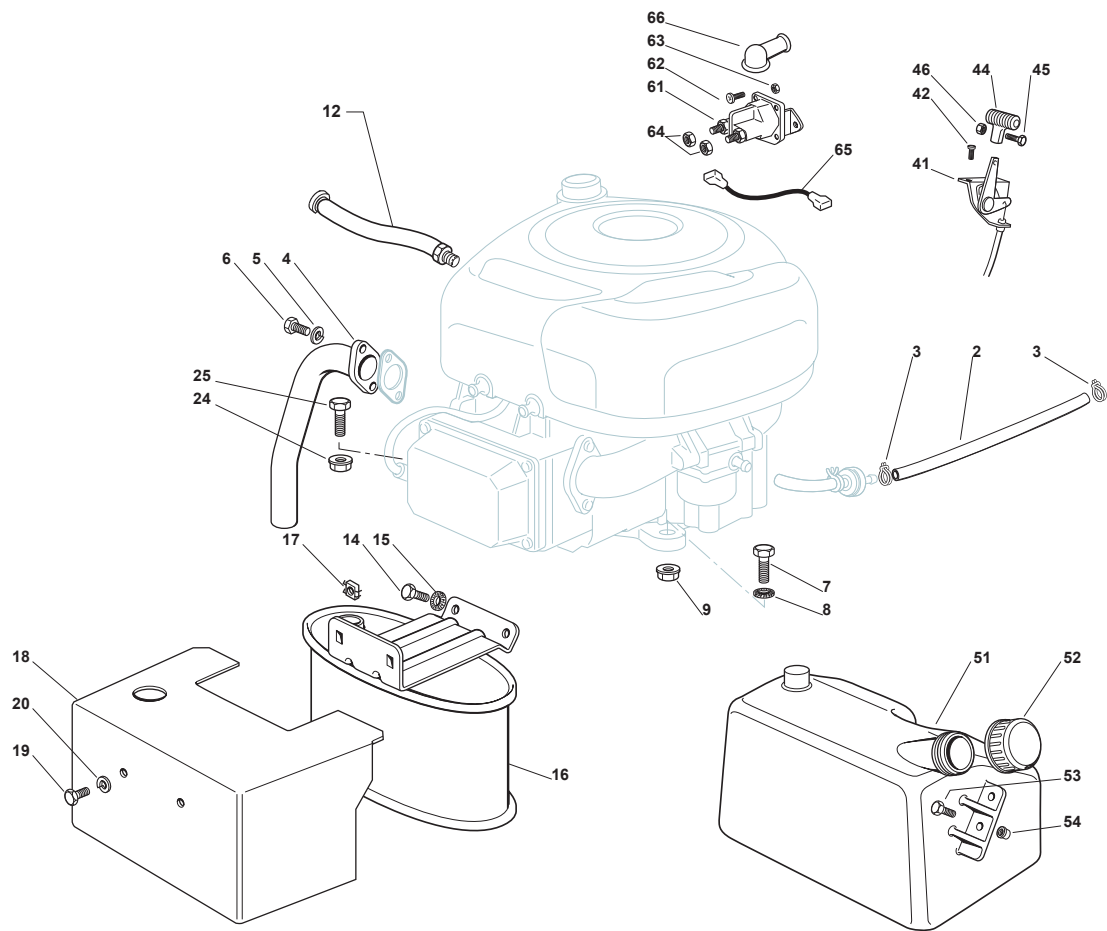
| Fig. | Q.ty | Part No | Description | Notes |
|------|------|-------------|----------------------|-------|
| 1 | 1 | 382500011/2 | Pedal | |
| 2 | 1 | 325110416/0 | Clamp Cover | |
| 3 | 1 | 325547081/2 | Plate | |
| 4 | 4 | 112731601/0 | Screw | |
| 5 | 1 | 382000582/0 | Rod | |
| 6 | 1 | 112521350/0 | Washer | |
| 7 | 1 | 112155000/0 | Nut | |
| 8 | 2 | 112521360/0 | Washer | |
| 9 | 1 | 112155000/0 | Nut | |
| 21 | 1 | 325785143/1 | Support | |
| 22 | 2 | 112815210/0 | Screw | |
| 23 | 1 | 112523040/0 | Washer | |
| 24 | 2 | 112154510/0 | Nut | |
| 25 | 1 | 325253001/0 | Hook | |
| 26 | 1 | 122524970/2 | Fulcrum Pin | |
| 27 | 1 | 325670011/0 | Antifriction Washer | |
| 28 | 1 | 112155000/0 | Nut | |
| 29 | 1 | 125033097/0 | Rod | |
| 30 | 1 | 124487997/0 | Cotter Pin | |
| 31 | 1 | 125430213/0 | Spring | |
| 32 | 1 | 112523040/0 | Washer | |
| 33 | 1 | 325592001/0 | Knob | |
| 34 | 1 | 325592002/0 | Knob | |
| 35 | 1 | 112727815/0 | Screw | |
| 41 | 1 | 382000391/1 | Drive Pedal | |
| 42 | 1 | 325110417/0 | Clamp Cover Front | |
| 43 | 1 | 325110418/0 | Clamp Cover Rear | |
| 44 | 4 | 325785354/0 | Support | |
| 45 | 4 | 325034003/0 | Brass | |
| 46 | 4 | 112815271/0 | Screw | |
| 47 | 4 | 112523040/0 | Washer | |
| 48 | 4 | 112154510/0 | Nut | |
| 50 | 1 | 382000579/0 | Rod | |
| 51 | 1 | 112523040/0 | Washer | |
| 52 | 1 | 112154510/0 | Nut | |
| 53 | 1 | 112521360/0 | Washer | |
| 54 | 1 | 112523040/0 | Washer | |
| 55 | 1 | 112154510/0 | Nut | |
| 56 | 1 | 325785481/0 | Micro Switch Bracket | |
| 57 | 1 | 325060034/1 | Cam | |
| 58 | 1 | 112735404/0 | Screw | |
| 59 | 2 | 112793102/0 | Screw | |
| 60 | 2 | 112293201/0 | Nut | |
| 61 | 1 | 119410614/0 | Microswitch | |



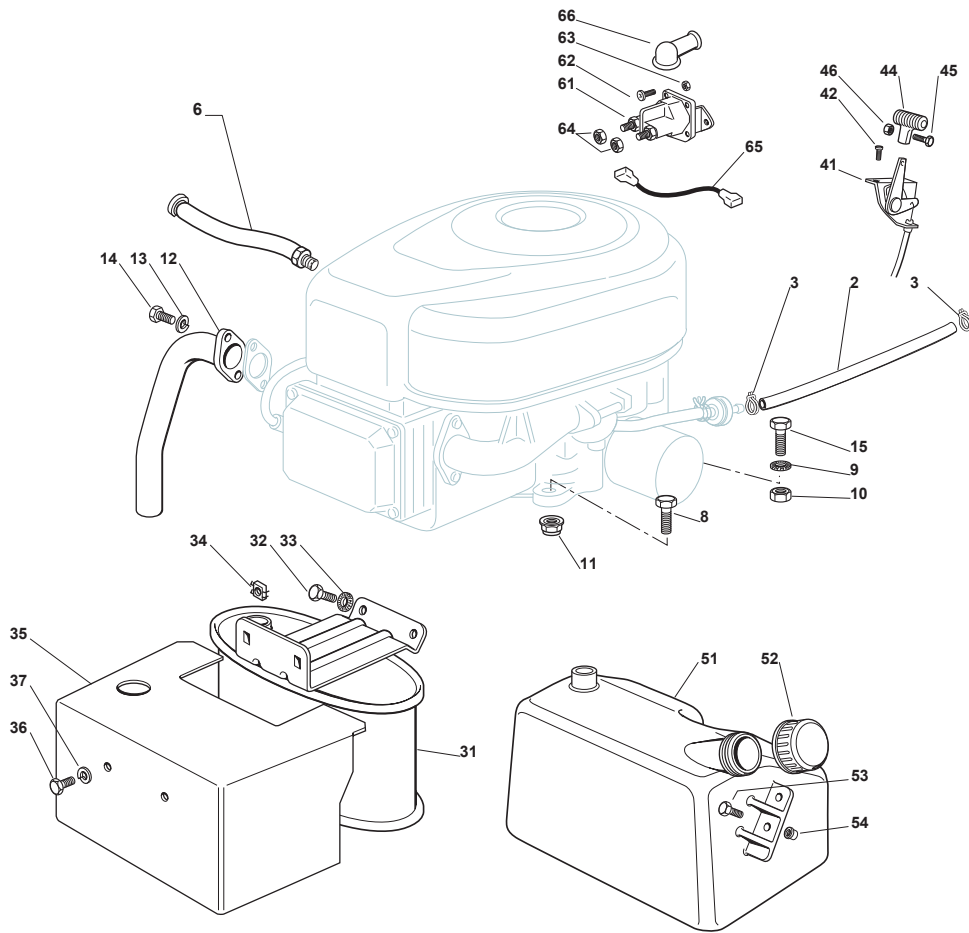
| Fig. | Q.ty | Part No | Description | Notes |
|------|------|-------------|---------------------|-------|
| 1 | 1 | 382500011/2 | Pedal | |
| 2 | 1 | 325110416/0 | Clamp Cover | |
| 3 | 1 | 325547081/2 | Plate | |
| 4 | 4 | 112731601/0 | Screw | |
| 5 | 1 | 382000626/0 | Brake Rod Assy | |
| 6 | 1 | 112521350/0 | Washer | |
| 7 | 1 | 112155000/0 | Nut | |
| 8 | 2 | 112521360/0 | Washer | |
| 9 | 1 | 112155000/0 | Nut | |
| 10 | 1 | 325547281/1 | Plate | |
| 11 | 2 | 112815210/0 | Screw | |
| 12 | 2 | 112523040/0 | Washer | |
| 13 | 2 | 112154510/0 | Nut | |
| 21 | 1 | 325785143/1 | Support | |
| 22 | 2 | 112815210/0 | Screw | |
| 23 | 1 | 112523040/0 | Washer | |
| 24 | 2 | 112154510/0 | Nut | |
| 25 | 1 | 325253001/0 | Hook | |
| 26 | 1 | 122524970/2 | Fulcrum Pin | |
| 27 | 1 | 325670011/0 | Antifriction Washer | |
| 28 | 1 | 112155000/0 | Nut | |
| 29 | 1 | 125033097/0 | Rod | |
| 30 | 1 | 124487997/0 | Cotter Pin | |
| 31 | 1 | 125430213/0 | Spring | |
| 32 | 1 | 112523040/0 | Washer | |
| 33 | 1 | 325592001/0 | Knob | |
| 34 | 1 | 325592002/0 | Knob | |
| 35 | 1 | 112727815/0 | Screw | |
| 41 | 1 | 382000389/1 | Drive Pedal | |
| 42 | 1 | 325110417/0 | Clamp Cover Front | |
| 43 | 1 | 325110418/0 | Clamp Cover Rear | |
| 44 | 4 | 325785354/0 | Support | |
| 45 | 4 | 325034003/0 | Brass | |
| 46 | 4 | 112815271/0 | Screw | |
| 47 | 4 | 112523040/0 | Washer | |
| 48 | 4 | 112154510/0 | Nut | |
| 50 | 1 | 382000579/0 | Rod | |
| 51 | 1 | 112523040/0 | Washer | |
| 52 | 1 | 112154510/0 | Nut | |
| 53 | 1 | 112521360/0 | Washer | |
| 54 | 1 | 112523040/0 | Washer | |
| 55 | 1 | 112154510/0 | Nut | |
| 61 | 1 | 325774477/0 | Clamp | |
| 62 | 2 | 112815210/0 | Screw | |
| 63 | 2 | 112292102/0 | Nut | |
| 64 | 1 | 125040638/0 | Bushing | |
| 65 | 1 | 325022000/1 | Hook | |
| 66 | 1 | 112691100/0 | Screw | |
| 67 | 1 | 112523060/0 | Washer | |
| 68 | 1 | 322672152/0 | Antifriction Washer | |
| 69 | 1 | 112155000/0 | Nut | |



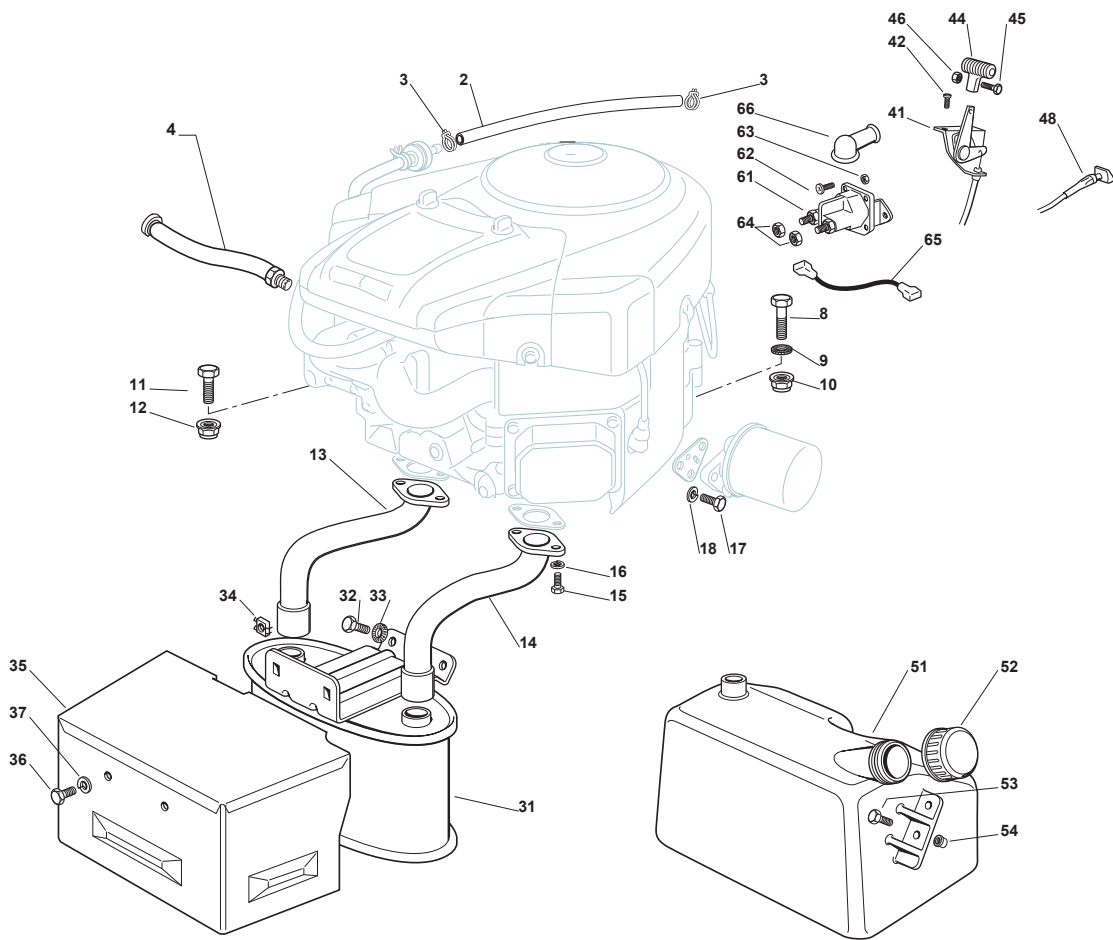
| Fig. | Q.ty | Part No | Description | Notes |
|------|------|-------------|----------------------|-------|
| 70 | 1 | 125033091/0 | Rod | |
| 71 | 1 | 124487995/0 | Cotter Pin | |
| 72 | 1 | 125430232/0 | Spring | |
| 73 | 1 | 325605002/0 | Button | |
| 74 | 1 | 112726389/0 | Screw | |
| 75 | 1 | 112290800/0 | Nut | |
| 76 | 1 | 325060050/0 | Cam | |
| 77 | 1 | 112789100/0 | Screw | |
| 78 | 2 | 112154330/0 | Nut | |
| 79 | 2 | 325755071/0 | Angle Bracket | |
| 80 | 1 | 325785479/0 | Micro Switch Bracket | |
| 81 | 2 | 112791400/0 | Screw | |
| 82 | 2 | 112292102/0 | Nut | |
| 83 | 1 | 119410614/0 | Microswitch | |



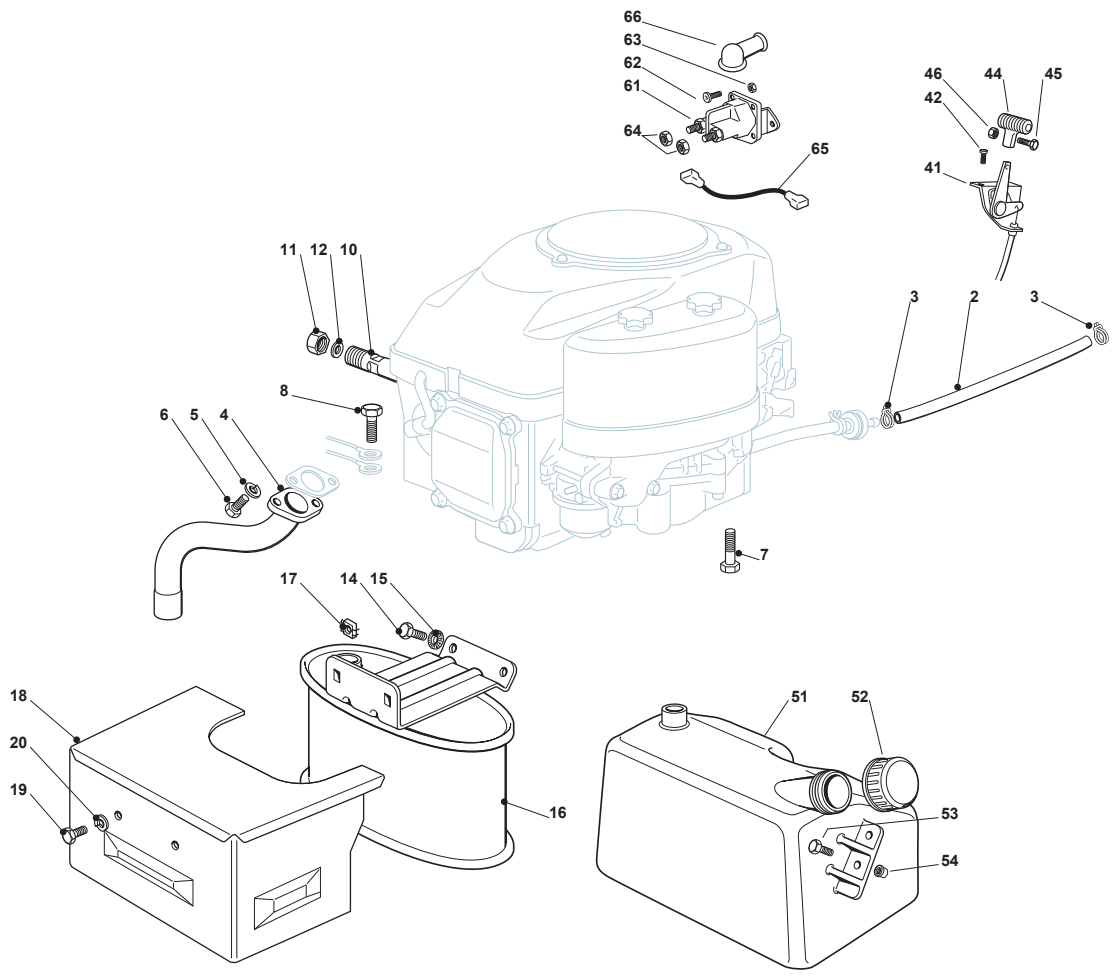
| Fig. | Q.ty | Part No | Description | Notes |
|------|------|--------------|--------------------|-------|
| 61 | 1 | 118736113/0 | Starter Relay | |
| 2 | 1 | 325869016/1 | Connecting Tube | |
| 3 | 2 | 118375051/1 | Fair Led | |
| 4 | 1 | 118738224/0 | Exhaust Conn. Tube | |
| 5 | 2 | 112583500/0 | Grower | |
| 6 | 2 | 112735530/0 | Screw | |
| 7 | 1 | 112691115/0 | Screw | |
| 8 | 1 | 112540260/0 | Grower | |
| 9 | 1 | 112154210/0 | Nut | |
| 12 | 1 | 1134-5827-01 | Oil Drain Assy | |
| 14 | 2 | 112793102/0 | Screw | |
| 15 | 2 | 112540260/0 | Grower | |
| 16 | 1 | 182750010/0 | Muffler | |
| 17 | 2 | 112360425/0 | Nut | |
| 18 | 1 | 382598009/2 | Muffler Protection | |
| 19 | 2 | 112792611/0 | Screw | |
| 20 | 2 | 112583500/0 | Grower | |
| 24 | 3 | 112154210/0 | Nut | |
| 25 | 3 | 112691100/0 | Screw | |
| 41 | 1 | 182000200/1 | Throttle Cable | |
| 42 | 2 | 125943012/0 | Screw | |
| 44 | 1 | 325592000/0 | Knob | |
| 45 | 1 | 112726388/0 | Screw | |
| 46 | 1 | 112290800/0 | Nut | |
| 51 | 1 | 125735110/3 | Tank | |
| 52 | 1 | 125795000/1 | Fuel Cap | |
| 53 | 2 | 112788910/0 | Screw | |
| 54 | 2 | 112500092/0 | Rivet | |
| 62 | 2 | 112791011/0 | Screw | |
| 63 | 2 | 112292102/0 | Nut | |
| 64 | 2 | 112360352/0 | Nut | |
| 65 | 1 | 125065017/0 | Cable | |
| 66 | 1 | 118564861/1 | Protection | |



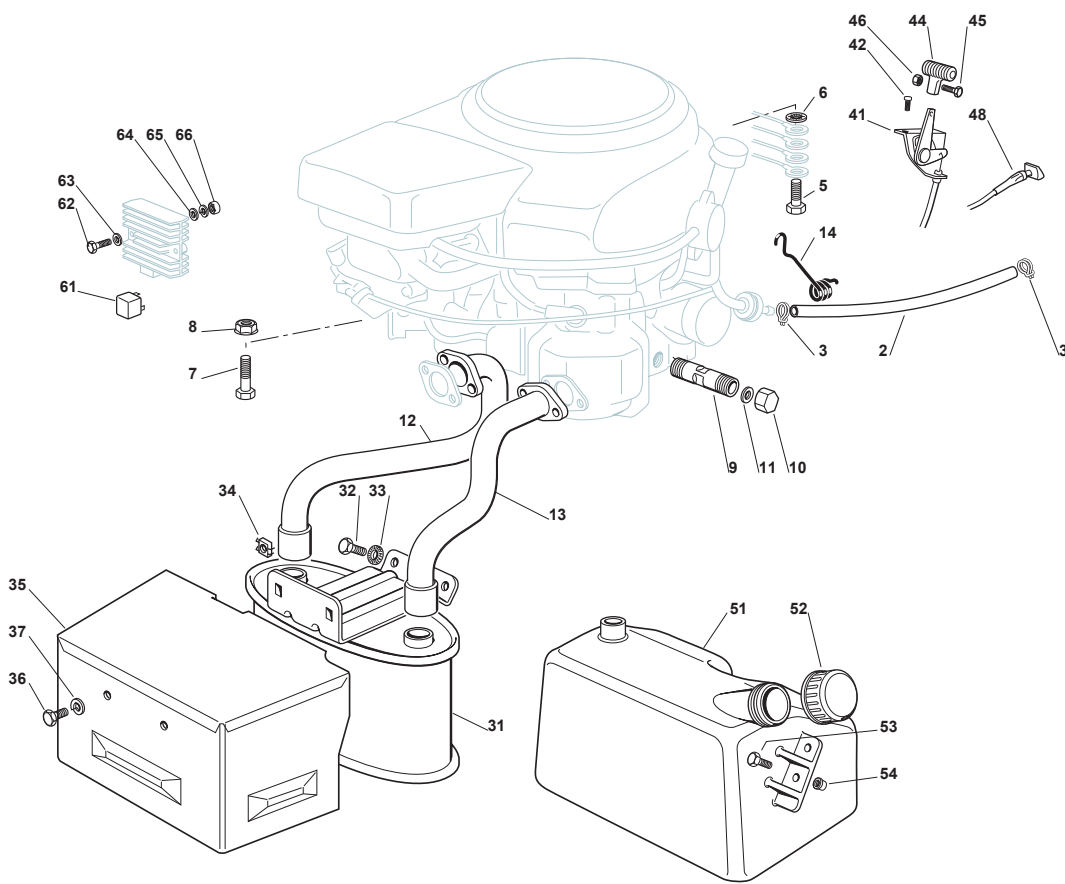
| Fig. | Q.ty | Part No | Description | Notes |
|------|------|--------------|------------------------|-------|
| 61 | 1 | 118736113/0 | Starter Relay | |
| 2 | 1 | 325869016/1 | Connecting Tube | |
| 3 | 2 | 118375051/1 | Fair Led | |
| 6 | 1 | 1134-5827-01 | Oil Drain Assy | |
| 8 | 3 | 112691100/0 | Screw | |
| 9 | 1 | 112540260/0 | Grower | |
| 10 | 1 | 112154210/0 | Nut | |
| 11 | 3 | 112154210/0 | Nut | |
| 12 | 1 | 118738206/0 | Exhaust Discharge Tube | |
| 13 | 2 | 112583500/0 | Grower | |
| 14 | 2 | 112735530/0 | Screw | |
| 15 | 1 | 112691115/0 | Screw | |
| 31 | 1 | 182750010/0 | Muffler | |
| 32 | 2 | 112793102/0 | Screw | |
| 33 | 2 | 112540260/0 | Grower | |
| 34 | 2 | 112360425/0 | Nut | |
| 35 | 1 | 382598009/2 | Muffler Protection | |
| 36 | 2 | 112792611/0 | Screw | |
| 37 | 2 | 112583500/0 | Grower | |
| 41 | 1 | 182000200/1 | Throttle Cable | |
| 42 | 2 | 125943012/0 | Screw | |
| 44 | 1 | 325592000/0 | Knob | |
| 45 | 1 | 112726388/0 | Screw | |
| 46 | 1 | 112290800/0 | Nut | |
| 51 | 1 | 125735110/3 | Tank | |
| 51 | 1 | 325735111/3 | Tank | |
| 52 | 1 | 125795000/1 | Fuel Cap | |
| 53 | 2 | 112788910/0 | Screw | |
| 54 | 2 | 112500092/0 | Rivet | |
| 62 | 2 | 112791011/0 | Screw | |
| 63 | 2 | 112292102/0 | Nut | |
| 64 | 2 | 112360352/0 | Nut | |
| 65 | 1 | 125065017/0 | Cable | |
| 66 | 1 | 118564861/1 | Protection | |



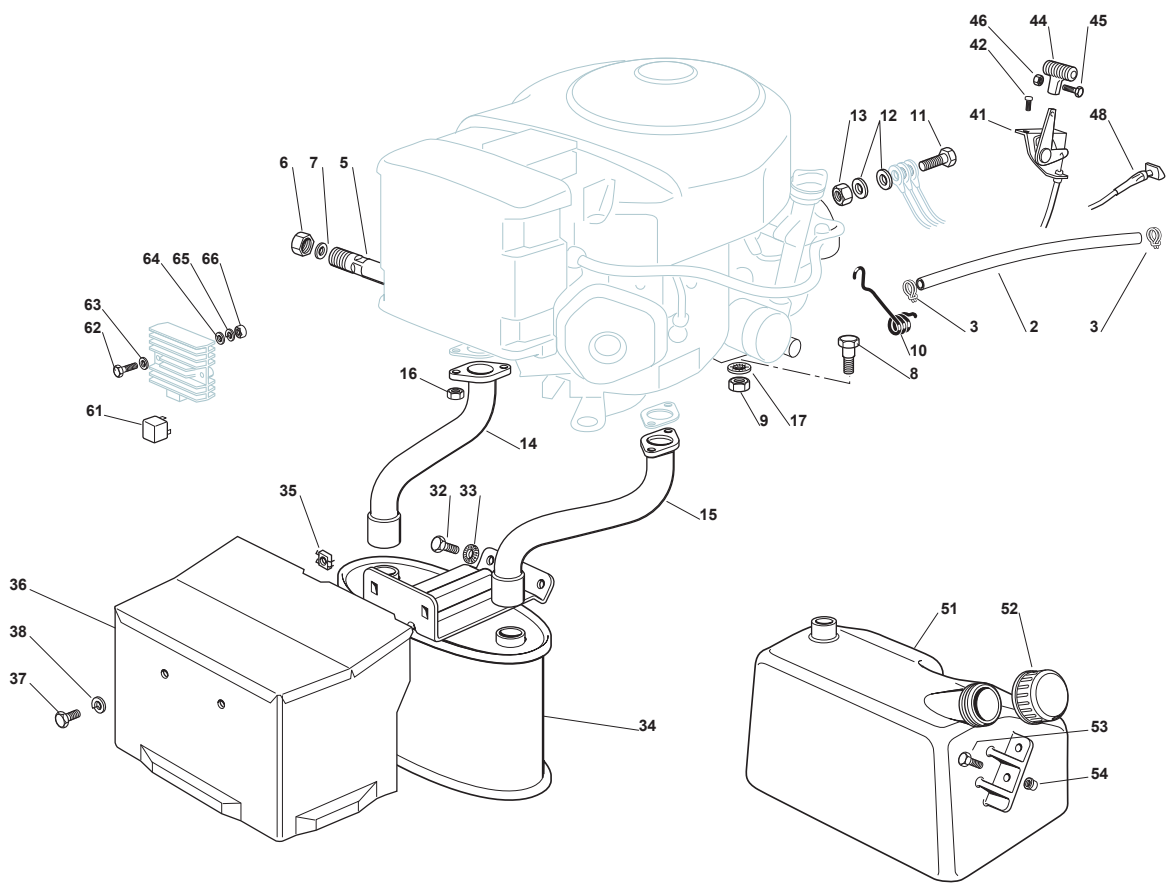
| Fig. | Q.ty | Part No | Description | Notes |
|------|------|--------------|------------------------------|-------|
| 61 | 1 | 118736113/0 | Starter Relay | |
| 2 | 1 | 325869016/1 | Connecting Tube | |
| 3 | 2 | 118375051/1 | Fair Led | |
| 4 | 1 | 1134-5827-01 | Oil Drain Assy | |
| 8 | 1 | 112691115/0 | Screw | |
| 9 | 1 | 112540260/0 | Grower | |
| 10 | 1 | 112154210/0 | Nut | |
| 11 | 3 | 112691100/0 | Screw | |
| 12 | 3 | 112154210/0 | Nut | |
| 13 | 1 | 118738214/0 | Exhaust Discharge Tube Right | |
| 14 | 1 | 118738215/0 | Exhaust Discharge Tube Left | |
| 15 | 4 | 112735530/0 | Screw | |
| 16 | 4 | 112583500/0 | Grower | |
| 17 | 3 | 112791400/0 | Screw | |
| 18 | 3 | 112582100/0 | Grower | |
| 31 | 1 | 182750011/0 | Single-Cylinder Muffler | |
| 32 | 2 | 112793102/0 | Screw | |
| 33 | 2 | 112540260/0 | Grower | |
| 34 | 2 | 112360425/0 | Nut | |
| 35 | 1 | 382598005/2 | Muffler Protection | |
| 36 | 2 | 112792611/0 | Screw | |
| 37 | 2 | 112583500/0 | Grower | |
| 41 | 1 | 182000211/1 | Accelerator | |
| 42 | 2 | 125943012/0 | Screw | |
| 44 | 1 | 325592000/0 | Knob | |
| 45 | 1 | 112726388/0 | Screw | |
| 46 | 1 | 112290800/0 | Nut | |
| 48 | 1 | 125090001/2 | Choke Control | |
| 51 | 1 | 325735111/3 | Tank | |
| 52 | 1 | 125795000/1 | Fuel Cap | |
| 53 | 2 | 112788910/0 | Screw | |
| 54 | 2 | 112500092/0 | Rivet | |
| 62 | 2 | 112791011/0 | Screw | |
| 63 | 2 | 112292102/0 | Nut | |
| 64 | 2 | 112360352/0 | Nut | |
| 65 | 1 | 125065017/0 | Cable | |
| 66 | 1 | 118564861/1 | Protection | |



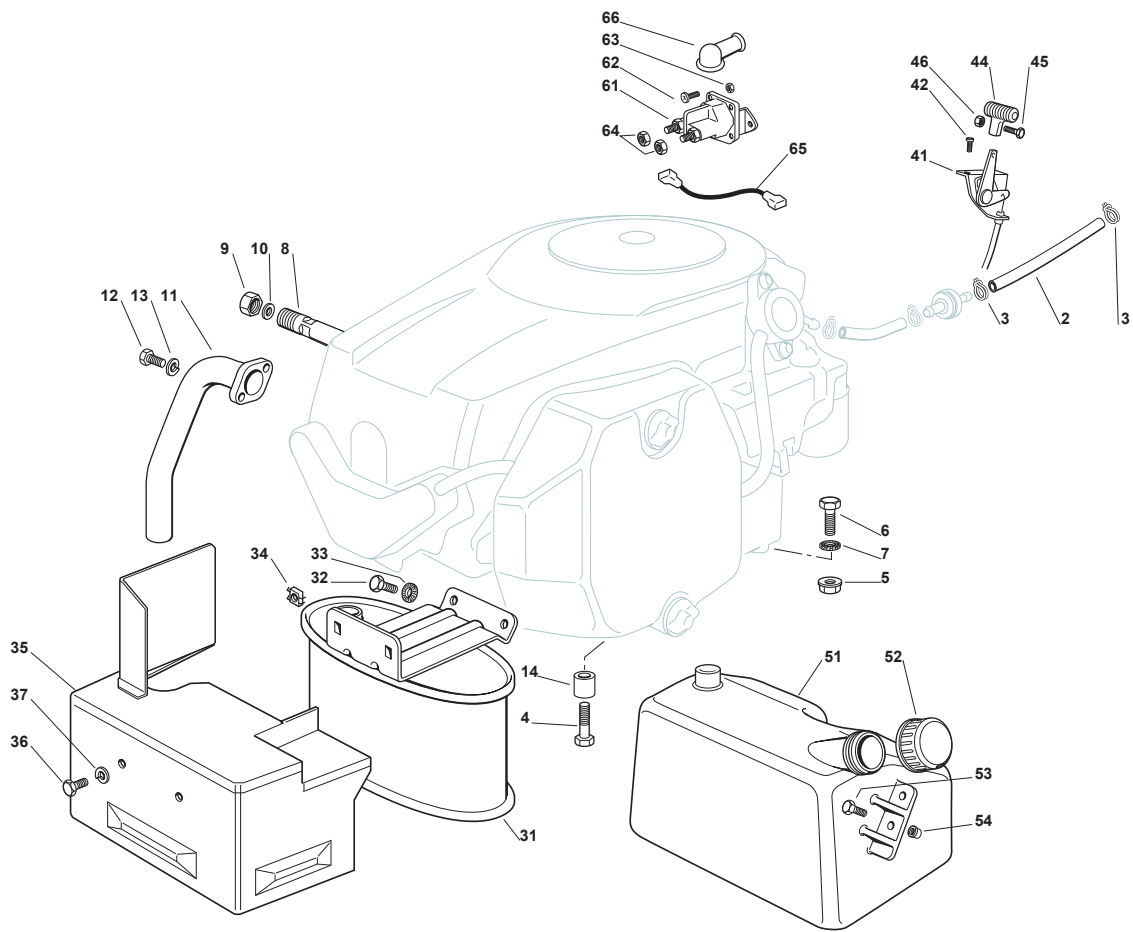
| Fig. | Q.ty | Part No | Description | Notes |
|------|------|-------------|-----------------------------|------------------------|
| 2 | 1 | 325869057/0 | Fuel Tube Connecting Tube | |
| 3 | 4 | 118375051/1 | Fair Led | |
| 4 | 1 | 118738231/1 | Exhaust Tube | |
| 5 | 2 | 112583500/0 | Grower | |
| 6 | 2 | 112737450/0 | Screw | |
| 7 | 4 | 112735108/1 | Screw | |
| 8 | 1 | 112735599/0 | Screw | |
| 10 | 1 | 127598060/0 | Oil Discharge Extension | |
| 11 | 1 | 118737849/0 | Plug | |
| 12 | 1 | 118401001/1 | Oil Seal | |
| 14 | 2 | 112793102/0 | Screw | |
| 15 | 2 | 112540260/0 | Grower | |
| 16 | 1 | 182750010/0 | Muffler | |
| 17 | 2 | 112360425/0 | Nut | |
| 18 | 1 | 382598039/0 | Guard | |
| 19 | 2 | 112792611/0 | Screw | |
| 20 | 2 | 112583500/0 | Grower | |
| 41 | 1 | 182000212/0 | Accelerator | |
| 42 | 2 | 125943012/0 | Screw | |
| 44 | 1 | 125394501/0 | Knob | |
| 45 | 1 | 112726388/0 | Screw | |
| 46 | 1 | 112290800/0 | Nut | |
| 51 | 1 | 125735110/3 | Tank | without Fuel Indicator |
| 51 | 1 | 325735111/3 | Tank | with Fuel Indicator |
| 52 | 1 | 125795000/1 | Fuel Cap | |
| 53 | 2 | 112788910/0 | Screw | |
| 54 | 2 | 112500092/0 | Rivet | |
| 61 | 1 | 118736110/0 | Starter Relay | |
| 62 | 2 | 112791011/0 | Screw | |
| 63 | 2 | 112292102/0 | Nut | |
| 64 | 2 | 112360352/0 | Nut | |
| 65 | 1 | 125065017/0 | Cable | |
| 66 | 1 | 118564861/1 | Protection | |



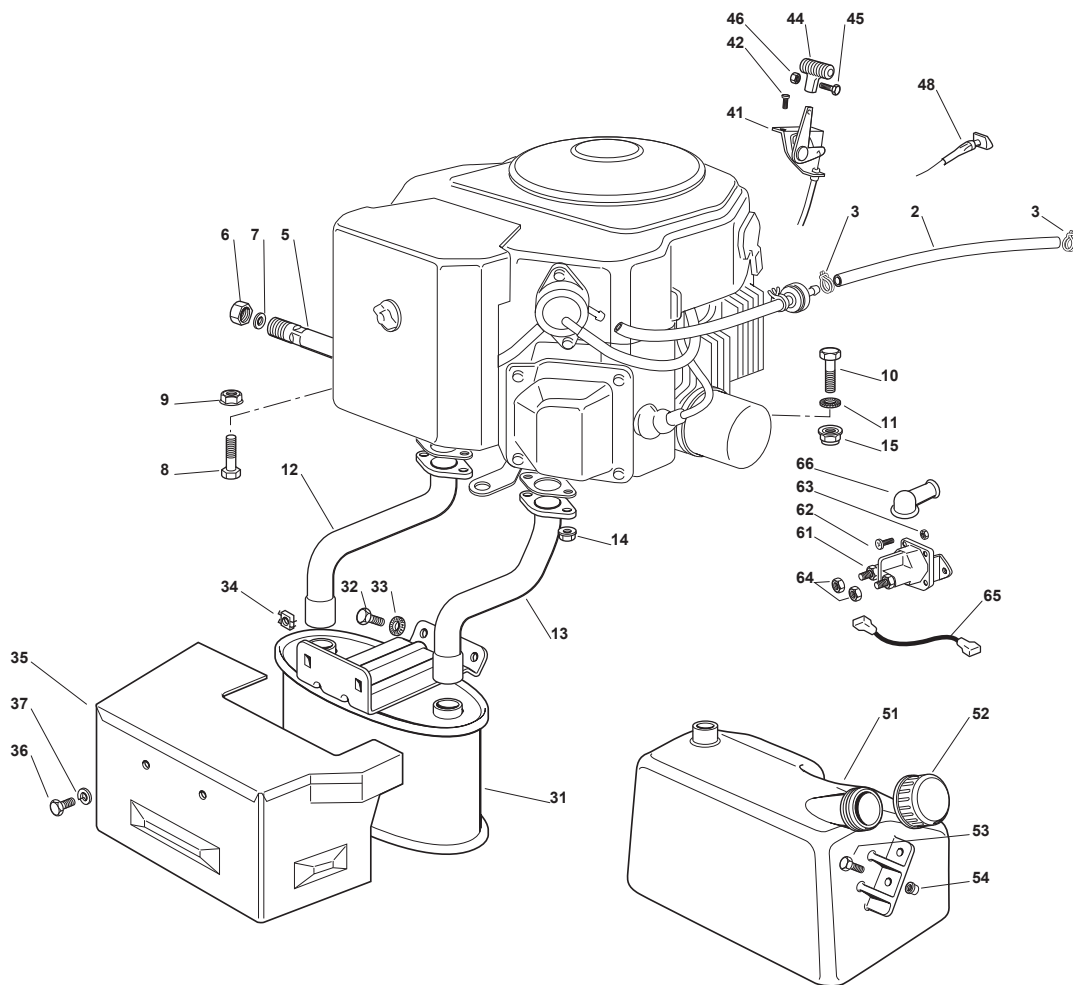
| Fig. | Q.ty | Part No | Description | Notes |
|------|------|-------------|--------------------------|------------------------|
| 14 | 1 | 127430561/0 | Spring | |
| 2 | 1 | 325869027/1 | Connecting Tube | |
| 3 | 2 | 118375051/1 | Fair Led | |
| 5 | 1 | 112735599/0 | Screw | |
| 6 | 1 | 112540260/0 | Grower | |
| 7 | 4 | 112691115/0 | Screw | |
| 8 | 4 | 112154210/0 | Nut | |
| 9 | 1 | 125598052/0 | Oil Discharge Extension | |
| 10 | 1 | 118737849/0 | Plug | |
| 11 | 1 | 118401001/1 | Oil Seal | |
| 12 | 1 | 118738221/0 | Exhaust Tube Right | |
| 13 | 1 | 118738222/0 | Right Exhaust Connection | |
| 31 | 1 | 182750003/0 | Muffler Assy | |
| 32 | 2 | 112793102/0 | Screw | |
| 33 | 2 | 112540260/0 | Grower | |
| 34 | 2 | 112360425/0 | Nut | |
| 35 | 1 | 382598005/2 | Muffler Protection | |
| 36 | 2 | 112792611/0 | Screw | |
| 37 | 2 | 112583500/0 | Grower | |
| 41 | 1 | 182000201/2 | Accelerator | |
| 42 | 2 | 125943012/0 | Screw | |
| 44 | 1 | 125394501/0 | Knob | |
| 45 | 1 | 112726388/0 | Screw | |
| 46 | 1 | 112290800/0 | Nut | |
| 48 | 1 | 125090001/2 | Choke Control | |
| 51 | 1 | 125735110/3 | Tank | without Fuel Indicator |
| 51 | 1 | 325735111/3 | Tank | with Fuel Indicator |
| 52 | 1 | 125795000/1 | Fuel Cap | |
| 53 | 2 | 112788910/0 | Screw | |
| 54 | 2 | 112500092/0 | Rivet | |
| 61 | 1 | 133567000/0 | Relay | |
| 62 | 2 | 112791500/0 | Screw | |
| 63 | 2 | 112521330/0 | Washer | |
| 64 | 2 | 112521330/0 | Washer | |
| 65 | 2 | 112582100/0 | Grower | |
| 66 | 2 | 112292100/0 | Nut | |



| Fig. | Q.ty | Part No | Description | Notes |
|------|------|-------------|------------------------------|------------------------|
| 2 | 1 | 325869033/1 | Fuel Tube | |
| 3 | 2 | 118375051/1 | Fair Led | |
| 5 | 1 | 127598061/1 | Oil Discharge Extension | |
| 6 | 1 | 118737849/0 | Plug | |
| 7 | 1 | 118401001/1 | Oil Seal | |
| 8 | 4 | 125510028/1 | Pin | |
| 9 | 4 | 112154210/0 | Nut | |
| 10 | 1 | 127430561/0 | Spring | |
| 11 | 1 | 112691115/0 | Screw | |
| 12 | 2 | 112521350/0 | Washer | |
| 13 | 1 | 112293201/0 | Nut | |
| 14 | 1 | 118738243/0 | Exhaust Discharge Tube Right | |
| 15 | 1 | 118738244/0 | Exhaust Discharge Tube Left | |
| 16 | 4 | 112293201/0 | Nut | |
| 17 | 1 | 112540260/0 | Grower | |
| 32 | 2 | 112793102/0 | Screw | |
| 33 | 2 | 112540260/0 | Grower | |
| 34 | 1 | 182750003/0 | Muffler Assy | |
| 35 | 2 | 112360425/0 | Nut | |
| 36 | 1 | 382598051/0 | Guard | |
| 37 | 2 | 112792611/0 | Screw | |
| 38 | 2 | 112583500/0 | Grower | |
| 41 | 1 | 182000219/0 | Accelerator | |
| 42 | 2 | 125943012/0 | Screw | |
| 44 | 1 | 125394501/0 | Knob | |
| 45 | 1 | 112726388/0 | Screw | |
| 46 | 1 | 112290800/0 | Nut | |
| 48 | 1 | 125090007/0 | Choke Control | |
| 51 | 1 | 125735110/3 | Tank | without Fuel Indicator |
| 51 | 1 | 325735111/3 | Tank | with Fuel Indicator |
| 52 | 1 | 125795000/1 | Fuel Cap | |
| 53 | 2 | 112788910/0 | Screw | |
| 54 | 2 | 112500092/0 | Rivet | |
| 61 | 1 | 133567000/0 | Relay | |
| 62 | 2 | 112791500/0 | Screw | |
| 63 | 2 | 112521330/0 | Washer | |
| 64 | 2 | 112521330/0 | Washer | |
| 65 | 2 | 112582100/0 | Grower | |
| 66 | 2 | 112292100/0 | Nut | |



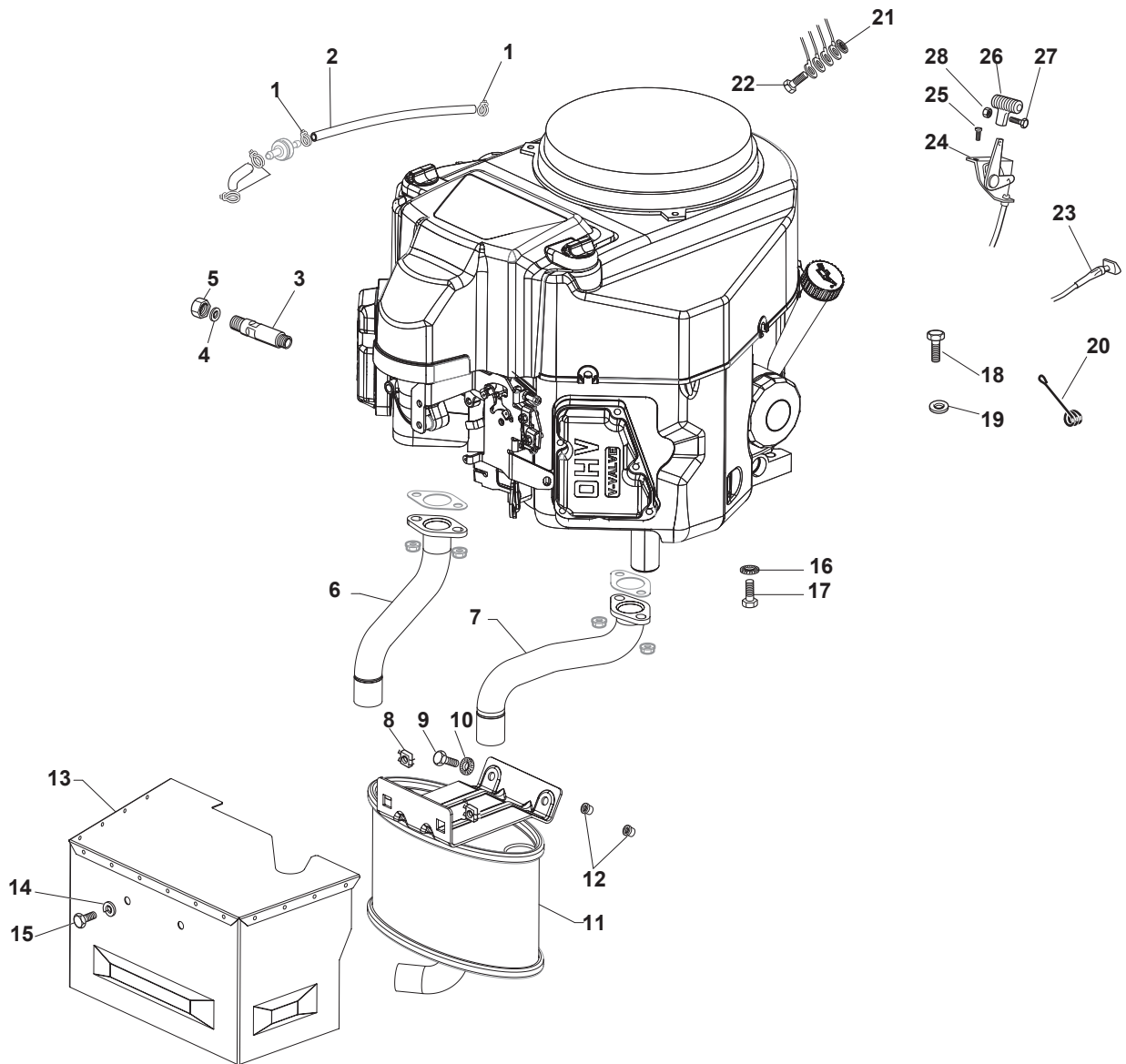
| Fig. | Q.ty | Part No | Description | Notes |
|------|------|-------------|---------------------------|------------------------|
| 61 | 1 | 118736113/0 | Starter Relay | |
| 2 | 1 | 325869016/1 | Connecting Tube | |
| 3 | 2 | 118375051/1 | Fair Led | |
| 4 | 3 | 112735108/1 | Screw | |
| 5 | 1 | 112154210/0 | Nut | |
| 6 | 1 | 112691115/0 | Screw | |
| 7 | 1 | 112540260/0 | Grower | |
| 8 | 1 | 127598060/0 | Oil Discharge Extension | |
| 9 | 1 | 118737849/0 | Plug | |
| 10 | 1 | 118401001/1 | Oil Seal | |
| 11 | 1 | 118738227/0 | Exhaust Pipe Kohler 16-18 | |
| 12 | 2 | 112735530/0 | Screw | |
| 13 | 2 | 112583500/0 | Grower | |
| 14 | 3 | 125160035/0 | Spacer | |
| 31 | 1 | 182750010/0 | Muffler | |
| 32 | 2 | 112793102/0 | Screw | |
| 33 | 2 | 112540260/0 | Grower | |
| 34 | 2 | 112360425/0 | Nut | |
| 35 | 1 | 382598029/0 | Muffler Protection | |
| 36 | 2 | 112792611/0 | Screw | |
| 37 | 2 | 112583500/0 | Grower | |
| 41 | 1 | 182000200/1 | Throttle Cable | |
| 42 | 2 | 125943012/0 | Screw | |
| 44 | 1 | 125394501/0 | Knob | |
| 45 | 1 | 112726388/0 | Screw | |
| 46 | 1 | 112290800/0 | Nut | |
| 51 | 1 | 125735110/3 | Tank | without Fuel Indicator |
| 51 | 1 | 325735111/3 | Tank | with Fuel Indicator |
| 52 | 1 | 125795000/1 | Fuel Cap | |
| 53 | 2 | 112788910/0 | Screw | |
| 54 | 2 | 112500092/0 | Rivet | |
| 62 | 2 | 112791011/0 | Screw | |
| 63 | 2 | 112292102/0 | Nut | |
| 64 | 2 | 112360352/0 | Nut | |
| 65 | 1 | 125065017/0 | Cable | |
| 66 | 1 | 118564861/1 | Protection | |



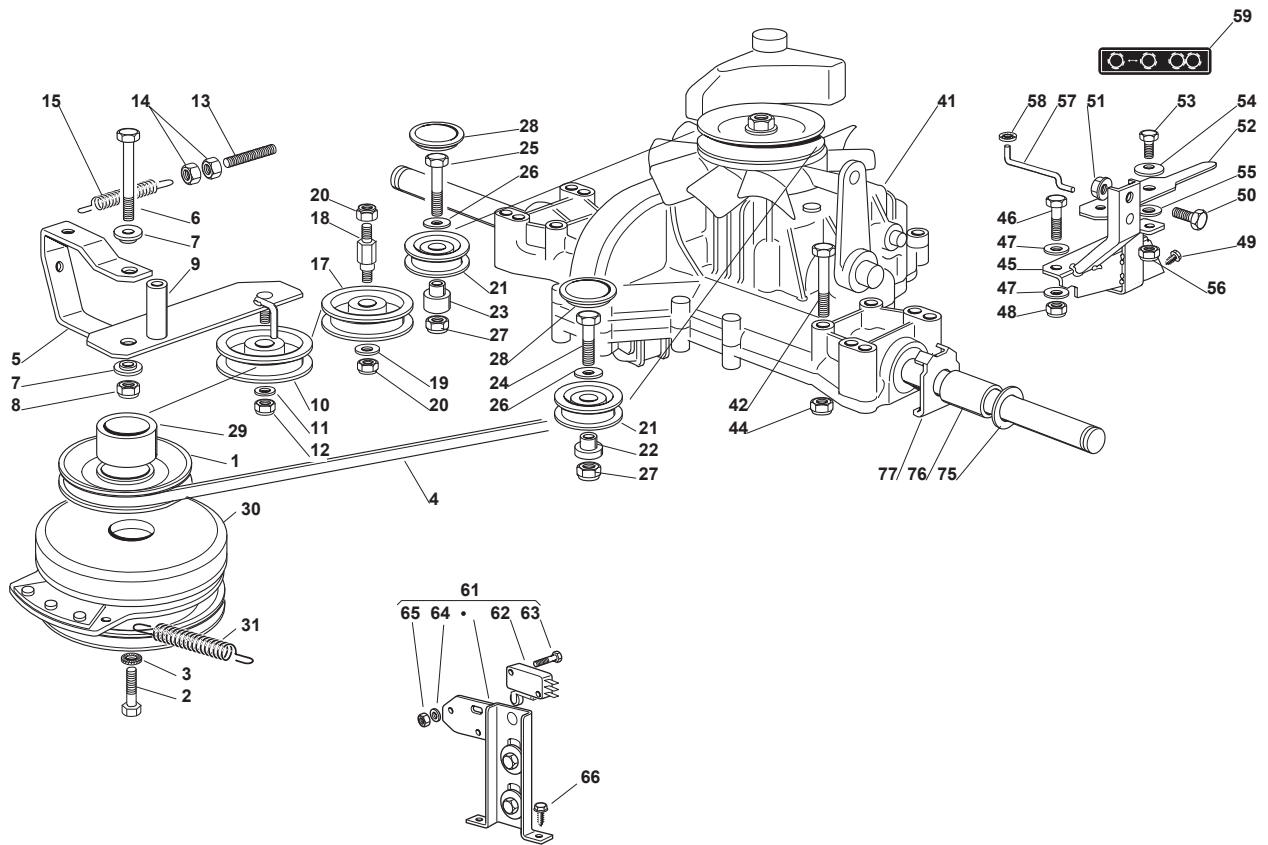
| Fig. | Q.ty | Part No | Description | Notes |
|------|------|-------------|--------------------------------|------------------------|
| 61 | 1 | 118736113/0 | Starter Relay | |
| 2 | 1 | 325869016/1 | Connecting Tube | |
| 3 | 2 | 118375051/1 | Fair Led | |
| 5 | 1 | 125598050/0 | Oil Discharge Extension | |
| 6 | 1 | 118737849/0 | Plug | |
| 7 | 1 | 118401001/1 | Oil Seal | |
| 8 | 3 | 112691100/0 | Screw | |
| 8 | 3 | 112735108/0 | Screw | |
| 9 | 3 | 112154210/0 | Nut | |
| 10 | 1 | 112691115/0 | Screw | |
| 11 | 1 | 112540260/0 | Grower | |
| 12 | 1 | 118738207/1 | Right Exhaust Pipe Kohler 22Hp | |
| 13 | 1 | 118738208/1 | Exhaust Tube Left | |
| 14 | 4 | 112293201/0 | Nut | |
| 15 | 1 | 112154210/0 | Nut | |
| 31 | 1 | 182750003/0 | Muffler Assy | |
| 32 | 2 | 112793102/0 | Screw | |
| 33 | 2 | 112540260/0 | Grower | |
| 34 | 2 | 112360425/0 | Nut | |
| 35 | 1 | 382598013/1 | Guard | |
| 36 | 2 | 112792611/0 | Screw | |
| 37 | 2 | 112583500/0 | Grower | |
| 41 | 1 | 182000204/1 | Throttle Cable | |
| 42 | 2 | 125943012/0 | Screw | |
| 44 | 1 | 125394501/0 | Knob | |
| 45 | 1 | 112726388/0 | Screw | |
| 46 | 1 | 112290800/0 | Nut | |
| 48 | 1 | 125090004/0 | Choke Control | |
| 51 | 1 | 125735110/3 | Tank | without Fuel Indicator |
| 51 | 1 | 325735111/3 | Tank | with Fuel Indicator |
| 52 | 1 | 125795000/1 | Fuel Cap | |
| 53 | 2 | 112788910/0 | Screw | |
| 54 | 2 | 112500092/0 | Rivet | |
| 62 | 2 | 112791011/0 | Screw | |
| 63 | 2 | 112292102/0 | Nut | |
| 64 | 2 | 112360352/0 | Nut | |
| 65 | 1 | 125065017/0 | Cable | |
| 66 | 1 | 118564861/1 | Protection | |



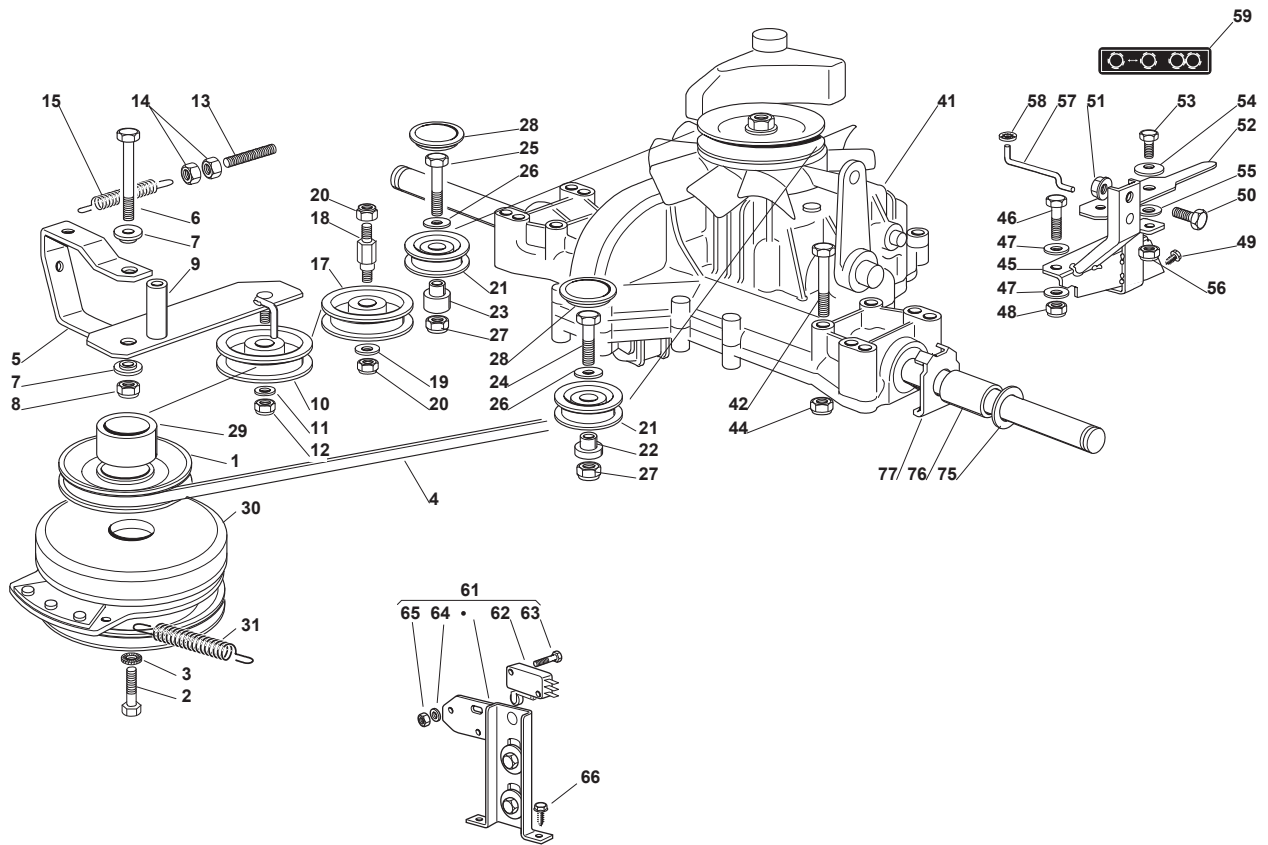
| Fig. | Q.ty | Part No | Description | Notes |
|------|------|-------------|-----------------------------|-------|
| 1 | 2 | 118375051/1 | Fair Led | |
| 2 | 1 | 325869057/0 | Fuel Tube Connecting Tube | |
| 3 | 1 | 127598060/0 | Oil Discharge Extension | |
| 4 | 1 | 118401001/1 | Oil Seal | |
| 5 | 1 | 118737849/0 | Plug | |
| 6 | 1 | 118738254/0 | Left Exhaust Connection | |
| 7 | 1 | 118738255/0 | Right Exhaust Connection | |
| 8 | 3 | 112360425/0 | Nut | |
| 9 | 3 | 112793102/0 | Screw | |
| 10 | 2 | 112540260/0 | Grower | |
| 11 | 1 | 182750014/0 | Muffler | |
| 12 | 2 | 112280100/0 | Nut | |
| 13 | 1 | 382598065/0 | Muffler Protection | |
| 14 | 2 | 112792611/0 | Screw | |
| 15 | 2 | 112583500/0 | Grower | |
| 16 | 4 | 112540070/0 | Washer | |
| 17 | 4 | 112735821/0 | Screw | |
| 18 | 1 | 112792611/0 | Screw | |
| 19 | 1 | 112521350/0 | Washer | |
| 20 | 1 | 125430252/0 | Spring | |
| 21 | 3 | 112540260/0 | Grower | |
| 22 | 3 | 112793102/0 | Screw | |
| 23 | 1 | 125090001/2 | Choke Control | |
| 24 | 1 | 182000201/2 | Accelerator | |
| 25 | 2 | 125943012/0 | Screw | |
| 26 | 1 | 325592000/0 | Knob | |
| 27 | 1 | 112726388/0 | Screw | |
| 28 | 1 | 112290800/0 | Nut | |



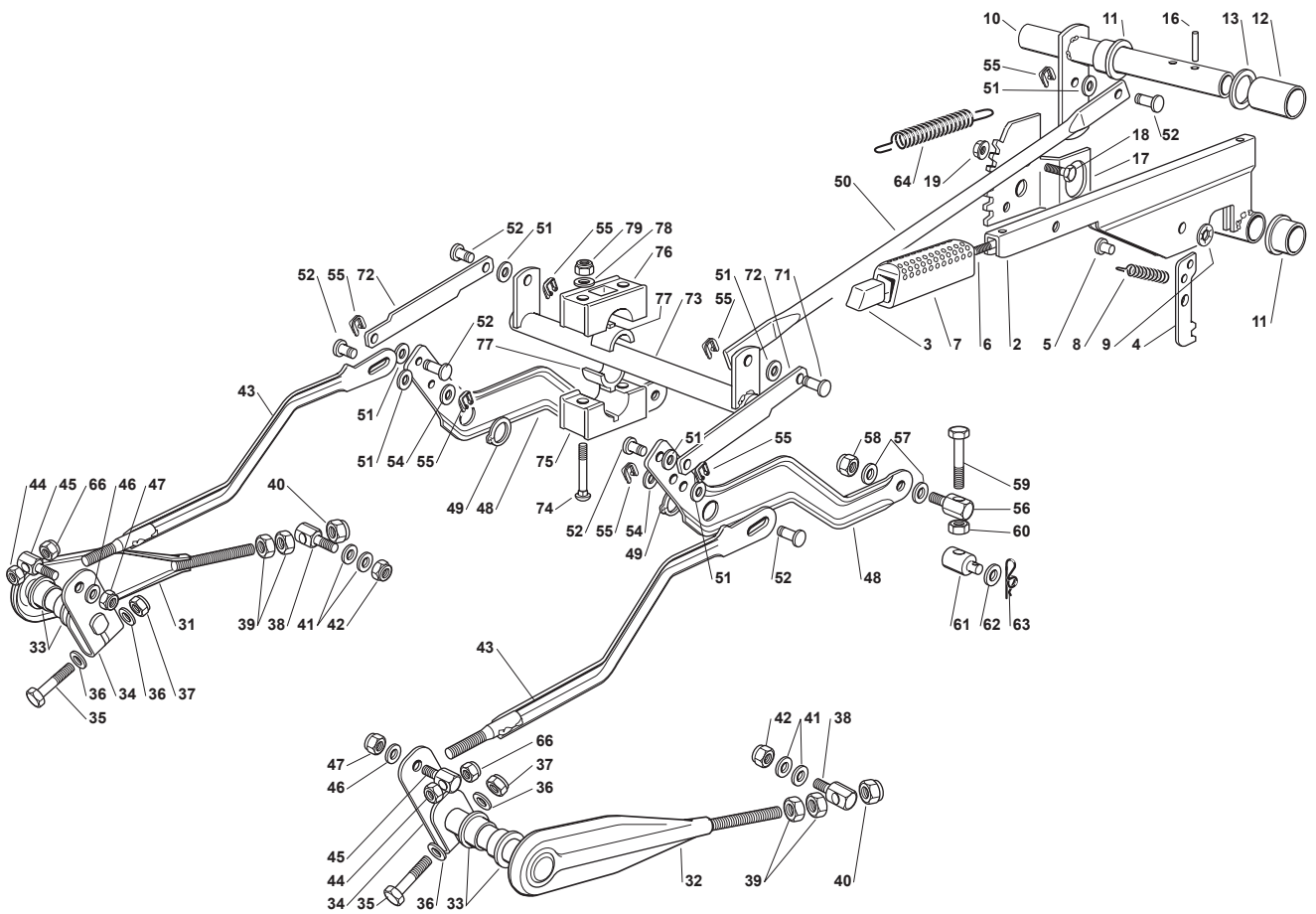
| Fig. | Q.ty | Part No | Description | Notes |
|------|------|-------------|-----------------------------|-------|
| 1 | 2 | 118375051/1 | Fair Led | |
| 2 | 1 | 325869057/0 | Fuel Tube Connecting Tube | |
| 3 | 1 | 127598060/0 | Oil Discharge Extension | |
| 4 | 1 | 118401001/1 | Oil Seal | |
| 5 | 1 | 118737849/0 | Plug | |
| 6 | 1 | 118738256/0 | Left Exhaust Connection | |
| 7 | 1 | 118738257/0 | Right Exhaust Connection | |
| 8 | 3 | 112360425/0 | Nut | |
| 9 | 3 | 112793102/0 | Screw | |
| 10 | 2 | 112540260/0 | Grower | |
| 11 | 1 | 182750014/0 | Muffler | |
| 12 | 2 | 112280100/0 | Nut | |
| 13 | 1 | 382598065/0 | Muffler Protection | |
| 14 | 2 | 112792611/0 | Screw | |
| 15 | 2 | 112583500/0 | Grower | |
| 16 | 4 | 112540070/0 | Washer | |
| 17 | 4 | 112735821/0 | Screw | |
| 18 | 1 | 112792611/0 | Screw | |
| 19 | 1 | 112521350/0 | Washer | |
| 20 | 1 | 125430252/0 | Spring | |
| 21 | 3 | 112540260/0 | Grower | |
| 22 | 3 | 112793102/0 | Screw | |
| 23 | 1 | 125090001/2 | Choke Control | |
| 24 | 1 | 182000201/2 | Accelerator | |
| 25 | 2 | 125943012/0 | Screw | |
| 26 | 1 | 325592000/0 | Knob | |
| 27 | 1 | 112726388/0 | Screw | |
| 28 | 1 | 112290800/0 | Nut | |



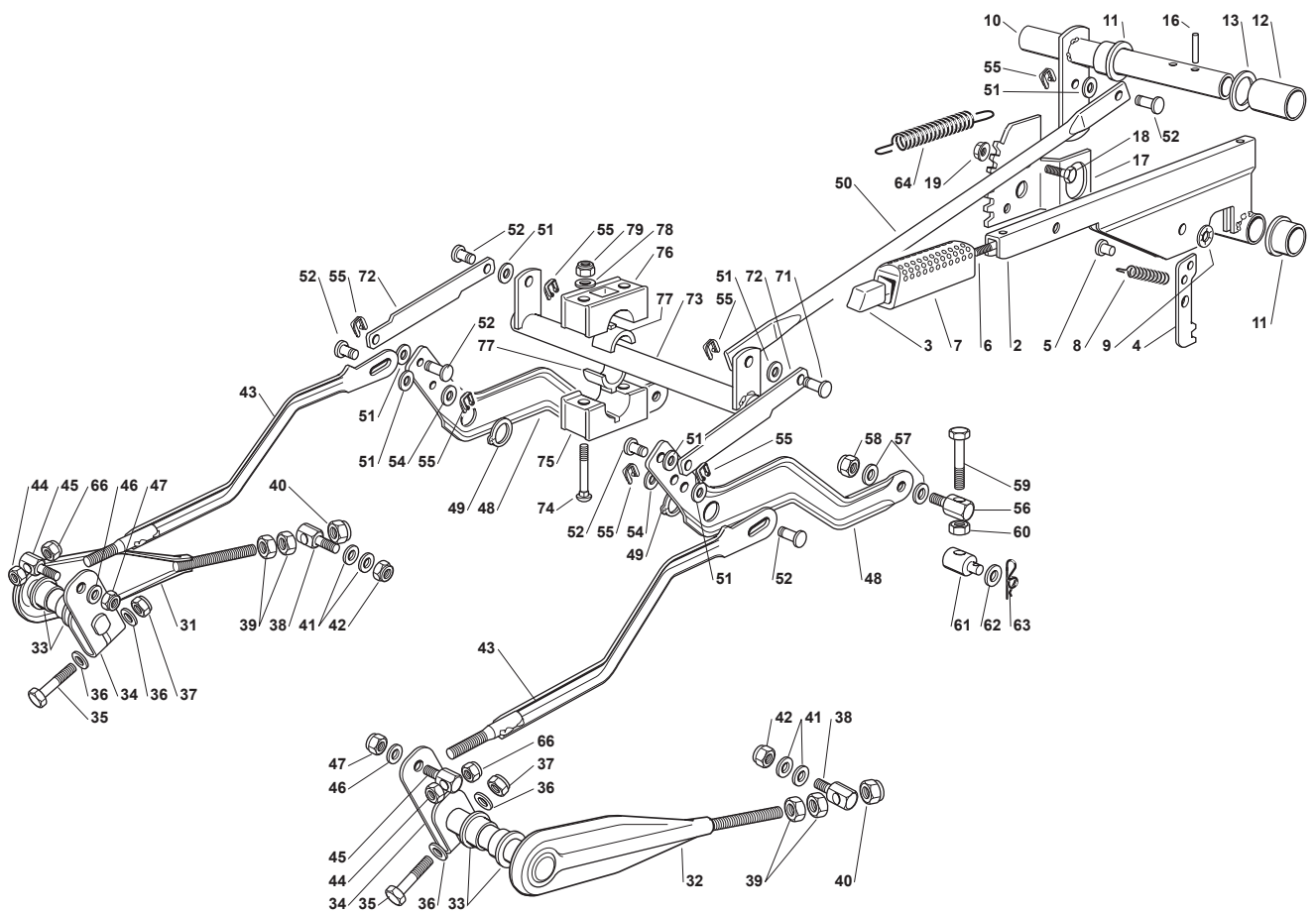
| Fig. | Q.ty | Part No | Description | Notes |
|------|------|---------------|--------------------------|-------|
| 1 | 1 | 125601566/1 | Pulley | |
| 2 | 1 | 112737320/0 | Screw | |
| 3 | 1 | 112543000/0 | Washer | |
| 4 | 1 | 135062020/1 | Trapezoidal Belt | |
| 5 | 1 | 382318165/1 | Lever | |
| 6 | 1 | 112692000/0 | Screw | |
| 7 | 2 | 125038002/1 | Bushing | |
| 8 | 1 | 112155000/0 | Nut | |
| 9 | 1 | 125160027/0 | Spacer | |
| 10 | 1 | 125601554/0 | Pulley | |
| 11 | 1 | 112523060/0 | Washer | |
| 12 | 1 | 112155000/0 | Nut | |
| 13 | 1 | 125840010/1 | Tie Rod | |
| 14 | 2 | 112293200/0 | Nut | |
| 15 | 1 | 125430219/0 | Spring | |
| 17 | 1 | 325601599/0 | Pulley | |
| 18 | 1 | 125510139/0 | Pin | |
| 19 | 1 | 112523060/0 | Washer | |
| 20 | 2 | 112155000/0 | Nut | |
| 21 | 2 | 325601570/1 | Pulley | |
| 22 | 1 | 125160030/2 | Left Spacer | |
| 23 | 1 | 125160024/2 | Right Spacer | |
| 24 | 1 | 112691115/0 | Screw | |
| 25 | 1 | 112691400/0 | Screw | |
| 26 | 2 | 112523060/0 | Washer | |
| 27 | 2 | 112155000/0 | Nut | |
| 28 | 2 | 125109521/1 | Cover | |
| 29 | 1 | 125160021/0 | Spacer | |
| 30 | 1 | 118399062/0 | Electromagnetic Clutch | |
| 31 | 1 | 125430210/1 | Brake Spring | |
| 41 | 1 | 118400950/1 | Rear Axle Tuff Torq K46F | |
| 42 | 4 | 112691800/0 | Screw | |
| 44 | 4 | 112154210/0 | Nut | |
| 45 | 1 | 382785109/0 | Support | |
| 46 | 1 | 112691200/0 | Screw | |
| 47 | 2 | 112521350/0 | Washer | |
| 48 | 1 | 112155000/0 | Nut | |
| 49 | 2 | 112735120/0 | Screw | |
| 50 | 1 | 112792611/0 | Screw | |
| 51 | 1 | 112293201/0 | Nut | |
| 52 | 1 | 325318157/0 | Lever | |
| 53 | 1 | 112793102/0 | Screw | |
| 54 | 1 | 112369500/0 | Elastic Washer | |
| 55 | 1 | 325670011/0 | Antifriction Washer | |
| 56 | 1 | 112155000/0 | Nut | |
| 57 | 1 | 125033033/0 | Rod | |
| 58 | 1 | 112604896/0 | Crown Fastener | |
| 59 | 1 | 114357423/2 | Label | |
| 61 | 1 | 382394853/0LC | Switch Ass.Y | |
| 62 | 1 | 119410609/1LC | Micro Switch | |
| 63 | 2 | 112735602/0 | Screw | |



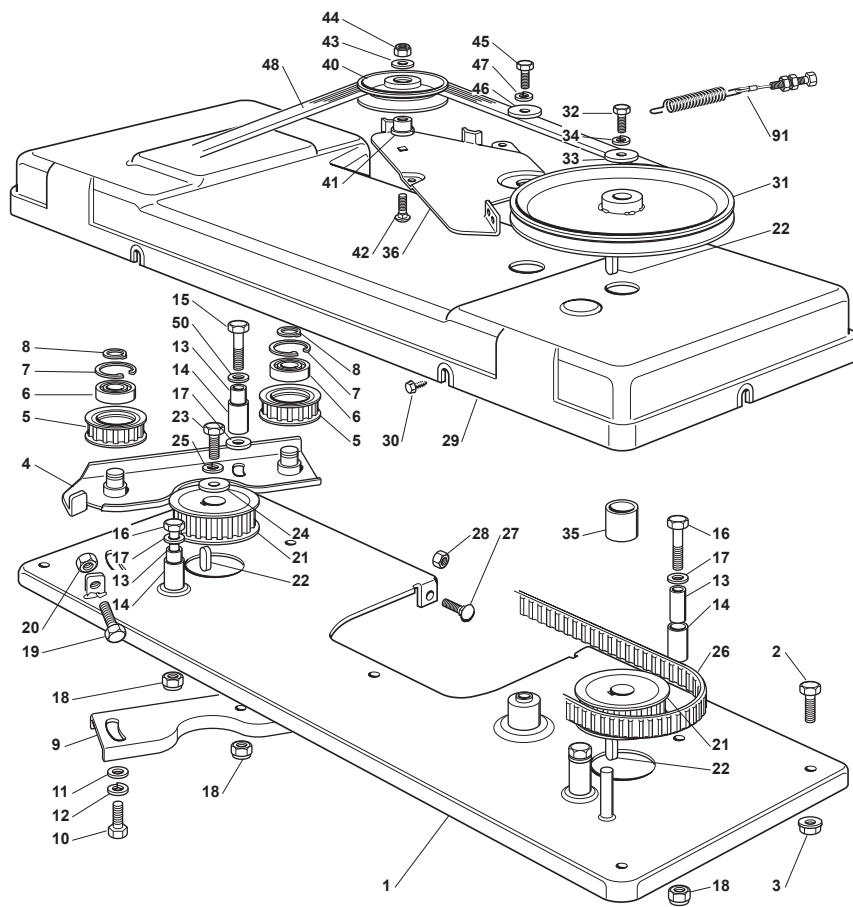
| Fig. | Q.ty | Part No | Description | Notes |
|------|------|-------------|-------------|-------|
| 64 | 2 | 112581100/0 | Grower | |
| 65 | 2 | 112290791/0 | Nut | |
| 66 | 2 | 112735110/0 | Screw | |
| 67 | 1 | 119410614/0 | Microswitch | |
| 75 | 4 | 112521410/0 | Washer | |
| 76 | 2 | 125160023/0 | Spacer | |
| 77 | 2 | 325670025/0 | Washer | |



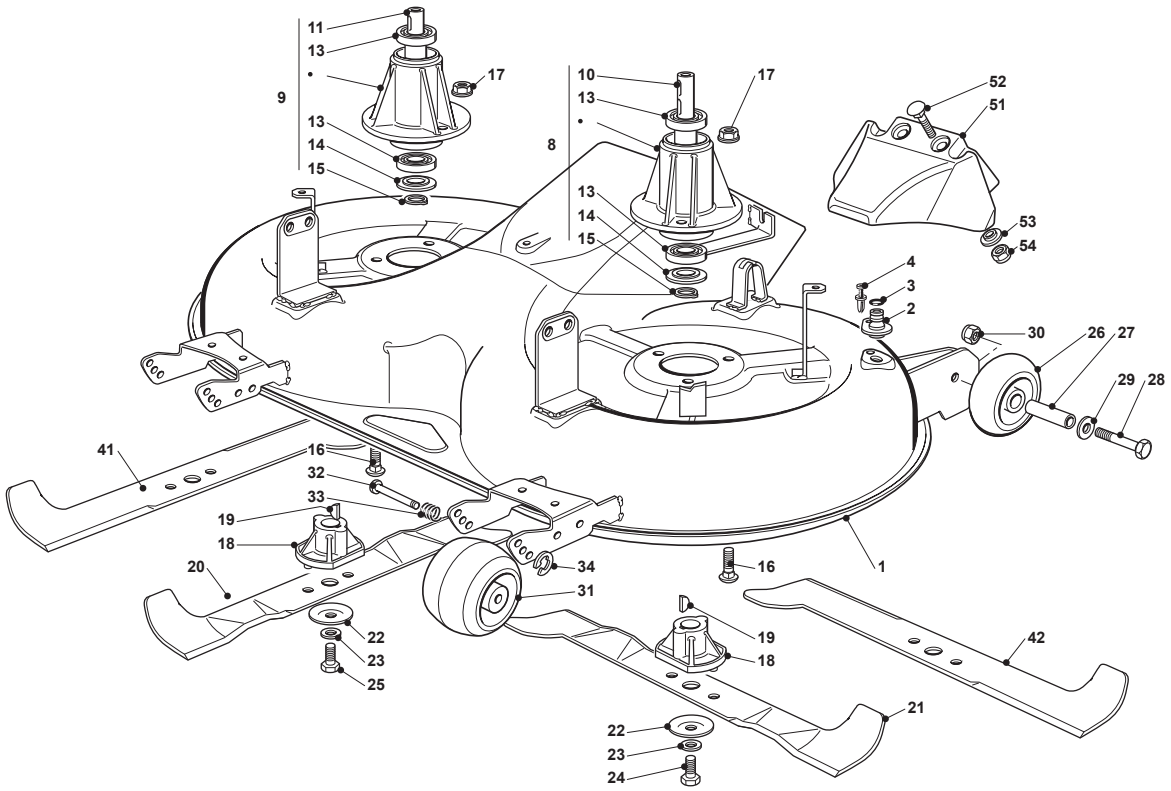
| Fig. | Q.ty | Part No | Description | Notes |
|------|------|-------------|---------------------------|-------|
| 2 | 1 | 382318139/0 | Deck Lifting Lever | |
| 3 | 1 | 125605000/1 | Button | |
| 4 | 1 | 325470901/0 | Dog | |
| 5 | 1 | 125510011/0 | Pin | |
| 6 | 1 | 125033002/0 | Push Rod | |
| 7 | 1 | 325394536/0 | Knob | |
| 8 | 1 | 125430208/0 | Spring | |
| 9 | 1 | 112604899/0 | Crown Fastener | |
| 10 | 1 | 382000551/0 | Axle | |
| 11 | 2 | 122034523/0 | Bushing | |
| 12 | 1 | 125160025/0 | Spacer | |
| 13 | 1 | 322672153/0 | Antifriction Washer | |
| 16 | 2 | 112620206/0 | Pin | |
| 17 | 1 | 325735506/1 | Left Sector | |
| 18 | 2 | 112792611/0 | Screw | |
| 19 | 2 | 112293201/0 | Nut | |
| 31 | 1 | 382318155/0 | Front Right Fulcrum Lever | |
| 32 | 1 | 382318157/0 | Left Fulcrum | |
| 33 | 4 | 125040605/0 | Bushing | |
| 34 | 2 | 325318161/0 | Lever | |
| 35 | 2 | 112691700/0 | Screw | |
| 36 | 4 | 112521350/0 | Washer | |
| 37 | 2 | 112155000/0 | Nut | |
| 38 | 2 | 125510056/0 | Pin | |
| 39 | 4 | 112295200/0 | Nut | |
| 40 | 2 | 112156602/0 | Nut | |
| 41 | 4 | 325670008/1 | Washer | |
| 42 | 2 | 112156602/0 | Nut | |
| 43 | 2 | 382000477/2 | Connecting Rod Assy | |
| 44 | 2 | 112155000/0 | Nut | |
| 45 | 2 | 125510055/1 | Pin | |
| 46 | 2 | 112521350/0 | Washer | |
| 47 | 2 | 112155000/0 | Nut | |
| 48 | 2 | 325318153/1 | Rear Lever | |
| 49 | 2 | 112609255/0 | Seeger | |
| 50 | 1 | 325033071/0 | Rod | |
| 51 | 7 | 325670011/0 | Antifriction Washer | |
| 52 | 7 | 125510117/0 | Pin | |
| 54 | 2 | 112521350/0 | Washer | |
| 55 | 7 | 112436050/0 | Plate | |
| 56 | 2 | 125510056/0 | Pin | |
| 57 | 4 | 325670008/1 | Washer | |
| 58 | 2 | 112156602/0 | Nut | |
| 59 | 2 | 112794980/0 | Screw | |
| 60 | 2 | 112295200/0 | Nut | |
| 61 | 2 | 125510070/0 | Pin | |
| 62 | 2 | 112523090/0 | Washer | |
| 63 | 2 | 124487998/0 | Cotter Pin | |
| 64 | 1 | 125430218/0 | Spring | |
| 66 | 2 | 112293200/0 | Nut | |
| 71 | 1 | 125510048/1 | Pin | |



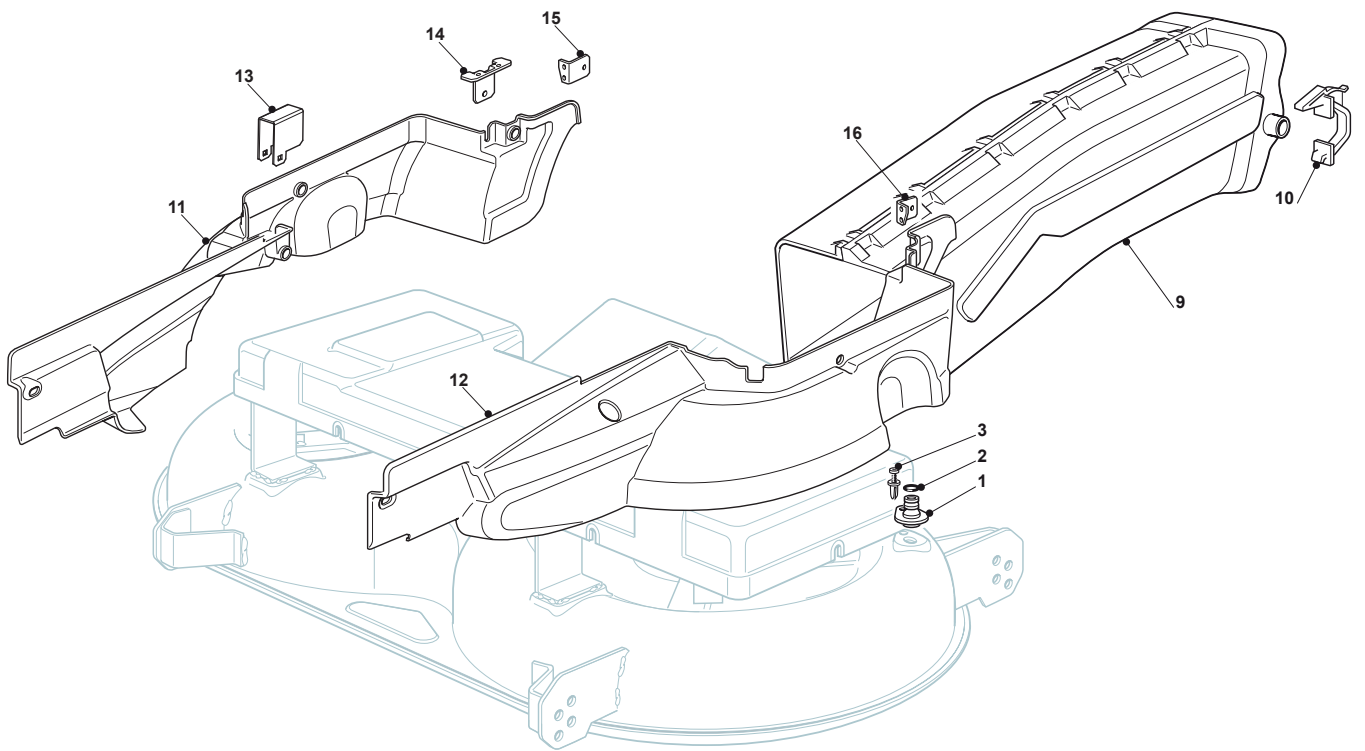
| Fig. | Q.ty | Part No | Description | Notes |
|------|------|-------------|-------------|-------|
| 72 | 2 | 325318223/0 | Gearshift | |
| 73 | 1 | 382000585/0 | Axle | |
| 74 | 4 | 112815271/0 | Screw | |
| 75 | 2 | 325785355/0 | Support | |
| 76 | 2 | 325785354/0 | Support | |
| 77 | 4 | 325034003/0 | Brass | |
| 78 | 4 | 112523040/0 | Washer | |
| 79 | 4 | 112154510/0 | Nut | |



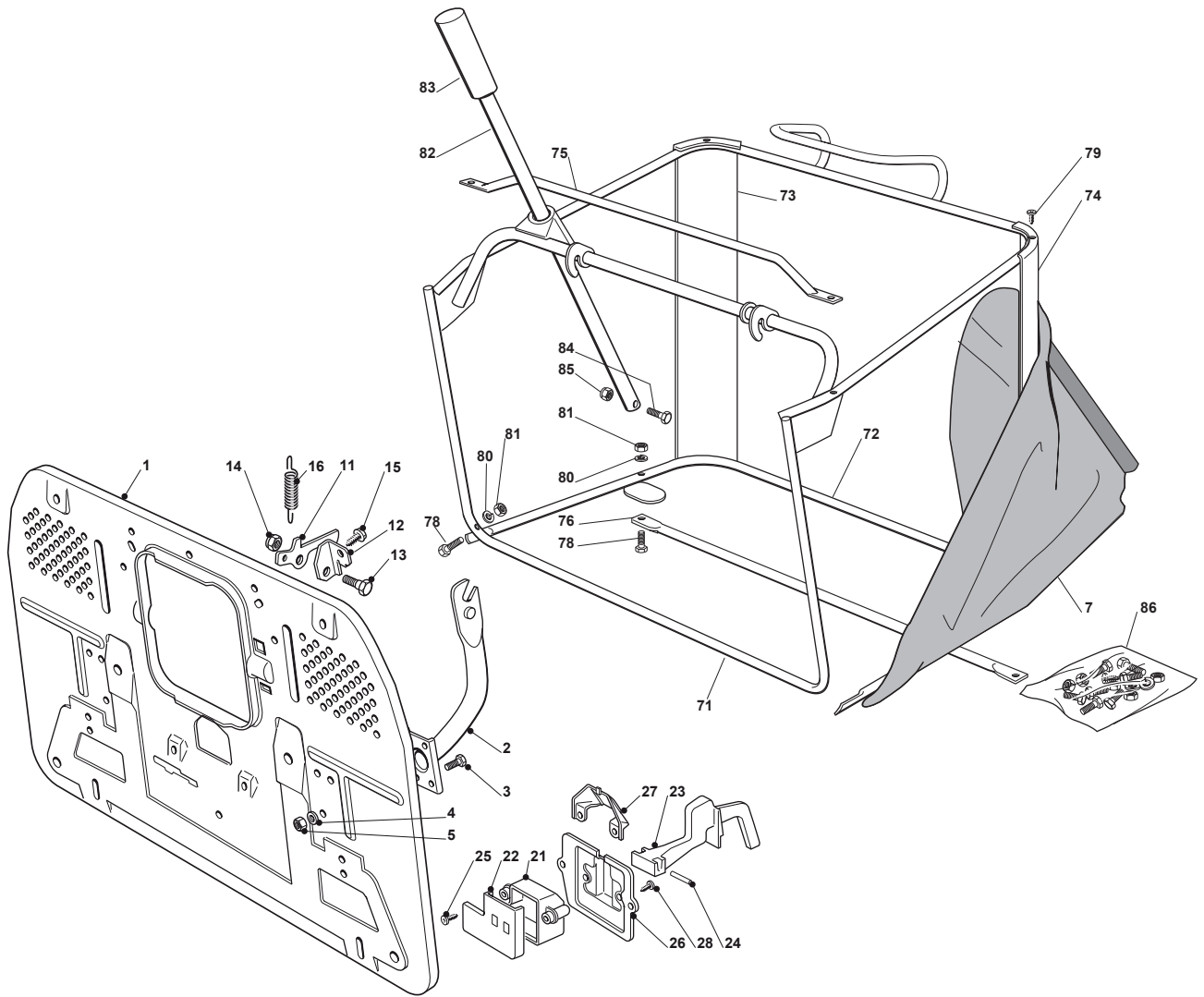
| Fig. | Q.ty | Part No | Description | Notes |
|------|------|-------------|-------------------|-------|
| 1 | 1 | 382547029/3 | Plate | |
| 13 | 4 | 125160003/2 | Spacer | |
| 50 | 1 | 122671651/0 | Washer | |
| 2 | 4 | 112792611/0 | Screw | |
| 3 | 4 | 112293201/0 | Nut | |
| 4 | 1 | 382785084/1 | Support | |
| 5 | 2 | 125601559/1 | Toothed Pulley | |
| 6 | 2 | 119216048/0 | Bearing | |
| 7 | 2 | 112610800/0 | Seeger | |
| 8 | 2 | 112609200/0 | Seeger | |
| 9 | 1 | 325650037/0 | Pulley Stiffening | |
| 10 | 2 | 112793102/0 | Screw | |
| 11 | 2 | 112521350/0 | Washer | |
| 12 | 2 | 112583500/0 | Grower | |
| 14 | 4 | 125038000/0 | Bushing | |
| 15 | 1 | 112691700/0 | Screw | |
| 16 | 3 | 112691200/0 | Screw | |
| 17 | 4 | 112521350/0 | Washer | |
| 18 | 4 | 112293201/0 | Nut | |
| 19 | 1 | 112793900/0 | Screw | |
| 20 | 1 | 112293200/0 | Nut | |
| 21 | 2 | 125601560/0 | Pulley | |
| 22 | 3 | 112139480/0 | Feather | |
| 23 | 1 | 112793102/0 | Screw | |
| 24 | 1 | 125670007/0 | Washer | |
| 25 | 1 | 112583500/0 | Grower | |
| 26 | 1 | 135065600/0 | Belt | |
| 27 | 3 | 112815200/0 | Screw | |
| 28 | 3 | 112292102/0 | Nut | |
| 29 | 1 | 125060100/3 | Protection | |
| 30 | 6 | 112735110/0 | Screw | |
| 31 | 1 | 125601550/0 | Pulley | |
| 32 | 1 | 112793102/0 | Screw | |
| 33 | 1 | 125670007/0 | Washer | |
| 34 | 1 | 112583500/0 | Grower | |
| 35 | 1 | 125160002/0 | Spacer | |
| 36 | 1 | 325318115/1 | Lever | |
| 40 | 1 | 325601599/0 | Pulley | |
| 41 | 1 | 125160079/0 | Spacer | |
| 42 | 1 | 112818900/0 | Screw | |
| 43 | 1 | 112523060/0 | Washer | |
| 44 | 1 | 112155000/0 | Nut | |
| 45 | 1 | 112793102/0 | Screw | |
| 46 | 1 | 112523070/0 | Washer | |
| 47 | 1 | 112583500/0 | Grower | |
| 48 | 1 | 135062811/0 | Belt | |
| 91 | 1 | 182004608/0 | Engagging Cable | |



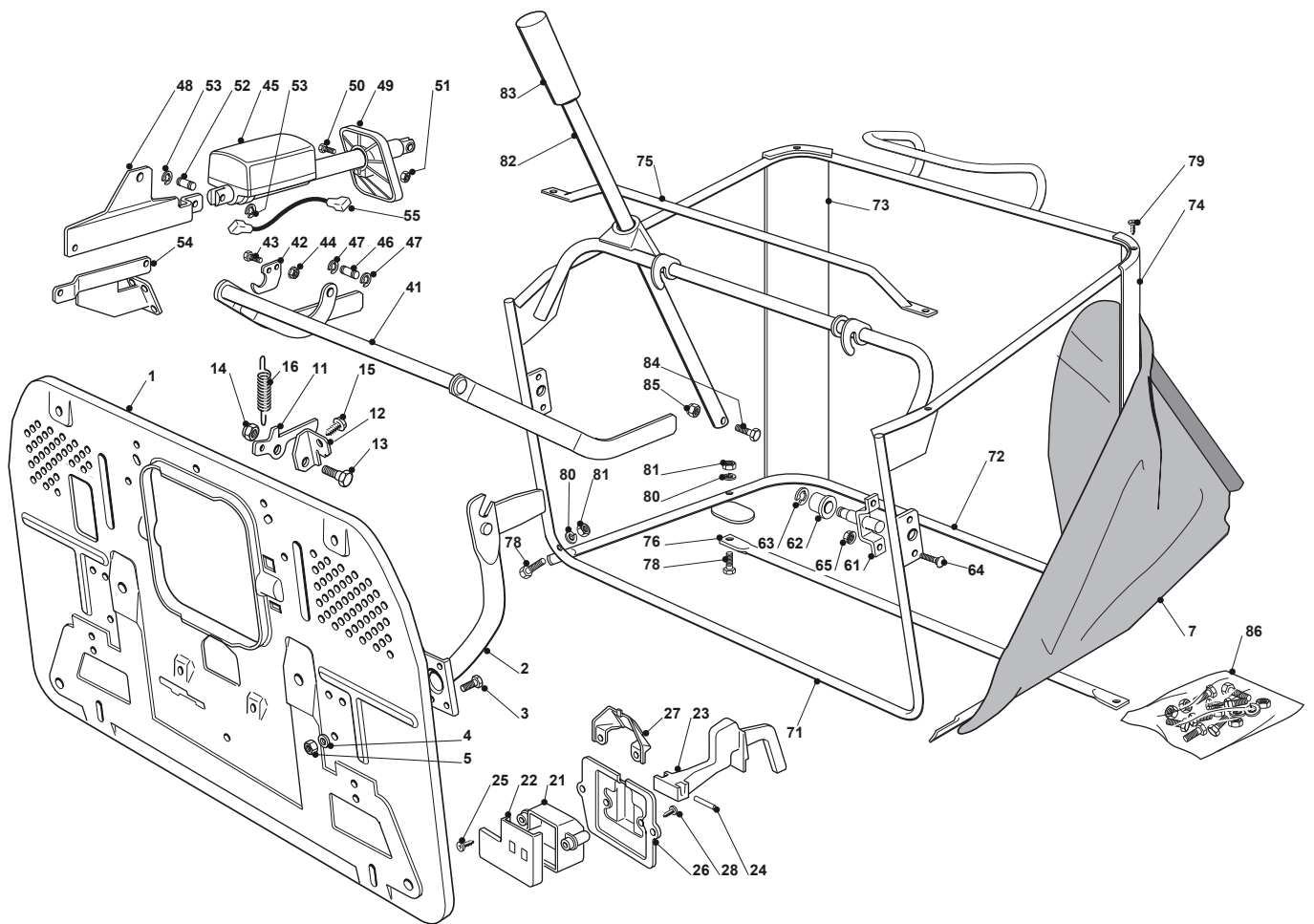
| Fig. | Q.ty | Part No | Description | Notes |
|------|------|-------------|---------------------------------|--------|
| 1 | 1 | 382564131/0 | Cutting Plate Black | Black |
| 1 | 1 | 382564132/0 | Cutting Plate Red | Red |
| 1 | 1 | 382564133/0 | Cutting Plate Yellow | Yellow |
| 1 | 1 | 382564153/0 | Cutting Plate Grey | Grey |
| 2 | 2 | 125033060/0 | Washing Cutting Deck Connection | |
| 3 | 2 | 119035000/0 | Or Ring | |
| 4 | 2 | 112500030/0 | Rivet | |
| 8 | 1 | 382207200/1 | Flange Assy | |
| 9 | 1 | 382207201/2 | Support Shaft Tc | |
| 10 | 1 | 125020800/1 | Main Blade Shaft | |
| 11 | 1 | 125020801/2 | Secondary Blade Shaft | |
| 13 | 4 | 119216032/0 | Bearing | |
| 14 | 2 | 325160501/0 | Dust Cover Disc | |
| 15 | 2 | 112609260/0 | Seeger | |
| 16 | 6 | 112818700/0 | Screw | |
| 17 | 6 | 112154210/0 | Nut | |
| 18 | 2 | 125463200/0 | Blade Hub | |
| 19 | 2 | 112139100/0 | Key, Crankshaft Ø 22 | |
| 20 | 1 | 182004348/0 | Right Mulching Blade | |
| 21 | 1 | 182004347/0 | Left Blade Mulching, Winged | |
| 22 | 2 | 125160503/0 | Blade Hub Elastic Disc Lawntr. | |
| 24 | 1 | 112735696/0 | Screw | |
| 25 | 1 | 112735697/1 | Screw | |
| 26 | 2 | 182700003/0 | Anti Scalp Wheel | |
| 27 | 2 | 125510072/0 | Pin | |
| 28 | 2 | 112692050/0 | Screw | |
| 29 | 2 | 112523060/0 | Washer | |
| 30 | 2 | 112293201/0 | Nut | |
| 31 | 2 | 182700004/0 | Anti Scalp Wheel | |
| 32 | 2 | 125510121/0 | Pin | |
| 33 | 2 | 122450115/0 | Spring | |
| 34 | 2 | 112000930/0 | Benzing Ring | |
| 41 | 1 | 182004341/1 | Right Blade, Winged | |
| 42 | 1 | 182004340/1 | Left Blade, Winged | |
| 51 | 1 | 325140100/0 | Deflector | |
| 52 | 2 | 112815210/0 | Screw | |
| 53 | 2 | 125038002/1 | Bushing | |
| 54 | 2 | 112154510/0 | Nut | |



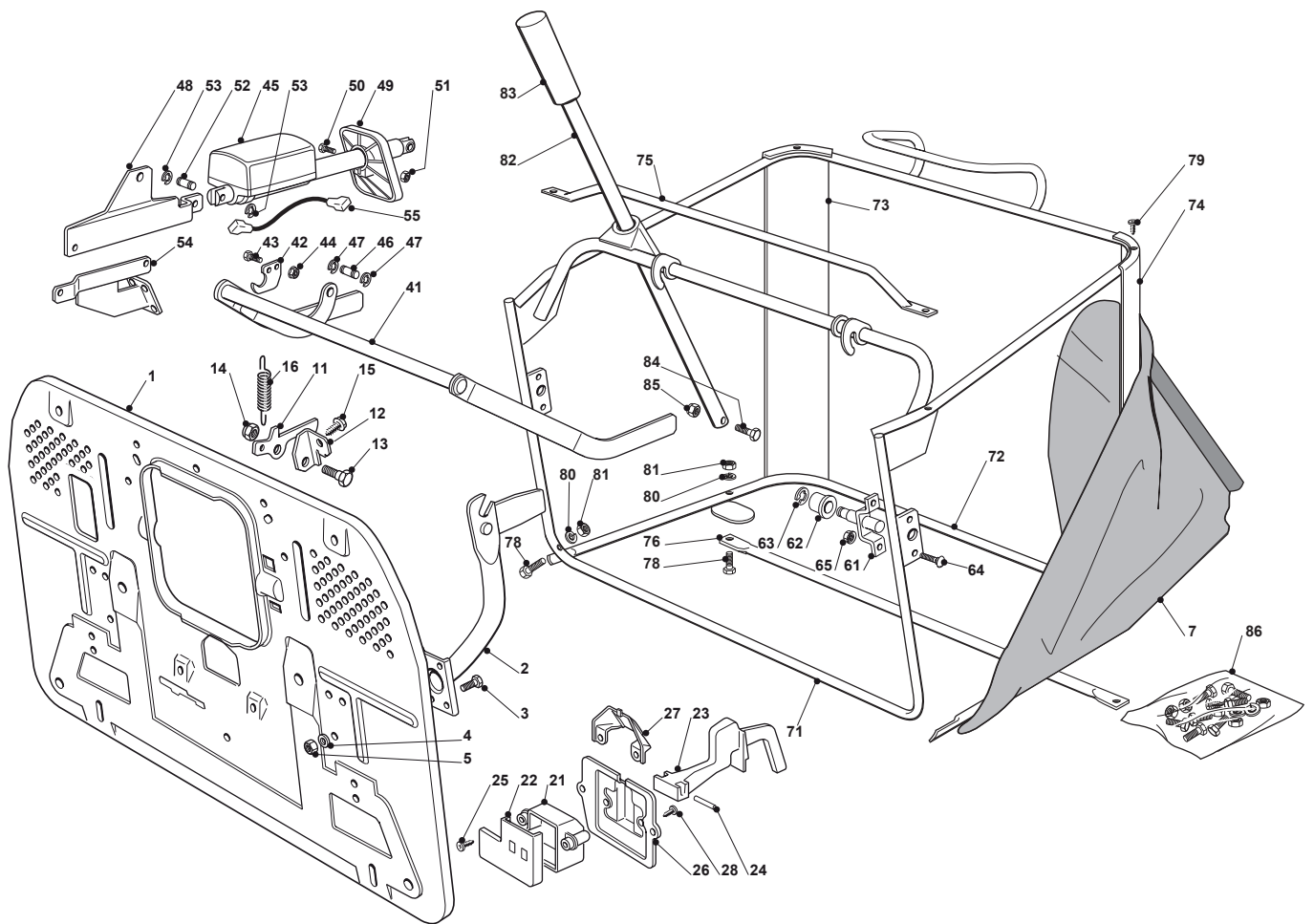
| Fig. | Q.ty | Part No | Description | Notes |
|------|------|-------------|---------------------------------|-------|
| 1 | 2 | 125033060/0 | Washing Cutting Deck Connection | |
| 2 | 2 | 119035000/0 | Or Ring | |
| 3 | 2 | 112500030/0 | Rivet | |
| 9 | 1 | 382108016/1 | Conveyor | |
| 10 | 2 | 325774373/0 | Clamp | |
| 11 | 1 | 325060144/0 | Right Belt Protection Carter | |
| 12 | 1 | 325060145/0 | Left Belt Protection | |
| 13 | 2 | 325774267/0 | Clamp | |
| 14 | 2 | 325774423/0 | Clamp | |
| 15 | 1 | 325774425/0 | Clamp | |
| 16 | 1 | 325774421/0 | Clamp | |



| Fig. | Q.ty | Part No | Description | Notes |
|------|------|-------------|------------------------------------|-------|
| 1 | 1 | 382547051/0 | Plate | |
| 2 | 2 | 182774225/1 | Clamp | |
| 3 | 6 | 112793102/0 | Screw | |
| 4 | 6 | 112523060/0 | Washer | |
| 5 | 6 | 112293201/0 | Nut | |
| 7 | 1 | 182106000/2 | Grasscatcher | |
| 11 | 1 | 325774315/1 | Bracket | |
| 12 | 1 | 325755031/1 | Bracket | |
| 13 | 1 | 125510080/1 | Pin | |
| 14 | 1 | 112292102/0 | Nut | |
| 15 | 1 | 112735122/0 | Screw | |
| 16 | 1 | 125430210/1 | Brake Spring | |
| 21 | 1 | 125600041/0 | Grassc.Full Micro Protection Tcj-F | |
| 22 | 1 | 125600042/0 | Grasscatcher Micro Prot Cover | |
| 23 | 1 | 125318124/0 | Full Grassc. Microswtich Cover | |
| 24 | 1 | 112400030/0 | Pin | |
| 25 | 1 | 112728510/0 | Screw | |
| 26 | 1 | 325785272/0 | Micro Protection | |
| 27 | 1 | 125600048/0 | Micro Protection Cover | |
| 28 | 2 | 112728450/0 | Screw | |
| 71 | 1 | 382800051/0 | Upper Frame | |
| 72 | 1 | 382800002/2 | Lower Grasscatcher Frame | |
| 73 | 1 | 325032001/1 | Right Angular Support | |
| 74 | 1 | 325032002/1 | Left Angular Support | |
| 75 | 1 | 382394001/2 | Front Handle | |
| 76 | 1 | 382650038/0 | Lower Stiffening | |
| 78 | 4 | 112792099/0 | Screw | |
| 79 | 4 | 112729601/1 | Screw | |
| 80 | 4 | 112582101/0 | Grower | |
| 81 | 4 | 112292100/0 | Nut | |
| 82 | 1 | 125869029/1 | Grasscatcher Lifting Tube | |
| 83 | 1 | 125394508/0 | Knob | |
| 84 | 1 | 112792099/0 | Screw | |
| 85 | 1 | 112154510/0 | Nut | |
| 86 | 1 | 382180027/1 | Outfit, Screws | |



| Fig. | Q.ty | Part No | Description | Notes |
|------|------|-------------|------------------------------------|-------|
| 1 | 1 | 382547053/0 | Plate | |
| 2 | 2 | 382774245/0 | Support | |
| 3 | 6 | 112793102/0 | Screw | |
| 4 | 6 | 112523060/0 | Washer | |
| 5 | 6 | 112293201/0 | Nut | |
| 7 | 1 | 182106000/2 | Grasscatcher | |
| 11 | 1 | 325774315/1 | Bracket | |
| 12 | 1 | 325755031/1 | Bracket | |
| 13 | 1 | 125510080/1 | Pin | |
| 14 | 1 | 112292102/0 | Nut | |
| 15 | 1 | 112735122/0 | Screw | |
| 16 | 1 | 125430210/1 | Brake Spring | |
| 21 | 1 | 125600041/0 | Grassc.Full Micro Protection Tcj-F | |
| 22 | 1 | 125600042/0 | Grasscatcher Micro Prot Cover | |
| 23 | 1 | 125318124/0 | Full Grassc. Microswtich Cover | |
| 24 | 1 | 112400030/0 | Pin | |
| 25 | 1 | 112728510/0 | Screw | |
| 26 | 1 | 325785272/0 | Micro Protection | |
| 27 | 1 | 125600048/0 | Micro Protection Cover | |
| 28 | 2 | 112728450/0 | Screw | |
| 41 | 1 | 382000507/1 | Axle | |
| 42 | 2 | 325774317/0 | Grasscatcher Lifting Axle Clam | |
| 43 | 4 | 112815210/0 | Screw | |
| 44 | 4 | 112154510/0 | Nut | |
| 45 | 1 | 118001000/0 | Actuator | |
| 46 | 1 | 125510083/0 | Pin | |
| 47 | 2 | 112000955/0 | Benzing Ring | |
| 48 | 1 | 325785197/0 | Actuator Support | |
| 49 | 1 | 325600060/0 | Protection | |
| 50 | 1 | 112727795/0 | Screw | |
| 51 | 1 | 112154330/0 | Nut | |
| 52 | 1 | 125510083/0 | Pin | |
| 53 | 2 | 112000955/0 | Benzing Ring | |
| 54 | 1 | 382650209/0 | Stiffening | |
| 55 | 1 | 125065030/0 | Connecting Cable | |
| 61 | 2 | 382785147/0 | Support | |
| 62 | 2 | 125690001/0 | Roll | |
| 63 | 2 | 112000956/0 | Benzing Ring | |
| 64 | 4 | 112818690/0 | Screw | |
| 65 | 4 | 112293201/0 | Nut | |
| 71 | 1 | 382800093/0 | Upper Frame | |
| 72 | 1 | 382800002/2 | Lower Grasscatcher Frame | |
| 73 | 1 | 325032001/1 | Right Angular Support | |
| 74 | 1 | 325032002/1 | Left Angular Support | |
| 75 | 1 | 382394001/2 | Front Handle | |
| 76 | 1 | 382650038/0 | Lower Stiffening | |
| 78 | 4 | 112792099/0 | Screw | |
| 79 | 4 | 112729601/1 | Screw | |
| 80 | 4 | 112582101/0 | Grower | |
| 81 | 4 | 112292100/0 | Nut | |
| 82 | 1 | 125869029/1 | Grasscatcher Lifting Tube | |

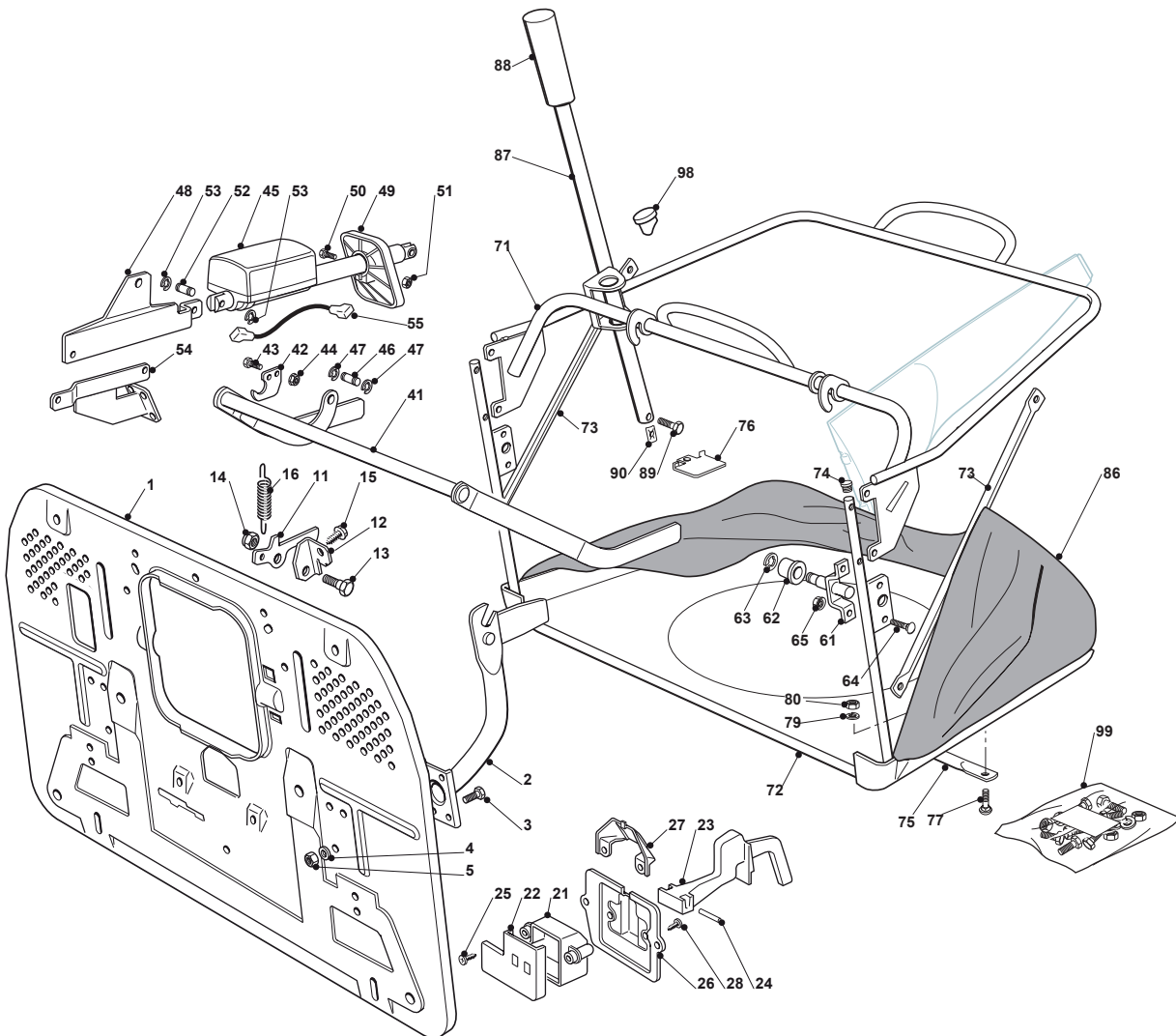


TCR 102 HYDRO

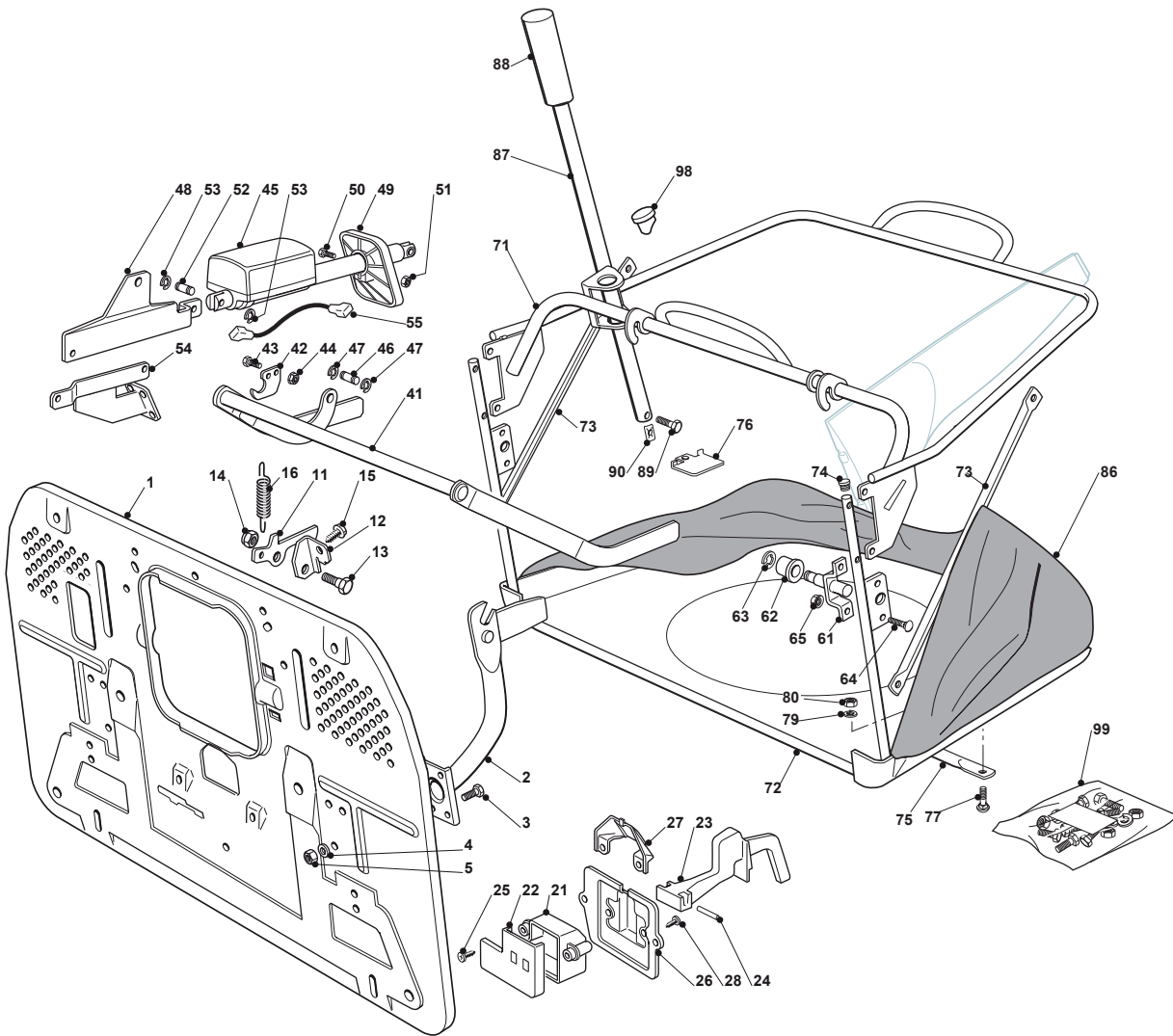
Ride-on 102-122 cm Grass-Catcher with Electrical Lifting

Issue 13 - 2016

| Fig. | Q.ty | Part No | Description | Notes |
|------|------|-------------|----------------|-------|
| 83 | 1 | 125394508/0 | Knob | |
| 84 | 1 | 112792099/0 | Screw | |
| 85 | 1 | 112154510/0 | Nut | |
| 86 | 1 | 382180045/0 | Outfit, Screws | |



| Fig. | Q.ty | Part No | Description | Notes |
|------|------|-------------|------------------------------------|-------|
| 1 | 1 | 382547053/0 | Plate | |
| 2 | 2 | 382774245/0 | Support | |
| 3 | 6 | 112793102/0 | Screw | |
| 4 | 6 | 112523060/0 | Washer | |
| 5 | 6 | 112293201/0 | Nut | |
| 11 | 1 | 325774417/0 | Clamp | |
| 12 | 1 | 325755031/0 | Clamp | |
| 13 | 1 | 125510080/0 | Pin | |
| 14 | 1 | 112292102/0 | Nut | |
| 15 | 1 | 112735122/0 | Screw | |
| 16 | 1 | 127430579/0 | Clutch Spring | |
| 21 | 1 | 125600041/0 | Grassc.Full Micro Protection Tcj-F | |
| 22 | 1 | 125600042/0 | Grasscatcher Micro Prot Cover | |
| 23 | 1 | 125318124/0 | Full Grassc. Microswtich Cover | |
| 24 | 1 | 112400030/0 | Pin | |
| 25 | 1 | 112728510/0 | Screw | |
| 26 | 1 | 325785272/0 | Micro Protection | |
| 27 | 1 | 125600048/0 | Micro Protection Cover | |
| 28 | 2 | 112728450/0 | Screw | |
| 41 | 1 | 82000507/0 | Axle | |
| 42 | 2 | 325774317/0 | Grasscatcher Lifting Axle Clam | |
| 43 | 4 | 112815210/0 | Screw | |
| 44 | 4 | 112154510/0 | Nut | |
| 45 | 1 | 118001000/0 | Actuator | |
| 46 | 1 | 125510083/0 | Pin | |
| 47 | 2 | 112000955/0 | Benzing Ring | |
| 48 | 1 | 325785197/0 | Actuator Support | |
| 49 | 1 | 325600060/0 | Protection | |
| 50 | 1 | 112727795/0 | Screw | |
| 51 | 1 | 112154330/0 | Nut | |
| 52 | 1 | 125510083/0 | Pin | |
| 53 | 2 | 112000955/0 | Benzing Ring | |
| 54 | 1 | 382650209/0 | Stiffening | |
| 55 | 1 | 125065030/0 | Connecting Cable | |
| 61 | 2 | 382785147/0 | Support | |
| 62 | 2 | 125690001/0 | Roll | |
| 63 | 2 | 112000956/0 | Benzing Ring | |
| 64 | 4 | 112818690/0 | Screw | |
| 65 | 4 | 112293201/0 | Nut | |
| 71 | 1 | 382800123/1 | Upper Frame | |
| 72 | 1 | 382800089/1 | Front Frame | |
| 73 | 2 | 325650117/0 | Stiffening | |
| 74 | 2 | 118566111/0 | Cap | |
| 75 | 1 | 382650043/0 | Lower Stiffening | |
| 76 | 1 | 325547131/0 | Plate | |
| 77 | 6 | 112815210/0 | Screw | |
| 79 | 2 | 112521330/0 | Washer | |
| 80 | 2 | 112154510/0 | Nut | |
| 86 | 1 | 182105948/0 | Grasscatcher | |
| 87 | 1 | 125869029/1 | Grasscatcher Lifting Tube | |
| 88 | 1 | 125394508/0 | Knob | |

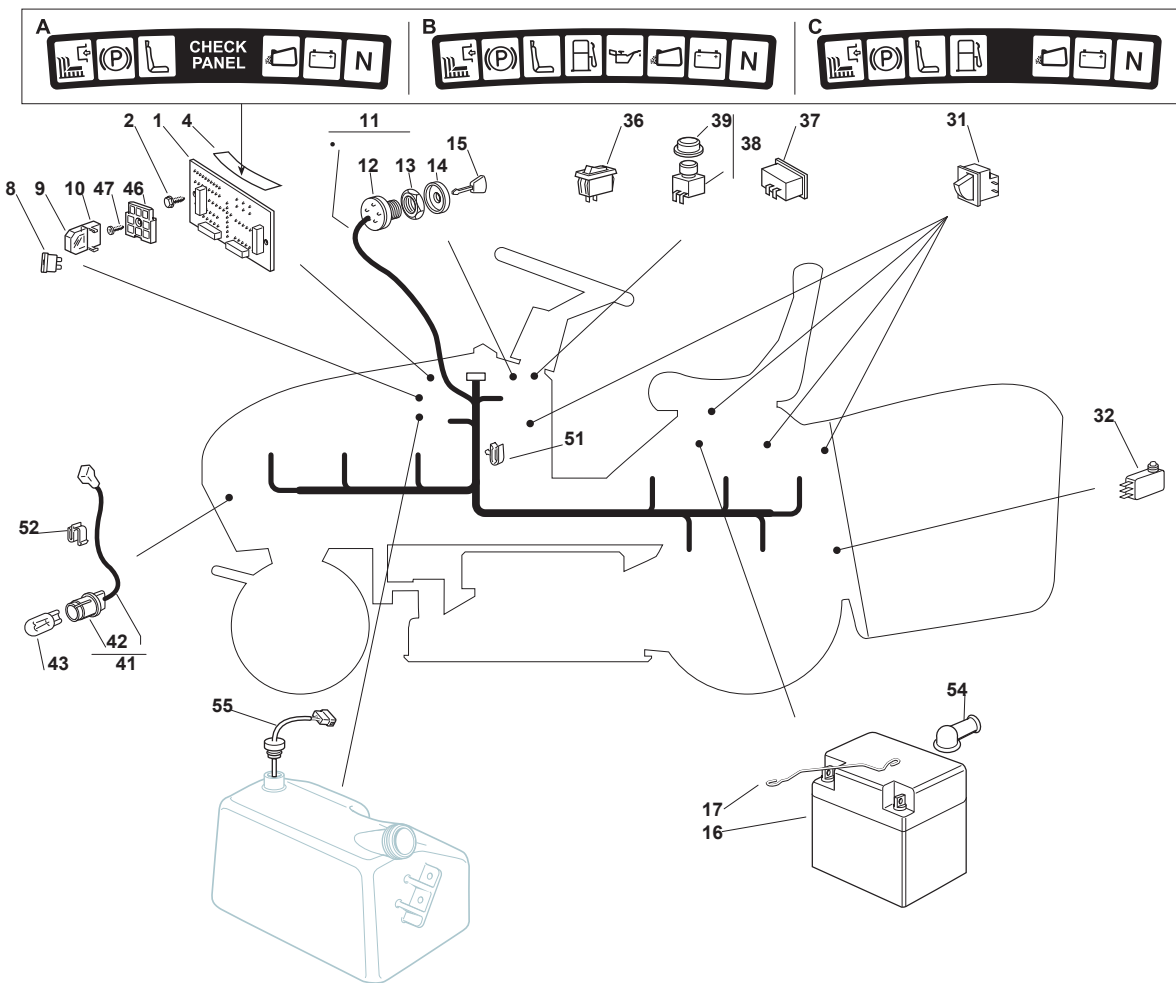


TCR 102 HYDRO

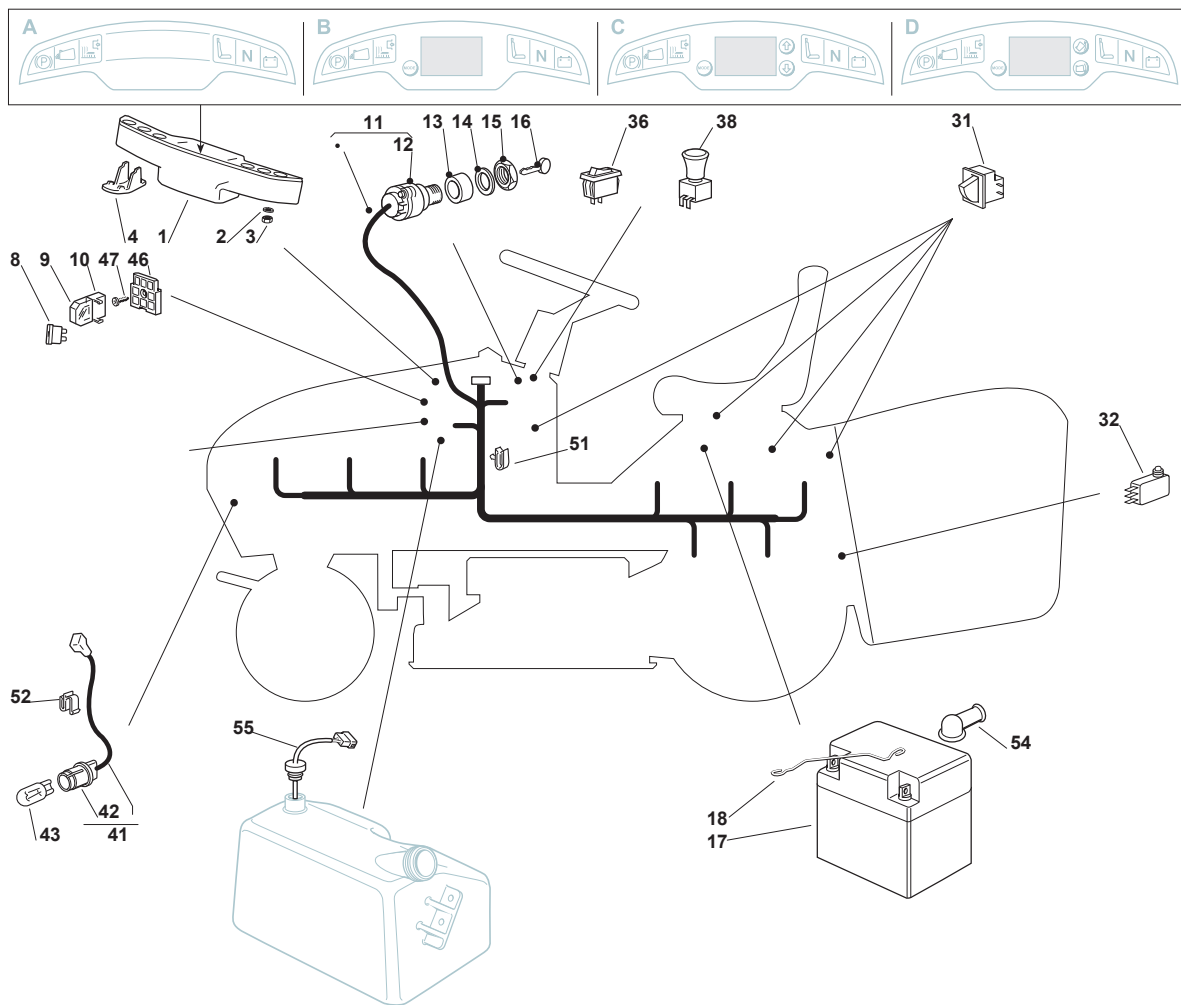
Ride-on 102-122 cm Grass-Catcher with Electrical Lifting

Issue 13 - 2016

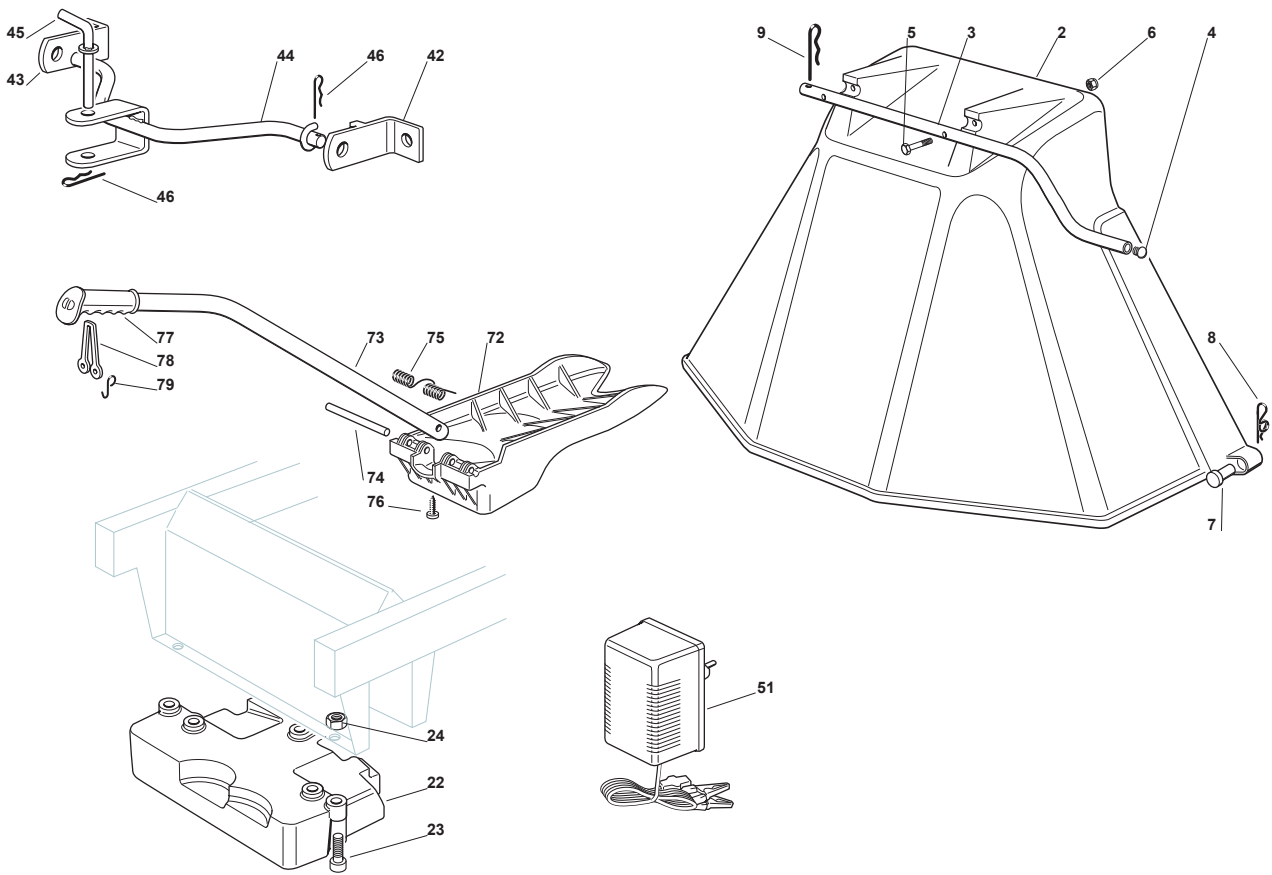
| Fig. | Q.ty | Part No | Description | Notes |
|------|------|-------------|----------------|-------|
| 89 | 1 | 112788800/0 | Screw | |
| 90 | 1 | 112157000/0 | Nut | |
| 98 | 1 | 325120232/0 | Cap | |
| 99 | 1 | 382180111/0 | Outfit, Screws | |



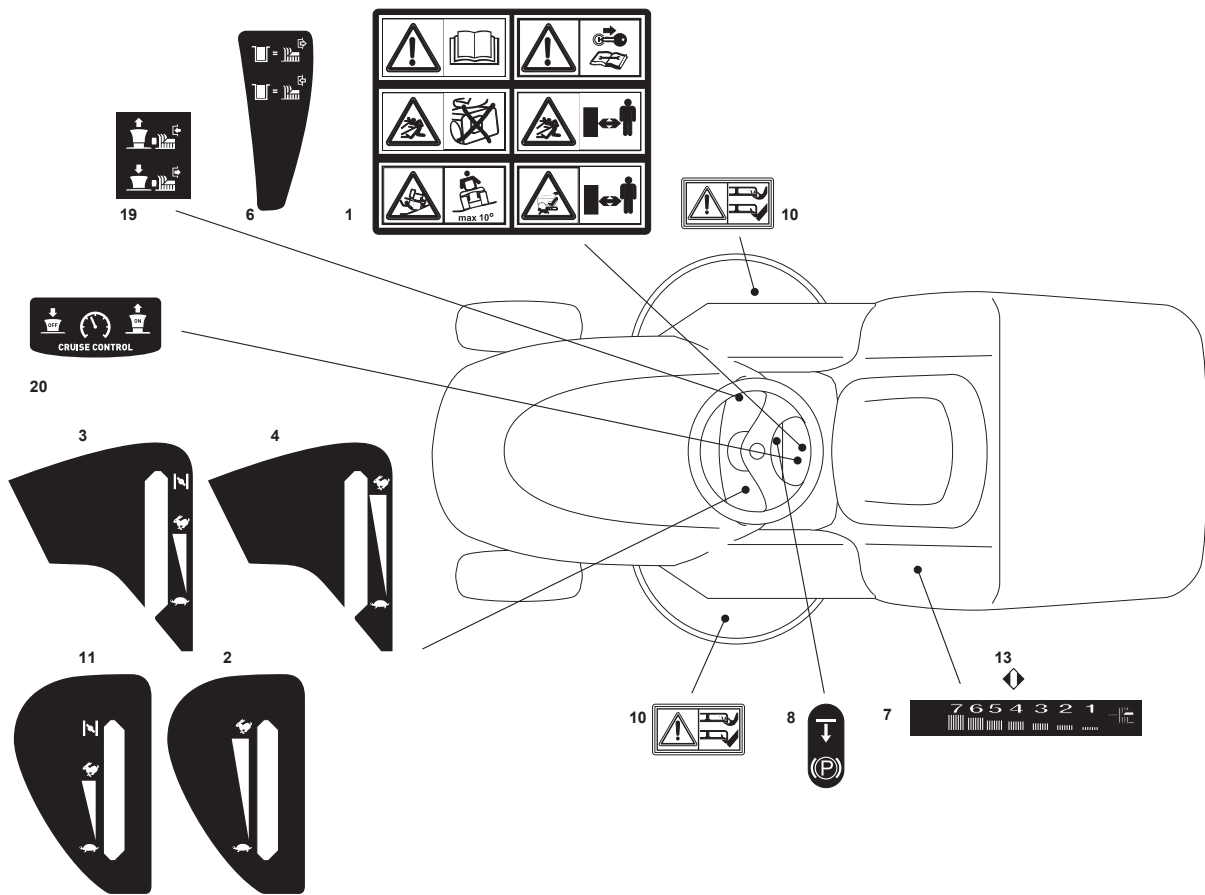
| Fig. | Q.ty | Part No | Description | Notes |
|------|------|--------------|-------------------------|------------------------------|
| 1 | 1 | 125722441/0 | Electronic Card | |
| 2 | 3 | 112735105/0 | Screw | |
| 4 | 1 | 125420004/0 | Check Control (A) | "A" |
| 4 | 1 | 125420007/0 | Check Control (C) | "C" |
| 4 | 1 | 125420005/0 | Check Control (B) | "B" |
| 8 | 1 | 133340040/0 | Fuse 10 A | |
| 8 | 1 | 133340036/0 | Fuse 25 A | |
| 9 | 2 | 133215000/0 | Cover | |
| 10 | 2 | 133500007/0 | Fuse Carrier | |
| 11 | 1 | 182040207/0 | Cables Ass.Y | for Honda Engines |
| 11 | 1 | 182040206/1 | Cables Ass.Y | for B&S-GGP-Kawasaki Engines |
| 12 | 1 | 118450065/1 | Starting Switch | |
| 13 | 1 | 118400861/0 | Screwed Ring | |
| 14 | 1 | 118565351/0 | Screwed Ring Protection | |
| 15 | 1 | 118210016/1 | Starting Key | |
| 16 | 1 | 118120002/1 | Battery | |
| 17 | 1 | 125430230/0 | Spring | |
| 31 | 3 | 119410615/0 | Microswitch | |
| 32 | 1 | 119410605/1 | Microswitch | |
| 36 | 1 | 118450060/1 | Headlight Interrupt. | |
| 37 | 1 | 9400-0384-01 | Hour Counter | |
| 38 | 1 | 118450067/0 | Switch | |
| 39 | 1 | 118203852/0 | Cap | |
| 41 | 1 | 182040070/0 | Cables Ass.Y | for TC Models |
| 41 | 1 | 182040073/0 | Lamp Holder | for TX-TS Models |
| 42 | 2 | 133500030/0 | Lamp Holder | |
| 43 | 2 | 118459100/0 | Lamp For Lights | |
| 46 | 1 | 133500010/1 | Plate | |
| 47 | 1 | 112735170/0 | Screw | |
| 51 | 5 | 133320506/0 | Fairlead | |
| 52 | 1 | 133320504/0 | Fairlead | |
| 54 | 1 | 118564864/1 | Protection | |
| 55 | 1 | 125290000/0 | Fuel Level Indicator | |



| Fig. | Q.ty | Part No | Description | Notes |
|------|------|-------------|----------------------|------------------------------|
| 2 | 2 | 112521320/0 | Washer | |
| 3 | 2 | 112154330/0 | Nut | |
| 4 | 1 | 325031501/0 | Deflector | |
| 8 | 1 | 133340035/0 | Fuse 15 A | for Electrical Lifting |
| 8 | 1 | 133340036/0 | Fuse 25 A | for Manual Lifting |
| 8 | 1 | 133340040/0 | Fuse 10 A | for Manual Lifting |
| 9 | 2 | 133215000/0 | Cover | for Manual Lifting |
| 9 | 3 | 133215000/0 | Cover | for Electrical Lifting |
| 10 | 2 | 133500007/0 | Fuse Carrier | for Manual Lifting |
| 10 | 3 | 133500007/0 | Fuse Carrier | for Electrical Lifting |
| 12 | 1 | 118450072/0 | Starting Switch | |
| 13 | 1 | 118550136/0 | Spacer | |
| 14 | 1 | 118550135/0 | Washer | |
| 15 | 1 | 118400862/0 | Ring Nut | |
| 16 | 1 | 118210022/0 | Starting Key | |
| 17 | 1 | 118120002/1 | Battery | |
| 18 | 1 | 125430230/0 | Spring | |
| 31 | 3 | 119410615/0 | Microswitch | |
| 32 | 1 | 119410605/1 | Microswitch | |
| 36 | 1 | 118450060/1 | Headlight Interrupt. | |
| 38 | 1 | 118450068/0 | Switch | |
| 41 | 1 | 182040073/0 | Lamp Holder | |
| 42 | 2 | 133500030/0 | Lamp Holder | |
| 43 | 2 | 118459100/0 | Lamp For Lights | |
| 46 | 1 | 133500010/1 | Plate | |
| 47 | 1 | 112735170/0 | Screw | |
| 51 | 5 | 133320506/0 | Fairlead | |
| 52 | 1 | 133320504/0 | Fairlead | |
| 54 | 1 | 118564864/1 | Protection | |
| 55 | 1 | 125290001/0 | Fuel Level Indicator | |
| 11 | 1 | 182040203/0 | Cables Ass.Y | for B&S-GGP-Kawasaki Engines |
| 11 | 1 | 182040208/0 | Cables Ass.Y | for Honda Engine |
| 1 | 1 | 382722431/0 | Cards + Guards (A) | "A" |
| 1 | 1 | 382722432/0 | Cards + Guards (B) | "B" |
| 1 | 1 | 382722433/0 | Cards + Guards (D) | "D" |
| 1 | 1 | 382722434/0 | Cards + Guards (C) | "C" |



| Fig. | Q.ty | Part No | Description | Notes |
|------|------|-------------|------------------------|----------|
| 2 | 1 | 382400003/1 | Ejection Guard | |
| 3 | 1 | 325869043/0 | Rear Support | |
| 4 | 2 | 118566112/0 | Polyethylene Push Road | |
| 5 | 2 | 112689515/0 | Screw | |
| 6 | 2 | 112154510/0 | Nut | |
| 7 | 2 | 125510022/0 | Pin | |
| 8 | 2 | 124487998/0 | Cotter Pin | |
| 9 | 1 | 124487999/0 | Spring Pin | |
| 22 | 1 | 125519997/1 | Front Weight Tc | |
| 23 | 3 | 112760520/0 | Screw | |
| 24 | 3 | 112155000/0 | Nut | |
| 42 | 1 | 382735502/0 | Bracket | |
| 43 | 1 | 325774213/0 | Bracket | |
| 44 | 1 | 382033105/1 | Rod | |
| 45 | 1 | 125510021/1 | Hitch Pin | |
| 46 | 2 | 124487999/0 | Spring Pin | |
| 51 | 1 | 182180050/0 | Battery Charger | CE Plugg |
| 51 | 1 | 182180052/0 | Battery Charger | UK Plugg |
| 72 | 1 | 325140097/0 | Deflector | |
| 73 | 1 | 325394005/0 | Handle | |
| 74 | 1 | 125510077/0 | Pin | |
| 75 | 1 | 125430245/0 | Spring | |
| 76 | 1 | 112735405/0 | Screw | |
| 77 | 1 | 325280000/1 | Handgrip | |
| 78 | 1 | 125840011/1 | Tie Rod | |
| 79 | 2 | 125253004/0 | Mulch.Kit Fixing Hook | |

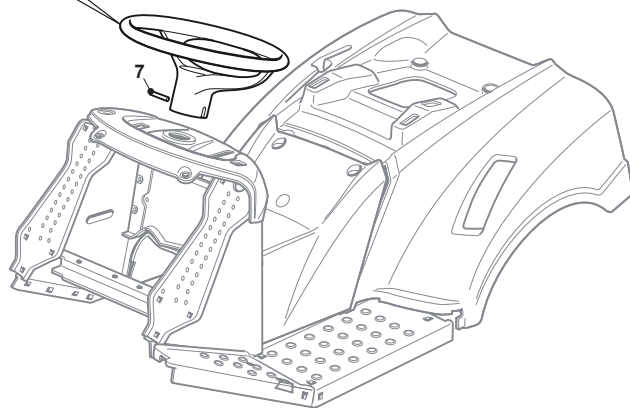
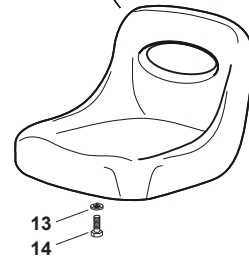
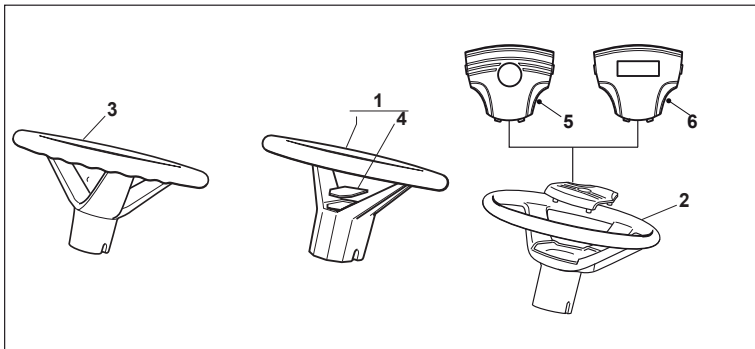
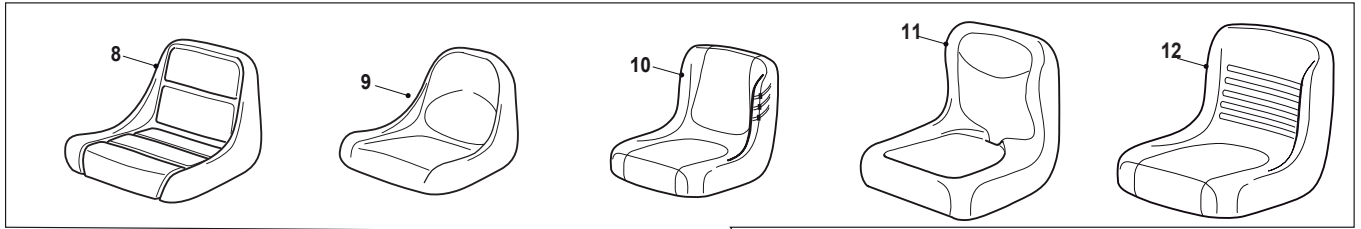


TCR 102 HYDRO

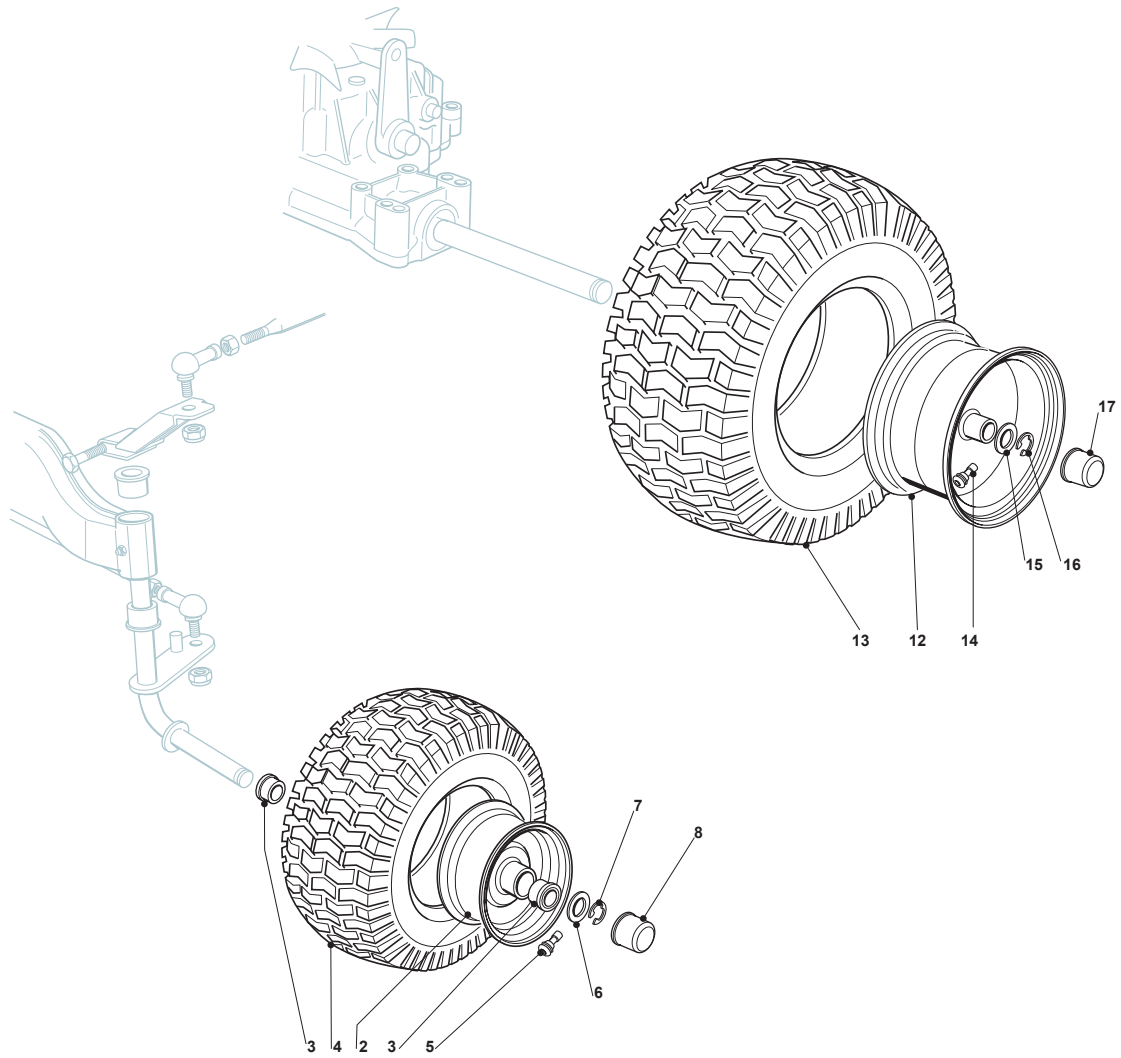
Ride-on 102-122 cm Labels

Issue 13 - 2016

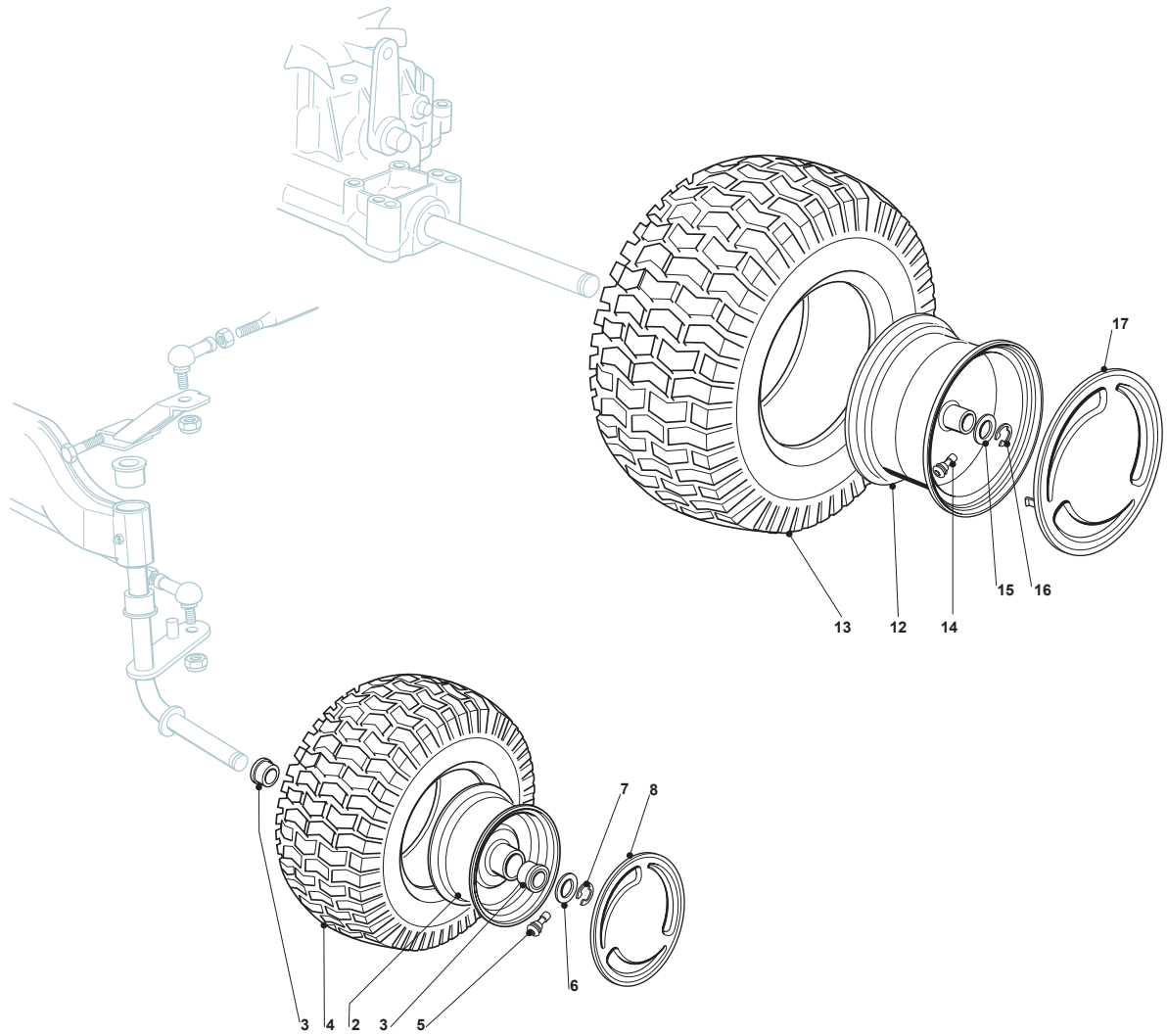
| Fig. | Q.ty | Part No | Description | Notes |
|------|------|-------------|----------------|-------|
| 1 | 1 | 114357428/1 | Label | |
| 2 | 1 | 114356756/2 | Throttle Label | |
| 3 | 1 | 114356177/2 | Throttle Label | |
| 4 | 1 | 114356184/3 | Throttle Label | |
| 6 | 1 | 114357967/0 | Label | |
| 7 | 1 | 114357905/0 | Label | |
| 8 | 1 | 114357526/1 | Label | |
| 10 | 2 | 114356699/1 | Label | |
| 11 | 1 | 114356754/1 | Throttle Label | |
| 13 | 1 | 114357913/0 | Label | |
| 19 | 1 | 114360912/0 | Label | |
| 20 | 1 | 114365612/0 | Label | |



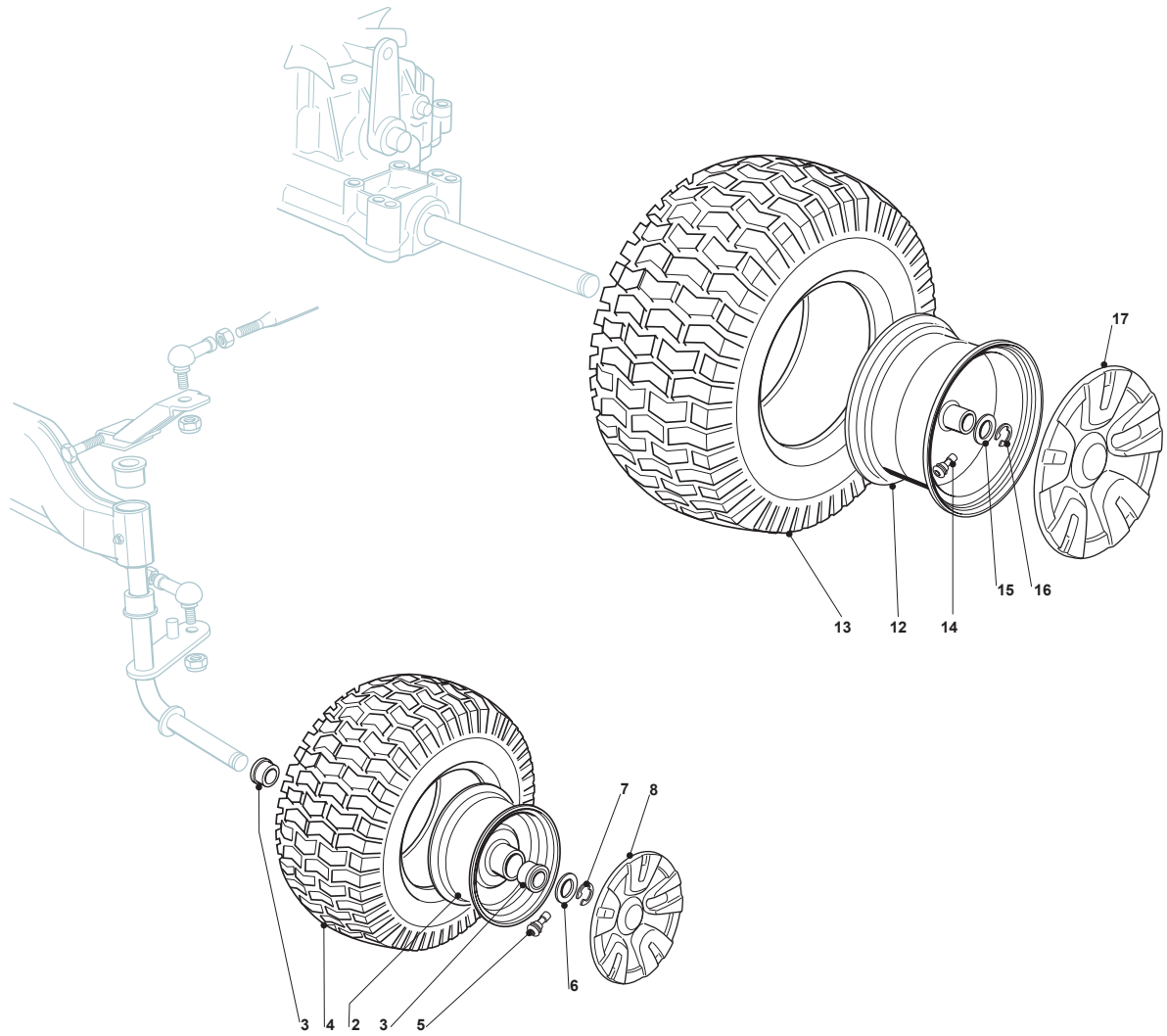
| Fig. | Q.ty | Part No | Description | Notes |
|------|------|-------------|--------------------------------|-------------------------|
| 1 | 1 | 125961213/0 | Steering Wheel | |
| 2 | 1 | 125961214/1 | Steering Wheel | Grey |
| 2 | 1 | 125961217/1 | Coated Steering Wheel Black Tc | Black |
| 2 | 1 | 125961210/1 | Steering Wheel | Black Coated |
| 3 | 1 | 125961206/0 | Steering Wheel | |
| 4 | 1 | 325120231/0 | Cap | |
| 5 | 1 | 325580500/0 | Cap | |
| 6 | 1 | 325580501/0 | Cap | |
| 6 | 1 | 325580505/0 | Cap | Specific for Mountfield |
| 7 | 1 | 112620299/0 | Elastic Pin | |
| 8 | 1 | 125722450/1 | Seat | |
| 9 | 1 | 125722451/2 | Seat | |
| 10 | 1 | 125722459/0 | Seat | |
| 11 | 1 | 125722457/0 | Seat | |
| 12 | 1 | 125722471/0 | Seat | Integral, Black |
| 12 | 1 | 125722467/1 | Seat | Confort, Black |
| 13 | 4 | 112793102/0 | Screw | |
| 14 | 4 | 112583500/0 | Grower | |



| Fig. | Q.ty | Part No | Description | Notes |
|------|------|-------------|--------------|-----------------------------|
| 2 | 2 | 182000595/1 | Rimm | 4"X6" STARCO |
| 2 | 2 | 182000598/0 | Rimm | 4"X6" FENGCHI |
| 3 | 4 | 125122200/2 | Bearing | |
| 4 | 2 | 125590000/0 | Front Tyre | 13X5.00-6 CARLISLE |
| 4 | 2 | 127590051/0 | Tyre | 13X5.00-6 CARLISLE |
| 4 | 2 | 125590020/0 | Tyre | 15X6.00-6 PR2 |
| 12 | 2 | 182000599/0 | Rimm | 7,5"X8" FENGCHI |
| 12 | 2 | 182000596/1 | Rimm | 7,5"X8" STARCO |
| 13 | 2 | 125590001/0 | Rear Tyre | 18x850-8 CARLISLE |
| 13 | 2 | 125590022/0 | Tyre | P 519 Version |
| 14 | 2 | 125950000/0 | Valve | |
| 15 | 2 | 125670005/1 | Washer | |
| 16 | 2 | 112001010/0 | Benzing Ring | |
| 17 | 2 | 122110230/0 | Hub Cover | Standard Black Cover |
| 17 | 2 | 322110239/0 | Hub Cover | Black Cover with Stiga Logo |



| Fig. | Q.ty | Part No | Description | Notes |
|------|------|-------------|--------------|-----------------------------|
| 2 | 2 | 182000595/1 | Rimm | 4"X6" STARCO |
| 2 | 2 | 182000598/0 | Rimm | 4"X6" FENGCHI |
| 3 | 2 | 125122200/2 | Bearing | |
| 4 | 2 | 125590000/0 | Front Tyre | 13X5.00-6 CARLISLE |
| 4 | 2 | 125590019/0 | Tyre | P 512 Version |
| 4 | 2 | 127590051/0 | Tyre | 15X5.00-6 CARLISLE |
| 4 | 2 | 125590020/0 | Tyre | 15X6.00-6 PR2 TL P519 WANDA |
| 5 | 2 | 125950000/0 | Valve | |
| 6 | 2 | 125670005/1 | Washer | |
| 7 | 2 | 112001000/0 | Benzing Ring | |
| 12 | 2 | 182000599/0 | Rimm | 7,5"X8" FENGCHI |
| 13 | 2 | 125590001/0 | Rear Tyre | 18x850-8 CARLISLE |
| 13 | 2 | 125590022/0 | Tyre | 18X8.50-8 PR2 TL P519 WANDA |
| 14 | 2 | 125950000/0 | Valve | |
| 15 | 2 | 125670005/1 | Washer | |
| 16 | 2 | 112001010/0 | Benzing Ring | |
| 17 | 2 | 382110253/0 | Wheel Cover | |
| 12 | 2 | 182000596/1 | Rimm | 7,5"X8" STARCO |



| Fig. | Q.ty | Part No | Description | Notes |
|------|------|-------------|-----------------|-------------------------|
| 2 | 2 | 182000598/0 | Rimm | 4"X6" FENGCHI |
| 3 | 4 | 125122200/2 | Bearing | |
| 4 | 2 | 125590018/0 | Tyre | 13X5.00-6 CARLISLE |
| 4 | 2 | 125590019/0 | Tyre | 15X6.00-6 P 512 Version |
| 4 | 2 | 125590020/0 | Tyre | 15X6.00-6 PR2 |
| 5 | 2 | 125950000/0 | Valve | |
| 6 | 2 | 125670005/1 | Washer | |
| 7 | 2 | 112001000/0 | Benzing Ring | |
| 8 | 2 | 382110274/0 | Wheel Cover | Standard Grey Cover |
| 12 | 2 | 182000599/0 | Rimm | 7,5"X8" FENGCHI |
| 13 | 2 | 125590022/0 | Tyre | 18x850-8 P 519 Version |
| 14 | 2 | 125950000/0 | Valve | |
| 15 | 2 | 125670005/1 | Washer | |
| 16 | 2 | 112001010/0 | Benzing Ring | |
| 17 | 2 | 382110275/0 | Rear Wheel Deck | Standard Grey Cover |
| 12 | 2 | 182000596/1 | Rimm | 7,5"X8" STARCO |
| 2 | 2 | 182000595/1 | Rimm | 4"X6" STARCO |
| 13 | 2 | 125590001/0 | Rear Tyre | 18x850-8 CARLISLE |
| 4 | 2 | 125590000/0 | Front Tyre | 13X5.00-6 CARLISLE |
| 4 | 2 | 127590051/0 | Tyre | P 512 Version |

