

# Parts Catalogue

for model  
**TCS 102 Hydro**

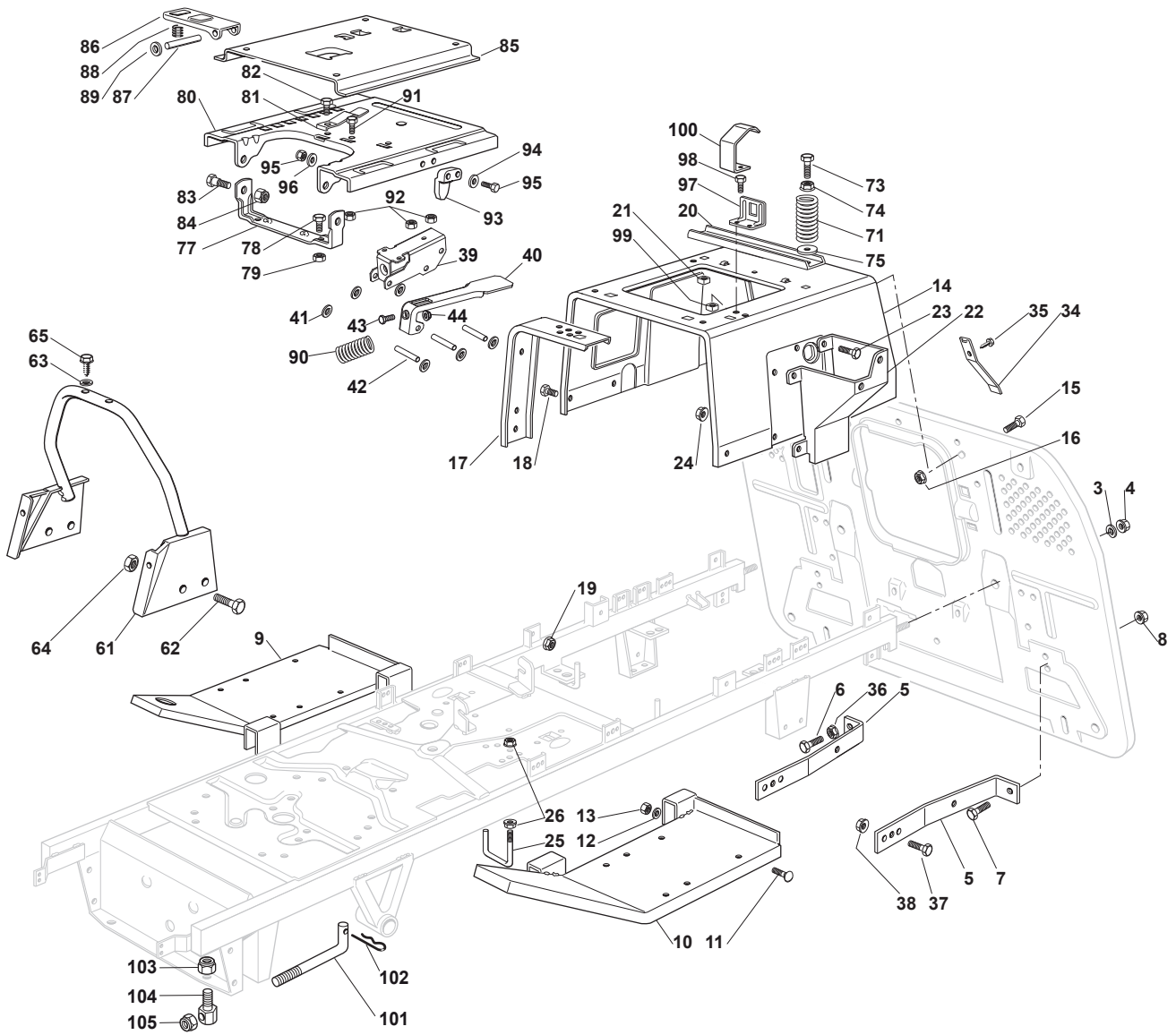
- Use GLOBAL GARDEN PRODUCT Genuine Spare Parts specified in the parts list for repair and/or replacement.
- The contents described in the parts list may change due to improvement.
- The drawings of the spare parts are only indicative and might not represent the part in question exactly.
- The indications "right" - "left" - "front" - "rear" refer to the position of the operator when using the machine.
- When placing orders of parts for repair and/or replacement, make sure that the illustrated parts list is the one applying to the machine's year of manufacture, as shown on the identification plate attached to the machine.

© Copyright 2016 Global Garden Products

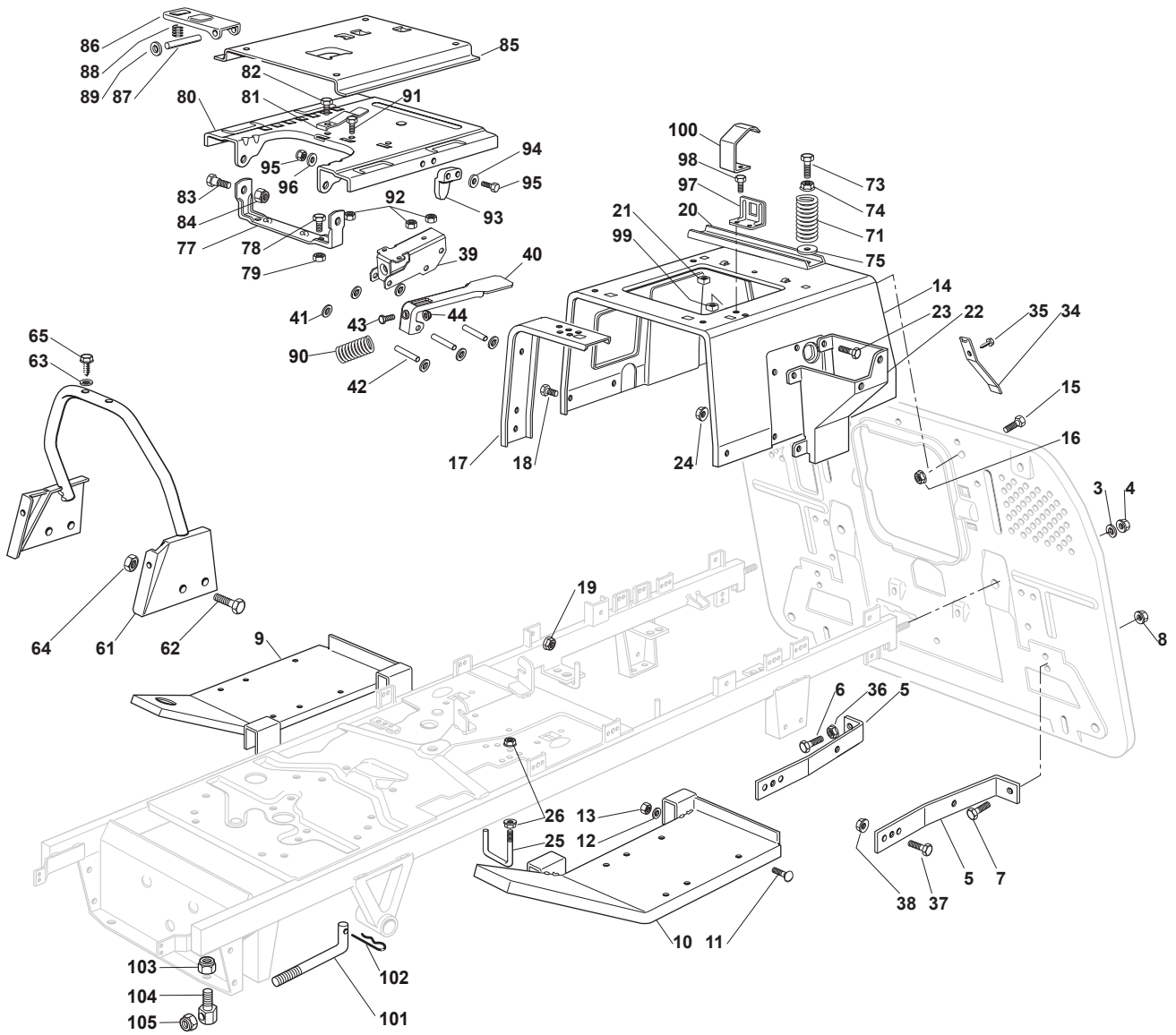
All content is subject to copyright by Global Garden Products and may not be reproduced in whole or in part by any means, electronic or otherwise, without prior written approval.

THIS INFORMATION IS NOT INTENDED FOR SALE OR RESALE, AND THIS NOTICE MUST REMAIN ON ALL COPIES.

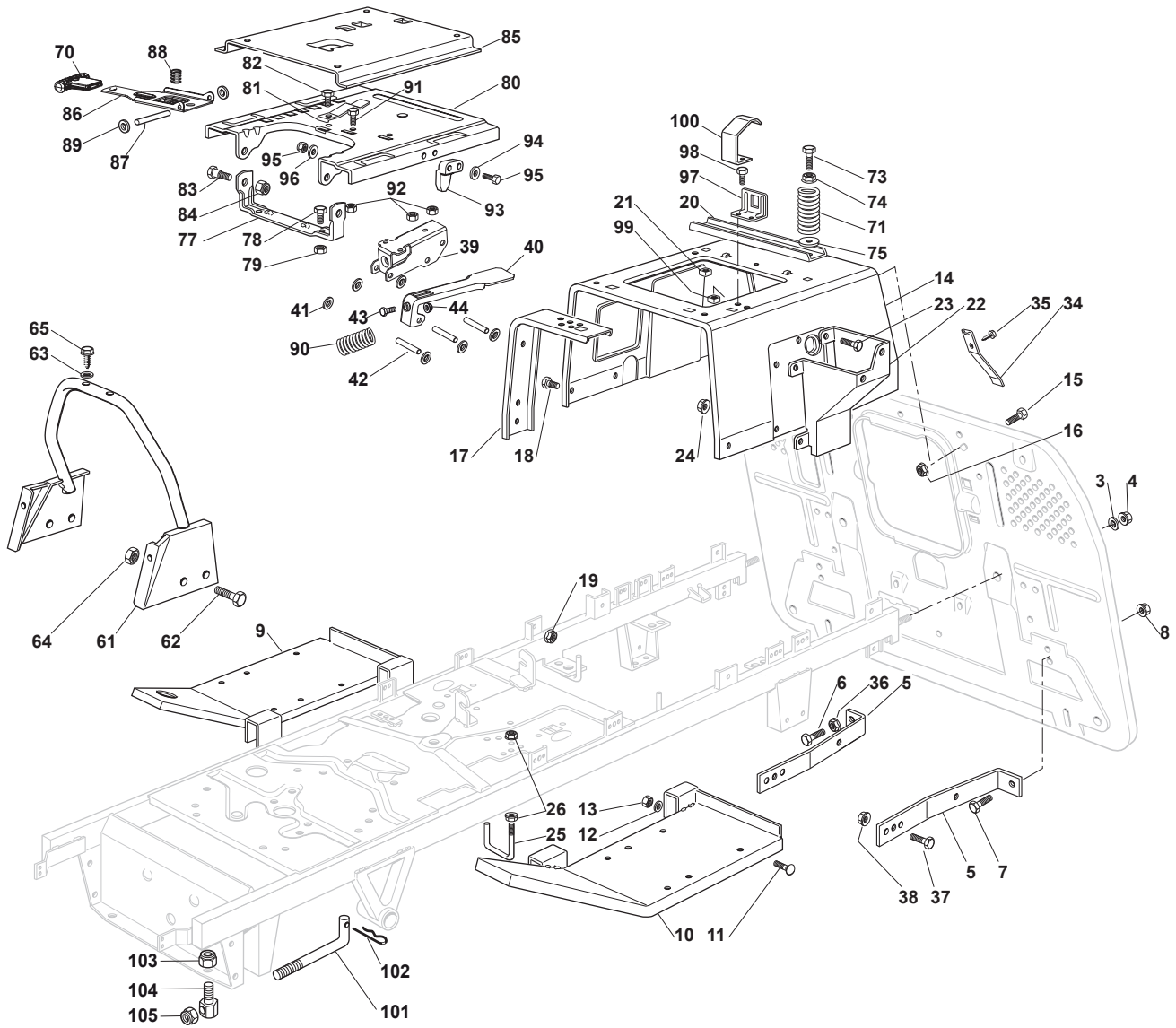




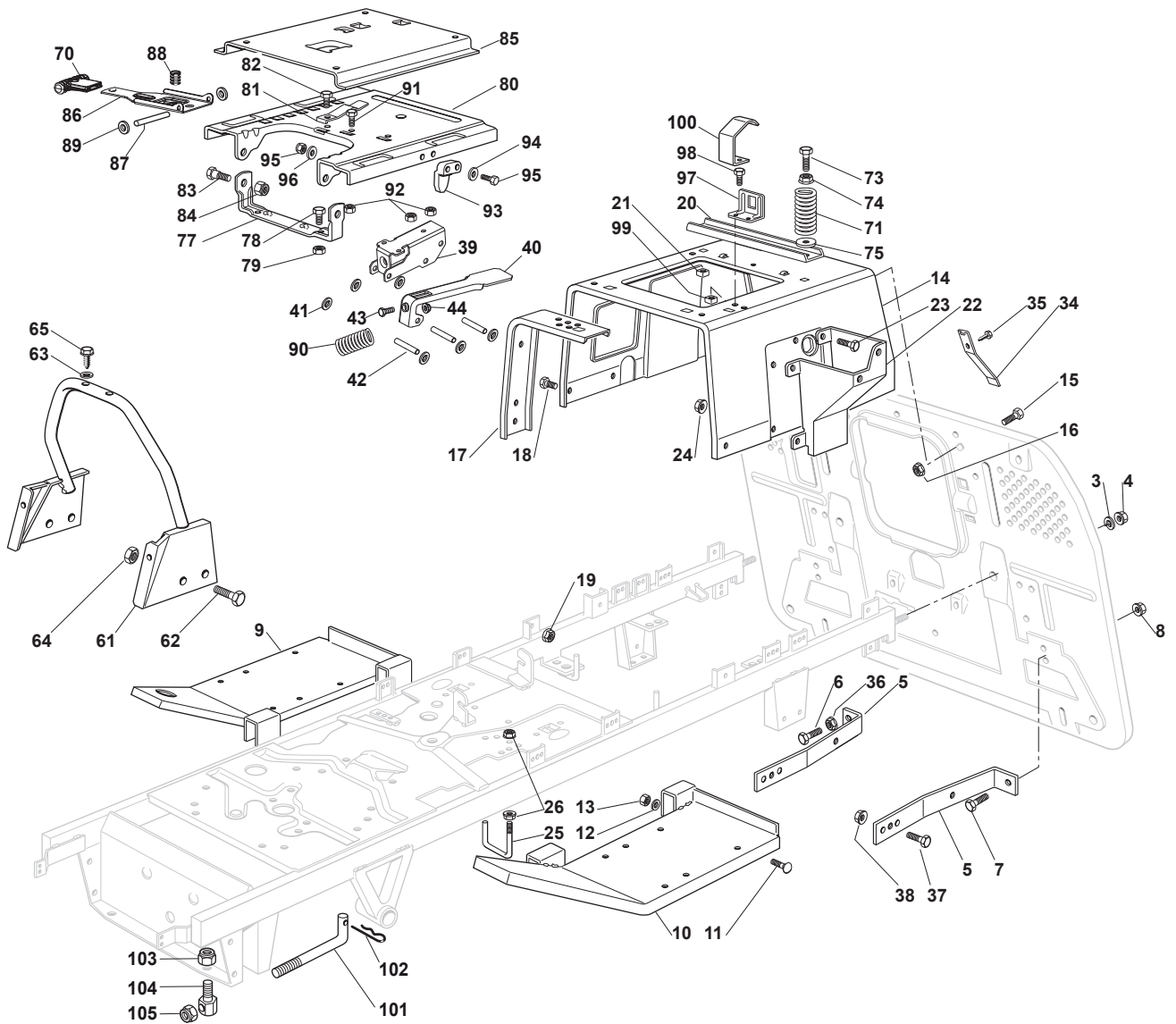
| Fig. | Q.ty | Part No     | Description             | Notes                  |
|------|------|-------------|-------------------------|------------------------|
| 3    | 2    | 112585100/0 | Washer                  |                        |
| 4    | 2    | 112295200/0 | Nut                     |                        |
| 5    | 2    | 325774273/1 | Stiffening              |                        |
| 6    | 1    | 112691100/0 | Screw                   |                        |
| 7    | 3    | 112793102/0 | Screw                   |                        |
| 8    | 4    | 112293201/0 | Nut                     |                        |
| 9    | 1    | 382510041/2 | Right Footboard Support |                        |
| 10   | 1    | 382510043/2 | Left Footboard Support  |                        |
| 11   | 4    | 112815245/0 | Screw                   |                        |
| 12   | 4    | 112523040/0 | Washer                  |                        |
| 13   | 4    | 112154510/0 | Nut                     |                        |
| 14   | 1    | 325785133/5 | Seat Support            |                        |
| 15   | 5    | 112791011/0 | Screw                   |                        |
| 16   | 5    | 112292102/0 | Nut                     |                        |
| 17   | 2    | 325650065/0 | Stiffening              |                        |
| 18   | 6    | 112791011/0 | Screw                   |                        |
| 19   | 6    | 112292102/0 | Nut                     |                        |
| 20   | 1    | 325650067/0 | Stiffening              |                        |
| 21   | 2    | 112360420/0 | Nut                     |                        |
| 22   | 1    | 325785137/1 | Support                 |                        |
| 23   | 4    | 112791011/0 | Screw                   |                        |
| 24   | 4    | 112292102/0 | Nut                     |                        |
| 25   | 1    | 125580019/0 | Belt Guide Peg          |                        |
| 26   | 2    | 112292102/0 | Nut                     |                        |
| 34   | 1    | 125430238/1 | Spring                  |                        |
| 35   | 1    | 112731580/0 | Screw                   |                        |
| 36   | 1    | 112293200/0 | Nut                     |                        |
| 37   | 2    | 112793102/0 | Screw                   |                        |
| 38   | 2    | 112293201/0 | Nut                     |                        |
| 39   | 1    | 325774575/0 | Fulcrum Clamp           |                        |
| 40   | 1    | 325318327/0 | Lever                   |                        |
| 41   | 6    | 112604896/0 | Crown Fastener          |                        |
| 42   | 3    | 122517866/0 | Pin                     |                        |
| 43   | 1    | 112735661/0 | Screw                   |                        |
| 44   | 1    | 112154510/0 | Nut                     |                        |
| 61   | 1    | 382650045/0 | Chassis                 |                        |
| 62   | 4    | 112792611/0 | Screw                   |                        |
| 63   | 2    | 112521330/0 | Washer                  |                        |
| 64   | 4    | 112292102/0 | Nut                     |                        |
| 65   | 2    | 112731350/0 | Screw                   |                        |
| 71   | 2    | 125430205/1 | Spring                  | for Standard TC Models |
| 71   | 2    | 125430257/1 | Spring                  | for TX-TS Models       |
| 73   | 2    | 125943001/1 | Screw                   |                        |
| 74   | 2    | 112293201/0 | Nut                     |                        |
| 75   | 2    | 112523070/0 | Washer                  |                        |
| 77   | 1    | 382774207/0 | Seat Clamp Support      |                        |
| 78   | 2    | 112792611/0 | Screw                   |                        |
| 79   | 2    | 112293201/0 | Nut                     |                        |
| 80   | 1    | 325785149/3 | Fixed Seat Support      |                        |
| 81   | 1    | 125430203/1 | Spring                  |                        |
| 82   | 1    | 112731580/0 | Screw                   |                        |



| Fig. | Q.ty | Part No     | Description     | Notes |
|------|------|-------------|-----------------|-------|
| 83   | 2    | 122524970/2 | Fulcrum Pin     |       |
| 84   | 2    | 112155010/0 | Nut             |       |
| 85   | 1    | 325785147/2 | Seat Support    |       |
| 86   | 1    | 325318109/1 | Stop Lever      |       |
| 87   | 1    | 125510000/0 | Pin             |       |
| 88   | 1    | 125430202/1 | Spring          |       |
| 89   | 2    | 112604897/0 | Elastic Washer  |       |
| 90   | 1    | 125430285/0 | Spring          |       |
| 91   | 1    | 112789000/0 | Screw           |       |
| 92   | 1    | 112154330/0 | Nut             |       |
| 93   | 1    | 325060049/0 | Seat Switch Cam |       |
| 94   | 2    | 112815050/0 | Screw           |       |
| 95   | 4    | 112521320/0 | Washer          |       |
| 96   | 2    | 112154330/0 | Nut             |       |
| 97   | 1    | 325755025/1 | Bracket         |       |
| 98   | 2    | 112735110/0 | Screw           |       |
| 99   | 2    | 112437502/0 | Plate           |       |
| 100  | 1    | 325430255/0 | Spring          |       |
| 101  | 2    | 125510119/0 | Tie Rod         |       |
| 102  | 2    | 124487997/0 | Cotter Pin      |       |
| 103  | 2    | 112155000/0 | Nut             |       |
| 104  | 2    | 125510040/1 | Pin             |       |
| 105  | 2    | 112155000/0 | Nut             |       |

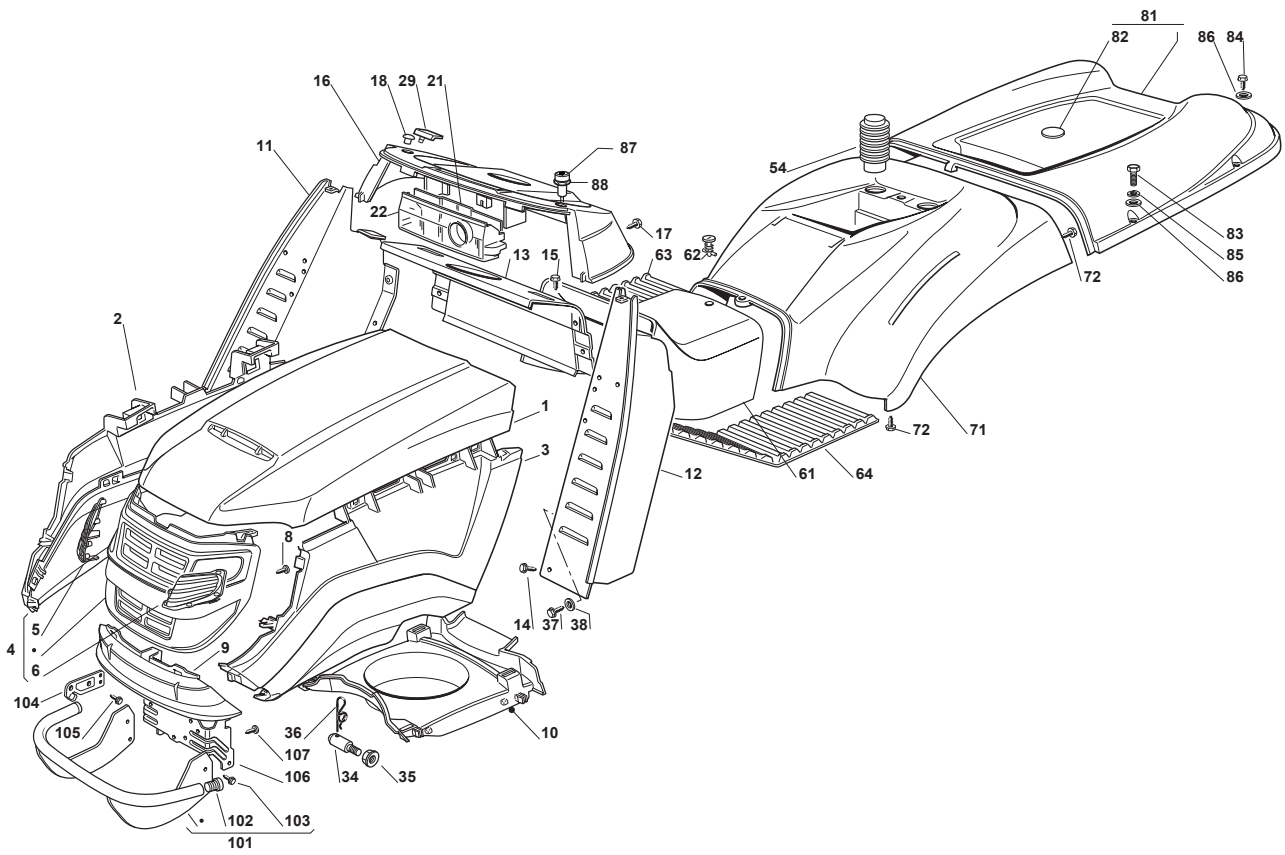


| Fig. | Q.ty | Part No     | Description             | Notes                  |
|------|------|-------------|-------------------------|------------------------|
| 3    | 2    | 112585100/0 | Washer                  |                        |
| 4    | 2    | 112295200/0 | Nut                     |                        |
| 5    | 2    | 325774273/1 | Stiffening              |                        |
| 6    | 1    | 112691100/0 | Screw                   |                        |
| 7    | 3    | 112793102/0 | Screw                   |                        |
| 8    | 4    | 112293201/0 | Nut                     |                        |
| 9    | 1    | 382510041/2 | Right Footboard Support |                        |
| 10   | 1    | 382510043/2 | Left Footboard Support  |                        |
| 11   | 4    | 112815245/0 | Screw                   |                        |
| 12   | 4    | 112523040/0 | Washer                  |                        |
| 13   | 4    | 112154510/0 | Nut                     |                        |
| 14   | 1    | 325785133/5 | Seat Support            |                        |
| 15   | 5    | 112791011/0 | Screw                   |                        |
| 16   | 5    | 112292102/0 | Nut                     |                        |
| 17   | 2    | 325650065/0 | Stiffening              |                        |
| 18   | 6    | 112791011/0 | Screw                   |                        |
| 19   | 6    | 112292102/0 | Nut                     |                        |
| 20   | 1    | 325650067/0 | Stiffening              |                        |
| 21   | 2    | 112360420/0 | Nut                     |                        |
| 22   | 1    | 325785137/1 | Support                 |                        |
| 23   | 4    | 112791011/0 | Screw                   |                        |
| 24   | 4    | 112292102/0 | Nut                     |                        |
| 25   | 1    | 125580019/0 | Belt Guide Peg          |                        |
| 26   | 2    | 112292102/0 | Nut                     |                        |
| 34   | 1    | 125430238/1 | Spring                  |                        |
| 35   | 1    | 112731580/0 | Screw                   |                        |
| 36   | 1    | 112293200/0 | Nut                     |                        |
| 37   | 2    | 112793102/0 | Screw                   |                        |
| 38   | 2    | 112293201/0 | Nut                     |                        |
| 39   | 1    | 325774575/0 | Fulcrum Clamp           |                        |
| 40   | 1    | 325318327/0 | Lever                   |                        |
| 41   | 6    | 112604896/0 | Crown Fastener          |                        |
| 42   | 3    | 122517866/0 | Pin                     |                        |
| 43   | 1    | 112735661/0 | Screw                   |                        |
| 44   | 1    | 112154510/0 | Nut                     |                        |
| 61   | 1    | 382650045/0 | Chassis                 |                        |
| 62   | 4    | 112792611/0 | Screw                   |                        |
| 63   | 2    | 112521330/0 | Washer                  |                        |
| 64   | 4    | 112292102/0 | Nut                     |                        |
| 65   | 2    | 112731350/0 | Screw                   |                        |
| 70   | 1    | 322394505/0 | Knob                    |                        |
| 71   | 2    | 125430205/1 | Spring                  | for Standard TC Models |
| 71   | 2    | 125430257/1 | Spring                  | for TX-TS Models       |
| 73   | 2    | 125943001/1 | Screw                   |                        |
| 74   | 2    | 112293201/0 | Nut                     |                        |
| 75   | 2    | 112523070/0 | Washer                  |                        |
| 77   | 1    | 382774207/0 | Seat Clamp Support      |                        |
| 78   | 2    | 112792611/0 | Screw                   |                        |
| 79   | 2    | 112293201/0 | Nut                     |                        |
| 80   | 1    | 325785149/3 | Fixed Seat Support      |                        |
| 81   | 1    | 125430203/1 | Spring                  |                        |

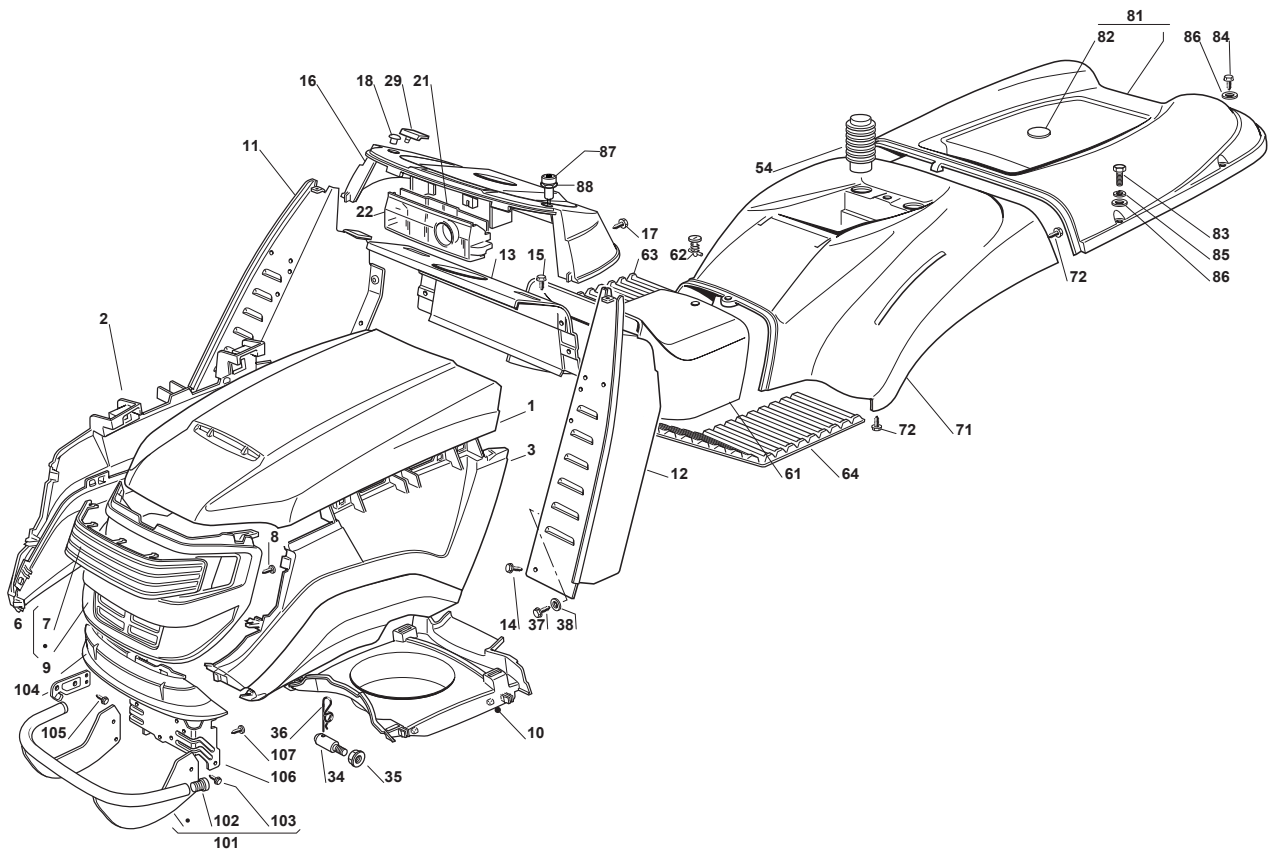




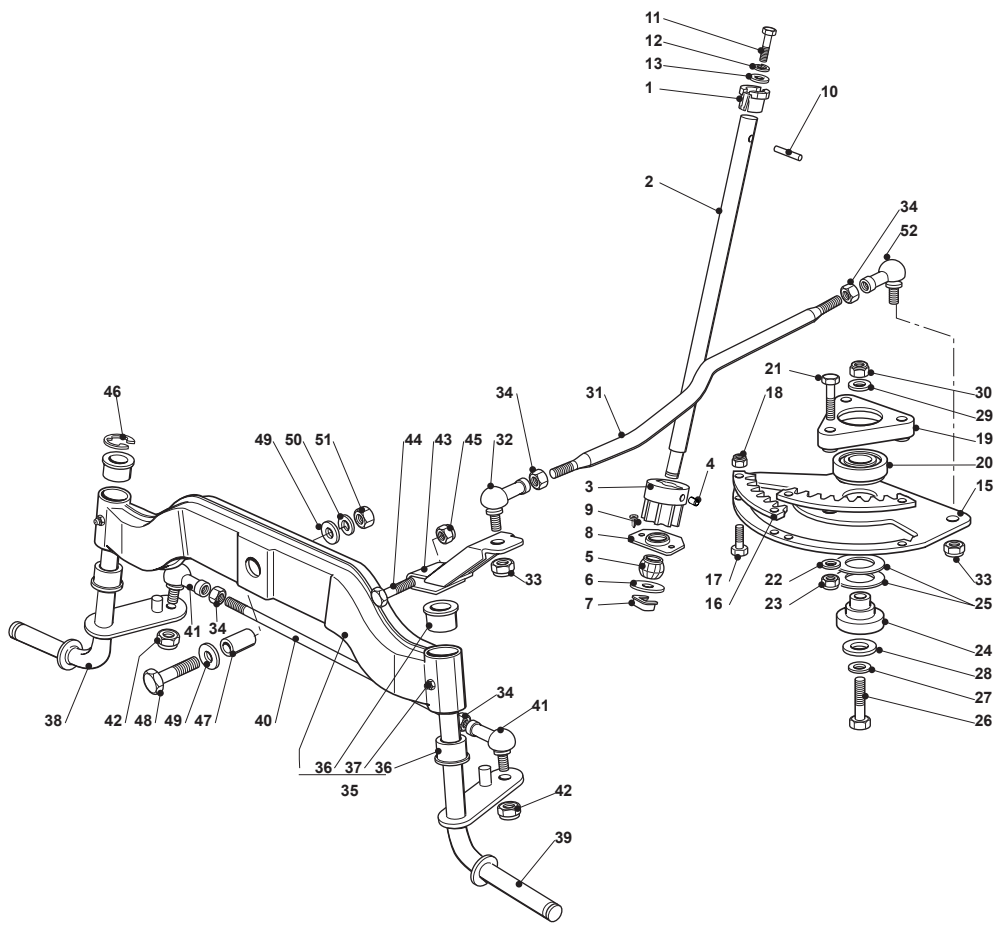
| Fig. | Q.ty | Part No     | Description     | Notes |
|------|------|-------------|-----------------|-------|
| 82   | 1    | 112731580/0 | Screw           |       |
| 83   | 2    | 122524970/2 | Fulcrum Pin     |       |
| 84   | 2    | 112155010/0 | Nut             |       |
| 85   | 1    | 325785147/2 | Seat Support    |       |
| 86   | 1    | 325318303/0 | Stop Lever      |       |
| 87   | 1    | 125510000/0 | Pin             |       |
| 88   | 1    | 125430202/1 | Spring          |       |
| 89   | 2    | 112604897/0 | Elastic Washer  |       |
| 90   | 1    | 125430285/0 | Spring          |       |
| 91   | 1    | 112789000/0 | Screw           |       |
| 92   | 1    | 112154330/0 | Nut             |       |
| 93   | 1    | 325060049/0 | Seat Switch Cam |       |
| 94   | 2    | 112815050/0 | Screw           |       |
| 95   | 4    | 112521320/0 | Washer          |       |
| 96   | 2    | 112154330/0 | Nut             |       |
| 97   | 1    | 325755025/1 | Bracket         |       |
| 98   | 2    | 112735110/0 | Screw           |       |
| 99   | 2    | 112437502/0 | Plate           |       |
| 100  | 1    | 325430255/0 | Spring          |       |
| 101  | 2    | 125510119/0 | Tie Rod         |       |
| 102  | 2    | 124487997/0 | Cotter Pin      |       |
| 103  | 2    | 112155000/0 | Nut             |       |
| 104  | 2    | 125510040/1 | Pin             |       |
| 105  | 2    | 112155000/0 | Nut             |       |



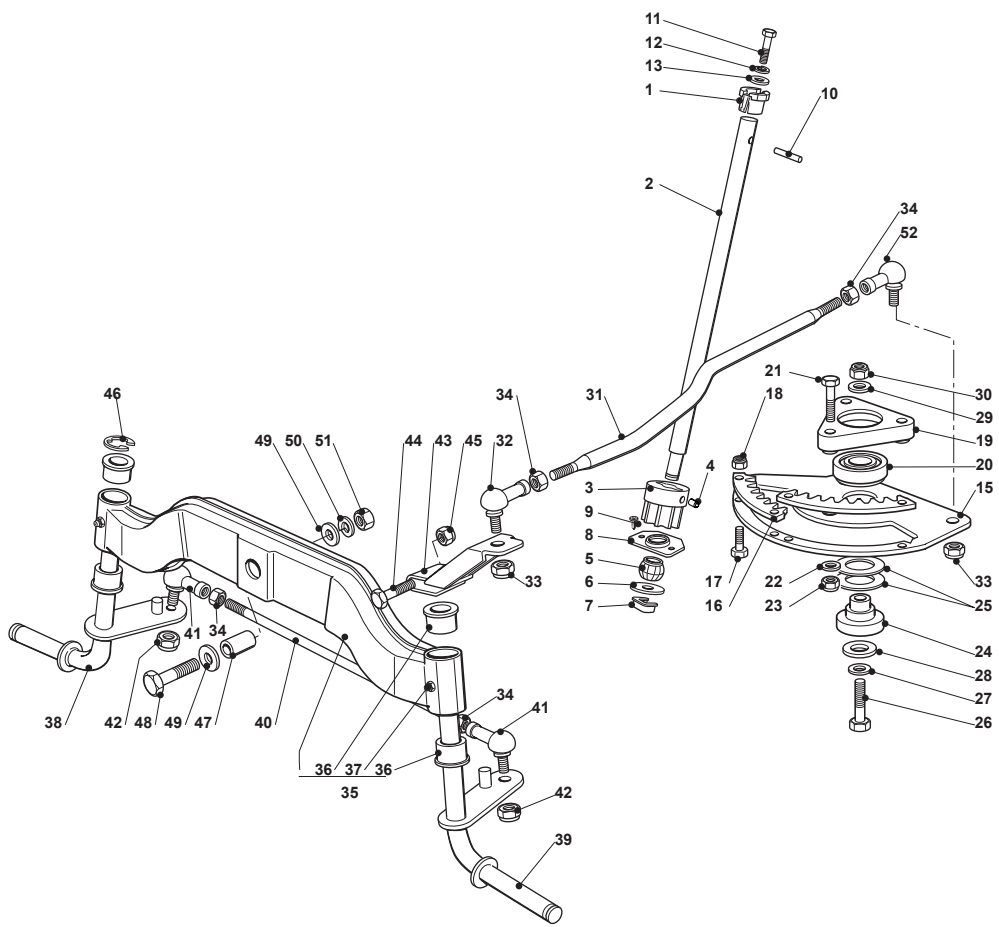
| Fig. | Q.ty | Part No     | Description                    | Notes                            |
|------|------|-------------|--------------------------------|----------------------------------|
| 1    | 1    | 325076871/0 | Upper Engine Hood Red          |                                  |
| 2    | 1    | 382394620/0 | Hood, Right                    |                                  |
| 3    | 1    | 382394621/0 | Hood, Left                     |                                  |
| 4    | 1    | 382394628/0 | Hood, Front                    |                                  |
| 5    | 1    | 325410881/0 | Right Grill                    |                                  |
| 6    | 1    | 325410882/0 | Left Grill                     |                                  |
| 8    | 6    | 112735403/0 | Screw                          |                                  |
| 10   | 1    | 325108031/0 | Conveyor                       |                                  |
| 11   | 1    | 382785022/9 | Right Dashboard Support        |                                  |
| 12   | 1    | 382785021/8 | Left Dashboard Support         |                                  |
| 13   | 1    | 382785137/0 | Central Dashboard Support      |                                  |
| 14   | 2    | 112735110/0 | Screw                          |                                  |
| 15   | 4    | 112735110/0 | Screw                          |                                  |
| 16   | 1    | 325120258/0 | Black Dashboard                | for Standard Electronic Card     |
| 16   | 1    | 325120257/0 | Dashboard                      | for Electronic Card with Display |
| 17   | 4    | 112728440/0 | Screw                          |                                  |
| 18   | 2    | 125120200/0 | Cap                            |                                  |
| 21   | 1    | 125600009/0 | Rear Card Protection           |                                  |
| 22   | 1    | 125600051/0 | Protection                     |                                  |
| 29   | 2    | 125260000/0 | Grommet                        |                                  |
| 34   | 2    | 125510079/1 | Pin                            |                                  |
| 35   | 2    | 112293201/0 | Nut                            |                                  |
| 36   | 1    | 124487998/0 | Cotter Pin                     |                                  |
| 37   | 2    | 112731350/0 | Screw                          |                                  |
| 38   | 2    | 112521330/0 | Washer                         |                                  |
| 54   | 2    | 325122000/2 | Spring                         |                                  |
| 61   | 1    | 325110239/1 | Red Central Cover (Hydro)      |                                  |
| 62   | 1    | 125580020/2 | Stake                          |                                  |
| 63   | 1    | 125110270/0 | Right Footboard Cover          |                                  |
| 64   | 1    | 125110260/2 | Left Footboard Cover           |                                  |
| 71   | 1    | 325109701/1 | Red Wheels Cover               | Red                              |
| 72   | 4    | 112735402/0 | Screw                          |                                  |
| 81   | 1    | 382110200/1 | Red Grass-Catcher Cover        |                                  |
| 82   | 1    | 325547025/1 | Injection Plaque 300941Ggp Tcp |                                  |
| 83   | 2    | 112674701/0 | Screw                          |                                  |
| 84   | 4    | 112729601/1 | Screw                          |                                  |
| 85   | 2    | 112582101/0 | Grower                         |                                  |
| 86   | 6    | 112521331/0 | Washer                         |                                  |
| 87   | 1    | 325605003/0 | Button                         |                                  |
| 88   | 1    | 325256250/0 | Screwed Ring                   |                                  |
| 101  | 1    | 382869025/0 | Muffler Protection             |                                  |
| 102  | 2    | 118737860/0 | Cap                            |                                  |
| 103  | 4    | 112734995/0 | Screw                          |                                  |
| 104  | 2    | 325547159/1 | Plate                          |                                  |
| 105  | 4    | 112731580/0 | Screw                          |                                  |
| 106  | 1    | 325774301/2 | Engine Hood Support            |                                  |
| 107  | 5    | 112735403/0 | Screw                          |                                  |



| Fig. | Q.ty | Part No     | Description                    | Notes                            |
|------|------|-------------|--------------------------------|----------------------------------|
| 9    | 1    | 325076877/1 | Lower Red Hood, Front          |                                  |
| 1    | 1    | 325076871/0 | Upper Engine Hood Red          |                                  |
| 2    | 1    | 382394620/0 | Hood, Right                    |                                  |
| 3    | 1    | 382394621/0 | Hood, Left                     |                                  |
| 6    | 1    | 382394618/0 | Hood, Front                    |                                  |
| 7    | 1    | 325410878/0 | Grill                          |                                  |
| 8    | 6    | 112735403/0 | Screw                          |                                  |
| 10   | 1    | 325108031/0 | Conveyor                       |                                  |
| 11   | 1    | 382785022/8 | Right Dashboard Support        |                                  |
| 11   | 1    | 382785022/9 | Right Dashboard Support        |                                  |
| 12   | 1    | 382785021/7 | Left Dashboard Support         |                                  |
| 12   | 1    | 382785021/8 | Left Dashboard Support         |                                  |
| 13   | 1    | 382785137/0 | Central Dashboard Support      |                                  |
| 14   | 2    | 112735110/0 | Screw                          |                                  |
| 15   | 4    | 112735110/0 | Screw                          |                                  |
| 16   | 1    | 325120258/0 | Black Dashboard                | for Standard Electronic Card     |
| 16   | 1    | 325120257/0 | Dashboard                      | for Electronic Card with Display |
| 17   | 4    | 112728440/0 | Screw                          |                                  |
| 18   | 2    | 125120200/0 | Cap                            |                                  |
| 21   | 1    | 125600009/0 | Rear Card Protection           |                                  |
| 22   | 1    | 125600051/0 | Protection                     |                                  |
| 29   | 2    | 125260000/0 | Grommet                        |                                  |
| 34   | 2    | 125510079/1 | Pin                            |                                  |
| 35   | 2    | 112293201/0 | Nut                            |                                  |
| 36   | 1    | 124487998/0 | Cotter Pin                     |                                  |
| 37   | 2    | 112731350/0 | Screw                          |                                  |
| 38   | 2    | 112521330/0 | Washer                         |                                  |
| 54   | 2    | 325122000/2 | Spring                         |                                  |
| 61   | 1    | 325110239/1 | Red Central Cover (Hydro)      |                                  |
| 62   | 1    | 125580020/2 | Stake                          |                                  |
| 63   | 1    | 125110270/0 | Right Footboard Cover          |                                  |
| 64   | 1    | 125110260/2 | Left Footboard Cover           |                                  |
| 71   | 1    | 325109701/1 | Red Wheels Cover               | Red                              |
| 72   | 4    | 112735402/0 | Screw                          |                                  |
| 81   | 1    | 382110200/1 | Red Grass-Catcher Cover        |                                  |
| 82   | 1    | 325547025/1 | Injection Plaque 300941Ggp Tcp |                                  |
| 83   | 2    | 112674701/0 | Screw                          |                                  |
| 84   | 4    | 112729601/1 | Screw                          |                                  |
| 85   | 2    | 112582101/0 | Grower                         |                                  |
| 86   | 6    | 112521331/0 | Washer                         |                                  |
| 87   | 1    | 325605003/0 | Button                         |                                  |
| 88   | 1    | 325256250/0 | Screwed Ring                   |                                  |
| 101  | 1    | 382869025/0 | Muffler Protection             |                                  |
| 102  | 2    | 118737860/0 | Cap                            |                                  |
| 103  | 4    | 112734995/0 | Screw                          |                                  |
| 104  | 2    | 325547159/1 | Plate                          |                                  |
| 105  | 4    | 112731580/0 | Screw                          |                                  |
| 106  | 1    | 325774301/2 | Engine Hood Support            |                                  |
| 107  | 5    | 112735403/0 | Screw                          |                                  |



| Fig. | Q.ty | Part No     | Description                        | Notes |
|------|------|-------------|------------------------------------|-------|
| 1    | 1    | 325038004/0 | Bushing                            |       |
| 2    | 1    | 125520010/0 | Steering Column                    |       |
| 3    | 1    | 125570004/0 | Pinion                             |       |
| 4    | 1    | 112714300/0 | Dowel                              |       |
| 5    | 1    | 325743000/0 | Joint                              |       |
| 6    | 1    | 112521370/0 | Washer                             |       |
| 7    | 1    | 112436030/0 | Plate                              |       |
| 8    | 1    | 325785213/1 | Support                            |       |
| 9    | 2    | 112729601/1 | Screw                              |       |
| 10   | 1    | 112620250/0 | Pin                                |       |
| 11   | 1    | 112691800/0 | Screw                              |       |
| 12   | 1    | 112583500/0 | Grower                             |       |
| 13   | 1    | 112523060/0 | Washer                             |       |
| 15   | 1    | 325735523/0 | Steering Sector                    |       |
| 16   | 2    | 325150000/0 | Rack                               |       |
| 17   | 4    | 112791213/1 | Screw                              |       |
| 18   | 4    | 112154510/0 | Nut                                |       |
| 19   | 1    | 325774453/0 | Clamp                              |       |
| 20   | 1    | 119216047/0 | Bearing                            |       |
| 21   | 3    | 112691100/0 | Screw                              |       |
| 22   | 3    | 112523060/0 | Washer                             |       |
| 23   | 3    | 112155000/0 | Nut                                |       |
| 24   | 1    | 125510120/0 | Support                            |       |
| 25   | 2    | 322672153/0 | Antifriction Washer                |       |
| 26   | 1    | 112692395/0 | Screw                              |       |
| 27   | 1    | 112523080/0 | Washer                             |       |
| 28   | 1    | 112521390/0 | Washer                             |       |
| 29   | 1    | 112523080/0 | Washer                             |       |
| 30   | 1    | 112156602/0 | Nut                                |       |
| 31   | 1    | 125033003/1 | Steering Rod                       |       |
| 32   | 2    | 122746600/0 | Joint                              |       |
| 32   | 2    | 122746616/0 | Joint                              |       |
| 33   | 2    | 122746609/0 | Joint                              |       |
| 34   | 4    | 112156602/0 | Nut                                |       |
| 35   | 1    | 382034001/3 | Equalizer With Bush And Lubricator |       |
| 36   | 4    | 125034002/1 | Bushing                            |       |
| 37   | 2    | 112379511/0 | Grease Dispenser                   |       |
| 38   | 1    | 382230349/0 | Right Stub Axle                    |       |
| 39   | 1    | 382230348/0 | Left Stub Axle                     |       |
| 40   | 1    | 325840001/0 | Tie Rod                            |       |
| 41   | 2    | 122746616/0 | Joint                              |       |
| 42   | 2    | 112156602/0 | Nut                                |       |
| 43   | 1    | 382318101/0 | Lever Ass.Y                        |       |
| 44   | 1    | 112691700/0 | Screw                              |       |
| 45   | 1    | 112155000/0 | Nut                                |       |
| 46   | 1    | 112001000/0 | Benzing Ring                       |       |
| 47   | 1    | 125160005/0 | Spacer                             |       |
| 48   | 1    | 112694100/0 | Screw                              |       |
| 49   | 2    | 112521390/0 | Washer                             |       |
| 50   | 1    | 112587900/0 | Grower                             |       |
| 51   | 1    | 112295800/0 | Nut                                |       |



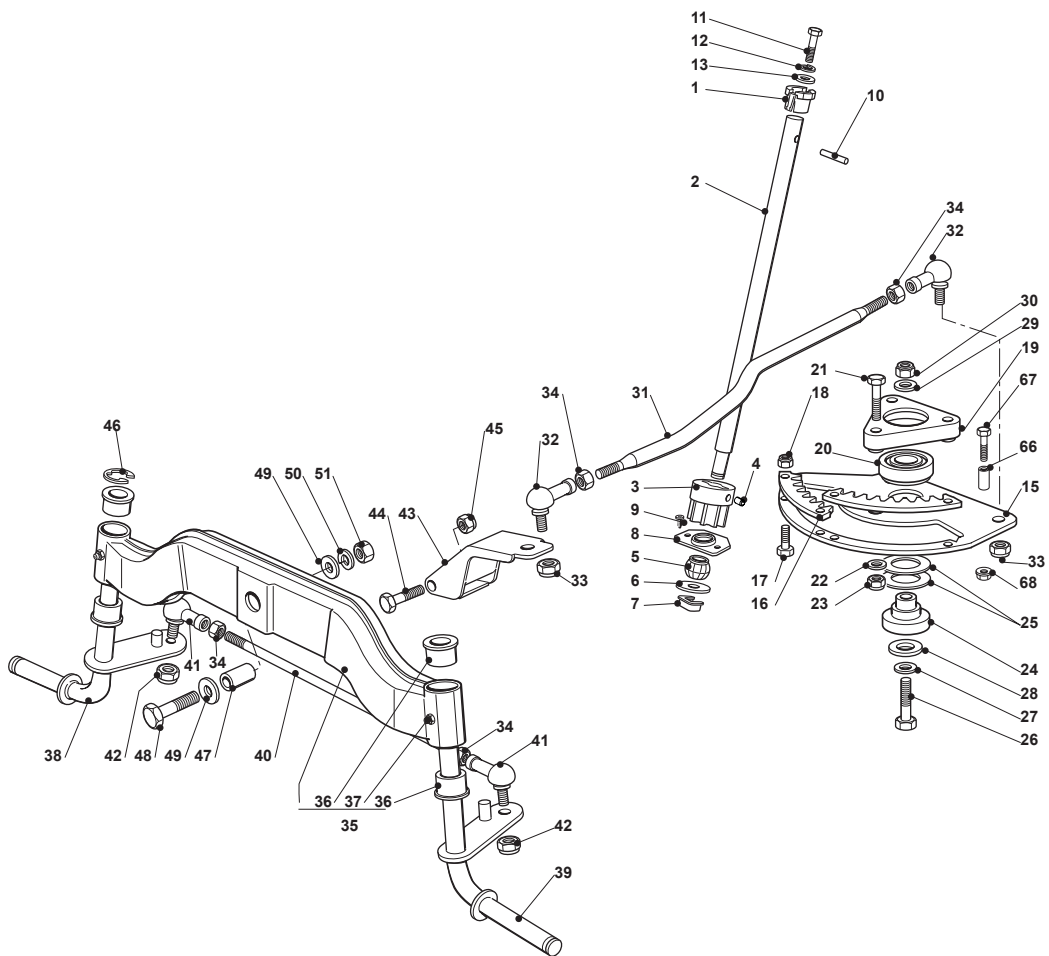


# TCS 102 HYDRO

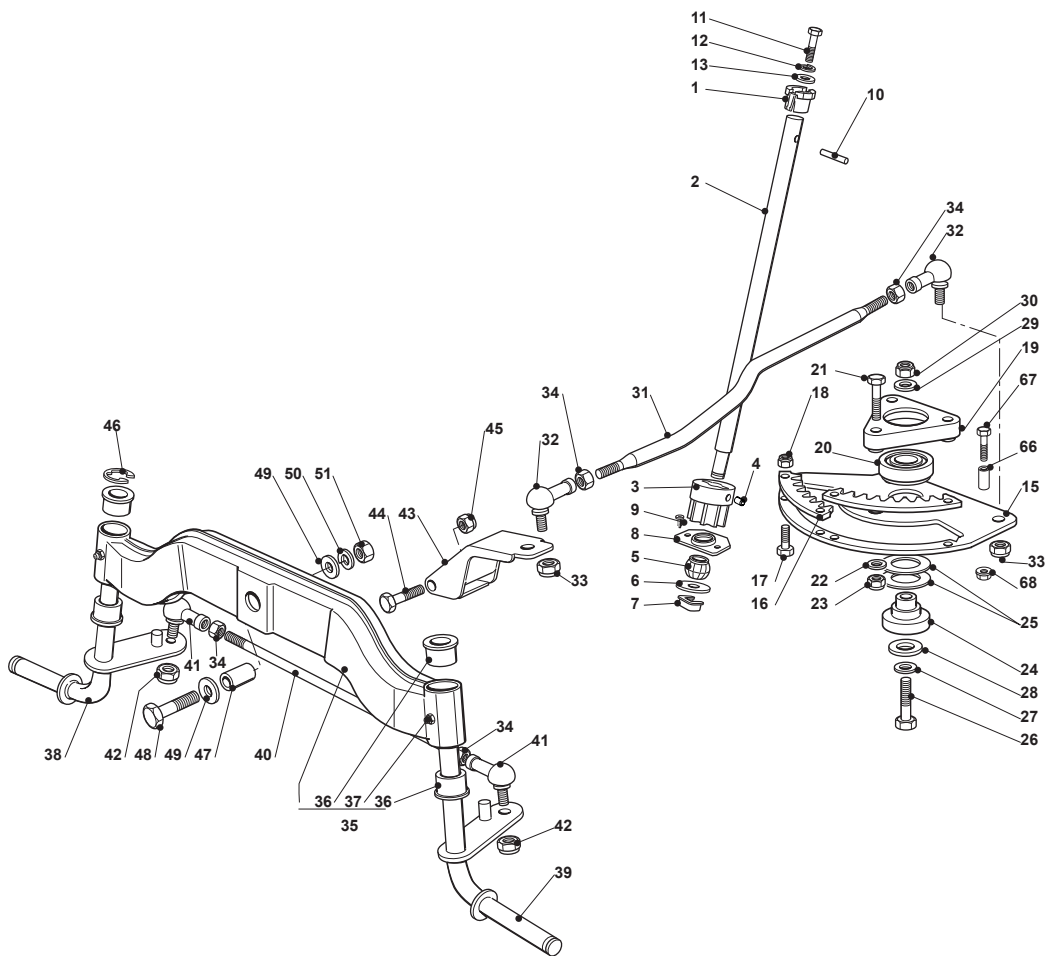
Ride-on 102-122 cm Steering 13"

Issue 13 - 2016

| Fig. | Q.ty | Part No     | Description | Notes |
|------|------|-------------|-------------|-------|
| 52   | 2    | 122746616/0 | Joint       |       |



| Fig. | Q.ty | Part No     | Description                        | Notes |
|------|------|-------------|------------------------------------|-------|
| 1    | 1    | 325038004/0 | Bushing                            |       |
| 2    | 1    | 125520010/0 | Steering Column                    |       |
| 3    | 1    | 125570004/0 | Pinion                             |       |
| 4    | 1    | 112714300/0 | Dowel                              |       |
| 5    | 1    | 325743000/0 | Joint                              |       |
| 6    | 1    | 112521370/0 | Washer                             |       |
| 7    | 1    | 112436030/0 | Plate                              |       |
| 8    | 1    | 325785213/1 | Support                            |       |
| 9    | 2    | 112729601/1 | Screw                              |       |
| 10   | 1    | 112620250/0 | Pin                                |       |
| 11   | 1    | 112691800/0 | Screw                              |       |
| 12   | 1    | 112583500/0 | Grower                             |       |
| 13   | 1    | 112523060/0 | Washer                             |       |
| 15   | 1    | 325735523/0 | Steering Sector                    |       |
| 16   | 2    | 325150000/0 | Rack                               |       |
| 17   | 4    | 112791213/1 | Screw                              |       |
| 18   | 4    | 112154510/0 | Nut                                |       |
| 19   | 1    | 325774453/0 | Clamp                              |       |
| 20   | 1    | 119216047/0 | Bearing                            |       |
| 21   | 3    | 112691100/0 | Screw                              |       |
| 22   | 3    | 112523060/0 | Washer                             |       |
| 23   | 3    | 112155000/0 | Nut                                |       |
| 24   | 1    | 125510120/0 | Support                            |       |
| 25   | 2    | 322672153/0 | Antifriction Washer                |       |
| 26   | 1    | 112692395/0 | Screw                              |       |
| 27   | 1    | 112523080/0 | Washer                             |       |
| 28   | 1    | 112521390/0 | Washer                             |       |
| 29   | 1    | 112523080/0 | Washer                             |       |
| 30   | 1    | 112156602/0 | Nut                                |       |
| 31   | 1    | 125033003/1 | Steering Rod                       |       |
| 32   | 2    | 122746600/0 | Joint                              |       |
| 32   | 2    | 122746616/0 | Joint                              |       |
| 33   | 2    | 122746609/0 | Joint                              |       |
| 34   | 4    | 112156602/0 | Nut                                |       |
| 35   | 1    | 382034001/3 | Equalizer With Bush And Lubricator |       |
| 36   | 4    | 125034002/1 | Bushing                            |       |
| 37   | 2    | 112379511/0 | Grease Dispenser                   |       |
| 38   | 1    | 382230361/0 | Right Stub Axle                    |       |
| 39   | 1    | 382230359/0 | Left Stub Axle                     |       |
| 40   | 1    | 325840001/0 | Tie Rod                            |       |
| 41   | 2    | 122746616/0 | Joint                              |       |
| 42   | 2    | 112156602/0 | Nut                                |       |
| 43   | 1    | 382318185/0 | Lever Ass.Y                        |       |
| 44   | 1    | 112692395/0 | Screw                              |       |
| 45   | 1    | 112155000/0 | Nut                                |       |
| 46   | 1    | 112001000/0 | Benzing Ring                       |       |
| 47   | 1    | 125160005/0 | Spacer                             |       |
| 48   | 1    | 112694100/0 | Screw                              |       |
| 49   | 2    | 112521390/0 | Washer                             |       |
| 50   | 1    | 112587900/0 | Grower                             |       |
| 51   | 1    | 112295800/0 | Nut                                |       |

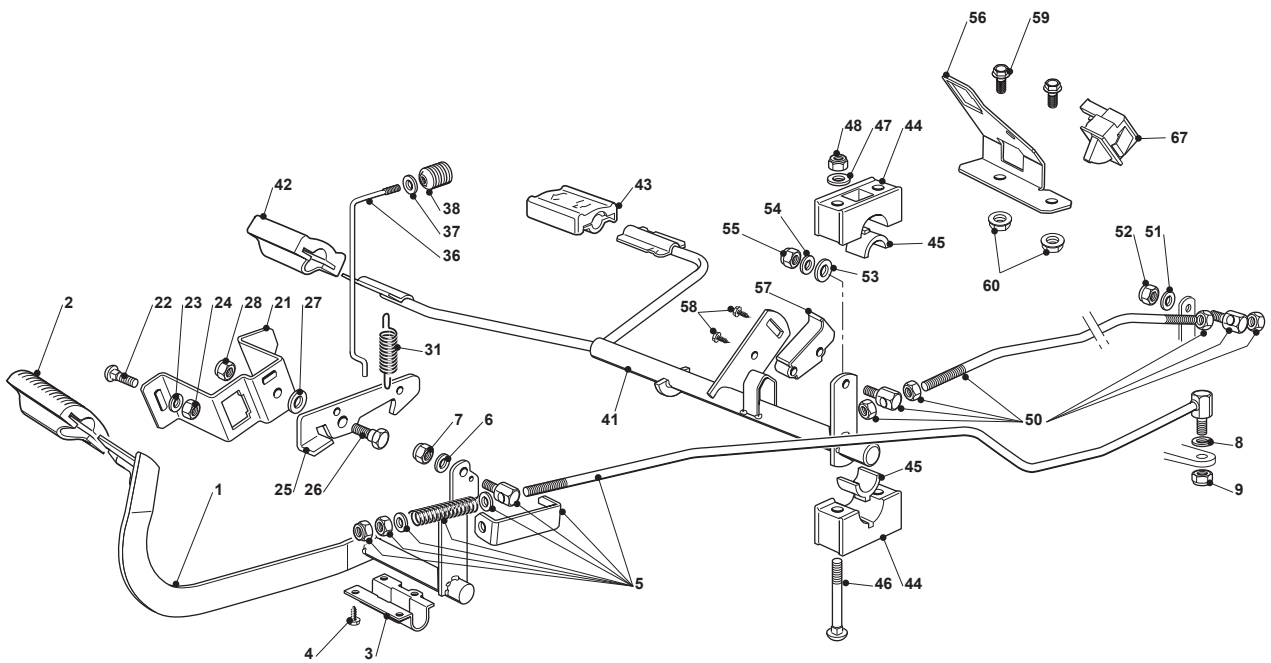


# TCS 102 HYDRO

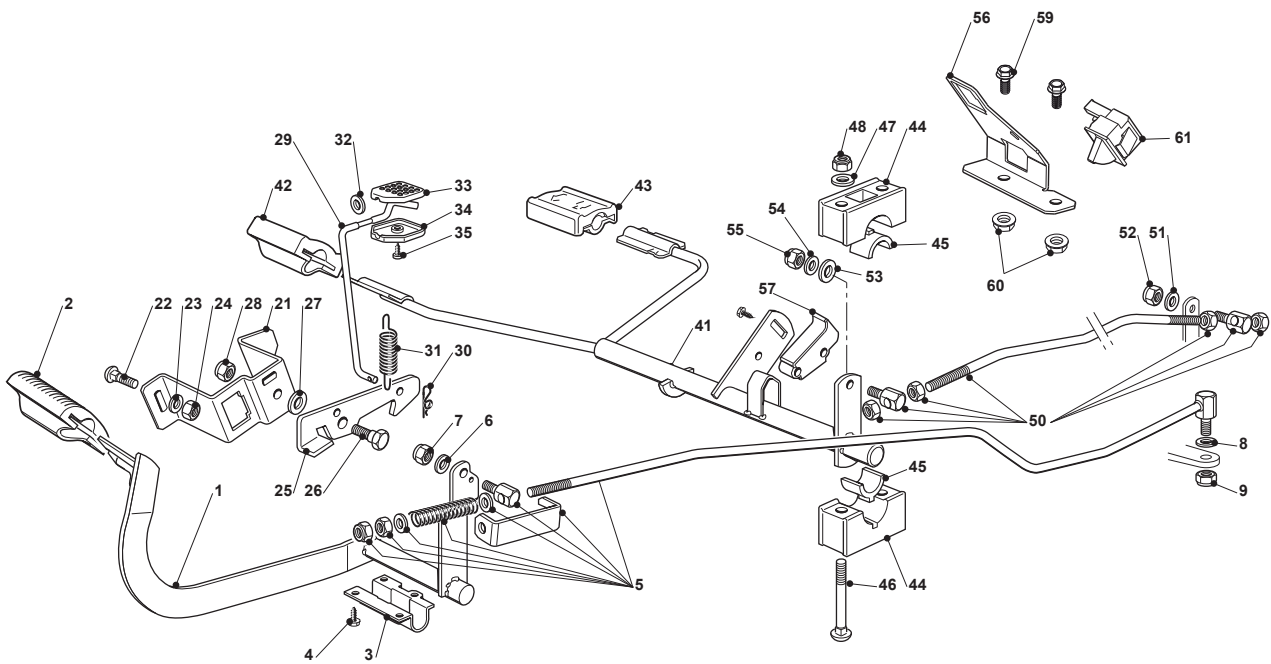
Ride-on 102-122 cm Steering 15"

Issue 13 - 2016

| Fig. | Q.ty | Part No     | Description | Notes |
|------|------|-------------|-------------|-------|
| 66   | 1    | 122167840/0 | Spacer      |       |
| 67   | 1    | 112691200/0 | Screw       |       |
| 68   | 1    | 112293201/0 | Nut         |       |

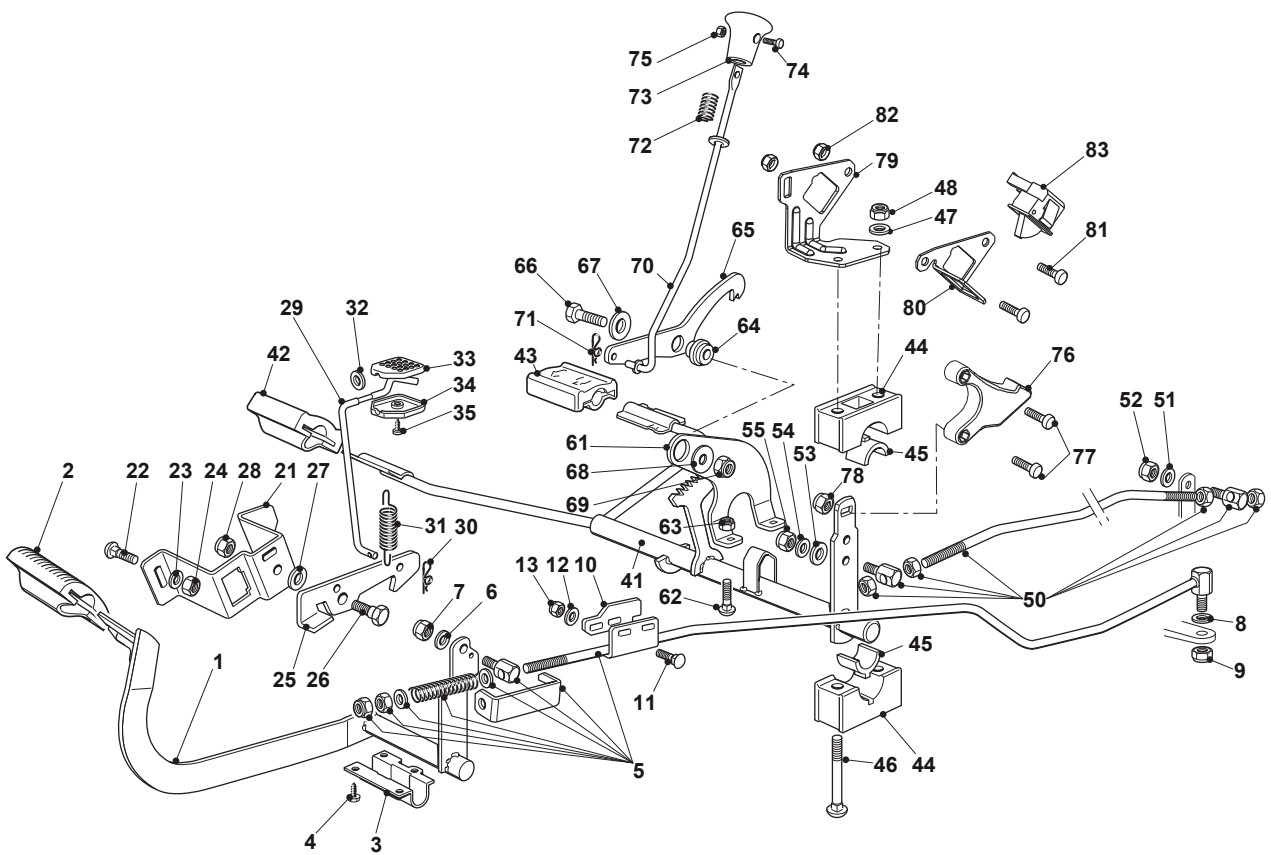


| Fig. | Q.ty | Part No       | Description          | Notes |
|------|------|---------------|----------------------|-------|
| 61   | 1    | 382394853/OLC | Switch Ass.Y         |       |
| 1    | 1    | 382500011/2   | Pedal                |       |
| 2    | 1    | 325110416/0   | Clamp Cover          |       |
| 3    | 1    | 325547081/2   | Plate                |       |
| 4    | 4    | 112731601/0   | Screw                |       |
| 5    | 1    | 382000582/0   | Rod                  |       |
| 6    | 1    | 112521350/0   | Washer               |       |
| 7    | 1    | 112155000/0   | Nut                  |       |
| 8    | 2    | 112521360/0   | Washer               |       |
| 9    | 1    | 112155000/0   | Nut                  |       |
| 21   | 1    | 325785143/1   | Support              |       |
| 22   | 2    | 112815210/0   | Screw                |       |
| 23   | 1    | 112523040/0   | Washer               |       |
| 24   | 2    | 112154510/0   | Nut                  |       |
| 25   | 1    | 325253001/0   | Hook                 |       |
| 26   | 1    | 122524970/2   | Fulcrum Pin          |       |
| 27   | 1    | 325670011/0   | Antifriction Washer  |       |
| 28   | 1    | 112155000/0   | Nut                  |       |
| 31   | 1    | 125430213/0   | Spring               |       |
| 36   | 1    | 125033034/0   | Rod                  |       |
| 37   | 1    | 125394509/1   | Knob                 |       |
| 38   | 1    | 112523020/0   | Washer               |       |
| 41   | 1    | 382000391/1   | Drive Pedal          |       |
| 42   | 1    | 325110417/0   | Clamp Cover Front    |       |
| 43   | 1    | 325110418/0   | Clamp Cover Rear     |       |
| 44   | 4    | 325785354/0   | Support              |       |
| 45   | 4    | 325034003/0   | Brass                |       |
| 46   | 4    | 112815271/0   | Screw                |       |
| 47   | 4    | 112523040/0   | Washer               |       |
| 48   | 4    | 112154510/0   | Nut                  |       |
| 50   | 1    | 382000579/0   | Rod                  |       |
| 51   | 1    | 112523040/0   | Washer               |       |
| 52   | 1    | 112154510/0   | Nut                  |       |
| 53   | 1    | 112521360/0   | Washer               |       |
| 54   | 1    | 112523040/0   | Washer               |       |
| 55   | 1    | 112154510/0   | Nut                  |       |
| 56   | 1    | 325785481/0   | Micro Switch Bracket |       |
| 57   | 1    | 325060034/1   | Cam                  |       |
| 58   | 1    | 112735404/0   | Screw                |       |
| 59   | 2    | 112793102/0   | Screw                |       |
| 60   | 2    | 112293201/0   | Nut                  |       |
| 62   | 1    | 119410609/1LC | Micro Switch         |       |
| 63   | 2    | 112735602/0   | Screw                |       |
| 64   | 2    | 112581100/0   | Grower               |       |
| 65   | 2    | 112290791/0   | Nut                  |       |
| 66   | 2    | 112735110/0   | Screw                |       |
| 67   | 1    | 119410614/0   | Microswitch          |       |

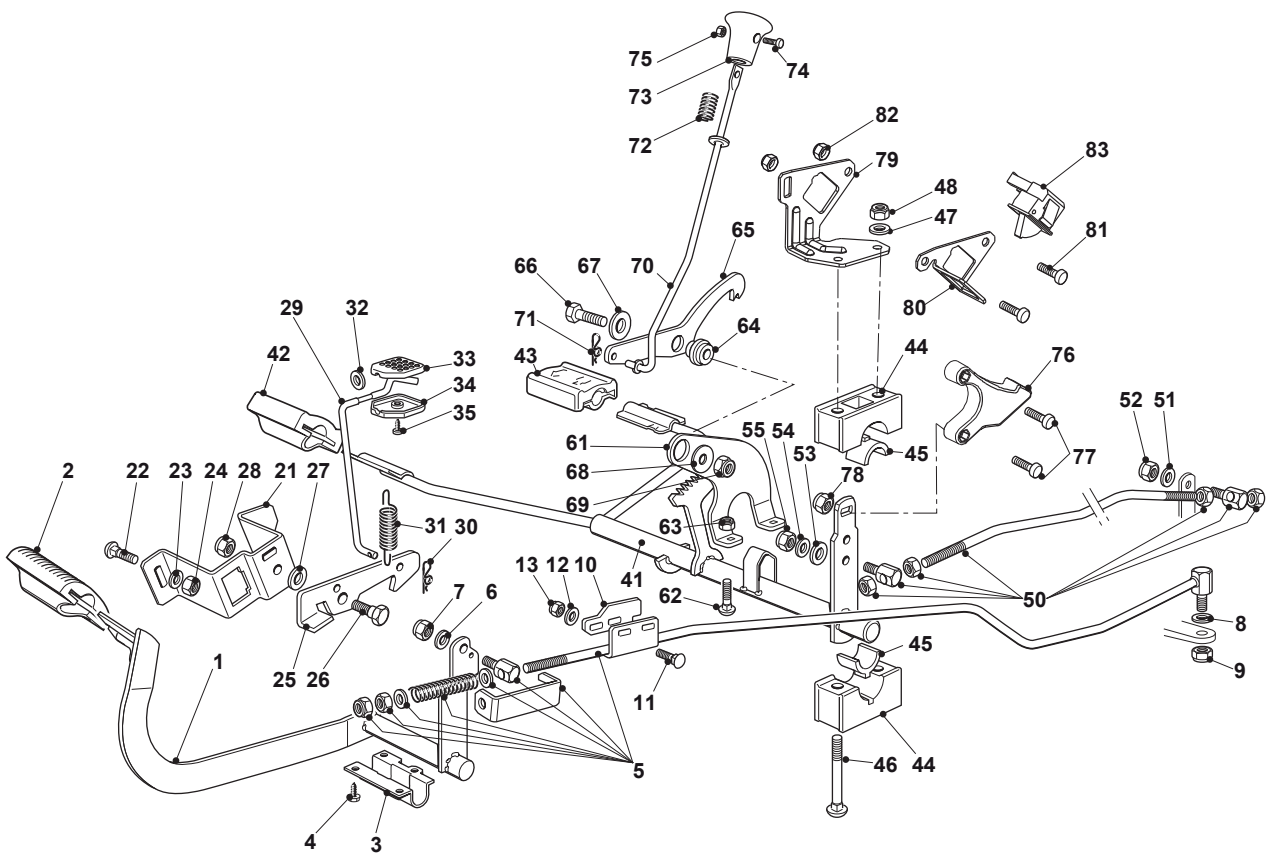




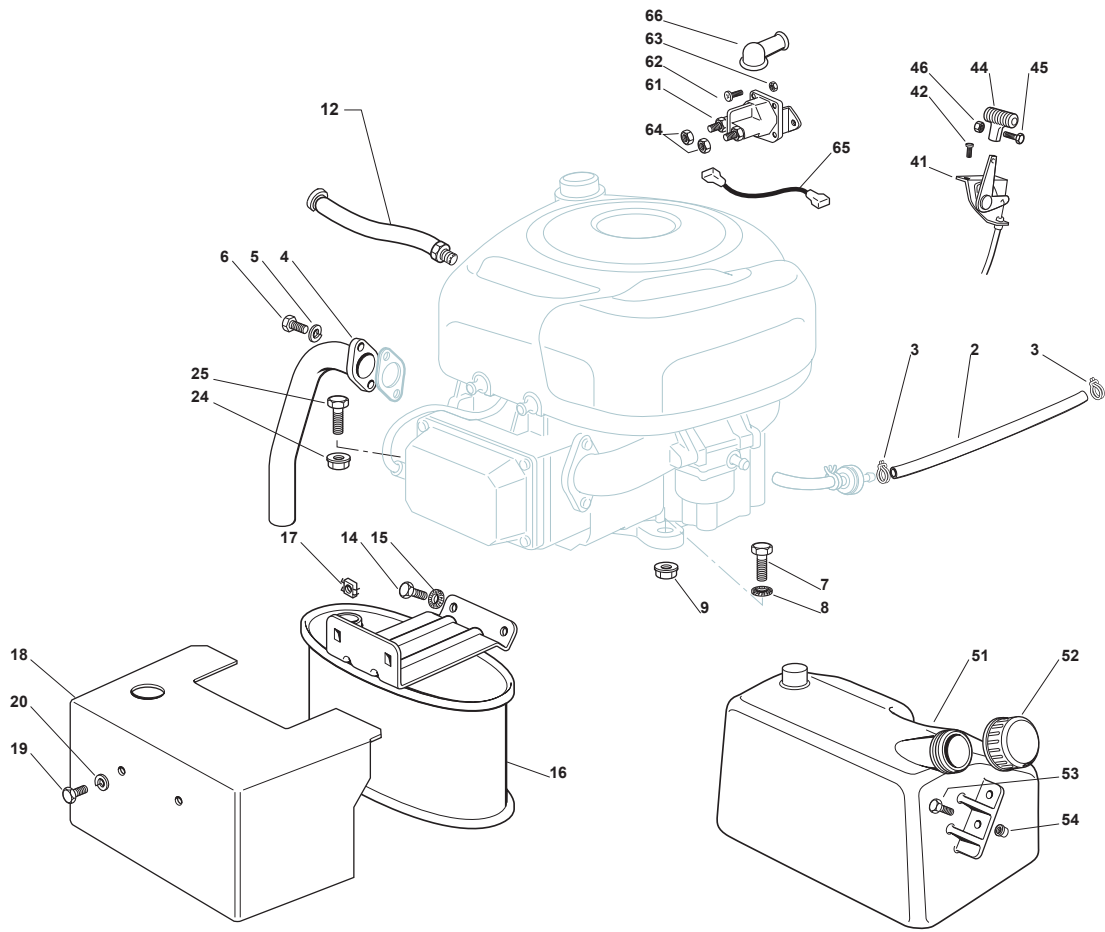
| Fig. | Q.ty | Part No     | Description          | Notes |
|------|------|-------------|----------------------|-------|
| 1    | 1    | 382500011/2 | Pedal                |       |
| 2    | 1    | 325110416/0 | Clamp Cover          |       |
| 3    | 1    | 325547081/2 | Plate                |       |
| 4    | 4    | 112731601/0 | Screw                |       |
| 5    | 1    | 382000582/0 | Rod                  |       |
| 6    | 1    | 112521350/0 | Washer               |       |
| 7    | 1    | 112155000/0 | Nut                  |       |
| 8    | 2    | 112521360/0 | Washer               |       |
| 9    | 1    | 112155000/0 | Nut                  |       |
| 21   | 1    | 325785143/1 | Support              |       |
| 22   | 2    | 112815210/0 | Screw                |       |
| 23   | 1    | 112523040/0 | Washer               |       |
| 24   | 2    | 112154510/0 | Nut                  |       |
| 25   | 1    | 325253001/0 | Hook                 |       |
| 26   | 1    | 122524970/2 | Fulcrum Pin          |       |
| 27   | 1    | 325670011/0 | Antifriction Washer  |       |
| 28   | 1    | 112155000/0 | Nut                  |       |
| 29   | 1    | 125033097/0 | Rod                  |       |
| 30   | 1    | 124487997/0 | Cotter Pin           |       |
| 31   | 1    | 125430213/0 | Spring               |       |
| 32   | 1    | 112523040/0 | Washer               |       |
| 33   | 1    | 325592001/0 | Knob                 |       |
| 34   | 1    | 325592002/0 | Knob                 |       |
| 35   | 1    | 112727815/0 | Screw                |       |
| 41   | 1    | 382000391/1 | Drive Pedal          |       |
| 42   | 1    | 325110417/0 | Clamp Cover Front    |       |
| 43   | 1    | 325110418/0 | Clamp Cover Rear     |       |
| 44   | 4    | 325785354/0 | Support              |       |
| 45   | 4    | 325034003/0 | Brass                |       |
| 46   | 4    | 112815271/0 | Screw                |       |
| 47   | 4    | 112523040/0 | Washer               |       |
| 48   | 4    | 112154510/0 | Nut                  |       |
| 50   | 1    | 382000579/0 | Rod                  |       |
| 51   | 1    | 112523040/0 | Washer               |       |
| 52   | 1    | 112154510/0 | Nut                  |       |
| 53   | 1    | 112521360/0 | Washer               |       |
| 54   | 1    | 112523040/0 | Washer               |       |
| 55   | 1    | 112154510/0 | Nut                  |       |
| 56   | 1    | 325785481/0 | Micro Switch Bracket |       |
| 57   | 1    | 325060034/1 | Cam                  |       |
| 58   | 1    | 112735404/0 | Screw                |       |
| 59   | 2    | 112793102/0 | Screw                |       |
| 60   | 2    | 112293201/0 | Nut                  |       |
| 61   | 1    | 119410614/0 | Microswitch          |       |



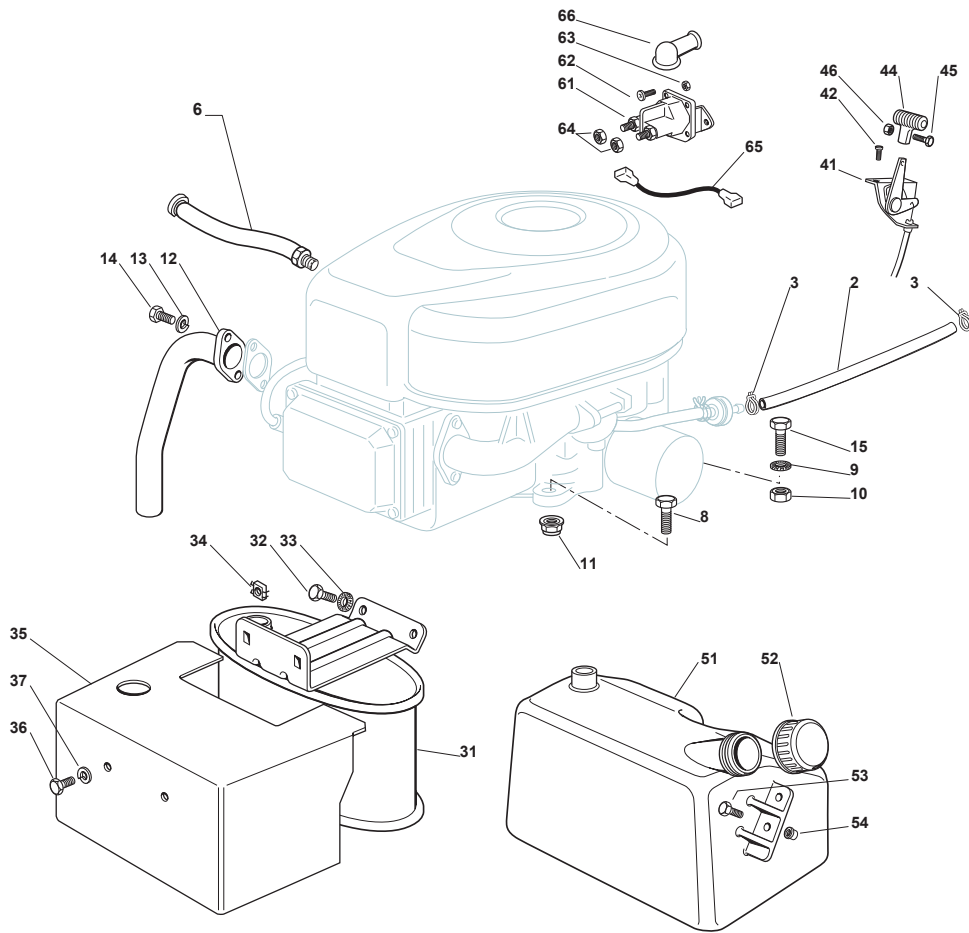
| Fig. | Q.ty | Part No     | Description         | Notes |
|------|------|-------------|---------------------|-------|
| 1    | 1    | 382500011/2 | Pedal               |       |
| 2    | 1    | 325110416/0 | Clamp Cover         |       |
| 3    | 1    | 325547081/2 | Plate               |       |
| 4    | 4    | 112731601/0 | Screw               |       |
| 5    | 1    | 382000626/0 | Brake Rod Assy      |       |
| 6    | 1    | 112521350/0 | Washer              |       |
| 7    | 1    | 112155000/0 | Nut                 |       |
| 8    | 2    | 112521360/0 | Washer              |       |
| 9    | 1    | 112155000/0 | Nut                 |       |
| 10   | 1    | 325547281/1 | Plate               |       |
| 11   | 2    | 112815210/0 | Screw               |       |
| 12   | 2    | 112523040/0 | Washer              |       |
| 13   | 2    | 112154510/0 | Nut                 |       |
| 21   | 1    | 325785143/1 | Support             |       |
| 22   | 2    | 112815210/0 | Screw               |       |
| 23   | 1    | 112523040/0 | Washer              |       |
| 24   | 2    | 112154510/0 | Nut                 |       |
| 25   | 1    | 325253001/0 | Hook                |       |
| 26   | 1    | 122524970/2 | Fulcrum Pin         |       |
| 27   | 1    | 325670011/0 | Antifriction Washer |       |
| 28   | 1    | 112155000/0 | Nut                 |       |
| 29   | 1    | 125033097/0 | Rod                 |       |
| 30   | 1    | 124487997/0 | Cotter Pin          |       |
| 31   | 1    | 125430213/0 | Spring              |       |
| 32   | 1    | 112523040/0 | Washer              |       |
| 33   | 1    | 325592001/0 | Knob                |       |
| 34   | 1    | 325592002/0 | Knob                |       |
| 35   | 1    | 112727815/0 | Screw               |       |
| 41   | 1    | 382000389/1 | Drive Pedal         |       |
| 42   | 1    | 325110417/0 | Clamp Cover Front   |       |
| 43   | 1    | 325110418/0 | Clamp Cover Rear    |       |
| 44   | 4    | 325785354/0 | Support             |       |
| 45   | 4    | 325034003/0 | Brass               |       |
| 46   | 4    | 112815271/0 | Screw               |       |
| 47   | 4    | 112523040/0 | Washer              |       |
| 48   | 4    | 112154510/0 | Nut                 |       |
| 50   | 1    | 382000579/0 | Rod                 |       |
| 51   | 1    | 112523040/0 | Washer              |       |
| 52   | 1    | 112154510/0 | Nut                 |       |
| 53   | 1    | 112521360/0 | Washer              |       |
| 54   | 1    | 112523040/0 | Washer              |       |
| 55   | 1    | 112154510/0 | Nut                 |       |
| 61   | 1    | 325774477/0 | Clamp               |       |
| 62   | 2    | 112815210/0 | Screw               |       |
| 63   | 2    | 112292102/0 | Nut                 |       |
| 64   | 1    | 125040638/0 | Bushing             |       |
| 65   | 1    | 325022000/1 | Hook                |       |
| 66   | 1    | 112691100/0 | Screw               |       |
| 67   | 1    | 112523060/0 | Washer              |       |
| 68   | 1    | 322672152/0 | Antifriction Washer |       |
| 69   | 1    | 112155000/0 | Nut                 |       |



| Fig. | Q.ty | Part No     | Description          | Notes |
|------|------|-------------|----------------------|-------|
| 70   | 1    | 125033091/0 | Rod                  |       |
| 71   | 1    | 124487995/0 | Cotter Pin           |       |
| 72   | 1    | 125430232/0 | Spring               |       |
| 73   | 1    | 325605002/0 | Button               |       |
| 74   | 1    | 112726389/0 | Screw                |       |
| 75   | 1    | 112290800/0 | Nut                  |       |
| 76   | 1    | 325060050/0 | Cam                  |       |
| 77   | 1    | 112789100/0 | Screw                |       |
| 78   | 2    | 112154330/0 | Nut                  |       |
| 79   | 2    | 325755071/0 | Angle Bracket        |       |
| 80   | 1    | 325785479/0 | Micro Switch Bracket |       |
| 81   | 2    | 112791400/0 | Screw                |       |
| 82   | 2    | 112292102/0 | Nut                  |       |
| 83   | 1    | 119410614/0 | Microswitch          |       |

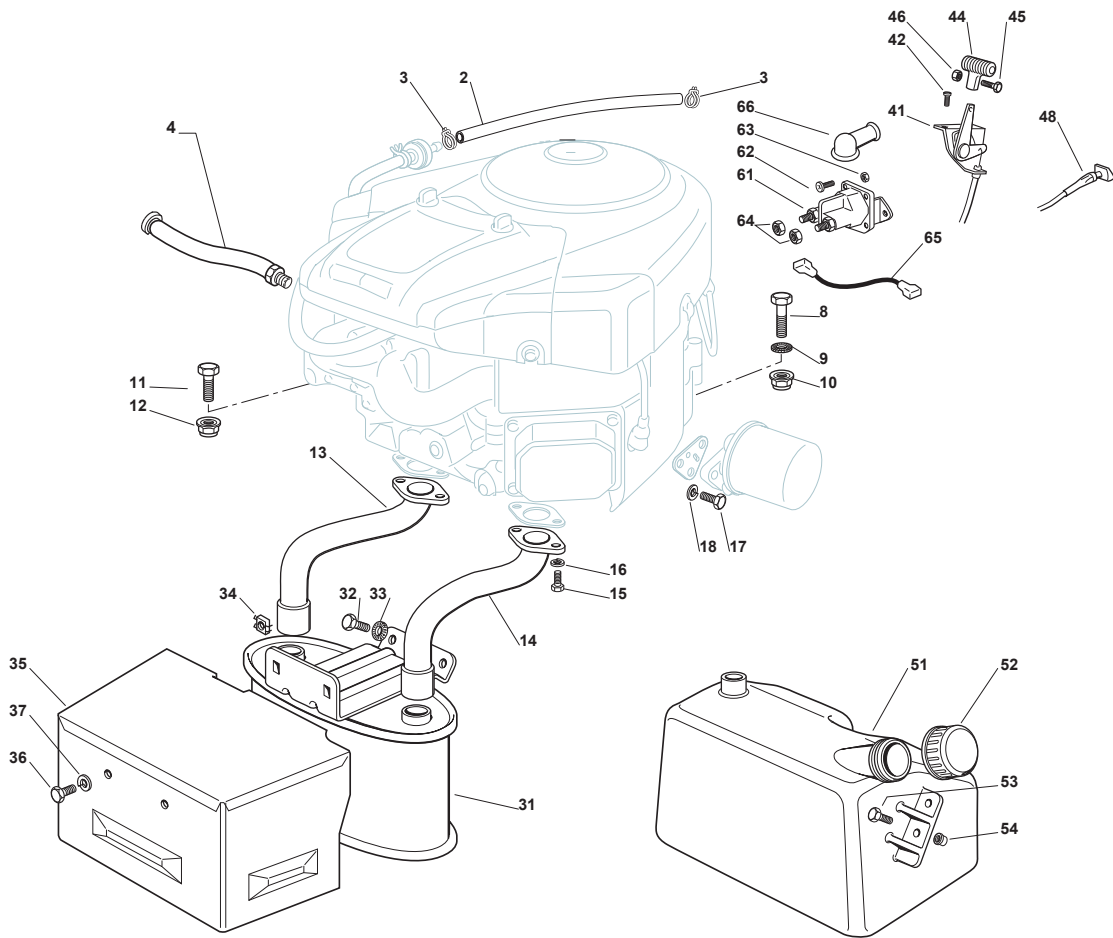


| Fig. | Q.ty | Part No      | Description        | Notes |
|------|------|--------------|--------------------|-------|
| 61   | 1    | 118736113/0  | Starter Relay      |       |
| 2    | 1    | 325869016/1  | Connecting Tube    |       |
| 3    | 2    | 118375051/1  | Fair Led           |       |
| 4    | 1    | 118738224/0  | Exhaust Conn. Tube |       |
| 5    | 2    | 112583500/0  | Grower             |       |
| 6    | 2    | 112735530/0  | Screw              |       |
| 7    | 1    | 112691115/0  | Screw              |       |
| 8    | 1    | 112540260/0  | Grower             |       |
| 9    | 1    | 112154210/0  | Nut                |       |
| 12   | 1    | 1134-5827-01 | Oil Drain Assy     |       |
| 14   | 2    | 112793102/0  | Screw              |       |
| 15   | 2    | 112540260/0  | Grower             |       |
| 16   | 1    | 182750010/0  | Muffler            |       |
| 17   | 2    | 112360425/0  | Nut                |       |
| 18   | 1    | 382598009/2  | Muffler Protection |       |
| 19   | 2    | 112792611/0  | Screw              |       |
| 20   | 2    | 112583500/0  | Grower             |       |
| 24   | 3    | 112154210/0  | Nut                |       |
| 25   | 3    | 112691100/0  | Screw              |       |
| 41   | 1    | 182000200/1  | Throttle Cable     |       |
| 42   | 2    | 125943012/0  | Screw              |       |
| 44   | 1    | 325592000/0  | Knob               |       |
| 45   | 1    | 112726388/0  | Screw              |       |
| 46   | 1    | 112290800/0  | Nut                |       |
| 51   | 1    | 125735110/3  | Tank               |       |
| 52   | 1    | 125795000/1  | Fuel Cap           |       |
| 53   | 2    | 112788910/0  | Screw              |       |
| 54   | 2    | 112500092/0  | Rivet              |       |
| 62   | 2    | 112791011/0  | Screw              |       |
| 63   | 2    | 112292102/0  | Nut                |       |
| 64   | 2    | 112360352/0  | Nut                |       |
| 65   | 1    | 125065017/0  | Cable              |       |
| 66   | 1    | 118564861/1  | Protection         |       |

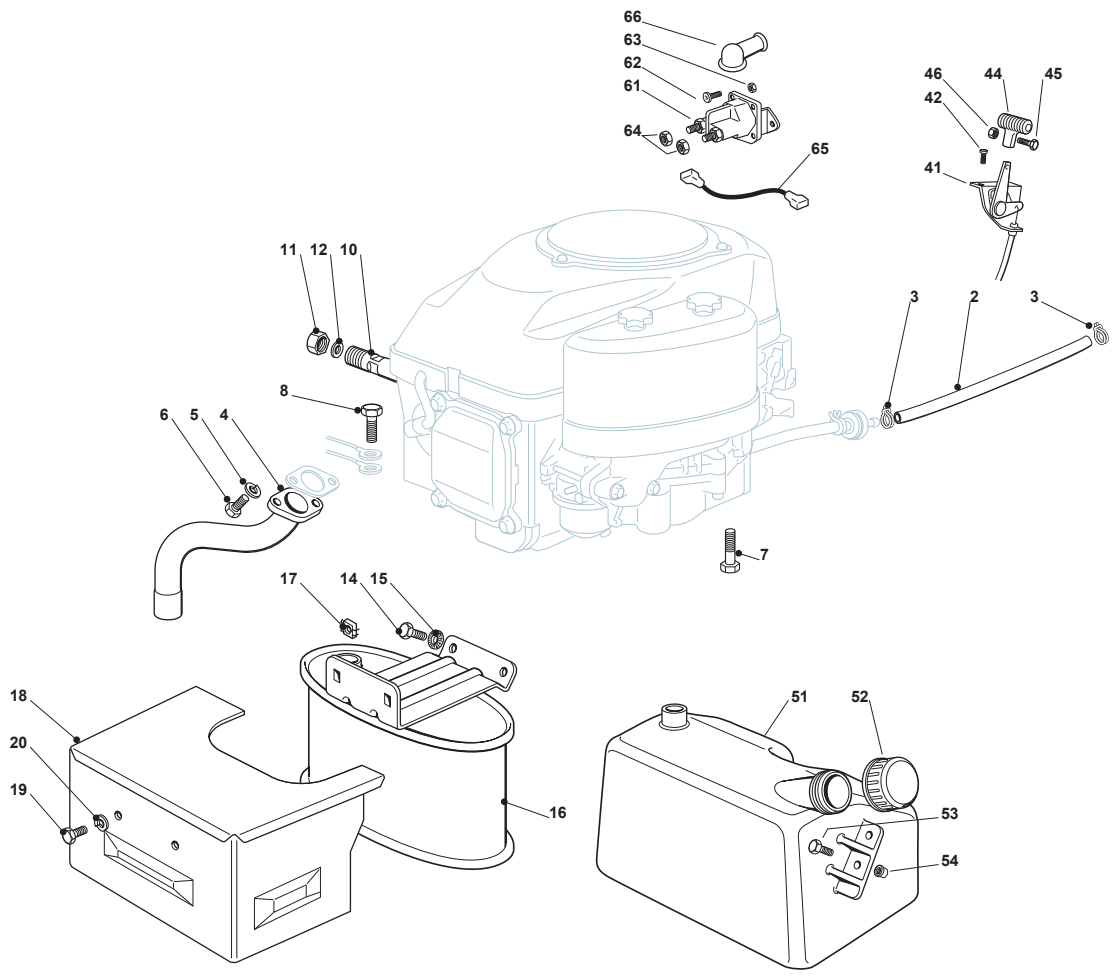




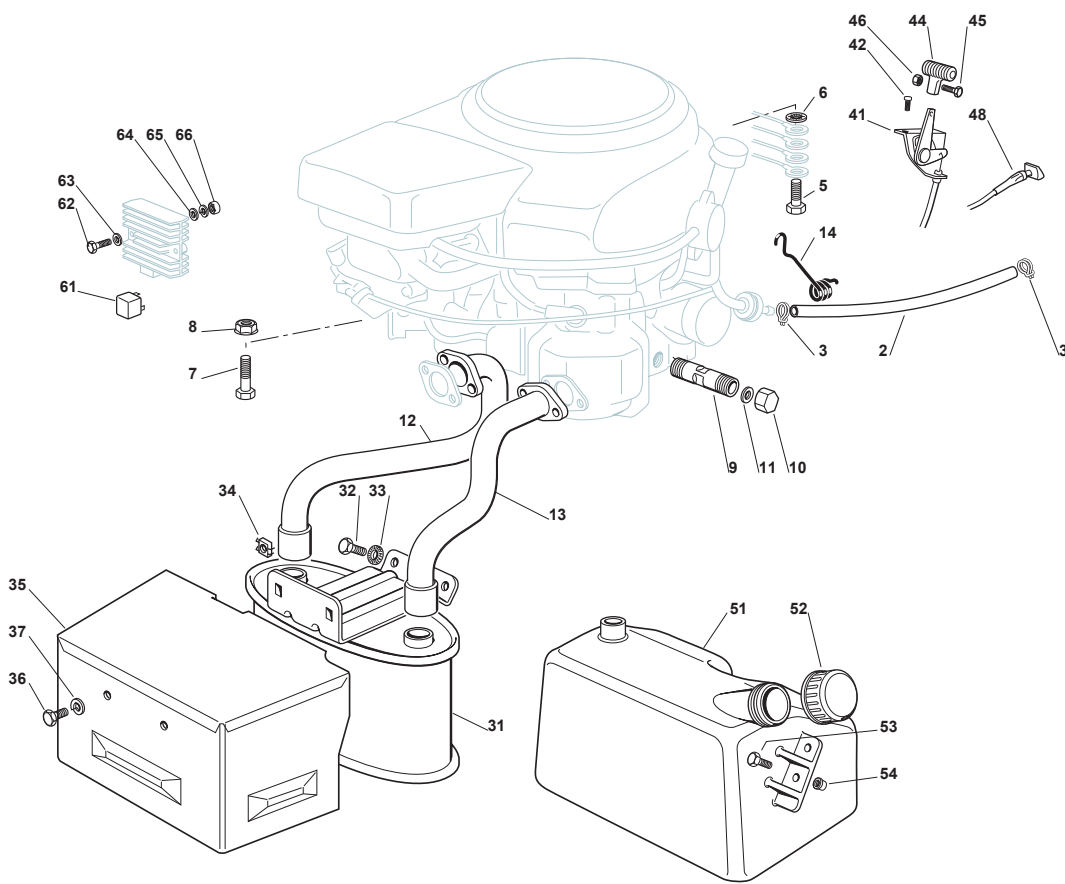
| Fig. | Q.ty | Part No      | Description            | Notes |
|------|------|--------------|------------------------|-------|
| 61   | 1    | 118736113/0  | Starter Relay          |       |
| 2    | 1    | 325869016/1  | Connecting Tube        |       |
| 3    | 2    | 118375051/1  | Fair Led               |       |
| 6    | 1    | 1134-5827-01 | Oil Drain Assy         |       |
| 8    | 3    | 112691100/0  | Screw                  |       |
| 9    | 1    | 112540260/0  | Grower                 |       |
| 10   | 1    | 112154210/0  | Nut                    |       |
| 11   | 3    | 112154210/0  | Nut                    |       |
| 12   | 1    | 118738206/0  | Exhaust Discharge Tube |       |
| 13   | 2    | 112583500/0  | Grower                 |       |
| 14   | 2    | 112735530/0  | Screw                  |       |
| 15   | 1    | 112691115/0  | Screw                  |       |
| 31   | 1    | 182750010/0  | Muffler                |       |
| 32   | 2    | 112793102/0  | Screw                  |       |
| 33   | 2    | 112540260/0  | Grower                 |       |
| 34   | 2    | 112360425/0  | Nut                    |       |
| 35   | 1    | 382598009/2  | Muffler Protection     |       |
| 36   | 2    | 112792611/0  | Screw                  |       |
| 37   | 2    | 112583500/0  | Grower                 |       |
| 41   | 1    | 182000200/1  | Throttle Cable         |       |
| 42   | 2    | 125943012/0  | Screw                  |       |
| 44   | 1    | 325592000/0  | Knob                   |       |
| 45   | 1    | 112726388/0  | Screw                  |       |
| 46   | 1    | 112290800/0  | Nut                    |       |
| 51   | 1    | 125735110/3  | Tank                   |       |
| 51   | 1    | 325735111/3  | Tank                   |       |
| 52   | 1    | 125795000/1  | Fuel Cap               |       |
| 53   | 2    | 112788910/0  | Screw                  |       |
| 54   | 2    | 112500092/0  | Rivet                  |       |
| 62   | 2    | 112791011/0  | Screw                  |       |
| 63   | 2    | 112292102/0  | Nut                    |       |
| 64   | 2    | 112360352/0  | Nut                    |       |
| 65   | 1    | 125065017/0  | Cable                  |       |
| 66   | 1    | 118564861/1  | Protection             |       |



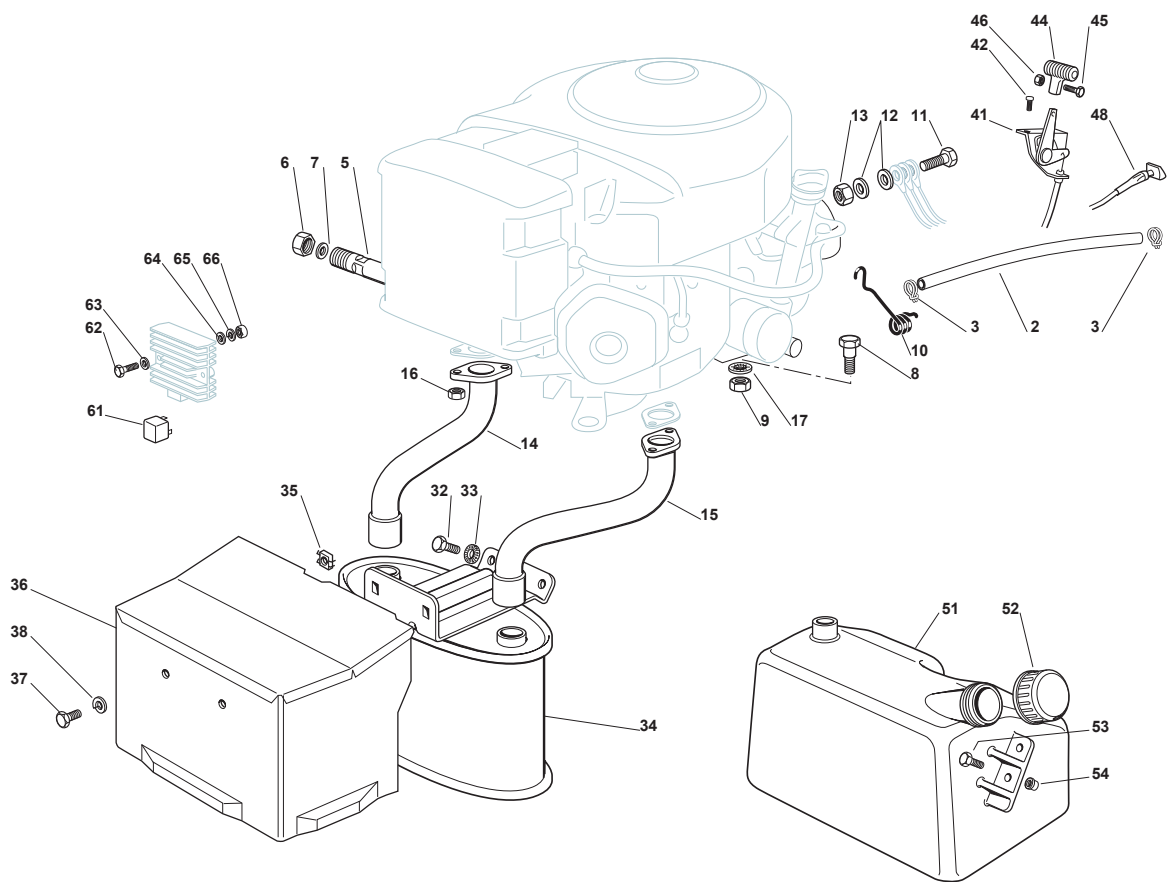
| Fig. | Q.ty | Part No      | Description                  | Notes |
|------|------|--------------|------------------------------|-------|
| 61   | 1    | 118736113/0  | Starter Relay                |       |
| 2    | 1    | 325869016/1  | Connecting Tube              |       |
| 3    | 2    | 118375051/1  | Fair Led                     |       |
| 4    | 1    | 1134-5827-01 | Oil Drain Assy               |       |
| 8    | 1    | 112691115/0  | Screw                        |       |
| 9    | 1    | 112540260/0  | Grower                       |       |
| 10   | 1    | 112154210/0  | Nut                          |       |
| 11   | 3    | 112691100/0  | Screw                        |       |
| 12   | 3    | 112154210/0  | Nut                          |       |
| 13   | 1    | 118738214/0  | Exhaust Discharge Tube Right |       |
| 14   | 1    | 118738215/0  | Exhaust Discharge Tube Left  |       |
| 15   | 4    | 112735530/0  | Screw                        |       |
| 16   | 4    | 112583500/0  | Grower                       |       |
| 17   | 3    | 112791400/0  | Screw                        |       |
| 18   | 3    | 112582100/0  | Grower                       |       |
| 31   | 1    | 182750011/0  | Single-Cylinder Muffler      |       |
| 32   | 2    | 112793102/0  | Screw                        |       |
| 33   | 2    | 112540260/0  | Grower                       |       |
| 34   | 2    | 112360425/0  | Nut                          |       |
| 35   | 1    | 382598005/2  | Muffler Protection           |       |
| 36   | 2    | 112792611/0  | Screw                        |       |
| 37   | 2    | 112583500/0  | Grower                       |       |
| 41   | 1    | 182000211/1  | Accelerator                  |       |
| 42   | 2    | 125943012/0  | Screw                        |       |
| 44   | 1    | 325592000/0  | Knob                         |       |
| 45   | 1    | 112726388/0  | Screw                        |       |
| 46   | 1    | 112290800/0  | Nut                          |       |
| 48   | 1    | 125090001/2  | Choke Control                |       |
| 51   | 1    | 325735111/3  | Tank                         |       |
| 52   | 1    | 125795000/1  | Fuel Cap                     |       |
| 53   | 2    | 112788910/0  | Screw                        |       |
| 54   | 2    | 112500092/0  | Rivet                        |       |
| 62   | 2    | 112791011/0  | Screw                        |       |
| 63   | 2    | 112292102/0  | Nut                          |       |
| 64   | 2    | 112360352/0  | Nut                          |       |
| 65   | 1    | 125065017/0  | Cable                        |       |
| 66   | 1    | 118564861/1  | Protection                   |       |



| Fig. | Q.ty | Part No     | Description                 | Notes                  |
|------|------|-------------|-----------------------------|------------------------|
| 2    | 1    | 325869057/0 | Fuel Tube   Connecting Tube |                        |
| 3    | 4    | 118375051/1 | Fair Led                    |                        |
| 4    | 1    | 118738231/1 | Exhaust Tube                |                        |
| 5    | 2    | 112583500/0 | Grower                      |                        |
| 6    | 2    | 112737450/0 | Screw                       |                        |
| 7    | 4    | 112735108/1 | Screw                       |                        |
| 8    | 1    | 112735599/0 | Screw                       |                        |
| 10   | 1    | 127598060/0 | Oil Discharge Extension     |                        |
| 11   | 1    | 118737849/0 | Plug                        |                        |
| 12   | 1    | 118401001/1 | Oil Seal                    |                        |
| 14   | 2    | 112793102/0 | Screw                       |                        |
| 15   | 2    | 112540260/0 | Grower                      |                        |
| 16   | 1    | 182750010/0 | Muffler                     |                        |
| 17   | 2    | 112360425/0 | Nut                         |                        |
| 18   | 1    | 382598039/0 | Guard                       |                        |
| 19   | 2    | 112792611/0 | Screw                       |                        |
| 20   | 2    | 112583500/0 | Grower                      |                        |
| 41   | 1    | 182000212/0 | Accelerator                 |                        |
| 42   | 2    | 125943012/0 | Screw                       |                        |
| 44   | 1    | 125394501/0 | Knob                        |                        |
| 45   | 1    | 112726388/0 | Screw                       |                        |
| 46   | 1    | 112290800/0 | Nut                         |                        |
| 51   | 1    | 125735110/3 | Tank                        | without Fuel Indicator |
| 51   | 1    | 325735111/3 | Tank                        | with Fuel Indicator    |
| 52   | 1    | 125795000/1 | Fuel Cap                    |                        |
| 53   | 2    | 112788910/0 | Screw                       |                        |
| 54   | 2    | 112500092/0 | Rivet                       |                        |
| 61   | 1    | 118736110/0 | Starter Relay               |                        |
| 62   | 2    | 112791011/0 | Screw                       |                        |
| 63   | 2    | 112292102/0 | Nut                         |                        |
| 64   | 2    | 112360352/0 | Nut                         |                        |
| 65   | 1    | 125065017/0 | Cable                       |                        |
| 66   | 1    | 118564861/1 | Protection                  |                        |

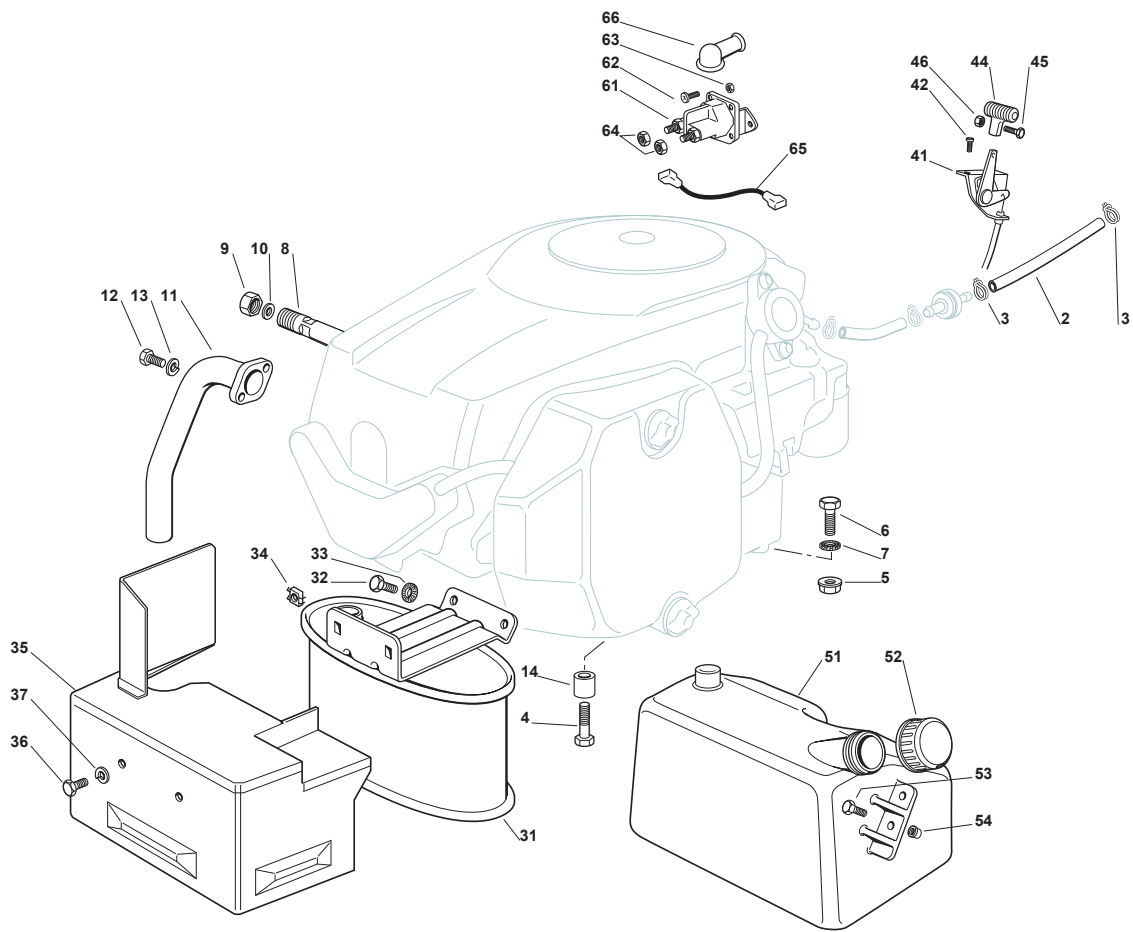


| Fig. | Q.ty | Part No     | Description              | Notes                  |
|------|------|-------------|--------------------------|------------------------|
| 14   | 1    | 127430561/0 | Spring                   |                        |
| 2    | 1    | 325869027/1 | Connecting Tube          |                        |
| 3    | 2    | 118375051/1 | Fair Led                 |                        |
| 5    | 1    | 112735599/0 | Screw                    |                        |
| 6    | 1    | 112540260/0 | Grower                   |                        |
| 7    | 4    | 112691115/0 | Screw                    |                        |
| 8    | 4    | 112154210/0 | Nut                      |                        |
| 9    | 1    | 125598052/0 | Oil Discharge Extension  |                        |
| 10   | 1    | 118737849/0 | Plug                     |                        |
| 11   | 1    | 118401001/1 | Oil Seal                 |                        |
| 12   | 1    | 118738221/0 | Exhaust Tube Right       |                        |
| 13   | 1    | 118738222/0 | Right Exhaust Connection |                        |
| 31   | 1    | 182750003/0 | Muffler Assy             |                        |
| 32   | 2    | 112793102/0 | Screw                    |                        |
| 33   | 2    | 112540260/0 | Grower                   |                        |
| 34   | 2    | 112360425/0 | Nut                      |                        |
| 35   | 1    | 382598005/2 | Muffler Protection       |                        |
| 36   | 2    | 112792611/0 | Screw                    |                        |
| 37   | 2    | 112583500/0 | Grower                   |                        |
| 41   | 1    | 182000201/2 | Accelerator              |                        |
| 42   | 2    | 125943012/0 | Screw                    |                        |
| 44   | 1    | 125394501/0 | Knob                     |                        |
| 45   | 1    | 112726388/0 | Screw                    |                        |
| 46   | 1    | 112290800/0 | Nut                      |                        |
| 48   | 1    | 125090001/2 | Choke Control            |                        |
| 51   | 1    | 125735110/3 | Tank                     | without Fuel Indicator |
| 51   | 1    | 325735111/3 | Tank                     | with Fuel Indicator    |
| 52   | 1    | 125795000/1 | Fuel Cap                 |                        |
| 53   | 2    | 112788910/0 | Screw                    |                        |
| 54   | 2    | 112500092/0 | Rivet                    |                        |
| 61   | 1    | 133567000/0 | Relay                    |                        |
| 62   | 2    | 112791500/0 | Screw                    |                        |
| 63   | 2    | 112521330/0 | Washer                   |                        |
| 64   | 2    | 112521330/0 | Washer                   |                        |
| 65   | 2    | 112582100/0 | Grower                   |                        |
| 66   | 2    | 112292100/0 | Nut                      |                        |

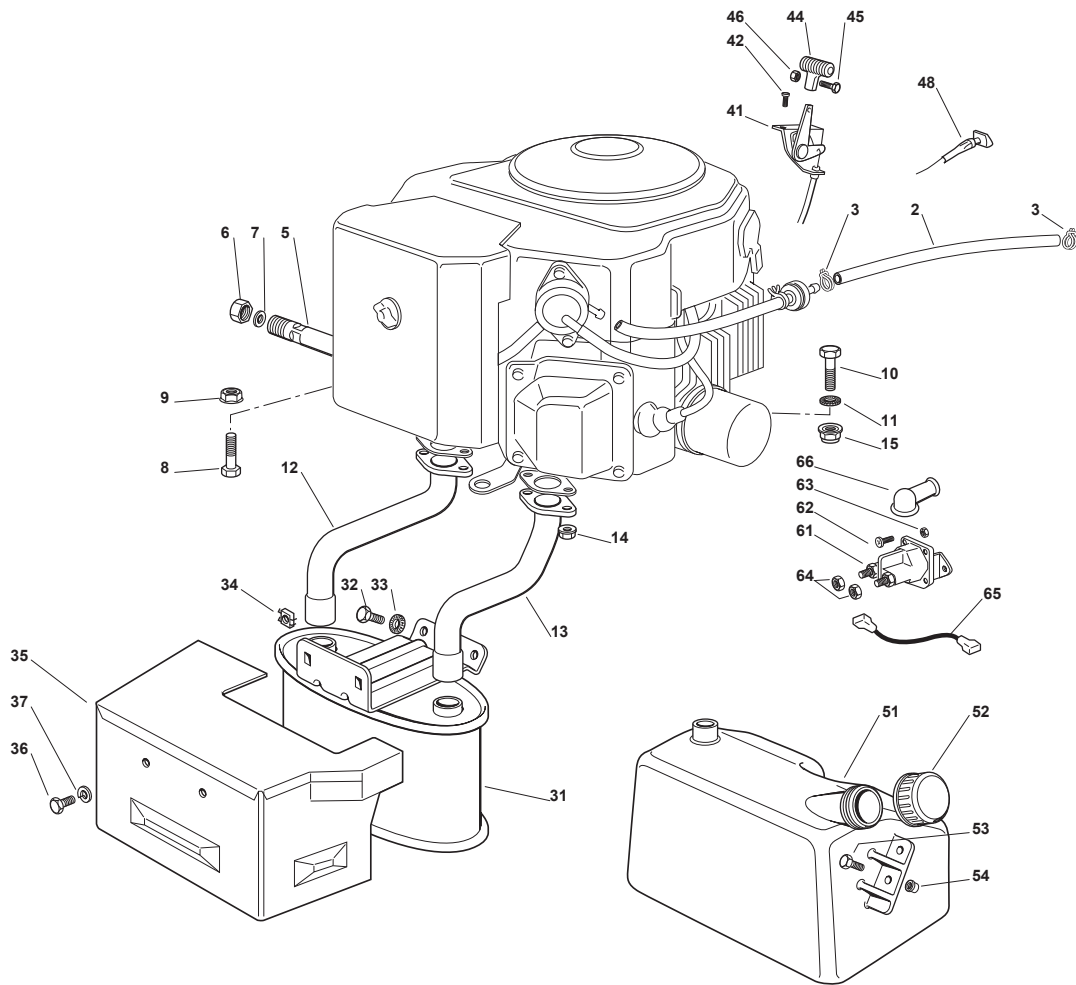




| Fig. | Q.ty | Part No     | Description                  | Notes                  |
|------|------|-------------|------------------------------|------------------------|
| 2    | 1    | 325869033/1 | Fuel Tube                    |                        |
| 3    | 2    | 118375051/1 | Fair Led                     |                        |
| 5    | 1    | 127598061/1 | Oil Discharge Extension      |                        |
| 6    | 1    | 118737849/0 | Plug                         |                        |
| 7    | 1    | 118401001/1 | Oil Seal                     |                        |
| 8    | 4    | 125510028/1 | Pin                          |                        |
| 9    | 4    | 112154210/0 | Nut                          |                        |
| 10   | 1    | 127430561/0 | Spring                       |                        |
| 11   | 1    | 112691115/0 | Screw                        |                        |
| 12   | 2    | 112521350/0 | Washer                       |                        |
| 13   | 1    | 112293201/0 | Nut                          |                        |
| 14   | 1    | 118738243/0 | Exhaust Discharge Tube Right |                        |
| 15   | 1    | 118738244/0 | Exhaust Discharge Tube Left  |                        |
| 16   | 4    | 112293201/0 | Nut                          |                        |
| 17   | 1    | 112540260/0 | Grower                       |                        |
| 32   | 2    | 112793102/0 | Screw                        |                        |
| 33   | 2    | 112540260/0 | Grower                       |                        |
| 34   | 1    | 182750003/0 | Muffler Assy                 |                        |
| 35   | 2    | 112360425/0 | Nut                          |                        |
| 36   | 1    | 382598051/0 | Guard                        |                        |
| 37   | 2    | 112792611/0 | Screw                        |                        |
| 38   | 2    | 112583500/0 | Grower                       |                        |
| 41   | 1    | 182000219/0 | Accelerator                  |                        |
| 42   | 2    | 125943012/0 | Screw                        |                        |
| 44   | 1    | 125394501/0 | Knob                         |                        |
| 45   | 1    | 112726388/0 | Screw                        |                        |
| 46   | 1    | 112290800/0 | Nut                          |                        |
| 48   | 1    | 125090007/0 | Choke Control                |                        |
| 51   | 1    | 125735110/3 | Tank                         | without Fuel Indicator |
| 51   | 1    | 325735111/3 | Tank                         | with Fuel Indicator    |
| 52   | 1    | 125795000/1 | Fuel Cap                     |                        |
| 53   | 2    | 112788910/0 | Screw                        |                        |
| 54   | 2    | 112500092/0 | Rivet                        |                        |
| 61   | 1    | 133567000/0 | Relay                        |                        |
| 62   | 2    | 112791500/0 | Screw                        |                        |
| 63   | 2    | 112521330/0 | Washer                       |                        |
| 64   | 2    | 112521330/0 | Washer                       |                        |
| 65   | 2    | 112582100/0 | Grower                       |                        |
| 66   | 2    | 112292100/0 | Nut                          |                        |



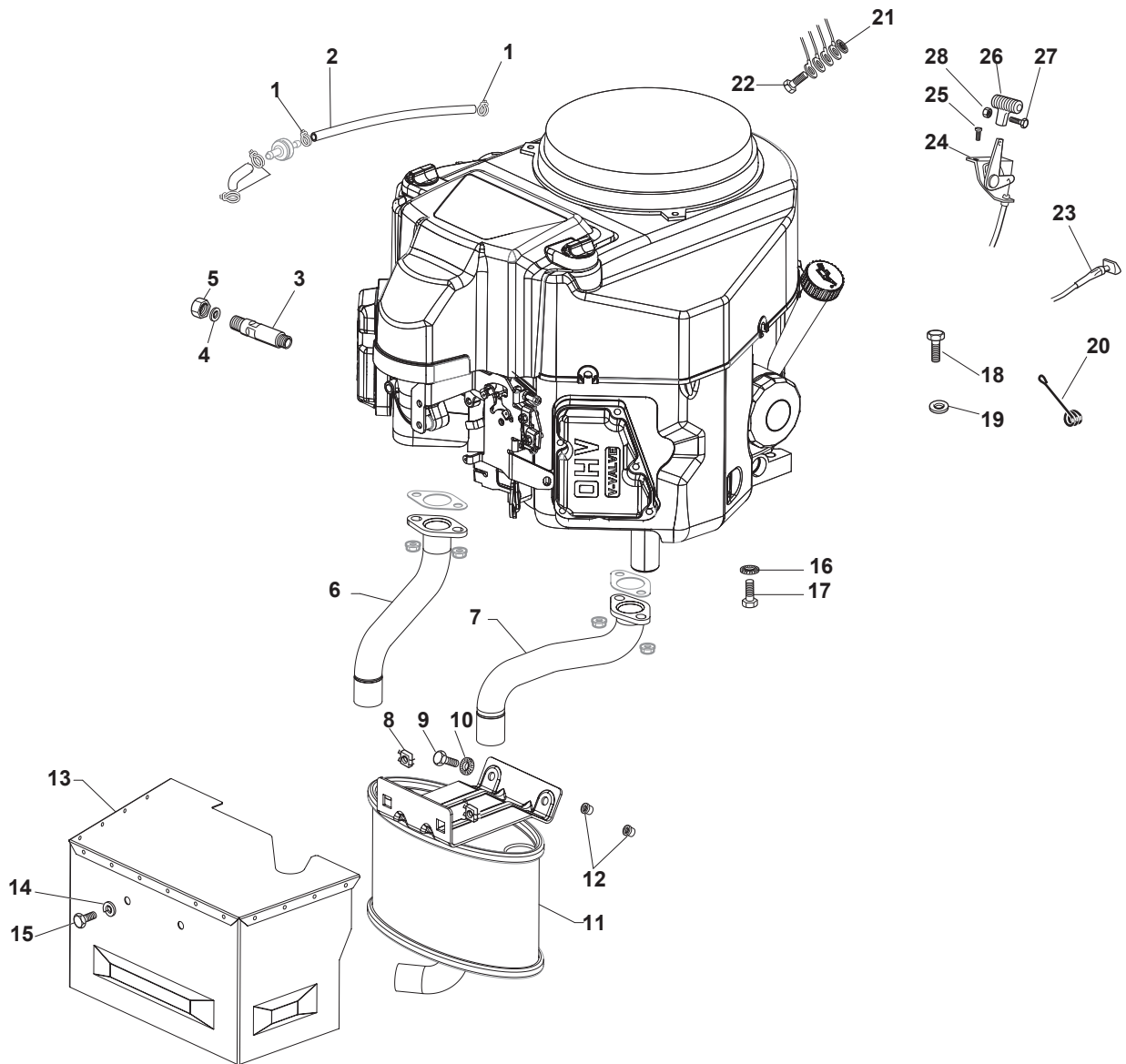
| Fig. | Q.ty | Part No     | Description               | Notes                  |
|------|------|-------------|---------------------------|------------------------|
| 61   | 1    | 118736113/0 | Starter Relay             |                        |
| 2    | 1    | 325869016/1 | Connecting Tube           |                        |
| 3    | 2    | 118375051/1 | Fair Led                  |                        |
| 4    | 3    | 112735108/1 | Screw                     |                        |
| 5    | 1    | 112154210/0 | Nut                       |                        |
| 6    | 1    | 112691115/0 | Screw                     |                        |
| 7    | 1    | 112540260/0 | Grower                    |                        |
| 8    | 1    | 127598060/0 | Oil Discharge Extension   |                        |
| 9    | 1    | 118737849/0 | Plug                      |                        |
| 10   | 1    | 118401001/1 | Oil Seal                  |                        |
| 11   | 1    | 118738227/0 | Exhaust Pipe Kohler 16-18 |                        |
| 12   | 2    | 112735530/0 | Screw                     |                        |
| 13   | 2    | 112583500/0 | Grower                    |                        |
| 14   | 3    | 125160035/0 | Spacer                    |                        |
| 31   | 1    | 182750010/0 | Muffler                   |                        |
| 32   | 2    | 112793102/0 | Screw                     |                        |
| 33   | 2    | 112540260/0 | Grower                    |                        |
| 34   | 2    | 112360425/0 | Nut                       |                        |
| 35   | 1    | 382598029/0 | Muffler Protection        |                        |
| 36   | 2    | 112792611/0 | Screw                     |                        |
| 37   | 2    | 112583500/0 | Grower                    |                        |
| 41   | 1    | 182000200/1 | Throttle Cable            |                        |
| 42   | 2    | 125943012/0 | Screw                     |                        |
| 44   | 1    | 125394501/0 | Knob                      |                        |
| 45   | 1    | 112726388/0 | Screw                     |                        |
| 46   | 1    | 112290800/0 | Nut                       |                        |
| 51   | 1    | 125735110/3 | Tank                      | without Fuel Indicator |
| 51   | 1    | 325735111/3 | Tank                      | with Fuel Indicator    |
| 52   | 1    | 125795000/1 | Fuel Cap                  |                        |
| 53   | 2    | 112788910/0 | Screw                     |                        |
| 54   | 2    | 112500092/0 | Rivet                     |                        |
| 62   | 2    | 112791011/0 | Screw                     |                        |
| 63   | 2    | 112292102/0 | Nut                       |                        |
| 64   | 2    | 112360352/0 | Nut                       |                        |
| 65   | 1    | 125065017/0 | Cable                     |                        |
| 66   | 1    | 118564861/1 | Protection                |                        |



| Fig. | Q.ty | Part No     | Description                    | Notes                  |
|------|------|-------------|--------------------------------|------------------------|
| 61   | 1    | 118736113/0 | Starter Relay                  |                        |
| 2    | 1    | 325869016/1 | Connecting Tube                |                        |
| 3    | 2    | 118375051/1 | Fair Led                       |                        |
| 5    | 1    | 125598050/0 | Oil Discharge Extension        |                        |
| 6    | 1    | 118737849/0 | Plug                           |                        |
| 7    | 1    | 118401001/1 | Oil Seal                       |                        |
| 8    | 3    | 112691100/0 | Screw                          |                        |
| 8    | 3    | 112735108/0 | Screw                          |                        |
| 9    | 3    | 112154210/0 | Nut                            |                        |
| 10   | 1    | 112691115/0 | Screw                          |                        |
| 11   | 1    | 112540260/0 | Grower                         |                        |
| 12   | 1    | 118738207/1 | Right Exhaust Pipe Kohler 22Hp |                        |
| 13   | 1    | 118738208/1 | Exhaust Tube Left              |                        |
| 14   | 4    | 112293201/0 | Nut                            |                        |
| 15   | 1    | 112154210/0 | Nut                            |                        |
| 31   | 1    | 182750003/0 | Muffler Assy                   |                        |
| 32   | 2    | 112793102/0 | Screw                          |                        |
| 33   | 2    | 112540260/0 | Grower                         |                        |
| 34   | 2    | 112360425/0 | Nut                            |                        |
| 35   | 1    | 382598013/1 | Guard                          |                        |
| 36   | 2    | 112792611/0 | Screw                          |                        |
| 37   | 2    | 112583500/0 | Grower                         |                        |
| 41   | 1    | 182000204/1 | Throttle Cable                 |                        |
| 42   | 2    | 125943012/0 | Screw                          |                        |
| 44   | 1    | 125394501/0 | Knob                           |                        |
| 45   | 1    | 112726388/0 | Screw                          |                        |
| 46   | 1    | 112290800/0 | Nut                            |                        |
| 48   | 1    | 125090004/0 | Choke Control                  |                        |
| 51   | 1    | 125735110/3 | Tank                           | without Fuel Indicator |
| 51   | 1    | 325735111/3 | Tank                           | with Fuel Indicator    |
| 52   | 1    | 125795000/1 | Fuel Cap                       |                        |
| 53   | 2    | 112788910/0 | Screw                          |                        |
| 54   | 2    | 112500092/0 | Rivet                          |                        |
| 62   | 2    | 112791011/0 | Screw                          |                        |
| 63   | 2    | 112292102/0 | Nut                            |                        |
| 64   | 2    | 112360352/0 | Nut                            |                        |
| 65   | 1    | 125065017/0 | Cable                          |                        |
| 66   | 1    | 118564861/1 | Protection                     |                        |

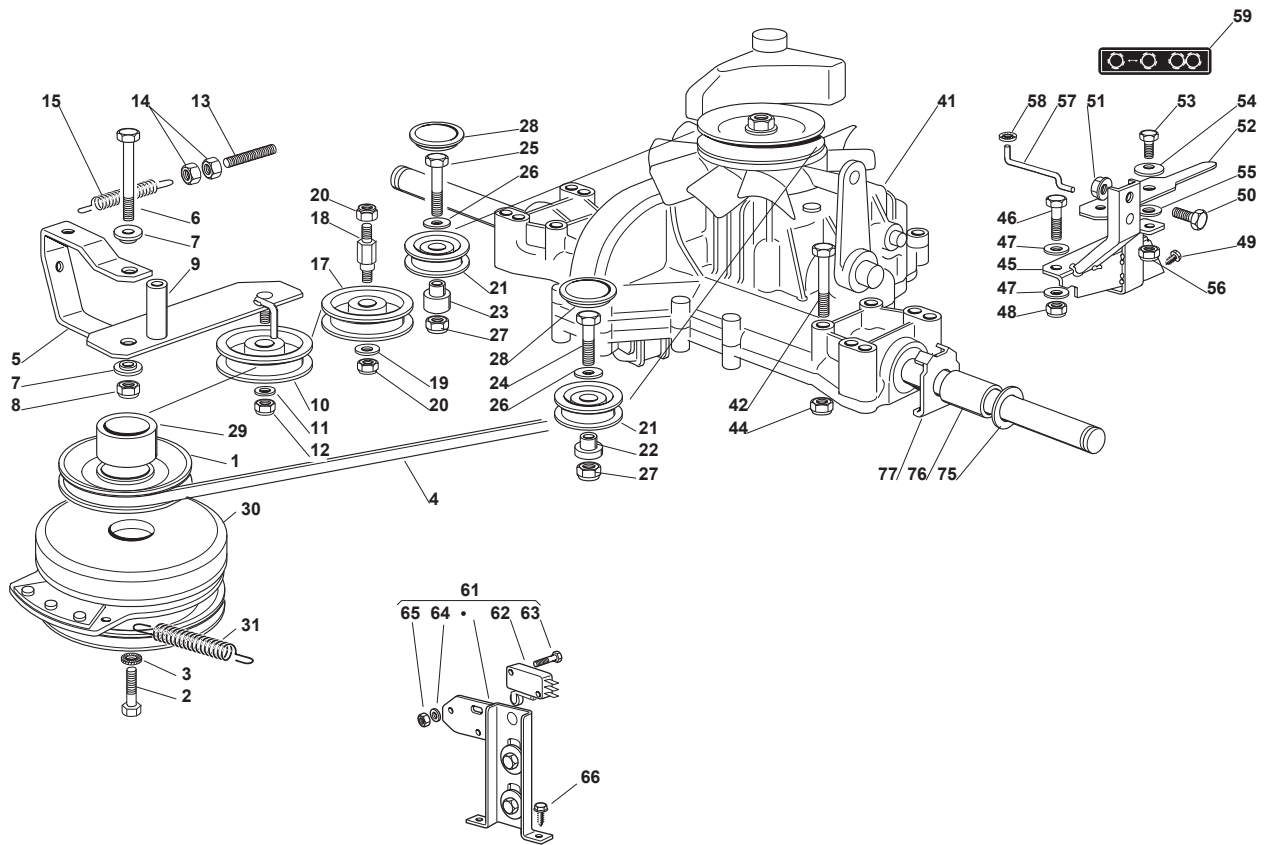


| Fig. | Q.ty | Part No     | Description                 | Notes |
|------|------|-------------|-----------------------------|-------|
| 1    | 2    | 118375051/1 | Fair Led                    |       |
| 2    | 1    | 325869057/0 | Fuel Tube   Connecting Tube |       |
| 3    | 1    | 127598060/0 | Oil Discharge Extension     |       |
| 4    | 1    | 118401001/1 | Oil Seal                    |       |
| 5    | 1    | 118737849/0 | Plug                        |       |
| 6    | 1    | 118738254/0 | Left Exhaust Connection     |       |
| 7    | 1    | 118738255/0 | Right Exhaust Connection    |       |
| 8    | 3    | 112360425/0 | Nut                         |       |
| 9    | 3    | 112793102/0 | Screw                       |       |
| 10   | 2    | 112540260/0 | Grower                      |       |
| 11   | 1    | 182750014/0 | Muffler                     |       |
| 12   | 2    | 112280100/0 | Nut                         |       |
| 13   | 1    | 382598065/0 | Muffler Protection          |       |
| 14   | 2    | 112792611/0 | Screw                       |       |
| 15   | 2    | 112583500/0 | Grower                      |       |
| 16   | 4    | 112540070/0 | Washer                      |       |
| 17   | 4    | 112735821/0 | Screw                       |       |
| 18   | 1    | 112792611/0 | Screw                       |       |
| 19   | 1    | 112521350/0 | Washer                      |       |
| 20   | 1    | 125430252/0 | Spring                      |       |
| 21   | 3    | 112540260/0 | Grower                      |       |
| 22   | 3    | 112793102/0 | Screw                       |       |
| 23   | 1    | 125090001/2 | Choke Control               |       |
| 24   | 1    | 182000201/2 | Accelerator                 |       |
| 25   | 2    | 125943012/0 | Screw                       |       |
| 26   | 1    | 325592000/0 | Knob                        |       |
| 27   | 1    | 112726388/0 | Screw                       |       |
| 28   | 1    | 112290800/0 | Nut                         |       |

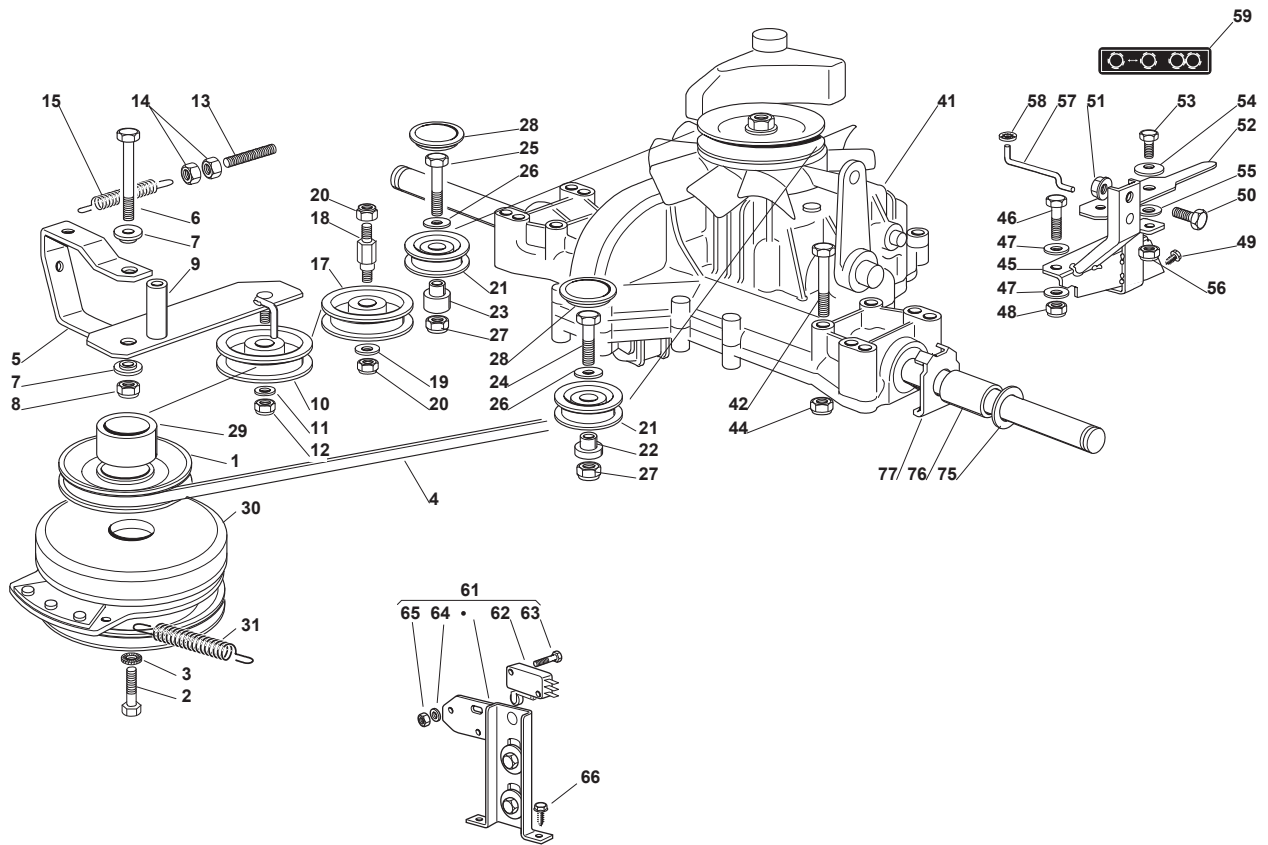




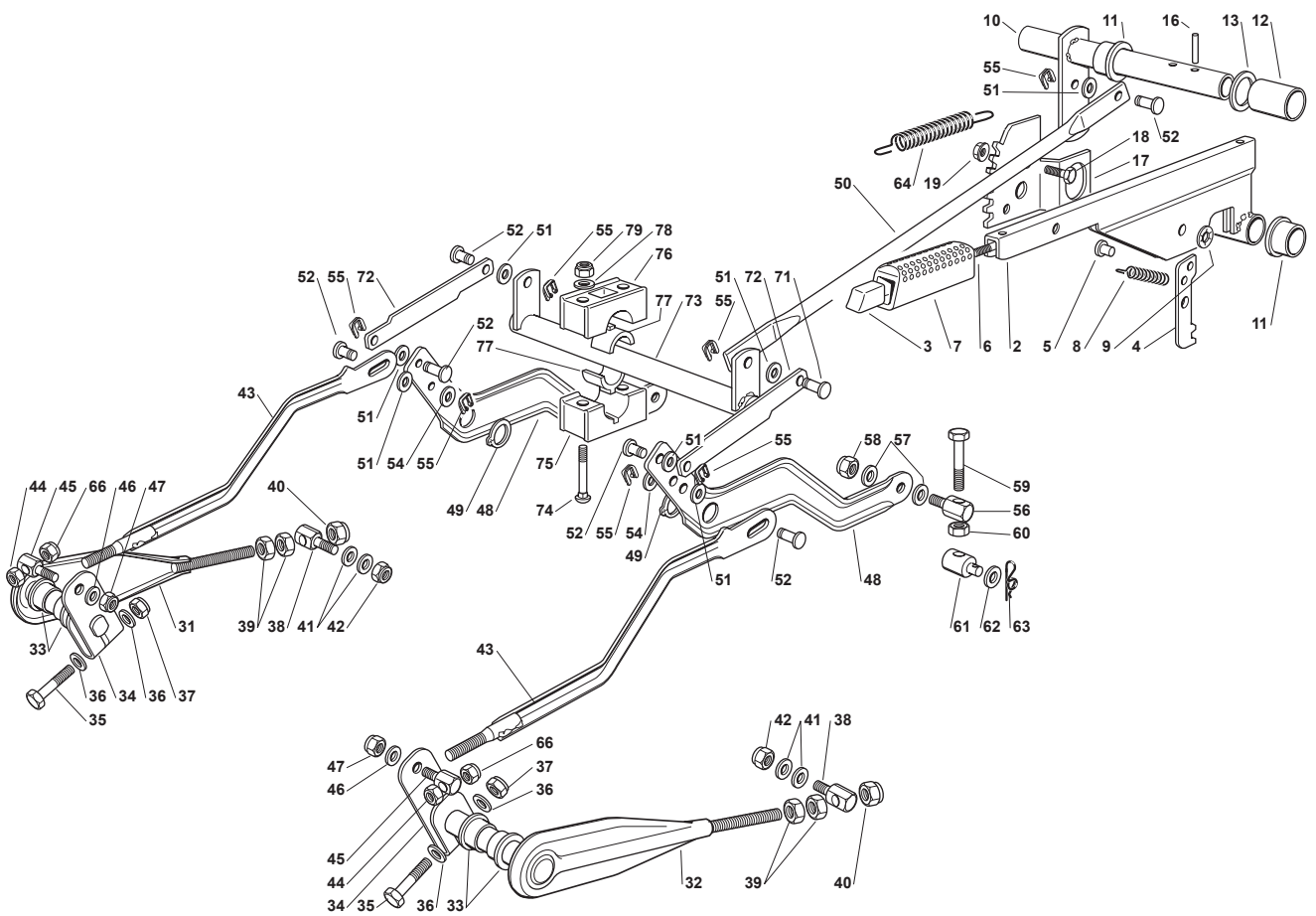
| Fig. | Q.ty | Part No     | Description                 | Notes |
|------|------|-------------|-----------------------------|-------|
| 1    | 2    | 118375051/1 | Fair Led                    |       |
| 2    | 1    | 325869057/0 | Fuel Tube   Connecting Tube |       |
| 3    | 1    | 127598060/0 | Oil Discharge Extension     |       |
| 4    | 1    | 118401001/1 | Oil Seal                    |       |
| 5    | 1    | 118737849/0 | Plug                        |       |
| 6    | 1    | 118738256/0 | Left Exhaust Connection     |       |
| 7    | 1    | 118738257/0 | Right Exhaust Connection    |       |
| 8    | 3    | 112360425/0 | Nut                         |       |
| 9    | 3    | 112793102/0 | Screw                       |       |
| 10   | 2    | 112540260/0 | Grower                      |       |
| 11   | 1    | 182750014/0 | Muffler                     |       |
| 12   | 2    | 112280100/0 | Nut                         |       |
| 13   | 1    | 382598065/0 | Muffler Protection          |       |
| 14   | 2    | 112792611/0 | Screw                       |       |
| 15   | 2    | 112583500/0 | Grower                      |       |
| 16   | 4    | 112540070/0 | Washer                      |       |
| 17   | 4    | 112735821/0 | Screw                       |       |
| 18   | 1    | 112792611/0 | Screw                       |       |
| 19   | 1    | 112521350/0 | Washer                      |       |
| 20   | 1    | 125430252/0 | Spring                      |       |
| 21   | 3    | 112540260/0 | Grower                      |       |
| 22   | 3    | 112793102/0 | Screw                       |       |
| 23   | 1    | 125090001/2 | Choke Control               |       |
| 24   | 1    | 182000201/2 | Accelerator                 |       |
| 25   | 2    | 125943012/0 | Screw                       |       |
| 26   | 1    | 325592000/0 | Knob                        |       |
| 27   | 1    | 112726388/0 | Screw                       |       |
| 28   | 1    | 112290800/0 | Nut                         |       |



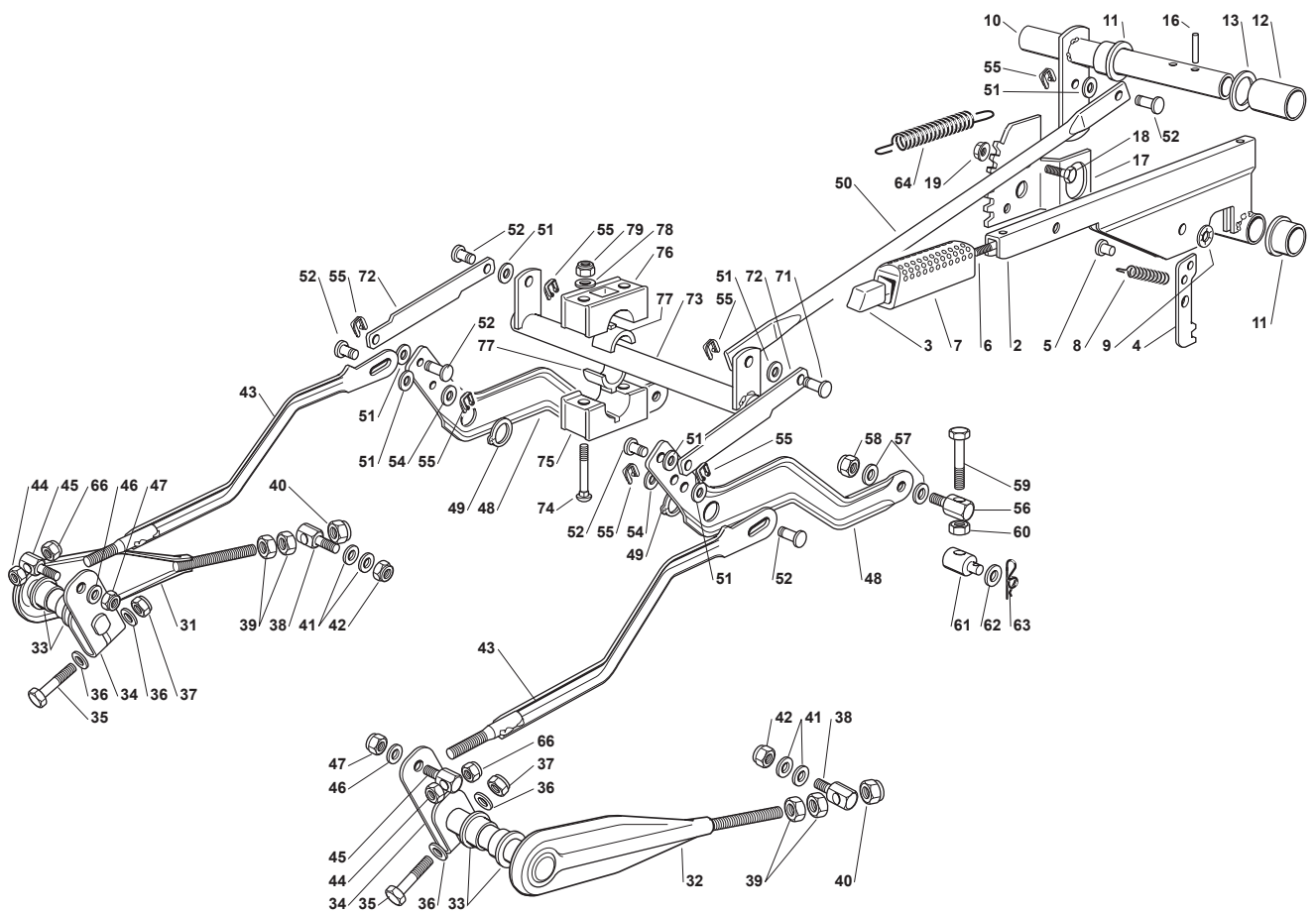
| Fig. | Q.ty | Part No       | Description              | Notes |
|------|------|---------------|--------------------------|-------|
| 1    | 1    | 125601566/1   | Pulley                   |       |
| 2    | 1    | 112737320/0   | Screw                    |       |
| 3    | 1    | 112543000/0   | Washer                   |       |
| 4    | 1    | 135062020/1   | Trapezoidal Belt         |       |
| 5    | 1    | 382318165/1   | Lever                    |       |
| 6    | 1    | 112692000/0   | Screw                    |       |
| 7    | 2    | 125038002/1   | Bushing                  |       |
| 8    | 1    | 112155000/0   | Nut                      |       |
| 9    | 1    | 125160027/0   | Spacer                   |       |
| 10   | 1    | 125601554/0   | Pulley                   |       |
| 11   | 1    | 112523060/0   | Washer                   |       |
| 12   | 1    | 112155000/0   | Nut                      |       |
| 13   | 1    | 125840010/1   | Tie Rod                  |       |
| 14   | 2    | 112293200/0   | Nut                      |       |
| 15   | 1    | 125430219/0   | Spring                   |       |
| 17   | 1    | 325601599/0   | Pulley                   |       |
| 18   | 1    | 125510139/0   | Pin                      |       |
| 19   | 1    | 112523060/0   | Washer                   |       |
| 20   | 2    | 112155000/0   | Nut                      |       |
| 21   | 2    | 325601570/1   | Pulley                   |       |
| 22   | 1    | 125160030/2   | Left Spacer              |       |
| 23   | 1    | 125160024/2   | Right Spacer             |       |
| 24   | 1    | 112691115/0   | Screw                    |       |
| 25   | 1    | 112691400/0   | Screw                    |       |
| 26   | 2    | 112523060/0   | Washer                   |       |
| 27   | 2    | 112155000/0   | Nut                      |       |
| 28   | 2    | 125109521/1   | Cover                    |       |
| 29   | 1    | 125160021/0   | Spacer                   |       |
| 30   | 1    | 118399062/0   | Electromagnetic Clutch   |       |
| 31   | 1    | 125430210/1   | Brake Spring             |       |
| 41   | 1    | 118400950/1   | Rear Axle Tuff Torq K46F |       |
| 42   | 4    | 112691800/0   | Screw                    |       |
| 44   | 4    | 112154210/0   | Nut                      |       |
| 45   | 1    | 382785109/0   | Support                  |       |
| 46   | 1    | 112691200/0   | Screw                    |       |
| 47   | 2    | 112521350/0   | Washer                   |       |
| 48   | 1    | 112155000/0   | Nut                      |       |
| 49   | 2    | 112735120/0   | Screw                    |       |
| 50   | 1    | 112792611/0   | Screw                    |       |
| 51   | 1    | 112293201/0   | Nut                      |       |
| 52   | 1    | 325318157/0   | Lever                    |       |
| 53   | 1    | 112793102/0   | Screw                    |       |
| 54   | 1    | 112369500/0   | Elastic Washer           |       |
| 55   | 1    | 325670011/0   | Antifriction Washer      |       |
| 56   | 1    | 112155000/0   | Nut                      |       |
| 57   | 1    | 125033033/0   | Rod                      |       |
| 58   | 1    | 112604896/0   | Crown Fastener           |       |
| 59   | 1    | 114357423/2   | Label                    |       |
| 61   | 1    | 382394853/0LC | Switch Ass.Y             |       |
| 62   | 1    | 119410609/1LC | Micro Switch             |       |
| 63   | 2    | 112735602/0   | Screw                    |       |



| Fig. | Q.ty | Part No     | Description | Notes |
|------|------|-------------|-------------|-------|
| 64   | 2    | 112581100/0 | Grower      |       |
| 65   | 2    | 112290791/0 | Nut         |       |
| 66   | 2    | 112735110/0 | Screw       |       |
| 67   | 1    | 119410614/0 | Microswitch |       |
| 75   | 4    | 112521410/0 | Washer      |       |
| 76   | 2    | 125160023/0 | Spacer      |       |
| 77   | 2    | 325670025/0 | Washer      |       |

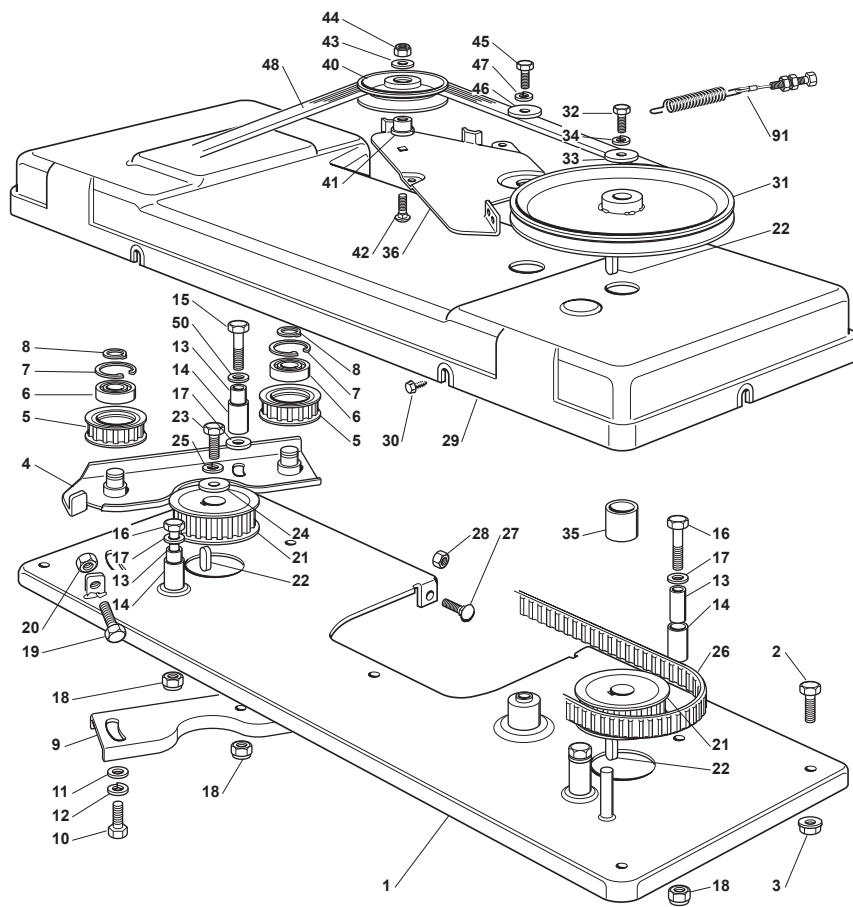


| Fig. | Q.ty | Part No     | Description               | Notes |
|------|------|-------------|---------------------------|-------|
| 2    | 1    | 382318139/0 | Deck Lifting Lever        |       |
| 3    | 1    | 125605000/1 | Button                    |       |
| 4    | 1    | 325470901/0 | Dog                       |       |
| 5    | 1    | 125510011/0 | Pin                       |       |
| 6    | 1    | 125033002/0 | Push Rod                  |       |
| 7    | 1    | 325394536/0 | Knob                      |       |
| 8    | 1    | 125430208/0 | Spring                    |       |
| 9    | 1    | 112604899/0 | Crown Fastener            |       |
| 10   | 1    | 382000551/0 | Axle                      |       |
| 11   | 2    | 122034523/0 | Bushing                   |       |
| 12   | 1    | 125160025/0 | Spacer                    |       |
| 13   | 1    | 322672153/0 | Antifriction Washer       |       |
| 16   | 2    | 112620206/0 | Pin                       |       |
| 17   | 1    | 325735506/1 | Left Sector               |       |
| 18   | 2    | 112792611/0 | Screw                     |       |
| 19   | 2    | 112293201/0 | Nut                       |       |
| 31   | 1    | 382318155/0 | Front Right Fulcrum Lever |       |
| 32   | 1    | 382318157/0 | Left Fulcrum              |       |
| 33   | 4    | 125040605/0 | Bushing                   |       |
| 34   | 2    | 325318161/0 | Lever                     |       |
| 35   | 2    | 112691700/0 | Screw                     |       |
| 36   | 4    | 112521350/0 | Washer                    |       |
| 37   | 2    | 112155000/0 | Nut                       |       |
| 38   | 2    | 125510056/0 | Pin                       |       |
| 39   | 4    | 112295200/0 | Nut                       |       |
| 40   | 2    | 112156602/0 | Nut                       |       |
| 41   | 4    | 325670008/1 | Washer                    |       |
| 42   | 2    | 112156602/0 | Nut                       |       |
| 43   | 2    | 382000477/2 | Connecting Rod Assy       |       |
| 44   | 2    | 112155000/0 | Nut                       |       |
| 45   | 2    | 125510055/1 | Pin                       |       |
| 46   | 2    | 112521350/0 | Washer                    |       |
| 47   | 2    | 112155000/0 | Nut                       |       |
| 48   | 2    | 325318153/1 | Rear Lever                |       |
| 49   | 2    | 112609255/0 | Seeger                    |       |
| 50   | 1    | 325033071/0 | Rod                       |       |
| 51   | 7    | 325670011/0 | Antifriction Washer       |       |
| 52   | 7    | 125510117/0 | Pin                       |       |
| 54   | 2    | 112521350/0 | Washer                    |       |
| 55   | 7    | 112436050/0 | Plate                     |       |
| 56   | 2    | 125510056/0 | Pin                       |       |
| 57   | 4    | 325670008/1 | Washer                    |       |
| 58   | 2    | 112156602/0 | Nut                       |       |
| 59   | 2    | 112794980/0 | Screw                     |       |
| 60   | 2    | 112295200/0 | Nut                       |       |
| 61   | 2    | 125510070/0 | Pin                       |       |
| 62   | 2    | 112523090/0 | Washer                    |       |
| 63   | 2    | 124487998/0 | Cotter Pin                |       |
| 64   | 1    | 125430218/0 | Spring                    |       |
| 66   | 2    | 112293200/0 | Nut                       |       |
| 71   | 1    | 125510048/1 | Pin                       |       |

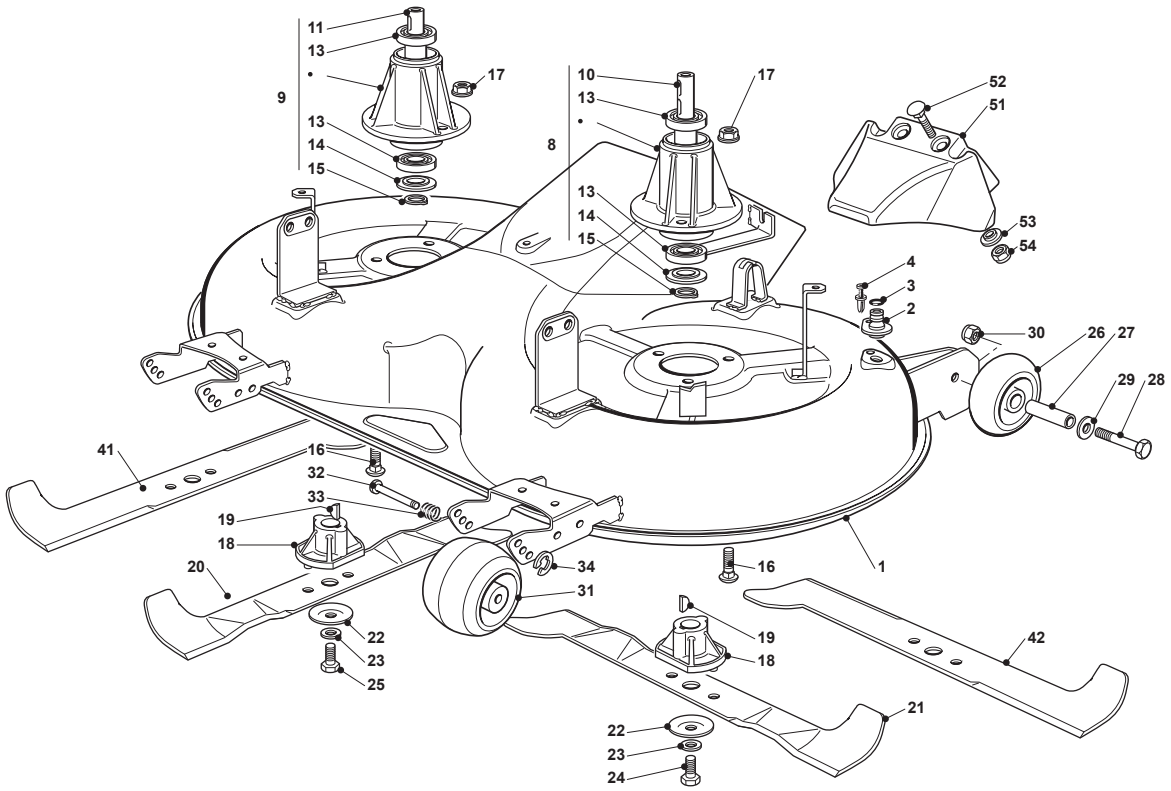




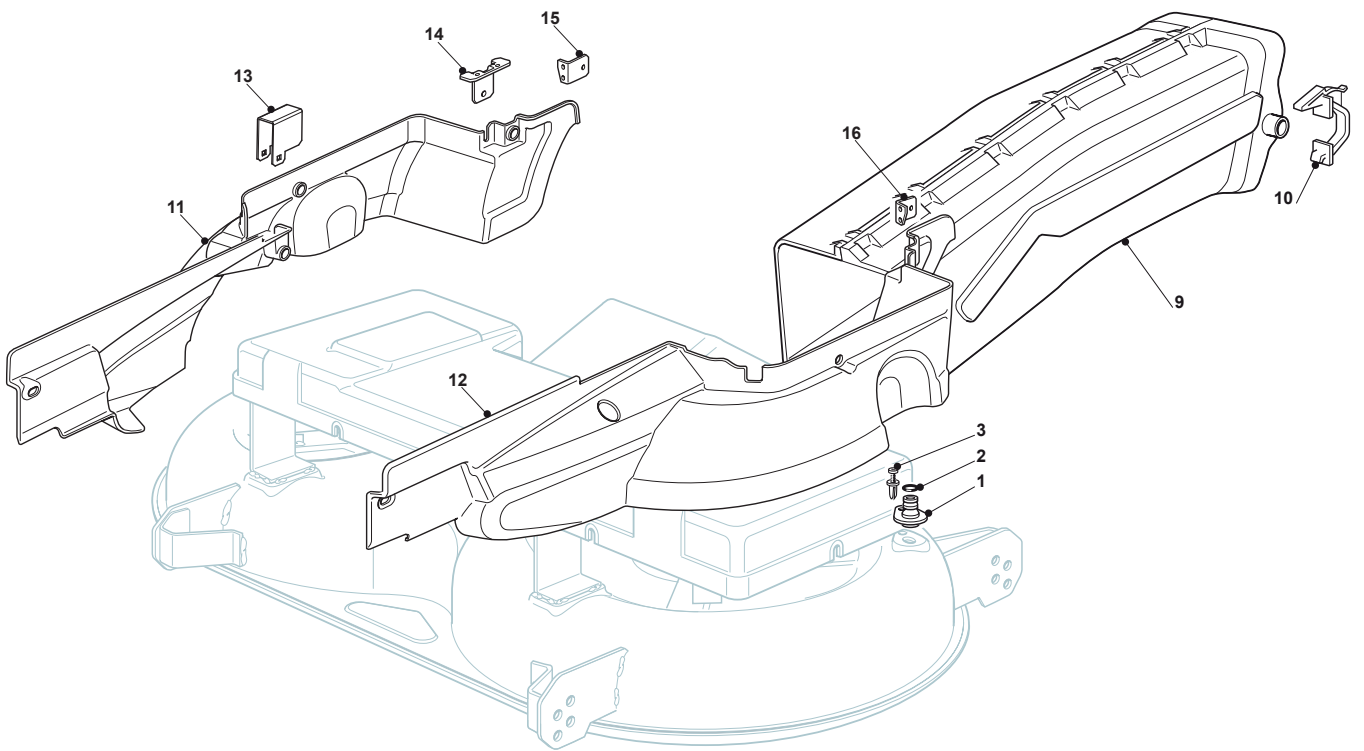
| Fig. | Q.ty | Part No     | Description | Notes |
|------|------|-------------|-------------|-------|
| 72   | 2    | 325318223/0 | Gearshift   |       |
| 73   | 1    | 382000585/0 | Axle        |       |
| 74   | 4    | 112815271/0 | Screw       |       |
| 75   | 2    | 325785355/0 | Support     |       |
| 76   | 2    | 325785354/0 | Support     |       |
| 77   | 4    | 325034003/0 | Brass       |       |
| 78   | 4    | 112523040/0 | Washer      |       |
| 79   | 4    | 112154510/0 | Nut         |       |



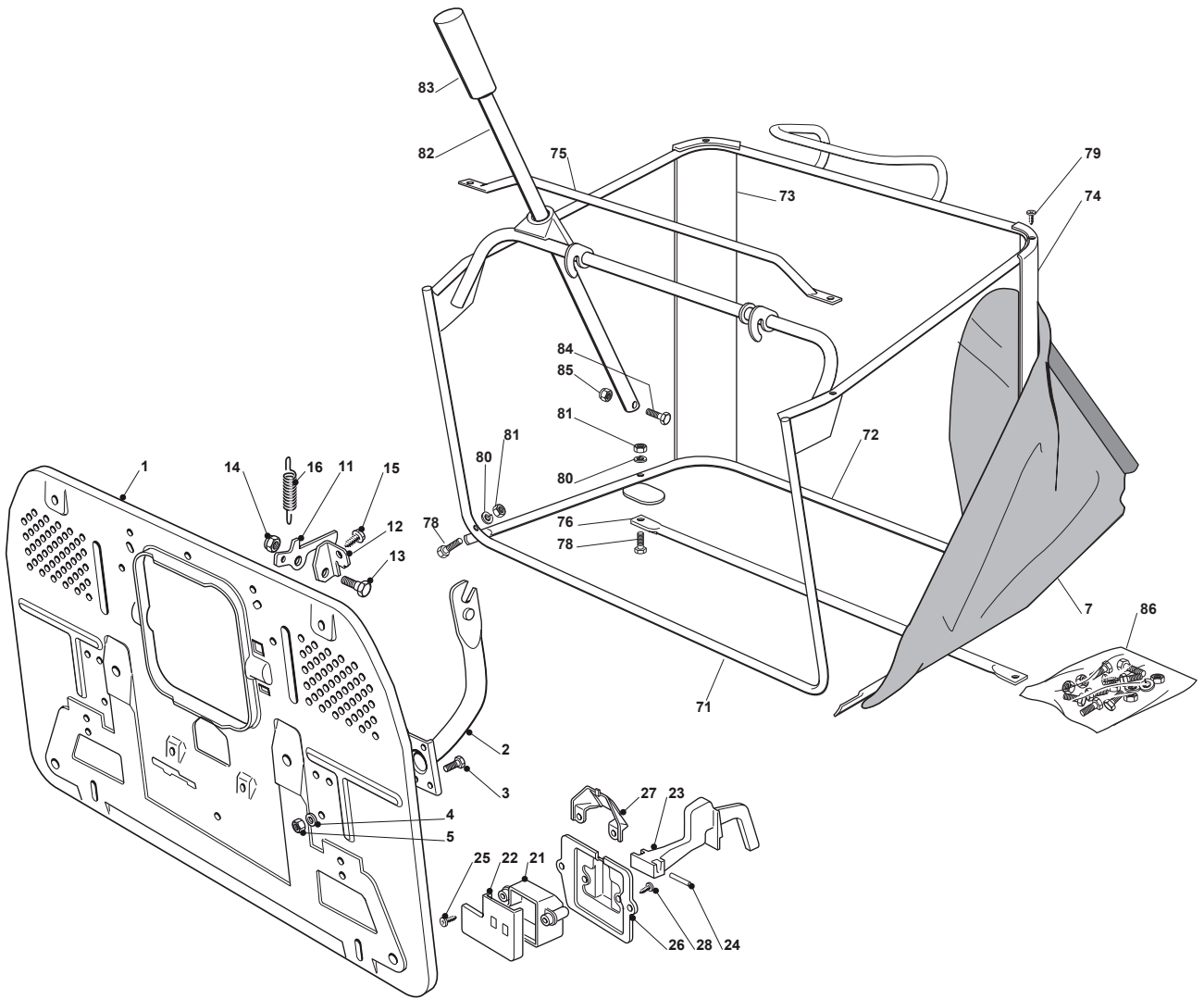
| Fig. | Q.ty | Part No     | Description       | Notes |
|------|------|-------------|-------------------|-------|
| 1    | 1    | 382547029/3 | Plate             |       |
| 13   | 4    | 125160003/2 | Spacer            |       |
| 50   | 1    | 122671651/0 | Washer            |       |
| 2    | 4    | 112792611/0 | Screw             |       |
| 3    | 4    | 112293201/0 | Nut               |       |
| 4    | 1    | 382785084/1 | Support           |       |
| 5    | 2    | 125601559/1 | Toothed Pulley    |       |
| 6    | 2    | 119216048/0 | Bearing           |       |
| 7    | 2    | 112610800/0 | Seeger            |       |
| 8    | 2    | 112609200/0 | Seeger            |       |
| 9    | 1    | 325650037/0 | Pulley Stiffening |       |
| 10   | 2    | 112793102/0 | Screw             |       |
| 11   | 2    | 112521350/0 | Washer            |       |
| 12   | 2    | 112583500/0 | Grower            |       |
| 14   | 4    | 125038000/0 | Bushing           |       |
| 15   | 1    | 112691700/0 | Screw             |       |
| 16   | 3    | 112691200/0 | Screw             |       |
| 17   | 4    | 112521350/0 | Washer            |       |
| 18   | 4    | 112293201/0 | Nut               |       |
| 19   | 1    | 112793900/0 | Screw             |       |
| 20   | 1    | 112293200/0 | Nut               |       |
| 21   | 2    | 125601560/0 | Pulley            |       |
| 22   | 3    | 112139480/0 | Feather           |       |
| 23   | 1    | 112793102/0 | Screw             |       |
| 24   | 1    | 125670007/0 | Washer            |       |
| 25   | 1    | 112583500/0 | Grower            |       |
| 26   | 1    | 135065600/0 | Belt              |       |
| 27   | 3    | 112815200/0 | Screw             |       |
| 28   | 3    | 112292102/0 | Nut               |       |
| 29   | 1    | 125060100/3 | Protection        |       |
| 30   | 6    | 112735110/0 | Screw             |       |
| 31   | 1    | 125601550/0 | Pulley            |       |
| 32   | 1    | 112793102/0 | Screw             |       |
| 33   | 1    | 125670007/0 | Washer            |       |
| 34   | 1    | 112583500/0 | Grower            |       |
| 35   | 1    | 125160002/0 | Spacer            |       |
| 36   | 1    | 325318115/1 | Lever             |       |
| 40   | 1    | 325601599/0 | Pulley            |       |
| 41   | 1    | 125160079/0 | Spacer            |       |
| 42   | 1    | 112818900/0 | Screw             |       |
| 43   | 1    | 112523060/0 | Washer            |       |
| 44   | 1    | 112155000/0 | Nut               |       |
| 45   | 1    | 112793102/0 | Screw             |       |
| 46   | 1    | 112523070/0 | Washer            |       |
| 47   | 1    | 112583500/0 | Grower            |       |
| 48   | 1    | 135062811/0 | Belt              |       |
| 91   | 1    | 182004608/0 | Engagging Cable   |       |



| Fig. | Q.ty | Part No     | Description                     | Notes  |
|------|------|-------------|---------------------------------|--------|
| 1    | 1    | 382564131/0 | Cutting Plate Black             | Black  |
| 1    | 1    | 382564132/0 | Cutting Plate Red               | Red    |
| 1    | 1    | 382564133/0 | Cutting Plate Yellow            | Yellow |
| 1    | 1    | 382564153/0 | Cutting Plate Grey              | Grey   |
| 2    | 2    | 125033060/0 | Washing Cutting Deck Connection |        |
| 3    | 2    | 119035000/0 | Or Ring                         |        |
| 4    | 2    | 112500030/0 | Rivet                           |        |
| 8    | 1    | 382207200/1 | Flange Assy                     |        |
| 9    | 1    | 382207201/2 | Support Shaft Tc                |        |
| 10   | 1    | 125020800/1 | Main Blade Shaft                |        |
| 11   | 1    | 125020801/2 | Secondary Blade Shaft           |        |
| 13   | 4    | 119216032/0 | Bearing                         |        |
| 14   | 2    | 325160501/0 | Dust Cover Disc                 |        |
| 15   | 2    | 112609260/0 | Seeger                          |        |
| 16   | 6    | 112818700/0 | Screw                           |        |
| 17   | 6    | 112154210/0 | Nut                             |        |
| 18   | 2    | 125463200/0 | Blade Hub                       |        |
| 19   | 2    | 112139100/0 | Key, Crankshaft Ø 22            |        |
| 20   | 1    | 182004348/0 | Right Mulching Blade            |        |
| 21   | 1    | 182004347/0 | Left Blade Mulching, Winged     |        |
| 22   | 2    | 125160503/0 | Blade Hub Elastic Disc Lawntr.  |        |
| 24   | 1    | 112735696/0 | Screw                           |        |
| 25   | 1    | 112735697/1 | Screw                           |        |
| 26   | 2    | 182700003/0 | Anti Scalp Wheel                |        |
| 27   | 2    | 125510072/0 | Pin                             |        |
| 28   | 2    | 112692050/0 | Screw                           |        |
| 29   | 2    | 112523060/0 | Washer                          |        |
| 30   | 2    | 112293201/0 | Nut                             |        |
| 31   | 2    | 182700004/0 | Anti Scalp Wheel                |        |
| 32   | 2    | 125510121/0 | Pin                             |        |
| 33   | 2    | 122450115/0 | Spring                          |        |
| 34   | 2    | 112000930/0 | Benzing Ring                    |        |
| 41   | 1    | 182004341/1 | Right Blade, Winged             |        |
| 42   | 1    | 182004340/1 | Left Blade, Winged              |        |
| 51   | 1    | 325140100/0 | Deflector                       |        |
| 52   | 2    | 112815210/0 | Screw                           |        |
| 53   | 2    | 125038002/1 | Bushing                         |        |
| 54   | 2    | 112154510/0 | Nut                             |        |

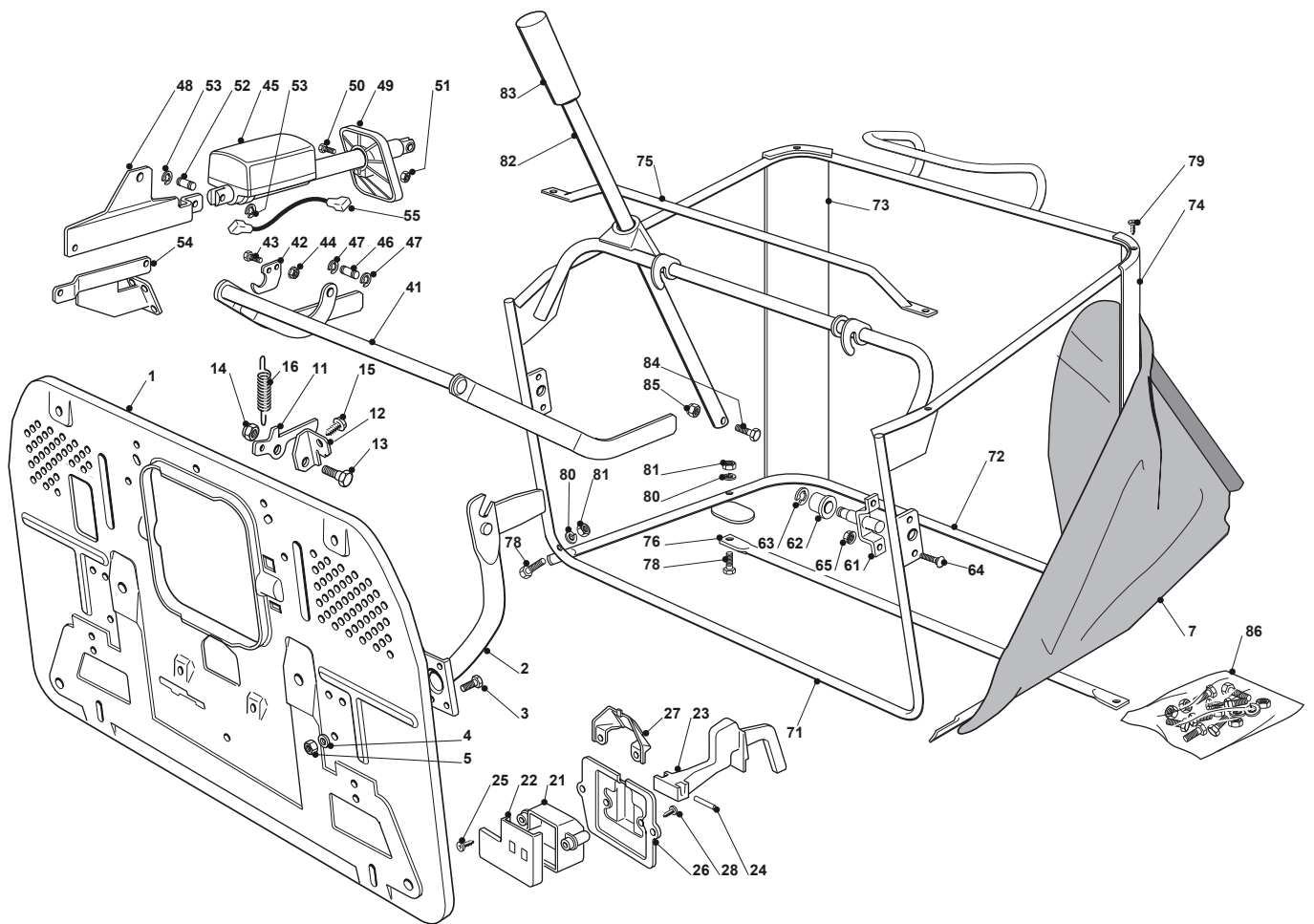


| Fig. | Q.ty | Part No     | Description                     | Notes |
|------|------|-------------|---------------------------------|-------|
| 1    | 2    | 125033060/0 | Washing Cutting Deck Connection |       |
| 2    | 2    | 119035000/0 | Or Ring                         |       |
| 3    | 2    | 112500030/0 | Rivet                           |       |
| 9    | 1    | 382108016/1 | Conveyor                        |       |
| 10   | 2    | 325774373/0 | Clamp                           |       |
| 11   | 1    | 325060144/0 | Right Belt Protection Carter    |       |
| 12   | 1    | 325060145/0 | Left Belt Protection            |       |
| 13   | 2    | 325774267/0 | Clamp                           |       |
| 14   | 2    | 325774423/0 | Clamp                           |       |
| 15   | 1    | 325774425/0 | Clamp                           |       |
| 16   | 1    | 325774421/0 | Clamp                           |       |

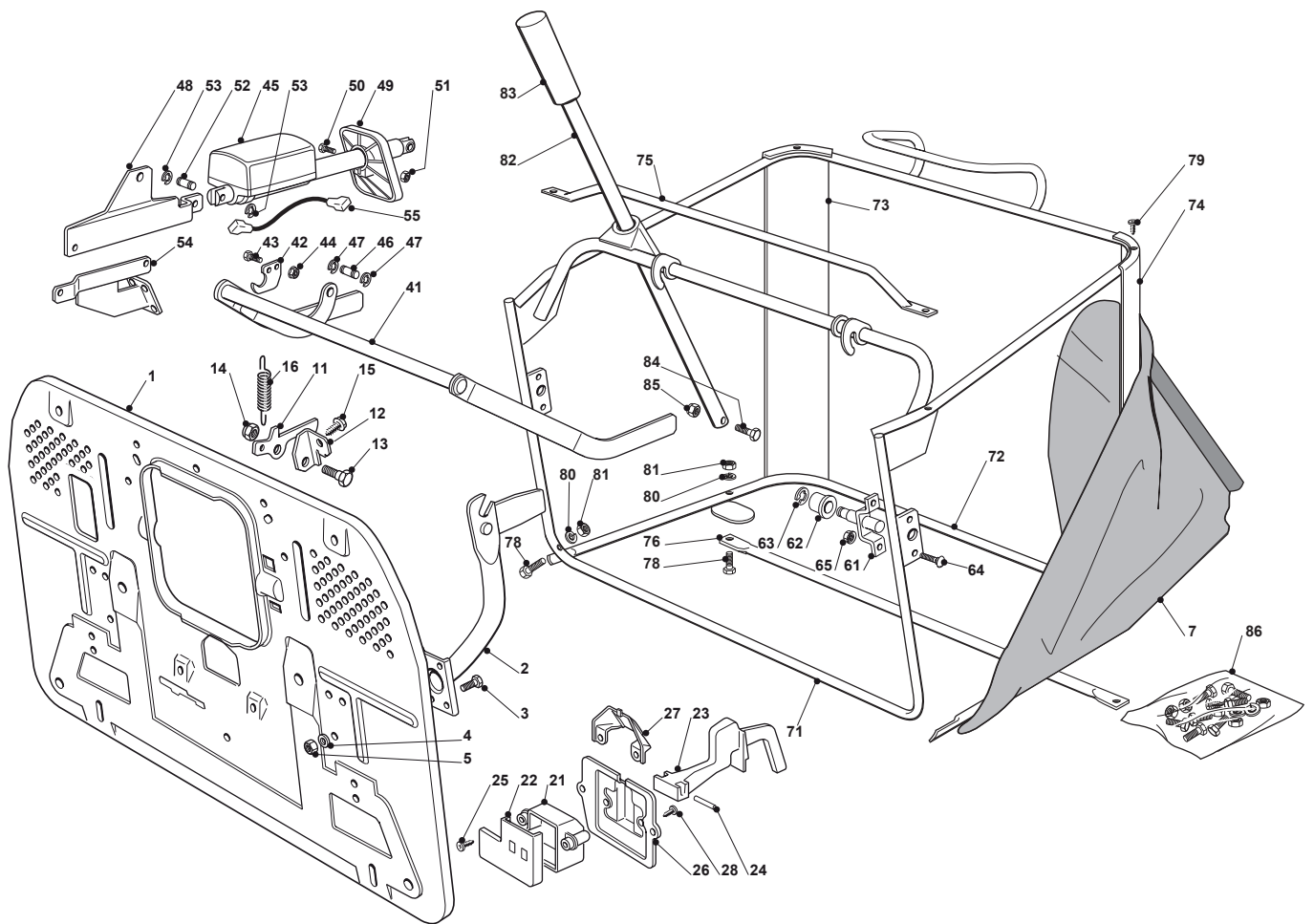




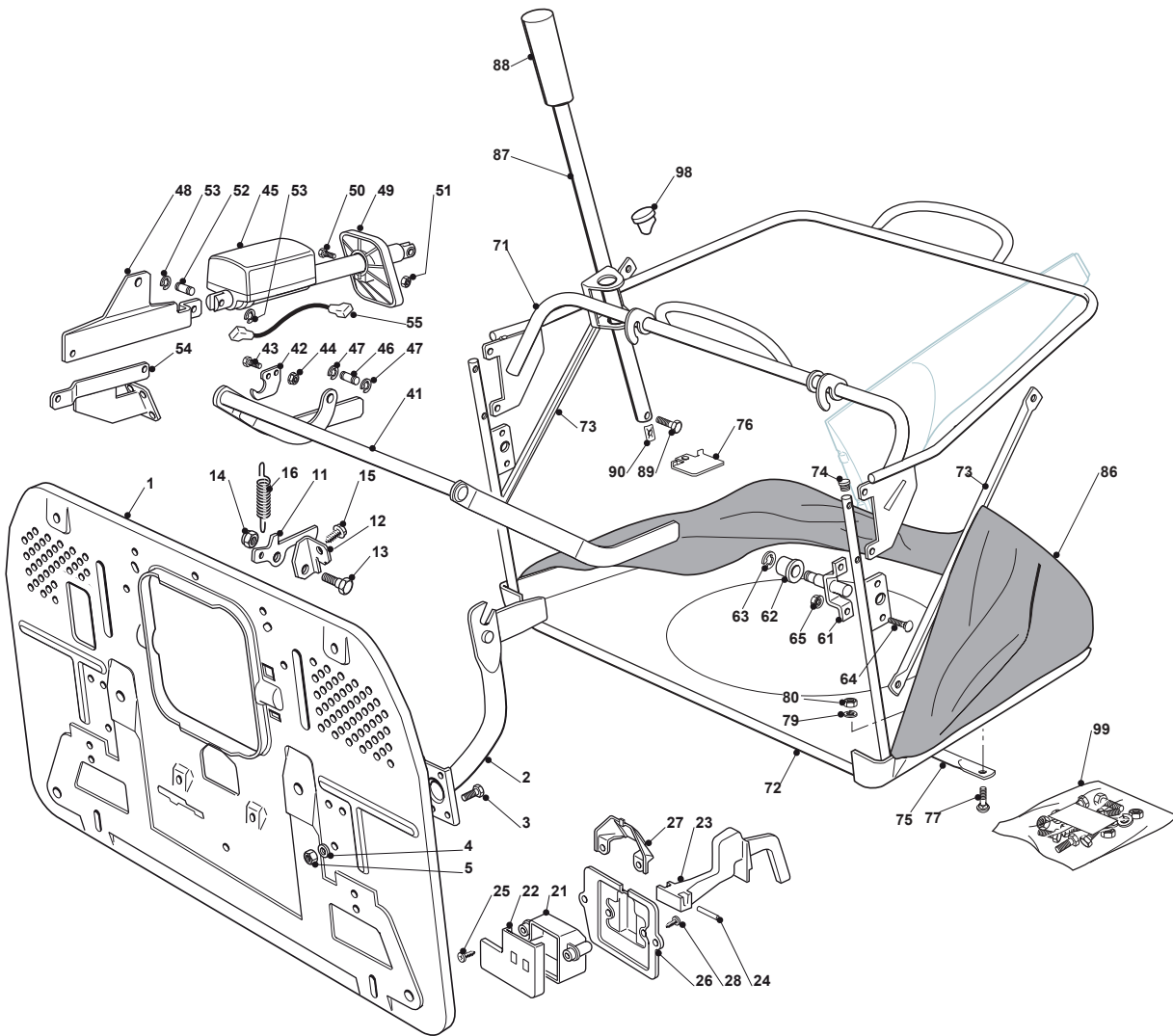
| Fig. | Q.ty | Part No     | Description                        | Notes |
|------|------|-------------|------------------------------------|-------|
| 1    | 1    | 382547051/0 | Plate                              |       |
| 2    | 2    | 182774225/1 | Clamp                              |       |
| 3    | 6    | 112793102/0 | Screw                              |       |
| 4    | 6    | 112523060/0 | Washer                             |       |
| 5    | 6    | 112293201/0 | Nut                                |       |
| 7    | 1    | 182106000/2 | Grasscatcher                       |       |
| 11   | 1    | 325774315/1 | Bracket                            |       |
| 12   | 1    | 325755031/1 | Bracket                            |       |
| 13   | 1    | 125510080/1 | Pin                                |       |
| 14   | 1    | 112292102/0 | Nut                                |       |
| 15   | 1    | 112735122/0 | Screw                              |       |
| 16   | 1    | 125430210/1 | Brake Spring                       |       |
| 21   | 1    | 125600041/0 | Grassc.Full Micro Protection Tcj-F |       |
| 22   | 1    | 125600042/0 | Grasscatcher Micro Prot Cover      |       |
| 23   | 1    | 125318124/0 | Full Grassc. Microswtich Cover     |       |
| 24   | 1    | 112400030/0 | Pin                                |       |
| 25   | 1    | 112728510/0 | Screw                              |       |
| 26   | 1    | 325785272/0 | Micro Protection                   |       |
| 27   | 1    | 125600048/0 | Micro Protection Cover             |       |
| 28   | 2    | 112728450/0 | Screw                              |       |
| 71   | 1    | 382800051/0 | Upper Frame                        |       |
| 72   | 1    | 382800002/2 | Lower Grasscatcher Frame           |       |
| 73   | 1    | 325032001/1 | Right Angular Support              |       |
| 74   | 1    | 325032002/1 | Left Angular Support               |       |
| 75   | 1    | 382394001/2 | Front Handle                       |       |
| 76   | 1    | 382650038/0 | Lower Stiffening                   |       |
| 78   | 4    | 112792099/0 | Screw                              |       |
| 79   | 4    | 112729601/1 | Screw                              |       |
| 80   | 4    | 112582101/0 | Grower                             |       |
| 81   | 4    | 112292100/0 | Nut                                |       |
| 82   | 1    | 125869029/1 | Grasscatcher Lifting Tube          |       |
| 83   | 1    | 125394508/0 | Knob                               |       |
| 84   | 1    | 112792099/0 | Screw                              |       |
| 85   | 1    | 112154510/0 | Nut                                |       |
| 86   | 1    | 382180027/1 | Outfit, Screws                     |       |



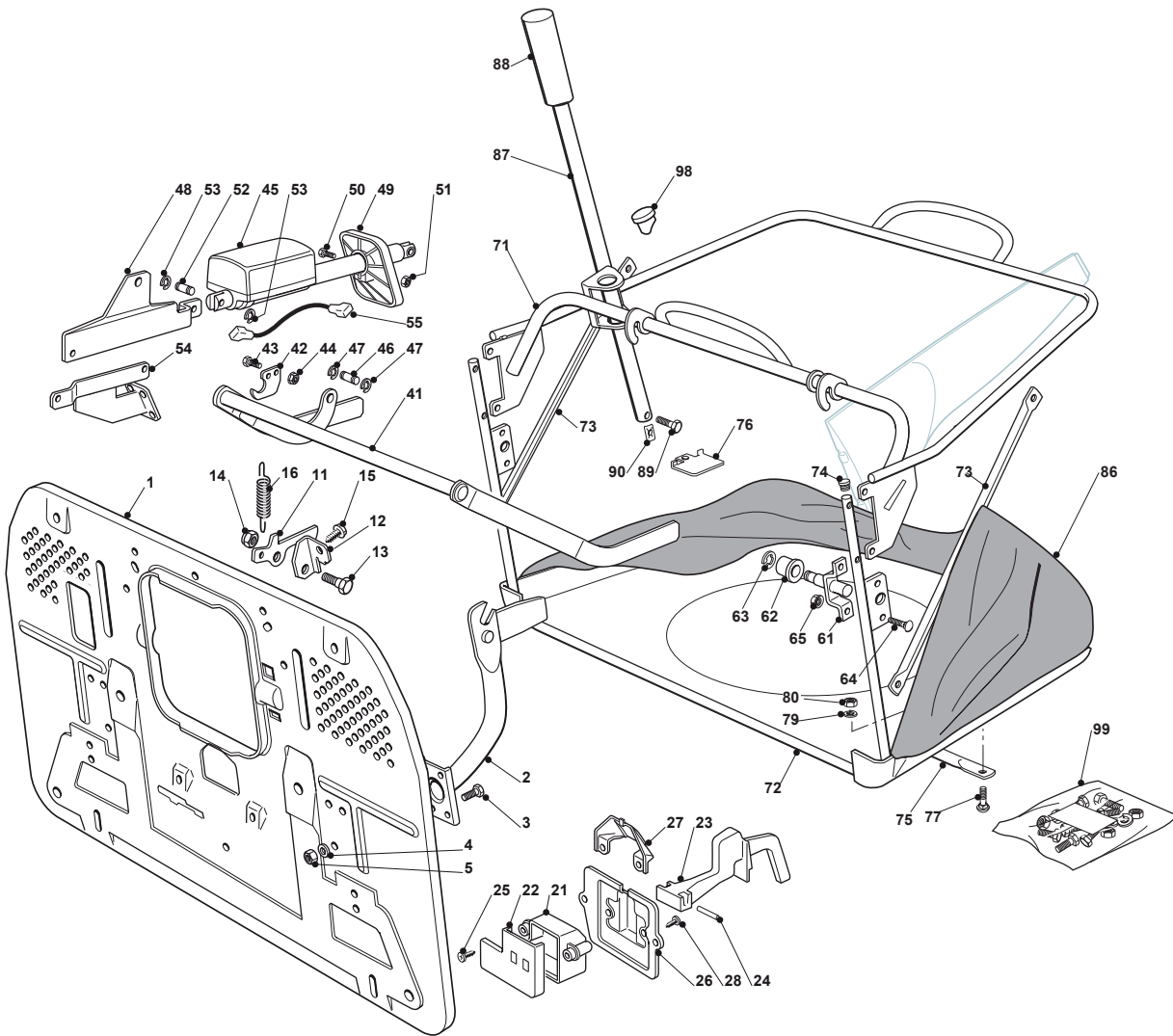
| Fig. | Q.ty | Part No     | Description                        | Notes |
|------|------|-------------|------------------------------------|-------|
| 1    | 1    | 382547053/0 | Plate                              |       |
| 2    | 2    | 382774245/0 | Support                            |       |
| 3    | 6    | 112793102/0 | Screw                              |       |
| 4    | 6    | 112523060/0 | Washer                             |       |
| 5    | 6    | 112293201/0 | Nut                                |       |
| 7    | 1    | 182106000/2 | Grasscatcher                       |       |
| 11   | 1    | 325774315/1 | Bracket                            |       |
| 12   | 1    | 325755031/1 | Bracket                            |       |
| 13   | 1    | 125510080/1 | Pin                                |       |
| 14   | 1    | 112292102/0 | Nut                                |       |
| 15   | 1    | 112735122/0 | Screw                              |       |
| 16   | 1    | 125430210/1 | Brake Spring                       |       |
| 21   | 1    | 125600041/0 | Grassc.Full Micro Protection Tcj-F |       |
| 22   | 1    | 125600042/0 | Grasscatcher Micro Prot Cover      |       |
| 23   | 1    | 125318124/0 | Full Grassc. Microswtich Cover     |       |
| 24   | 1    | 112400030/0 | Pin                                |       |
| 25   | 1    | 112728510/0 | Screw                              |       |
| 26   | 1    | 325785272/0 | Micro Protection                   |       |
| 27   | 1    | 125600048/0 | Micro Protection Cover             |       |
| 28   | 2    | 112728450/0 | Screw                              |       |
| 41   | 1    | 382000507/1 | Axle                               |       |
| 42   | 2    | 325774317/0 | Grasscatcher Lifting Axle Clam     |       |
| 43   | 4    | 112815210/0 | Screw                              |       |
| 44   | 4    | 112154510/0 | Nut                                |       |
| 45   | 1    | 118001000/0 | Actuator                           |       |
| 46   | 1    | 125510083/0 | Pin                                |       |
| 47   | 2    | 112000955/0 | Benzing Ring                       |       |
| 48   | 1    | 325785197/0 | Actuator Support                   |       |
| 49   | 1    | 325600060/0 | Protection                         |       |
| 50   | 1    | 112727795/0 | Screw                              |       |
| 51   | 1    | 112154330/0 | Nut                                |       |
| 52   | 1    | 125510083/0 | Pin                                |       |
| 53   | 2    | 112000955/0 | Benzing Ring                       |       |
| 54   | 1    | 382650209/0 | Stiffening                         |       |
| 55   | 1    | 125065030/0 | Connecting Cable                   |       |
| 61   | 2    | 382785147/0 | Support                            |       |
| 62   | 2    | 125690001/0 | Roll                               |       |
| 63   | 2    | 112000956/0 | Benzing Ring                       |       |
| 64   | 4    | 112818690/0 | Screw                              |       |
| 65   | 4    | 112293201/0 | Nut                                |       |
| 71   | 1    | 382800093/0 | Upper Frame                        |       |
| 72   | 1    | 382800002/2 | Lower Grasscatcher Frame           |       |
| 73   | 1    | 325032001/1 | Right Angular Support              |       |
| 74   | 1    | 325032002/1 | Left Angular Support               |       |
| 75   | 1    | 382394001/2 | Front Handle                       |       |
| 76   | 1    | 382650038/0 | Lower Stiffening                   |       |
| 78   | 4    | 112792099/0 | Screw                              |       |
| 79   | 4    | 112729601/1 | Screw                              |       |
| 80   | 4    | 112582101/0 | Grower                             |       |
| 81   | 4    | 112292100/0 | Nut                                |       |
| 82   | 1    | 125869029/1 | Grasscatcher Lifting Tube          |       |



| Fig. | Q.ty | Part No     | Description    | Notes |
|------|------|-------------|----------------|-------|
| 83   | 1    | 125394508/0 | Knob           |       |
| 84   | 1    | 112792099/0 | Screw          |       |
| 85   | 1    | 112154510/0 | Nut            |       |
| 86   | 1    | 382180045/0 | Outfit, Screws |       |



| Fig. | Q.ty | Part No     | Description                        | Notes |
|------|------|-------------|------------------------------------|-------|
| 1    | 1    | 382547053/0 | Plate                              |       |
| 2    | 2    | 382774245/0 | Support                            |       |
| 3    | 6    | 112793102/0 | Screw                              |       |
| 4    | 6    | 112523060/0 | Washer                             |       |
| 5    | 6    | 112293201/0 | Nut                                |       |
| 11   | 1    | 325774417/0 | Clamp                              |       |
| 12   | 1    | 325755031/0 | Clamp                              |       |
| 13   | 1    | 125510080/0 | Pin                                |       |
| 14   | 1    | 112292102/0 | Nut                                |       |
| 15   | 1    | 112735122/0 | Screw                              |       |
| 16   | 1    | 127430579/0 | Clutch Spring                      |       |
| 21   | 1    | 125600041/0 | Grassc.Full Micro Protection Tcj-F |       |
| 22   | 1    | 125600042/0 | Grasscatcher Micro Prot Cover      |       |
| 23   | 1    | 125318124/0 | Full Grassc. Microswtich Cover     |       |
| 24   | 1    | 112400030/0 | Pin                                |       |
| 25   | 1    | 112728510/0 | Screw                              |       |
| 26   | 1    | 325785272/0 | Micro Protection                   |       |
| 27   | 1    | 125600048/0 | Micro Protection Cover             |       |
| 28   | 2    | 112728450/0 | Screw                              |       |
| 41   | 1    | 82000507/0  | Axle                               |       |
| 42   | 2    | 325774317/0 | Grasscatcher Lifting Axle Clam     |       |
| 43   | 4    | 112815210/0 | Screw                              |       |
| 44   | 4    | 112154510/0 | Nut                                |       |
| 45   | 1    | 118001000/0 | Actuator                           |       |
| 46   | 1    | 125510083/0 | Pin                                |       |
| 47   | 2    | 112000955/0 | Benzing Ring                       |       |
| 48   | 1    | 325785197/0 | Actuator Support                   |       |
| 49   | 1    | 325600060/0 | Protection                         |       |
| 50   | 1    | 112727795/0 | Screw                              |       |
| 51   | 1    | 112154330/0 | Nut                                |       |
| 52   | 1    | 125510083/0 | Pin                                |       |
| 53   | 2    | 112000955/0 | Benzing Ring                       |       |
| 54   | 1    | 382650209/0 | Stiffening                         |       |
| 55   | 1    | 125065030/0 | Connecting Cable                   |       |
| 61   | 2    | 382785147/0 | Support                            |       |
| 62   | 2    | 125690001/0 | Roll                               |       |
| 63   | 2    | 112000956/0 | Benzing Ring                       |       |
| 64   | 4    | 112818690/0 | Screw                              |       |
| 65   | 4    | 112293201/0 | Nut                                |       |
| 71   | 1    | 382800123/1 | Upper Frame                        |       |
| 72   | 1    | 382800089/1 | Front Frame                        |       |
| 73   | 2    | 325650117/0 | Stiffening                         |       |
| 74   | 2    | 118566111/0 | Cap                                |       |
| 75   | 1    | 382650043/0 | Lower Stiffening                   |       |
| 76   | 1    | 325547131/0 | Plate                              |       |
| 77   | 6    | 112815210/0 | Screw                              |       |
| 79   | 2    | 112521330/0 | Washer                             |       |
| 80   | 2    | 112154510/0 | Nut                                |       |
| 86   | 1    | 182105948/0 | Grasscatcher                       |       |
| 87   | 1    | 125869029/1 | Grasscatcher Lifting Tube          |       |
| 88   | 1    | 125394508/0 | Knob                               |       |



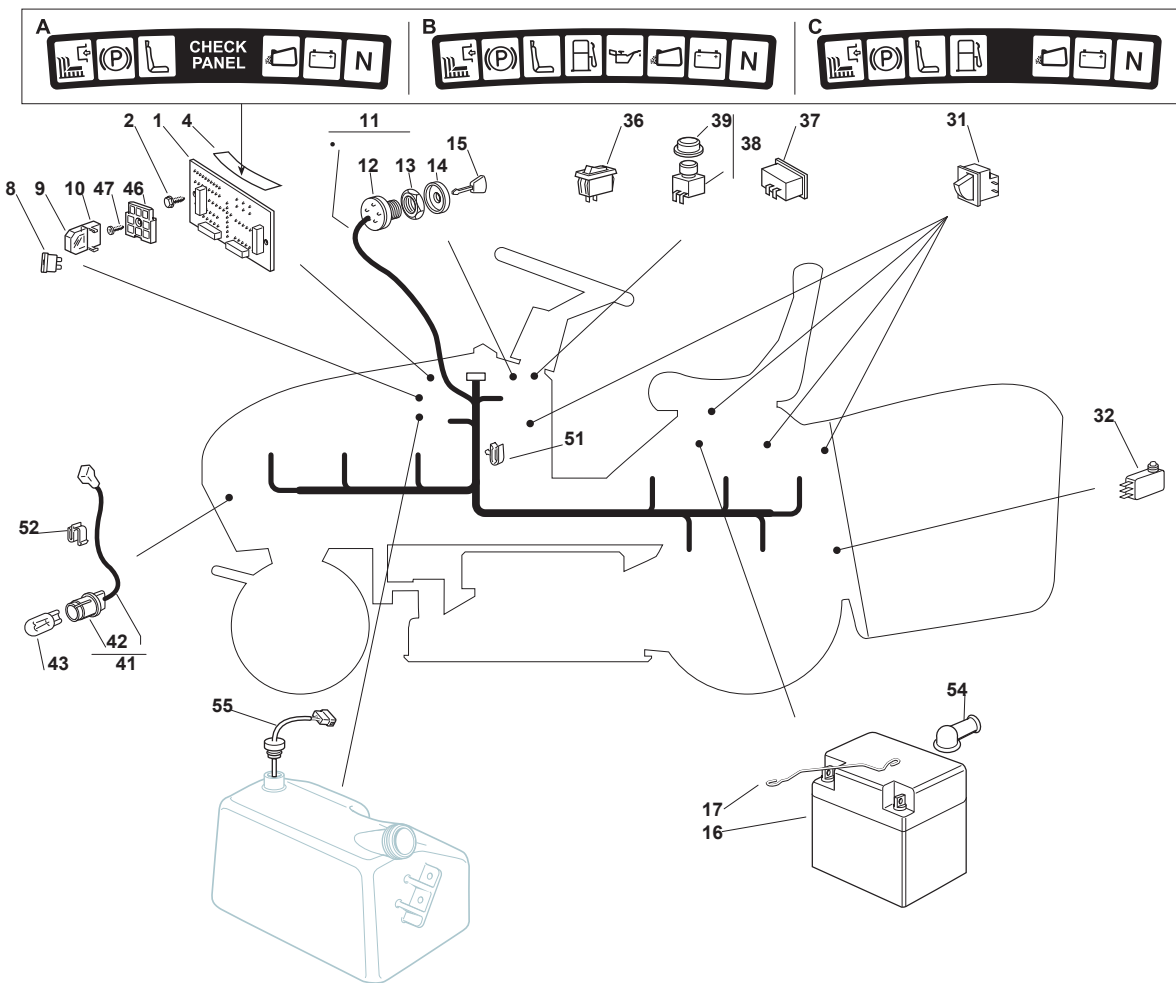


# TCS 102 HYDRO

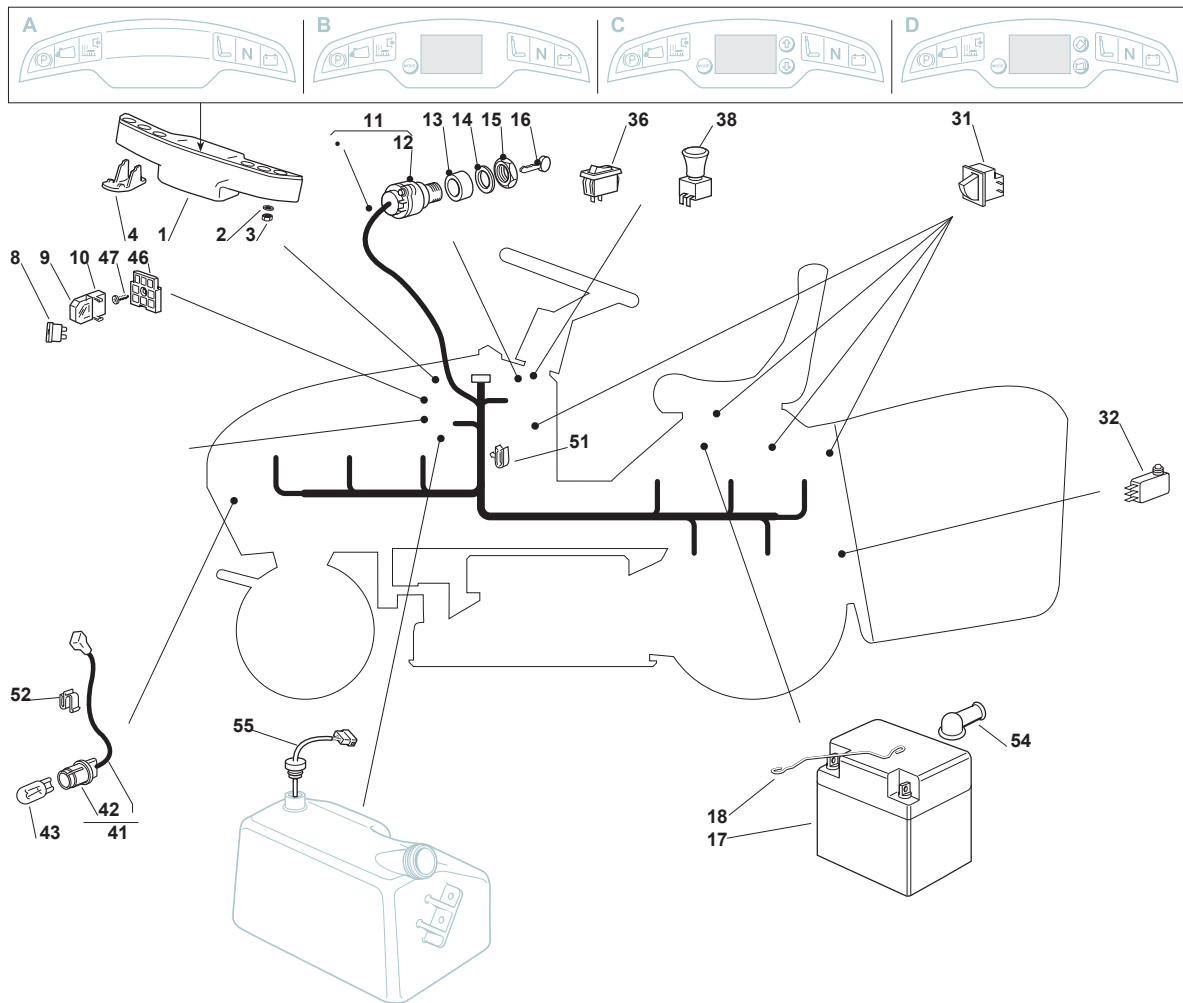
Ride-on 102-122 cm Grass-Catcher with Electrical Lifting

Issue 13 - 2016

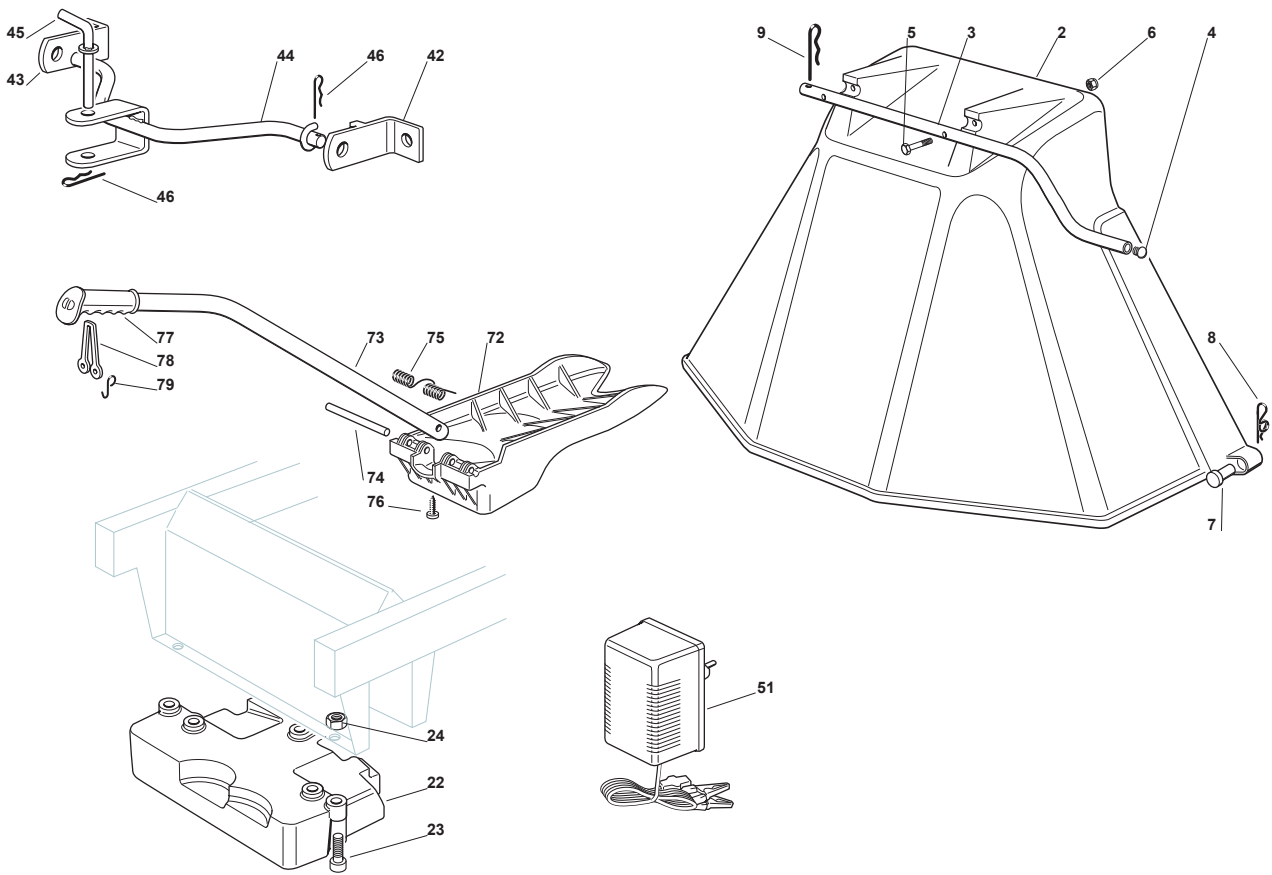
| Fig. | Q.ty | Part No     | Description    | Notes |
|------|------|-------------|----------------|-------|
| 89   | 1    | 112788800/0 | Screw          |       |
| 90   | 1    | 112157000/0 | Nut            |       |
| 98   | 1    | 325120232/0 | Cap            |       |
| 99   | 1    | 382180111/0 | Outfit, Screws |       |



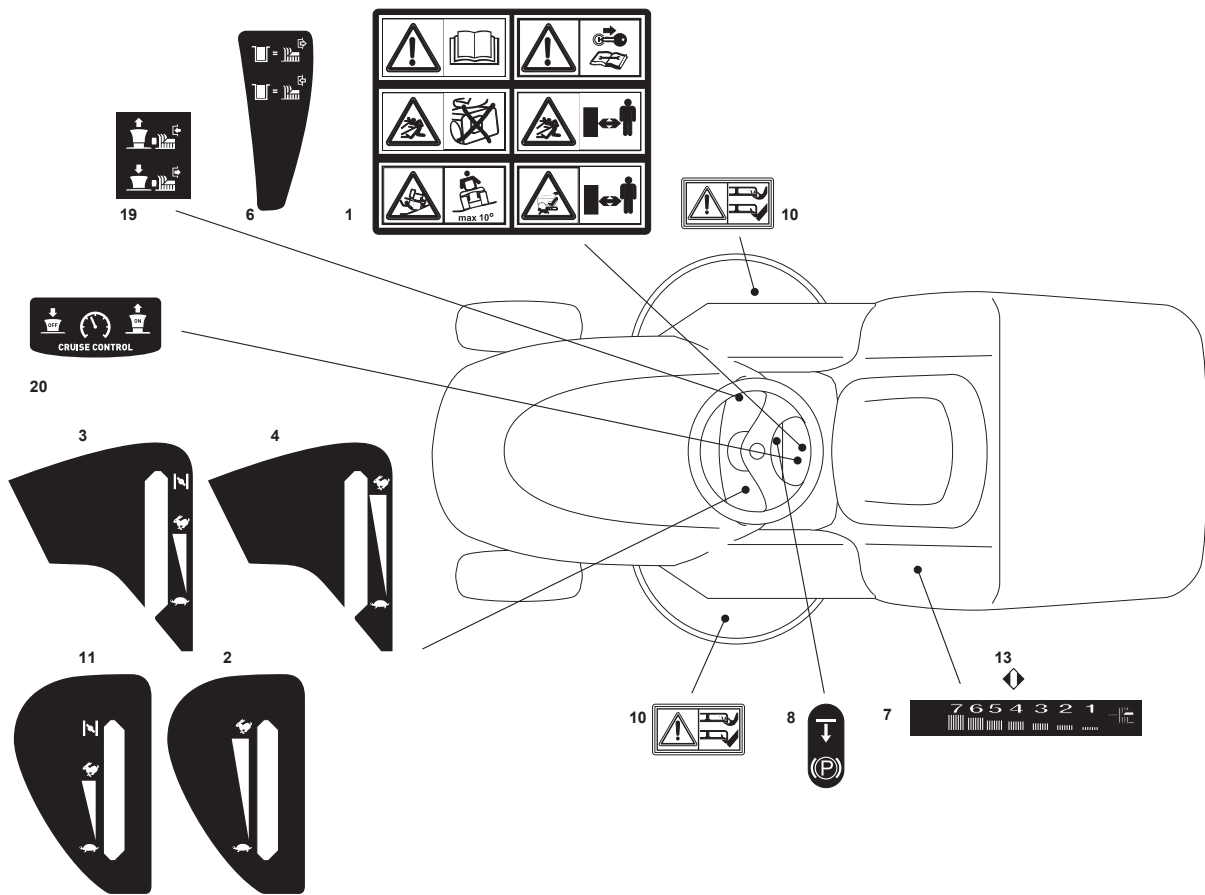
| Fig. | Q.ty | Part No      | Description             | Notes                        |
|------|------|--------------|-------------------------|------------------------------|
| 1    | 1    | 125722441/0  | Electronic Card         |                              |
| 2    | 3    | 112735105/0  | Screw                   |                              |
| 4    | 1    | 125420004/0  | Check Control (A)       | "A"                          |
| 4    | 1    | 125420007/0  | Check Control (C)       | "C"                          |
| 4    | 1    | 125420005/0  | Check Control (B)       | "B"                          |
| 8    | 1    | 133340040/0  | Fuse 10 A               |                              |
| 8    | 1    | 133340036/0  | Fuse 25 A               |                              |
| 9    | 2    | 133215000/0  | Cover                   |                              |
| 10   | 2    | 133500007/0  | Fuse Carrier            |                              |
| 11   | 1    | 182040207/0  | Cables Ass.Y            | for Honda Engines            |
| 11   | 1    | 182040206/1  | Cables Ass.Y            | for B&S-GGP-Kawasaki Engines |
| 12   | 1    | 118450065/1  | Starting Switch         |                              |
| 13   | 1    | 118400861/0  | Screwed Ring            |                              |
| 14   | 1    | 118565351/0  | Screwed Ring Protection |                              |
| 15   | 1    | 118210016/1  | Starting Key            |                              |
| 16   | 1    | 118120002/1  | Battery                 |                              |
| 17   | 1    | 125430230/0  | Spring                  |                              |
| 31   | 3    | 119410615/0  | Microswitch             |                              |
| 32   | 1    | 119410605/1  | Microswitch             |                              |
| 36   | 1    | 118450060/1  | Headlight Interrupt.    |                              |
| 37   | 1    | 9400-0384-01 | Hour Counter            |                              |
| 38   | 1    | 118450067/0  | Switch                  |                              |
| 39   | 1    | 118203852/0  | Cap                     |                              |
| 41   | 1    | 182040070/0  | Cables Ass.Y            | for TC Models                |
| 41   | 1    | 182040073/0  | Lamp Holder             | for TX-TS Models             |
| 42   | 2    | 133500030/0  | Lamp Holder             |                              |
| 43   | 2    | 118459100/0  | Lamp For Lights         |                              |
| 46   | 1    | 133500010/1  | Plate                   |                              |
| 47   | 1    | 112735170/0  | Screw                   |                              |
| 51   | 5    | 133320506/0  | Fairlead                |                              |
| 52   | 1    | 133320504/0  | Fairlead                |                              |
| 54   | 1    | 118564864/1  | Protection              |                              |
| 55   | 1    | 125290000/0  | Fuel Level Indicator    |                              |



| Fig. | Q.ty | Part No     | Description          | Notes                        |
|------|------|-------------|----------------------|------------------------------|
| 2    | 2    | 112521320/0 | Washer               |                              |
| 3    | 2    | 112154330/0 | Nut                  |                              |
| 4    | 1    | 325031501/0 | Deflector            |                              |
| 8    | 1    | 133340035/0 | Fuse 15 A            | for Electrical Lifting       |
| 8    | 1    | 133340036/0 | Fuse 25 A            | for Manual Lifting           |
| 8    | 1    | 133340040/0 | Fuse 10 A            | for Manual Lifting           |
| 9    | 2    | 133215000/0 | Cover                | for Manual Lifting           |
| 9    | 3    | 133215000/0 | Cover                | for Electrical Lifting       |
| 10   | 2    | 133500007/0 | Fuse Carrier         | for Manual Lifting           |
| 10   | 3    | 133500007/0 | Fuse Carrier         | for Electrical Lifting       |
| 12   | 1    | 118450072/0 | Starting Switch      |                              |
| 13   | 1    | 118550136/0 | Spacer               |                              |
| 14   | 1    | 118550135/0 | Washer               |                              |
| 15   | 1    | 118400862/0 | Ring Nut             |                              |
| 16   | 1    | 118210022/0 | Starting Key         |                              |
| 17   | 1    | 118120002/1 | Battery              |                              |
| 18   | 1    | 125430230/0 | Spring               |                              |
| 31   | 3    | 119410615/0 | Microswitch          |                              |
| 32   | 1    | 119410605/1 | Microswitch          |                              |
| 36   | 1    | 118450060/1 | Headlight Interrupt. |                              |
| 38   | 1    | 118450068/0 | Switch               |                              |
| 41   | 1    | 182040073/0 | Lamp Holder          |                              |
| 42   | 2    | 133500030/0 | Lamp Holder          |                              |
| 43   | 2    | 118459100/0 | Lamp For Lights      |                              |
| 46   | 1    | 133500010/1 | Plate                |                              |
| 47   | 1    | 112735170/0 | Screw                |                              |
| 51   | 5    | 133320506/0 | Fairlead             |                              |
| 52   | 1    | 133320504/0 | Fairlead             |                              |
| 54   | 1    | 118564864/1 | Protection           |                              |
| 55   | 1    | 125290001/0 | Fuel Level Indicator |                              |
| 11   | 1    | 182040203/0 | Cables Ass.Y         | for B&S-GGP-Kawasaki Engines |
| 11   | 1    | 182040208/0 | Cables Ass.Y         | for Honda Engine             |
| 1    | 1    | 382722431/0 | Cards + Guards (A)   | "A"                          |
| 1    | 1    | 382722432/0 | Cards + Guards (B)   | "B"                          |
| 1    | 1    | 382722433/0 | Cards + Guards (D)   | "D"                          |
| 1    | 1    | 382722434/0 | Cards + Guards (C)   | "C"                          |

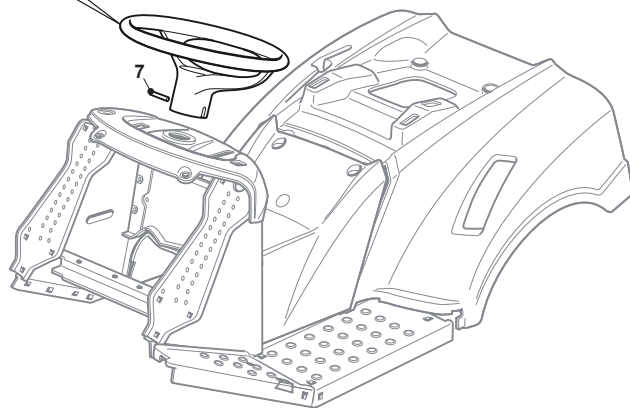
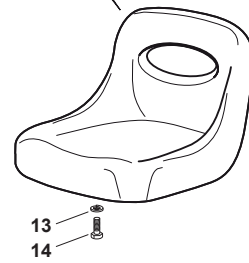
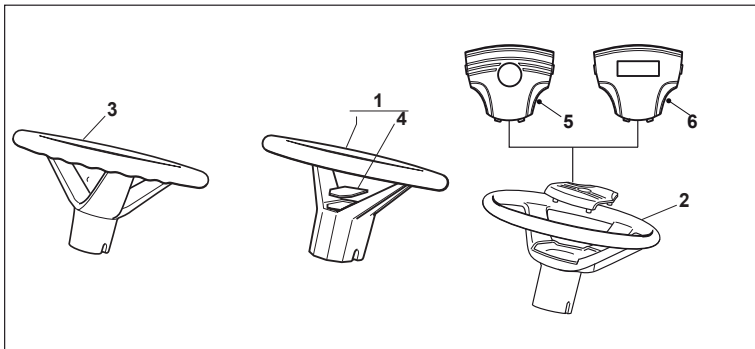
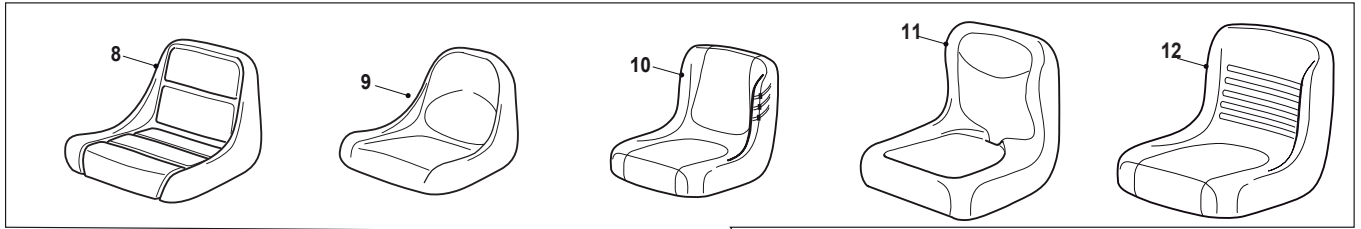


| Fig. | Q.ty | Part No     | Description            | Notes    |
|------|------|-------------|------------------------|----------|
| 2    | 1    | 382400003/1 | Ejection Guard         |          |
| 3    | 1    | 325869043/0 | Rear Support           |          |
| 4    | 2    | 118566112/0 | Polyethylene Push Road |          |
| 5    | 2    | 112689515/0 | Screw                  |          |
| 6    | 2    | 112154510/0 | Nut                    |          |
| 7    | 2    | 125510022/0 | Pin                    |          |
| 8    | 2    | 124487998/0 | Cotter Pin             |          |
| 9    | 1    | 124487999/0 | Spring Pin             |          |
| 22   | 1    | 125519997/1 | Front Weight Tc        |          |
| 23   | 3    | 112760520/0 | Screw                  |          |
| 24   | 3    | 112155000/0 | Nut                    |          |
| 42   | 1    | 382735502/0 | Bracket                |          |
| 43   | 1    | 325774213/0 | Bracket                |          |
| 44   | 1    | 382033105/1 | Rod                    |          |
| 45   | 1    | 125510021/1 | Hitch Pin              |          |
| 46   | 2    | 124487999/0 | Spring Pin             |          |
| 51   | 1    | 182180050/0 | Battery Charger        | CE Plugg |
| 51   | 1    | 182180052/0 | Battery Charger        | UK Plugg |
| 72   | 1    | 325140097/0 | Deflector              |          |
| 73   | 1    | 325394005/0 | Handle                 |          |
| 74   | 1    | 125510077/0 | Pin                    |          |
| 75   | 1    | 125430245/0 | Spring                 |          |
| 76   | 1    | 112735405/0 | Screw                  |          |
| 77   | 1    | 325280000/1 | Handgrip               |          |
| 78   | 1    | 125840011/1 | Tie Rod                |          |
| 79   | 2    | 125253004/0 | Mulch.Kit Fixing Hook  |          |

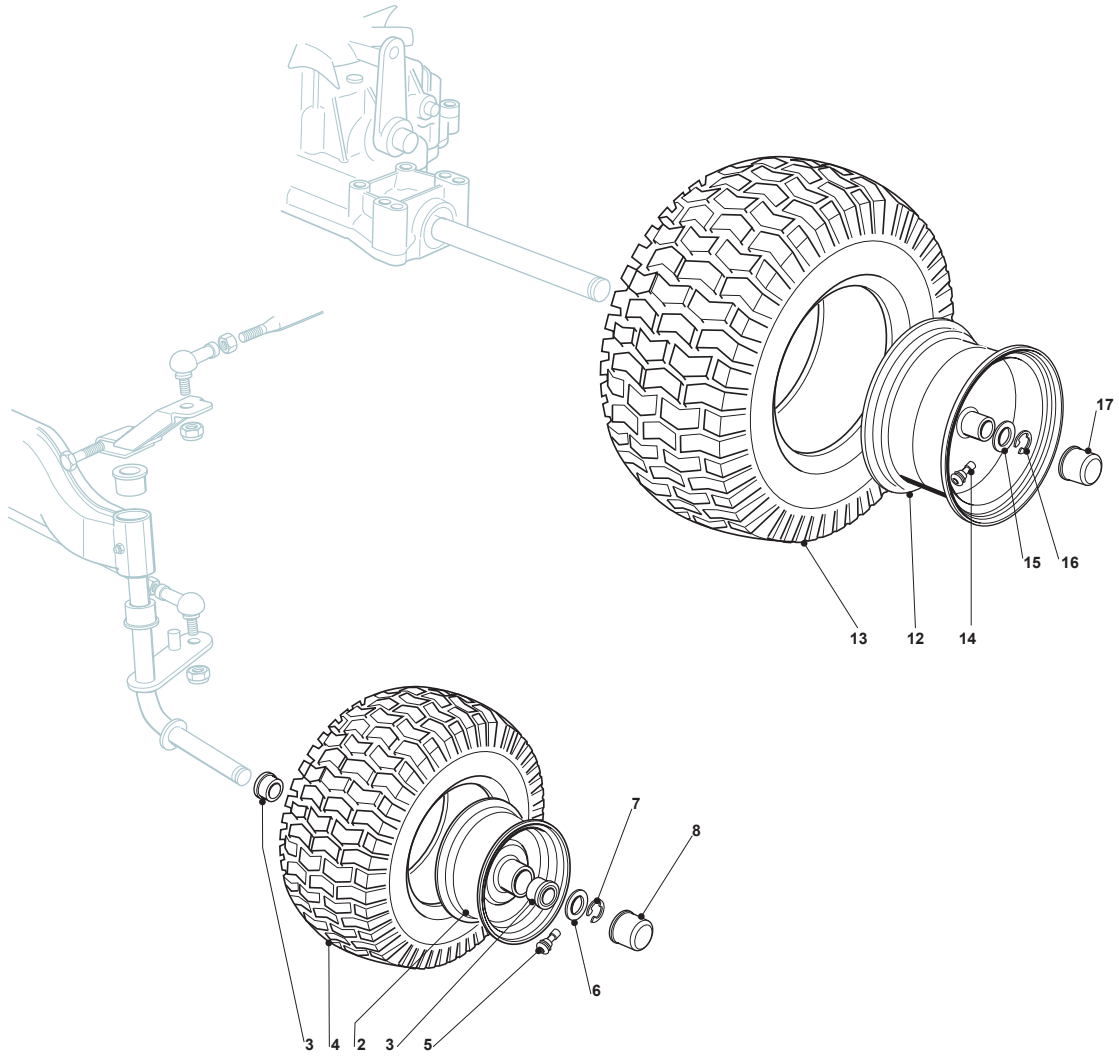




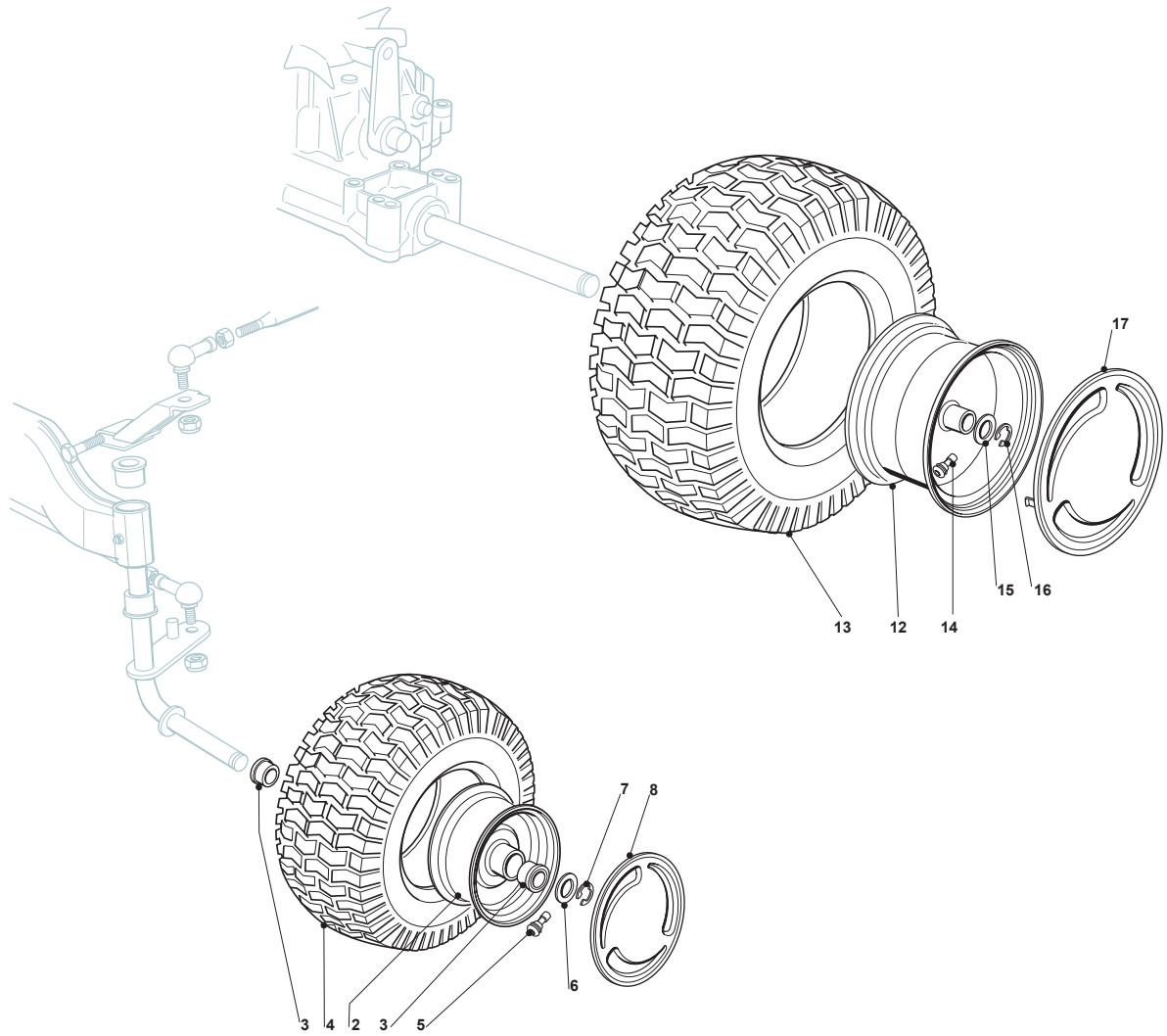
| Fig. | Q.ty | Part No     | Description    | Notes |
|------|------|-------------|----------------|-------|
| 1    | 1    | 114357428/1 | Label          |       |
| 2    | 1    | 114356756/2 | Throttle Label |       |
| 3    | 1    | 114356177/2 | Throttle Label |       |
| 4    | 1    | 114356184/3 | Throttle Label |       |
| 6    | 1    | 114357967/0 | Label          |       |
| 7    | 1    | 114357905/0 | Label          |       |
| 8    | 1    | 114357526/1 | Label          |       |
| 10   | 2    | 114356699/1 | Label          |       |
| 11   | 1    | 114356754/1 | Throttle Label |       |
| 13   | 1    | 114357913/0 | Label          |       |
| 19   | 1    | 114360912/0 | Label          |       |
| 20   | 1    | 114365612/0 | Label          |       |



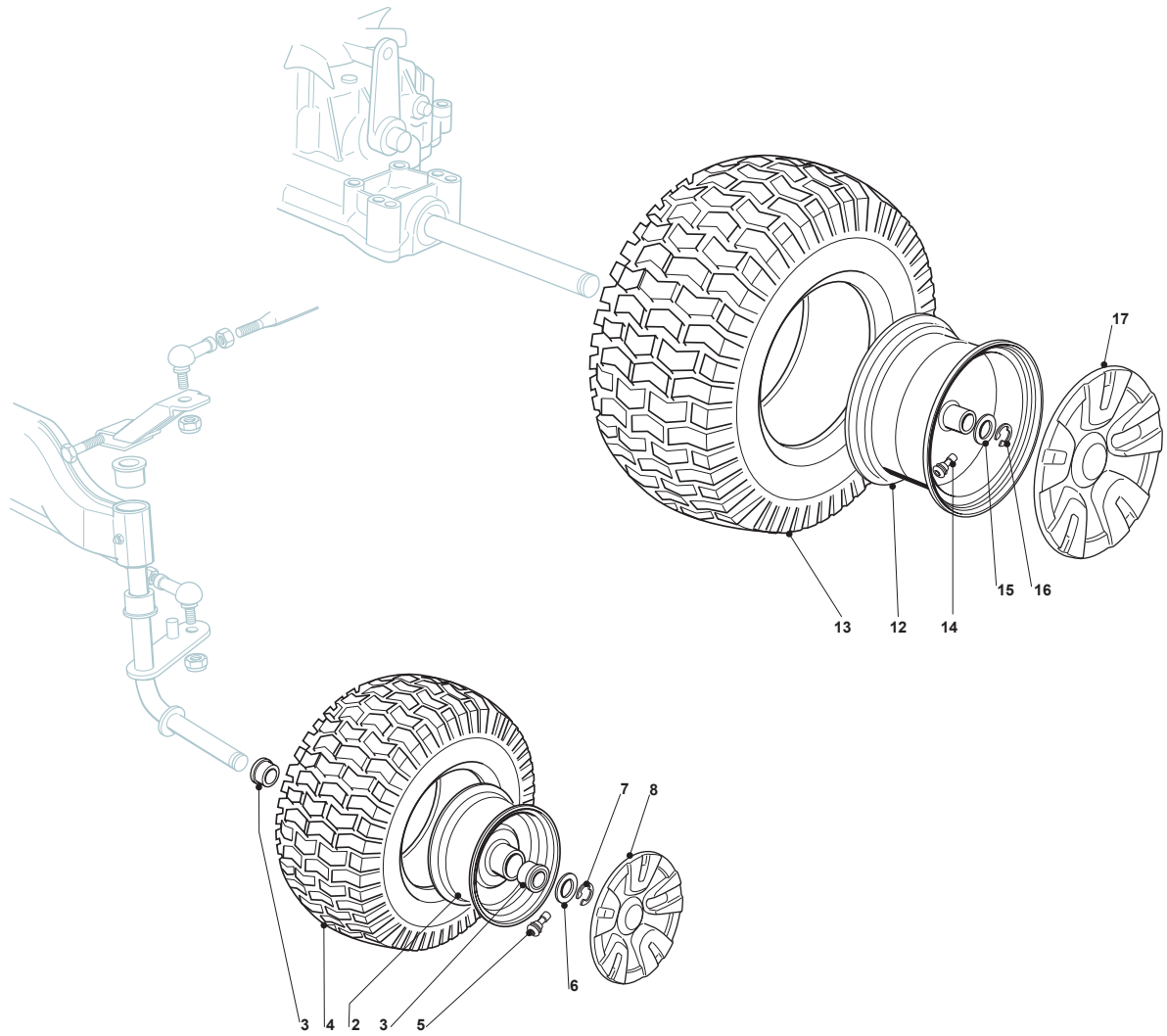
| Fig. | Q.ty | Part No     | Description                    | Notes                   |
|------|------|-------------|--------------------------------|-------------------------|
| 1    | 1    | 125961213/0 | Steering Wheel                 |                         |
| 2    | 1    | 125961214/1 | Steering Wheel                 | Grey                    |
| 2    | 1    | 125961217/1 | Coated Steering Wheel Black Tc | Black                   |
| 2    | 1    | 125961210/1 | Steering Wheel                 | Black Coated            |
| 3    | 1    | 125961206/0 | Steering Wheel                 |                         |
| 4    | 1    | 325120231/0 | Cap                            |                         |
| 5    | 1    | 325580500/0 | Cap                            |                         |
| 6    | 1    | 325580501/0 | Cap                            |                         |
| 6    | 1    | 325580505/0 | Cap                            | Specific for Mountfield |
| 7    | 1    | 112620299/0 | Elastic Pin                    |                         |
| 8    | 1    | 125722450/1 | Seat                           |                         |
| 9    | 1    | 125722451/2 | Seat                           |                         |
| 10   | 1    | 125722459/0 | Seat                           |                         |
| 11   | 1    | 125722457/0 | Seat                           |                         |
| 12   | 1    | 125722471/0 | Seat                           | Integral, Black         |
| 12   | 1    | 125722467/1 | Seat                           | Confort, Black          |
| 13   | 4    | 112793102/0 | Screw                          |                         |
| 14   | 4    | 112583500/0 | Grower                         |                         |



| Fig. | Q.ty | Part No     | Description  | Notes                       |
|------|------|-------------|--------------|-----------------------------|
| 2    | 2    | 182000595/1 | Rimm         | 4"X6" STARCO                |
| 2    | 2    | 182000598/0 | Rimm         | 4"X6" FENGCHI               |
| 3    | 4    | 125122200/2 | Bearing      |                             |
| 4    | 2    | 125590000/0 | Front Tyre   | 13X5.00-6 CARLISLE          |
| 4    | 2    | 127590051/0 | Tyre         | 13X5.00-6 CARLISLE          |
| 4    | 2    | 125590020/0 | Tyre         | 15X6.00-6 PR2               |
| 12   | 2    | 182000599/0 | Rimm         | 7,5"X8" FENGCHI             |
| 12   | 2    | 182000596/1 | Rimm         | 7,5"X8" STARCO              |
| 13   | 2    | 125590001/0 | Rear Tyre    | 18x850-8 CARLISLE           |
| 13   | 2    | 125590022/0 | Tyre         | P 519 Version               |
| 14   | 2    | 125950000/0 | Valve        |                             |
| 15   | 2    | 125670005/1 | Washer       |                             |
| 16   | 2    | 112001010/0 | Benzing Ring |                             |
| 17   | 2    | 122110230/0 | Hub Cover    | Standard Black Cover        |
| 17   | 2    | 322110239/0 | Hub Cover    | Black Cover with Stiga Logo |



| Fig. | Q.ty | Part No     | Description  | Notes                       |
|------|------|-------------|--------------|-----------------------------|
| 2    | 2    | 182000595/1 | Rimm         | 4"X6" STARCO                |
| 2    | 2    | 182000598/0 | Rimm         | 4"X6" FENGCHI               |
| 3    | 2    | 125122200/2 | Bearing      |                             |
| 4    | 2    | 125590000/0 | Front Tyre   | 13X5.00-6 CARLISLE          |
| 4    | 2    | 125590019/0 | Tyre         | P 512 Version               |
| 4    | 2    | 127590051/0 | Tyre         | 15X5.00-6 CARLISLE          |
| 4    | 2    | 125590020/0 | Tyre         | 15X6.00-6 PR2 TL P519 WANDA |
| 5    | 2    | 125950000/0 | Valve        |                             |
| 6    | 2    | 125670005/1 | Washer       |                             |
| 7    | 2    | 112001000/0 | Benzing Ring |                             |
| 12   | 2    | 182000599/0 | Rimm         | 7,5"X8" FENGCHI             |
| 13   | 2    | 125590001/0 | Rear Tyre    | 18x850-8 CARLISLE           |
| 13   | 2    | 125590022/0 | Tyre         | 18X8.50-8 PR2 TL P519 WANDA |
| 14   | 2    | 125950000/0 | Valve        |                             |
| 15   | 2    | 125670005/1 | Washer       |                             |
| 16   | 2    | 112001010/0 | Benzing Ring |                             |
| 17   | 2    | 382110253/0 | Wheel Cover  |                             |
| 12   | 2    | 182000596/1 | Rimm         | 7,5"X8" STARCO              |





| Fig. | Q.ty | Part No     | Description     | Notes                   |
|------|------|-------------|-----------------|-------------------------|
| 2    | 2    | 182000598/0 | Rimm            | 4"X6" FENGCHI           |
| 3    | 4    | 125122200/2 | Bearing         |                         |
| 4    | 2    | 125590018/0 | Tyre            | 13X5.00-6 CARLISLE      |
| 4    | 2    | 125590019/0 | Tyre            | 15X6.00-6 P 512 Version |
| 4    | 2    | 125590020/0 | Tyre            | 15X6.00-6 PR2           |
| 5    | 2    | 125950000/0 | Valve           |                         |
| 6    | 2    | 125670005/1 | Washer          |                         |
| 7    | 2    | 112001000/0 | Benzing Ring    |                         |
| 8    | 2    | 382110274/0 | Wheel Cover     | Standard Grey Cover     |
| 12   | 2    | 182000599/0 | Rimm            | 7,5"X8" FENGCHI         |
| 13   | 2    | 125590022/0 | Tyre            | 18x850-8 P 519 Version  |
| 14   | 2    | 125950000/0 | Valve           |                         |
| 15   | 2    | 125670005/1 | Washer          |                         |
| 16   | 2    | 112001010/0 | Benzing Ring    |                         |
| 17   | 2    | 382110275/0 | Rear Wheel Deck | Standard Grey Cover     |
| 12   | 2    | 182000596/1 | Rimm            | 7,5"X8" STARCO          |
| 2    | 2    | 182000595/1 | Rimm            | 4"X6" STARCO            |
| 13   | 2    | 125590001/0 | Rear Tyre       | 18x850-8 CARLISLE       |
| 4    | 2    | 125590000/0 | Front Tyre      | 13X5.00-6 CARLISLE      |
| 4    | 2    | 127590051/0 | Tyre            | P 512 Version           |

| code         | pos. | q.ty | page  |             |     |   |       |             |    |   |       |  |
|--------------|------|------|-------|-------------|-----|---|-------|-------------|----|---|-------|--|
| 1134-5827-01 | 4    | 1    | p. 35 | 112154510/0 | 55  | 1 | p. 27 | 112292102/0 | 14 | 1 | p. 67 |  |
| 1134-5827-01 | 6    | 1    | p. 33 | 112154510/0 | 79  | 4 | p. 57 | 112292102/0 | 14 | 1 | p. 71 |  |
| 1134-5827-01 | 12   | 1    | p. 31 | 112154510/0 | 80  | 2 | p. 71 | 112292102/0 | 16 | 5 | p. 3  |  |
| 9400-0384-01 | 37   | 1    | p. 75 | 112154510/0 | 85  | 1 | p. 65 | 112292102/0 | 16 | 5 | p. 7  |  |
| 82000507/0   | 41   | 1    | p. 71 | 112154510/0 | 85  | 1 | p. 69 | 112292102/0 | 19 | 6 | p. 3  |  |
| 112000930/0  | 34   | 2    | p. 61 | 112155000/0 | 7   | 1 | p. 23 | 112292102/0 | 19 | 6 | p. 7  |  |
| 112000955/0  | 47   | 2    | p. 67 | 112155000/0 | 7   | 1 | p. 25 | 112292102/0 | 24 | 4 | p. 3  |  |
| 112000955/0  | 47   | 2    | p. 71 | 112155000/0 | 7   | 1 | p. 27 | 112292102/0 | 24 | 4 | p. 7  |  |
| 112000955/0  | 53   | 2    | p. 67 | 112155000/0 | 8   | 1 | p. 51 | 112292102/0 | 26 | 2 | p. 3  |  |
| 112000955/0  | 53   | 2    | p. 71 | 112155000/0 | 9   | 1 | p. 23 | 112292102/0 | 26 | 2 | p. 7  |  |
| 112000956/0  | 63   | 2    | p. 67 | 112155000/0 | 9   | 1 | p. 25 | 112292102/0 | 28 | 3 | p. 59 |  |
| 112000956/0  | 63   | 2    | p. 71 | 112155000/0 | 9   | 1 | p. 27 | 112292102/0 | 63 | 2 | p. 27 |  |
| 112001000/0  | 7    | 2    | p. 87 | 112155000/0 | 12  | 1 | p. 51 | 112292102/0 | 63 | 2 | p. 31 |  |
| 112001000/0  | 7    | 2    | p. 89 | 112155000/0 | 20  | 2 | p. 51 | 112292102/0 | 63 | 2 | p. 33 |  |
| 112001000/0  | 46   | 1    | p. 15 | 112155000/0 | 23  | 3 | p. 15 | 112292102/0 | 63 | 2 | p. 35 |  |
| 112001000/0  | 46   | 1    | p. 19 | 112155000/0 | 23  | 3 | p. 19 | 112292102/0 | 63 | 2 | p. 37 |  |
| 112001010/0  | 16   | 2    | p. 85 | 112155000/0 | 24  | 3 | p. 79 | 112292102/0 | 63 | 2 | p. 43 |  |
| 112001010/0  | 16   | 2    | p. 87 | 112155000/0 | 27  | 2 | p. 51 | 112292102/0 | 63 | 2 | p. 45 |  |
| 112001010/0  | 16   | 2    | p. 89 | 112155000/0 | 28  | 1 | p. 23 | 112292102/0 | 64 | 4 | p. 3  |  |
| 112139100/0  | 19   | 2    | p. 61 | 112155000/0 | 28  | 1 | p. 25 | 112292102/0 | 64 | 4 | p. 7  |  |
| 112139480/0  | 22   | 3    | p. 59 | 112155000/0 | 28  | 1 | p. 27 | 112292102/0 | 82 | 2 | p. 29 |  |
| 112154210/0  | 5    | 1    | p. 43 | 112155000/0 | 37  | 2 | p. 55 | 112293200/0 | 14 | 2 | p. 51 |  |
| 112154210/0  | 8    | 4    | p. 39 | 112155000/0 | 44  | 1 | p. 59 | 112293200/0 | 20 | 1 | p. 59 |  |
| 112154210/0  | 9    | 1    | p. 31 | 112155000/0 | 44  | 2 | p. 55 | 112293200/0 | 36 | 1 | p. 3  |  |
| 112154210/0  | 9    | 3    | p. 45 | 112155000/0 | 45  | 1 | p. 15 | 112293200/0 | 36 | 1 | p. 7  |  |
| 112154210/0  | 9    | 4    | p. 41 | 112155000/0 | 45  | 1 | p. 19 | 112293200/0 | 66 | 2 | p. 55 |  |
| 112154210/0  | 10   | 1    | p. 33 | 112155000/0 | 47  | 2 | p. 55 | 112293201/0 | 3  | 4 | p. 59 |  |
| 112154210/0  | 10   | 1    | p. 35 | 112155000/0 | 48  | 1 | p. 51 | 112293201/0 | 5  | 6 | p. 65 |  |
| 112154210/0  | 11   | 3    | p. 33 | 112155000/0 | 56  | 1 | p. 51 | 112293201/0 | 5  | 6 | p. 67 |  |
| 112154210/0  | 12   | 3    | p. 35 | 112155000/0 | 69  | 1 | p. 27 | 112293201/0 | 5  | 6 | p. 71 |  |
| 112154210/0  | 15   | 1    | p. 45 | 112155000/0 | 104 | 2 | p. 5  | 112293201/0 | 8  | 4 | p. 3  |  |
| 112154210/0  | 17   | 6    | p. 61 | 112155000/0 | 104 | 2 | p. 9  | 112293201/0 | 8  | 4 | p. 7  |  |
| 112154210/0  | 24   | 3    | p. 31 | 112155000/0 | 105 | 2 | p. 5  | 112293201/0 | 13 | 1 | p. 41 |  |
| 112154210/0  | 44   | 4    | p. 51 | 112155000/0 | 105 | 2 | p. 9  | 112293201/0 | 14 | 4 | p. 45 |  |
| 112154330/0  | 3    | 2    | p. 77 | 112155010/0 | 84  | 2 | p. 5  | 112293201/0 | 16 | 4 | p. 41 |  |
| 112154330/0  | 51   | 1    | p. 67 | 112155010/0 | 84  | 2 | p. 9  | 112293201/0 | 18 | 4 | p. 59 |  |
| 112154330/0  | 51   | 1    | p. 71 | 112156602/0 | 30  | 1 | p. 15 | 112293201/0 | 19 | 2 | p. 55 |  |
| 112154330/0  | 78   | 2    | p. 29 | 112156602/0 | 30  | 1 | p. 19 | 112293201/0 | 30 | 2 | p. 61 |  |
| 112154330/0  | 92   | 1    | p. 5  | 112156602/0 | 34  | 4 | p. 15 | 112293201/0 | 35 | 2 | p. 11 |  |
| 112154330/0  | 92   | 1    | p. 9  | 112156602/0 | 34  | 4 | p. 19 | 112293201/0 | 35 | 2 | p. 13 |  |
| 112154330/0  | 96   | 2    | p. 5  | 112156602/0 | 40  | 2 | p. 55 | 112293201/0 | 38 | 2 | p. 3  |  |
| 112154330/0  | 96   | 2    | p. 9  | 112156602/0 | 42  | 2 | p. 15 | 112293201/0 | 38 | 2 | p. 7  |  |
| 112154510/0  | 6    | 2    | p. 79 | 112156602/0 | 42  | 2 | p. 19 | 112293201/0 | 51 | 1 | p. 51 |  |
| 112154510/0  | 13   | 2    | p. 27 | 112156602/0 | 42  | 2 | p. 55 | 112293201/0 | 60 | 2 | p. 23 |  |
| 112154510/0  | 13   | 4    | p. 3  | 112156602/0 | 58  | 2 | p. 55 | 112293201/0 | 60 | 2 | p. 25 |  |
| 112154510/0  | 13   | 4    | p. 7  | 112157000/0 | 90  | 1 | p. 73 | 112293201/0 | 65 | 4 | p. 67 |  |
| 112154510/0  | 18   | 4    | p. 15 | 112280100/0 | 12  | 2 | p. 47 | 112293201/0 | 65 | 4 | p. 71 |  |
| 112154510/0  | 18   | 4    | p. 19 | 112280100/0 | 12  | 2 | p. 49 | 112293201/0 | 68 | 1 | p. 21 |  |
| 112154510/0  | 24   | 2    | p. 23 | 112290791/0 | 65  | 2 | p. 23 | 112293201/0 | 74 | 2 | p. 3  |  |
| 112154510/0  | 24   | 2    | p. 25 | 112290791/0 | 65  | 2 | p. 53 | 112293201/0 | 74 | 2 | p. 7  |  |
| 112154510/0  | 24   | 2    | p. 27 | 112290800/0 | 28  | 1 | p. 47 | 112293201/0 | 79 | 2 | p. 3  |  |
| 112154510/0  | 44   | 1    | p. 3  | 112290800/0 | 28  | 1 | p. 49 | 112293201/0 | 79 | 2 | p. 7  |  |
| 112154510/0  | 44   | 1    | p. 7  | 112290800/0 | 46  | 1 | p. 31 | 112295200/0 | 4  | 2 | p. 3  |  |
| 112154510/0  | 44   | 4    | p. 67 | 112290800/0 | 46  | 1 | p. 33 | 112295200/0 | 4  | 2 | p. 7  |  |
| 112154510/0  | 44   | 4    | p. 71 | 112290800/0 | 46  | 1 | p. 35 | 112295200/0 | 39 | 4 | p. 55 |  |
| 112154510/0  | 48   | 4    | p. 23 | 112290800/0 | 46  | 1 | p. 37 | 112295200/0 | 60 | 2 | p. 55 |  |
| 112154510/0  | 48   | 4    | p. 25 | 112290800/0 | 46  | 1 | p. 39 | 112295800/0 | 51 | 1 | p. 15 |  |
| 112154510/0  | 48   | 4    | p. 27 | 112290800/0 | 46  | 1 | p. 41 | 112295800/0 | 51 | 1 | p. 19 |  |
| 112154510/0  | 52   | 1    | p. 23 | 112290800/0 | 46  | 1 | p. 43 | 112360352/0 | 64 | 2 | p. 31 |  |
| 112154510/0  | 52   | 1    | p. 25 | 112290800/0 | 46  | 1 | p. 45 | 112360352/0 | 64 | 2 | p. 33 |  |
| 112154510/0  | 52   | 1    | p. 27 | 112290800/0 | 75  | 1 | p. 29 | 112360352/0 | 64 | 2 | p. 35 |  |
| 112154510/0  | 54   | 2    | p. 61 | 112292100/0 | 66  | 2 | p. 39 | 112360352/0 | 64 | 2 | p. 37 |  |
| 112154510/0  | 55   | 1    | p. 23 | 112292100/0 | 66  | 2 | p. 41 | 112360352/0 | 64 | 2 | p. 43 |  |
| 112154510/0  | 55   | 1    | p. 25 | 112292100/0 | 81  | 4 | p. 65 | 112360352/0 | 64 | 2 | p. 45 |  |
|              |      |      |       | 112292100/0 | 81  | 4 | p. 67 | 112360420/0 | 21 | 2 | p. 3  |  |
|              |      |      |       | 112292102/0 | 14  | 1 | p. 65 | 112360420/0 | 21 | 2 | p. 7  |  |

| code        | pos. | q.ty | page  |             |    |   |       |             |    |   |       |  |
|-------------|------|------|-------|-------------|----|---|-------|-------------|----|---|-------|--|
| 112360425/0 | 8    | 3    | p. 47 | 112521370/0 | 6  | 1 | p. 19 | 112540260/0 | 33 | 2 | p. 45 |  |
| 112360425/0 | 8    | 3    | p. 49 | 112521390/0 | 28 | 1 | p. 15 | 112543000/0 | 3  | 1 | p. 51 |  |
| 112360425/0 | 17   | 2    | p. 31 | 112521390/0 | 28 | 1 | p. 19 | 112581100/0 | 64 | 2 | p. 23 |  |
| 112360425/0 | 17   | 2    | p. 37 | 112521390/0 | 49 | 2 | p. 15 | 112581100/0 | 64 | 2 | p. 53 |  |
| 112360425/0 | 34   | 2    | p. 33 | 112521390/0 | 49 | 2 | p. 19 | 112582100/0 | 18 | 3 | p. 35 |  |
| 112360425/0 | 34   | 2    | p. 35 | 112521410/0 | 75 | 4 | p. 53 | 112582100/0 | 65 | 2 | p. 39 |  |
| 112360425/0 | 34   | 2    | p. 39 | 112523020/0 | 38 | 1 | p. 23 | 112582100/0 | 65 | 2 | p. 41 |  |
| 112360425/0 | 34   | 2    | p. 43 | 112523040/0 | 12 | 2 | p. 27 | 112582101/0 | 80 | 4 | p. 65 |  |
| 112360425/0 | 34   | 2    | p. 45 | 112523040/0 | 12 | 4 | p. 3  | 112582101/0 | 80 | 4 | p. 67 |  |
| 112360425/0 | 35   | 2    | p. 41 | 112523040/0 | 12 | 4 | p. 7  | 112582101/0 | 85 | 2 | p. 11 |  |
| 112369500/0 | 54   | 1    | p. 51 | 112523040/0 | 23 | 1 | p. 23 | 112582101/0 | 85 | 2 | p. 13 |  |
| 112379511/0 | 37   | 2    | p. 15 | 112523040/0 | 23 | 1 | p. 25 | 112583500/0 | 5  | 2 | p. 31 |  |
| 112379511/0 | 37   | 2    | p. 19 | 112523040/0 | 23 | 1 | p. 27 | 112583500/0 | 5  | 2 | p. 37 |  |
| 112400030/0 | 24   | 1    | p. 65 | 112523040/0 | 32 | 1 | p. 25 | 112583500/0 | 12 | 1 | p. 15 |  |
| 112400030/0 | 24   | 1    | p. 67 | 112523040/0 | 32 | 1 | p. 27 | 112583500/0 | 12 | 1 | p. 19 |  |
| 112400030/0 | 24   | 1    | p. 71 | 112523040/0 | 47 | 4 | p. 23 | 112583500/0 | 12 | 2 | p. 59 |  |
| 112436030/0 | 7    | 1    | p. 15 | 112523040/0 | 47 | 4 | p. 25 | 112583500/0 | 13 | 2 | p. 33 |  |
| 112436030/0 | 7    | 1    | p. 19 | 112523040/0 | 47 | 4 | p. 27 | 112583500/0 | 13 | 2 | p. 43 |  |
| 112436050/0 | 55   | 7    | p. 55 | 112523040/0 | 51 | 1 | p. 23 | 112583500/0 | 14 | 4 | p. 83 |  |
| 112437502/0 | 99   | 2    | p. 5  | 112523040/0 | 51 | 1 | p. 25 | 112583500/0 | 15 | 2 | p. 47 |  |
| 112437502/0 | 99   | 2    | p. 9  | 112523040/0 | 51 | 1 | p. 27 | 112583500/0 | 15 | 2 | p. 49 |  |
| 112500030/0 | 3    | 2    | p. 63 | 112523040/0 | 54 | 1 | p. 23 | 112583500/0 | 16 | 4 | p. 35 |  |
| 112500030/0 | 4    | 2    | p. 61 | 112523040/0 | 54 | 1 | p. 25 | 112583500/0 | 20 | 2 | p. 31 |  |
| 112500092/0 | 54   | 2    | p. 31 | 112523040/0 | 54 | 1 | p. 27 | 112583500/0 | 20 | 2 | p. 37 |  |
| 112500092/0 | 54   | 2    | p. 33 | 112523040/0 | 78 | 4 | p. 57 | 112583500/0 | 25 | 1 | p. 59 |  |
| 112500092/0 | 54   | 2    | p. 35 | 112523060/0 | 4  | 6 | p. 65 | 112583500/0 | 34 | 1 | p. 59 |  |
| 112500092/0 | 54   | 2    | p. 37 | 112523060/0 | 4  | 6 | p. 67 | 112583500/0 | 37 | 2 | p. 33 |  |
| 112500092/0 | 54   | 2    | p. 39 | 112523060/0 | 4  | 6 | p. 71 | 112583500/0 | 37 | 2 | p. 35 |  |
| 112500092/0 | 54   | 2    | p. 41 | 112523060/0 | 11 | 1 | p. 51 | 112583500/0 | 37 | 2 | p. 39 |  |
| 112500092/0 | 54   | 2    | p. 43 | 112523060/0 | 13 | 1 | p. 15 | 112583500/0 | 37 | 2 | p. 43 |  |
| 112500092/0 | 54   | 2    | p. 45 | 112523060/0 | 13 | 1 | p. 19 | 112583500/0 | 37 | 2 | p. 45 |  |
| 112521320/0 | 2    | 2    | p. 77 | 112523060/0 | 19 | 1 | p. 51 | 112583500/0 | 38 | 2 | p. 41 |  |
| 112521320/0 | 95   | 4    | p. 5  | 112523060/0 | 22 | 3 | p. 15 | 112583500/0 | 47 | 1 | p. 59 |  |
| 112521320/0 | 95   | 4    | p. 9  | 112523060/0 | 22 | 3 | p. 19 | 112585100/0 | 3  | 2 | p. 3  |  |
| 112521330/0 | 38   | 2    | p. 11 | 112523060/0 | 26 | 2 | p. 51 | 112585100/0 | 3  | 2 | p. 7  |  |
| 112521330/0 | 38   | 2    | p. 13 | 112523060/0 | 29 | 2 | p. 61 | 112587900/0 | 50 | 1 | p. 15 |  |
| 112521330/0 | 63   | 2    | p. 3  | 112523060/0 | 43 | 1 | p. 59 | 112587900/0 | 50 | 1 | p. 19 |  |
| 112521330/0 | 63   | 2    | p. 7  | 112523060/0 | 67 | 1 | p. 27 | 112604896/0 | 41 | 6 | p. 3  |  |
| 112521330/0 | 63   | 2    | p. 39 | 112523070/0 | 46 | 1 | p. 59 | 112604896/0 | 41 | 6 | p. 7  |  |
| 112521330/0 | 63   | 2    | p. 41 | 112523070/0 | 75 | 2 | p. 3  | 112604896/0 | 58 | 1 | p. 51 |  |
| 112521330/0 | 64   | 2    | p. 39 | 112523070/0 | 75 | 2 | p. 7  | 112604897/0 | 89 | 2 | p. 5  |  |
| 112521330/0 | 64   | 2    | p. 41 | 112523080/0 | 27 | 1 | p. 15 | 112604897/0 | 89 | 2 | p. 9  |  |
| 112521330/0 | 79   | 2    | p. 71 | 112523080/0 | 27 | 1 | p. 19 | 112604899/0 | 9  | 1 | p. 55 |  |
| 112521331/0 | 86   | 6    | p. 11 | 112523080/0 | 29 | 1 | p. 15 | 112609200/0 | 8  | 2 | p. 59 |  |
| 112521331/0 | 86   | 6    | p. 13 | 112523080/0 | 29 | 1 | p. 19 | 112609255/0 | 49 | 2 | p. 55 |  |
| 112521350/0 | 6    | 1    | p. 23 | 112523090/0 | 62 | 2 | p. 55 | 112609260/0 | 15 | 2 | p. 61 |  |
| 112521350/0 | 6    | 1    | p. 25 | 112540070/0 | 16 | 4 | p. 47 | 112610800/0 | 7  | 2 | p. 59 |  |
| 112521350/0 | 6    | 1    | p. 27 | 112540070/0 | 16 | 4 | p. 49 | 112620206/0 | 16 | 2 | p. 55 |  |
| 112521350/0 | 11   | 2    | p. 59 | 112540260/0 | 6  | 1 | p. 39 | 112620250/0 | 10 | 1 | p. 15 |  |
| 112521350/0 | 12   | 2    | p. 41 | 112540260/0 | 7  | 1 | p. 43 | 112620250/0 | 10 | 1 | p. 19 |  |
| 112521350/0 | 17   | 4    | p. 59 | 112540260/0 | 8  | 1 | p. 31 | 112620299/0 | 7  | 1 | p. 83 |  |
| 112521350/0 | 19   | 1    | p. 47 | 112540260/0 | 9  | 1 | p. 33 | 112674701/0 | 83 | 2 | p. 11 |  |
| 112521350/0 | 19   | 1    | p. 49 | 112540260/0 | 9  | 1 | p. 35 | 112674701/0 | 83 | 2 | p. 13 |  |
| 112521350/0 | 36   | 4    | p. 55 | 112540260/0 | 10 | 2 | p. 47 | 112689515/0 | 5  | 2 | p. 79 |  |
| 112521350/0 | 46   | 2    | p. 55 | 112540260/0 | 10 | 2 | p. 49 | 112691100/0 | 6  | 1 | p. 3  |  |
| 112521350/0 | 47   | 2    | p. 51 | 112540260/0 | 11 | 1 | p. 45 | 112691100/0 | 6  | 1 | p. 7  |  |
| 112521350/0 | 54   | 2    | p. 55 | 112540260/0 | 11 | 1 | p. 45 | 112691100/0 | 6  | 1 | p. 7  |  |
| 112521360/0 | 8    | 2    | p. 23 | 112540260/0 | 15 | 2 | p. 31 | 112691100/0 | 8  | 3 | p. 33 |  |
| 112521360/0 | 8    | 2    | p. 25 | 112540260/0 | 15 | 2 | p. 37 | 112691100/0 | 8  | 3 | p. 45 |  |
| 112521360/0 | 8    | 2    | p. 27 | 112540260/0 | 15 | 2 | p. 37 | 112691100/0 | 8  | 3 | p. 45 |  |
| 112521360/0 | 53   | 1    | p. 23 | 112540260/0 | 17 | 1 | p. 41 | 112691100/0 | 11 | 3 | p. 35 |  |
| 112521360/0 | 53   | 1    | p. 25 | 112540260/0 | 21 | 3 | p. 47 | 112691100/0 | 21 | 3 | p. 15 |  |
| 112521360/0 | 53   | 1    | p. 27 | 112540260/0 | 21 | 3 | p. 49 | 112691100/0 | 21 | 3 | p. 19 |  |
| 112521370/0 | 6    | 1    | p. 15 | 112540260/0 | 33 | 2 | p. 33 | 112691100/0 | 25 | 3 | p. 31 |  |
|             |      |      |       | 112540260/0 | 33 | 2 | p. 35 | 112691100/0 | 66 | 1 | p. 27 |  |
|             |      |      |       | 112540260/0 | 33 | 2 | p. 39 | 112691100/0 | 66 | 1 | p. 27 |  |
|             |      |      |       | 112540260/0 | 33 | 2 | p. 41 | 112691115/0 | 6  | 1 | p. 43 |  |
|             |      |      |       | 112540260/0 | 33 | 2 | p. 43 | 112691115/0 | 7  | 1 | p. 31 |  |
|             |      |      |       | 112540260/0 | 33 | 2 | p. 43 | 112691115/0 | 7  | 4 | p. 39 |  |

| code        | pos. | q.ty | page  |             |     |   |       |             |    |   |       |  |
|-------------|------|------|-------|-------------|-----|---|-------|-------------|----|---|-------|--|
| 112691115/0 | 8    | 1    | p. 35 | 112731601/0 | 4   | 4 | p. 25 | 112791011/0 | 23 | 4 | p. 7  |  |
| 112691115/0 | 10   | 1    | p. 45 | 112731601/0 | 4   | 4 | p. 27 | 112791011/0 | 62 | 2 | p. 31 |  |
| 112691115/0 | 11   | 1    | p. 41 | 112734995/0 | 103 | 4 | p. 11 | 112791011/0 | 62 | 2 | p. 33 |  |
| 112691115/0 | 15   | 1    | p. 33 | 112734995/0 | 103 | 4 | p. 13 | 112791011/0 | 62 | 2 | p. 35 |  |
| 112691115/0 | 24   | 1    | p. 51 | 112735105/0 | 2   | 3 | p. 75 | 112791011/0 | 62 | 2 | p. 37 |  |
| 112691200/0 | 16   | 3    | p. 59 | 112735108/0 | 8   | 3 | p. 45 | 112791011/0 | 62 | 2 | p. 43 |  |
| 112691200/0 | 46   | 1    | p. 51 | 112735108/1 | 4   | 3 | p. 43 | 112791011/0 | 62 | 2 | p. 45 |  |
| 112691200/0 | 67   | 1    | p. 21 | 112735108/1 | 7   | 4 | p. 37 | 112791213/1 | 17 | 4 | p. 15 |  |
| 112691400/0 | 25   | 1    | p. 51 | 112735110/0 | 14  | 2 | p. 11 | 112791213/1 | 17 | 4 | p. 19 |  |
| 112691700/0 | 15   | 1    | p. 59 | 112735110/0 | 14  | 2 | p. 13 | 112791400/0 | 17 | 3 | p. 35 |  |
| 112691700/0 | 35   | 2    | p. 55 | 112735110/0 | 15  | 4 | p. 11 | 112791400/0 | 81 | 2 | p. 29 |  |
| 112691700/0 | 44   | 1    | p. 15 | 112735110/0 | 15  | 4 | p. 13 | 112791500/0 | 62 | 2 | p. 39 |  |
| 112691800/0 | 11   | 1    | p. 15 | 112735110/0 | 30  | 6 | p. 59 | 112791500/0 | 62 | 2 | p. 41 |  |
| 112691800/0 | 11   | 1    | p. 19 | 112735110/0 | 66  | 2 | p. 23 | 112792099/0 | 78 | 4 | p. 65 |  |
| 112691800/0 | 42   | 4    | p. 51 | 112735110/0 | 66  | 2 | p. 53 | 112792099/0 | 78 | 4 | p. 67 |  |
| 112692000/0 | 6    | 1    | p. 51 | 112735110/0 | 98  | 2 | p. 5  | 112792099/0 | 84 | 1 | p. 65 |  |
| 112692050/0 | 28   | 2    | p. 61 | 112735110/0 | 98  | 2 | p. 9  | 112792099/0 | 84 | 1 | p. 69 |  |
| 112692395/0 | 26   | 1    | p. 15 | 112735120/0 | 49  | 2 | p. 51 | 112792611/0 | 2  | 4 | p. 59 |  |
| 112692395/0 | 26   | 1    | p. 19 | 112735122/0 | 15  | 1 | p. 65 | 112792611/0 | 14 | 2 | p. 47 |  |
| 112692395/0 | 44   | 1    | p. 19 | 112735122/0 | 15  | 1 | p. 67 | 112792611/0 | 14 | 2 | p. 49 |  |
| 112694100/0 | 48   | 1    | p. 15 | 112735122/0 | 15  | 1 | p. 71 | 112792611/0 | 18 | 1 | p. 47 |  |
| 112694100/0 | 48   | 1    | p. 19 | 112735170/0 | 47  | 1 | p. 75 | 112792611/0 | 18 | 1 | p. 49 |  |
| 112714300/0 | 4    | 1    | p. 15 | 112735170/0 | 47  | 1 | p. 77 | 112792611/0 | 18 | 2 | p. 55 |  |
| 112714300/0 | 4    | 1    | p. 19 | 112735402/0 | 72  | 4 | p. 11 | 112792611/0 | 19 | 2 | p. 31 |  |
| 112726388/0 | 27   | 1    | p. 47 | 112735402/0 | 72  | 4 | p. 13 | 112792611/0 | 19 | 2 | p. 37 |  |
| 112726388/0 | 27   | 1    | p. 49 | 112735403/0 | 8   | 6 | p. 11 | 112792611/0 | 36 | 2 | p. 33 |  |
| 112726388/0 | 45   | 1    | p. 31 | 112735403/0 | 8   | 6 | p. 13 | 112792611/0 | 36 | 2 | p. 35 |  |
| 112726388/0 | 45   | 1    | p. 33 | 112735403/0 | 107 | 5 | p. 11 | 112792611/0 | 36 | 2 | p. 39 |  |
| 112726388/0 | 45   | 1    | p. 35 | 112735403/0 | 107 | 5 | p. 13 | 112792611/0 | 36 | 2 | p. 43 |  |
| 112726388/0 | 45   | 1    | p. 37 | 112735404/0 | 58  | 1 | p. 23 | 112792611/0 | 36 | 2 | p. 45 |  |
| 112726388/0 | 45   | 1    | p. 39 | 112735404/0 | 58  | 1 | p. 25 | 112792611/0 | 37 | 2 | p. 41 |  |
| 112726388/0 | 45   | 1    | p. 41 | 112735405/0 | 76  | 1 | p. 79 | 112792611/0 | 50 | 1 | p. 51 |  |
| 112726388/0 | 45   | 1    | p. 43 | 112735530/0 | 6   | 2 | p. 31 | 112792611/0 | 62 | 4 | p. 3  |  |
| 112726388/0 | 45   | 1    | p. 45 | 112735530/0 | 12  | 2 | p. 43 | 112792611/0 | 62 | 4 | p. 7  |  |
| 112726389/0 | 74   | 1    | p. 29 | 112735530/0 | 14  | 2 | p. 33 | 112792611/0 | 78 | 2 | p. 3  |  |
| 112727795/0 | 50   | 1    | p. 67 | 112735530/0 | 15  | 4 | p. 35 | 112792611/0 | 78 | 2 | p. 7  |  |
| 112727795/0 | 50   | 1    | p. 71 | 112735599/0 | 5   | 1 | p. 39 | 112793102/0 | 3  | 6 | p. 65 |  |
| 112727815/0 | 35   | 1    | p. 25 | 112735599/0 | 8   | 1 | p. 37 | 112793102/0 | 3  | 6 | p. 67 |  |
| 112727815/0 | 35   | 1    | p. 27 | 112735602/0 | 63  | 2 | p. 23 | 112793102/0 | 3  | 6 | p. 71 |  |
| 112728440/0 | 17   | 4    | p. 11 | 112735602/0 | 63  | 2 | p. 51 | 112793102/0 | 7  | 3 | p. 3  |  |
| 112728440/0 | 17   | 4    | p. 13 | 112735661/0 | 43  | 1 | p. 3  | 112793102/0 | 7  | 3 | p. 7  |  |
| 112728450/0 | 28   | 2    | p. 65 | 112735661/0 | 43  | 1 | p. 7  | 112793102/0 | 9  | 3 | p. 47 |  |
| 112728450/0 | 28   | 2    | p. 67 | 112735696/0 | 24  | 1 | p. 61 | 112793102/0 | 9  | 3 | p. 49 |  |
| 112728450/0 | 28   | 2    | p. 71 | 112735697/1 | 25  | 1 | p. 61 | 112793102/0 | 10 | 2 | p. 59 |  |
| 112728510/0 | 25   | 1    | p. 65 | 112735821/0 | 17  | 4 | p. 47 | 112793102/0 | 13 | 4 | p. 83 |  |
| 112728510/0 | 25   | 1    | p. 67 | 112735821/0 | 17  | 4 | p. 49 | 112793102/0 | 14 | 2 | p. 31 |  |
| 112728510/0 | 25   | 1    | p. 71 | 112737320/0 | 2   | 1 | p. 51 | 112793102/0 | 14 | 2 | p. 37 |  |
| 112729601/1 | 9    | 2    | p. 15 | 112737450/0 | 6   | 2 | p. 37 | 112793102/0 | 22 | 3 | p. 47 |  |
| 112729601/1 | 9    | 2    | p. 19 | 112760520/0 | 23  | 3 | p. 79 | 112793102/0 | 22 | 3 | p. 49 |  |
| 112729601/1 | 79   | 4    | p. 65 | 112788800/0 | 89  | 1 | p. 73 | 112793102/0 | 23 | 1 | p. 59 |  |
| 112729601/1 | 79   | 4    | p. 67 | 112788910/0 | 53  | 2 | p. 31 | 112793102/0 | 32 | 1 | p. 59 |  |
| 112729601/1 | 84   | 4    | p. 11 | 112788910/0 | 53  | 2 | p. 33 | 112793102/0 | 32 | 2 | p. 33 |  |
| 112729601/1 | 84   | 4    | p. 13 | 112788910/0 | 53  | 2 | p. 35 | 112793102/0 | 32 | 2 | p. 35 |  |
| 112731350/0 | 37   | 2    | p. 11 | 112788910/0 | 53  | 2 | p. 37 | 112793102/0 | 32 | 2 | p. 39 |  |
| 112731350/0 | 37   | 2    | p. 13 | 112788910/0 | 53  | 2 | p. 39 | 112793102/0 | 32 | 2 | p. 41 |  |
| 112731350/0 | 65   | 2    | p. 3  | 112788910/0 | 53  | 2 | p. 41 | 112793102/0 | 32 | 2 | p. 43 |  |
| 112731350/0 | 65   | 2    | p. 7  | 112788910/0 | 53  | 2 | p. 43 | 112793102/0 | 32 | 2 | p. 45 |  |
| 112731580/0 | 35   | 1    | p. 3  | 112788910/0 | 53  | 2 | p. 45 | 112793102/0 | 37 | 2 | p. 3  |  |
| 112731580/0 | 35   | 1    | p. 7  | 112789000/0 | 91  | 1 | p. 5  | 112793102/0 | 37 | 2 | p. 7  |  |
| 112731580/0 | 82   | 1    | p. 3  | 112789000/0 | 91  | 1 | p. 9  | 112793102/0 | 45 | 1 | p. 59 |  |
| 112731580/0 | 82   | 1    | p. 9  | 112789100/0 | 77  | 1 | p. 29 | 112793102/0 | 53 | 1 | p. 51 |  |
| 112731580/0 | 105  | 4    | p. 11 | 112791011/0 | 15  | 5 | p. 3  | 112793102/0 | 59 | 2 | p. 23 |  |
| 112731580/0 | 105  | 4    | p. 13 | 112791011/0 | 15  | 5 | p. 7  | 112793102/0 | 59 | 2 | p. 25 |  |
| 112731601/0 | 4    | 4    | p. 23 | 112791011/0 | 18  | 6 | p. 3  | 112793900/0 | 19 | 1 | p. 59 |  |
|             |      |      |       | 112791011/0 | 18  | 6 | p. 7  | 112794980/0 | 59 | 2 | p. 55 |  |
|             |      |      |       | 112791011/0 | 23  | 4 | p. 3  | 112815050/0 | 94 | 2 | p. 5  |  |



| code        | pos. | q.ty | page  |             |     |   |       |             |    |   |       |  |
|-------------|------|------|-------|-------------|-----|---|-------|-------------|----|---|-------|--|
| 125109521/1 | 28   | 2    | p. 51 | 125430252/0 | 20  | 1 | p. 49 | 125600041/0 | 21 | 1 | p. 67 |  |
| 125110260/2 | 64   | 1    | p. 11 | 125430257/1 | 71  | 2 | p. 3  | 125600041/0 | 21 | 1 | p. 71 |  |
| 125110260/2 | 64   | 1    | p. 13 | 125430257/1 | 71  | 2 | p. 7  | 125600042/0 | 22 | 1 | p. 65 |  |
| 125110270/0 | 63   | 1    | p. 11 | 125430285/0 | 90  | 1 | p. 5  | 125600042/0 | 22 | 1 | p. 67 |  |
| 125110270/0 | 63   | 1    | p. 13 | 125430285/0 | 90  | 1 | p. 9  | 125600042/0 | 22 | 1 | p. 71 |  |
| 125120200/0 | 18   | 2    | p. 11 | 125463200/0 | 18  | 2 | p. 61 | 125600048/0 | 27 | 1 | p. 65 |  |
| 125120200/0 | 18   | 2    | p. 13 | 125510000/0 | 87  | 1 | p. 5  | 125600048/0 | 27 | 1 | p. 67 |  |
| 125122200/2 | 3    | 2    | p. 87 | 125510000/0 | 87  | 1 | p. 9  | 125600048/0 | 27 | 1 | p. 71 |  |
| 125122200/2 | 3    | 4    | p. 89 | 125510011/0 | 5   | 1 | p. 55 | 125600051/0 | 22 | 1 | p. 11 |  |
| 125160002/0 | 35   | 1    | p. 59 | 125510021/1 | 45  | 1 | p. 79 | 125600051/0 | 22 | 1 | p. 13 |  |
| 125160003/2 | 13   | 4    | p. 59 | 125510022/0 | 7   | 2 | p. 79 | 125601550/0 | 31 | 1 | p. 59 |  |
| 125160005/0 | 47   | 1    | p. 15 | 125510028/1 | 8   | 4 | p. 41 | 125601554/0 | 10 | 1 | p. 51 |  |
| 125160005/0 | 47   | 1    | p. 19 | 125510040/1 | 103 | 2 | p. 5  | 125601559/1 | 5  | 2 | p. 59 |  |
| 125160021/0 | 29   | 1    | p. 51 | 125510040/1 | 103 | 2 | p. 9  | 125601560/0 | 21 | 2 | p. 59 |  |
| 125160023/0 | 76   | 2    | p. 53 | 125510048/1 | 71  | 1 | p. 55 | 125601566/1 | 1  | 1 | p. 51 |  |
| 125160024/2 | 23   | 1    | p. 51 | 125510055/1 | 45  | 2 | p. 55 | 125605000/1 | 3  | 1 | p. 55 |  |
| 125160025/0 | 12   | 1    | p. 55 | 125510056/0 | 38  | 2 | p. 55 | 125670005/1 | 6  | 2 | p. 87 |  |
| 125160027/0 | 9    | 1    | p. 51 | 125510056/0 | 56  | 2 | p. 55 | 125670005/1 | 6  | 2 | p. 89 |  |
| 125160030/2 | 22   | 1    | p. 51 | 125510070/0 | 61  | 2 | p. 55 | 125670005/1 | 15 | 2 | p. 85 |  |
| 125160035/0 | 14   | 3    | p. 43 | 125510072/0 | 27  | 2 | p. 61 | 125670005/1 | 15 | 2 | p. 87 |  |
| 125160079/0 | 41   | 1    | p. 59 | 125510077/0 | 74  | 1 | p. 79 | 125670005/1 | 15 | 2 | p. 89 |  |
| 125160503/0 | 22   | 2    | p. 61 | 125510079/1 | 34  | 2 | p. 11 | 125670007/0 | 24 | 1 | p. 59 |  |
| 125253004/0 | 79   | 2    | p. 79 | 125510079/1 | 34  | 2 | p. 13 | 125670007/0 | 33 | 1 | p. 59 |  |
| 125260000/0 | 29   | 2    | p. 11 | 125510080/0 | 13  | 1 | p. 71 | 125690001/0 | 62 | 2 | p. 67 |  |
| 125260000/0 | 29   | 2    | p. 13 | 125510080/1 | 13  | 1 | p. 65 | 125690001/0 | 62 | 2 | p. 71 |  |
| 125290000/0 | 55   | 1    | p. 75 | 125510080/1 | 13  | 1 | p. 67 | 125722441/0 | 1  | 1 | p. 75 |  |
| 125290001/0 | 55   | 1    | p. 77 | 125510083/0 | 46  | 1 | p. 67 | 125722450/1 | 8  | 1 | p. 83 |  |
| 125318124/0 | 23   | 1    | p. 65 | 125510083/0 | 46  | 1 | p. 71 | 125722451/2 | 9  | 1 | p. 83 |  |
| 125318124/0 | 23   | 1    | p. 67 | 125510083/0 | 52  | 1 | p. 67 | 125722457/0 | 11 | 1 | p. 83 |  |
| 125318124/0 | 23   | 1    | p. 71 | 125510083/0 | 52  | 1 | p. 71 | 125722459/0 | 10 | 1 | p. 83 |  |
| 125394501/0 | 44   | 1    | p. 37 | 125510117/0 | 52  | 7 | p. 55 | 125722467/1 | 12 | 1 | p. 83 |  |
| 125394501/0 | 44   | 1    | p. 39 | 125510119/0 | 101 | 2 | p. 5  | 125722471/0 | 12 | 1 | p. 83 |  |
| 125394501/0 | 44   | 1    | p. 41 | 125510119/0 | 101 | 2 | p. 9  | 125735110/3 | 51 | 1 | p. 31 |  |
| 125394501/0 | 44   | 1    | p. 43 | 125510120/0 | 24  | 1 | p. 15 | 125735110/3 | 51 | 1 | p. 33 |  |
| 125394501/0 | 44   | 1    | p. 45 | 125510120/0 | 24  | 1 | p. 19 | 125735110/3 | 51 | 1 | p. 37 |  |
| 125394508/0 | 83   | 1    | p. 65 | 125510121/0 | 32  | 2 | p. 61 | 125735110/3 | 51 | 1 | p. 39 |  |
| 125394508/0 | 83   | 1    | p. 69 | 125510139/0 | 18  | 1 | p. 51 | 125735110/3 | 51 | 1 | p. 41 |  |
| 125394508/0 | 88   | 1    | p. 71 | 125519997/1 | 22  | 1 | p. 79 | 125735110/3 | 51 | 1 | p. 43 |  |
| 125394509/1 | 37   | 1    | p. 23 | 125520010/0 | 2   | 1 | p. 15 | 125735110/3 | 51 | 1 | p. 45 |  |
| 125420004/0 | 4    | 1    | p. 75 | 125520010/0 | 2   | 1 | p. 19 | 125795000/1 | 52 | 1 | p. 31 |  |
| 125420005/0 | 4    | 1    | p. 75 | 125570004/0 | 3   | 1 | p. 15 | 125795000/1 | 52 | 1 | p. 33 |  |
| 125420007/0 | 4    | 1    | p. 75 | 125570004/0 | 3   | 1 | p. 19 | 125795000/1 | 52 | 1 | p. 35 |  |
| 125430202/1 | 88   | 1    | p. 5  | 125580019/0 | 25  | 1 | p. 3  | 125795000/1 | 52 | 1 | p. 37 |  |
| 125430202/1 | 88   | 1    | p. 9  | 125580019/0 | 25  | 1 | p. 7  | 125795000/1 | 52 | 1 | p. 39 |  |
| 125430203/1 | 81   | 1    | p. 3  | 125580020/2 | 62  | 1 | p. 11 | 125795000/1 | 52 | 1 | p. 41 |  |
| 125430203/1 | 81   | 1    | p. 7  | 125580020/2 | 62  | 1 | p. 13 | 125795000/1 | 52 | 1 | p. 43 |  |
| 125430205/1 | 71   | 2    | p. 3  | 125590000/0 | 4   | 2 | p. 85 | 125795000/1 | 52 | 1 | p. 45 |  |
| 125430205/1 | 71   | 2    | p. 7  | 125590000/0 | 4   | 2 | p. 87 | 125840010/1 | 13 | 1 | p. 51 |  |
| 125430208/0 | 8    | 1    | p. 55 | 125590000/0 | 4   | 2 | p. 89 | 125840011/1 | 78 | 1 | p. 79 |  |
| 125430210/1 | 16   | 1    | p. 65 | 125590001/0 | 13  | 2 | p. 85 | 125869029/1 | 82 | 1 | p. 65 |  |
| 125430210/1 | 16   | 1    | p. 67 | 125590001/0 | 13  | 2 | p. 87 | 125869029/1 | 82 | 1 | p. 67 |  |
| 125430210/1 | 31   | 1    | p. 51 | 125590001/0 | 13  | 2 | p. 89 | 125869029/1 | 87 | 1 | p. 71 |  |
| 125430213/0 | 31   | 1    | p. 23 | 125590018/0 | 4   | 2 | p. 89 | 125943001/1 | 73 | 2 | p. 3  |  |
| 125430213/0 | 31   | 1    | p. 25 | 125590019/0 | 4   | 2 | p. 87 | 125943001/1 | 73 | 2 | p. 7  |  |
| 125430213/0 | 31   | 1    | p. 27 | 125590019/0 | 4   | 2 | p. 89 | 125943012/0 | 25 | 2 | p. 47 |  |
| 125430218/0 | 64   | 1    | p. 55 | 125590020/0 | 4   | 2 | p. 85 | 125943012/0 | 25 | 2 | p. 49 |  |
| 125430219/0 | 15   | 1    | p. 51 | 125590020/0 | 4   | 2 | p. 87 | 125943012/0 | 42 | 2 | p. 31 |  |
| 125430230/0 | 17   | 1    | p. 75 | 125590020/0 | 4   | 2 | p. 89 | 125943012/0 | 42 | 2 | p. 33 |  |
| 125430230/0 | 18   | 1    | p. 77 | 125590022/0 | 13  | 2 | p. 85 | 125943012/0 | 42 | 2 | p. 35 |  |
| 125430232/0 | 72   | 1    | p. 29 | 125590022/0 | 13  | 2 | p. 87 | 125943012/0 | 42 | 2 | p. 37 |  |
| 125430238/1 | 34   | 1    | p. 3  | 125590022/0 | 13  | 2 | p. 89 | 125943012/0 | 42 | 2 | p. 39 |  |
| 125430238/1 | 34   | 1    | p. 7  | 125598050/0 | 5   | 1 | p. 45 | 125943012/0 | 42 | 2 | p. 41 |  |
| 125430245/0 | 75   | 1    | p. 79 | 125598052/0 | 9   | 1 | p. 39 | 125943012/0 | 42 | 2 | p. 43 |  |
| 125430252/0 | 20   | 1    | p. 47 | 125600009/0 | 21  | 1 | p. 11 | 125943012/0 | 42 | 2 | p. 45 |  |
|             |      |      |       | 125600009/0 | 21  | 1 | p. 13 | 125950000/0 | 5  | 2 | p. 87 |  |
|             |      |      |       | 125600041/0 | 21  | 1 | p. 65 | 125950000/0 | 5  | 2 | p. 89 |  |

| code        | pos. | q.ty | page  |             |    |   |       |             |     |   |       |  |
|-------------|------|------|-------|-------------|----|---|-------|-------------|-----|---|-------|--|
| 125950000/0 | 14   | 2    | p. 85 | 182000599/0 | 12 | 2 | p. 89 | 325110416/0 | 2   | 1 | p. 23 |  |
| 125950000/0 | 14   | 2    | p. 87 | 182004340/1 | 42 | 1 | p. 61 | 325110416/0 | 2   | 1 | p. 25 |  |
| 125950000/0 | 14   | 2    | p. 89 | 182004341/1 | 41 | 1 | p. 61 | 325110416/0 | 2   | 1 | p. 27 |  |
| 125961206/0 | 3    | 1    | p. 83 | 182004347/0 | 21 | 1 | p. 61 | 325110417/0 | 42  | 1 | p. 23 |  |
| 125961210/1 | 2    | 1    | p. 83 | 182004348/0 | 20 | 1 | p. 61 | 325110417/0 | 42  | 1 | p. 25 |  |
| 125961213/0 | 1    | 1    | p. 83 | 182004608/0 | 91 | 1 | p. 59 | 325110417/0 | 42  | 1 | p. 27 |  |
| 125961214/1 | 2    | 1    | p. 83 | 182040070/0 | 41 | 1 | p. 75 | 325110418/0 | 43  | 1 | p. 23 |  |
| 125961217/1 | 2    | 1    | p. 83 | 182040073/0 | 41 | 1 | p. 75 | 325110418/0 | 43  | 1 | p. 25 |  |
| 127430561/0 | 10   | 1    | p. 41 | 182040073/0 | 41 | 1 | p. 77 | 325110418/0 | 43  | 1 | p. 27 |  |
| 127430561/0 | 14   | 1    | p. 39 | 182040203/0 | 11 | 1 | p. 77 | 325120231/0 | 4   | 1 | p. 83 |  |
| 127430579/0 | 16   | 1    | p. 71 | 182040206/0 | 11 | 1 | p. 75 | 325120232/0 | 98  | 1 | p. 73 |  |
| 127590051/0 | 4    | 2    | p. 85 | 182040206/1 | 11 | 1 | p. 75 | 325120257/0 | 16  | 1 | p. 11 |  |
| 127590051/0 | 4    | 2    | p. 87 | 182040208/0 | 11 | 1 | p. 77 | 325120257/0 | 16  | 1 | p. 13 |  |
| 127590051/0 | 4    | 2    | p. 89 | 182105948/0 | 86 | 1 | p. 71 | 325120258/0 | 16  | 1 | p. 11 |  |
| 127598060/0 | 3    | 1    | p. 47 | 182106000/2 | 7  | 1 | p. 65 | 325120258/0 | 16  | 1 | p. 13 |  |
| 127598060/0 | 3    | 1    | p. 49 | 182180000/2 | 7  | 1 | p. 67 | 325122000/2 | 54  | 2 | p. 11 |  |
| 127598060/0 | 8    | 1    | p. 43 | 182180050/0 | 51 | 1 | p. 79 | 325122000/2 | 54  | 2 | p. 13 |  |
| 127598060/0 | 10   | 1    | p. 37 | 182180052/0 | 51 | 1 | p. 79 | 325140097/0 | 72  | 1 | p. 79 |  |
| 127598061/1 | 5    | 1    | p. 41 | 182700003/0 | 26 | 2 | p. 61 | 325140100/0 | 51  | 1 | p. 61 |  |
| 133215000/0 | 9    | 2    | p. 75 | 182700004/0 | 31 | 2 | p. 61 | 325150000/0 | 16  | 2 | p. 15 |  |
| 133215000/0 | 9    | 2    | p. 77 | 182750003/0 | 31 | 1 | p. 39 | 325150000/0 | 16  | 2 | p. 19 |  |
| 133215000/0 | 9    | 3    | p. 77 | 182750003/0 | 31 | 1 | p. 45 | 325160501/0 | 14  | 2 | p. 61 |  |
| 133320504/0 | 52   | 1    | p. 75 | 182750003/0 | 34 | 1 | p. 41 | 325253001/0 | 25  | 1 | p. 23 |  |
| 133320504/0 | 52   | 1    | p. 77 | 182750010/0 | 16 | 1 | p. 31 | 325253001/0 | 25  | 1 | p. 25 |  |
| 133320506/0 | 51   | 5    | p. 75 | 182750010/0 | 16 | 1 | p. 37 | 325253001/0 | 25  | 1 | p. 27 |  |
| 133320506/0 | 51   | 5    | p. 77 | 182750010/0 | 31 | 1 | p. 33 | 325256250/0 | 88  | 1 | p. 11 |  |
| 133340035/0 | 8    | 1    | p. 77 | 182750010/0 | 31 | 1 | p. 43 | 325256250/0 | 88  | 1 | p. 13 |  |
| 133340036/0 | 8    | 1    | p. 75 | 182750011/0 | 31 | 1 | p. 35 | 325280000/1 | 77  | 1 | p. 79 |  |
| 133340036/0 | 8    | 1    | p. 77 | 182750014/0 | 11 | 1 | p. 47 | 325318109/1 | 86  | 1 | p. 5  |  |
| 133340040/0 | 8    | 1    | p. 75 | 182750014/0 | 11 | 1 | p. 49 | 325318115/1 | 36  | 1 | p. 59 |  |
| 133340040/0 | 8    | 1    | p. 77 | 182774225/1 | 2  | 2 | p. 65 | 325318153/1 | 48  | 2 | p. 55 |  |
| 133500007/0 | 10   | 2    | p. 75 | 322110239/0 | 17 | 2 | p. 85 | 325318157/0 | 52  | 1 | p. 51 |  |
| 133500007/0 | 10   | 2    | p. 77 | 322394505/0 | 70 | 1 | p. 7  | 325318161/0 | 34  | 2 | p. 55 |  |
| 133500007/0 | 10   | 3    | p. 77 | 322672152/0 | 68 | 1 | p. 27 | 325318223/0 | 72  | 2 | p. 57 |  |
| 133500010/1 | 46   | 1    | p. 75 | 322672153/0 | 13 | 1 | p. 55 | 325318303/0 | 86  | 1 | p. 9  |  |
| 133500010/1 | 46   | 1    | p. 77 | 322672153/0 | 25 | 2 | p. 15 | 325318327/0 | 40  | 1 | p. 3  |  |
| 133500030/0 | 42   | 2    | p. 75 | 322672153/0 | 25 | 2 | p. 19 | 325318327/0 | 40  | 1 | p. 7  |  |
| 133500030/0 | 42   | 2    | p. 77 | 325022000/1 | 65 | 1 | p. 27 | 325394005/0 | 73  | 1 | p. 79 |  |
| 133567000/0 | 61   | 1    | p. 39 | 325031501/0 | 4  | 1 | p. 77 | 325394536/0 | 7   | 1 | p. 55 |  |
| 133567000/0 | 61   | 1    | p. 41 | 325032001/1 | 73 | 1 | p. 65 | 325410878/0 | 7   | 1 | p. 13 |  |
| 135062020/1 | 4    | 1    | p. 51 | 325032001/1 | 73 | 1 | p. 67 | 325410881/0 | 5   | 1 | p. 11 |  |
| 135062811/0 | 48   | 1    | p. 59 | 325032002/1 | 74 | 1 | p. 65 | 325410882/0 | 6   | 1 | p. 11 |  |
| 135065600/0 | 26   | 1    | p. 59 | 325032002/1 | 74 | 1 | p. 67 | 325430255/0 | 100 | 1 | p. 5  |  |
| 182000200/1 | 41   | 1    | p. 31 | 325033071/0 | 50 | 1 | p. 55 | 325430255/0 | 100 | 1 | p. 9  |  |
| 182000200/1 | 41   | 1    | p. 33 | 325034003/0 | 45 | 4 | p. 23 | 325470901/0 | 4   | 1 | p. 55 |  |
| 182000200/1 | 41   | 1    | p. 43 | 325034003/0 | 45 | 4 | p. 25 | 325547025/1 | 82  | 1 | p. 11 |  |
| 182000201/2 | 24   | 1    | p. 47 | 325034003/0 | 45 | 4 | p. 27 | 325547025/1 | 82  | 1 | p. 13 |  |
| 182000201/2 | 24   | 1    | p. 49 | 325034003/0 | 77 | 4 | p. 57 | 325547081/2 | 3   | 1 | p. 23 |  |
| 182000201/2 | 41   | 1    | p. 39 | 325038004/0 | 1  | 1 | p. 15 | 325547081/2 | 3   | 1 | p. 25 |  |
| 182000204/1 | 41   | 1    | p. 45 | 325038004/0 | 1  | 1 | p. 19 | 325547081/2 | 3   | 1 | p. 27 |  |
| 182000211/1 | 41   | 1    | p. 35 | 325060034/1 | 57 | 1 | p. 23 | 325547131/0 | 76  | 1 | p. 71 |  |
| 182000212/0 | 41   | 1    | p. 37 | 325060034/1 | 57 | 1 | p. 25 | 325547159/1 | 104 | 2 | p. 11 |  |
| 182000219/0 | 41   | 1    | p. 41 | 325060049/0 | 93 | 1 | p. 5  | 325547159/1 | 104 | 2 | p. 13 |  |
| 182000595/1 | 2    | 2    | p. 85 | 325060049/0 | 93 | 1 | p. 9  | 325547281/1 | 10  | 1 | p. 27 |  |
| 182000595/1 | 2    | 2    | p. 87 | 325060050/0 | 76 | 1 | p. 29 | 325580500/0 | 5   | 1 | p. 83 |  |
| 182000595/1 | 2    | 2    | p. 89 | 325060144/0 | 11 | 1 | p. 63 | 325580501/0 | 6   | 1 | p. 83 |  |
| 182000596/1 | 12   | 2    | p. 85 | 325060145/0 | 12 | 1 | p. 63 | 325580505/0 | 6   | 1 | p. 83 |  |
| 182000596/1 | 12   | 2    | p. 87 | 325076871/0 | 1  | 1 | p. 11 | 325592000/0 | 26  | 1 | p. 47 |  |
| 182000596/1 | 12   | 2    | p. 89 | 325076871/0 | 1  | 1 | p. 13 | 325592000/0 | 26  | 1 | p. 49 |  |
| 182000598/0 | 2    | 2    | p. 85 | 325076877/1 | 9  | 1 | p. 13 | 325592000/0 | 44  | 1 | p. 31 |  |
| 182000598/0 | 2    | 2    | p. 87 | 325108031/0 | 10 | 1 | p. 11 | 325592000/0 | 44  | 1 | p. 33 |  |
| 182000598/0 | 2    | 2    | p. 89 | 325108031/0 | 10 | 1 | p. 13 | 325592000/0 | 44  | 1 | p. 35 |  |
| 182000599/0 | 12   | 2    | p. 85 | 325109701/1 | 71 | 1 | p. 11 | 325592001/0 | 33  | 1 | p. 25 |  |
| 182000599/0 | 12   | 2    | p. 87 | 325109701/1 | 71 | 1 | p. 13 | 325592001/0 | 33  | 1 | p. 27 |  |
|             |      |      |       | 325110239/1 | 61 | 1 | p. 11 | 325592002/0 | 34  | 1 | p. 25 |  |
|             |      |      |       | 325110239/1 | 61 | 1 | p. 13 | 325592002/0 | 34  | 1 | p. 27 |  |

| code        | pos. | q.ty | page  |             |    |   |       |               |    |   |       |  |  |
|-------------|------|------|-------|-------------|----|---|-------|---------------|----|---|-------|--|--|
| 325600060/0 | 49   | 1    | p. 67 | 325785143/1 | 21 | 1 | p. 23 | 382318101/0   | 43 | 1 | p. 15 |  |  |
| 325600060/0 | 49   | 1    | p. 71 | 325785143/1 | 21 | 1 | p. 25 | 382318139/0   | 2  | 1 | p. 55 |  |  |
| 325601570/1 | 21   | 2    | p. 51 | 325785143/1 | 21 | 1 | p. 27 | 382318155/0   | 31 | 1 | p. 55 |  |  |
| 325601599/0 | 17   | 1    | p. 51 | 325785147/2 | 85 | 1 | p. 5  | 382318157/0   | 32 | 1 | p. 55 |  |  |
| 325601599/0 | 40   | 1    | p. 59 | 325785147/2 | 85 | 1 | p. 9  | 382318165/1   | 5  | 1 | p. 51 |  |  |
| 325605002/0 | 73   | 1    | p. 29 | 325785149/3 | 80 | 1 | p. 3  | 382318185/0   | 43 | 1 | p. 19 |  |  |
| 325605003/0 | 87   | 1    | p. 11 | 325785149/3 | 80 | 1 | p. 7  | 382394001/2   | 75 | 1 | p. 65 |  |  |
| 325605003/0 | 87   | 1    | p. 13 | 325785197/0 | 48 | 1 | p. 67 | 382394001/2   | 75 | 1 | p. 67 |  |  |
| 325650037/0 | 9    | 1    | p. 59 | 325785197/0 | 48 | 1 | p. 71 | 382394618/0   | 6  | 1 | p. 13 |  |  |
| 325650065/0 | 17   | 2    | p. 3  | 325785213/1 | 8  | 1 | p. 15 | 382394620/0   | 2  | 1 | p. 11 |  |  |
| 325650065/0 | 17   | 2    | p. 7  | 325785213/1 | 8  | 1 | p. 19 | 382394620/0   | 2  | 1 | p. 13 |  |  |
| 325650067/0 | 20   | 1    | p. 3  | 325785272/0 | 26 | 1 | p. 65 | 382394621/0   | 3  | 1 | p. 11 |  |  |
| 325650067/0 | 20   | 1    | p. 7  | 325785272/0 | 26 | 1 | p. 67 | 382394621/0   | 3  | 1 | p. 13 |  |  |
| 325650117/0 | 73   | 2    | p. 71 | 325785272/0 | 26 | 1 | p. 71 | 382394628/0   | 4  | 1 | p. 11 |  |  |
| 325670008/1 | 41   | 4    | p. 55 | 325785354/0 | 44 | 4 | p. 23 | 382394853/OLC | 61 | 1 | p. 23 |  |  |
| 325670008/1 | 57   | 4    | p. 55 | 325785354/0 | 44 | 4 | p. 25 | 382394853/OLC | 61 | 1 | p. 51 |  |  |
| 325670011/0 | 27   | 1    | p. 23 | 325785354/0 | 44 | 4 | p. 27 | 382400003/1   | 2  | 1 | p. 79 |  |  |
| 325670011/0 | 27   | 1    | p. 25 | 325785354/0 | 76 | 2 | p. 57 | 382500011/2   | 1  | 1 | p. 23 |  |  |
| 325670011/0 | 27   | 1    | p. 27 | 325785355/0 | 75 | 2 | p. 57 | 382500011/2   | 1  | 1 | p. 25 |  |  |
| 325670011/0 | 51   | 7    | p. 55 | 325785479/0 | 80 | 1 | p. 29 | 382500011/2   | 1  | 1 | p. 27 |  |  |
| 325670011/0 | 55   | 1    | p. 51 | 325785481/0 | 56 | 1 | p. 23 | 382510041/2   | 9  | 1 | p. 3  |  |  |
| 325670025/0 | 77   | 2    | p. 53 | 325785481/0 | 56 | 1 | p. 25 | 382510041/2   | 9  | 1 | p. 7  |  |  |
| 325735111/3 | 51   | 1    | p. 33 | 325840001/0 | 40 | 1 | p. 15 | 382510043/2   | 10 | 1 | p. 3  |  |  |
| 325735111/3 | 51   | 1    | p. 35 | 325840001/0 | 40 | 1 | p. 19 | 382510043/2   | 10 | 1 | p. 7  |  |  |
| 325735111/3 | 51   | 1    | p. 37 | 325869016/1 | 2  | 1 | p. 31 | 382547029/3   | 1  | 1 | p. 59 |  |  |
| 325735111/3 | 51   | 1    | p. 39 | 325869016/1 | 2  | 1 | p. 33 | 382547051/0   | 1  | 1 | p. 65 |  |  |
| 325735111/3 | 51   | 1    | p. 41 | 325869016/1 | 2  | 1 | p. 35 | 382547053/0   | 1  | 1 | p. 67 |  |  |
| 325735111/3 | 51   | 1    | p. 43 | 325869016/1 | 2  | 1 | p. 43 | 382547053/0   | 1  | 1 | p. 71 |  |  |
| 325735111/3 | 51   | 1    | p. 45 | 325869016/1 | 2  | 1 | p. 45 | 382564131/0   | 1  | 1 | p. 61 |  |  |
| 325735506/1 | 17   | 1    | p. 55 | 325869027/1 | 2  | 1 | p. 39 | 382564132/0   | 1  | 1 | p. 61 |  |  |
| 325735523/0 | 15   | 1    | p. 15 | 325869033/1 | 2  | 1 | p. 41 | 382564133/0   | 1  | 1 | p. 61 |  |  |
| 325735523/0 | 15   | 1    | p. 19 | 325869043/0 | 3  | 1 | p. 79 | 382564153/0   | 1  | 1 | p. 61 |  |  |
| 325743000/0 | 5    | 1    | p. 15 | 325869057/0 | 2  | 1 | p. 37 | 382598005/2   | 35 | 1 | p. 35 |  |  |
| 325743000/0 | 5    | 1    | p. 19 | 325869057/0 | 2  | 1 | p. 47 | 382598005/2   | 35 | 1 | p. 39 |  |  |
| 325755025/1 | 97   | 1    | p. 5  | 325869057/0 | 2  | 1 | p. 49 | 382598009/2   | 18 | 1 | p. 31 |  |  |
| 325755025/1 | 97   | 1    | p. 9  | 382000389/1 | 41 | 1 | p. 27 | 382598009/2   | 35 | 1 | p. 33 |  |  |
| 325755031/0 | 12   | 1    | p. 71 | 382000391/1 | 41 | 1 | p. 23 | 382598013/1   | 35 | 1 | p. 45 |  |  |
| 325755031/1 | 12   | 1    | p. 65 | 382000391/1 | 41 | 1 | p. 25 | 382598029/0   | 35 | 1 | p. 43 |  |  |
| 325755031/1 | 12   | 1    | p. 67 | 382000477/2 | 43 | 2 | p. 55 | 382598039/0   | 18 | 1 | p. 37 |  |  |
| 325755071/0 | 79   | 2    | p. 29 | 382000507/1 | 41 | 1 | p. 67 | 382598051/0   | 36 | 1 | p. 41 |  |  |
| 325774213/0 | 43   | 1    | p. 79 | 382000551/0 | 10 | 1 | p. 55 | 382598065/0   | 13 | 1 | p. 47 |  |  |
| 325774267/0 | 13   | 2    | p. 63 | 382000579/0 | 50 | 1 | p. 23 | 382598065/0   | 13 | 1 | p. 49 |  |  |
| 325774273/1 | 5    | 2    | p. 3  | 382000579/0 | 50 | 1 | p. 25 | 382650038/0   | 76 | 1 | p. 65 |  |  |
| 325774273/1 | 5    | 2    | p. 7  | 382000582/0 | 5  | 1 | p. 27 | 382650038/0   | 76 | 1 | p. 67 |  |  |
| 325774301/2 | 106  | 1    | p. 11 | 382000582/0 | 5  | 1 | p. 23 | 382650043/0   | 75 | 1 | p. 71 |  |  |
| 325774301/2 | 106  | 1    | p. 13 | 382000582/0 | 5  | 1 | p. 25 | 382650045/0   | 61 | 1 | p. 3  |  |  |
| 325774315/1 | 11   | 1    | p. 65 | 382000585/0 | 73 | 1 | p. 57 | 382650045/0   | 61 | 1 | p. 7  |  |  |
| 325774315/1 | 11   | 1    | p. 67 | 382000626/0 | 5  | 1 | p. 27 | 382650209/0   | 54 | 1 | p. 67 |  |  |
| 325774317/0 | 42   | 2    | p. 67 | 382033105/1 | 44 | 1 | p. 79 | 382650209/0   | 54 | 1 | p. 71 |  |  |
| 325774317/0 | 42   | 2    | p. 71 | 382034001/3 | 35 | 1 | p. 15 | 382722431/0   | 1  | 1 | p. 77 |  |  |
| 325774373/0 | 10   | 2    | p. 63 | 382034001/3 | 35 | 1 | p. 19 | 382722432/0   | 1  | 1 | p. 77 |  |  |
| 325774417/0 | 11   | 1    | p. 71 | 382108016/1 | 9  | 1 | p. 63 | 382722433/0   | 1  | 1 | p. 77 |  |  |
| 325774421/0 | 16   | 1    | p. 63 | 382110200/1 | 81 | 1 | p. 11 | 382722434/0   | 1  | 1 | p. 77 |  |  |
| 325774423/0 | 14   | 2    | p. 63 | 382110200/1 | 81 | 1 | p. 13 | 382735502/0   | 42 | 1 | p. 79 |  |  |
| 325774425/0 | 15   | 1    | p. 63 | 382110253/0 | 17 | 2 | p. 87 | 382774207/0   | 77 | 1 | p. 3  |  |  |
| 325774453/0 | 19   | 1    | p. 15 | 382110274/0 | 8  | 2 | p. 89 | 382774207/0   | 77 | 1 | p. 7  |  |  |
| 325774453/0 | 19   | 1    | p. 19 | 382110275/0 | 17 | 2 | p. 89 | 382774245/0   | 2  | 2 | p. 67 |  |  |
| 325774477/0 | 61   | 1    | p. 27 | 382180027/1 | 86 | 1 | p. 65 | 382774245/0   | 2  | 2 | p. 71 |  |  |
| 325774575/0 | 39   | 1    | p. 3  | 382180045/0 | 86 | 1 | p. 69 | 382785021/7   | 12 | 1 | p. 13 |  |  |
| 325774575/0 | 39   | 1    | p. 7  | 382180111/0 | 99 | 1 | p. 73 | 382785021/8   | 12 | 1 | p. 11 |  |  |
| 325785133/5 | 14   | 1    | p. 3  | 382207200/1 | 8  | 1 | p. 61 | 382785021/8   | 12 | 1 | p. 13 |  |  |
| 325785133/5 | 14   | 1    | p. 7  | 382207201/2 | 9  | 1 | p. 61 | 382785022/8   | 11 | 1 | p. 13 |  |  |
| 325785137/1 | 22   | 1    | p. 3  | 382230348/0 | 39 | 1 | p. 15 | 382785022/9   | 11 | 1 | p. 11 |  |  |
| 325785137/1 | 22   | 1    | p. 7  | 382230349/0 | 38 | 1 | p. 15 | 382785022/9   | 11 | 1 | p. 13 |  |  |
|             |      |      |       | 382230359/0 | 39 | 1 | p. 19 | 382785084/1   | 4  | 1 | p. 59 |  |  |
|             |      |      |       | 382230361/0 | 38 | 1 | p. 19 | 382785109/0   | 45 | 1 | p. 51 |  |  |



| <b>code</b> | <b>pos.</b> | <b>q.ty</b> | <b>page</b> |
|-------------|-------------|-------------|-------------|
| 382785137/0 | 13          | 1           | p. 11       |
| 382785137/0 | 13          | 1           | p. 13       |
| 382785147/0 | 61          | 2           | p. 67       |
| 382785147/0 | 61          | 2           | p. 71       |
| 382800002/2 | 72          | 1           | p. 65       |
| 382800002/2 | 72          | 1           | p. 67       |
| 382800051/0 | 71          | 1           | p. 65       |
| 382800089/1 | 72          | 1           | p. 71       |
| 382800093/0 | 71          | 1           | p. 67       |
| 382800123/1 | 71          | 1           | p. 71       |
| 382869025/0 | 101         | 1           | p. 11       |
| 382869025/0 | 101         | 1           | p. 13       |