

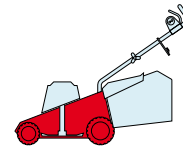
TD

TDL

430 TR

480 TR

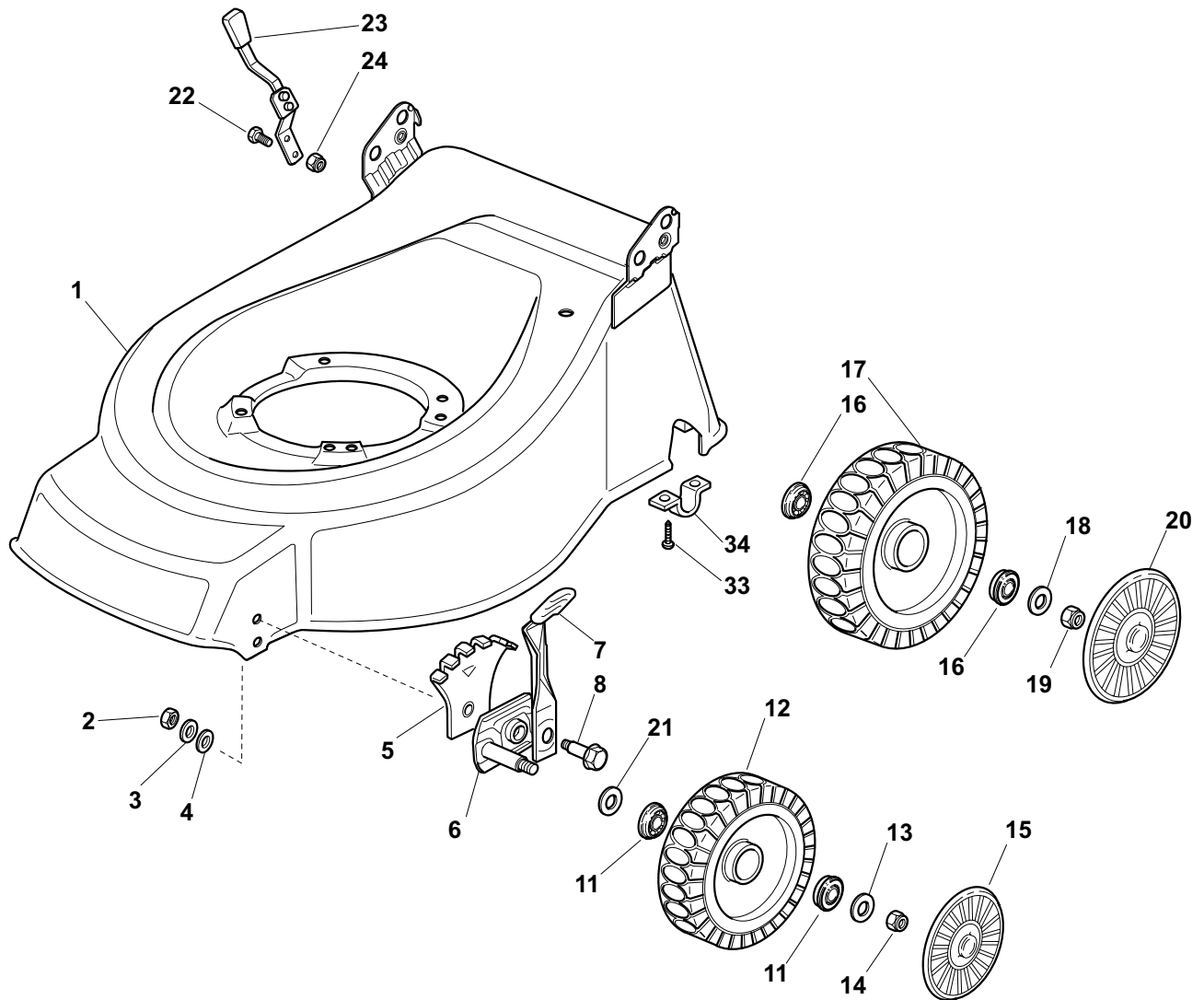
480 TR W



2009

E14001.0

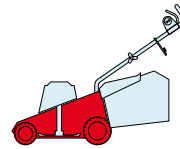
1 / 2



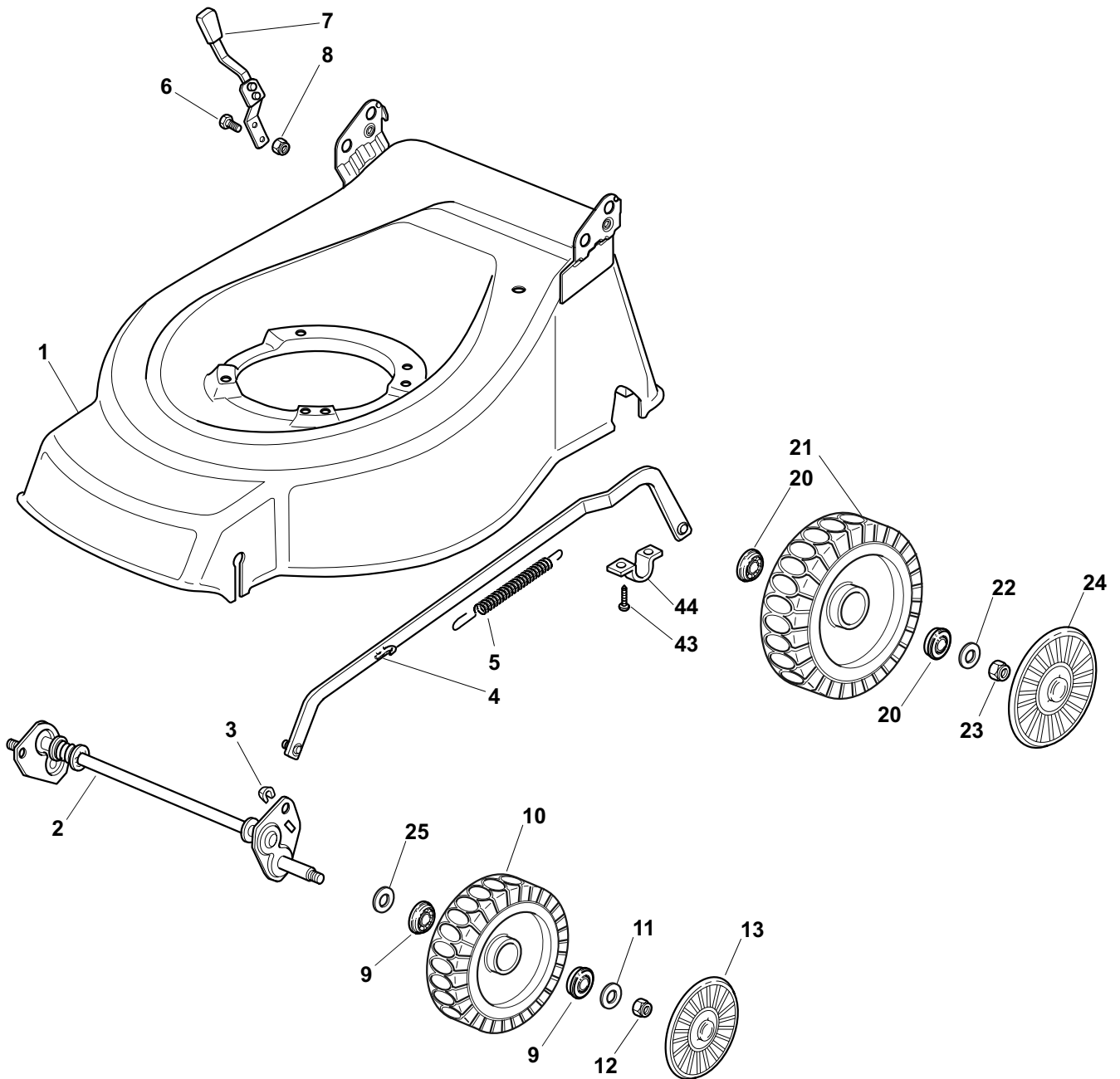
POS.	CODE	Q.TY	DESCRIZIONE	DESCRIPTION	DESCRIPTION	BESCHREIBUNG	REMARKS
1	81001645/0	1	Chassis Rosso	Deck Red	Châssis Rouge	Gehäuse Rot	430
1	81002429/1	1	Chassis Rosso	Deck Red	Châssis Rouge	Gehäuse Rot	480
1	81002403/1	1	Chassis Rosso	Deck Red	Châssis Rouge	Gehäuse Rot	480 MulCHing
2	12293200/0	2	Dado	Nut	Ecrou	Mutter	
3	12583500/0	2	Grower	Grower	Grower	Federring	
4	12523070/0	2	Rosetta	Washer	Rondelle	Scheibe	
5	22735547/0	2	Settore Regolazione Altezza	Sector, Height Adjustment	Secteur Reglage Hauteur	Sektor, Höheverstellung	
6	81005082/0	2	Supporto Ruota	Support, Wheel	Support Roue	Halter, Rad	
7	81003285/1	2	Leva Regolazione Altezza	Lever, Height Adjustment	Levier, Reglage Hauteur	Hebel, Höheverstellung	
8	22519811/0	2	Perno	Pin	Pivot	Bolzen	
11	22122200/0	4	Cuscinetto	Bearing	Coussinet	Lager	
12	81007336/0	2	Ruota Scolpita Ø 170	Wheel, Knobby Ø 170	Roue Sculptee Ø 170	Rad M. Stollenpr. Ø 170	
13	12521350/0	2	Rosetta	Washer	Rondelle	Scheibe	
14	12155000/0	2	Dado	Nut	Ecrou	Mutter	
15	-	2	Coprismozzo	Hub Cap	Couvre-Moyeu	Radkappe	(See Enclosure 1)
16	22122200/0	4	Cuscinetto	Bearing	Coussinet	Lager	
17	81007337/0	2	Ruota Scolpita Ø 210	Wheel, Knobby Ø 210	Roue Sculptee Ø 210	Rad M. Stollenpr. Ø 210	

POS.	CODE	Q.TY	DESCRIZIONE	DESCRIPTION	DESCRIPTION	BESCHREIBUNG	REMARKS
18	12369500/0	2	Disco Elastico	Elastic Washer	Disque Elastique	Federscheibe	
19	12155000/0	2	Dado	Nut	Ecrou	Mutter	
20	-	2	Coprizzo	Hub Cap	Couvre-Moyeu	Radkappe	(See Enclosure 2)
21	12530150/0	2	Rosetta Elastica	Elastic Washer	Rondelle Elastique	Elastische Scheibe	
22	12789000/0	2	Vite	Screw	Vis	Schraube	
23	81003279/2	1	Leva Regolazione Altezza	Lever, Height Adjustment	Levier, Reglage Hauteur	Hebel, Höheverstellung	
24	12154330/0	2	Dado	Nut	Ecrou	Mutter	
33	12731350/0	4	Vite	Screw	Vis	Schraube	
34	22545152/0	2	Piastrina	Plate	Plaquette	Platte	

TD		TDL	
430 TR	480 TR	480 TR W	



2009
E14002.0
1 / 2



POS.	CODE	Q.TY	DESCRIZIONE	DESCRIPTION	DESCRIPTION	BESCHREIBUNG	REMARKS
1	381003615/1	1	Chassis Rosso	Deck Red	Châssis Rouge	Gehäuse Rot	
2	81001274/1	1	Asse Ruote Anteriori	Axle, Front Wheels	Axe Roues Avant	Achse, Vorderrad	
3	112436051/0	2	Piastrina	Plate	Plaquette	Plättchen	
4	81001276/0	1	Asta Comando Regol. Altezza	Rod, Height Adjustment	Tige Commande Reglage Hauteur	Stange, Höheverstellung	
5	22446180/0	1	Molla	Spring	Ressort	Feder	
6	12789000/0	2	Vite	Screw	Vis	Schraube	
7	81003279/2	1	Leva Regolazione Altezza	Lever, Height Adjustment	Levier, Reglage Hauteur	Hebel, Höheverstellung	
8	12154320/0	2	Dado	Nut	Ecrou	Mutter	
9	22122200/0	4	Cuscinetto	Bearing	Coussinet	Lager	
10	81007336/0	2	Ruota Scolpita Ø 170	Wheel, Knobbly Ø 170	Roue Sculptee Ø 170	Rad M. Stollenpr. Ø 170	

POS.	CODE	Q.TY	DESCRIZIONE	DESCRIPTION	DESCRIPTION	BESCHREIBUNG	REMARKS
11	12521350/0	2	Rosetta	Washer	Rondelle	Scheibe	
12	12155000/0	2	Dado	Nut	Ecrou	Mutter	
13	-	2	Coprimozzo	Hub Cap	Couvre-Moyeu	Radkappe	(See Enclosure 1)
20	22122200/0	4	Cuscinetto	Bearing	Coussinet	Lager	
21	81007337/0	2	Ruota Scolpita Ø 210	Wheel, Knobbly Ø 210	Roue Sculptee Ø 210	Rad M. Stollenpr. Ø 210	
22	12369500/0	2	Disco Elastico	Elastic Washer	Disque Elastique	Federscheibe	
23	12155000/0	2	Dado	Nut	Ecrou	Mutter	
24	-	2	Coprimozzo	Hub Cap	Couvre-Moyeu	Radkappe	(See Enclosure 2)
25	12530150/0	2	Rosetta Elastica	Elastic Washer	Rondelle Elastique	Elastische Scheibe	
43	12731350/0	4	Vite	Screw	Vis	Schraube	
44	22545152/0	2	Piastrina	Plate	Plaquette	Platte	

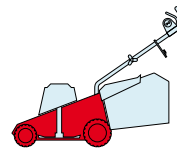
TD

TDL

430 TR

480 TR

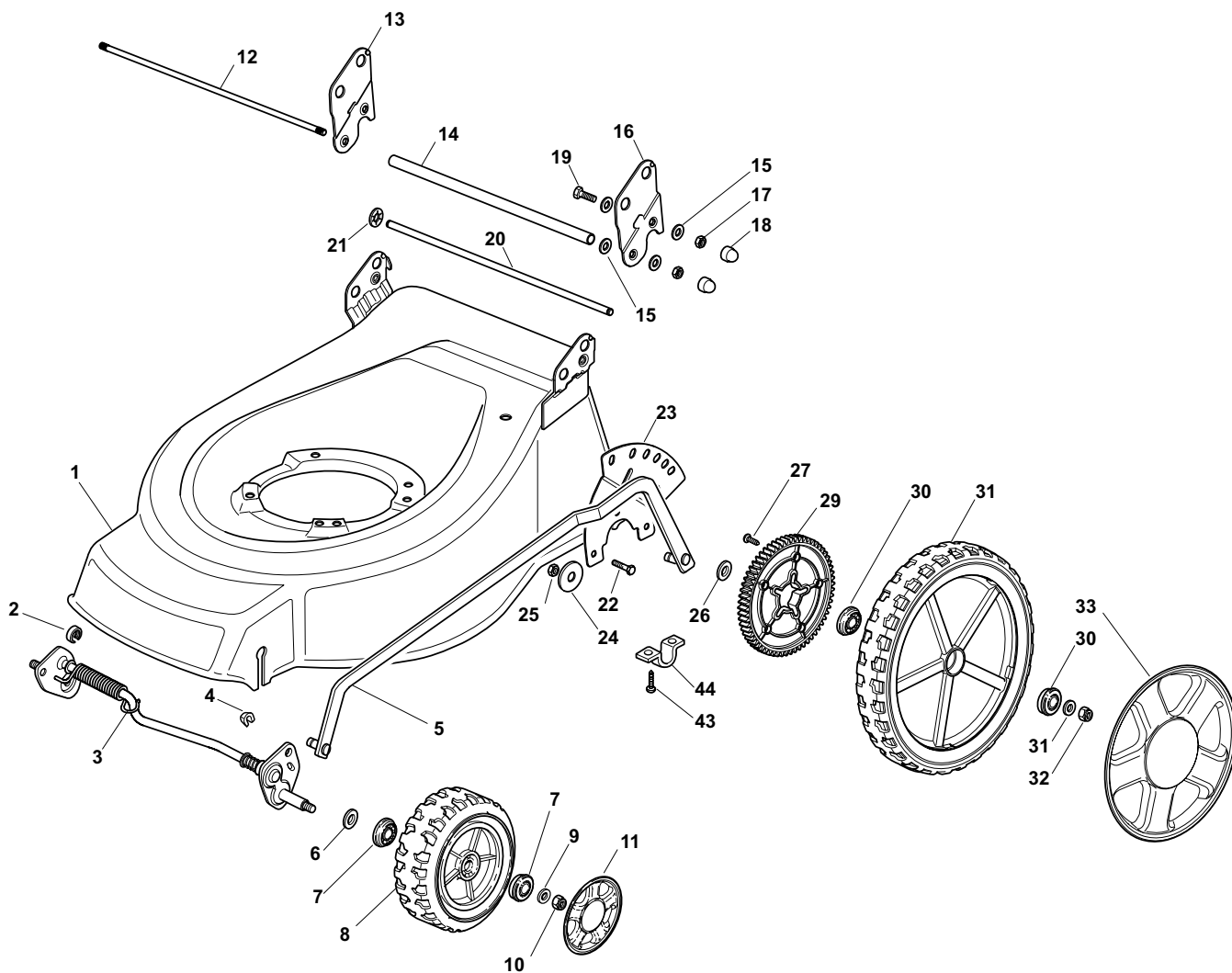
480 TR W



2009

E14003.0

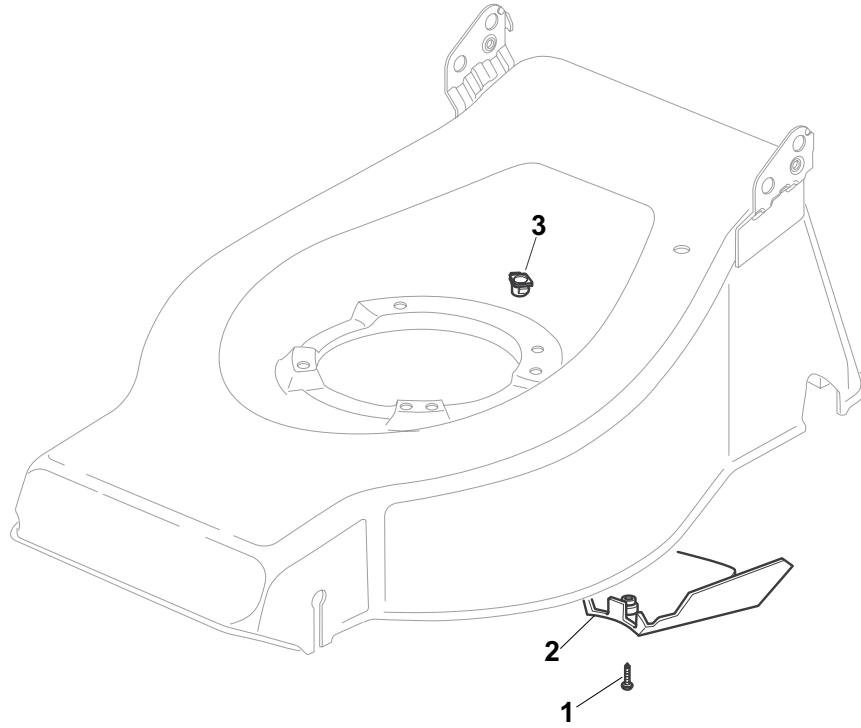
1 / 2



POS.	CODE	Q.TY	DESCRIZIONE	DESCRIPTION	DESCRIPTION	BESCHREIBUNG	REMARKS
1	381003690/0	1	Chassis Rosso	Deck Red	Châssis Rouge	Gehäuse Rot	
2	22171002/0	2	Distanziale	Spacer	Entretoise	Distanzring	
3	381002861/0	1	Asse Ruote Anteriori	Axle, Front Wheels	Axe Roues Avant	Achse, Vorderrad	
4	12436050/0	2	Piastrina	Plate	Plaque	Plättchen	
5	381001999/0	1	Asta Comando Regol. Altezza	Rod, Height Adjustment	Tige Commande Reglage Hauteur	Stange, Höheverstellung	
6	12530150/0	2	Rosetta	Washer	Rondelle	Scheibe	
7	22122200/0	4	Cuscinetto	Bearing	Coussinet	Lager	
8	81007343/0	2	Ruota Ø 210	Wheel Ø 210	Roue Ø 210	Rad Ø 210	
9	12521350/0	2	Rosetta	Washer	Rondelle	Scheibe	
10	12155000/0	2	Dado	Nut	Ecrou	Mutter	
11	-	2	Coprismozzo	Hub Cap	Couvre-Moyeu	Radkappe	(See Enclosure 2)
12	22517702/1	1	Fulcro Parasassi	Stone Guard Fulcrum	Point D'Appui Parepierres	Drehpunkt Prallblech	
13	22778427/0	1	Staffa Dx	Bracket, R	Bride D	Pratze, Rechte	
14	22869717/0	1	Distanziale	Spacer	Entretoise	Distanzring	
15	22671653/0	8	Rosetta	Washer	Rondelle	Scheibe	
16	22778429/0	1	Staffa Sx	Bracket, L	Bride G	Pratze, Linke	
17	12155000/0	4	Dado	Nut	Ecrou	Mutter	

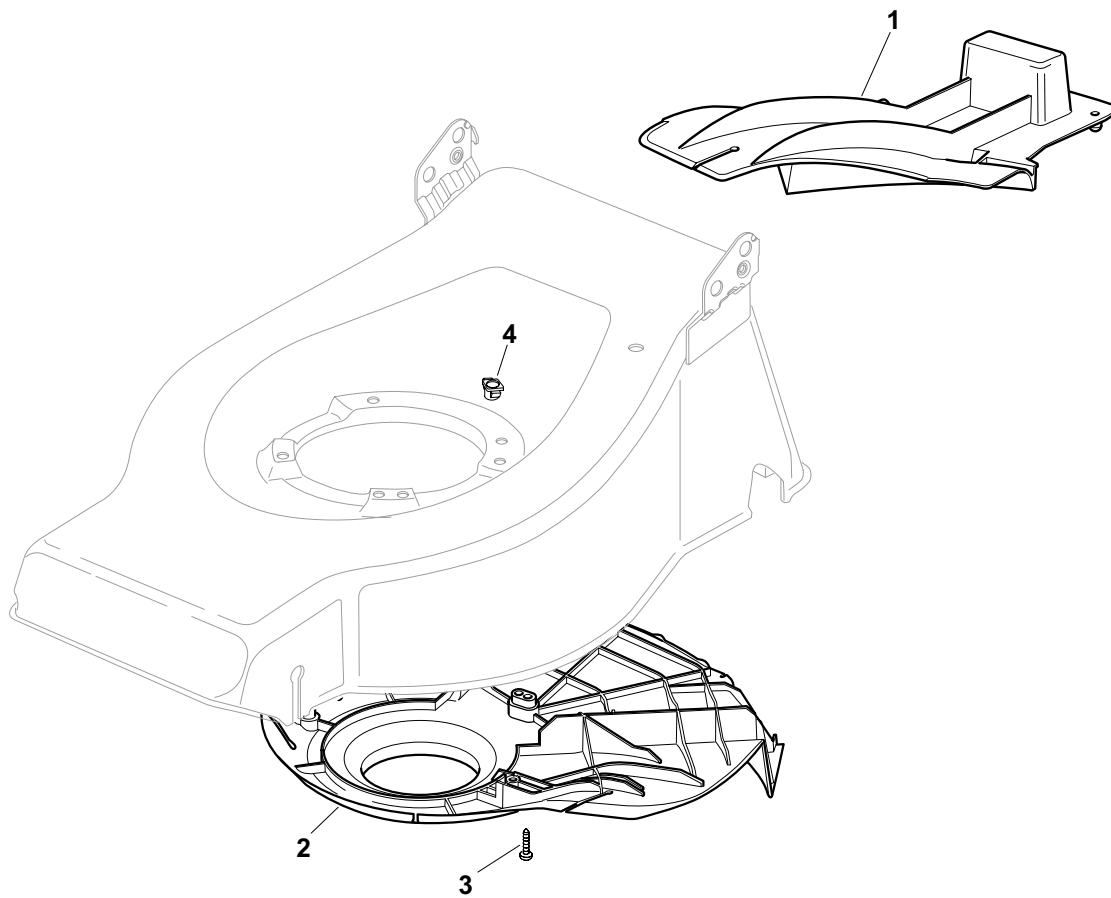
POS.	CODE	Q.TY	DESCRIZIONE	DESCRIPTION	DESCRIPTION	BESCHREIBUNG	REMARKS
18	18203854/0	4	Cappuccio	Protection	Capuchon	Stecker	
19	12793301/0	2	Vite	Screw	Vis	Schraube	
20	22517860/0	1	Perno	Pin	Pivot	Bolzen	
21	12604899/0	2	Fissatore A Corona	Crown Fastener	Fixateur A Couronne	Kronescheibe	
22	12792611/0	3	Vite	Screw	Vis	Schraube	
23	322735579/1	1	Settore Regolazione Altezza	Sector, Height Adjustment	Secteur Reglage Hauteur	Sektor, Höheverstellung	
24	12523060/0	3	Rosetta	Washer	Rondelle	Scheibe	
25	12155000/0	3	Dado	Nut	Ecrou	Mutter	
26	22675100/0	2	Rosetta	Washer	Rondelle	Scheibe	
27	12728691/0	6	Vite	Screw	Vis	Schraube	
28	22120110/0	2	Ruota Dentata	Sprocket	Couronne	Zahnkettenrad	
29	22122200/0	4	Cuscinetto	Bearing	Coussinet	Lager	
30	81007380/0	2	Ruota Ø 300	Wheel Ø 300	Roue Ø 300	Rad Ø 300	
31	12521350/0	4	Rosetta	Washer	Rondelle	Scheibe	
32	12155000/0	2	Dado	Nut	Ecrou	Mutter	
33	-	2	Coprimozzo	Hub Cap	Couvre-Moyeu	Radkappe	(See Enclosure 3)
43	12731350/0	4	Vite	Screw	Vis	Schraube	
44	22545152/0	2	Piastrina	Plate	Plaquette	Platte	

TD		TDL		2009
430 TR	480 TR	480 TR W		E14004.0
				1 / 1



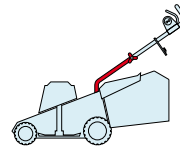
POS.	CODE	Q.TY	DESCRIZIONE	DESCRIPTION	DESCRIPTION	BESCHREIBUNG	REMARKS
1	12727791/0	1	Vite	Screw	Vis	Schraube	430 - 480
1	12728530/0	1	Vite	Screw	Vis	Schraube	480 MulCHing
2	22060170/1	1	Carter Cinghia	Protection, Belt	Protection	Schutz, Riemen	430
2	22060180/0	1	Carter Cinghia	Protection, Belt	Protection	Schutz, Riemen	480
3	22291150/0	1	Inserto In Gomma	Rubber Insert	Insert De	Gummi Einsatz	

TD		TDL		2009
430 TR	480 TR	480 TR W		E14005.0
				1 / 1

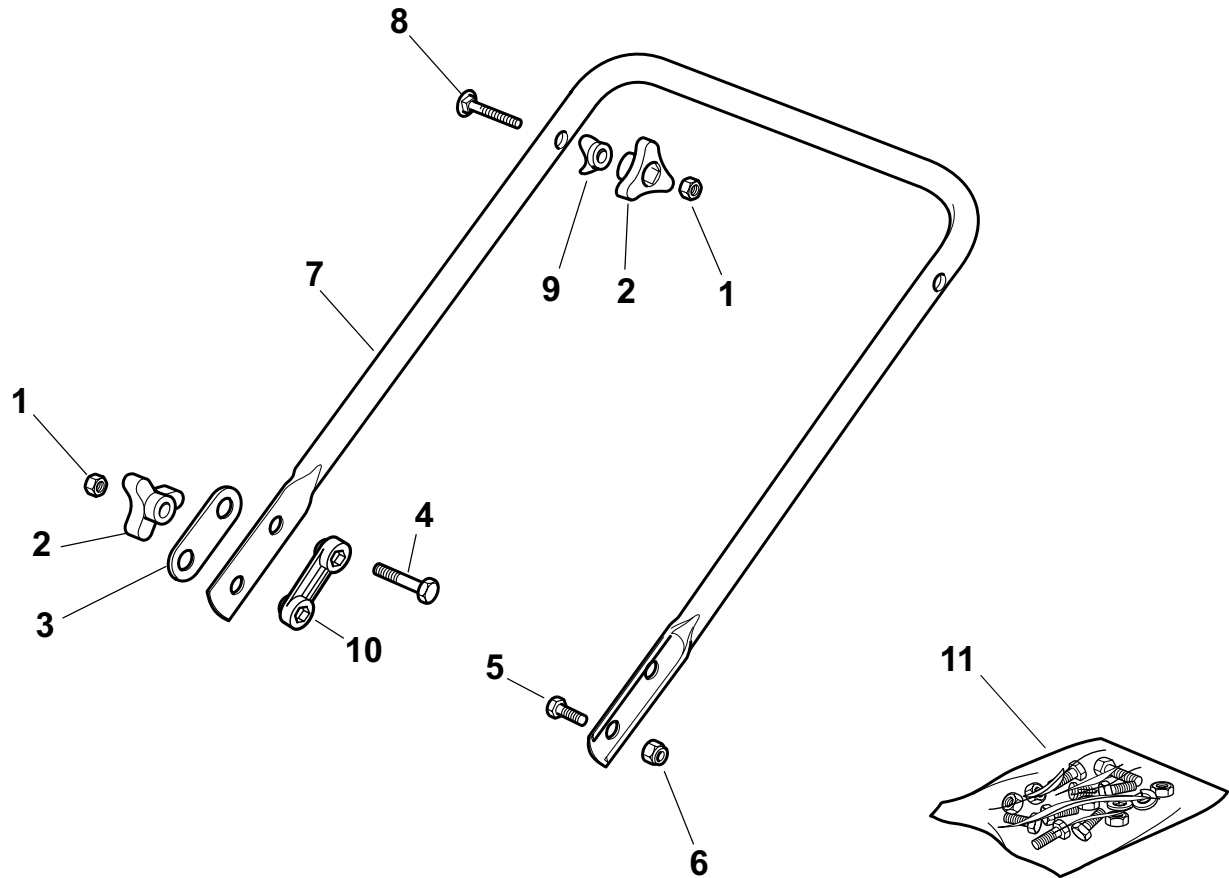


POS.	CODE	Q.TY	DESCRIZIONE	DESCRIPTION	DESCRIPTION	BESCHREIBUNG	REMARKS
1	22140223/0	1	Deflettore	Deflector	Deflecteur	Deflektor	480
2	22060199/0	1	Carter	Protection	Protection	Schutz	480
3	12728530/0	3	Vite	Screw	Vis	Schraube	
4	22291150/0	1	Insero In Gomma	Rubber Insert	Insert De	Gummi Einsatz	

TD		TDL	
430 TR	480 TR	480 TR W	

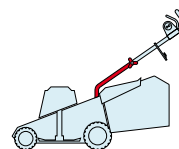


2009
E14006.0
1 / 1

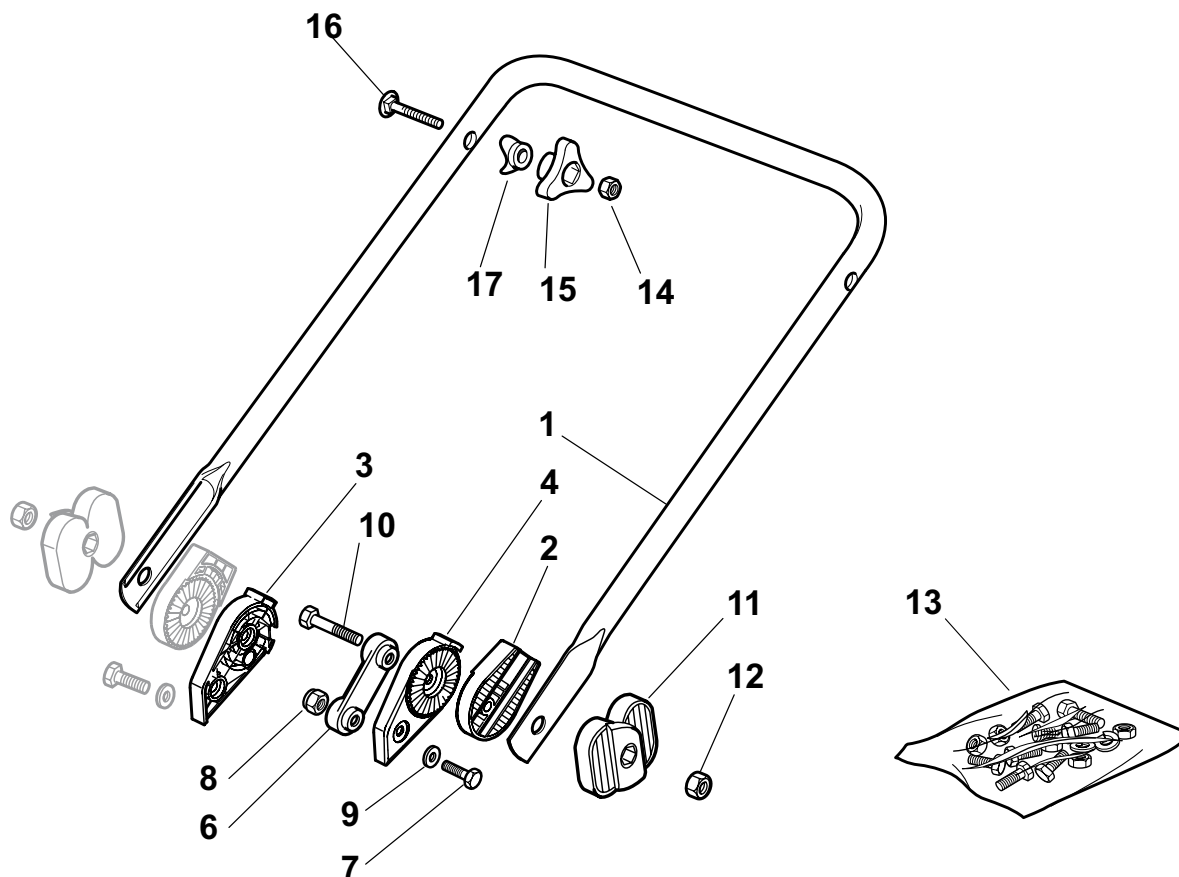


POS.	CODE	Q.TY	DESCRIZIONE	DESCRIPTION	DESCRIPTION	BESCHREIBUNG	REMARKS
1	12293200/0	4	Dado	Nut	Ecrou	Mutter	
2	22399900/0	4	Manopolina	Knob	Poignée	Griff	
3	22551574/0	2	Piastrina Esterna	Plate, Outside	Plaquette Externe	Platte, Äußere	
4	12691115/0	2	Vite	Screw	Vis	Schraube	
5	12793300/0	2	Vite	Screw	Vis	Schraube	
6	12155000/0	2	Dado	Nut	Ecrou	Mutter	
7	81006512/0	1	Manico, Parte Inf	Handle, Lower Part	Mancheron, Partie Inférieure	Holm, Unterteil	
8	12819201/0	2	Vite	Screw	Vis	Schraube	
9	22680006/1	2	Rosetta	Washer	Rondelle	Scheibe	
10	22551575/0	2	Piastrina Interna	Plate, Inside	Plaquette Interne	Platte, Innere	
11	81008596/1	1	Dotazione Viteria	Outfit, Screws	Dotation Visserie	Satz, Schrauben	

TD		TDL	
430 TR	480 TR	480 TR W	



2009
E14007.0
1 / 1



POS.	CODE	Q.TY	DESCRIZIONE	DESCRIPTION	DESCRIPTION	BESCHREIBUNG	REMARKS
1	81006532/0	1	Manico, Parte Inf	Handle, Lower Part	Mancheron, Partie Inférieure	Holm, Unterteil	
2	22785081/1	2	Supporto Esterno	Support, External	Support Externe	Halter, Äußere	
3	22785082/0	1	Supporto Interno Dx	Support, R Internal	Support Interne D	Halter, Innere R	
4	22785083/1	1	Supporto Interno Sx	Support, L Internal	Support Interne G	Halter, Innere L	
6	22551575/0	2	Piastrina Interna	Plate, Inside	Plaquette Interne	Platte, Innere	
7	12793301/0	2	Vite	Screw	Vis	Schraube	
8	12155000/0	2	Dado	Nut	Ecrou	Mutter	
9	12521350/0	2	Rosetta	Washer	Rondelle	Scheibe	
10	12691810/0	2	Vite	Screw	Vis	Schraube	
11	22399803/0	2	Manopolina	Knob	Poignée	Griff	
12	12293202/0	2	Dado	Nut	Ecrou	Mutter	
13	81008623/1	1	Dotazione Viteria	Outfit, Screws	Dotation Visserie	Satz, Schrauben	
14	12293200/0	2	Dado	Nut	Ecrou	Mutter	
15	22399900/0	2	Manopolina	Knob	Poignée	Griff	
16	12819201/0	2	Molla Guida	Spring	Ressort	Feder	
17	22680006/1	2	Rosetta	Washer	Rondelle	Scheibe	

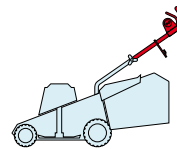
TD

TDL

430 TR

480 TR

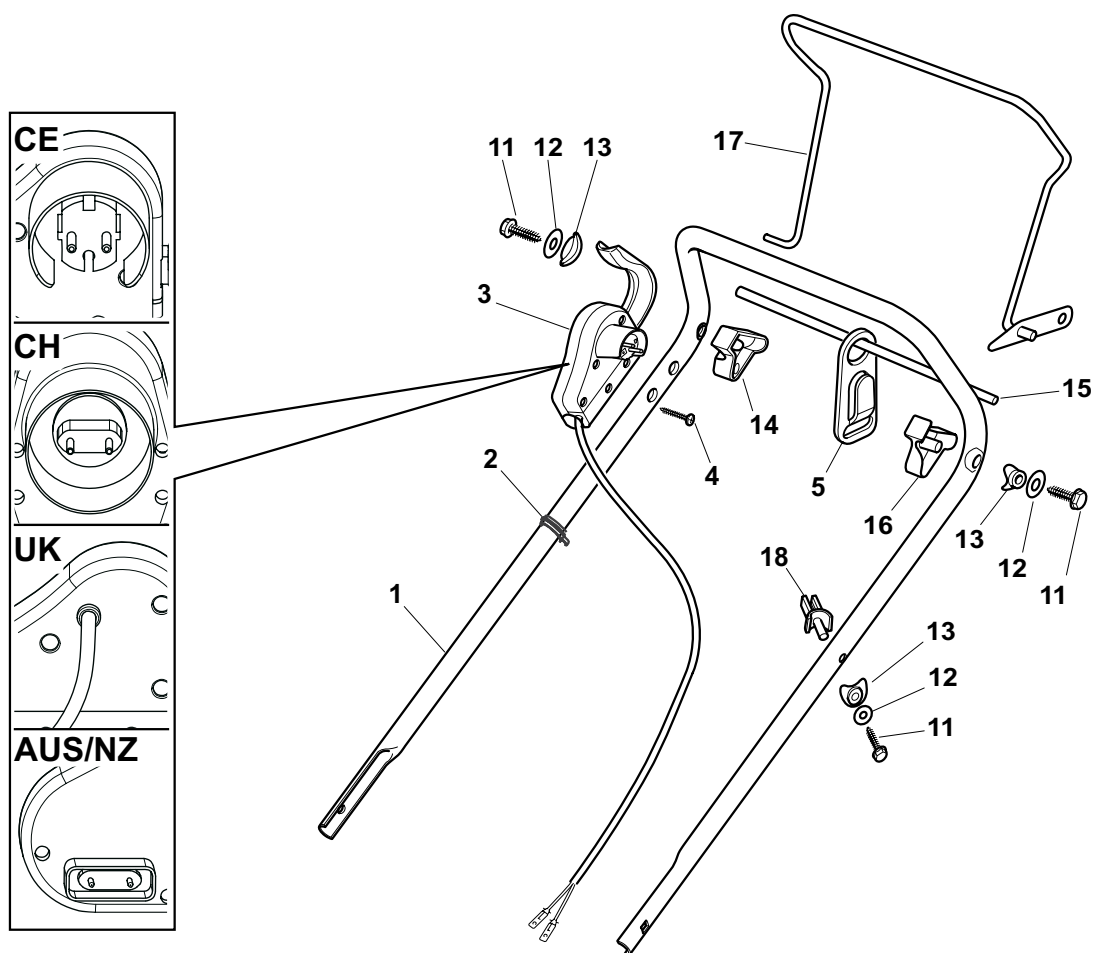
480 TR W



2009

E14008.0

1 / 1



POS.	CODE	Q.TY	DESCRIZIONE	DESCRIPTION	DESCRIPTION	BESCHREIBUNG	REMARKS
1	81006603/0	1	Manico, Parte Sup	Handle, Upper Part	Mancheron, Partie Supérieure	Holm, Oberteil	
2	22192000/1	2	Fascetta	Anchor Clamp	Collier Ancre	Bowdenzughalter	
3	81600500/1	1	Salvatore	Dead Hand Switch	Int. Main Morte	Tot Manschalter	CE
3	81600501/1	1	Salvatore	Dead Hand Switch	Int. Main Morte	Tot Manschalter	CH
3	81600502/1	1	Salvatore	Dead Hand Switch	Int. Main Morte	Tot Manschalter	UK
3	18710628/0	1	Salvatore	Dead Hand Switch	Int. Main Morte	Tot Manschalter	AUS/NZ
4	12728701/0	2	Vite	Screw	Vis	Schraube	
5	22195101/4	1	Fermacavo	Fairlead	Fixation Cable	Kabelbefestigung	
11	12735103/0	3	Vite	Screw	Vis	Schraube	
12	12523040/0	3	Rosetta	Washer	Rondelle	Scheibe	
13	22680006/1	3	Rosetta	Washer	Rondelle	Scheibe	
14	322806518/2	1	Supporto Dx	Support, R	Support D	Halter, Rechter	
15	22020320/0	1	Aggancio	Fairlead Bearing	Support Serrecable	Kabelhalter	
16	322806519/2	1	Supporto Sx	Support, L	Support G	Halter, Linker	
17	81001245/1	1	Leva Trazione	Driving Lever	Levier Traction	Antriebhebel	
18	22806520/0	1	Supporto Registro	Support, Adjuster	Support Ecrou Reg.	Halter, Regler	

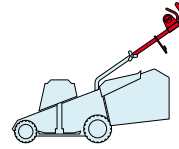
TD

TDL

430 TR

480 TR

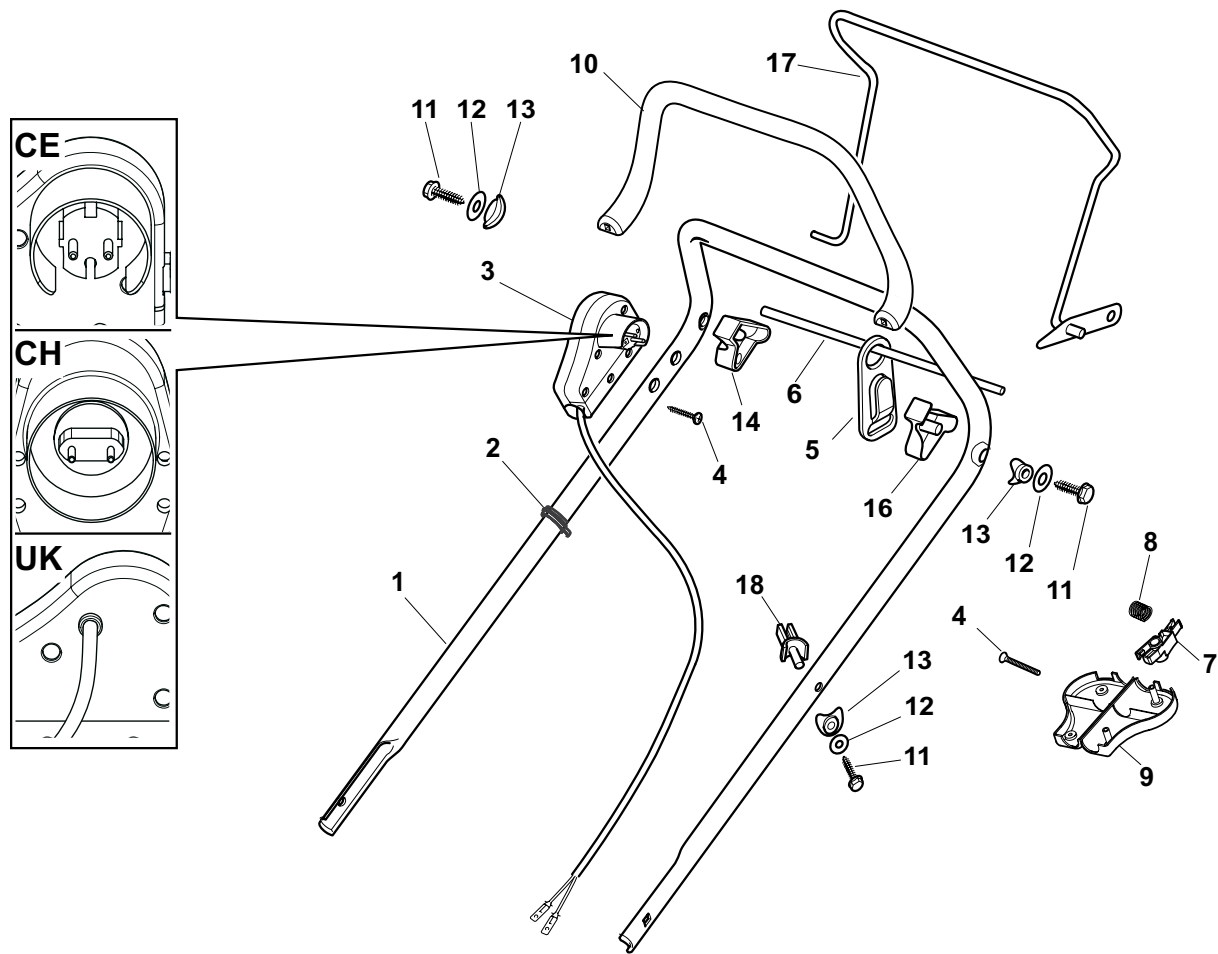
480 TR W



2009

E14009.0

1 / 1



POS.	CODE	Q.TY	DESCRIZIONE	DESCRIPTION	DESCRIPTION	BESCHREIBUNG	REMARKS
1	81006603/0	1	Manico, Parte Sup	Handle, Upper Part	Mancheron, Partie Supérieure	Holm, Oberteil	
2	22192000/1	2	Fascetta	Anchor Clamp	Collier Ancrage	Bowdenzughalter	
3	381600503/2	1	Salvamotore	Dead Hand Switch	Int. Main Morte	Tot Manschalter	CE
3	381600505/2	1	Salvamotore	Dead Hand Switch	Int. Main Morte	Tot Manschalter	UK
3	381600504/2	1	Salvamotore	Dead Hand Switch	Int. Main Morte	Tot Manschalter	CH
4	12728701/0	4	Vite	Screw	Vis	Schraube	
5	22195101/4	1	Fermacavo	Fairlead	Fixation Cable	Kabelbefestigung	
6	22010251/0	1	Asta Aggancio Fermacavo	Rod, Fairlead Bearing	Tige Support Serrecable	Stange, Kabelhalter	
7	322230350/1	1	Fulcro	Fulcrum Pin	Point D'Appui	Gelenkpunkt	
8	22450115/0	1	Molla	Spring	Ressort	Feder	
9	22785144/0	1	Supporto	Support	Support	Halter	
10	322322881/1	1	Leva Freno Motore, Nero	Lever, Engine Brake	Levier Frein Moteur	Hebel, Motorbremse	
10	322322885/1	1	Leva Freno Motore, Giallo	Lever, Engine Brake	Levier Frein Moteur	Hebel, Motorbremse	
11	12735103/0	3	Vite	Screw	Vis	Schraube	
12	12523040/0	3	Rosetta	Washer	Rondelle	Scheibe	
13	22680006/1	3	Rosetta	Washer	Rondelle	Scheibe	
14	322806518/2	1	Supporto Dx	Support, R	Support D	Halter, Rechter	
15	22020320/0	1	Aggancio	Fairlead Bearing	Support Serrecable	Kabelhalter	
16	322806519/2	1	Supporto Sx	Support, L	Support G	Halter, Linker	
17	81001245/1	1	Leva Trazione	Driving Lever	Levier Traction	Antriebhebel	
18	22806520/0	1	Supporto Registro	Support, Adjuster	Support Ecrou Reg.	Halter, Regler	

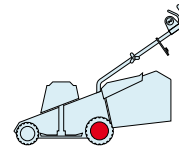
TD

TDL

430 TR

480 TR

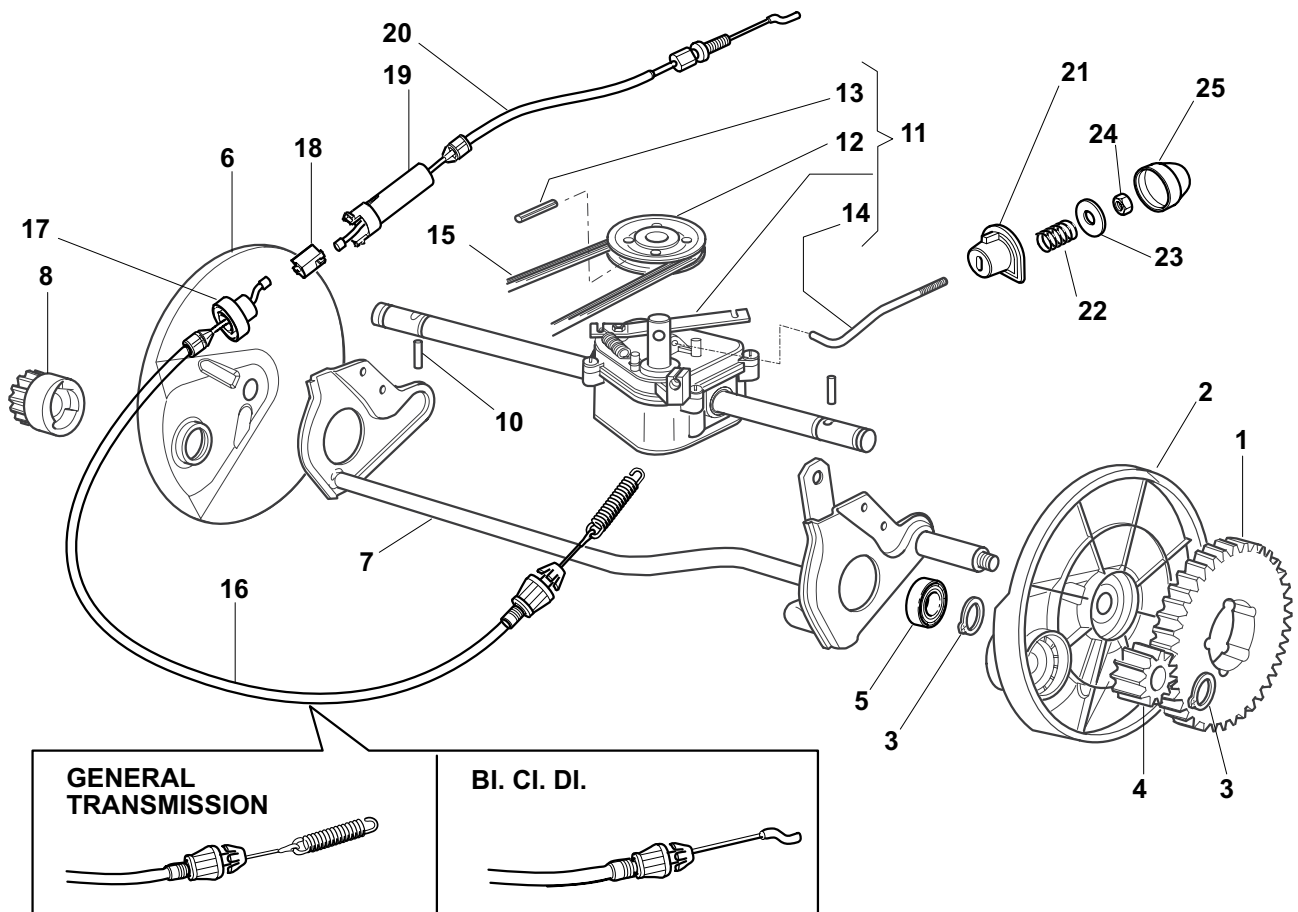
480 TR W



2009

E14010.0

1 / 2



POS.	CODE	Q.TY	DESCRIZIONE	DESCRIPTION	DESCRIPTION	BESCHREIBUNG	REMARKS
1	22120105/1	2	Corona	Ring Gear	Couronne	Kranz	
2	22600093/0	1	Prot. Ruote Sx	Protection, L Wheel	Protection Roue G	Schütz, Linkes	
3	12608600/0	4	Seeger	Seeger	Seeger	Seeger	
4	22570120/1	1	Pignone Sx	Pinion L	Pignon G	Ritzel Linkes	
5	19216035/0	2	Cuscinetto	Bearing	Coussinet	Lager	
6	22600092/0	1	Prot. Ruote Dx	Protection, R Wheel	Protection Roue D	Schütz, Rechtes	
7	81000147/0	1	Asse Ruote Posteriori	Axle, Rear Wheels	Axe Roues Arriere	Achse, Hinterrad	
8	22570110/1	1	Pignone Dx	Pinion R	Pignon D	Ritzel Rechtes	
10	22753000/0	2	Spina	Pin	Goupille	Stift	
11	81003081/1	1	Gruppo Trazione (Grigio)	Gear Box (Grey)	Groupe Traction	Antrieb (Grau)	(Bi Ci Di)
11	81003076/0	1	Gruppo Trazione	Gear Box	Groupe Traction	Antrieb	(General Transmission)
12	22601904/0	1	Puleggia	Pulley	Poulie	Riemenscheibe	
13	12645705/0	1	Spina	Pin	Goupille	Stift	
14	22033280/0	1	Asta Regolazione	Adjustment Rod	Tige Reglage	Verstellungstange	(Bi Ci Di)
14	22033283/0	1	Asta Regolazione	Adjustment Rod	Tige Reglage	Verstellungstange	(General Transmission)
15	35063710/0	1	Cinghia Z 25	Belt Z 25	Courroie Z 25	Riemen Z 25	430
15	35063800/0	1	Cinghia Z 27	Belt Z 27	Courroie Z 27	Riemen Z 27	480
16	81000676/0	1	Cavo Comando Trazione Inf	Cable, Rear Drive Lower	Câble, Commande Traction Inferieure	Kabel, Antrieb Ober	(Bi Ci Di)
16	81000671/0	1	Cavo Comando Trazione Inf	Cable, Rear Drive Lower	Câble, Commande Traction Inferieure	Kabel, Antrieb Unter	(General Transmission)
17	22246031/0	1	Giunzione Inf	Lower Joint	Connection Inf	Verbindung Oben	

POS.	CODE	Q.TY	DESCRIZIONE	DESCRIPTION	DESCRIPTION	BESCHREIBUNG	REMARKS
18	22042040/0	1	Bussola Isolamento	Isolation Compass	Boussole De	Absonderung	
19	22246030/0	1	Giunzione Sup	Upper Joint	Connection Sup	Verbindung Unter	
20	81001150/0	1	Cavo Comando Trazione Sup	Cable, Rear Drive Upper	Câble, Commande Traction Superieure	Kabel, Antrieb Ober	
21	22041957/1	1	Bussola	Bush	Douille	Buchse	
22	22450063/0	1	Molla	Spring	Ressort	Feder	
23	22680009/0	1	Rosetta	Washer	Rondelle	Scheibe	
24	12154510/0	1	Dado	Nut	Ecrou	Mutter	
25	22110230/0	1	Tappo	Cap	Bouchon	Gummistopfen	

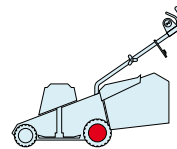
TD

TDL

430 TR

480 TR

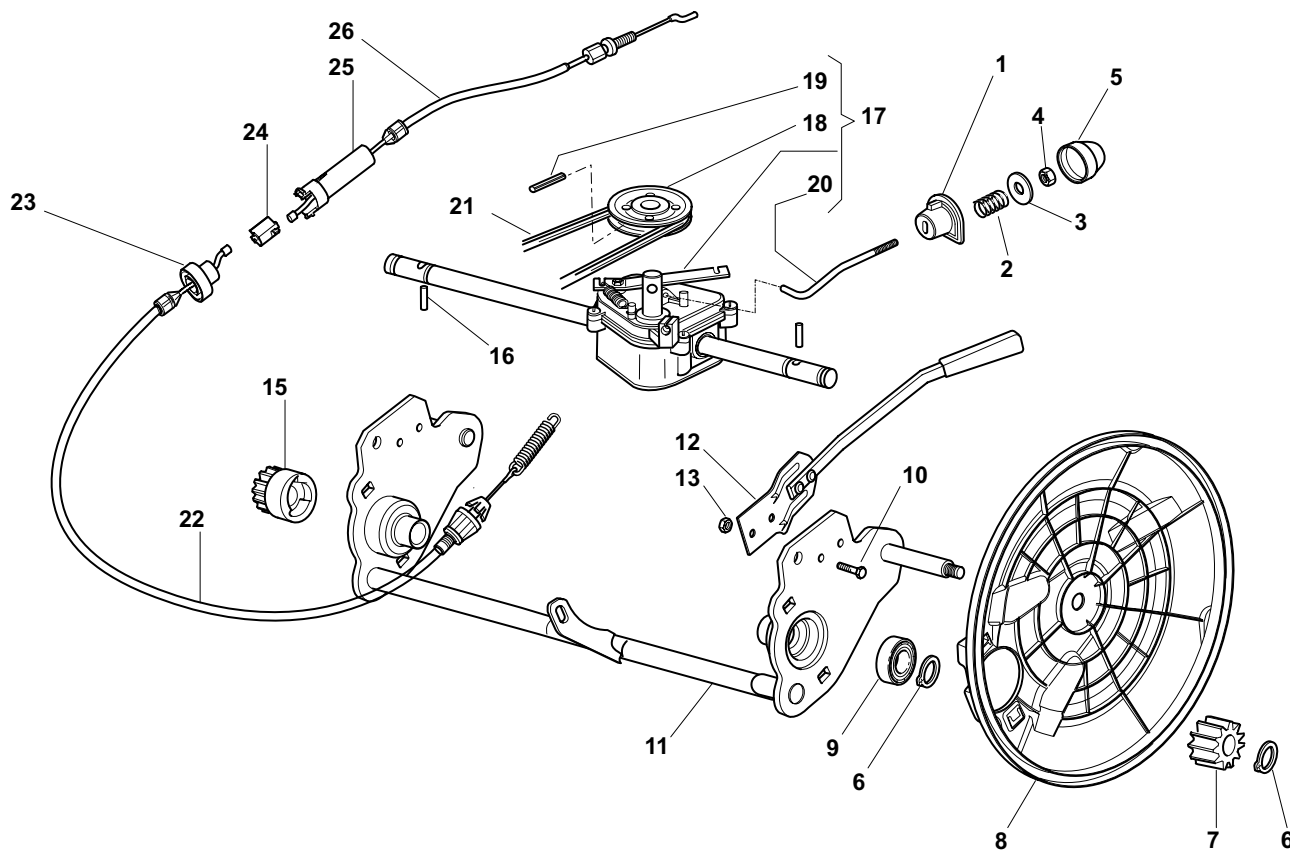
480 TR W



2009

E14011.0

1 / 2



POS.	CODE	Q.TY	DESCRIZIONE	DESCRIPTION	DESCRIPTION	BESCHREIBUNG	REMARKS
1	22041957/1	1	Bussola	Bush	Douille	Buchse	
2	22450063/0	1	Molla	Spring	Ressort	Feder	
3	22680009/0	1	Rosetta	Washer	Rondelle	Scheibe	
4	12154510/0	1	Dado	Nut	Ecrou	Mutter	
5	22110230/0	1	Tappo	Cap	Bouchon	Gummistopfen	
6	12608600/0	4	Seeger	Seeger	Seeger	Seeger	
7	22570110/1	1	Pignone Dx	Pinion R	Pignon D	Ritzel Rechtes	
8	22600160/0	2	Prot. Ruote	Protection, Wheel	Protection Roue	Schütz	
9	19216035/0	2	Cuscinetto	Bearing	Coussinet	Lager	
10	12789000/0	2	Vite	Screw	Vis	Schraube	
11	381002853/2	1	Asse Ruote Posteriori	Axle, Rear Wheels	Axe Roues Arriere	Achse, Hinterrad	
12	381003326/0	1	Leva Regolazione Altezza	Lever, Height Adjustment	Levier Reglage Hauteur	Hebel, Höneverstellung	
13	12154330/0	2	Dado	Nut	Ecrou	Mutter	
14	122450454/0	1	Molla	Spring	Ressort	Feder	
15	22570120/1	1	Pignone Sx	Pinion L	Pignon G	Ritzel Linkes	
16	22753000/0	2	Spina	Pin	Goupille	Stift	
17	81003092/0	1	Gruppo Trazione	Gear Box	Groupe Traction	Antrieb	
18	22601904/0	1	Puleggia	Pulley	Poulie	Riemenscheibe	
19	12645705/0	1	Spina	Pin	Goupille	Stift	
20	22033283/0	1	Asta Regolazione	Adjustment Rod	Tige Reglage	Verstellungstange	
21	35063800/0	1	Cinghia Z 27	Belt Z 27	Courroie Z 27	Riemen Z 27	

POS.	CODE	Q.TY	DESCRIZIONE	DESCRIPTION	DESCRIPTION	BESCHREIBUNG	REMARKS
22	81000671/0	1	Cavo Comando Trazione Inf	Cable, Rear Drive Lower	Câble, Commande Traction Inferieure	Kabel, Antrieb Unter	
23	22246031/0	1	Giunzione Inf	Lower Joint	Connection Inf	Verbindung Oben	
24	22042040/0	1	Bussola Isolamento	Isolation Compass	Boussole De	Absonderung	
25	22246030/0	1	Giunzione Sup	Upper Joint	Connection Sup	Verbindung Unter	
26	81001150/0	1	Cavo Comando Trazione Sup	Cable, Rear Drive Upper	Câble, Commande Traction Superieure	Kabel, Antrieb Ober	

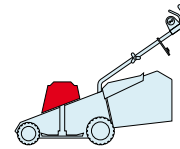
TD

TDL

430 TR

480 TR

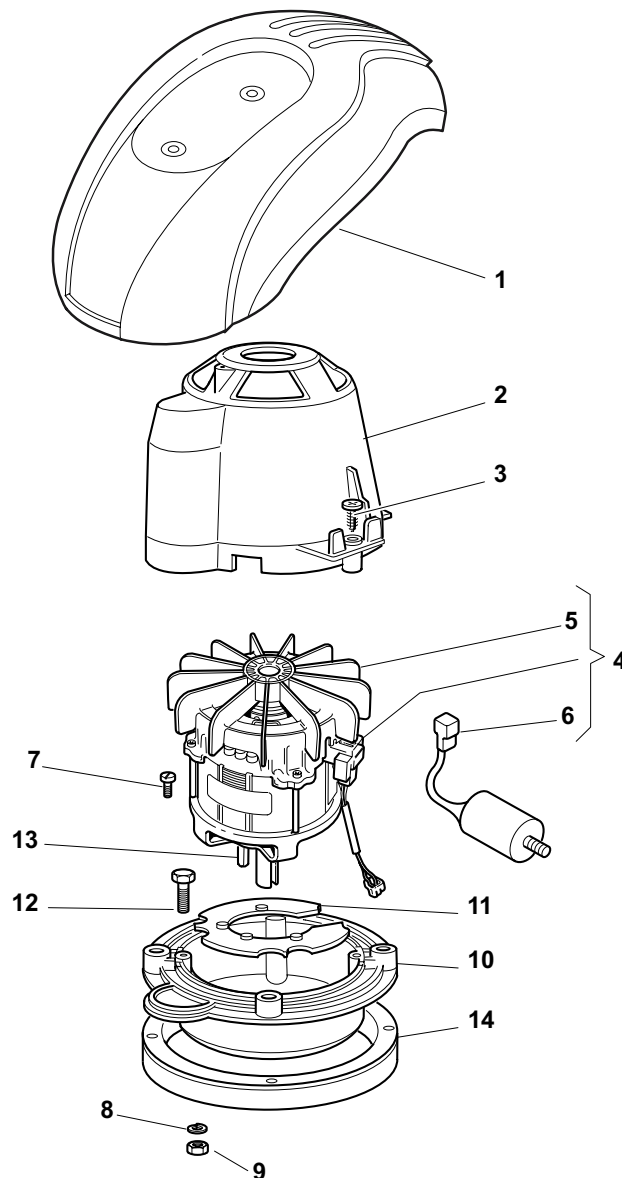
480 TR W



2009

E14012.0

1 / 1



POS.	CODE	Q.TY	DESCRIZIONE	DESCRIPTION	DESCRIPTION	BESCHREIBUNG	REMARKS
1	-	1	Capottina	Cover	Capot	Haube	(See Enclosure 6)
2	22785210/0	1	Supporto Capottina	Support, Cover	Support Capot	Halter, Haube	
3	12728710/0	4	Vite	Screw	Vis	Schraube	
4	18563641/0	1	Motore Atb	Motor Atb	Moteur Atb	Motor Atb	230V (1800W)
5	18740054/0	1	Ventola Per Motore Atb	Fan Motor Atb	Ventilateur Moteur Atb	Lüfter Motor Atb	
6	18222039/0	1	Condensatore 25 µf	Condenser 25 µf	Condenseur 25 µf	Kondensator 25 µf	(Atb)
7	12735410/0	4	Vite	Screw	Vis	Schraube	
8	12583500/0	4	Grower	Grower	Grower	Federring	
9	12293200/0	4	Dado	Nut	Ecrou	Mutter	
10	322207211/4	1	Flangia	Flange	Bride	Flansch	
11	322720360/2	1	Schermo	Ventilation Screen	Ecran Ventilation	Lüftungschirm	
12	12691800/0	4	Vite	Screw	Vis	Schraube	
13	12139440/0	1	Linguetta	Feather	Clavette	Keil	
14	22170960/1	1	Distanziale	Spacer	Entretoise	Distanzring	
15	12728680/0	2	Vite	Screw	Vis	Schraube	

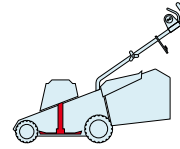
TD

TDL

430 TR

480 TR

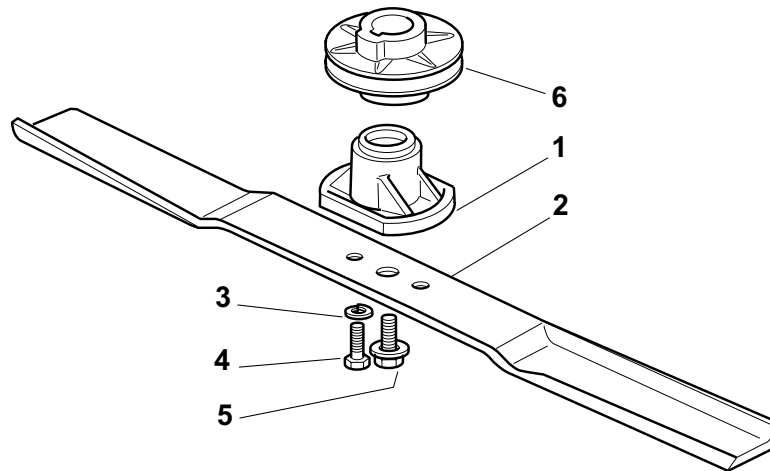
480 TR W



2009

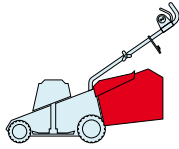
E14013.0

1 / 1

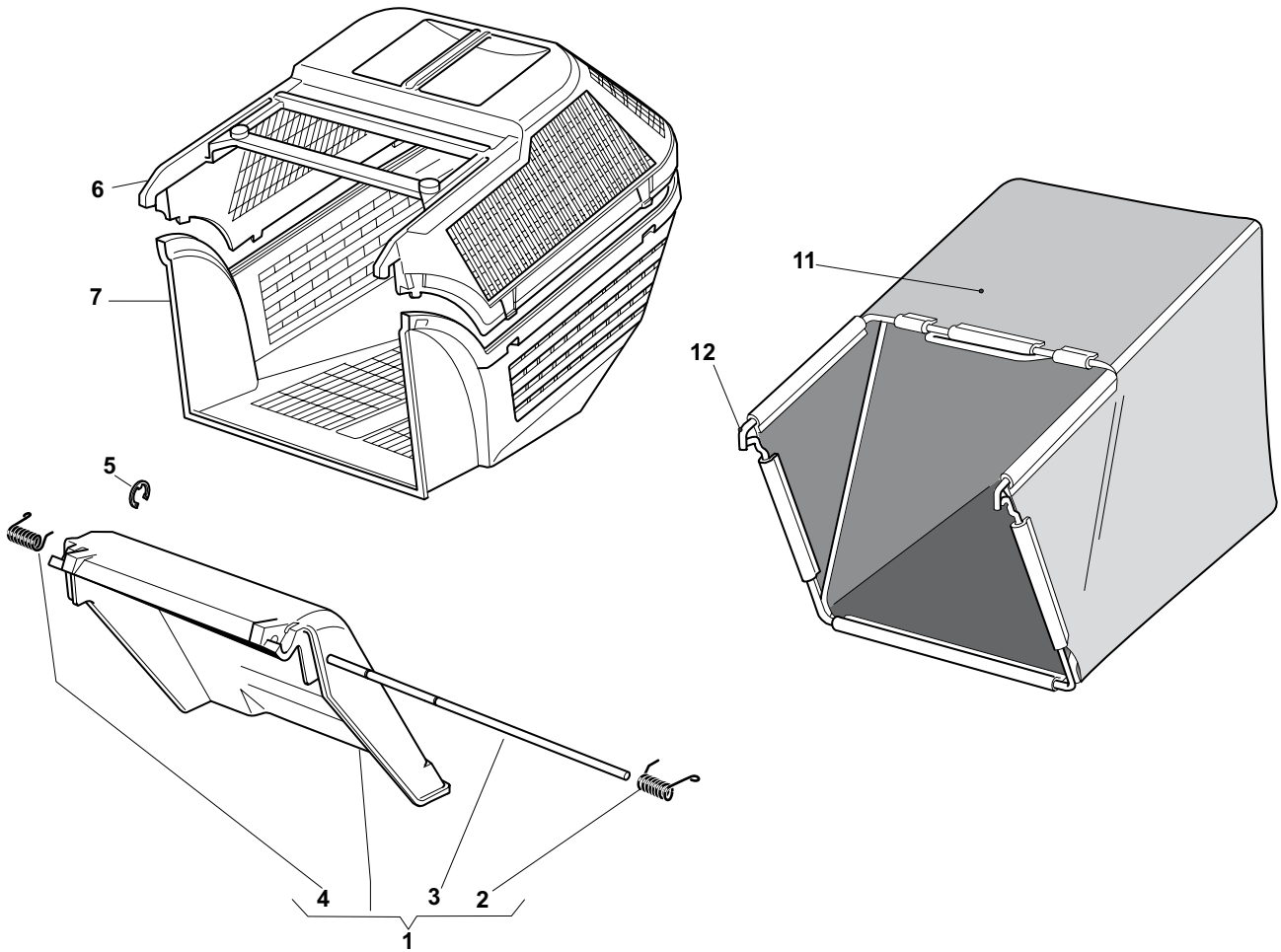


POS.	CODE	Q.TY	DESCRIZIONE	DESCRIPTION	DESCRIPTION	BESCHREIBUNG	REMARKS
1	322463186/3	1	Mozzo	Hub	Moyeu	Halter	
2	81004341/3	1	Coltello Standard	Blade Standard	Lame Standard	Messer Standard	430
2	81004396/0	1	Coltello Alettato	Blade Winged	Lame Ailettée	Messer Flügel	430
2	81004346/3	1	Coltello Standard	Blade Standard	Lame Standard	Messer Standard	480
2	81004397/0	1	Coltello Alettato	Blade Winged	Lame Ailettée	Messer Flügel	480
3	12583500/0	2	Grower	Grower	Grower	Federring	
4	12793101/0	2	Vite	Screw	Vis	Schraube	
5	81004352/0	1	Vite	Screw	Vis	Schraube	
6	22601911/1	1	Puleggia	Pulley	Pouile	Riemenscheibe	

TD		TDL	
430 TR	480 TR	480 TR W	



2009
E14014.0
1 / 1



POS.	CODE	Q.TY	DESCRIZIONE	DESCRIPTION	DESCRIPTION	BESCHREIBUNG	REMARKS
1	381007308/2	1	Parasassi	Stone-Guard	Pare-Pierres	Prallblech	
2	22450420/1	1	Molla Sx	L Spring	Ressort G	Linke Feder	
3	22517906/1	1	Perno	Pin	Pivot	Bolzen	
4	22450410/1	1	Molla Dx	R Spring	Ressort D	Rechte Feder	
5	12000930/0	1	Anello Elastico	Snap Ring	Anneau Ressort	Sprengring	
6	22486073/0	1	Sacco, Parte Sup	Grass-Box, Upper	Sac, Partie Superieure	Korb, Oberteil	
7	22486074/0	1	Sacco, Parte Inf	Grass-Box, Lower	Sac, Partie Inferieure	Korb, Unterteil	
11	81002105/2	1	Sacco, Tela	Box, Fabric	Sac, Toile	Sack, Tuck	
12	81006418/0	1	Telaio Sacco	Chassis Box	Châssis Bac	Rahmen Sack	

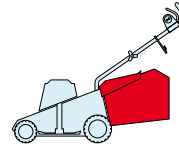
TD

TDL

430 TR

480 TR

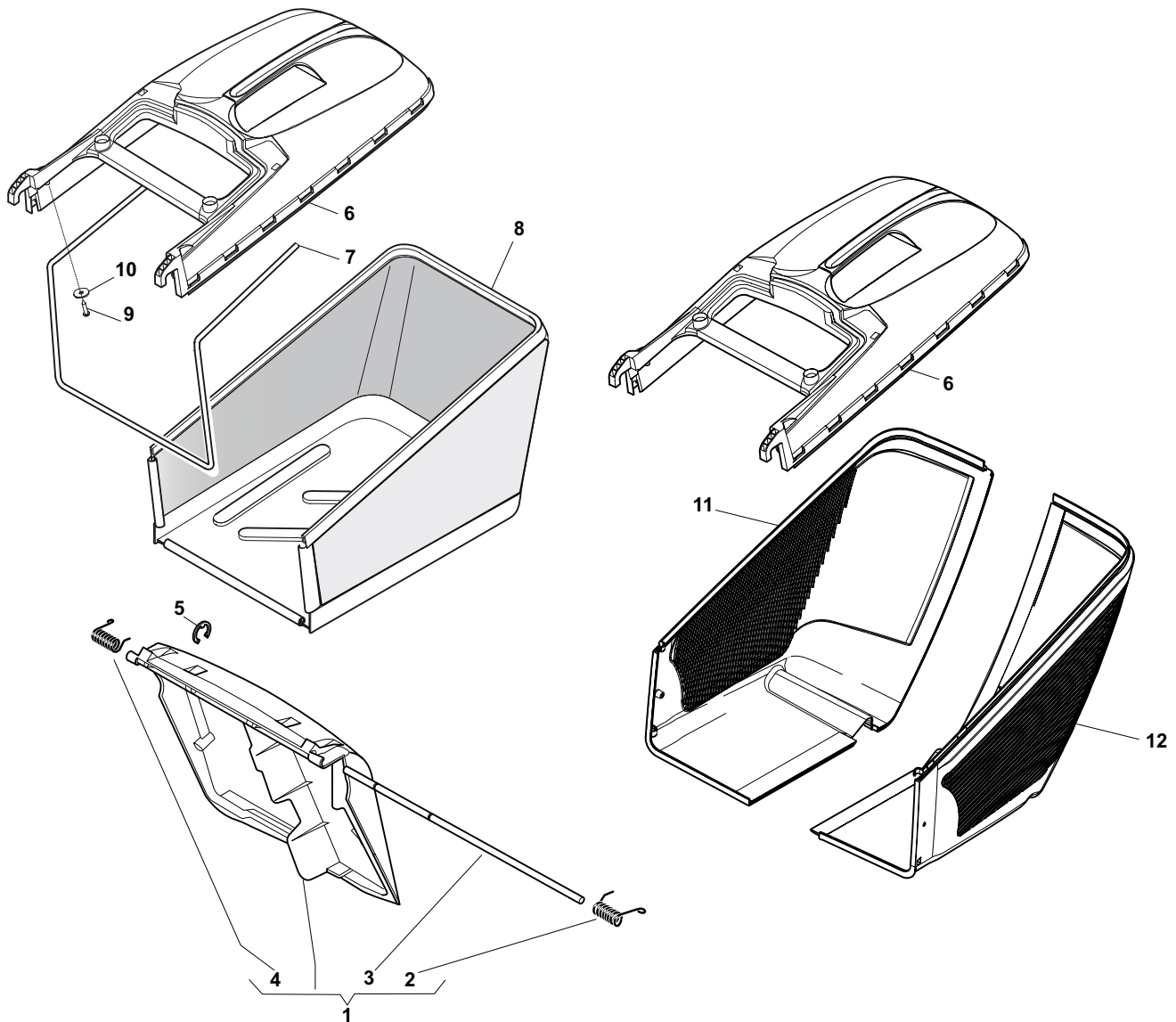
480 TR W



2009

E14015.0

1 / 1



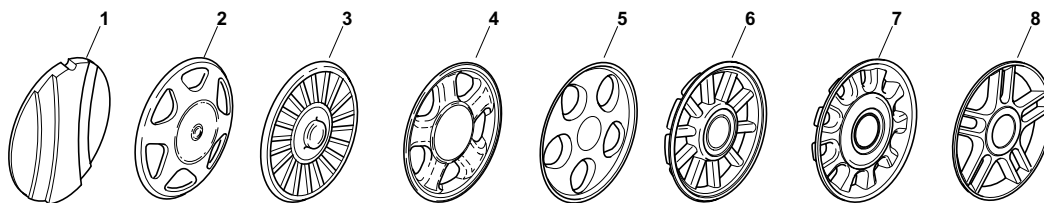
POS.	CODE	Q.TY	DESCRIZIONE	DESCRIPTION	DESCRIPTION	BESCHREIBUNG	REMARKS
1	381008021/1	1	Parasassi	Stone-Guard	Pare-Pierres	Prallblech	
2	22450420/1	1	Molla Sx	L Spring	Ressort G	Linke Feder	
3	22517906/1	1	Perno	Pin	Pivot	Bolzen	
4	22450410/1	1	Molla Dx	R Spring	Ressort D	Rechte Feder	
5	12000930/0	1	Anello Elastico	Snap Ring	Anneau Ressort	Sprengring	
6	22486101/0	1	Sacco, Parte Sup	Grass-Box, Upper	Sac, Partie	Korb, Oberteil	
7	22608525/0	1	Rinforzo Inf	Stiffening Lower	Réinforcement Inf	Verstärkung	
8	81002211/0	1	Sacco, Tela	Box, Fabric	Sac, Toile	Sack, Tuck	
9	12728680/0	2	Vite	Screw	Vis	Schraube	
10	12523050/0	2	Rosetta	Washer	Rondelle	Scheibe	
11	322486150/1	1	Sacco, Parte Inf Dx	Grass-Box, R Lower	Sac, Partie Inferieure D	Korb, R Unterteil	
12	322486151/1	1	Sacco, Parte Inf Sx	Grass-Box, L Lower	Sac, Partie Inferieure G	Korb, L Unterteil	

ENCLOSURE 1

2009

001.0

1 / 1



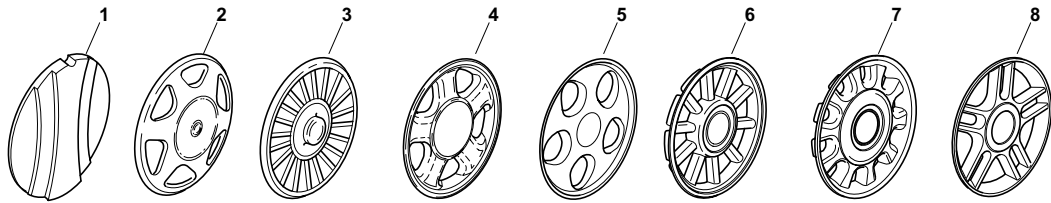
POS.	CODE	Q.TY	DESCRIZIONE	DESCRIPTION	DESCRIPTION	BESCHREIBUNG	REMARKS
1	22110252/1		Coprimozzo Bianco	Hub Cap White	Couvre-Moyeu	Radkappe Weiße	
1	22110254/1		Coprimozzo Giallo	Hub Cap Yellow	Couvre-Moyeu	Radkappe Gelbe	
1	22110255/1		Coprimozzo Rosso	Hub Cap Red	Couvre-Moyeu	Radkappe Rote	
2	22110344/0		Coprimozzo Bianco	Hub Cap White	Couvre-Moyeu	Radkappe Weiße	
2	22110395/0		Coprimozzo Grigio	Hub Cap Grey	Couvre-Moyeu Gris	Radkappe Grau	
3	22110347/0		Coprimozzo Grigio	Hub Cap Grey	Couvre-Moyeu Gris	Radkappe Grau	
4	22110381/0		Coprimozzo Grigio	Hub Cap Grey	Couvre-Moyeu Gris	Radkappe Grau	
5	22110416/0		Coprimozzo Grigio	Hub Cap Grey	Couvre-Moyeu Gris	Radkappe Grau	
6	22110495/0		Coprimozzo Grigio	Hub Cap Grey	Couvre-Moyeu Gris	Radkappe Grau	
7	22110493/0		Coprimozzo Grigio	Hub Cap Grey	Couvre-Moyeu Gris	Radkappe Grau	
8	22110491/0		Coprimozzo Grigio	Hub Cap Grey	Couvre-Moyeu Gris	Radkappe Grau	

ENCLOSURE 2

2009

002.0

1 / 1



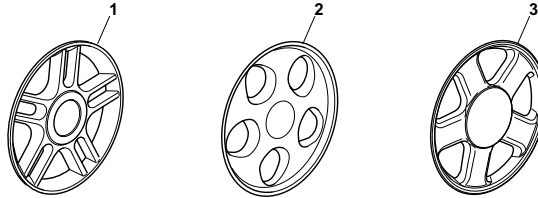
POS.	CODE	Q.TY	DESCRIZIONE	DESCRIPTION	DESCRIPTION	BESCHREIBUNG	REMARKS
1	22110251/0		Coprimezzo Bianco	Hub Cap White	Couvre-Moyeu	Radkappe Weiße	
1	22110253/0		Coprimezzo Giallo	Hub Cap Yellow	Couvre-Moyeu	Radkappe Gelbe	
1	22110256/0		Coprimezzo Rosso	Hub Cap Red	Couvre-Moyeu	Radkappe Rote	
2	22110313/0		Coprimezzo Bianco	Hub Cap White	Couvre-Moyeu	Radkappe Weiße	
2	22110314/0		Coprimezzo Grigio	Hub Cap Grey	Couvre-Moyeu Gris	Radkappe Grau	
3	22110348/0		Coprimezzo Grigio	Hub Cap Grey	Couvre-Moyeu Gris	Radkappe Grau	
4	22110382/0		Coprimezzo Grigio	Hub Cap Grey	Couvre-Moyeu Gris	Radkappe Grau	
5	22110417/0		Coprimezzo Grigio	Hub Cap Grey	Couvre-Moyeu Gris	Radkappe Grau	
6	22110496/0		Coprimezzo Grigio	Hub Cap Grey	Couvre-Moyeu Gris	Radkappe Grau	
7	22110494/0		Coprimezzo Grigio	Hub Cap Grey	Couvre-Moyeu Gris	Radkappe Grau	
8	22110492/0		Coprimezzo Grigio	Hub Cap Grey	Couvre-Moyeu Gris	Radkappe Grau	

ENCLOSURE 3

2009

003.0

1 / 1



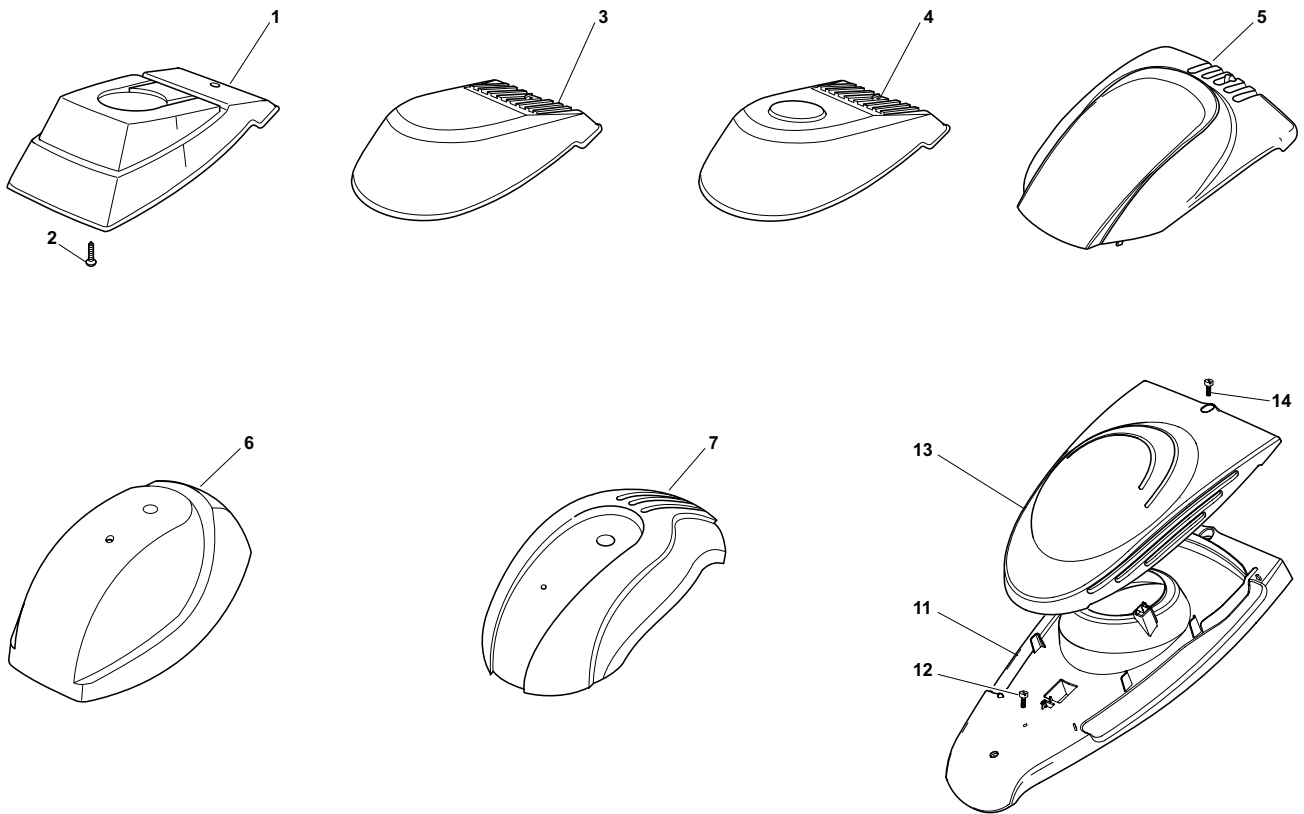
POS.	CODE	Q.TY	DESCRIZIONE	DESCRIPTION	DESCRIPTION	BESCHREIBUNG	REMARKS
1	322110560/0		Coprizzo Grigio	Hub Cap Grey	Couvre-Moyeu Gris	Radkappe Grau	
2	322110590/0		Coprizzo Grigio	Hub Cap Grey	Couvre-Moyeu Gris	Radkappe Grau	
3	22110511/0		Coprizzo Grigio	Hub Cap Grey	Couvre-Moyeu Gris	Radkappe Grau	

ENCLOSURE 4

2009

004.0

1 / 1



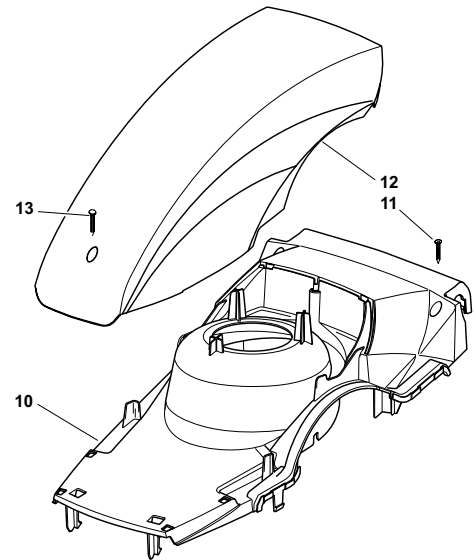
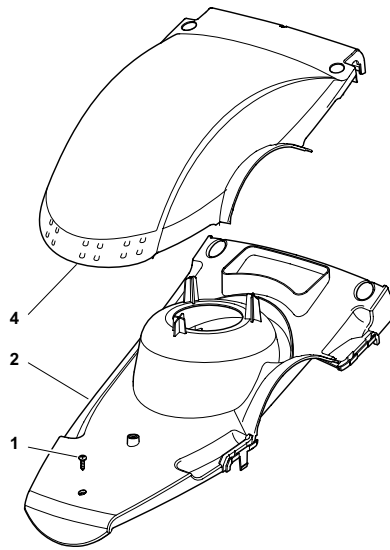
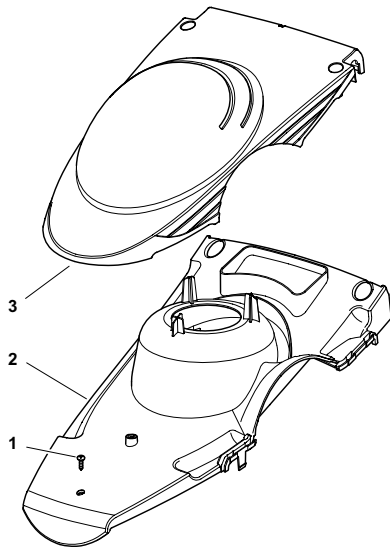
POS.	CODE	Q.TY	DESCRIZIONE	DESCRIPTION	DESCRIPTION	BESCHREIBUNG	REMARKS
1	22055037/2	1	Capottina	Cover	Capot	Haube	
2	12728450/0	1	Vite	Screw	Vis	Schraube	
3	22055059/1	1	Capottina	Cover	Capot	Haube	
4	81002006/1	1	Capottina	Cover	Capot	Haube	
5	22055064/1	1	Capottina	Cover	Capot	Haube	
6	22055063/0	1	Capottina	Cover	Capot	Haube	
7	22055049/1	1	Capottina	Cover	Capot	Haube	
11	22785205/0	1	Supporto Capottina	Support, Cover	Support Capot	Halter, Haube	
12	12728525/0	1	Vite	Screw	Vis	Schraube	
13	22055106/0	1	Capottina, Rosso	Cover, Red	Capot Rouge	Haube Rot	
13	22055107/0	1	Capottina, Giallo	Cover, Yellow	Capot Jaune	Haube Gelb	
13	22055117/0	1	Capottina, Grigio	Cover, Grey	Capot Grau	Haube Gris	
14	12728710/0	1	Vite	Screw	Vis	Schraube	

ENCLOSURE 5

2009

005.0

1 / 1



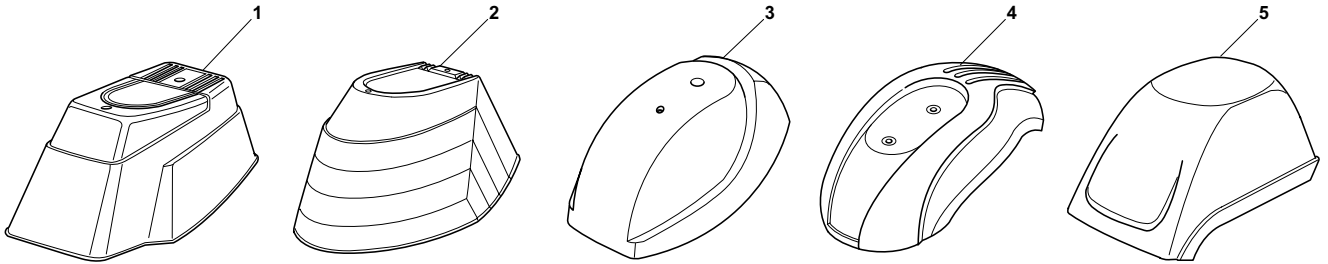
POS.	CODE	Q.TY	DESCRIZIONE	DESCRIPTION	DESCRIPTION	BESCHREIBUNG	REMARKS
1	12728524/0	1	Vite	Screw	Vis	Schraube	
2	322109723/1	1	Supporto Capottina, Grigio	Support, Cover	Support Capot	Halter, Haube	
3	22055108/0	1	Capottina Rosso	Cover Red	Capot Rouge	Haube Rot	
3	22055109/0	1	Capottina Giallo	Cover Yellow	Capot Jaune	Haube Gelb	
3	22055124/0	1	Capottina Grigio	Cover Grey	Capot Gris	Haube Grau	
4	322055479/0	1	Capottina, Rosso	Cover, Red	Capot Rouge	Haube Rot	
4	322055493/0	1	Capottina Giallo	Cover Yellow	Capot Jaune	Haube Gelb	
10	22109733/0	1	Supporto Capottina, Grigio	Support, Cover	Support Capot	Halter, Haube	
11	12728685/0	2	Vite	Screw	Vis	Schraube	
12	22055123/0	1	Capottina Grigio	Cover Grey	Capot Gris	Haube Grau	
13	12728524/0	1	Vite	Screw	Vis	Schraube	

ENCLOSURE 6

2009

006.0

1 / 1



POS.	CODE	Q.TY	DESCRIZIONE	DESCRIPTION	DESCRIPTION	BESCHREIBUNG	REMARKS
1	22055045/1	1	Capottina	Cover	Capot	Haube	
2	22055033/1	1	Capottina	Cover	Capot	Haube	
3	22055058/0	1	Capottina	Cover	Capot	Haube	
4	22055065/0	1	Capottina	Cover	Capot	Haube	
5	22055053/1	1	Capottina	Cover	Capot	Haube	