

Genuine Spare Parts

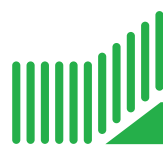
Catalogo delle parti di ricambio
Spare parts catalogue
Catalogue des pieces de rechange
Ersatzteilkatalog

2009

- Use GLOBAL GARDEN PRODUCT Genuine Spare Parts specified in the parts list for repair and/or replacement.
- The contents described in the parts list may change due to improvement.
- The drawings of the spare parts are only indicative and might not represent the part in question exactly.
- The indications "right" - "left" - "front" - "rear" refer to the position of the operator when using the machine.
- When placing orders of parts for repair and/or replacement, make sure that the illustrated parts list is the one applying to the machine's year of manufacture, as shown on the identification plate attached to the machine.

COPYRIGHT by GLOBAL GARDEN PRODUCTS

All rights reserved. No part of this material may be reproduced or transmitted, in any form or by any means, electronic or mechanical, including photocopying, recording or by any information storage and retrieval system, without permission in writing from GLOBAL GARDEN PRODUCTS.



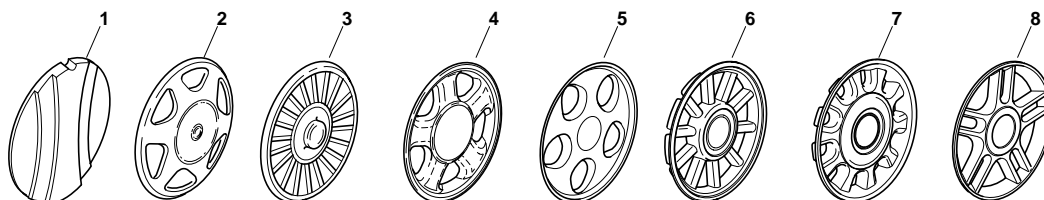
GLOBAL GARDEN PRODUCTS

ENCLOSURE 1

2009

001.0

1 / 1



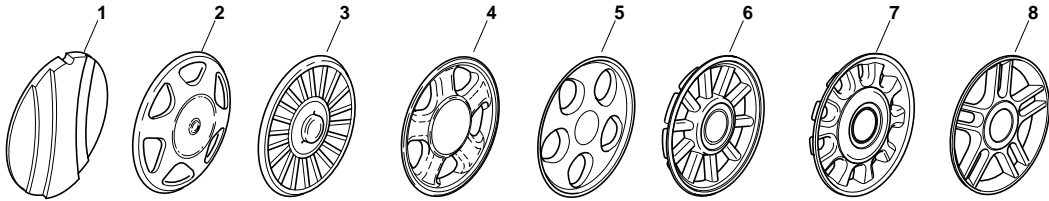
POS.	CODE	Q.TY	DESCRIZIONE	DESCRIPTION	DESCRIPTION	BESCHREIBUNG	REMARKS
1	22110252/1		Coprimozzo Bianco	Hub Cap White	Couvre-Moyeu	Radkappe Weiße	
1	22110254/1		Coprimozzo Giallo	Hub Cap Yellow	Couvre-Moyeu	Radkappe Gelbe	
1	22110255/1		Coprimozzo Rosso	Hub Cap Red	Couvre-Moyeu	Radkappe Rote	
2	22110344/0		Coprimozzo Bianco	Hub Cap White	Couvre-Moyeu	Radkappe Weiße	
2	22110395/0		Coprimozzo Grigio	Hub Cap Grey	Couvre-Moyeu Gris	Radkappe Grau	
3	22110347/0		Coprimozzo Grigio	Hub Cap Grey	Couvre-Moyeu Gris	Radkappe Grau	
4	22110381/0		Coprimozzo Grigio	Hub Cap Grey	Couvre-Moyeu Gris	Radkappe Grau	
5	22110416/0		Coprimozzo Grigio	Hub Cap Grey	Couvre-Moyeu Gris	Radkappe Grau	
6	22110495/0		Coprimozzo Grigio	Hub Cap Grey	Couvre-Moyeu Gris	Radkappe Grau	
7	22110493/0		Coprimozzo Grigio	Hub Cap Grey	Couvre-Moyeu Gris	Radkappe Grau	
8	22110491/0		Coprimozzo Grigio	Hub Cap Grey	Couvre-Moyeu Gris	Radkappe Grau	

ENCLOSURE 2

2009

002.0

1 / 1



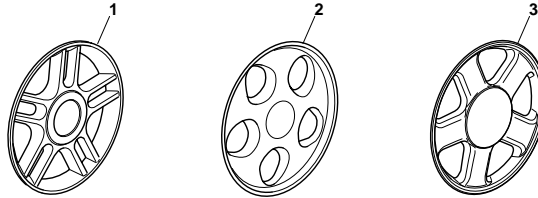
POS.	CODE	Q.TY	DESCRIZIONE	DESCRIPTION	DESCRIPTION	BESCHREIBUNG	REMARKS
1	22110251/0		Coprismozzo Bianco	Hub Cap White	Couvre-Moyeu	Radkappe Weiße	
1	22110253/0		Coprismozzo Giallo	Hub Cap Yellow	Couvre-Moyeu	Radkappe Gelbe	
1	22110256/0		Coprismozzo Rosso	Hub Cap Red	Couvre-Moyeu	Radkappe Rote	
2	22110313/0		Coprismozzo Bianco	Hub Cap White	Couvre-Moyeu	Radkappe Weiße	
2	22110314/0		Coprismozzo Grigio	Hub Cap Grey	Couvre-Moyeu Gris	Radkappe Grau	
3	22110348/0		Coprismozzo Grigio	Hub Cap Grey	Couvre-Moyeu Gris	Radkappe Grau	
4	22110382/0		Coprismozzo Grigio	Hub Cap Grey	Couvre-Moyeu Gris	Radkappe Grau	
5	22110417/0		Coprismozzo Grigio	Hub Cap Grey	Couvre-Moyeu Gris	Radkappe Grau	
6	22110496/0		Coprismozzo Grigio	Hub Cap Grey	Couvre-Moyeu Gris	Radkappe Grau	
7	22110494/0		Coprismozzo Grigio	Hub Cap Grey	Couvre-Moyeu Gris	Radkappe Grau	
8	22110492/0		Coprismozzo Grigio	Hub Cap Grey	Couvre-Moyeu Gris	Radkappe Grau	

ENCLOSURE 3

2009

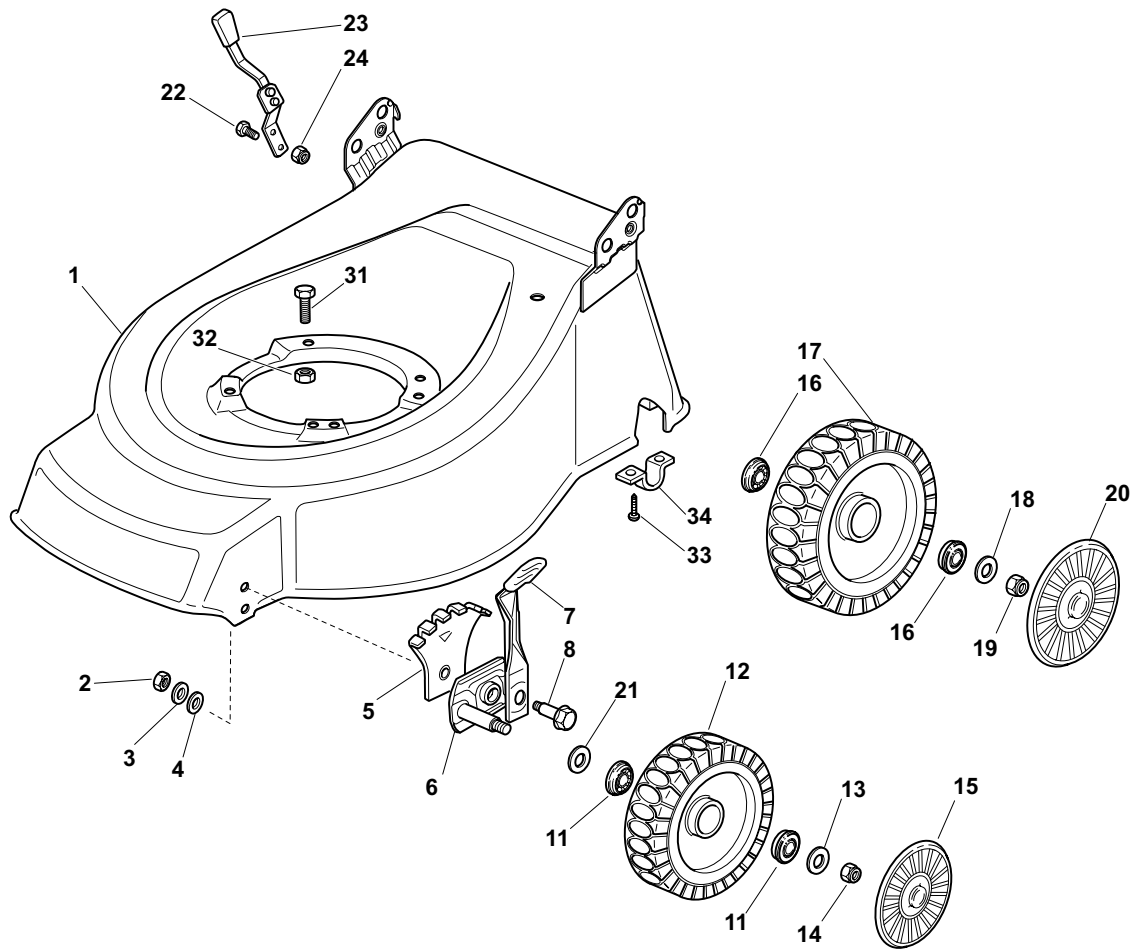
003.0

1 / 1



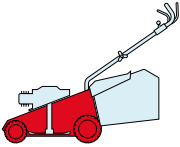
POS.	CODE	Q.TY	DESCRIZIONE	DESCRIPTION	DESCRIPTION	BESCHREIBUNG	REMARKS
1	322110560/0		Coprizzo Grigio	Hub Cap Grey	Couvre-Moyeu Gris	Radkappe Grau	
2	322110590/0		Coprizzo Grigio	Hub Cap Grey	Couvre-Moyeu Gris	Radkappe Grau	
3	22110511/0		Coprizzo Grigio	Hub Cap Grey	Couvre-Moyeu Gris	Radkappe Grau	

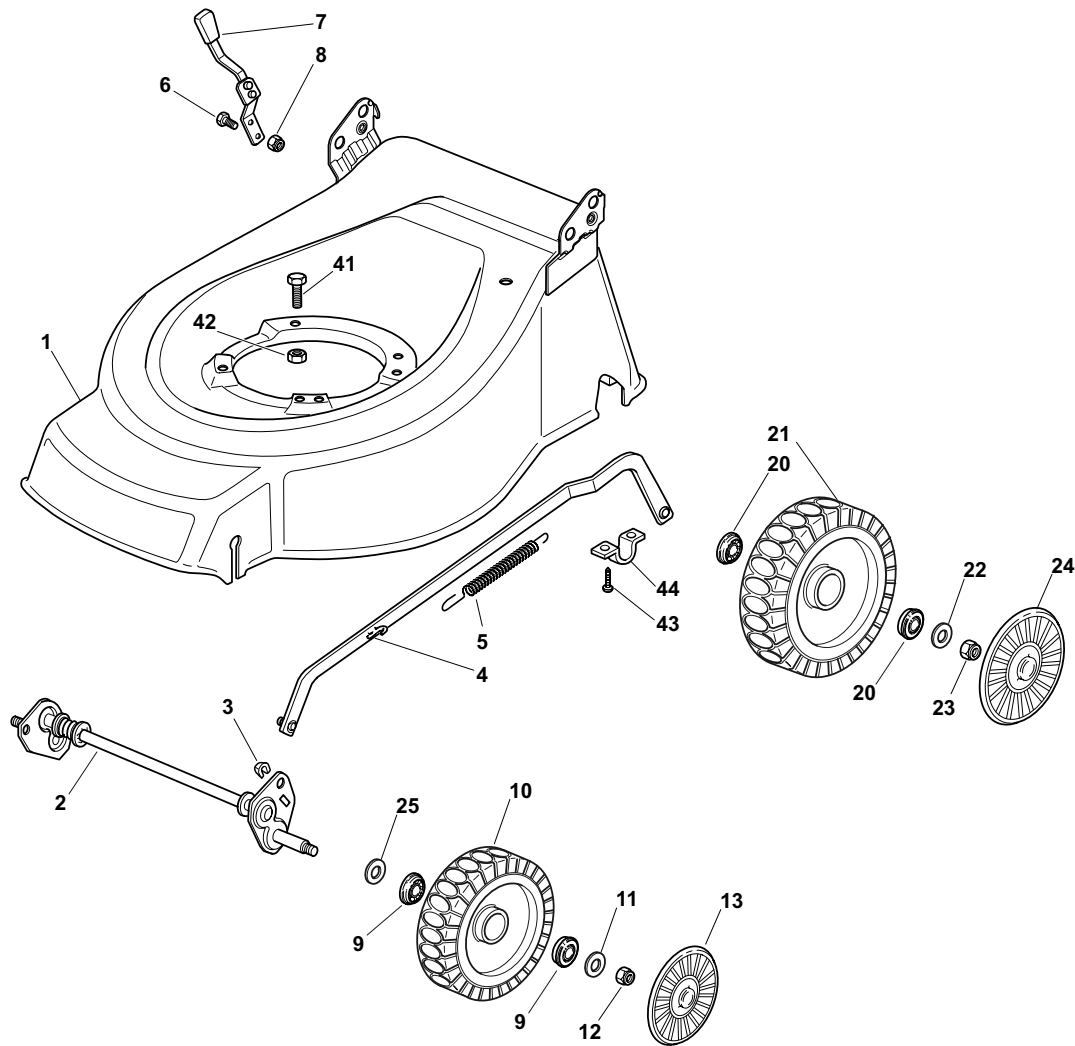
TD				TDL			2009
484				534			16_001
TR	TR-E	TR 4S	TR-E 4S	TR/W	TR 4S/W		1 / 2



POS.	CODE	Q.TY	DESCRIZIONE	DESCRIPTION	DESCRIPTION	BESCHREIBUNG	REMARKS
1	81002429/1	1	Chassis Rosso	Deck Red	Châssis Rouge	Gehäuse Rot	484
1	81002403/1	1	Chassis Rosso	Deck Red	Châssis Rouge	Gehäuse Rot	484 Mulching
1	81001979/1	1	Chassis Rosso	Deck Red	Châssis Rouge	Gehäuse Rot	534
2	12293200/0	2	Dado	Nut	Ecrou	Mutter	
3	12583500/0	2	Grower	Grower	Grower	Federring	
4	12523070/0	2	Rosetta	Washer	Rondelle	Scheibe	
5	22735547/0	2	Settore Regolazione Altezza	Sector, Height Adjustment	Secteur Reglage Hauteur	Sektor, Höheverstellung	
6	81005082/0	2	Supporto Ruota	Support, Wheel	Support Roue	Halter, Rad	
7	81003285/1	2	Leva Regolazione Altezza	Lever, Height Adjustment	Levier, Reglage Hauteur	Hebel, Höheverstellung	
8	22519811/0	2	Perno	Pin	Pivot	Bolzen	
11	22122200/0	4	Cuscinetto	Bearing	Coussinet	Lager	
12	81007336/0	2	Ruota Scolpita Ø 170	Wheel, Knobbly Ø 170	Roue Sculptee Ø 170	Rad M. Stollenpr. Ø 170	
13	12521350/0	2	Rosetta	Washer	Rondelle	Scheibe	
14	12155000/0	2	Dado	Nut	Ecrou	Mutter	
15	-	2	Coprimozzo	Hub Cap	Couvre-Moyeu	Radkappe	(See Enclosure 1)
16	22122200/0	4	Cuscinetto	Bearing	Coussinet	Lager	
17	81007337/0	2	Ruota Scolpita Ø 210	Wheel, Knobbly Ø 210	Roue Sculptee Ø 210	Rad M. Stollenpr. Ø 210	
18	12369500/0	2	Disco Elastico	Elastic Washer	Disque Elastique	Federscheibe	
19	12155000/0	2	Dado	Nut	Ecrou	Mutter	
20	-	2	Coprimozzo	Hub Cap	Couvre-Moyeu	Radkappe	(See Enclosure 2)

POS.	CODE	Q.TY	DESCRIZIONE	DESCRIPTION	DESCRIPTION	BESCHREIBUNG	REMARKS
21	12530150/0	2	Rosetta Elastica	Elastic Washer	Rondelle Elastique	Elastische Scheibe	
22	12789000/0	2	Vite	Screw	Vis	Schraube	
23	81003279/2	1	Leva Regolazione Altezza	Lever, Height Adjustment	Levier, Reglage Hauteur	Hebel, Höheverstellung	
24	12154330/0	2	Dado	Nut	Ecrou	Mutter	
31	12691800/0	0/1	Vite	Screw	Vis	Schraube	
31	12793701/0	3/2	Vite	Screw	Vis	Schraube	
32	12155000/0	0/1	Dado	Nut	Ecrou	Mutter	
32	12293201/0	3/2	Dado	Nut	Ecrou	Mutter	
33	12731350/0	4	Vite	Screw	Vis	Schraube	
34	22545152/0	2	Piastrina	Plate	Plaquette	Platte	

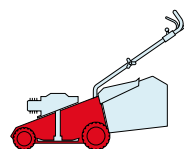
TD				TDL			2009
484				534			16_002
TR	TR-E	TR 4S	TR-E 4S	TR/W	TR 4S/W		1 / 2



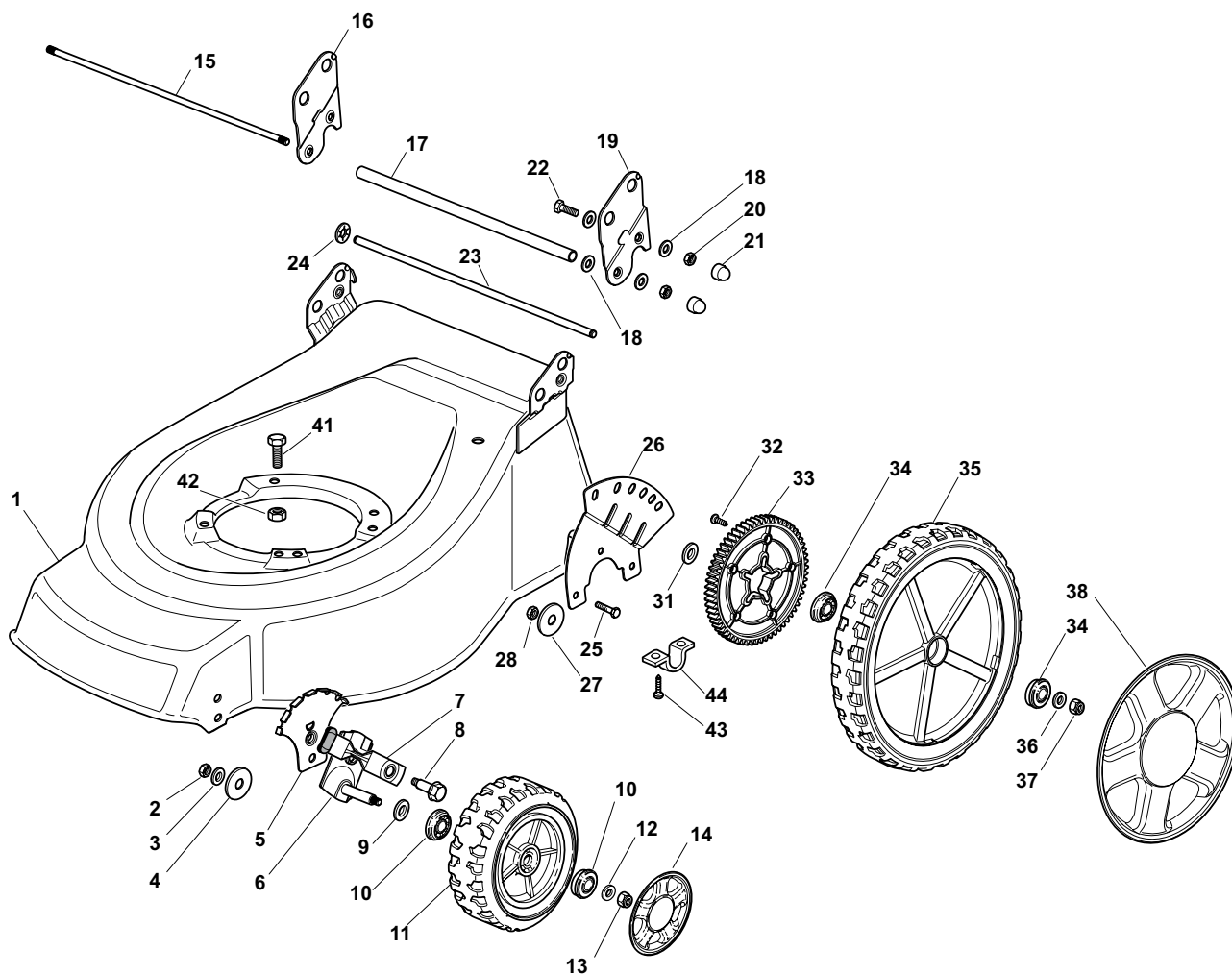
POS.	CODE	Q.TY	DESCRIZIONE	DESCRIPTION	DESCRIPTION	BESCHREIBUNG	REMARKS
1	381003615/1	1	Chassis Rosso	Deck Red	Châssis Rouge	Gehäuse Rot	484
1	381001985/2	1	Chassis Rosso	Deck Red	Châssis Rouge	Gehäuse Rot	534
2	81001274/1	1	Asse Ruote Anteriori	Axle, Front Wheels	Axe Roues Avant	Achse, Vorderrad	484
2	81001223/1	1	Asse Ruote Anteriori	Axle, Front Wheels	Axe Roues Avant	Achse, Vorderrad	534
3	112436051/0	2	Piastrina	Plate	Plaquette	Plättchen	
4	81001276/0	1	Asta Comando Regol. Altezza	Rod, Height Adjustment	Tige Commande Reglage Hauteur	Stange, Höhenverstellung	484
4	81001264/0	1	Asta Comando Regol. Altezza	Rod, Height Adjustment	Tige Commande Reglage Hauteur	Stange, Höhenverstellung	534
5	22446180/0	1	Molla	Spring	Ressort	Feder	
6	12789000/0	2	Vite	Screw	Vis	Schraube	
7	81003279/2	1	Leva Regolazione Altezza	Lever, Height Adjustment	Levier, Reglage Hauteur	Hebel, Höhenverstellung	
8	12154320/0	2	Dado	Nut	Ecrou	Mutter	
9	22122200/0	4	Cuscinetto	Bearing	Coussinet	Lager	
10	81007336/0	2	Ruota Scolpita Ø 170	Wheel, Knobby Ø 170	Roue Sculptee Ø 170	Rad M. Stollenpr. Ø 170	
11	12521350/0	2	Rosetta	Washer	Rondelle	Scheibe	
12	12155000/0	2	Dado	Nut	Ecrou	Mutter	
13	-	2	Coprimezzo	Hub Cap	Couvre-Moyeu	Radkappe	(See Enclosure 1)

POS.	CODE	Q.TY	DESCRIZIONE	DESCRIPTION	DESCRIPTION	BESCHREIBUNG	REMARKS
20	22122200/0	4	Cuscinetto	Bearing	Coussinet	Lager	
21	81007337/0	2	Ruota Scolpita Ø 210	Wheel, Knobbly Ø 210	Roue Sculptee Ø 210	Rad M. Stollenpr. Ø 210	
22	12369500/0	2	Disco Elastico	Elastic Washer	Disque Elastique	Federscheibe	
23	12155000/0	2	Dado	Nut	Ecrou	Mutter	
24	-	2	Coprizzo	Hub Cap	Couvre-Moyeu	Radkappe	(See Enclosure 2)
25	12530150/0	2	Rosetta Elastica	Elastic Washer	Rondelle Elastique	Elastische Scheibe	
41	12691800/0	0/1	Vite	Screw	Vis	Schraube	
41	12793701/0	3/2	Vite	Screw	Vis	Schraube	
42	12155000/0	0/1	Dado	Nut	Ecrou	Mutter	
42	12293201/0	3/2	Dado	Nut	Ecrou	Mutter	
43	12731350/0	4	Vite	Screw	Vis	Schraube	
44	22545152/0	2	Piastrina	Plate	Plaquette	Platte	

TD				TDL	
484				534	
TR	TR-E	TR 4S	TR-E 4S	TR/W	TR 4S/W

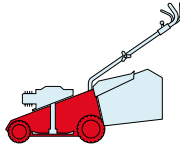


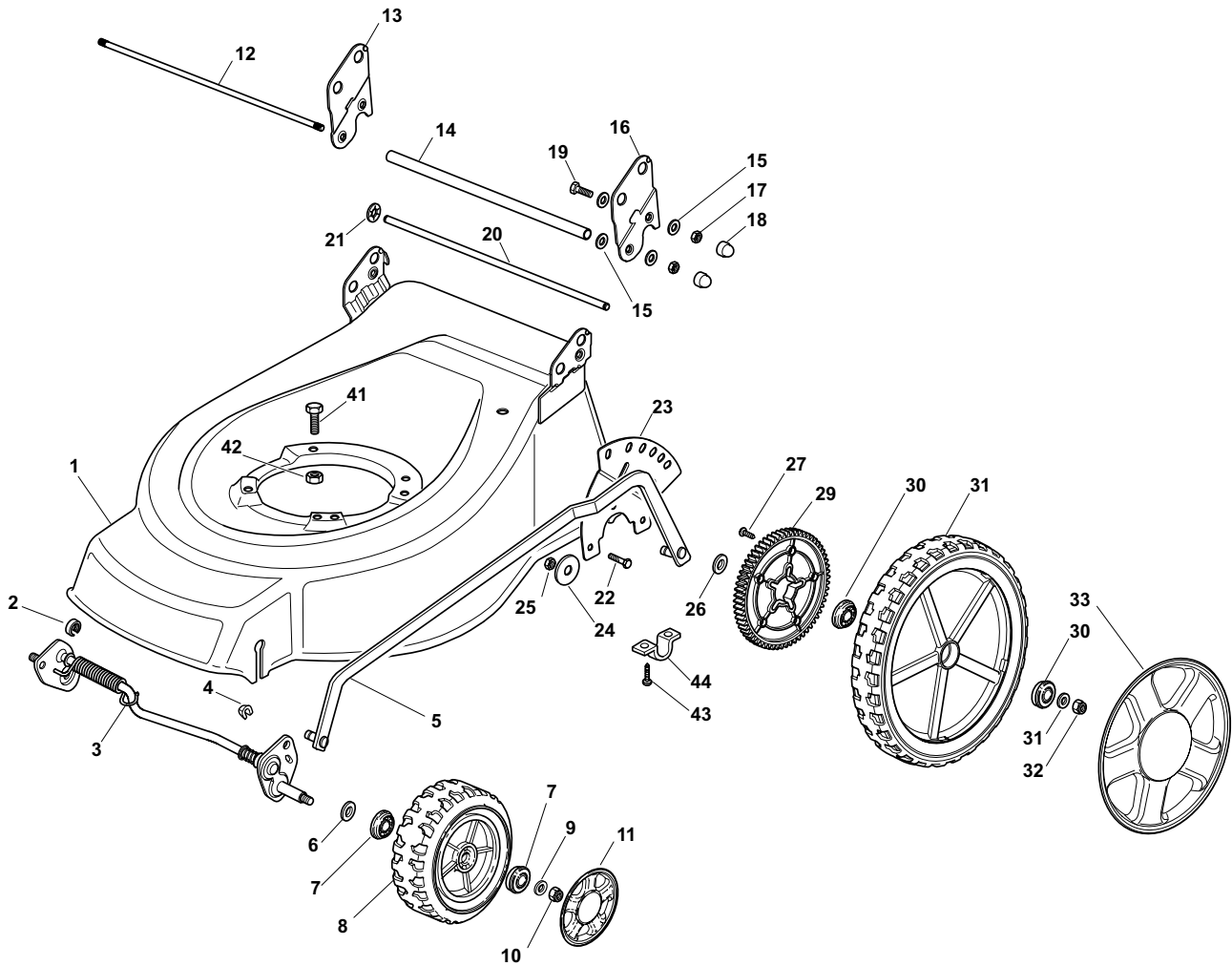
2009
16_003
1 / 2



POS.	CODE	Q.TY	DESCRIZIONE	DESCRIPTION	DESCRIPTION	BESCHREIBUNG	REMARKS
1	81002403/1	1	Chassis Rosso	Deck Red	Châssis Rouge	Gehäuse Rot	484
1	81001979/1	1	Chassis Rosso	Deck Red	Châssis Rouge	Gehäuse Rot	534
2	12293200/0	2	Dado	Nut	Ecrou	Mutter	
3	12583500/0	2	Grower	Grower	Grower	Federring	
4	12523070/0	2	Rosetta	Washer	Rondelle	Scheibe	
5	22735577/0	2	Settore Regolazione Altezza	Sector, Height Adjustment	Secteur Reglage Hauteur	Sektor, Höheverstellung	
6	81005084/0	2	Supporto Ruota	Support, Wheel	Support Roue	Halter, Rad	
7	81003286/0	2	Leva Regolazione Altezza	Lever, Height Adjustment	Levier, Reglage Hauteur	Hebel, Höheverstellung	
8	22519811/0	2	Perno	Pin	Pivot	Bolzen	
9	12530150/0	2	Rosetta	Washer	Rondelle	Scheibe	
10	22122200/0	4	Cuscinetto	Bearing	Coussinet	Lager	
11	81007343/0	2	Ruota Ø 210	Wheel Ø 210	Roue Ø 210	Rad Ø 210	
12	12521350/0	2	Rosetta	Washer	Rondelle	Scheibe	
13	12155000/0	2	Dado	Nut	Ecrou	Mutter	
14	-	2	Coprimozzo	Hub Cap	Couvre-Moyeu	Radkappe	(See Enclosure 2)
15	22517702/1	1	Fulcro Parasassi	Stone Guard Fulcrum	Point D'Appui Parepierres	Drehpunkt Prallblech	
16	22778427/0	1	Staffa Dx	Bracket, R	Bride D	Pratze, Rechte	

POS.	CODE	Q.TY	DESCRIZIONE	DESCRIPTION	DESCRIPTION	BESCHREIBUNG	REMARKS
17	22869717/0	1	Distanziale	Spacer	Entretoise	Distanzring	
18	22671653/0	8	Rosetta	Washer	Rondelle	Scheibe	
19	22778429/0	1	Staffa Sx	Bracket, L	Bride G	Pratze, Linke	
20	12155000/0	4	Dado	Nut	Ecrou	Mutter	
21	18203854/0	4	Cappuccio	Protection	Capuchon	Stecker	
22	12793301/0	2	Vite	Screw	Vis	Schraube	
23	22517860/0	1	Perno	Pin	Pivot	Bolzen	
24	12604899/0	2	Fissatore A Corona	Crown Fastener	Fixateur A Couronne	Kronescheibe	
25	12792611/0	3	Vite	Screw	Vis	Schraube	
26	322735579/1	1	Settore Regolazione Altezza	Sector, Height Adjustment	Secteur Reglage Hauteur	Sektor, Höheverstellung	
27	12523060/0	3	Rosetta	Washer	Rondelle	Scheibe	
28	12155000/0	3	Dado	Nut	Ecrou	Mutter	
31	22675100/0	2	Rosetta	Washer	Rondelle	Scheibe	
32	12728691/0	6	Vite	Screw	Vis	Schraube	
33	22120110/0	2	Ruota Dentata	Sprocket	Couronne	Zahnkettenrad	
34	22122200/0	4	Cuscinetto	Bearing	Coussinet	Lager	
35	81007380/0	2	Ruota Ø 300	Wheel Ø 300	Roue Ø 300	Rad Ø 300	
36	12521350/0	4	Rosetta	Washer	Rondelle	Scheibe	
37	12155000/0	2	Dado	Nut	Ecrou	Mutter	
38	-	2	Coprimezzo	Hub Cap	Couvre-Moyeu	Radkappe	(See Enclosure 3)
41	12691800/0	0/1	Vite	Screw	Vis	Schraube	
41	12793701/0	3/2	Vite	Screw	Vis	Schraube	
42	12155000/0	0/1	Dado	Nut	Ecrou	Mutter	
42	12293201/0	3/2	Dado	Nut	Ecrou	Mutter	
43	12731350/0	4	Vite	Screw	Vis	Schraube	
44	22545152/0	2	Piastrina	Plate	Plaquette	Platte	

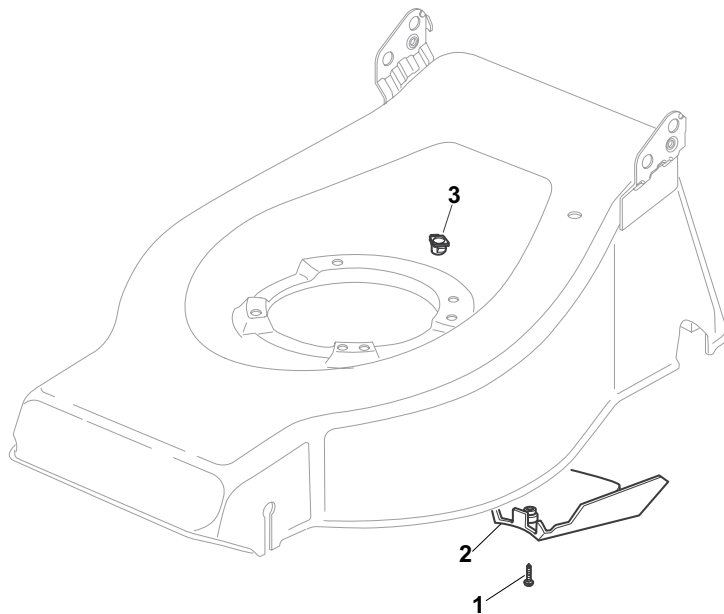
TD				TDL			2009
484				534			16_004
TR	TR-E	TR 4S	TR-E 4S	TR/W	TR 4S/W		1 / 2



POS.	CODE	Q.TY	DESCRIZIONE	DESCRIPTION	DESCRIPTION	BESCHREIBUNG	REMARKS
1	381003690/0	1	Chassis Rosso	Deck Red	Châssis Rouge	Gehäuse Rot	484
1	381003693/0	1	Chassis Rosso	Deck Red	Châssis Rouge	Gehäuse Rot	534
2	22171002/0	2	Distanziale	Spacer	Entretoise	Distanzring	
3	381002861/0	1	Asse Ruote Anteriori	Axle, Front Wheels	Axe Roues Avant	Achse, Vorderrad	484
3	381002859/0	1	Asse Ruote Anteriori	Axle, Front Wheels	Axe Roues Avant	Achse, Vorderrad	534
4	12436050/0	2	Piastrina	Plate	Plaquette	Plättchen	
5	381001999/0	1	Asta Comando Regol. Altezza	Rod, Height Adjustment	Tige Commande Reglage Hauteur	Stange, Höherstellung	484
5	381002017/0	1	Asta Comando Regol. Altezza	Rod, Height Adjustment	Tige Commande Reglage Hauteur	Stange, Höherstellung	534
6	12530150/0	2	Rosetta	Washer	Rondelle	Scheibe	
7	22122200/0	4	Cuscinetto	Bearing	Coussinet	Lager	
8	81007343/0	2	Ruota Ø 210	Wheel Ø 210	Roue Ø 210	Rad Ø 210	
9	12521350/0	2	Rosetta	Washer	Rondelle	Scheibe	
10	12155000/0	2	Dado	Nut	Ecrou	Mutter	
11	-	2	Coprimozzo	Hub Cap	Couvre-Moyeu	Radkappe	(See Enclosure 2)
12	22517702/1	1	Fulcro Parasassi	Stone Guard Fulcrum	Point D'Appui Parepierres	Drehpunkt Prallblech	
13	22778427/0	1	Staffa Dx	Bracket, R	Bride D	Pratze, Rechte	

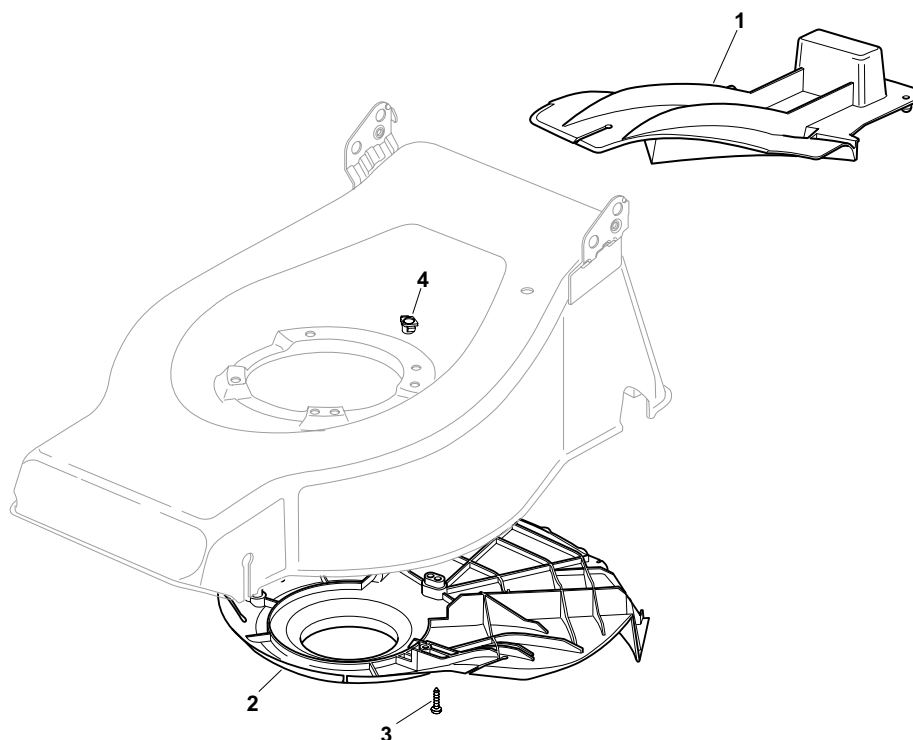
POS.	CODE	Q.TY	DESCRIZIONE	DESCRIPTION	DESCRIPTION	BESCHREIBUNG	REMARKS
14	22869717/0	1	Distanziale	Spacer	Entretoise	Distanzring	
15	22671653/0	8	Rosetta	Washer	Rondelle	Scheibe	
16	22778429/0	1	Staffa Sx	Bracket, L	Bride G	Pratze, Linke	
17	12155000/0	4	Dado	Nut	Ecrou	Mutter	
18	18203854/0	4	Cappuccio	Protection	Capuchon	Stecker	
19	12793301/0	2	Vite	Screw	Vis	Schraube	
20	22517860/0	1	Perno	Pin	Pivot	Bolzen	
21	12604899/0	2	Fissatore A Corona	Crown Fastener	Fixateur A Couronne	Kronescheibe	
22	12792611/0	3	Vite	Screw	Vis	Schraube	
23	322735579/1	1	Settore Regolazione Altezza	Sector, Height Adjustment	Secteur Reglage Hauteur	Sektor, Höheverstellung	
24	12523060/0	3	Rosetta	Washer	Rondelle	Scheibe	
25	12155000/0	3	Dado	Nut	Ecrou	Mutter	
26	22675100/0	2	Rosetta	Washer	Rondelle	Scheibe	
27	12728691/0	6	Vite	Screw	Vis	Schraube	
28	22120110/0	2	Ruota Dentata	Sprocket	Couronne	Zahnkettenrad	
29	22122200/0	4	Cuscinetto	Bearing	Coussinet	Lager	
30	81007380/0	2	Ruota Ø 300	Wheel Ø 300	Roue Ø 300	Rad Ø 300	
31	12521350/0	4	Rosetta	Washer	Rondelle	Scheibe	
32	12155000/0	2	Dado	Nut	Ecrou	Mutter	
33	-	2	Coprismozzo	Hub Cap	Couvre-Moyeu	Radkappe	(See Enclosure 3)
41	12691800/0	0/1	Vite	Screw	Vis	Schraube	
41	12793701/0	3/2	Vite	Screw	Vis	Schraube	
42	12155000/0	0/1	Dado	Nut	Ecrou	Mutter	
42	12293201/0	3/2	Dado	Nut	Ecrou	Mutter	
43	12731350/0	4	Vite	Screw	Vis	Schraube	
44	22545152/0	2	Piastrina	Plate	Plaquette	Platte	

TD			TDL			2009
484			534			16_005
TR	TR-E	TR 4S	TR-E 4S	TR/W	TR 4S/W	1 / 1



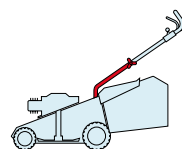
POS.	CODE	Q.TY	DESCRIZIONE	DESCRIPTION	DESCRIPTION	BESCHREIBUNG	REMARKS
1	12728530/0	1	Vite	Screw	Vis	Schraube	
2	22060192/0	1	Carter Cinghia	Protection, Belt	Protection	Schutz, Riemen	484
2	22060193/0	1	Carter Cinghia	Protection, Belt	Protection	Schutz, Riemen	534
3	22291150/0	1	Inserto In Gomma	Rubber Insert	Insert De	Gummi Einsatz	

TD			TDL			2009
484			534			16_006
TR	TR-E	TR 4S	TR-E 4S	TR/W	TR 4S/W	1 / 1

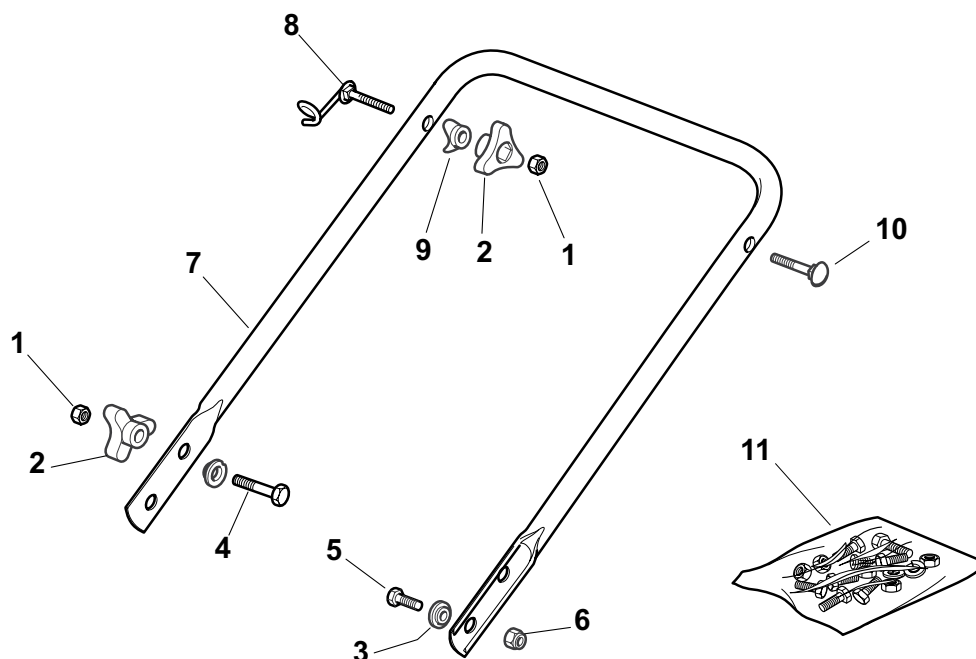


POS.	CODE	Q.TY	DESCRIZIONE	DESCRIPTION	DESCRIPTION	BESCHREIBUNG	REMARKS
1	22140223/0	1	Deflettore	Deflector	Deflecteur	Deflektor	484
1	22140222/0	1	Deflettore	Deflector	Deflecteur	Deflektor	534
2	22060199/0	1	Carter	Protection	Protection	Schutz	484
2	322060197/2	1	Carter	Protection	Protection	Schutz	534
3	12728530/0	3	Vite	Screw	Vis	Schraube	
4	22291150/0	1	Inserto In Gomma	Rubber Insert	Insert De	Gummi Einsatz	

TD			TDL		
484			534		
TR	TR-E	TR 4S	TR-E 4S	TR/W	TR 4S/W

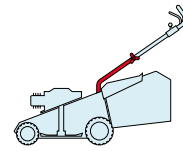


2009
16_007
1 / 2

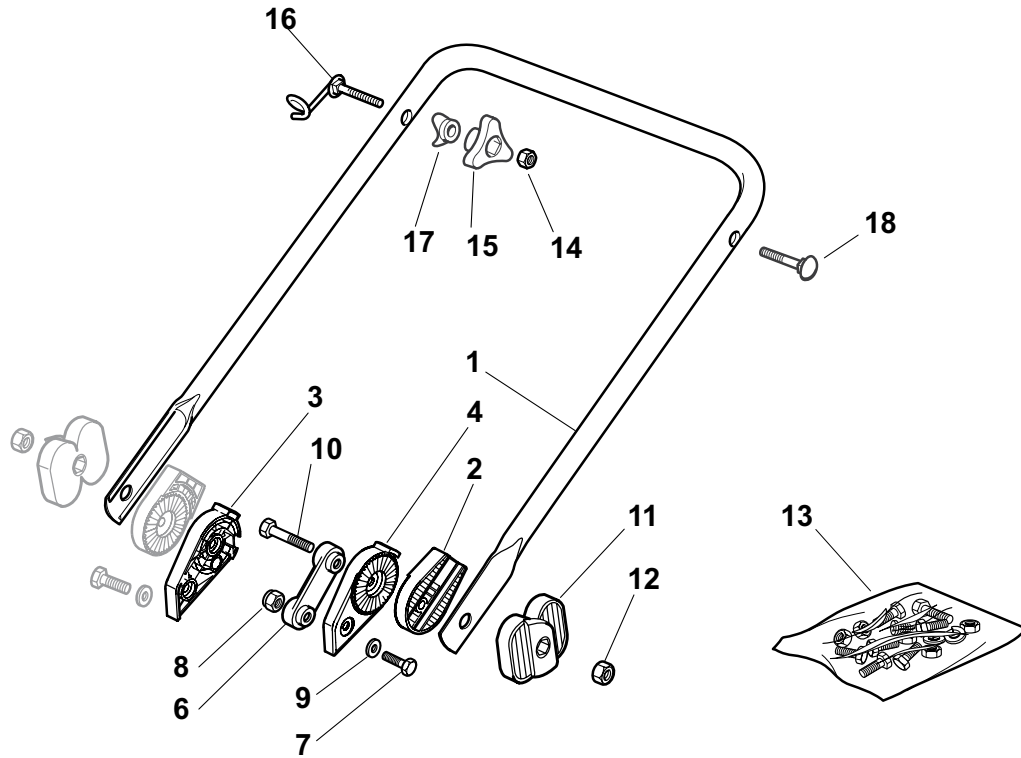


POS.	CODE	Q.TY	DESCRIZIONE	DESCRIPTION	DESCRIPTION	BESCHREIBUNG	REMARKS
1	12293200/0	4	Dado	Nut	Ecrou	Mutter	
2	22399900/0	4	Manopolina	Knob	Poignée	Griff	
3	22041955/0	4	Bussola	Bush	Douille	Buchse	
4	12793700/0	2	Vite	Screw	Vis	Schraube	
5	12792610/0	2	Vite	Screw	Vis	Schraube	
6	12155000/0	2	Dado	Nut	Ecrou	Mutter	
7	81006512/0	1	Manico, Parte Inf	Handle, Lower Part	Mancheron, Partie Inférieure	Holm, Unterteil	
8	81003801/1	1	Molla Guida	Spring	Ressort	Feder	
9	22680006/1	2	Rosetta	Washer	Rondelle	Scheibe	
10	12819201/0	1	Vite	Screw	Vis	Schraube	
11	81008614/3	1	Dotazione Viteria	Outfit, Screws	Dotation Visserie	Satz, Schrauben	

TD			TDL		
484			534		
TR	TR-E	TR 4S	TR-E 4S	TR/W	TR 4S/W

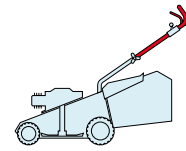


2009
16_008
1 / 1

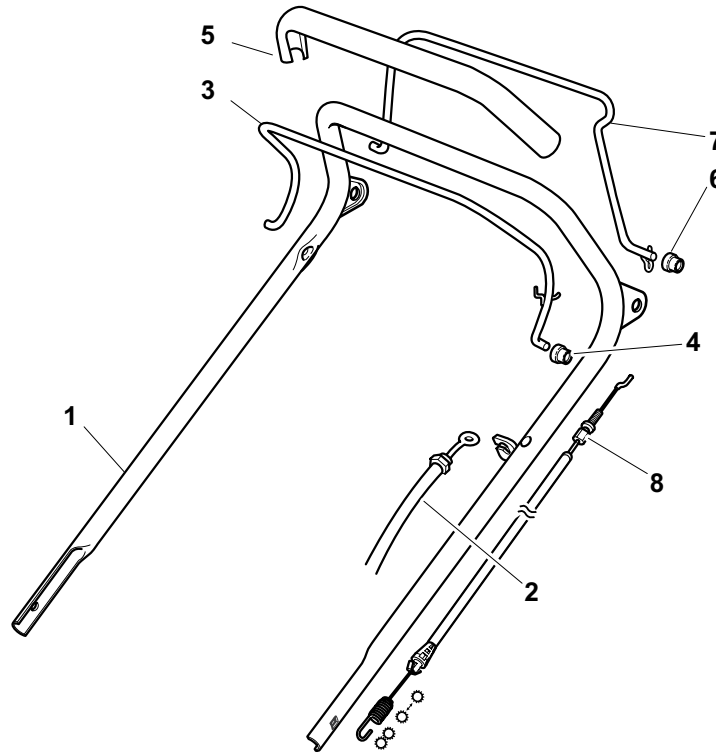


POS.	CODE	Q.TY	DESCRIZIONE	DESCRIPTION	DESCRIPTION	BESCHREIBUNG	REMARKS
1	81006532/0	1	Manico, Parte Inf	Handle, Lower Part	Mancheron, Partie Inférieure	Holm, Unterteil	
2	22785081/1	2	Supporto Esterno	Support, External	Support Externe	Halter, Äußere	
3	22785082/0	1	Supporto Interno Dx	Support, R Internal	Support Interne D	Halter, Innere R	
4	22785083/1	1	Supporto Interno Sx	Support, L Internal	Support Interne G	Halter, Innere L	
6	22551575/0	2	Piastrina Interna	Plate, Inside	Plaquette Interne	Platte, Innere	
7	12793301/0	2	Vite	Screw	Vis	Schraube	
8	12155000/0	2	Dado	Nut	Ecrou	Mutter	
9	12521350/0	2	Rosetta	Washer	Rondelle	Scheibe	
10	12691810/0	2	Vite	Screw	Vis	Schraube	
11	22399803/0	2	Manopolina	Knob	Poignée	Griff	
12	12293202/0	2	Dado	Nut	Ecrou	Mutter	
13	81008623/1	1	Dotazione Viteria	Outfit, Screws	Dotation Visserie	Satz, Schrauben	
14	12293200/0	2	Dado	Nut	Ecrou	Mutter	
15	22399900/0	2	Manopolina	Knob	Poignée	Griff	
16	81003801/1	1	Molla Guida	Spring	Ressort	Feder	
17	22680006/1	2	Rosetta	Washer	Rondelle	Scheibe	
18	12819201/0	1	Vite	Screw	Vis	Schraube	

TD			TDL		
484			534		
TR	TR-E	TR 4S	TR-E 4S	TR/W	TR 4S/W

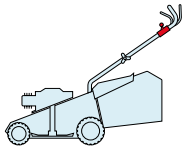


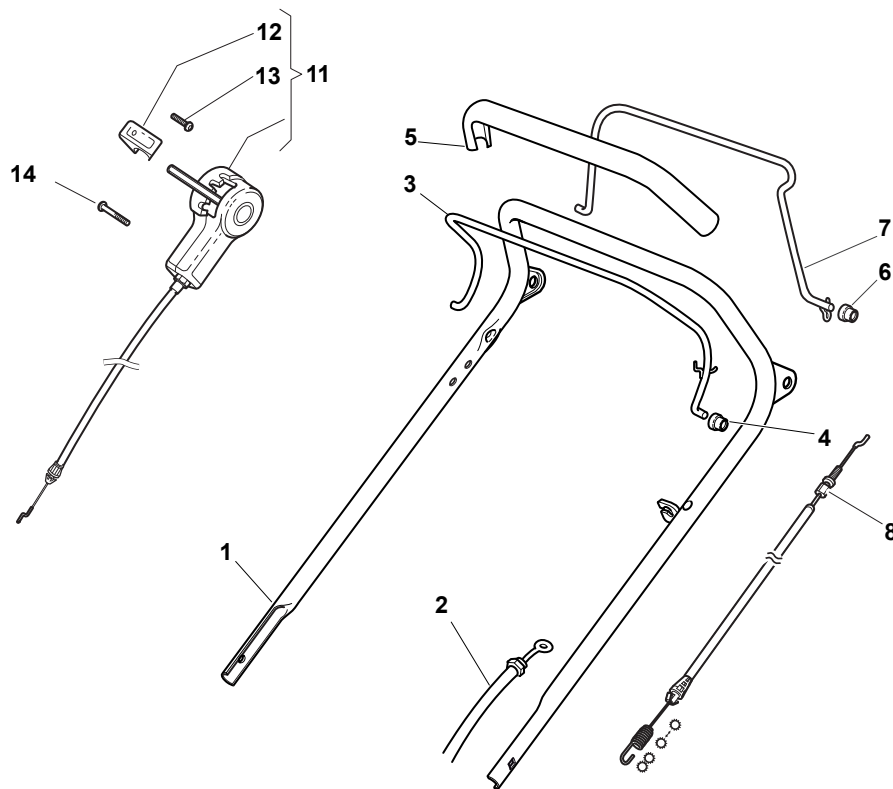
2009
16_009
1 / 2



POS.	CODE	Q.TY	DESCRIZIONE	DESCRIPTION	DESCRIPTION	BESCHREIBUNG	REMARKS
1	81007024/0	1	Manico, Parte Sup	Handle, Upper Part	Mancheron, Partie Supérieure	Holm, Oberteil	
2	81000611/0	1	Cavo Freno Motore	Cable, Thread Engine Brake	Cable Frein Moteur	Kabel, Motorbremse	(Ggp 150cc)
2	81000625/0	1	Cavo Freno Motore	Cable, Thread Engine Brake	Cable Frein Moteur	Kabel, Motorbremse	434 - 484 (B&S 450-500 Series)
2	81000642/1	1	Cavo Freno Motore	Cable, Thread Engine Brake	Cable Frein Moteur	Kabel, Motorbremse	434 (B&S 625-675 Series)
2	81000642/1	1	Cavo Freno Motore	Cable, Thread Engine Brake	Cable Frein Moteur	Kabel, Motorbremse	434 (Ggp 140cc)
2	81000642/1	1	Cavo Freno Motore	Cable, Thread Engine Brake	Cable Frein Moteur	Kabel, Motorbremse	434 (Ggp 160cc)
2	81000641/0	1	Cavo Freno Motore	Cable, Thread Engine Brake	Cable Frein Moteur	Kabel, Motorbremse	434 (Honda Gcv 135)
2	81000757/0	1	Cavo Freno Motore	Cable, Thread Engine Brake	Cable Frein Moteur	Kabel, Motorbremse	484 (B&S 675 Series Es)
2	81000757/0	1	Cavo Freno Motore	Cable, Thread Engine Brake	Cable Frein Moteur	Kabel, Motorbremse	484 (B&S 625-675 Series)
2	81000757/0	1	Cavo Freno Motore	Cable, Thread Engine Brake	Cable Frein Moteur	Kabel, Motorbremse	484 (Ggp 140cc)
2	81000757/0	1	Cavo Freno Motore	Cable, Thread Engine Brake	Cable Frein Moteur	Kabel, Motorbremse	484 (Ggp 160cc)
2	81000641/0	1	Cavo Freno Motore	Cable, Thread Engine Brake	Cable Frein Moteur	Kabel, Motorbremse	484 (Honda Gcv 135-160)
2	81000643/0	1	Cavo Freno Motore	Cable, Thread Engine Brake	Cable Frein Moteur	Kabel, Motorbremse	534 (B&S 500 Series)
2	81000756/0	1	Cavo Freno Motore	Cable, Thread Engine Brake	Cable Frein Moteur	Kabel, Motorbremse	534 (B&S 675 Series Es)
2	81000756/0	1	Cavo Freno Motore	Cable, Thread Engine Brake	Cable Frein Moteur	Kabel, Motorbremse	534 (B&S 625-675 Series)
2	181030009/0	1	Cavo Freno Motore	Cable, Thread Engine Brake	Cable Frein Moteur	Kabel, Motorbremse	534 (B&S 700 Series)
2	81000756/0	1	Cavo Freno Motore	Cable, Thread Engine Brake	Cable Frein Moteur	Kabel, Motorbremse	534 (Ggp 140cc)
2	81000756/0	1	Cavo Freno Motore	Cable, Thread Engine Brake	Cable Frein Moteur	Kabel, Motorbremse	534 (Ggp 160cc)
2	81000756/0	1	Cavo Freno Motore	Cable, Thread Engine Brake	Cable Frein Moteur	Kabel, Motorbremse	534 (Ggp 196cc)
2	81000640/0	1	Cavo Freno Motore	Cable, Thread Engine Brake	Cable Frein Moteur	Kabel, Motorbremse	534 (Honda Gcv 135-160-190)
2	81000611/0	1	Cavo Freno Motore	Cable, Thread Engine Brake	Cable Frein Moteur	Kabel, Motorbremse	484 W TR (Ggp 150cc)

POS.	CODE	Q.TY	DESCRIZIONE	DESCRIPTION	DESCRIPTION	BESCHREIBUNG	REMARKS
2	81000616/1	1	Cavo Freno Motore	Cable, Thread Engine Brake	Cable Frein Moteur	Kabel, Motorbremse	484 W TR (Ggp 140cc)
2	81000616/1	1	Cavo Freno Motore	Cable, Thread Engine Brake	Cable Frein Moteur	Kabel, Motorbremse	484 W TR (Ggp 160cc)
2	81000616/1	1	Cavo Freno Motore	Cable, Thread Engine Brake	Cable Frein Moteur	Kabel, Motorbremse	484 W TR (B&S 450-500 Series)
2	81000616/1	1	Cavo Freno Motore	Cable, Thread Engine Brake	Cable Frein Moteur	Kabel, Motorbremse	484 W TR (B&S 625-675 Series)
2	81000616/1	1	Cavo Freno Motore	Cable, Thread Engine Brake	Cable Frein Moteur	Kabel, Motorbremse	484 W TR (Honda Gcv 135-160)
2	81000622/2	1	Cavo Freno Motore	Cable, Thread Engine Brake	Cable Frein Moteur	Kabel, Motorbremse	534 W TR (Ggp 150cc)
2	81000756/0	1	Cavo Freno Motore	Cable, Thread Engine Brake	Cable Frein Moteur	Kabel, Motorbremse	534 W TR (Ggp 140cc)
2	81000756/0	1	Cavo Freno Motore	Cable, Thread Engine Brake	Cable Frein Moteur	Kabel, Motorbremse	534 W TR (Ggp 160cc)
2	81000756/0	1	Cavo Freno Motore	Cable, Thread Engine Brake	Cable Frein Moteur	Kabel, Motorbremse	534 W TR (Ggp 196cc)
2	181000761/0	1	Cavo Freno Motore	Cable, Thread Engine Brake	Cable Frein Moteur	Kabel, Motorbremse	534 W TR (B&S 500 Series)
2	181000761/0	1	Cavo Freno Motore	Cable, Thread Engine Brake	Cable Frein Moteur	Kabel, Motorbremse	534 W TR (B&S 625-675 Series)
2	181030009/0	1	Cavo Freno Motore	Cable, Thread Engine Brake	Cable Frein Moteur	Kabel, Motorbremse	534 W TR (B&S 700 Series)
2	81000616/1	1	Cavo Freno Motore	Cable, Thread Engine Brake	Cable Frein Moteur	Kabel, Motorbremse	534 W TR (Honda Gcv 135-160)
3	81003291/3	1	Leva Freno Motore	Lever, Engine Brake	Levier Frein Moteur	Hebel, Motorbremse	
4	22041966/0	2	Bussola	Bush	Douille	Buchse	
5	22291050/0	1	Impugnatura Manico Nera	Handgrip Black	Poignée Noire	Handgriff Schwarz	
6	22041965/1	2	Bussola	Bush	Douille	Buchse	
7	81003288/1	1	Leva Trazione	Lever, Driving	Levier Traction	Hebel, Antrieb	
8	81000672/0	1	Cavo Comando Trazione	Cable, Rear Drive	Câble, Commande Traction	Kabel, Antrieb	(Bi Ci Di)
8	81000668/1	1	Cavo Comando Trazione	Cable, Rear Drive	Câble, Commande Traction	Kabel, Antrieb	(General Transmission)

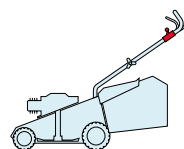
TD				TDL			2009
484				534			16_010
TR	TR-E	TR 4S	TR-E 4S	TR/W	TR 4S/W		1 / 2



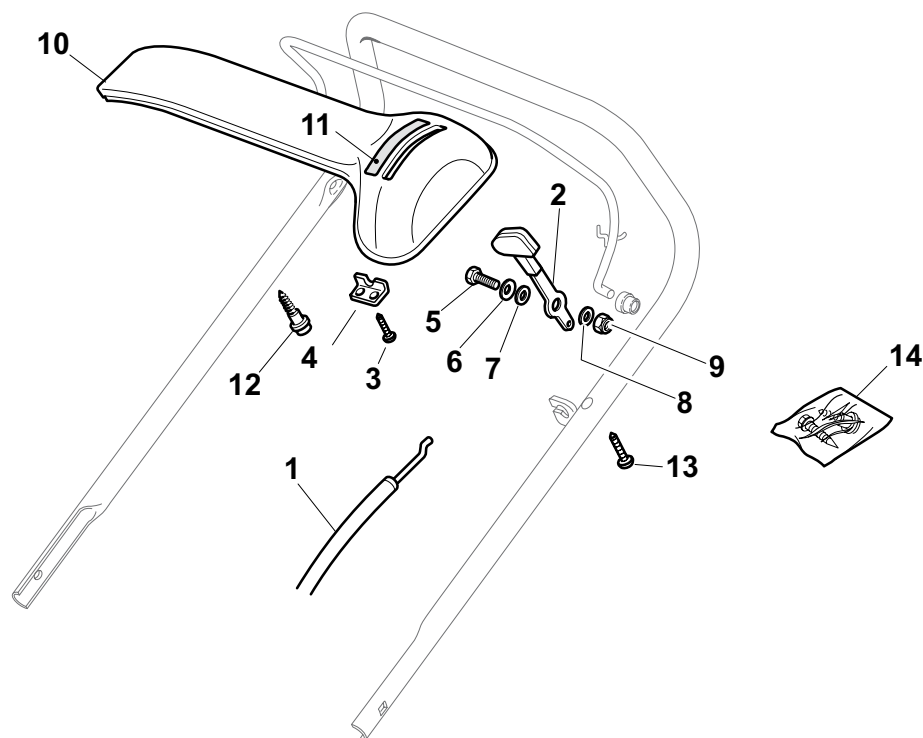
POS.	CODE	Q.TY	DESCRIZIONE	DESCRIPTION	DESCRIPTION	BESCHREIBUNG	REMARKS
1	81006863/0	1	Manico, Parte Sup	Handle, Upper Part	Mancheron, Partie Supérieure	Holm, Oberteil	
2	81000757/0	1	Cavo Freno Motore	Cable, Thread Engine Brake	Cable Frein Moteur	Kabel, Motorbremse	484 (B&S 675 Series Es)
2	81000757/0	1	Cavo Freno Motore	Cable, Thread Engine Brake	Cable Frein Moteur	Kabel, Motorbremse	484 (B&S 625-675 Series)
2	81000757/0	1	Cavo Freno Motore	Cable, Thread Engine Brake	Cable Frein Moteur	Kabel, Motorbremse	484 (Ggp 140cc)
2	81000757/0	1	Cavo Freno Motore	Cable, Thread Engine Brake	Cable Frein Moteur	Kabel, Motorbremse	484 (Ggp 160cc)
2	81000641/0	1	Cavo Freno Motore	Cable, Thread Engine Brake	Cable Frein Moteur	Kabel, Motorbremse	484 (Honda Gcv 135-160)
2	81000756/0	1	Cavo Freno Motore	Cable, Thread Engine Brake	Cable Frein Moteur	Kabel, Motorbremse	534 (B&S 675 Series Es)
2	81000756/0	1	Cavo Freno Motore	Cable, Thread Engine Brake	Cable Frein Moteur	Kabel, Motorbremse	534 (B&S 625-675 Series)
2	181030009/0	1	Cavo Freno Motore	Cable, Thread Engine Brake	Cable Frein Moteur	Kabel, Motorbremse	534 (B&S 700 Series)
2	81000756/0	1	Cavo Freno Motore	Cable, Thread Engine Brake	Cable Frein Moteur	Kabel, Motorbremse	534 (Ggp 160cc)
2	81000756/0	1	Cavo Freno Motore	Cable, Thread Engine Brake	Cable Frein Moteur	Kabel, Motorbremse	534 (Ggp 196cc)
2	81000640/0	1	Cavo Freno Motore	Cable, Thread Engine Brake	Cable Frein Moteur	Kabel, Motorbremse	534 (Honda Gcv 135-160-190)
2	81000611/0	1	Cavo Freno Motore	Cable, Thread Engine Brake	Cable Frein Moteur	Kabel, Motorbremse	484 W TR (Ggp 150cc)
2	81000616/1	1	Cavo Freno Motore	Cable, Thread Engine Brake	Cable Frein Moteur	Kabel, Motorbremse	484 W TR (Ggp 140cc)
2	81000616/1	1	Cavo Freno Motore	Cable, Thread Engine Brake	Cable Frein Moteur	Kabel, Motorbremse	484 W TR (Ggp 160cc)
2	81000616/1	1	Cavo Freno Motore	Cable, Thread Engine Brake	Cable Frein Moteur	Kabel, Motorbremse	484 W TR (B&S 450-500 Series)
2	81000616/1	1	Cavo Freno Motore	Cable, Thread Engine Brake	Cable Frein Moteur	Kabel, Motorbremse	484 W TR (B&S 625-675 Series)
2	81000616/1	1	Cavo Freno Motore	Cable, Thread Engine Brake	Cable Frein Moteur	Kabel, Motorbremse	484 W TR (Honda Gcv 135-160)
2	81000622/2	1	Cavo Freno Motore	Cable, Thread Engine Brake	Cable Frein Moteur	Kabel, Motorbremse	534 W TR (Ggp 150cc)
2	81000756/0	1	Cavo Freno Motore	Cable, Thread Engine Brake	Cable Frein Moteur	Kabel, Motorbremse	534 W TR (Ggp 140cc)

POS.	CODE	Q.TY	DESCRIZIONE	DESCRIPTION	DESCRIPTION	BESCHREIBUNG	REMARKS
2	81000756/0	1	Cavo Freno Motore	Cable, Thread Engine Brake	Cable Frein Moteur	Kabel, Motorbremse	534 W TR (Ggp 160cc)
2	81000756/0	1	Cavo Freno Motore	Cable, Thread Engine Brake	Cable Frein Moteur	Kabel, Motorbremse	534 W TR (Ggp 196cc)
2	181000761/0	1	Cavo Freno Motore	Cable, Thread Engine Brake	Cable Frein Moteur	Kabel, Motorbremse	534 W TR (B&S 500 Series)
2	181000761/0	1	Cavo Freno Motore	Cable, Thread Engine Brake	Cable Frein Moteur	Kabel, Motorbremse	534 W TR (B&S 625-675 Series)
2	181030009/0	1	Cavo Freno Motore	Cable, Thread Engine Brake	Cable Frein Moteur	Kabel, Motorbremse	534 W TR (B&S 700 Series)
2	81000616/1	1	Cavo Freno Motore	Cable, Thread Engine Brake	Cable Frein Moteur	Kabel, Motorbremse	534 W TR (Honda Gcv 135-160)
3	81003291/3	1	Leva Freno Motore	Lever, Engine Brake	Levier Frein Moteur	Hebel, Motorbremse	
4	22041966/0	2	Bussola	Bush	Douille	Buchse	
5	22291050/0	1	Impugnatura Manico Nera	Handgrip Black	Poignée Noire	Handgriff Schwarz	
6	22041965/1	2	Bussola	Bush	Douille	Buchse	
7	81003288/1	1	Leva Trazione	Lever, Driving	Levier Traction	Hebel, Antrieb	
8	81000668/1	1	Cavo Comando Trazione	Cable, Rear Drive	Câble, Commande Traction	Kabel, Antrieb	(General Transmission)
11	81007109/0	1	Cavo Comando Marce	Cable, Speed Drive Control	Cable, Comm. Change-ment Vitesse	Kabel, Gängeschaltun	484 4S
11	81007110/0	1	Cavo Comando Marce	Cable, Speed Drive Control	Cable, Comm. Change-ment Vitesse	Kabel, Gängeschaltun	534 4S
12	22399809/0	1	Manopolina	Knob	Poignée	Griff	
13	12728300/0	1	Vite	Screw	Vis	Schraube	
14	12728702/0	2	Vite	Screw	Vis	Schraube	

TD			TDL		
484			534		
TR	TR-E	TR 4S	TR-E 4S	TR/W	TR 4S/W

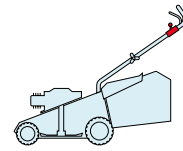


2009
16_011
1 / 1

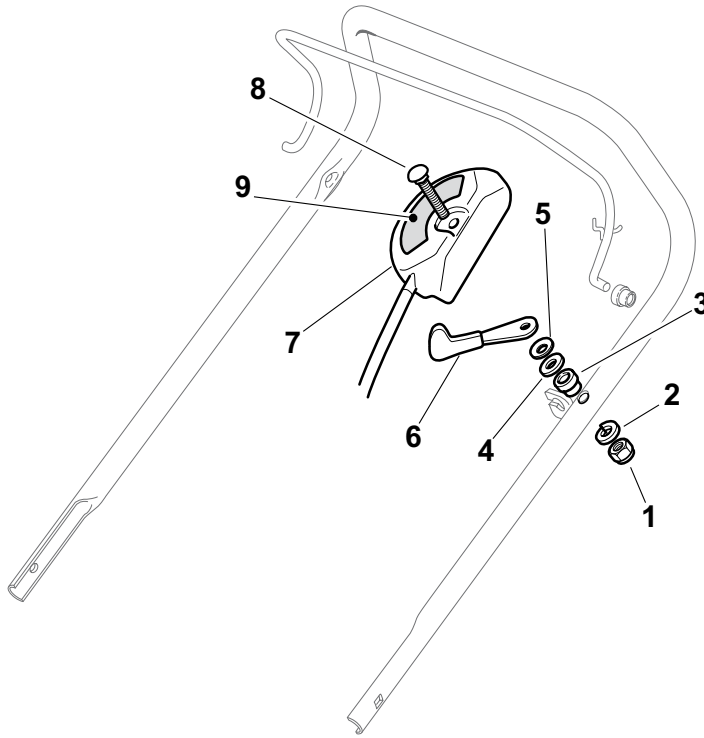


POS.	CODE	Q.TY	DESCRIZIONE	DESCRIPTION	DESCRIPTION	BESCHREIBUNG	REMARKS
1	81007160/0	1	Cavo Acceleratore	Throttle Cable	Cable, Accelérateur	Gashebel Kabel	
2	81007280/2	1	Leva, Acceleratore	Lever, Throttle	Levier,	Hebel, Beshleuniger	(B&S 625-675-700 Series - Honda - Ggp 140-160-196 cc)
2	81007221/0	1	Leva, Acceleratore	Lever, Throttle	Levier,	Hebel, Beshleuniger	(B&S 450-500 Series - Ggp 150 cc)
3	12735105/0	2	Vite	Screw	Vis	Schraube	
4	22981467/0	1	Piastrina	Plate	Plaquette	Platte	
5	12791500/0	1	Vite	Screw	Vis	Schraube	
6	12530060/0	1	Rosetta Elastica	Elastic Washer	Rondelle Elastique	Elastische Scheibe	
7	12523040/0	1	Rosetta	Washer	Rondelle	Scheibe	
8	12523040/0	1	Rosetta	Washer	Rondelle	Scheibe	
9	12154510/0	1	Dado	Nut	Ecrou	Mutter	
10	22120152/0	1	Cruscotto Giallo	Dash Board Yellow	Console Jaune	Konsole Gelbe	
10	22120154/0	1	Cruscotto Rosso	Dash Board Red	Console Rouge	Konsole Rote	
10	22120158/0	1	Cruscotto Nero	Dash Board Black	Console Noire	Konsole Schwarze	
11	114356744/1	1	Etichetta	Label	Etiquette	Etikette	(B&S)
11	114356906/1	1	Etichetta	Label	Etiquette	Etikette	(B&S 700 series DOV)
11	114356743/1	1	Etichetta	Label	Etiquette	Etikette	(GGP)
11	114356743/1	1	Etichetta	Label	Etiquette	Etikette	(Honda)
11	114357646/1	1	Etichetta	Label	Etiquette	Etikette	(Honda GCV 160-190 Autochoke)
12	22943006/0	1	Vite	Screw	Vis	Schraube	
13	12728460/0	1	Vite	Screw	Vis	Schraube	
14	81008609/0	1	Dotazione Viteria Cruscotto	Outfit, Dash-Board Screws	Dotation Visserie Console	Satz, Konsole Schrauben	

TD			TDL		
484			534		
TR	TR-E	TR 4S	TR-E 4S	TR/W	TR 4S/W

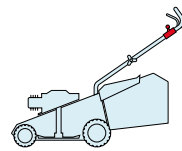


2009
16_012
1 / 1

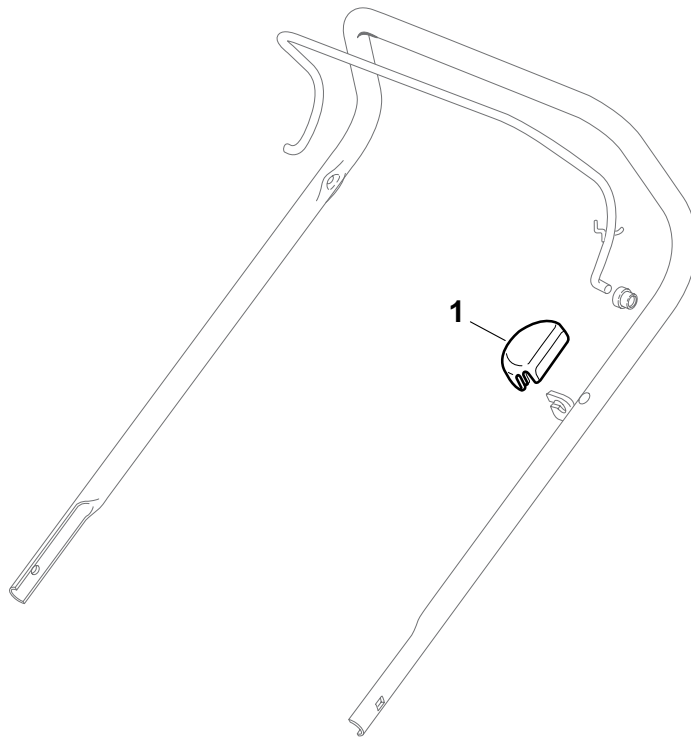


POS.	CODE	Q.TY	DESCRIZIONE	DESCRIPTION	DESCRIPTION	BESCHREIBUNG	REMARKS
1	12291000/0	1	Dado	Nut	Ecrou	Mutter	
2	12581500/0	1	Grower	Grower	Grower	Federring	
3	22171005/0	1	Distanziale	Spacer	Entretoise	Distanzring	
4	12521360/0	1	Rosetta	Washer	Rondelle	Scheibe	
5	12508100/0	1	Rosetta Elastica	Spring Washer	Rondelle Elastique	Elastische Scheibe	
6	81007279/1	1	Leva, Acceleratore	Lever, Throttle	Levier, Accelérateur	Hebel, Beshleuniger	(B&S 625-675-700 Series - Honda - Ggp 140-160-196 cc)
6	81007220/0	1	Leva, Acceleratore	Lever, Throttle	Levier, Accelérateur	Hebel, Beshleuniger	(B&S 450-500 Series - Ggp 150 cc)
7	81007080/0	1	Cavo Acceleratore	Throttle Cable	Cable, Accelérateur	Gashebel Kabel	
8	12815000/0	1	Vite	Screw	Vis	Schraube	
9	14356703/0	1	Etichetta	Label	Etiquette	Etikette	(B&S)
9	114356905/0	1	Etichetta	Label	Etiquette	Etikette	(B&S 700 series DOV)
9	14356702/0	1	Etichetta	Label	Etiquette	Etikette	(GGP)
9	114364264/0	1	Etichetta	Label	Etiquette	Etikette	AVS (GGP 160-196)
9	14356702/0	1	Etichetta	Label	Etiquette	Etikette	(Honda)
9	114356905/0	1	Etichetta	Label	Etiquette	Etikette	(Honda GCV 160-190 Autochoke)

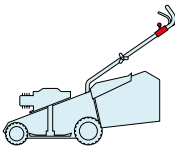
TD			TDL		
484			534		
TR	TR-E	TR 4S	TR-E 4S	TR/W	TR 4S/W

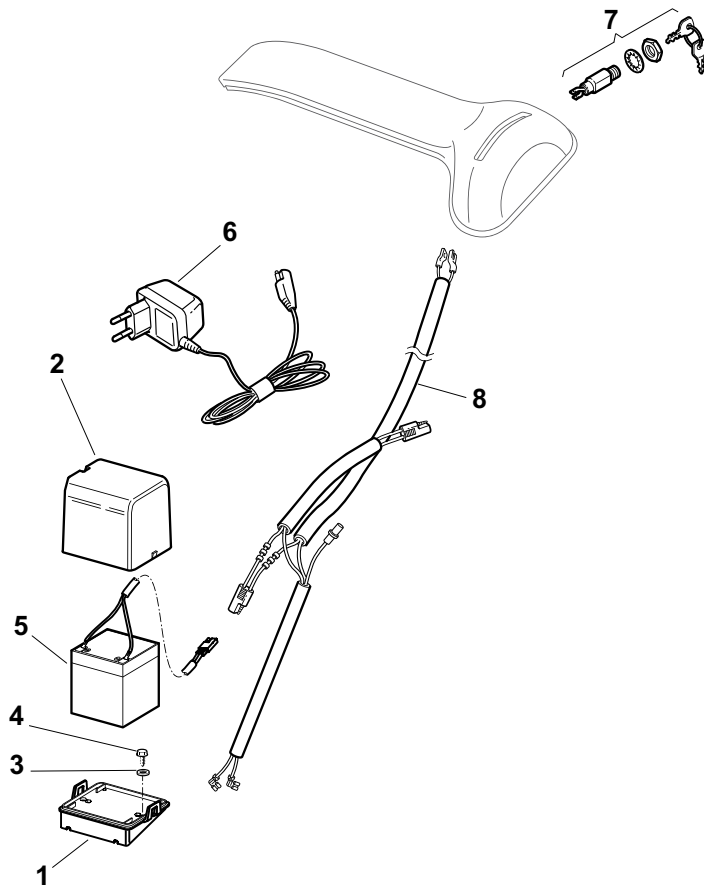


2009
16_013
1 / 1



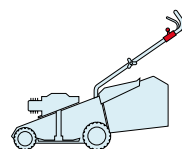
POS.	CODE	Q.TY	DESCRIZIONE	DESCRIPTION	DESCRIPTION	BESCHREIBUNG	REMARKS
1	22601000/0	1	Protezione	Protection	Protection	Schutz	

TD			TDL				2009
484			534				16_014
TR	TR-E	TR 4S	TR-E 4S	TR/W	TR 4S/W		1 / 1

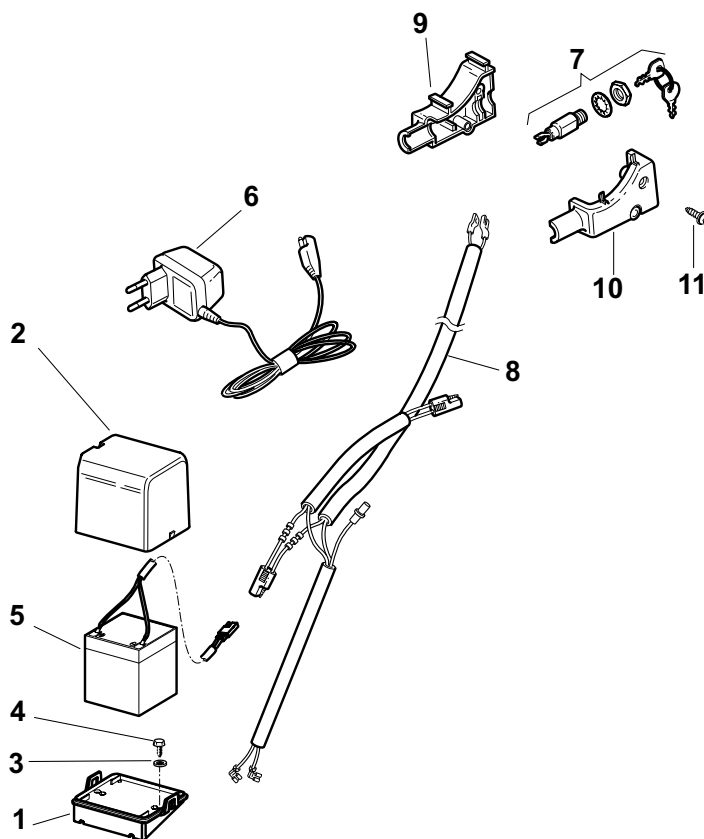


POS.	CODE	Q.TY	DESCRIZIONE	DESCRIPTION	DESCRIPTION	BESCHREIBUNG	REMARKS
1	22785123/0	1	Supporto Batteria	Support, Battery	Support Batterie	Halter, Batterie	
2	22109530/0	1	Coperchio	Cover	Couvercle	Deckel	
3	12521310/0	2	Rosetta	Washer	Rondelle	Scheibe	
4	12731590/0	2	Vite	Screw	Vis	Schraube	
5	18120052/0	1	Batteria	Battery	Batterie	Batterie	
6	18204120/0	1	Carica Batteria	Battery Charger	Chargeur De	Ladgerät	
6	18204121/0	1	Carica Batteria	Battery Charger	Chargeur De	Ladgerät	(UK)
7	18450050/0	1	Interruttore	Switch	Interrupteur	Schalter	
8	118204192/3	1	Cavo Avviamento	Cable, Start	Cable Démarrage	Kabel, Start	(B&S - GGP)
8	18204198/0	1	Cavo Avviamento	Cable, Start	Cable Démarrage	Kabel, Start	(Honda)

TD			TDL		
484			534		
TR	TR-E	TR 4S	TR-E 4S	TR/W	TR 4S/W

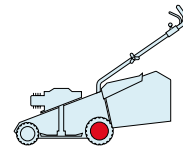


2009
16_015
1 / 1

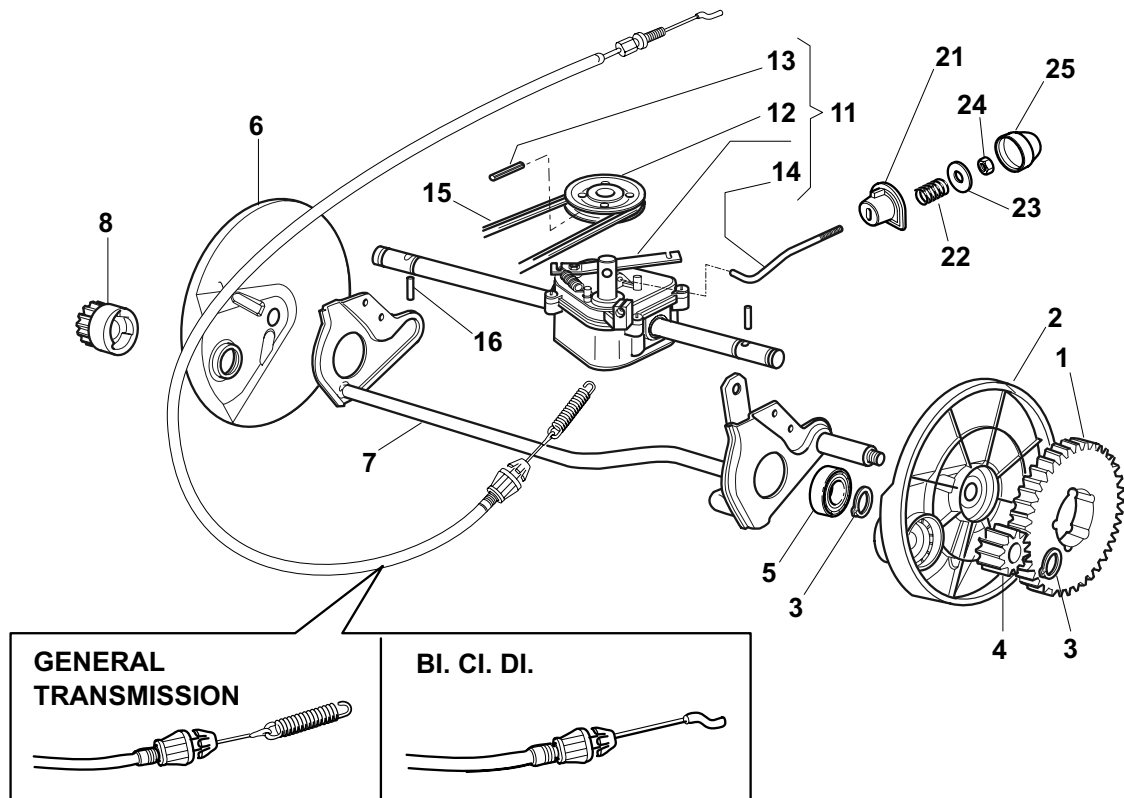


POS.	CODE	Q.TY	DESCRIZIONE	DESCRIPTION	DESCRIPTION	BESCHREIBUNG	REMARKS
1	22785123/0	1	Supporto Batteria	Support, Battery	Support Batterie	Halter, Batterie	
2	22109530/0	1	Coperchio	Cover	Couvercle	Deckel	
3	12521310/0	2	Rosetta	Washer	Rondelle	Scheibe	
4	12731590/0	2	Vite	Screw	Vis	Schraube	
5	18120052/0	1	Batteria	Battery	Batterie	Batterie	
6	18204120/0	1	Carica Batteria	Battery Charger	Chargeur De	Ladgerät	
6	18204121/0	1	Carica Batteria	Battery Charger	Chargeur De	Ladgerät	(Uk)
7	18450050/0	1	Interruttore	Switch	Interrupteur	Schalter	
8	118204192/3	1	Cavo Avviamento	Cable, Start	Cable Démarrage	Kabel, Start	(B&S - GGP)
8	18204198/0	1	Cavo Avviamento	Cable, Start	Cable Démarrage	Kabel, Start	(Honda)
9	22722804/0	1	Protezione Dx	R Protection	Protection D	Rechte Schutz	
10	22722805/0	1	Protezione Sx	L Protection	Protection G	Linke Schutz	
11	12728300/0	1	Vite	Screw	Vis	Schraube	

TD			TDL		
484			534		
TR	TR-E	TR 4S	TR-E 4S	TR/W	TR 4S/W



2009
16_016
1 / 1



POS.	CODE	Q.TY	DESCRIZIONE	DESCRIPTION	DESCRIPTION	BESCHREIBUNG	REMARKS
1	22120105/1	2	Corona	Ring Gear	Couronne	Kranz	
2	22600093/0	1	Prot. Ruote Sx	Protection, L Wheel	Protection Roue G	Schütz, Linkes	
3	12608600/0	4	Seeger	Seeger	Seeger	Seeger	
4	22570120/1	1	Pignone Sx	Pinion L	Pignon G	Ritzel Linkes	
5	19216035/0	2	Cuscinetto	Bearing	Coussinet	Lager	
6	22600092/0	1	Prot. Ruote Dx	Protection, R Wheel	Protection Roue D	Schütz, Rechtes	
7	81000147/0	1	Asse Ruote Posteriori	Axle, Rear Wheels	Axe Roues Arriere	Achse, Hinterrad	
8	22570110/1	1	Pignone Dx	Pinion R	Pignon D	Ritzel Rechtes	
11	81003081/1	1	Gruppo Trazione (Grigio)	Gear Box (Grey)	Groupe Traction	Antrieb (Grau)	(Bi Ci Di)
11	81003076/0	1	Gruppo Trazione	Gear Box	Groupe Traction	Antrieb	(General Transmission)
12	22601904/0	1	Puleggia	Pulley	Poulie	Riemenscheibe	
13	12645705/0	1	Spina	Pin	Goupille	Stift	
14	22033280/0	1	Asta Regolazione	Adjustment Rod	Tige Reglage	Verstellungstange	(Bi Ci Di)
14	22033283/0	1	Asta Regolazione	Adjustment Rod	Tige Reglage	Verstellungstange	(General Transmission)
15	35063710/0	1	Cinghia Z 25	Belt Z 25	Courroie Z 25	Riemen Z 25	434
15	35063800/0	1	Cinghia Z 27	Belt Z 27	Courroie Z 27	Riemen Z 27	484
15	35063902/0	1	Cinghia Z 29.5	Belt Z 29.5	Courroie Z 29.5	Riemen Z 29.5	534
16	22753000/0	2	Spina	Pin	Goupille	Stift	
21	22041957/1	1	Bussola	Bush	Douille	Buchse	
22	22450063/0	1	Molla	Spring	Ressort	Feder	
23	22680009/0	1	Rosetta	Washer	Rondelle	Scheibe	
24	12154510/0	1	Dado	Nut	Ecrou	Mutter	
25	22110230/0	1	Tappo	Cap	Bouchon	Gummistopfen	

TD

TDL

484

534

TR

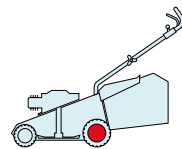
TR-E

TR 4S

TR-E 4S

TR/W

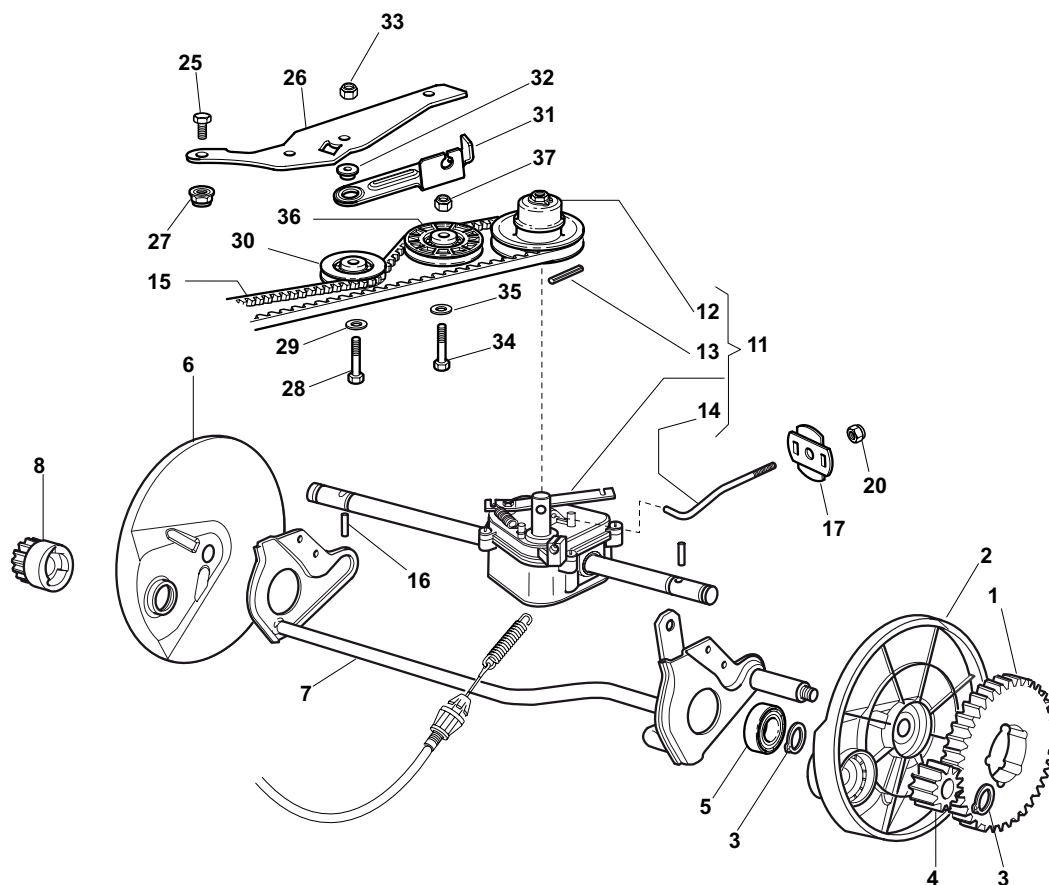
TR 4S/W



2009

16_017

1 / 2



POS.	CODE	Q.TY	DESCRIZIONE	DESCRIPTION	DESCRIPTION	BESCHREIBUNG	REMARKS
1	22120105/1	2	Corona	Ring Gear	Couronne	Kranz	
2	22600093/0	1	Prot. Ruote Sx	Protection, L Wheel	Protection Roue G	Schütz, Linkes	
3	12608600/0	4	Seeger	Seeger	Seeger	Seeger	
4	22570120/1	1	Pignone Sx	Pinion L	Pignon G	Ritzel Linkes	
5	19216035/0	2	Cuscinetto	Bearing	Coussinet	Lager	
6	22600092/0	1	Prot. Ruote Dx	Protection, R Wheel	Protection Roue D	Schütz, Rechtes	
7	81000147/0	1	Asse Ruote Posteriori	Axle, Rear Wheels	Axe Roues Arriere	Achse, Hinterrad	
8	22570110/1	1	Pignone Dx	Pinion R	Pignon D	Ritzel Rechtes	
11	181003096/2	1	Gruppo Trazione	Gear Box	Groupe Traction	Antrieb	(General Transmission)
12	122601925/0	1	Puleggia	Pulley	Poulie	Riemenscheibe	
13	12645700/0	1	Spina	Pin	Goupille	Stift	
14	22033285/0	1	Asta Regolazione	Adjustment Rod	Tige Reglage	Verstellungstange	(General Transmission)
15	35064005/0	1	Cinghia Spzx 750	Belt Spzx 750	Courroie Spzx 750	Riemen Spzx 750	484
15	35064010/0	1	Cinghia Spzx 812	Belt Spzx 812	Courroie Spzx 812	Riemen Spzx 812	534
16	22753000/0	2	Spina	Pin	Goupille	Stift	
17	22675113/0	2	Rosetta	Washer	Rondelle	Scheibe	
20	12154510/0	1	Dado	Nut	Ecrou	Mutter	
25	12791011/0	1	Vite	Screw	Vis	Schraube	
26	22806625/0	1	Supporto	Support	Support	Halter	
27	12292102/0	1	Dado	Nut	Ecrou	Mutter	
28	12689500/0	1	Vite	Screw	Vis	Schraube	
29	12523050/0	1	Rosetta	Washer	Rondelle	Scheibe	
30	22601915/0	1	Puleggia	Pulley	Poulie	Riemenscheibe	

POS.	CODE	Q.TY	DESCRIZIONE	DESCRIPTION	DESCRIPTION	BESCHREIBUNG	REMARKS
31	22806623/0	1	Supporto	Support	Support	Halter	
32	22671656/0	1	Rosetta	Washer	Rondelle	Scheibe	
33	12154510/0	1	Dado	Nut	Ecrou	Mutter	
34	12674700/0	1	Vite	Screw	Vis	Schraube	
35	12523050/0	1	Rosetta	Washer	Rondelle	Scheibe	
36	22601914/0	1	Puleggia	Pulley	Poulie	Riemenscheibe	
37	12154510/0	1	Dado	Nut	Ecrou	Mutter	

TD

TDL

484

534

TR

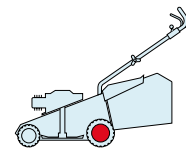
TR-E

TR 4S

TR-E 4S

TR/W

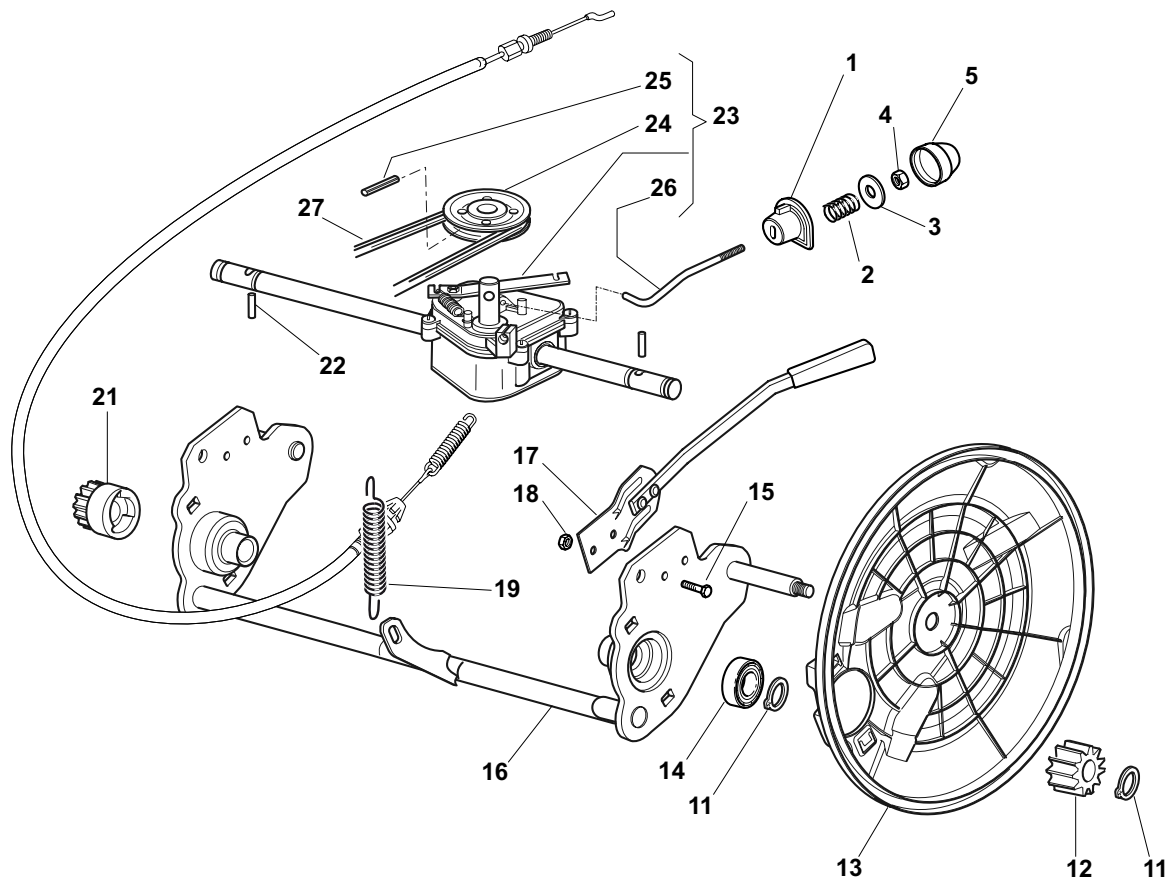
TR 4S/W



2009

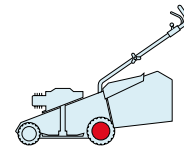
16_018

1 / 1

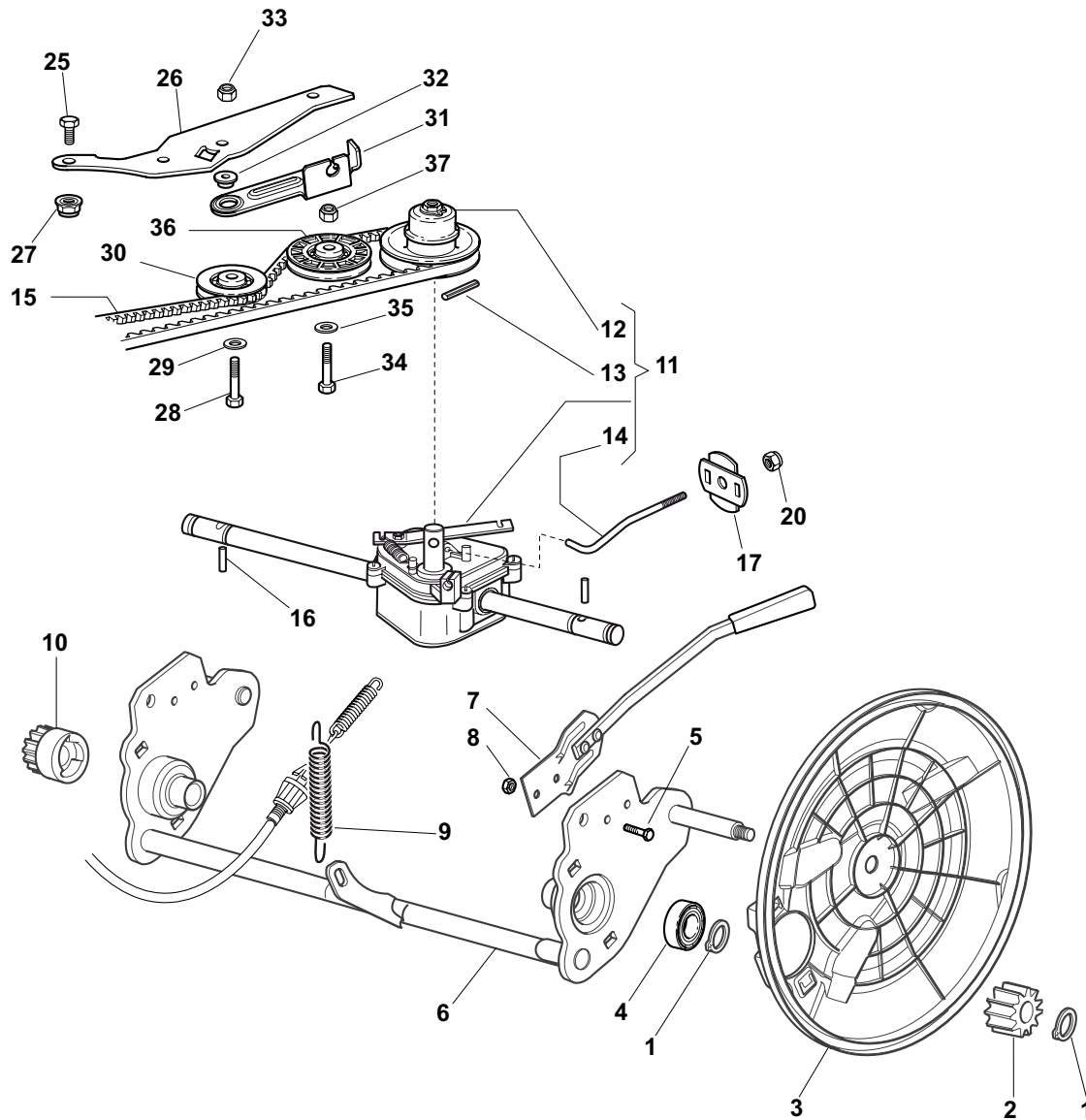


POS.	CODE	Q.TY	DESCRIZIONE	DESCRIPTION	DESCRIPTION	BESCHREIBUNG	REMARKS
1	22041957/1	1	Bussola	Bush	Douille	Buchse	
2	22450063/0	1	Molla	Spring	Ressort	Feder	
3	22680009/0	1	Rosetta	Washer	Rondelle	Scheibe	
4	12154510/0	1	Dado	Nut	Ecrou	Mutter	
5	22110230/0	1	Tappo	Cap	Bouchon	Gummistopfen	
11	12608600/0	4	Seeger	Seeger	Seeger	Seeger	
12	22570110/1	1	Pignone Dx	Pinion R	Pignon D	Ritzel Rechtes	
13	22600160/0	2	Prot. Ruote	Protection, Wheel	Protection Roue	Schütz	
14	19216035/0	2	Cuscinetto	Bearing	Coussinet	Lager	
15	12789000/0	2	Vite	Screw	Vis	Schraube	
16	381002853/2	1	Asse Ruote Posteriori	Axle, Rear Wheels	Axe Roues Arriere	Achse, Hinterrad	
17	381003326/0	1	Leva Regolazione Altezza	Lever, Height Adjustment	Levier Reglage Hauteur	Hebel, Höneverstellung	
18	12154330/0	2	Dado	Nut	Ecrou	Mutter	
19	122450454/0	1	Molla	Spring	Ressort	Feder	
21	22570120/1	1	Pignone Sx	Pinion L	Pignon G	Ritzel Linkes	
22	22753000/0	2	Spina	Pin	Goupille	Stift	
23	81003092/0	1	Gruppo Trazione	Gear Box	Groupe Traction	Antrieb	(General Transmission)
24	22601904/0	1	Puleggia	Pulley	Poulie	Riemenscheibe	
25	12645705/0	1	Spina	Pin	Goupille	Stift	
26	22033283/0	1	Asta Regolazione	Adjustment Rod	Tige Reglage	Verstellungstange	(General Transmission)
27	35063800/0	1	Cinghia Z 27	Belt Z 27	Courroie Z 27	Riemen Z 27	484
27	35063902/0	1	Cinghia Z 29.5	Belt Z 29.5	Courroie Z 29.5	Riemen Z 29.5	534

TD			TDL		
484			534		
TR	TR-E	TR 4S	TR-E 4S	TR/W	TR 4S/W



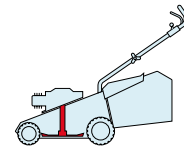
2009
16_019
1 / 2



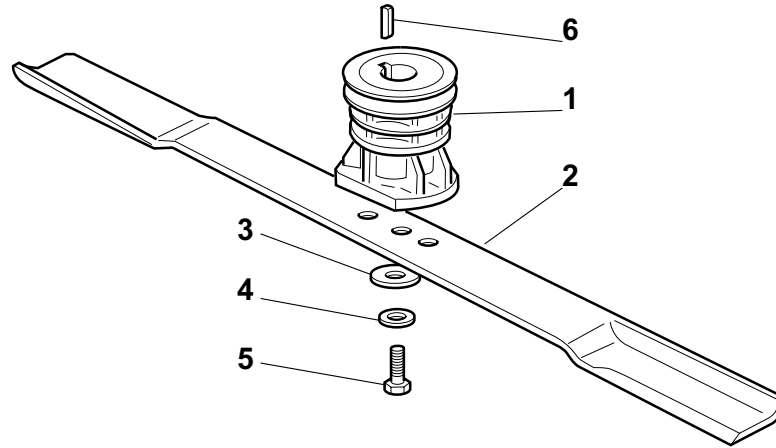
POS.	CODE	Q.TY	DESCRIZIONE	DESCRIPTION	DESCRIPTION	BESCHREIBUNG	REMARKS
1	12608600/0	4	Seeger	Seeger	Seeger	Seeger	
2	22570110/1	1	Pignone Dx	Pinion R	Pignon D	Ritzel Rechtes	
3	22600160/0	2	Prot. Ruote	Protection, Wheel	Protection Roue	Schütz	
4	19216035/0	2	Cuscinetto	Bearing	Coussinet	Lager	
5	12789000/0	2	Vite	Screw	Vis	Schraube	
6	381002853/2	1	Asse Ruote Posteriori	Axle, Rear Wheels	Axe Roues Arriere	Achse, Hinterrad	
7	381003326/0	1	Leva Regolazione Altezza	Lever, Height Adjustment	Levier Reglage Hauteur	Hebel, Höneverstellung	
8	12154330/0	2	Dado	Nut	Ecrou	Mutter	
9	122450454/0	1	Molla	Spring	Ressort	Feder	
10	22570120/1	1	Pignone Sx	Pinion L	Pignon G	Ritzel Linkes	
11	181003102/0	1	Gruppo Trazione	Gear Box	Groupe Traction	Antrieb	(General Transmission)
12	122601925/0	1	Puleggia	Pulley	Poulie	Riemenscheibe	
13	12645700/0	1	Spina	Pin	Goupille	Stift	
14	122033287/0	1	Asta Regolazione	Adjustment Rod	Tige Reglage	Verstellungstange	(General Transmission)

POS.	CODE	Q.TY	DESCRIZIONE	DESCRIPTION	DESCRIPTION	BESCHREIBUNG	REMARKS
15	135064373/0	1	Cinghia Spzx 750	Belt Spzx 750	Courroie Spzx 750	Riemen Spzx 750	484
15	135064379/0	1	Cinghia Spzx 812	Belt Spzx 812	Courroie Spzx 812	Riemen Spzx 812	534
16	22753000/0	2	Spina	Pin	Goupille	Stift	
17	22675113/0	2	Rosetta	Washer	Rondelle	Scheibe	
20	12154510/0	1	Dado	Nut	Ecrou	Mutter	
25	12791011/0	1	Vite	Screw	Vis	Schraube	
26	22806625/0	1	Supporto	Support	Support	Halter	
27	12292102/0	1	Dado	Nut	Ecrou	Mutter	
28	12689500/0	1	Vite	Screw	Vis	Schraube	
29	12523050/0	1	Rosetta	Washer	Rondelle	Scheibe	
30	22601915/0	1	Puleggia	Pulley	Poulie	Riemenscheibe	
31	22806623/0	1	Supporto	Support	Support	Halter	
32	22671656/0	1	Rosetta	Washer	Rondelle	Scheibe	
33	12154510/0	1	Dado	Nut	Ecrou	Mutter	
34	12674700/0	1	Vite	Screw	Vis	Schraube	
35	12523050/0	1	Rosetta	Washer	Rondelle	Scheibe	
36	22601914/0	1	Puleggia	Pulley	Poulie	Riemenscheibe	
37	12154510/0	1	Dado	Nut	Ecrou	Mutter	

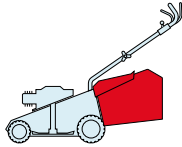
TD			TDL		
484			534		
TR	TR-E	TR 4S	TR-E 4S	TR/W	TR 4S/W

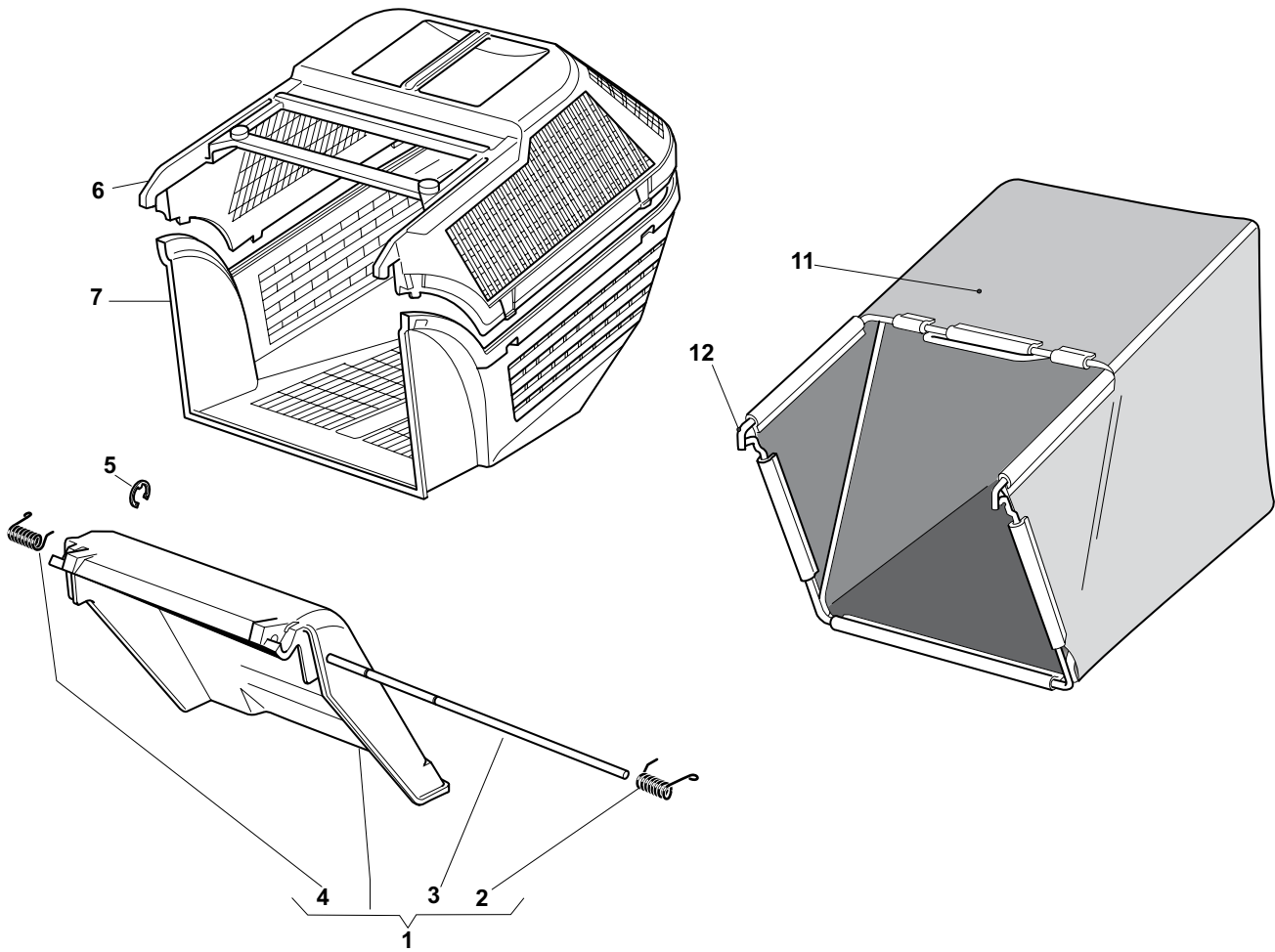


2009
16_020
1 / 1



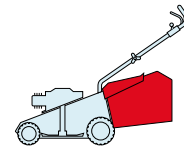
POS.	CODE	Q.TY	DESCRIZIONE	DESCRIPTION	DESCRIPTION	BESCHREIBUNG	REMARKS
1	22465607/2	1	Mozzo Con Puleggia, Albero Motore Ø 22.2	Hub With Pulley, Crankshaft Ø 22.2	Moyeu Avec Poulie, Arbre Moteur Ø 22.2	Nabe Mit Scheibe, Motorwelle Ø 22.2	
1	122465608/1	1	Mozzo Con Puleggia, Albero Motore Ø 25	Hub With Pulley, Crankshaft Ø 25	Moyeu Avec Poulie, Arbre Moteur Ø 25	Nabe Mit Scheibe, Motorwelle Ø 25	
2	81004341/3	1	Coltello Standard	Blade Standard	Lame Standard	Messer Standard	434
2	81004396/0	1	Coltello Alettato	Blade Winged	Lame Ailette	Messer Flügel	434
2	81004346/3	1	Coltello Standard	Blade Standard	Lame Standard	Messer Standard	484
2	81004397/0	1	Coltello Alettato	Blade Winged	Lame Ailette	Messer Flügel	484
2	81004381/1	1	Coltello Standard	Blade Standard	Lame Standard	Messer Standard	534
2	81004398/0	1	Coltello Alettato	Blade Winged	Lame Ailette	Messer Flügel	534
3	22160400/0	1	Disco Elastico	Elastic Washer	Rondelle Elastique	Elastischescheibe	
4	12523080/0	1	Rosetta	Washer	Rondelle	Scheibe	
5	12735698/0	1	Vite	Screw	Vis	Schraube	
6	12139100/0	1	Linguetta, Albero Motore Ø 22.2	Feather, Crankshaft Ø 22.2	Clavette, Arbre Moteur Ø 22.2	Keil, Motorwelle Ø 22.2	
6	12139150/0	1	Linguetta, Albero Motore Ø 25	Feather, Crankshaft Ø 25	Clavette, Arbre Moteur Ø 25	Keil, Motorwelle Ø 25	

TD				TDL			2009
484				534			16_021
TR	TR-E	TR 4S	TR-E 4S	TR/W	TR 4S/W		1 / 1

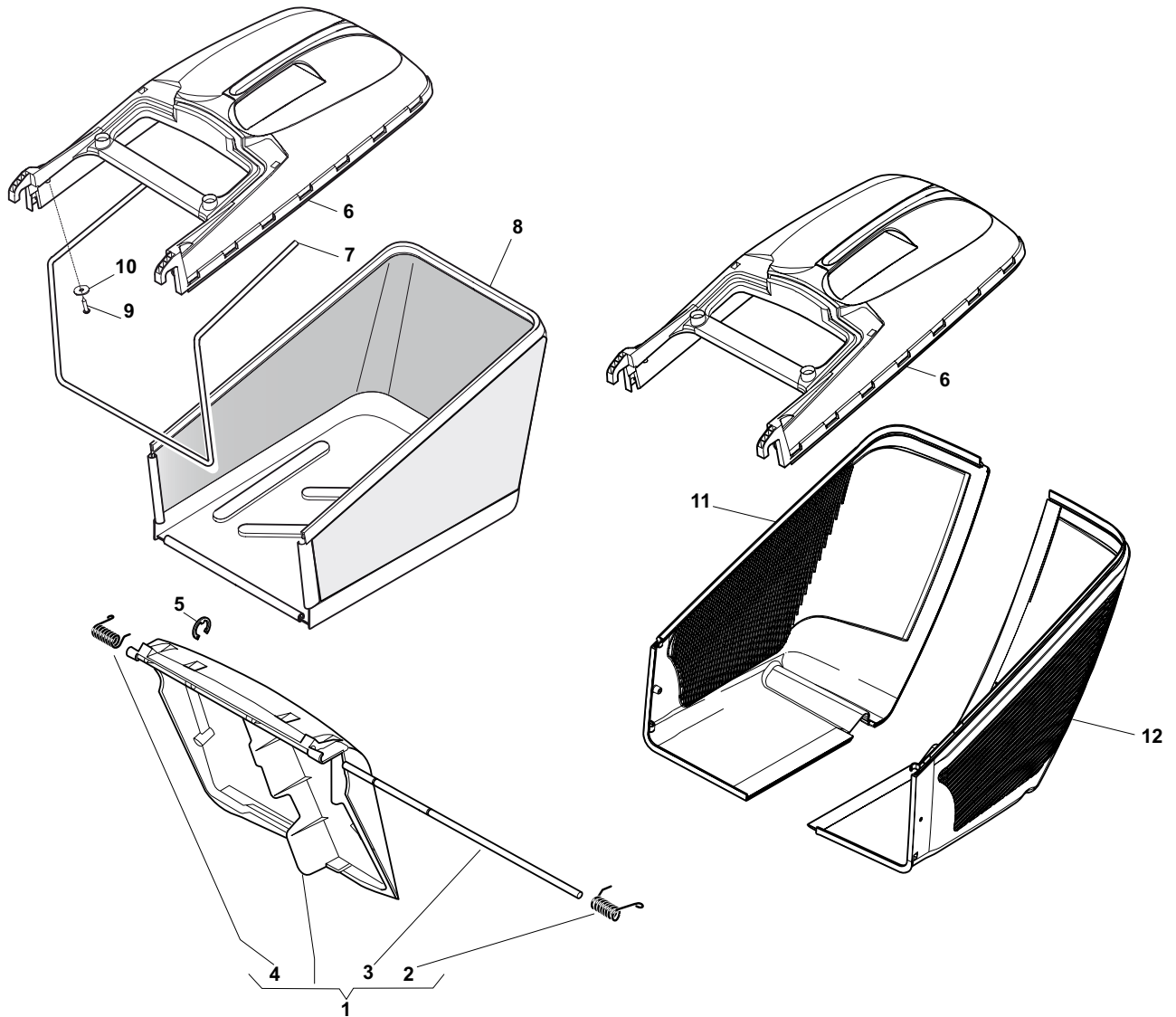


POS.	CODE	Q.TY	DESCRIZIONE	DESCRIPTION	DESCRIPTION	BESCHREIBUNG	REMARKS
1	381007308/2	1	Parasassi	Stone-Guard	Pare-Pierres	Prallblech	
2	22450420/1	1	Molla Sx	L Spring	Ressort G	Linke Feder	
3	22517906/1	1	Perno	Pin	Pivot	Bolzen	
4	22450410/1	1	Molla Dx	R Spring	Ressort D	Rechte Feder	
5	12000930/0	1	Anello Elastico	Snap Ring	Anneau Ressort	Sprengring	
6	22486073/0	1	Sacco, Parte Sup	Grass-Box, Upper	Sac, Partie Superieure	Korb, Oberteil	
7	22486074/0	1	Sacco, Parte Inf	Grass-Box, Lower	Sac, Partie Inferieure	Korb, Unterteil	
11	81002105/2	1	Sacco, Tela	Box, Fabric	Sac, Toile	Sack, Tuck	
12	81006418/0	1	Telaio Sacco	Chassis Box	Châssis Bac	Rahmen Sack	

TD			TDL		
484			534		
TR	TR-E	TR 4S	TR-E 4S	TR/W	TR 4S/W



2009
16_022
1 / 1



POS.	CODE	Q.TY	DESCRIZIONE	DESCRIPTION	DESCRIPTION	BESCHREIBUNG	REMARKS
1	381008021/1	1	Parasassi	Stone-Guard	Pare-Pierres	Prallblech	
2	22450420/1	1	Molla Sx	L Spring	Ressort G	Linke Feder	
3	22517906/1	1	Perno	Pin	Pivot	Bolzen	
4	22450410/1	1	Molla Dx	R Spring	Ressort D	Rechte Feder	
5	12000930/0	1	Anello Elastico	Snap Ring	Anneau Ressort	Sprengring	
6	22486101/0	1	Sacco, Parte Sup	Grass-Box, Upper	Sac, Partie	Korb, Oberteil	
7	22608525/0	1	Rinforzo Inf	Stiffening Lower	Réinforcement Inf	Verstärkung	
8	81002211/0	1	Sacco, Tela	Box, Fabric	Sac, Toile	Sack, Tuck	
9	12728680/0	2	Vite	Screw	Vis	Schraube	
10	12523050/0	2	Rosetta	Washer	Rondelle	Scheibe	
11	322486150/1	1	Sacco, Parte Inf Dx	Grass-Box, R Lower	Sac, Partie Inferieure D	Korb, R Unterteil	
12	322486151/1	1	Sacco, Parte Inf Sx	Grass-Box, L Lower	Sac, Partie Inferieure G	Korb, L Unterteil	