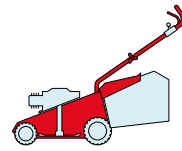


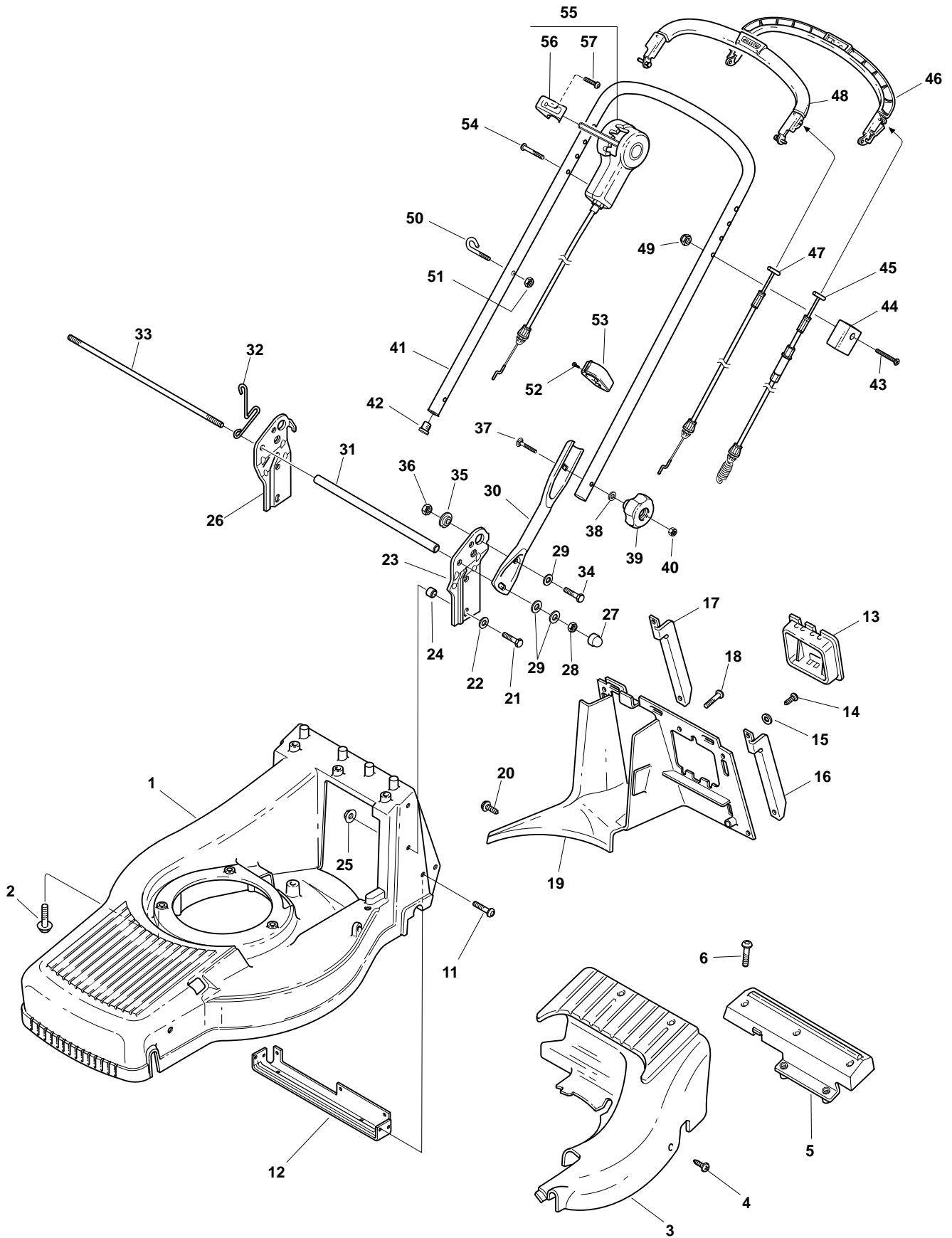
TU

504
TR ROLLER 4S

554
TR-E ROLLER 4S



2009
57_001
1 / 3



POS.	CODE	Q.TY	DESCRIZIONE	DESCRIPTION	DESCRIPTION	BESCHREIBUNG	REMARKS
1	81002659/0	1	Chassis Rosso	Deck Red	Châssis Rouge	Gehäuse Rot	504
1	81002662/0	1	Chassis Rosso	Deck Red	Châssis Rouge	Gehäuse Rot	554
2	112735108/1	3	Vite	Screw	Vis	Schraube	
3	22060153/1	1	Carter, Rosso	Protection, Red	Protection, Rouge	Schutz, Rot	504
3	22060155/1	1	Carter, Rosso	Protection, Red	Protection, Rouge	Schutz, Rot	554
4	12728300/0	3	Vite	Screw	Vis	Schraube	
5	22785164/0	1	Fulcro Parasassi	Stone Guard Fulcrum	Point D'Appui Parepierres	Drehpunkt Prallblech	
6	12735664/0	3	Vite	Screw	Vis	Schraube	
11	12735592/0	4	Vite	Screw	Vis	Schraube	
12	22608521/0	1	Rinforzo Posteriore	Rear Stiffening	Rénforcement Arriere	Hinterverstärkung	
13	22109531/0	1	Coperchio	Cover	Couvercle	Deckel	
14	12728124/0	5	Vite	Screw	Vis	Schraube	
15	12523040/0	3	Rosetta	Washer	Rondelle	Scheibe	
16	22775183/0	1	Staffa Sx	Bracket, L	Bride G	Pratze, Linke	
17	22775185/0	1	Staffa Dx	Bracket, R	Bride D	Pratze, Rechte	
18	12735664/0	1	Vite	Screw	Vis	Schraube	
19	22108278/0	1	Convogl. Posteriore	Rear Conveyor Assy	Ens. Convoyeur Post.	Hinterleitblechsatz	
20	12728300/0	1	Vite	Screw	Vis	Schraube	
21	12793102/0	4	Vite	Screw	Vis	Schraube	
22	12521350/0	4	Rosetta	Washer	Rondelle	Scheibe	
23	22778411/0	1	Staffa Sx	Bracket, L	Bride G	Pratze, Linke	
24	22041959/0	2	Bussola	Bush	Douille	Buchse	
25	12293201/0	4	Dado	Nut	Ecrou	Mutter	
26	22778413/0	1	Staffa Dx	Bracket, R	Bride D	Pratze, Rechte	
27	18203854/0	2	Cappuccio	Protection	Capuchon	Stecker	
28	12293200/0	2	Dado	Nut	Ecrou	Mutter	
29	12523060/0	6	Rosetta	Washer	Rondelle	Scheibe	
30	81006614/0	2	Manico, Parte Inf	Handle, Lower Part	Mancheron, Partie Infe- rieure	Holm, Unterteil	
31	22869711/0	1	Distanziale	Spacer	Entretoise	Distanzring	
32	22430312/0	1	Molla Guida	Guide Spring	Ressort De Guide	Feder Führer	
33	22517702/0	1	Perno Fulcro	Fulcrum Pin	Pivot	Gelenkpunkt	
34	12793301/0	2	Vite	Screw	Vis	Schraube	
35	22041955/0	2	Bussola	Bush	Douille	Buchse	
36	12293200/0	2	Dado	Nut	Ecrou	Mutter	
37	12819110/0	2	Vite	Screw	Vis	Schraube	
38	22680006/1	2	Rosetta	Washer	Rondelle	Scheibe	
39	322399804/1	2	Manopolina	Knob	Poignée	Griff	
40	12293200/0	2	Dado	Nut	Ecrou	Mutter	
41	81006619/1	1	Manico, Parte Sup	Handle, Upper Part	Mancheron, Partie Supe- rieure	Holm, Oberteil	
42	18566110/0	2	Puntale	Cap	Bouchon	Gummistopfen	
43	12727786/0	1	Vite	Screw	Vis	Schraube	
44	22551640/0	1	Piastrina	Plate	Plaquette	Plättchen	
45	81000697/0	1	Cavo Comando Trazione	Cable, Rear Drive	Câble, Commande Traction	Kabel, Antrieb	
46	81003297/1	1	Leva Trazione	Driving Lever	Levier Traction	Antriebhebel	
48	81003298/1	1	Leva Freno Motore	Lever, Engine Brake	Levier Frein Moteur	Hebel, Motorbremse	
49	12154510/0	1	Dado	Nut	Ecrou	Mutter	
50	22430313/0	1	Molla Guida	Guide Spring	Ressort De Guide	Feder Führer	
51	12292100/0	1	Dado	Nut	Ecrou	Mutter	
52	12728691/0	3	Vite	Screw	Vis	Schraube	
53	22192001/0	3	Fascetta Ancoraggio	Anchor Clamp	Collier Ancrage	Bowdenzughalter	
54	12728702/0	2	Vite	Screw	Vis	Schraube	

POS.	CODE	Q.TY	DESCRIZIONE	DESCRIPTION	DESCRIPTION	BESCHREIBUNG	REMARKS
55	81007097/0	1	Cavo Comando Marce	Cable, Speed Drive Control	Cable, Comm. Change- ment Vitesse	Kabel, Gängeschaltun	504
55	81007098/0	1	Cavo Comando Marce	Cable, Speed Drive Control	Cable, Comm. Change- ment Vitesse	Kabel, Gängeschaltun	554
56	22399809/0	1	Manopolina	Knob	Poignée	Griff	
57	12728300/0	2	Vite	Screw	Vis	Schraube	
103	81000686/0	1	Cavo Freno Motore	Cable, Thread Engine Brake	Cable Frein Moteur	Kabel, Motorbremse	504 (B&S 450-500 Series)
103	81000688/0	1	Cavo Freno Motore	Cable, Thread Engine Brake	Cable Frein Moteur	Kabel, Motorbremse	504 (B&S 625-675 Series)
103	181000777/0	1	Cavo Freno Motore	Cable, Thread Engine Brake	Cable Frein Moteur	Kabel, Motorbremse	504 (Ggp 150cc)
103	81000688/0	1	Cavo Freno Motore	Cable, Thread Engine Brake	Cable Frein Moteur	Kabel, Motorbremse	504 (Ggp 140cc)
103	81000688/0	1	Cavo Freno Motore	Cable, Thread Engine Brake	Cable Frein Moteur	Kabel, Motorbremse	504 (Ggp 160cc)
103	81000688/0	1	Cavo Freno Motore	Cable, Thread Engine Brake	Cable Frein Moteur	Kabel, Motorbremse	504 (Ggp 196cc)
103	81000687/0	1	Cavo Freno Motore	Cable, Thread Engine Brake	Cable Frein Moteur	Kabel, Motorbremse	504 (Honda Gcv 135- 160-190)
103	81000688/0	1	Cavo Freno Motore	Cable, Thread Engine Brake	Cable Frein Moteur	Kabel, Motorbremse	554 (B&S 625-675 Series)
103	181000777/0	1	Cavo Freno Motore	Cable, Thread Engine Brake	Cable Frein Moteur	Kabel, Motorbremse	554 (B&S 700 Series)
103	81000688/0	1	Cavo Freno Motore	Cable, Thread Engine Brake	Cable Frein Moteur	Kabel, Motorbremse	554 (Ggp 140cc)
103	181000777/0	1	Cavo Freno Motore	Cable, Thread Engine Brake	Cable Frein Moteur	Kabel, Motorbremse	554 (Ggp 150cc)
103	81000688/0	1	Cavo Freno Motore	Cable, Thread Engine Brake	Cable Frein Moteur	Kabel, Motorbremse	554 (Ggp 160cc)
103	81000688/0	1	Cavo Freno Motore	Cable, Thread Engine Brake	Cable Frein Moteur	Kabel, Motorbremse	554 (Ggp 196cc)
103	81000688/0	1	Cavo Freno Motore	Cable, Thread Engine Brake	Cable Frein Moteur	Kabel, Motorbremse	554 (Honda Gcv 135- 160-190)

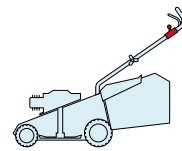
TU

504

TR ROLLER 4S

554

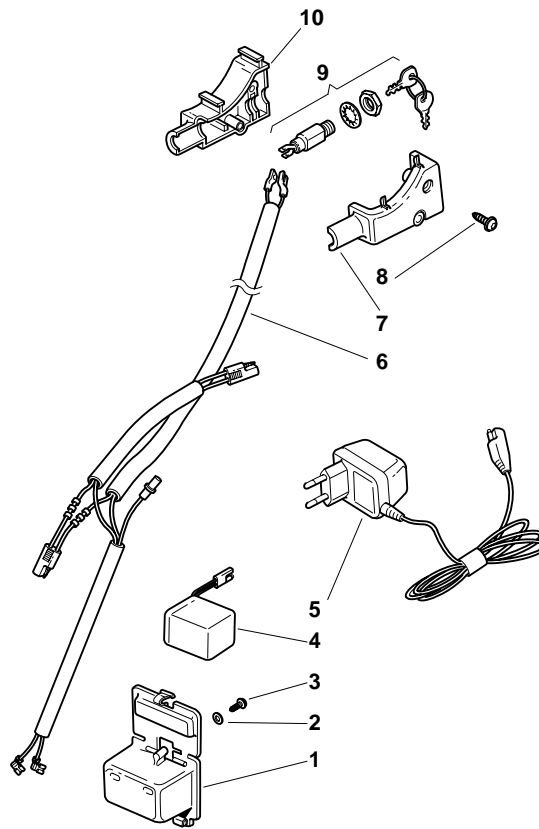
TR-E ROLLER 4S



2009

57_002

1 / 1



POS.	CODE	Q.TY	DESCRIZIONE	DESCRIPTION	DESCRIPTION	BESCHREIBUNG	REMARKS
1	22109533/0	1	Contenitore Batteria	Battery Box	Conteneur De Batterie	Batterie Behälter	
2	12523040/0	1	Rosetta	Washer	Rondelle	Scheibe	
3	12728691/0	1	Vite	Screw	Vis	Schraube	
4	18120052/0	1	Batteria	Battery	Batterie	Batterie	
5	18204120/0	1	Carica Batteria	Battery Charger	Chargeur De Batterie	Ladgerät	
5	18204121/0	1	Carica Batteria	Battery Charger	Chargeur De	Ladgerät	(Uk)
6	18204195/0	1	Cavo Avviamento	Cable, Start	Cable Démarrage	Kabel, Start	
7	22722805/1	1	Protezione Sx	L Protection	Protection G	Linke Schutz	
8	12728300/0	1	Vite	Screw	Vis	Schraube	
9	18450050/0	1	Interruttore	Switch	Interrupteur	Schalter	
10	22722804/1	1	Protezione Dx	R Protection	Protection D	Rechte Schutz	

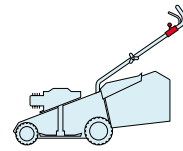
TU

504

TR ROLLER 4S

554

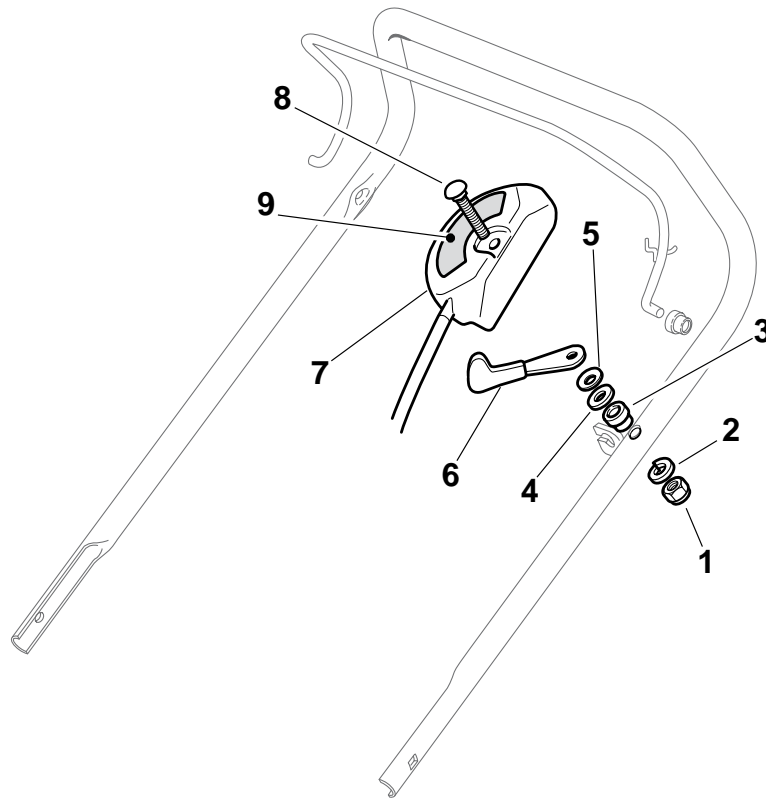
TR-E ROLLER 4S



2009

57_003

1 / 1



POS.	CODE	Q.TY	DESCRIZIONE	DESCRIPTION	DESCRIPTION	BESCHREIBUNG	REMARKS
1	12291000/0	1	Dado	Nut	Ecrou	Mutter	
2	12581500/0	1	Grower	Grower	Grower	Federring	
3	22171005/0	1	Distanziale	Spacer	Entretoise	Distanzring	
4	12521360/0	1	Rosetta	Washer	Rondelle	Scheibe	
5	12508100/0	1	Rosetta Elastica	Spring Washer	Rondelle Elastique	Elastische Scheibe	
6	81007279/1	1	Leva, Acceleratore	Lever, Throttle	Levier, Accelérateur	Hebel, Beschleuniger	(B&S 625-675-700 Series - Honda - Ggp 140-160-196 cc)
6	81007220/0	1	Leva, Acceleratore	Lever, Throttle	Levier, Accelérateur	Hebel, Beschleuniger	(B&S 450-500 Series - Ggp 150 cc)
7	81007080/0	1	Cavo Acceleratore	Throttle Cable	Cable, Accelérateur	Gashebel Kabel	
8	12815000/0	1	Vite	Screw	Vis	Schraube	
9	14356703/0	1	Etichetta	Label	Etiquette	Etikette	(B&S)
9	114356905/0	1	Etichetta	Label	Etiquette	Etikette	(B&S 700 series DOV)
9	14356702/0	1	Etichetta	Label	Etiquette	Etikette	(GGP)
9	114364264/0	1	Etichetta	Label	Etiquette	Etikette	AVS (GGP 160-196)
9	14356702/0	1	Etichetta	Label	Etiquette	Etikette	(Honda)
9	114356905/0	1	Etichetta	Label	Etiquette	Etikette	(Honda GCV 160-190 Autochoke)

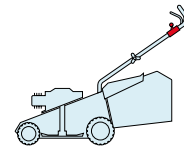
TU

504

TR ROLLER 4S

554

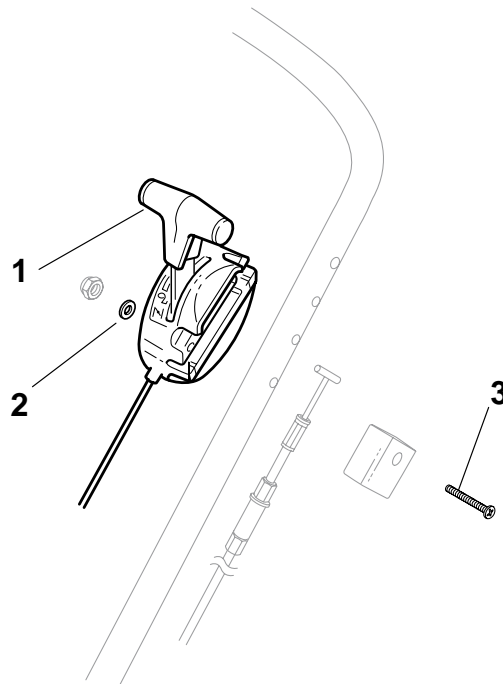
TR-E ROLLER 4S



2009

57_004

1 / 1



POS.	CODE	Q.TY	DESCRIZIONE	DESCRIPTION	DESCRIPTION	BESCHREIBUNG	REMARKS
1	81007128/0	1	Cavo Acceleratore	Throttle Cable	Cable, Accelérateur	Gashebel Kabel	(B&S)
1	81007126/0	1	Cavo Acceleratore	Throttle Cable	Cable, Accelérateur	Gashebel Kabel	(Honda)
2	12523040/0	1	Rosetta	Washer	Rondelle	Scheibe	
3	12727787/0	1	Vite	Screw	Vis	Schraube	

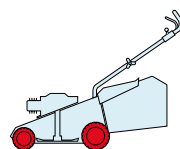
TU

504

TR ROLLER 4S

554

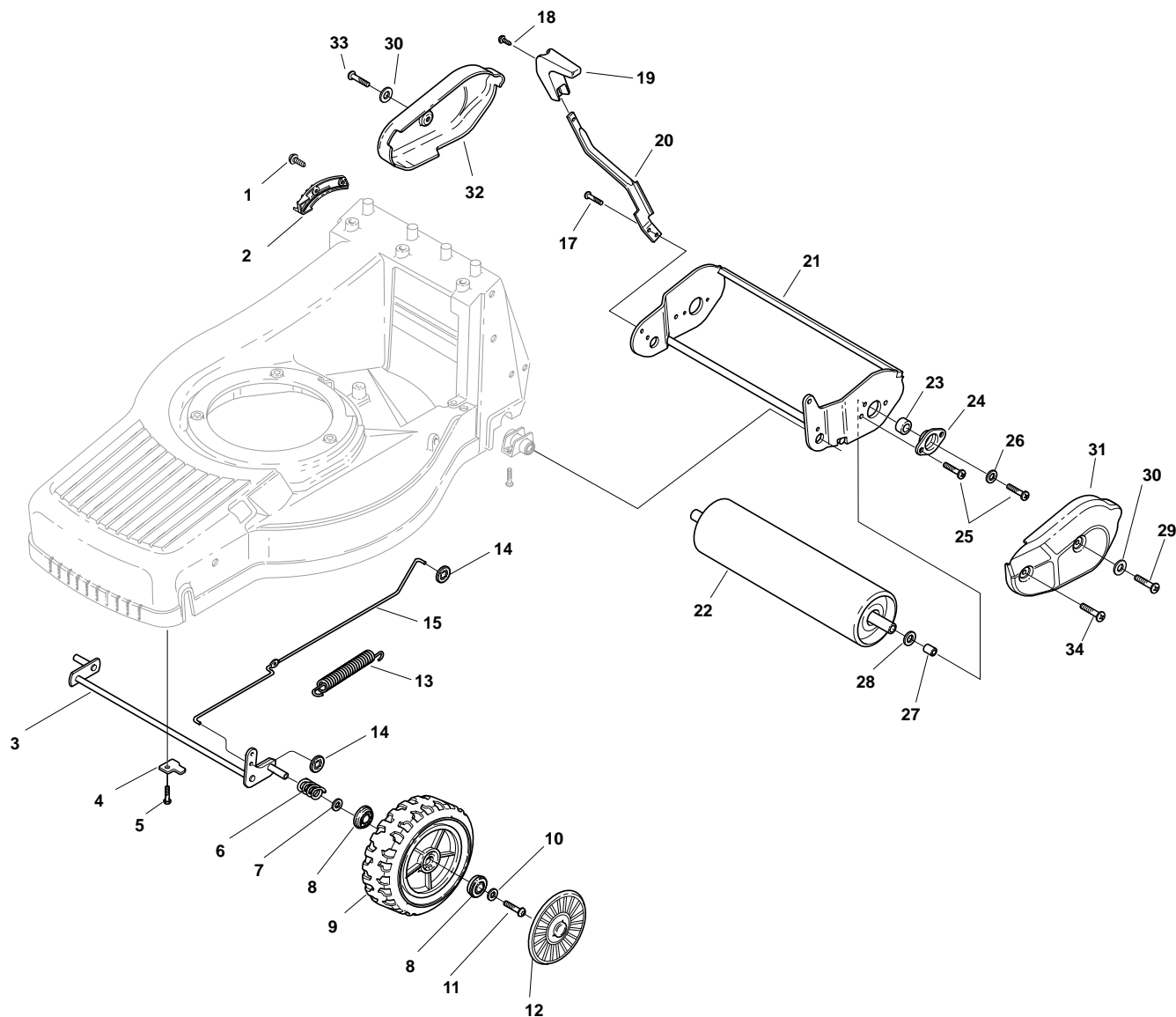
TR-E ROLLER 4S



2009

57_005

1 / 2



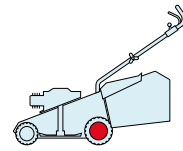
POS.	CODE	Q.TY	DESCRIZIONE	DESCRIPTION	DESCRIPTION	BESCHREIBUNG	REMARKS
1	12728300/0	2	Vite	Screw	Vis	Schraube	
2	22735553/0	1	Settore Di Regolazione	Sector, Height Adjustment	Secteur Reglage	Sektor, Höheverstellung	
3	81002845/0	1	Asse Ruote Anteriore	Axle, Front Wheels	Axe Roues Avant	Achse, Vorderrad	504
3	81002847/0	1	Asse Ruote Anteriore	Axle, Front Wheels	Axe Roues Avant	Achse, Vorderrad	554
4	22545160/0	2	Piastrina	Plate	Plaquette	Plättchen	
5	12735664/0	2	Vite	Screw	Vis	Schraube	
6	22430210/0	2	Molla	Spring	Ressort	Feder	
7	12521370/0	2	Rosetta	Washer	Rondelle	Scheibe	
8	22122200/0	4	Cuscinetto	Bearing	Coussinet	Lager	
9	81007351/0	2	Ruota Ø 170	Wheel, Ø 170	Roue Ø 170	Rad Ø 170	
10	12521460/0	2	Rosetta	Washer	Rondelle	Scheibe	
11	12735662/0	2	Vite	Screw	Vis	Schraube	
12	-	2	Coprizzo	Hub Cap	Couvre-Moyeu	Radkappe	(See Enclosure 1)
13	22446181/0	1	Molla	Spring	Ressort	Feder	
14	12604898/0	2	Fissatore A Corona	Crown Fastener	Fixateur A Couronne	Kronescheibe	

POS.	CODE	Q.TY	DESCRIZIONE	DESCRIPTION	DESCRIPTION	BESCHREIBUNG	REMARKS
15	22033325/0	1	Asta Comando Regol. Altezza	Rod, Height Adjustment Control	Tige Commande Reglage Hauteur	Stange, Höheverstellung	504
15	22033326/0	1	Asta Comando Regol. Altezza	Rod, Height Adjustment Control	Tige Commande Reglage Hauteur	Stange, Höheverstellung	554
17	12735664/0	2	Vite	Screw	Vis	Schraube	
268	12728690/0	1	Vite	Screw	Vis	Schraube	
269	22399805/0	1	Manopolina	Knob	Poignée	Griff	
30	22321505/0	1	Leva Regolazione Altezza	Lever, Height Adjustment	Levier Reglage Hauteur	Hebel, Höheverstellung	
31	81005115/0	1	Supporto Roller	Roller Support	Support Roller	Rollrhlter	504
31	81005117/0	1	Supporto Roller	Roller Support	Support Roller	Rollrhlter	554
32	81007403/0	1	Roller	Roller	Roller	Roller	504
32	81007405/0	1	Roller	Roller	Roller	Roller	554
33	19216036/0	2	Cuscinetto	Bearing	Coussinet	Lager	
34	22207323/0	2	Flangia	Flange	Bride	Flansch	
35	12735662/0	6	Vite	Screw	Vis	Schraube	
36	12523040/0	3	Rosetta	Washer	Rondelle	Scheibe	
37	22170820/0	1	Distanziale	Spacer	Entretoise	Distanzring	
38	12523100/0	1	Rosetta	Washer	Rondelle	Scheibe	
39	12735592/0	1	Vite	Screw	Vis	Schraube	
40	12523040/0	5	Rosetta	Washer	Rondelle	Scheibe	
41	22060202/0	1	Protezione Sx	L Protection	Protection G	Linke Schutz	504
41	22060203/0	1	Protezione Sx	L Protection	Protection G	Linke Schutz	554
42	22060201/0	1	Protezione Dx	R Protection	Protection D	Rechte Schutz	
43	12735592/0	1	Vite	Screw	Vis	Schraube	
44	12735592/0	1	Vite	Screw	Vis	Schraube	
44	12735594/0	1	Vite	Screw	Vis	Schraube	

TU

504
TR ROLLER 4S

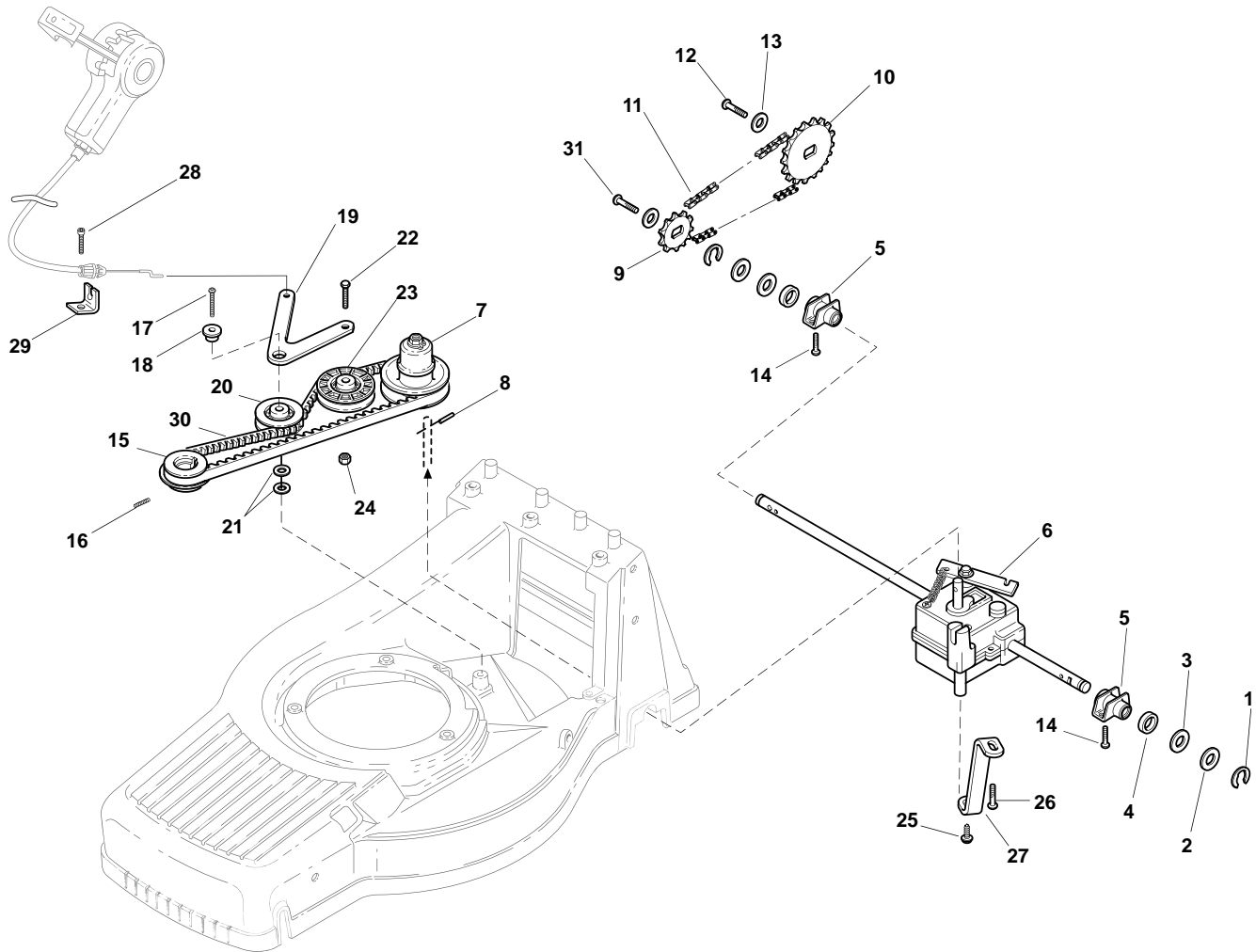
554
TR-E ROLLER 4S



2009

57_006

1 / 2



POS.	CODE	Q.TY	DESCRIZIONE	DESCRIPTION	DESCRIPTION	BESCHREIBUNG	REMARKS
1	12000957/0	2	Anello Benzing	Benzing	Anneau Benzing	Benzing	
2	22671659/0	2	Rondella	Washer	Rondelle	Scheibe	
3	12520032/0	2	Rosetta	Washer	Rondelle	Scheibe	
4	19035152/0	2	Anello Or	Or Ring	Bague Or	Ring Or	
5	22785153/0	2	Supporto Gruppo Trazione	Support, Gear Box	Support Gr. Traction	Halter, Antrieb	
6	81003087/0	1	Gruppo Trazione	Gear Box	Groupe Traction	Antrieb	
7	22601916/0	1	Puleggia	Pulley	Poulie	Riemenscheibe	
8	12645700/0	1	Spina Elastica	Pin	Goupille	Stift	
9	22120107/0	1	Corona	Ring Gear	Couronne	Kranz	
10	22120106/0	1	Corona Trascinamento	Ring Gear	Couronne	Kranz	
11	15189003/0	1	Catena	Chain	Chaine	Kette	
12	12735662/0	1	Vite	Screw	Vis	Schraube	
13	12523040/0	2	Rosetta	Washer	Rondelle	Scheibe	
14	12735664/0	4	Vite	Screw	Vis	Schraube	
15	22601917/0	1	Puleggia, Albero Motore Ø 22.2	Pulley, Crankshaft Ø 22.2	Poulie, Arbre Moteur Ø 22.2	Riemenscheibe, Motorwelle Ø 22.2	
15	122601920/0	1	Puleggia, Albero Motore Ø 25	Pulley, Crankshaft Ø 25	Poulie, Arbre Moteur Ø 25	Riemenscheibe, Motorwelle Ø 25	
16	12714312/0	1	Grano	Dowel	Grain	Stift	

POS.	CODE	Q.TY	DESCRIZIONE	DESCRIPTION	DESCRIPTION	BESCHREIBUNG	REMARKS
17	12735669/0	1	Vite	Screw	Vis	Schraube	
18	22671656/0	1	Rondella	Washer	Rondelle	Scheibe	
19	22320001/0	1	Leva Trazione	Driving Lever	Levier Traction	Antriebhebel	504
19	22320003/0	1	Leva Trazione	Driving Lever	Levier Traction	Antriebhebel	554
20	22601915/0	1	Puleggia	Pulley	Poulie	Riemenscheibe	
21	12523040/0	2	Rosetta	Washer	Rondelle	Scheibe	
22	12674550/0	1	Vite	Screw	Vis	Schraube	
23	22601914/0	1	Puleggia	Pulley	Poulie	Riemenscheibe	
24	12154510/0	1	Dado	Nut	Ecrou	Mutter	
25	12728300/0	1	Vite	Screw	Vis	Schraube	
26	12735664/0	1	Vite	Screw	Vis	Schraube	
27	22778409/0	1	Supporto	Support	Support	Halter	504
27	22778407/0	1	Supporto	Support	Support	Halter	554
28	12735664/0	1	Vite	Screw	Vis	Schraube	
29	22806619/0	1	Supporto	Support	Support	Halter	
30	35064378/0	1	Cinghia	Belt	Courroire	Riemen	504
30	35064383/0	1	Cinghia	Belt	Courroire	Riemen	554
31	12735592/0	1	Vite	Screw	Vis	Schraube	

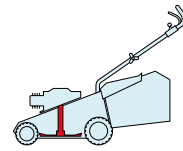
TU

504

TR ROLLER 4S

554

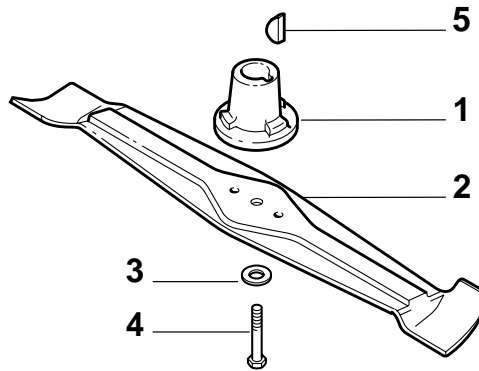
TR-E ROLLER 4S



2009

57_007

1 / 1



POS.	CODE	Q.TY	DESCRIZIONE	DESCRIPTION	DESCRIPTION	BESCHREIBUNG	REMARKS
1	22465618/0	1	Mozzo, Albero Motore Ø 22.2	Hub, Crankshaft Ø 22.2	Moyeu, Arbre Moteur Ø 22.2	Halter, Motorwelle Ø 22.2	
1	122465630/0	1	Mozzo, Albero Motore Ø 25	Hub, Crankshaft Ø 25	Moyeu, Arbre Moteur Ø 25	Halter, Motorwelle Ø 25	
2	81004143/0	1	Coltello Alettato	Blade Winged	Lame Ailetteé	Messer Flügel	504
2	81004144/0	1	Coltello Alettato	Blade Winged	Lame Ailetteé	Messer Flügel	554
3	12530140/0	1	Rosetta	Washer	Rondelle	Scheibe	
4	12735698/0	1	Vite	Screw	Vis	Schraube	
5	12139100/0	1	Linguetta, Albero Motore Ø 22.2	Feather, Crankshaft Ø 22.2	Clavette, Arbre Moteur Ø 22.2	Keil, Motorwelle Ø 22.2	
5	12139150/0	1	Linguetta, Albero Motore Ø 25	Feather, Crankshaft Ø 25	Clavette, Arbre Moteur Ø 25	Keil, Motorwelle Ø 25	

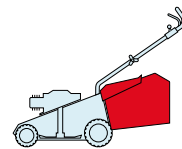
TU

504

TR ROLLER 4S

554

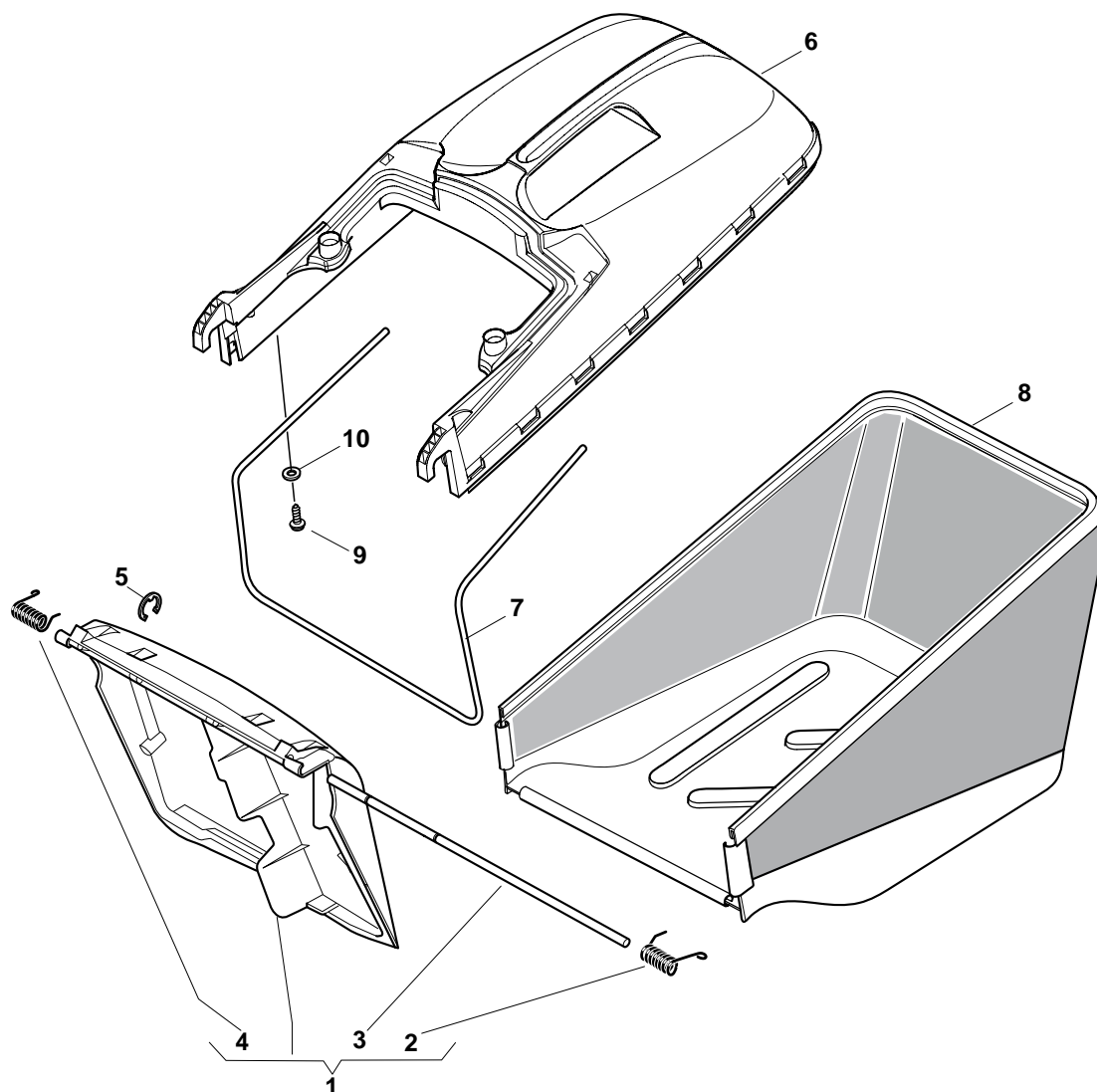
TR-E ROLLER 4S



2009

57_008

1 / 1



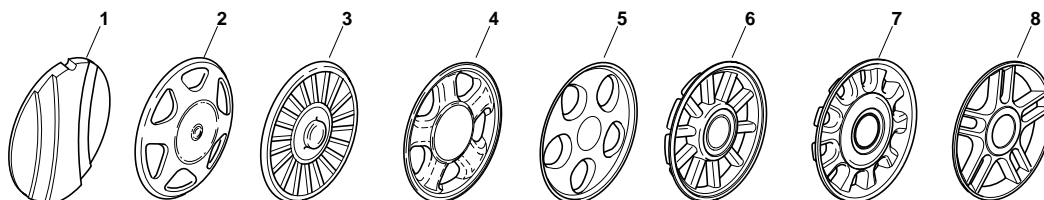
POS.	CODE	Q.TY	DESCRIZIONE	DESCRIPTION	DESCRIPTION	BESCHREIBUNG	REMARKS
1	381008021/1	1	Parasassi	Stone-Guard	Pare-Pierres	Prallblech	
2	22450420/1	1	Molla Sx	L Spring	Ressort G	Linke Feder	
3	22517906/1	1	Perno	Pin	Pivot	Bolzen	
4	22450410/1	1	Molla Dx	R Spring	Ressort D	Rechte Feder	
6	22486104/1	1	Sacco, Parte Sup	Grass-Box, Upper Part	Sac, Partie Superieure	Korb, Oberteil	
7	12728300/0	2	Vite	Screw	Vis	Schraube	
8	12521460/0	2	Rosetta	Washer	Rondelle	Scheibe	
9	22608522/0	1	Rinforzo Inf	Stiffening Lower	Réinforcement Inf	Verstärkung Untere	
10	81002237/0	1	Sacco, Tela	Box, Fabric	Sac, Toile	Sack, Tuck	

ENCLOSURE 1

2009

001.0

1 / 1



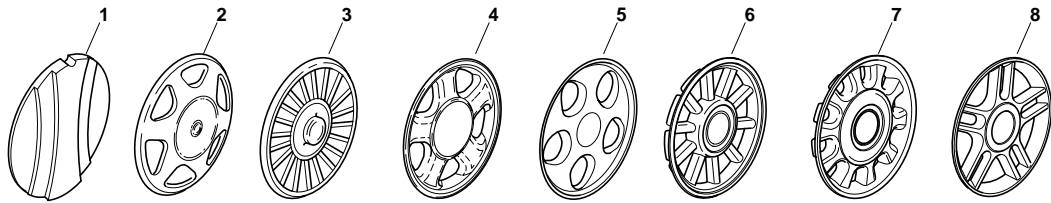
POS.	CODE	Q.TY	DESCRIZIONE	DESCRIPTION	DESCRIPTION	BESCHREIBUNG	REMARKS
1	22110252/1		Coprimozzo Bianco	Hub Cap White	Couvre-Moyeu	Radkappe Weiße	
1	22110254/1		Coprimozzo Giallo	Hub Cap Yellow	Couvre-Moyeu	Radkappe Gelbe	
1	22110255/1		Coprimozzo Rosso	Hub Cap Red	Couvre-Moyeu	Radkappe Rote	
2	22110344/0		Coprimozzo Bianco	Hub Cap White	Couvre-Moyeu	Radkappe Weiße	
2	22110395/0		Coprimozzo Grigio	Hub Cap Grey	Couvre-Moyeu Gris	Radkappe Grau	
3	22110347/0		Coprimozzo Grigio	Hub Cap Grey	Couvre-Moyeu Gris	Radkappe Grau	
4	22110381/0		Coprimozzo Grigio	Hub Cap Grey	Couvre-Moyeu Gris	Radkappe Grau	
5	22110416/0		Coprimozzo Grigio	Hub Cap Grey	Couvre-Moyeu Gris	Radkappe Grau	
6	22110495/0		Coprimozzo Grigio	Hub Cap Grey	Couvre-Moyeu Gris	Radkappe Grau	
7	22110493/0		Coprimozzo Grigio	Hub Cap Grey	Couvre-Moyeu Gris	Radkappe Grau	
8	22110491/0		Coprimozzo Grigio	Hub Cap Grey	Couvre-Moyeu Gris	Radkappe Grau	

ENCLOSURE 2

2009

002.0

1 / 1



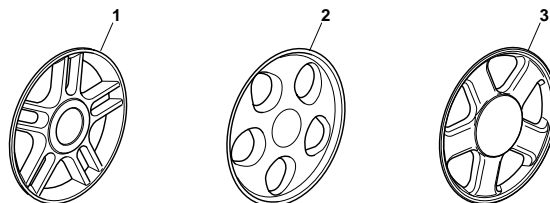
POS.	CODE	Q.TY	DESCRIZIONE	DESCRIPTION	DESCRIPTION	BESCHREIBUNG	REMARKS
1	22110251/0		Coprismozzo Bianco	Hub Cap White	Couvre-Moyeu	Radkappe Weiße	
1	22110253/0		Coprismozzo Giallo	Hub Cap Yellow	Couvre-Moyeu	Radkappe Gelbe	
1	22110256/0		Coprismozzo Rosso	Hub Cap Red	Couvre-Moyeu	Radkappe Rote	
2	22110313/0		Coprismozzo Bianco	Hub Cap White	Couvre-Moyeu	Radkappe Weiße	
2	22110314/0		Coprismozzo Grigio	Hub Cap Grey	Couvre-Moyeu Gris	Radkappe Grau	
3	22110348/0		Coprismozzo Grigio	Hub Cap Grey	Couvre-Moyeu Gris	Radkappe Grau	
4	22110382/0		Coprismozzo Grigio	Hub Cap Grey	Couvre-Moyeu Gris	Radkappe Grau	
5	22110417/0		Coprismozzo Grigio	Hub Cap Grey	Couvre-Moyeu Gris	Radkappe Grau	
6	22110496/0		Coprismozzo Grigio	Hub Cap Grey	Couvre-Moyeu Gris	Radkappe Grau	
7	22110494/0		Coprismozzo Grigio	Hub Cap Grey	Couvre-Moyeu Gris	Radkappe Grau	
8	22110492/0		Coprismozzo Grigio	Hub Cap Grey	Couvre-Moyeu Gris	Radkappe Grau	

ENCLOSURE 3

2009

003.0

1 / 1



POS.	CODE	Q.TY	DESCRIZIONE	DESCRIPTION	DESCRIPTION	BESCHREIBUNG	REMARKS
1	322110560/0		Coprimezzo Grigio	Hub Cap Grey	Couvre-Moyeu Gris	Radkappe Grau	
2	322110590/0		Coprimezzo Grigio	Hub Cap Grey	Couvre-Moyeu Gris	Radkappe Grau	
3	22110511/0		Coprimezzo Grigio	Hub Cap Grey	Couvre-Moyeu Gris	Radkappe Grau	