

ILLUSTRATED PARTS LIST

TU 504 TR TU 504 TR-E

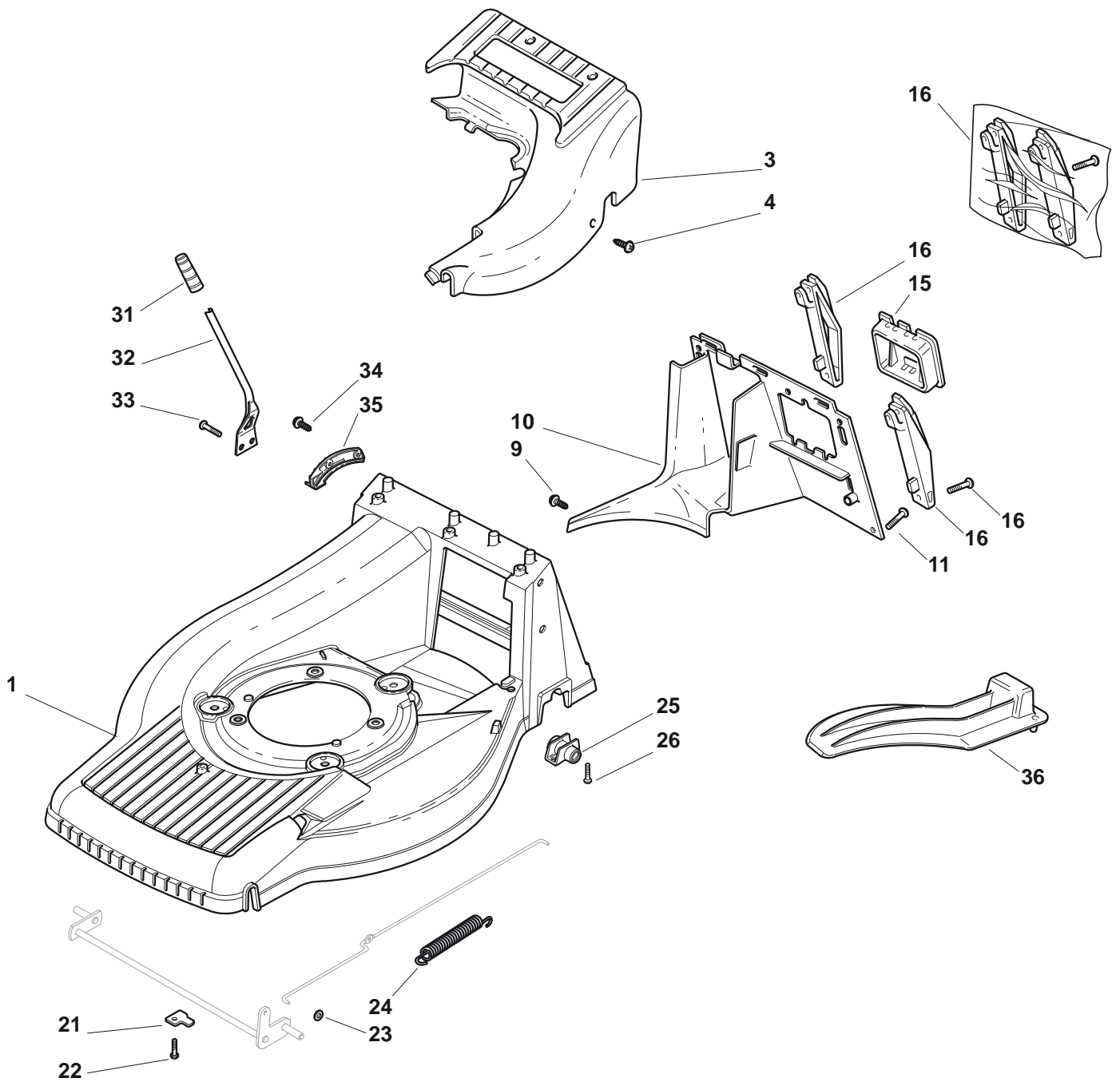


- Use GLOBAL GARDEN PRODUCT Genuine Spare Parts specified in the parts list for repair and/or replacement.
- The contents described in the parts list may change due to improvement.
- The drawings of the spare parts are only indicative and might not represent the part in question exactly.
- The indications "right" - "left" - "front" - "rear" refer to the position of the operator when using the machine.
- When placing orders of parts for repair and/or replacement, make sure that the illustrated parts list is the one applying to the machine's year of manufacture, as shown on the identification plate attached to the machine.

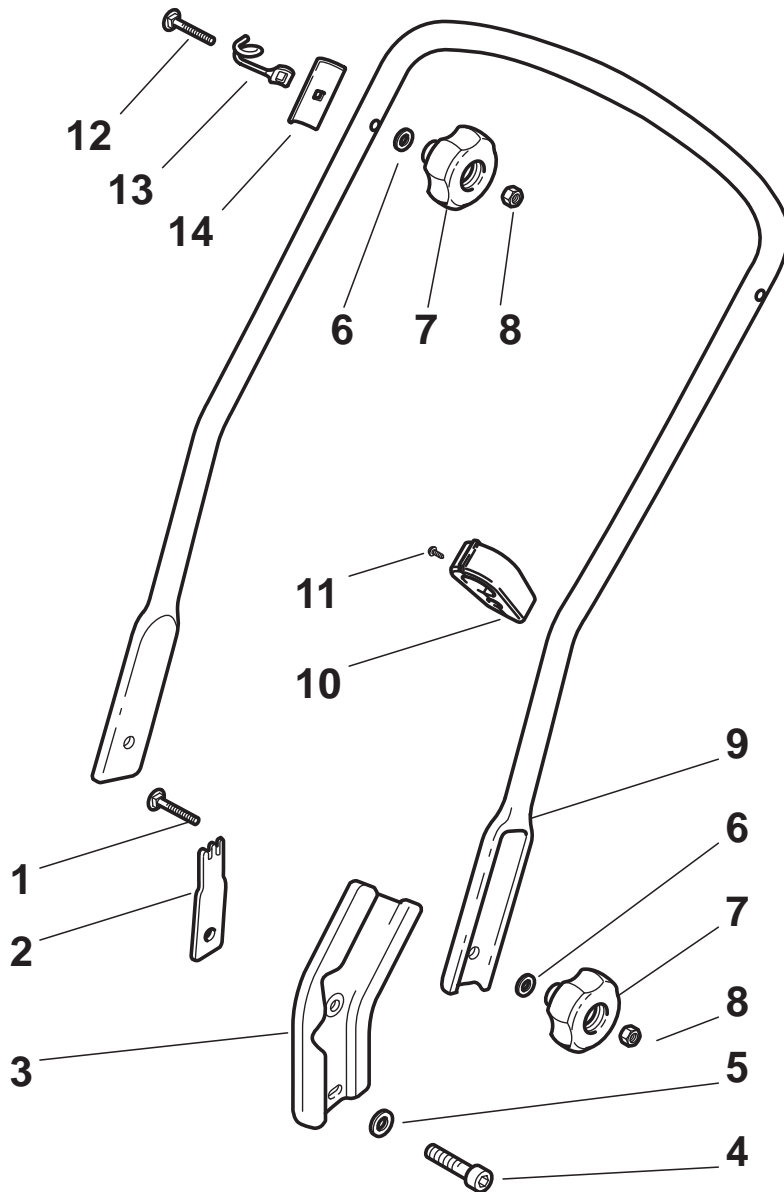
© Copyright 2013 Global Garden Products

All content is subject to copyright by Global Garden Products and may not be reproduced in whole or in part by any means, electronic or otherwise, without prior written approval.

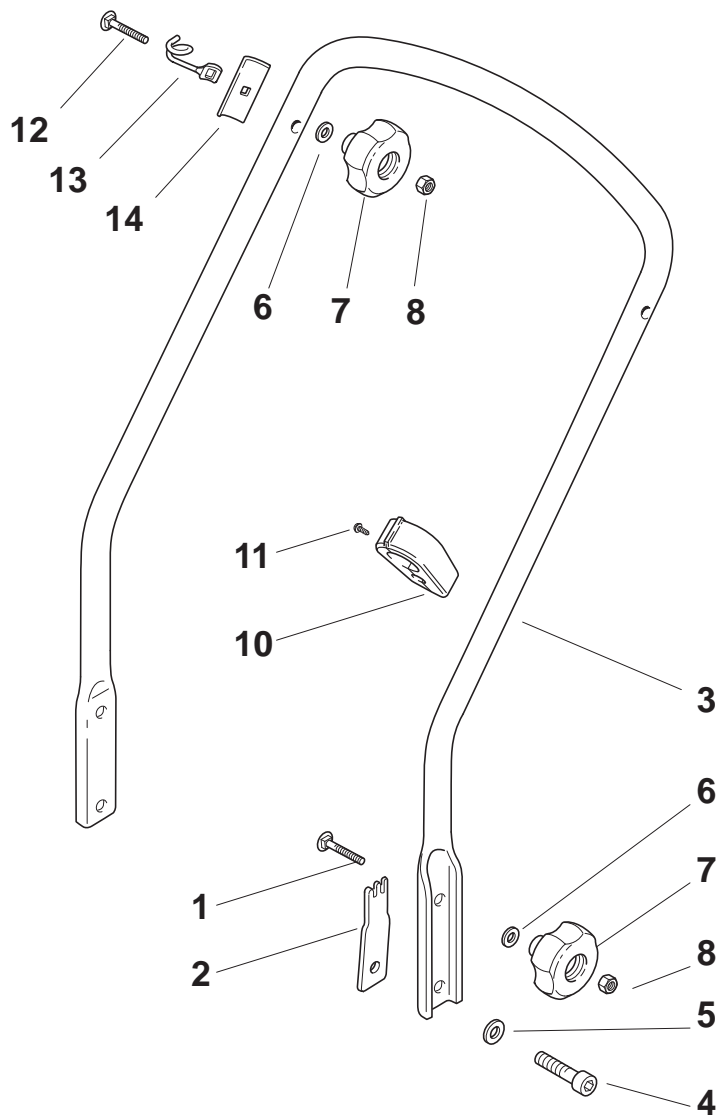
THIS INFORMATION IS NOT INTENDED FOR SALE OR RESALE, AND THIS NOTICE MUST REMAIN ON ALL COPIES.



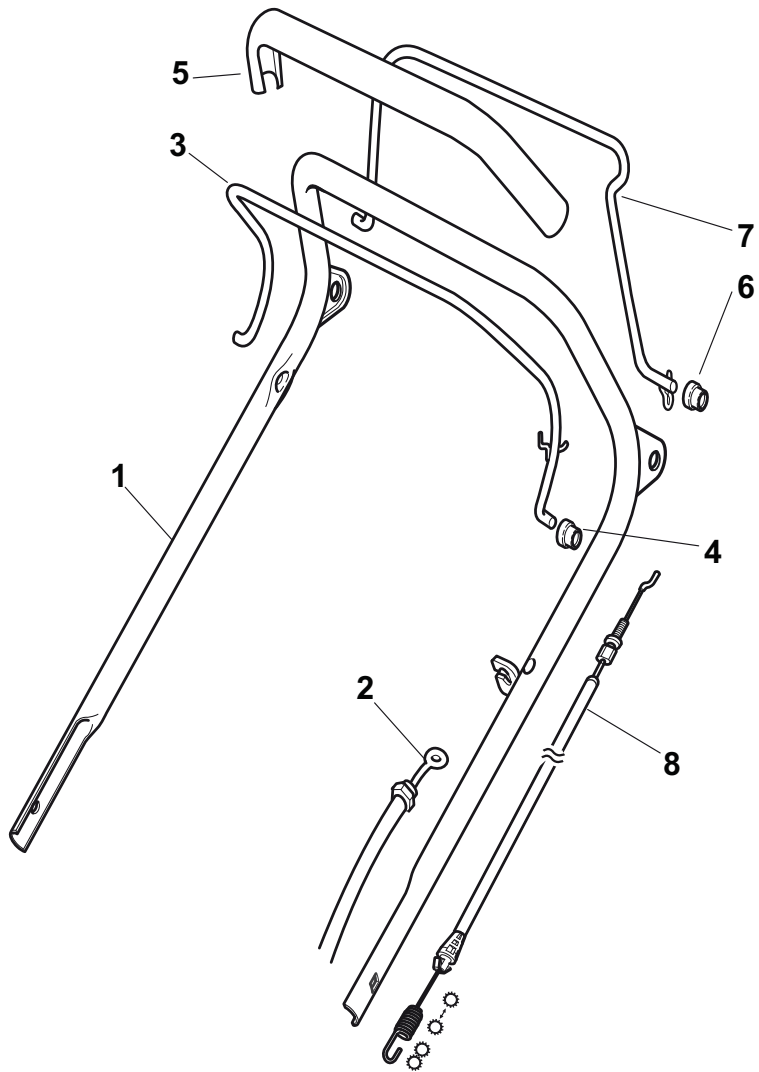
POS	PART. NO	Q.ty	DESCRIPTION	DESCRIZIONE	DESCRIPTION	BESCHREIBUNG	REMARKS
1	381002657/0	1	Deck Yellow	Chassis Giallo	Châssis Jaune	Gehäuse Gelb	
1	381002669/0	1	Deck Red	Chassis Rosso	Châssis Rouge	Gehäuse Rot	
3	322060152/0	1	Protection, Yellow	Carter, Giallo	Protection, Jaune	Schutz, Gelb	
3	322060153/1	1	Protection, Red	Carter, Rosso	Protection, Rouge	Schutz, Rot	
4	112728300/0	3	Screw	Vite	Vis	Schraube	
9	112728300/0	1	Screw	Vite	Vis	Schraube	
10	322108277/0	1	Rear Conveyor Assy	Convogl. Posteriore	Ens. Convoyeur Post.	Hinterleitblechsatz	
11	112735664/0	3	Screw	Vite	Vis	Schraube	
15	322109531/0	1	Cover	Capottina	Capot	Haube	
16	381008658/1	1	Outfit, Supports	Dotazione Supporti	Dotation Support	Satz, Halter	
21	322545160/0	2	Plate	Piastrina	Plaquette	Plättchen	
22	112735664/0	2	Screw	Vite	Vis	Schraube	
23	112604898/0	2	Crown Fastener	Fissatore A Corona	Fixateur A Couronne	Kronescheibe	
24	122446181/0	1	Spring	Molla	Ressort	Feder	
25	322785153/0	2	Support, Gear Box	Supporto Gruppo Trazione	Support Gr.	Halter, Antrieb	
26	112735664/0	4	Screw	Vite	Vis	Schraube	
31	322399808/0	1	Knob	Manopolina	Poignée	Griff	
32	322321515/0	1	Lever, Height Adjustment	Leva Regolazione Altezza	Levier Reglage Hauteur	Hebel, Höneverstellung	
33	112735661/0	2	Screw	Vite	Vis	Schraube	
34	112728300/0	2	Screw	Vite	Vis	Schraube	
35	322735563/0	1	Sector, Height Adjustment	Settore Regolazione Altezza	Secteur Reglage Hauteur	Sektor, Höneverstellung	
36	322140231/0	1	Deflector	Deflettore	Deflecteur	Abweiser	



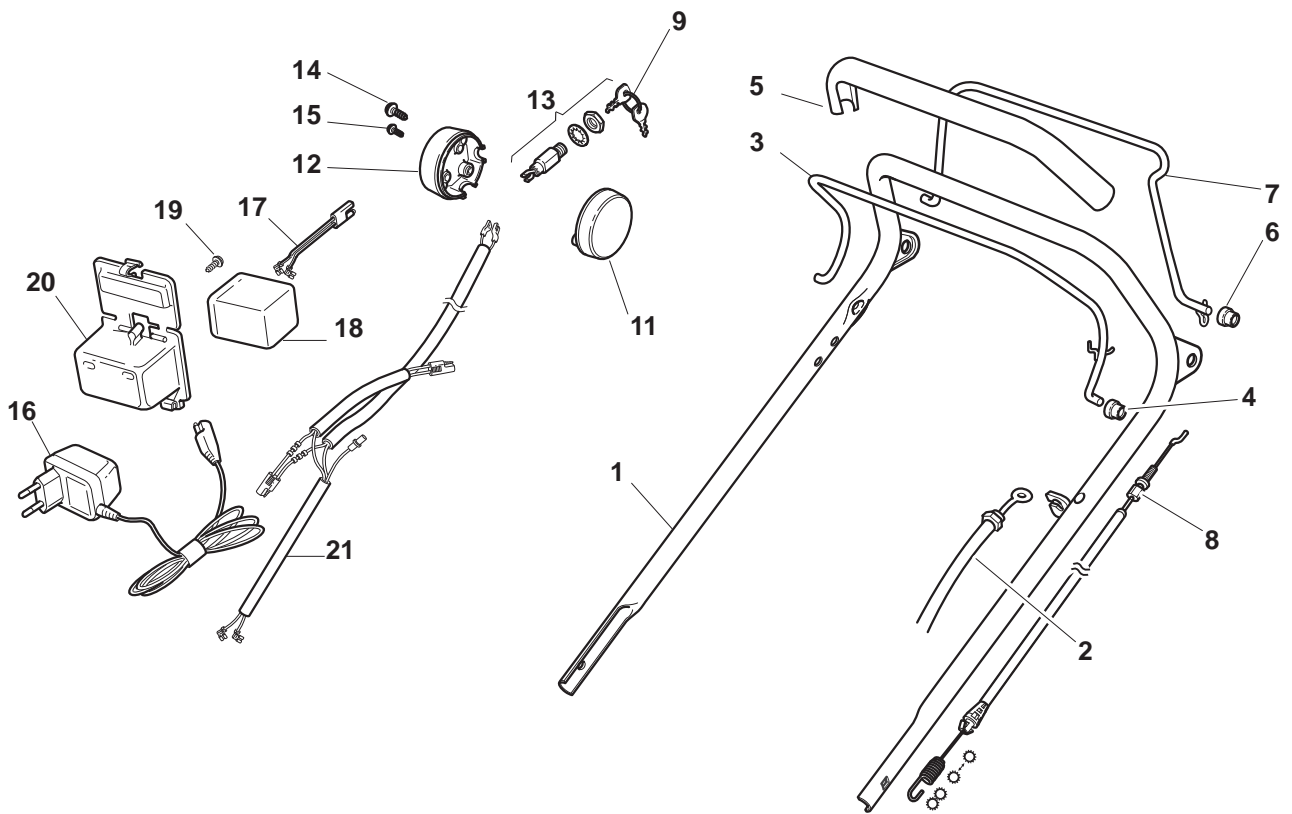
POS	PART. NO	Q.ty	DESCRIPTION	DESCRIZIONE	DESCRIPTION	BESCHREIBUNG	REMARKS
1	112820655/0	2	Screw	Vite	Vis	Schraube	
2	322551635/0	1	Plate For Handle	Piastrina Fissaggio Manico	Plaquette Fixage Mancheron	Platte Holmbefestigung	
3	322778405/0	2	Support	Supporto	Support	Halter	
4	112760515/0	2	Screw	Vite	Vis	Schraube	
5	112521350/0	2	Washer	Rosetta	Rondelle	Scheibe	
6	112521350/0	4	Washer	Rosetta	Rondelle	Scheibe	
7	322399810/0	4	Knob	Manopolina	Poignée	Griff	
8	112361005/0	4	Nut	Dado	Ecrou	Mutter	
9	381006613/0	1	Handle, Lower Part	Parte Inf Maniglia	Poignée, Partie Inferieure	Griff, Unterteil	Black
9	381006631/0	1	Handle, Lower Part	Parte Inf Maniglia	Poignée, Partie Inferieure	Griff, Unterteil	Yellow
10	322192001/0	1	Anchor Clamp	Fascetta Ancoraggio	Collier	Bowdenzughalter	
11	112728691/0	1	Screw	Vite	Vis	Schraube	
12	112820655/0	2	Screw	Vite	Vis	Schraube	
13	122430311/0	1	Guide Spring	Molla Guida	Ressort De Guide	Feder Führer	
14	322545137/0	2	Plate For Handle Fastening	Piastrina Fissaggio Manico	Plaquette Fixage Mancheron	Platte Holmbefestigung	



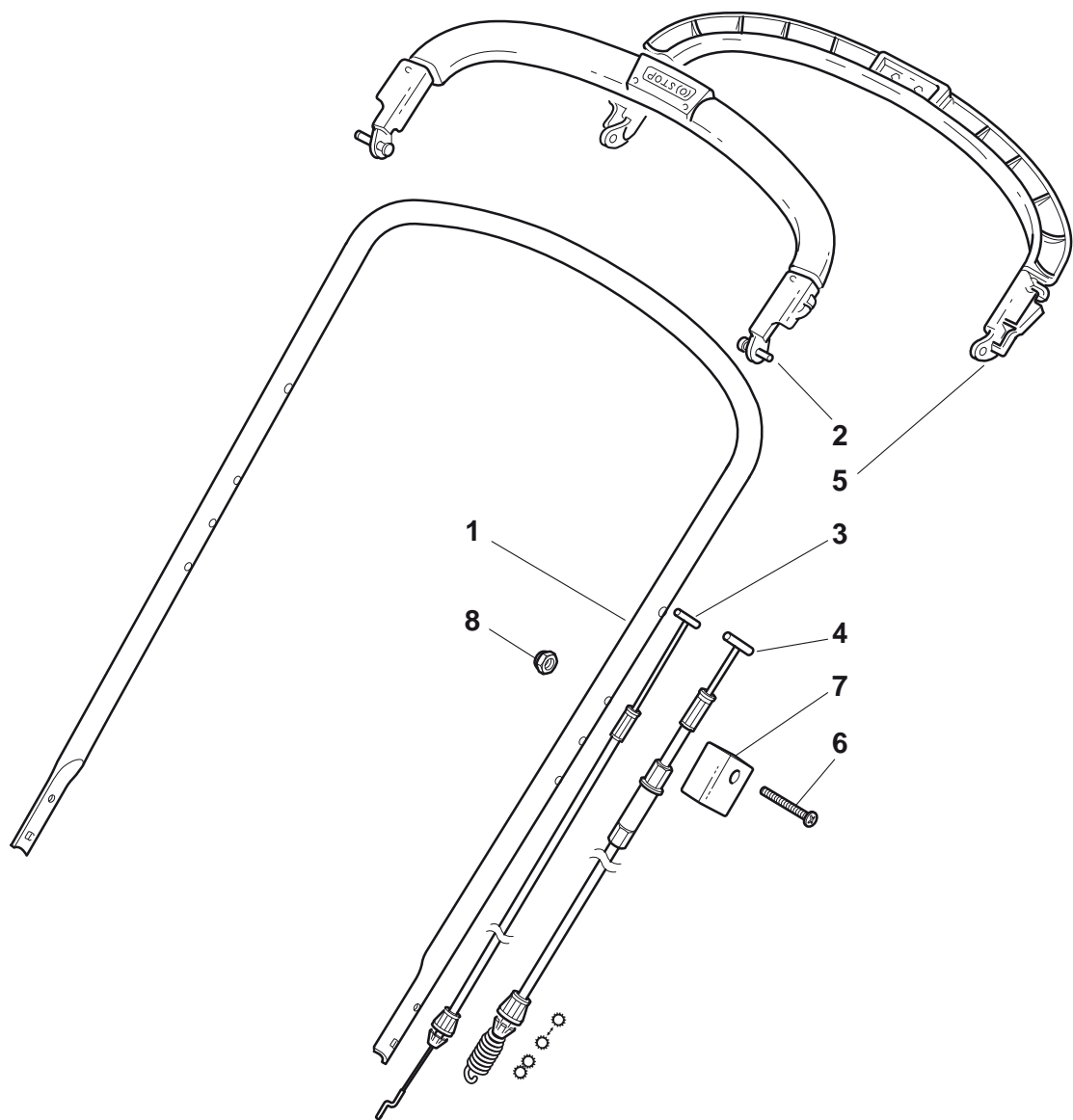
POS	PART. NO	Q.ty	DESCRIPTION	DESCRIZIONE	DESCRIPTION	BESCHREIBUNG	REMARKS
1	112820655/0	2	Screw	Vite	Vis	Schraube	
2	322551635/0	2	Plate For Handle	Piastrina Fissaggio Manico	Plaquette Fixage Mancheron	Platte Holmbefestigung	
3	381006641/0	1	Handle, Lower Part	Parte Inf Maniglia	Poignée, Partie Inferieure	Griff, Unterteil	
4	112760515/0	2	Screw	Vite	Vis	Schraube	
5	112521350/0	2	Washer	Rosetta	Rondelle	Scheibe	
6	112521350/0	4	Washer	Rosetta	Rondelle	Scheibe	
7	322399810/0	4	Knob	Manopolina	Poignée	Griff	
8	112361005/0	4	Nut	Dado	Ecrou	Mutter	
10	322192001/0	1	Anchor Clamp	Fascetta Ancoraggio	Collier	Bowdenzughalter	
11	112728691/0	1	Screw	Vite	Vis	Schraube	
12	112820655/0	2	Screw	Vite	Vis	Schraube	
13	122430311/0	1	Guide Spring	Molla Guida	Ressort De Guide	Feder Führer	
14	322545137/0	2	Plate For Handle Fastening	Piastrina Fissaggio Manico	Plaquette Fixage Mancheron	Platte Holmbefestigung	



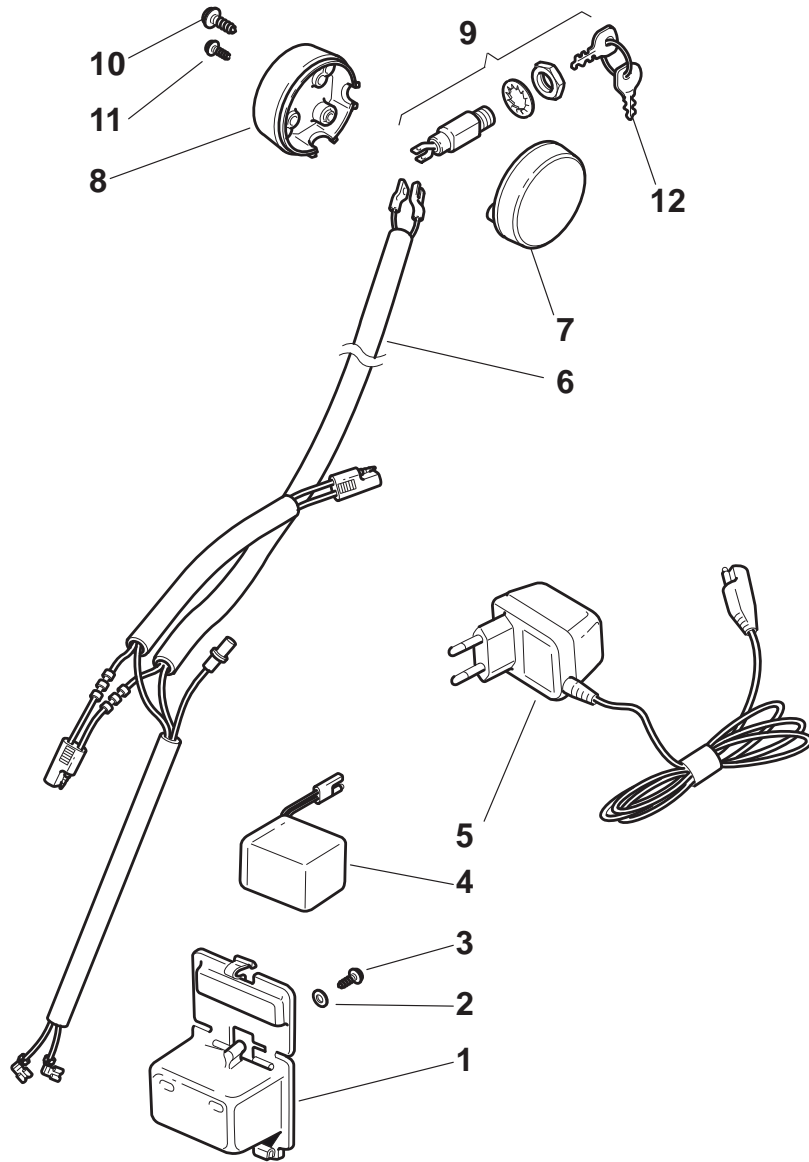
POS	PART. NO	Q.ty	DESCRIPTION	DESCRIZIONE	DESCRIPTION	BESCHREIBUNG	REMARKS
1	381007024/0	1	Handle, Upper Part	Manico, Parte Sup	Mancheron, Partie Superieure	Holm, Oberteil	
2	181000634/0	1	Cable, Thread Engine Brake	Cavo Freno Motore	Cable Frein Moteur	Kabel, Motorbremse	B&S
2	181000634/0	1	Cable, Thread Engine Brake	Cavo Freno Motore	Cable Frein Moteur	Kabel, Motorbremse	HONDA-GGP
2	181000756/0	1	Cable, Thread Engine Brake	Cavo Freno Motore	Cable Frein Moteur	Kabel, Motorbremse	GGP150cc
2	181030006/0	1	Cable, Thread Engine Brake	Cavo Freno Motore	Cable Frein Moteur	Kabel, Motorbremse	B&S 700-750
3	181003291/3	1	Lever, Engine Brake	Leva Freno Motore	Levier Frein Moteur	Hebel, Motorbremse	
4	122041966/0	2	Bush	Bussola	Douille	Büchse	
5	122291050/0	1	Handgrip Black	Impugnatura Manico Nera	Poignée Noir	Handgriff Schwarz	
6	322041965/1	2	Bush	Bussola	Douille	Büchse	
7	181003288/1	1	Lever, Driving	Leva Trazione	Levier Traction	Antriebhebel	
8	381030008/0	1	Cable, Rear Drive	Cavo Comando Trazione	Câble, Comm. Traction	Kabel, Antrieb	
8	322545211/0	2	Plate	Piastrina	Plaquette	Plättchen	
9	322735595/1	2	Sector, Height Adjustment	Settore Regolazione Altezza	Secteur Reglage Hauteur	Sektor, Höheverstellung	



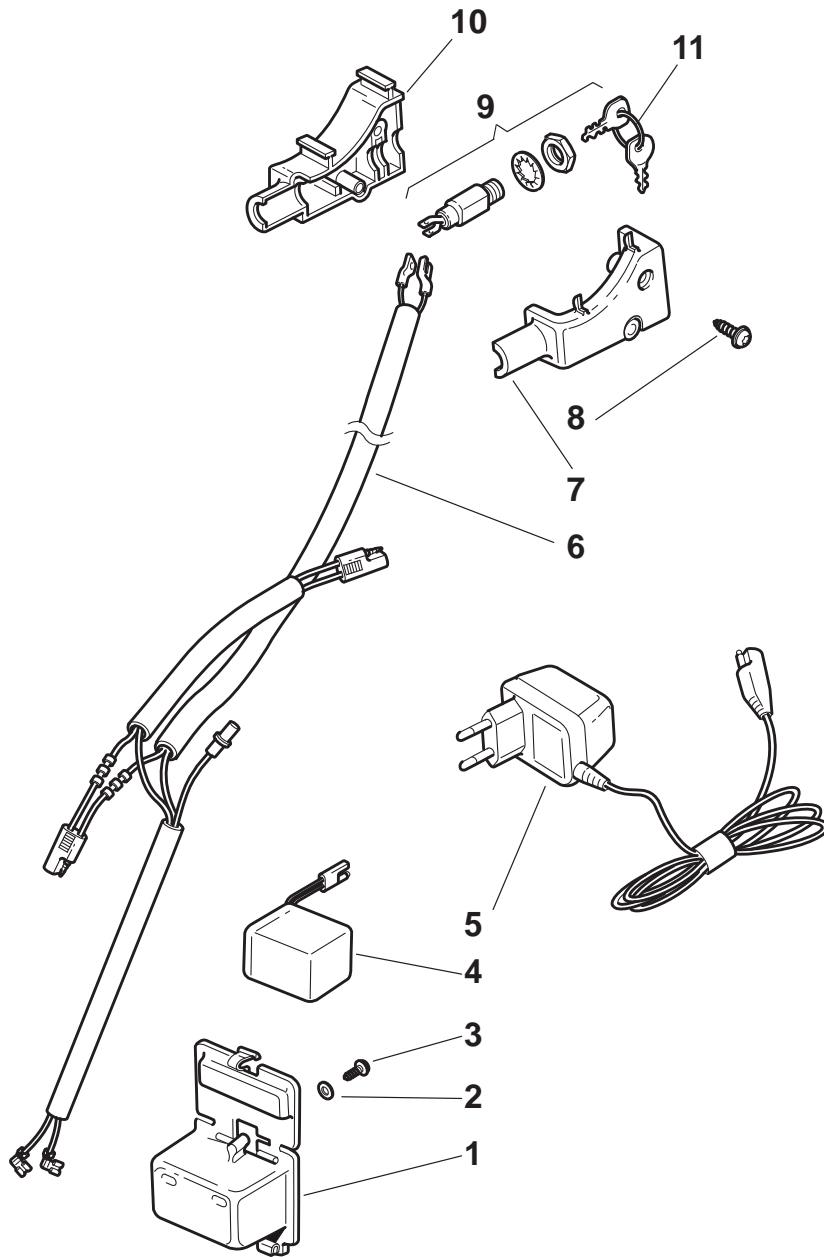
POS	PART. NO	Q.ty	DESCRIPTION	DESCRIZIONE	DESCRIPTION	BESCHREIBUNG	REMARKS
1	381006863/0	1	Handle, Upper Part	Manico, Parte Sup	Mancheron, Partie Superieure	Holm, Oberteil	
2	181000634/0	1	Cable, Thread Engine Brake	Cavo Freno Motore	Cable Frein Moteur	Kabel, Motorbremse	B&S
2	181000634/0	1	Cable, Thread Engine Brake	Cavo Freno Motore	Cable Frein Moteur	Kabel, Motorbremse	HONDA-GGP
2	181000756/0	1	Cable, Thread Engine Brake	Cavo Freno Motore	Cable Frein Moteur	Kabel, Motorbremse	GGP150cc
2	181030006/0	1	Cable, Thread Engine Brake	Cavo Freno Motore	Cable Frein Moteur	Kabel, Motorbremse	B&S 700-750
3	181003291/3	1	Lever, Engine Brake	Leva Freno Motore	Levier Frein Moteur	Hebel, Motorbremse	
4	122041966/0	2	Bush	Bussola	Douille	Büchse	
5	122291050/0	1	Handgrip Black	Impugnatura Manico Nera	Poignée Noir	Handgriff Schwarz	
6	322041965/1	2	Bush	Bussola	Douille	Büchse	
7	181003288/1	1	Lever, Driving	Leva Trazione	Levier Traction	Antriebhebel	
8	381030008/0	1	Cable, Rear Drive	Cavo Comando Trazione	Câble, Comm. Traction	Kabel, Antrieb	
9	118210016/1	1	Starting Key	Chiave Avviamento	Clef A Demarrage	Schlüssel Für Start	
11	322722801/0	1	L Protection	Protezione Sx	Protection G	Linke Schutz	
12	322722800/0	1	R Protection	Protezione Dx	Protection D	Rechte Schutz	
13	118450050/0	1	Switch	Interruttore	Interrupteur	Schalter	
14	112728300/0	2	Screw	Vite	Vis	Schraube	
15	112728691/0	1	Screw	Vite	Vis	Schraube	
16	118204120/0	1	Battery Charger	Carica Batteria	Chargeur De Batterie	Ladgerät	CE
16	118204121/0	1	Battery Charger	Carica Batteria	Chargeur De Batterie	Ladgerät	Uk
18	118120053/0	1	Battery	Batteria	Batterie	Batterie	
18	122063002/2	1	Cable, Start	Cavo Avviamento	Cable Démarrage	Kabel, Start	
19	112728691/0	1	Screw	Vite	Vis	Schraube	
20	322109533/0	1	Battery Box	Contentore Batteria	Conteneur De Batterie	Batterie Behälter	
21	118204196/0	1	Cable, Start	Cavo Avviamento	Cable Démarrage	Kabel, Start	



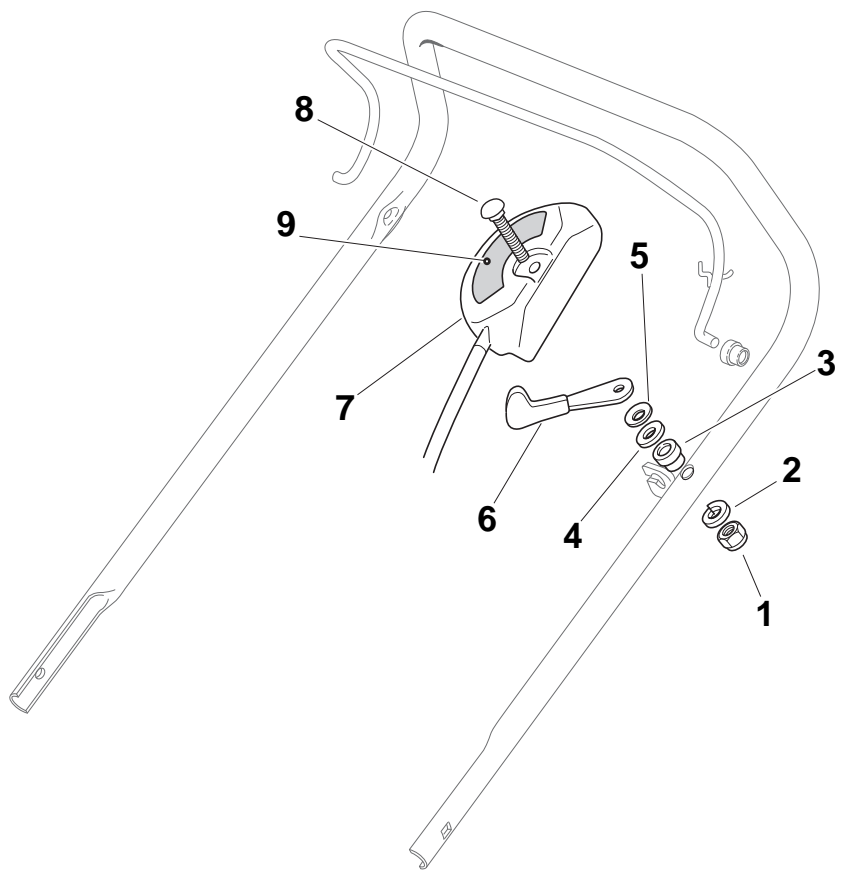
POS	PART. NO	Q.ty	DESCRIPTION	DESCRIZIONE	DESCRIPTION	BESCHREIBUNG	REMARKS
1	381006618/1	1	Handle, Upper Part	Manico, Parte Sup	Mancheron, Partie Superieure	Holm, Oberteil	Black
1	381006632/1	1	Handle, Upper Part	Manico, Parte Sup	Mancheron, Partie Superieure	Holm, Oberteil	Yellow
2	381003330/0	1	Lever, Engine Brake	Leva Freno Motore	Levier Frein Moteur	Hebel, Motorbremse	
3	181000686/0	1	Cable, Thread Engine Brake	Cavo Freno Motore	Cable Frein Moteur	Kabel, Motorbremse	B&S 450-500
3	181000692/0	1	Cable, Thread Engine Brake	Cavo Freno Motore	Cable Frein Moteur	Kabel, Motorbremse	B&S 675-Honda
3	181000692/0	1	Cable, Thread Engine Brake	Cavo Freno Motore	Cable Frein Moteur	Kabel, Motorbremse	B&S 625
3	181000688/0	1	Cable, Thread Engine Brake	Cavo Freno Motore	Cable Frein Moteur	Kabel, Motorbremse	GGP
3	181000689/0	1	Cable, Thread Engine Brake	Cavo Freno Motore	Cable Frein Moteur	Kabel, Motorbremse	TECUMSEH
3	181000777/0	1	Cable, Thread Engine Brake	Cavo Freno Motore	Cable Frein Moteur	Kabel, Motorbremse	GGP150cc
3	181000777/0	1	Cable, Thread Engine Brake	Cavo Freno Motore	Cable Frein Moteur	Kabel, Motorbremse	B&S 700
4	381000697/0	1	Cable, Rear Drive	Cavo Comando Trazione	Câble, Comm. Traction	Kabel, Antrieb	
5	381003297/1	1	Driving Lever	Leva Trazione	Levier Traction	Antriebhebel	
6	112727783/0	1	Screw	Vite	Vis	Schraube	
7	322551640/0	1	Plate	Piastrina	Plaquette	Plättchen	
8	112154510/0	1	Nut	Dado	Ecrou	Mutter	



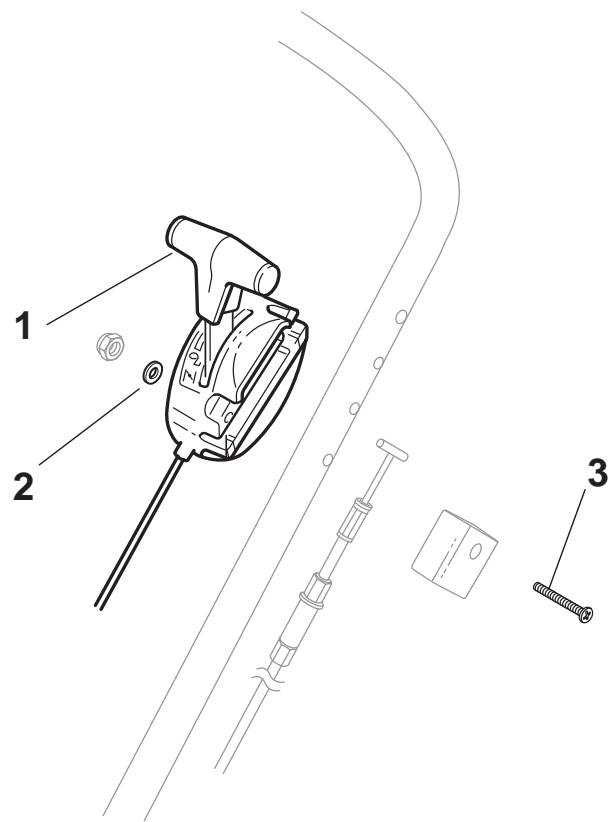
POS	PART. NO	Q.ty	DESCRIPTION	DESCRIZIONE	DESCRIPTION	BESCHREIBUNG	REMARKS
1	322109533/0	1	Battery Box	Contentitore Batteria	Conteneur De Batterie	Batterie Behälter	
2	112523040/0	1	Washer	Rosetta	Rondelle	Scheibe	
3	112728691/0	1	Screw	Vite	Vis	Schraube	
4	118120052/0	1	Battery	Batteria	Batterie	Batterie	
5	118204120/0	1	Battery Charger	Carica Batteria	Chargeur De Batterie	Ladgerät	UE plug
5	118204121/0	1	Battery Charger	Carica Batteria	Chargeur De Batterie	Ladgerät	Uk Plug
6	118204195/0	1	Cable, Start	Cavo Avviamento	Cable Démarrage	Kabel, Start	
7	322722801/0	1	L Protection	Protezione Sx	Protection G	Linke Schutz	
8	322722800/0	1	R Protection	Protezione Dx	Protection D	Rechte Schutz	
9	118450050/0	1	Switch	Interruttore	Interrupteur	Schalter	
10	112728702/0	2	Screw	Vite	Vis	Schraube	
11	112728691/0	1	Screw	Vite	Vis	Schraube	
12	118210016/1	1	Starting Key	Chiave Avviamento	Clef A Demarrage	Schlüssel Für Start	



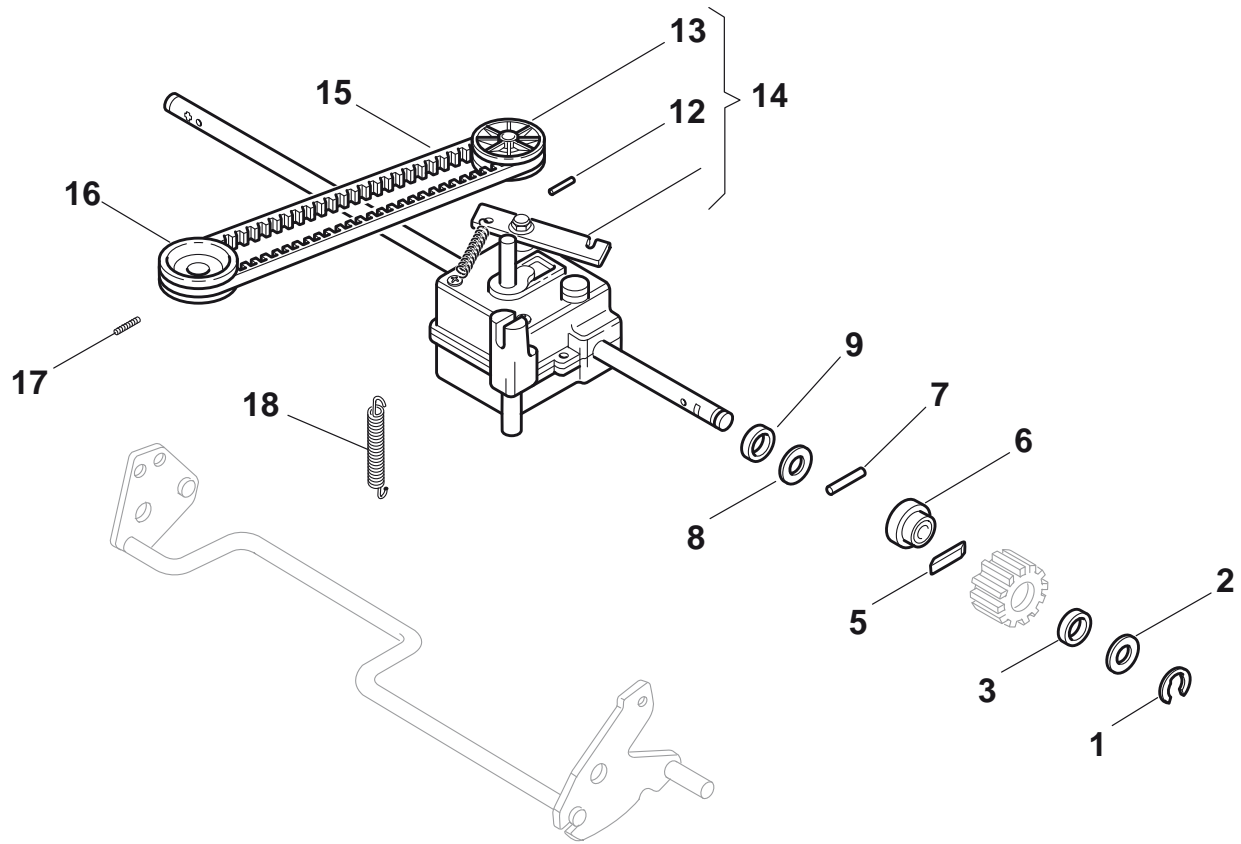
POS	PART. NO	Q.ty	DESCRIPTION	DESCRIZIONE	DESCRIPTION	BESCHREIBUNG	REMARKS
1	322109533/0	1	Battery Box	Contenitore Batteria	Conteneur De Batterie	Batterie Behalter	
2	112523040/0	1	Washer	Rosetta	Rondelle	Scheibe	
3	112728691/0	1	Screw	Vite	Vis	Schraube	
4	118120052/0	1	Battery	Batteria	Batterie	Batterie	
5	118204120/0	1	Battery Charger	Carica Batteria	Chargeur De Batterie	Ladgerät	UE plug
5	118204121/0	1	Battery Charger	Carica Batteria	Chargeur De Batterie	Ladgerät	Uk Plug
6	118204195/0	1	Cable, Start	Cavo Avviamento	Cable Démarrage	Kabel, Start	
7	322722805/1	1	L Protection	Protezione Sx	Protection G	Linke Schutz	
8	112728300/0	1	Screw	Vite	Vis	Schraube	
9	118450050/0	1	Switch	Interruttore	Interrupteur	Schalter	
10	322722804/1	1	R Protection	Protezione Dx	Protection D	Rechte Schutz	
11	118210016/1	1	Starting Key	Chiave Avviamento	Clef A Demarrage	Schlüssel Für Start	



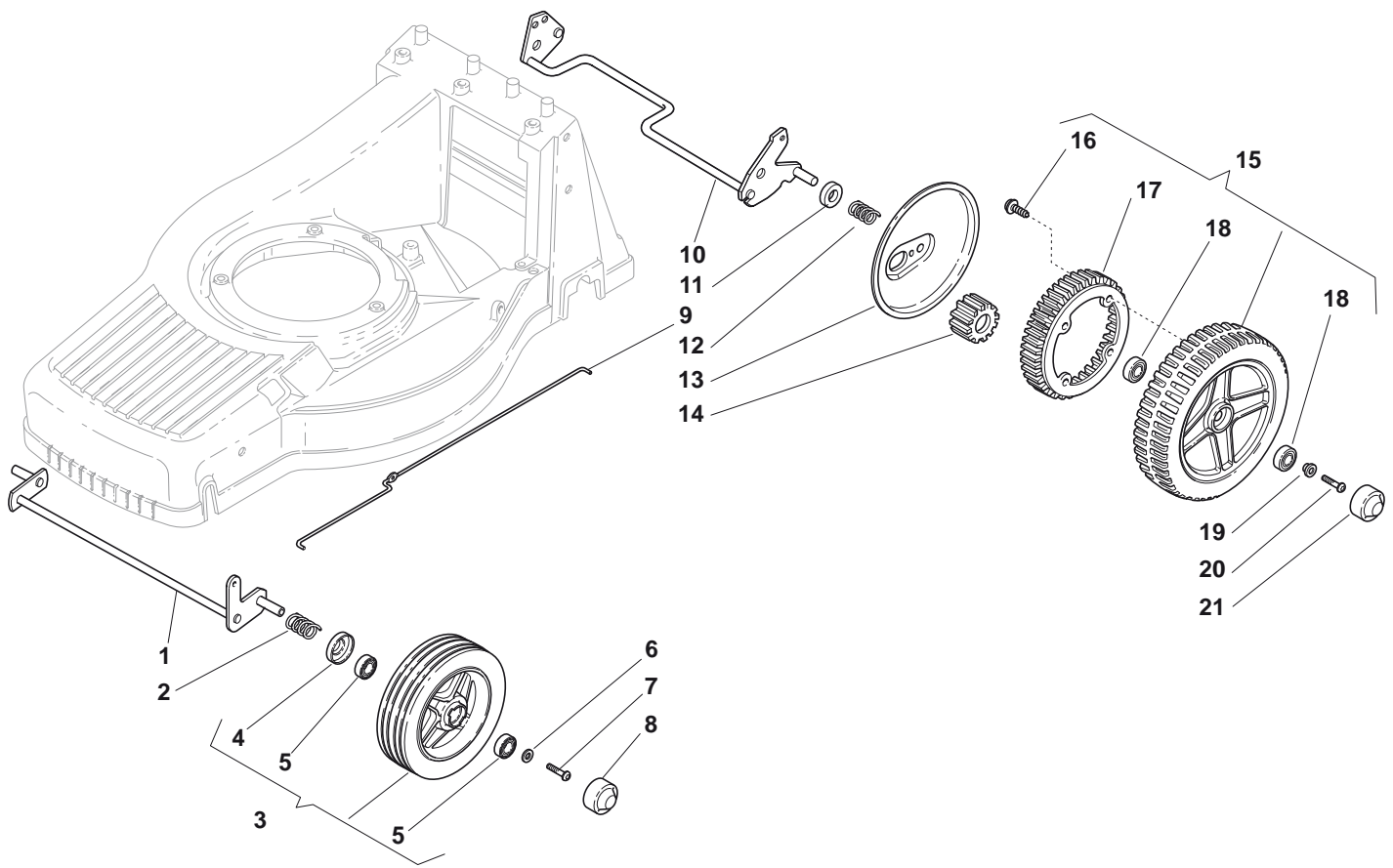
POS	PART. NO	Q.ty	DESCRIPTION	DESCRIZIONE	DESCRIPTION	BESCHREIBUNG	REMARKS
1	112291000/0	1	Nut	Dado	Ecrou	Mutter	
2	112581500/0	1	Grower	Grower	Grower	Federring	
3	122171005/0	1	Spacer	Distanziale	Entretoise	Distanzring	
4	112521360/0	1	Washer	Rosetta	Rondelle	Scheibe	
5	112508100/0	1	Spring Washer	Rosetta Elastica	Rondelle Elastique	Elastische Scheibe	
6	381007220/0	1	Lever, Throttle	Leva, Acceleratore	Levier, Accelérateur	Hebel, Beshleuniger	B&S 450-500 / GGP 150cc
6	381007279/1	1	Lever, Throttle	Leva, Acceleratore	Levier, Accelérateur	Hebel, Beshleuniger	B&S-GGP- Honda
7	481007080/0	1	Throttle Cable	Cavo Acceleratore	Cable, Accelérateur	Gashebel Kabel	
8	112815000/0	1	Screw	Vite	Vis	Schraube	
9	114356702/0	1	Label	Etichetta	Etiquette	Etikette	GGP
9	114356702/0	1	Label	Etichetta	Etiquette	Etikette	Honda
9	114356703/0	1	Label	Etichetta	Etiquette	Etikette	B&S
9	114356905/0	1	Label	Etichetta	Etiquette	Etikette	DOV
9	114364264/0	1	Label	Etichetta	Etiquette	Etikette	AVS



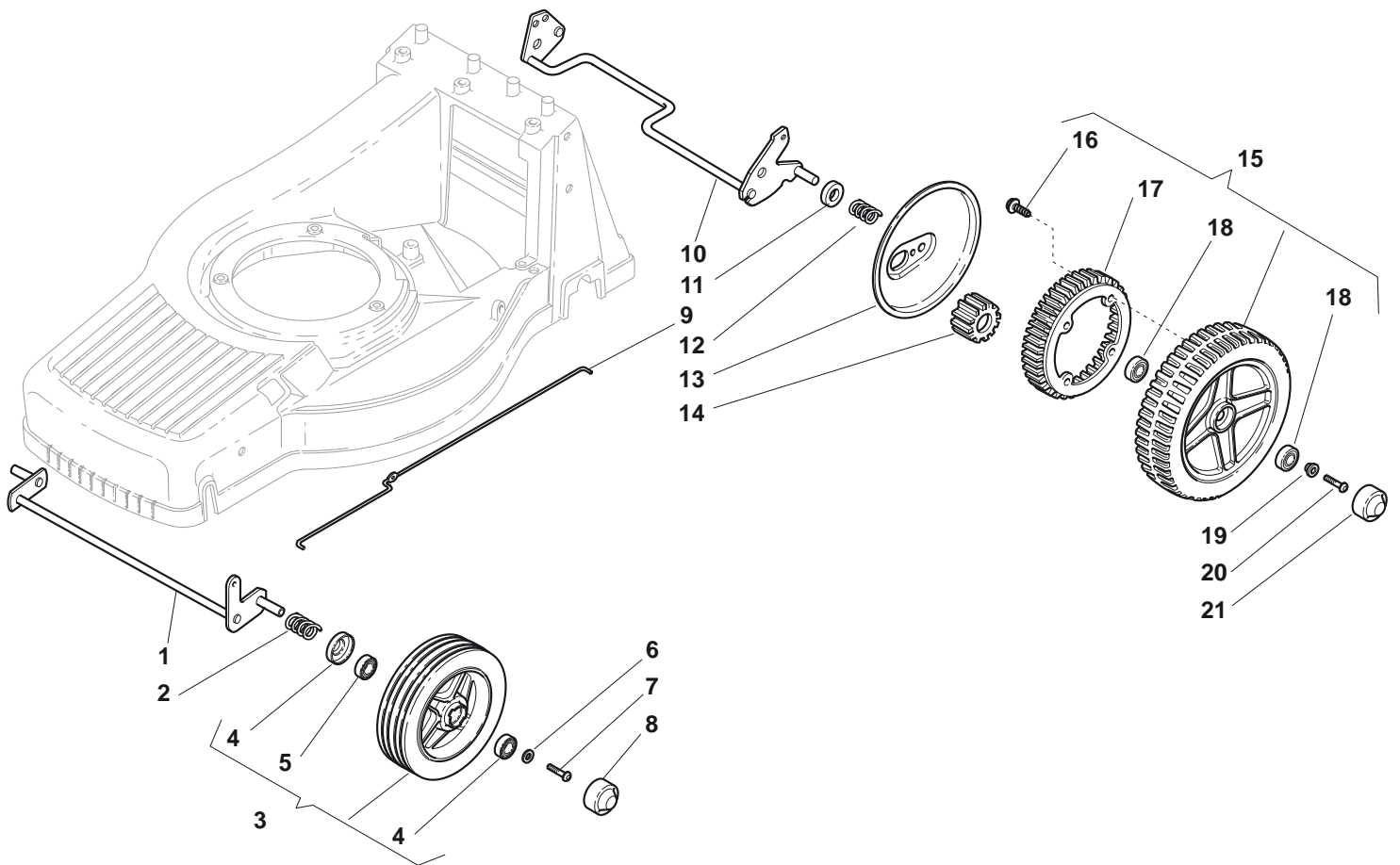
POS	PART. NO	Q.ty	DESCRIPTION	DESCRIZIONE	DESCRIPTION	BESCHREIBUNG	REMARKS
1	181007126/0	1	Throttle Cable	Cavo Acceleratore	Cable, Accelérateur	Gashebel Kabel	Honda
1	181007127/1	1	Throttle Cable	Cavo Acceleratore	Cable, Accelérateur	Gashebel Kabel	B&S Capro-GGP
1	181007128/0	1	Throttle Cable	Cavo Acceleratore	Cable, Accelérateur	Gashebel Kabel	B&S Deluxe-GGP
2	112523040/0	1	Washer	Rosetta	Rondelle	Scheibe	
3	112727787/0	1	Screw	Vite	Vis	Schraube	



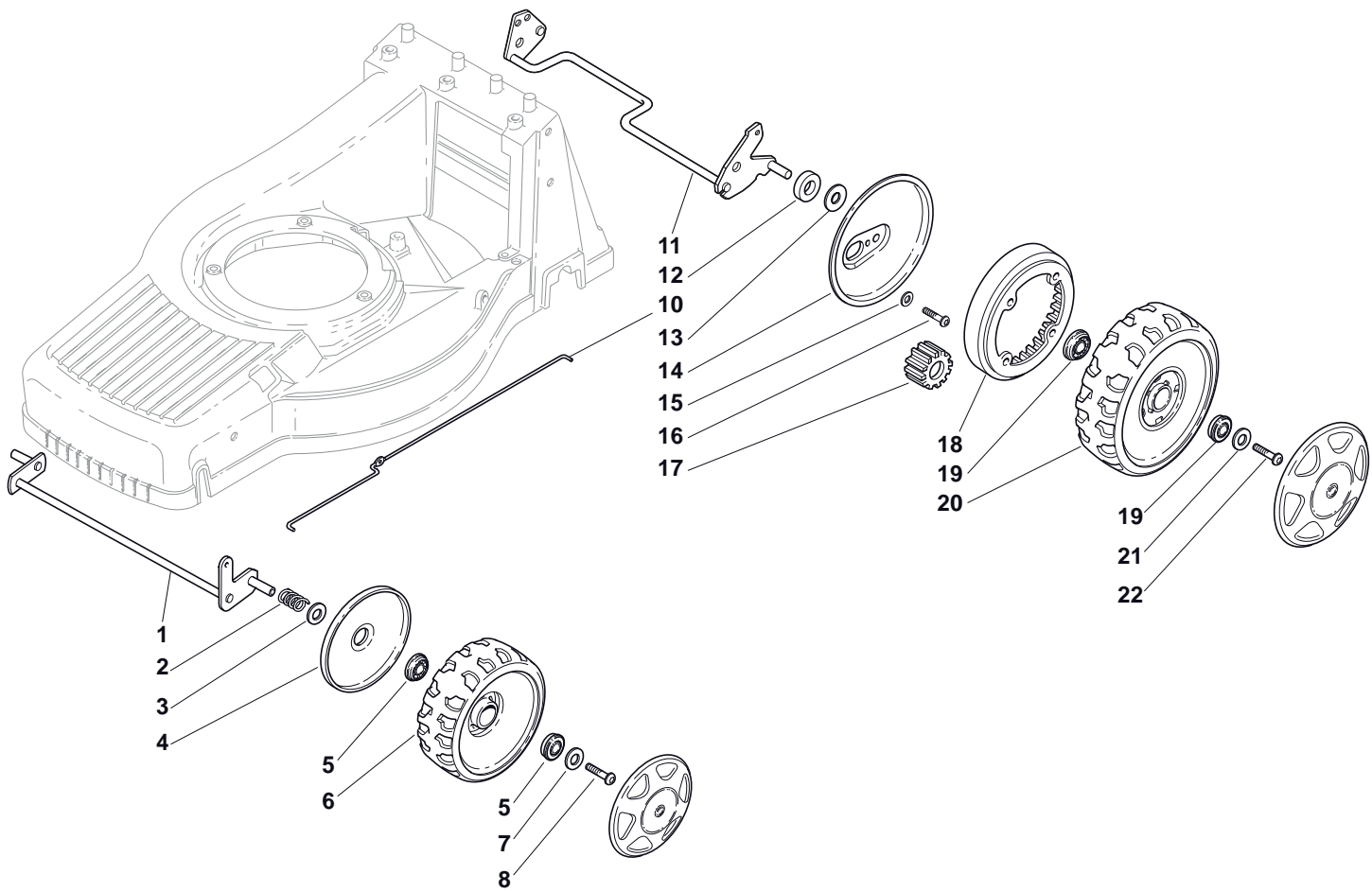
POS	PART. NO	Q.ty	DESCRIPTION	DESCRIZIONE	DESCRIPTION	BESCHREIBUNG	REMARKS
1	112000957/0	2	Snap Ring	Anello Elastico	Anneau Ressort	Sprengring	
2	112520032/0	2	Washer	Rosetta	Rondelle	Scheibe	
3	322160520/0	2	Dust Cover	Disco Parapolvere	Protege-Poussiere	Staubschutscheibe	
5	122076645/0	2	Key	Chiave	Clef	Schlüssel	
6	322170630/0	2	Spacer	Distanziale	Entretoise	Distanzring	
7	122753002/0	2	Pin	Perno	Pivot	Bolzen	
8	112520032/0	2	Washer	Rosetta	Rondelle	Scheibe	
9	119035152/0	2	Or Ring	Anello Or	Bague Or	Ring Or	
12	112620310/0	1	Pin	Perno	Pivot	Bolzen	
13	122601913/0	1	Pulley	Puleggia	Poulie	Riemenscheibe	
14	181003085/0	1	Gear Box	Gruppo Trazione	Groupe Traction	Antrieb	
15	135063175/0	1	Belt	Cinghia	Courroire	Riemen	
16	122601918/0	1	Pulley, Crankshaft Ø 22.2	Puleggia, Albero Motore Ø 22.2	Poulie, Arbre Moteur Ø 22.2	Riemenscheibe, Motorwelle Ø 22.2	B&S - GGP
16	122601921/0	1	Pulley, Crankshaft Ø 25	Puleggia, Albero Motore Ø 25	Poulie, Arbre Moteur Ø 25	Riemenscheibe, Motorwelle Ø 25	Honda
17	112714312/0	1	Dowel	Grano	Goupille	Stift	
18	122450434/0	1	Spring	Molla	Ressort	Feder	



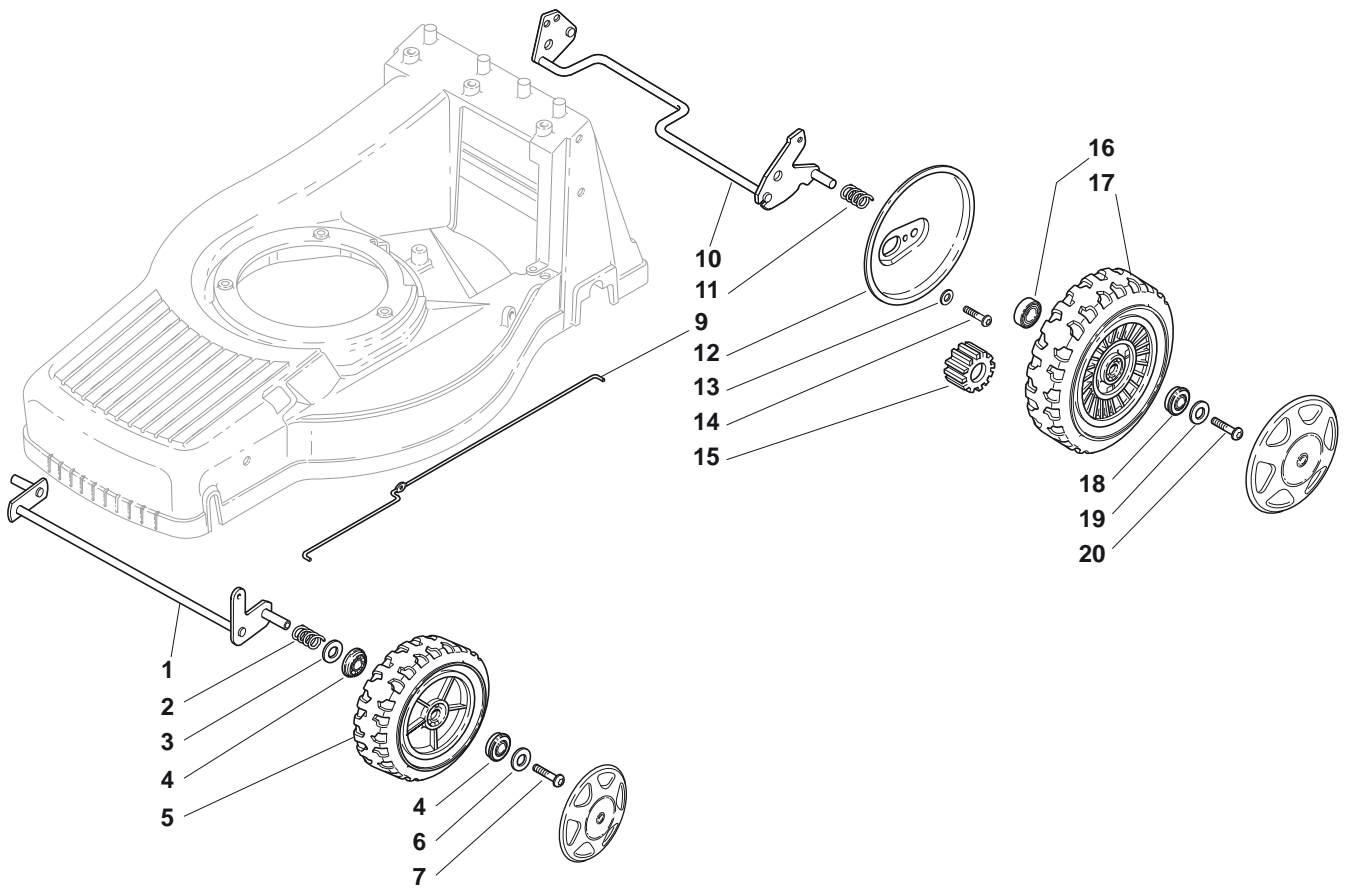
POS	PART. NO	Q.ty	DESCRIPTION	DESCRIZIONE	DESCRIPTION	BESCHREIBUNG	REMARKS
1	381002821/0	1	Axle, Front Wheels	Asse Ruote Anteriori	Axe Roues Avant	Achse, Vorderrad	
2	122430210/0	2	Spring	Molla	Ressort	Feder	
3	381007363/0	2	Wheel Ø 175	Ruota Ø 175	Roue Ø 175	Rad Ø 175	
4	322160522/0	2	Dust Cover	Disco Parapolvere	Protege-Poussiere	Staubschuttscheibe	
5	119216039/0	4	Bearing	Cuscinetto	Coussinet	Lager	
6	112521460/0	2	Washer	Rosetta	Rondelle	Scheibe	
7	112735662/1	2	Screw	Vite	Vis	Schraube	
8	322110379/0	2	Hub Cap	Coprizzo	Couvre-Moyeu	Radkappe	
9	122033322/0	1	Rod, Height Adjustment Control	Asta Comando Regolazione Altezza	Tige Commande Reglage Hauteur	Stange, Höheverstellung	
10	381002823/0	1	Axle, Rear Wheels	Asse Ruote Posteriore	Axe Roues Arriere	Achse, Hinterrad	
11	122170810/0	2	Spacer	Distanziale	Entretoise	Distanzring	
12	122430215/0	2	Spring	Molla	Ressort	Feder	
13	322600127/0	2	Protection, Wheel	Protezione Ruote	Protection Roue	Schütz, Räder	
14	122570126/0	2	Pinion	Pignone	Pignon	Ritzel	
15	381007367/0	2	Wheel Ø 205	Ruota Ø 205	Roue Ø 205	Rad Ø 205	
15	381007368/0	2	Wheel Ø 215	Ruota Ø 215	Roue Ø 215	Rad Ø 215	
16	112728210/0	8	Screw	Vite	Vis	Schraube	
17	322120108/0	2	Ring Gear	Corona	Couronne	Kranz	
18	119216038/0	4	Bearing	Cuscinetto	Coussinet	Lager	
19	122671655/0	2	Washer	Rosetta	Rondelle	Scheibe	
20	112735592/0	2	Screw	Vite	Vis	Schraube	
21	322110380/0	2	Hub Cap	Coprizzo	Couvre-Moyeu	Radkappe	



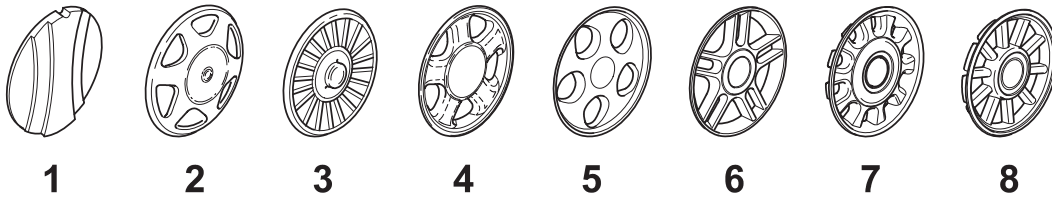
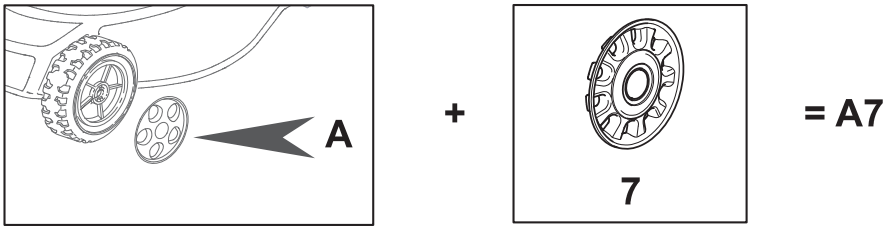
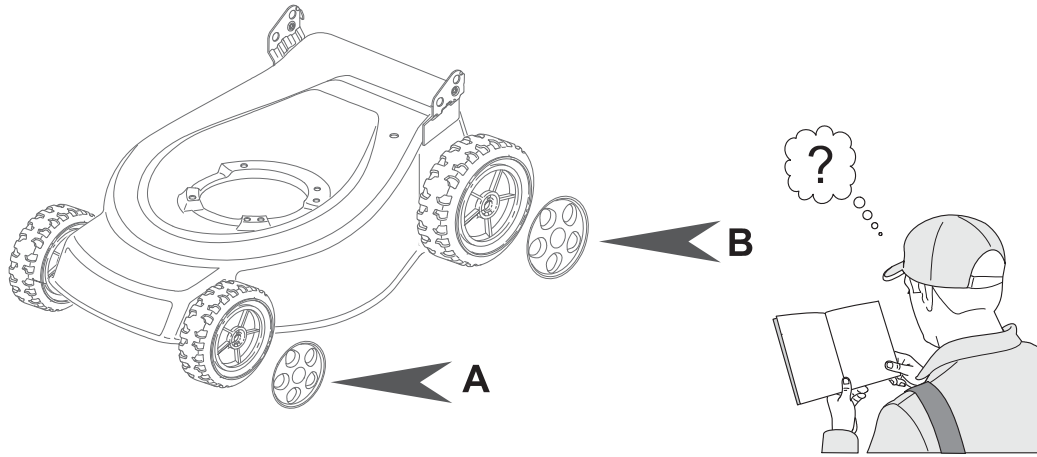
POS	PART. NO	Q.ty	DESCRIPTION	DESCRIZIONE	DESCRIPTION	BESCHREIBUNG	REMARKS
1	381002821/0	1	Axle, Front Wheels	Asse Ruote Anteriori	Axe Roues Avant	Achse, Vorderrad	
2	122430210/0	2	Spring	Molla	Ressort	Feder	
3	381007364/0	2	Wheel Ø 190	Ruota Ø 190	Roue Ø190	Rad Ø 190	
4	322160522/0	2	Dust Cover	Disco Parapolvere	Protege-Poussiere	Staubschuttscheibe	
5	119216039/0	4	Bearing	Cuscinetto	Coussinet	Lager	
6	112521460/0	2	Washer	Rosetta	Rondelle	Scheibe	
7	112735662/1	2	Screw	Vite	Vis	Schraube	
8	322110379/0	2	Hub Cap	Coprizzo	Couvre-Moyeu	Radkappe	
9	122033322/0	1	Rod, Height Adjustment Control	Asta Comando Regolazione Altezza	Tige Commande Reglage Hauteur	Stange, Höheverstellung	
10	381002823/0	1	Axle, Rear Wheels	Asse Ruote Posteriore	Axe Roues Arriere	Achse, Hinterrad	
11	122170810/0	2	Spacer	Distanziale	Entretoise	Distanzring	
12	122430215/0	2	Spring	Molla	Ressort	Feder	
13	322600127/0	2	Protection, Wheel	Protezione Ruote	Protection Roue	Schütz, Räder	
14	122570126/0	2	Pinion	Pignone	Pignon	Ritzel	
15	381007367/0	2	Wheel Ø 205	Ruota Ø 205	Roue Ø 205	Rad Ø 205	
15	381007368/0	2	Wheel Ø 215	Ruota Ø 215	Roue Ø 215	Rad Ø 215	
16	112728210/0	8	Screw	Vite	Vis	Schraube	
17	322120108/0	2	Ring Gear	Corona	Couronne	Kranz	
18	119216038/0	4	Bearing	Cuscinetto	Coussinet	Lager	
19	122671655/0	2	Washer	Rosetta	Rondelle	Scheibe	
20	112735592/0	2	Screw	Vite	Vis	Schraube	
21	322110380/0	2	Hub Cap	Coprizzo	Couvre-Moyeu	Radkappe	



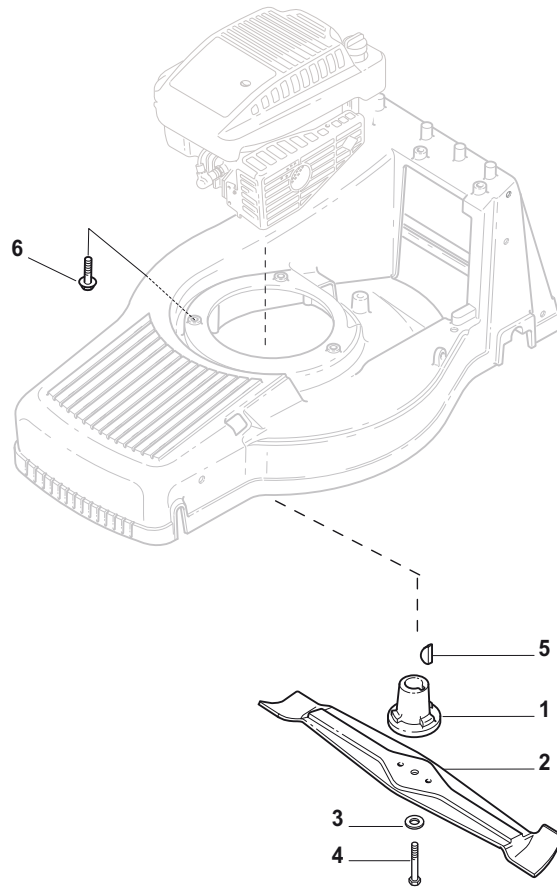
POS	PART. NO	Q.ty	DESCRIPTION	DESCRIZIONE	DESCRIPTION	BESCHREIBUNG	REMARKS
1	381002843/0	1	Axle, Front Wheels	Asse Ruote Anteriori	Axe Roues Avant	Achse, Vorderrad	
2	122430215/0	2	Spring	Molla	Ressort	Feder	
3	112521370/0	2	Washer	Rosetta	Rondelle	Scheibe	
4	322600095/0	2	Protection, Wheel	Protezione Ruote	Protection Roue	Schütz, Räder	
5	122122200/0	4	Bearing	Cuscinetto	Coussinet	Lager	
6	322686091/1	2	Wheel Ø 165	Ruota Ø 165	Roue Ø 165	Rad Ø 165	
7	112521460/0	2	Washer	Rosetta	Rondelle	Scheibe	
8	112735662/0	2	Screw	Vite	Vis	Schraube	
10	122033321/0	1	Rod, Height Adjustment Control	Asta Comando Regolazione Altezza	Tige Commande Reglage Hauteur	Stange, Höhenverstellung	
11	381002841/0	1	Axle, Rear Wheels	Asse Ruote Posteriore	Axe Roues Arriere	Achse, Hinterrad	
12	122170815/0	2	Spacer	Distanziale	Entretoise	Distanzring	
13	122675100/0	2	Washer	Rosetta	Rondelle	Scheibe	
14	322600121/0	2	Protection, Wheel	Protezione Ruote	Protection Roue	Schütz, Räder	
15	112521460/0	2	Washer	Rosetta	Rondelle	Scheibe	
16	112735662/0	2	Screw	Vite	Vis	Schraube	
17	122570125/0	2	Pinion	Pignone	Pignon	Ritzel	
18	322120109/0	2	Ring Gear	Corona	Couronne	Kranz	
19	122122200/0	4	Bearing	Cuscinetto	Coussinet	Lager	
20	322686093/0	2	Wheel Ø 190	Ruota Ø 190	Roue Ø190	Rad Ø 190	
21	112521460/0	2	Washer	Rosetta	Rondelle	Scheibe	
22	112735662/0	2	Screw	Vite	Vis	Schraube	



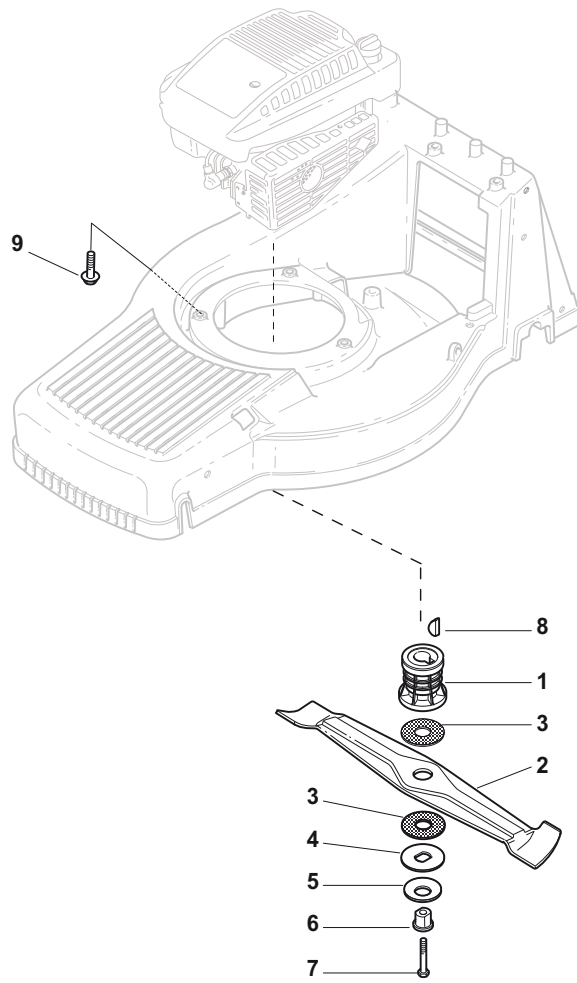
POS	PART. NO	Q.ty	DESCRIPTION	DESCRIZIONE	DESCRIPTION	BESCHREIBUNG	REMARKS
1	381002845/0	1	Axle, Front Wheels	Asse Ruote Anteriori	Axe Roues Avant	Achse, Vorderrad	
2	122430210/0	2	Spring	Molla	Ressort	Feder	
3	112521370/0	2	Washer	Rosetta	Rondelle	Scheibe	
4	122122200/0	4	Bearing	Cuscinetto	Coussinet	Lager	
5	381007351/0	2	Wheel Ø 170	Ruota Ø 170	Roue Ø 170	Rad Ø 170	
6	112521460/0	2	Washer	Rosetta	Rondelle	Scheibe	
7	112735662/1	2	Screw	Vite	Vis	Schraube	
9	122033322/0	1	Rod, Height Adjustment Control	Asta Comando Regolazione Altezza	Tige Commande Reglage Hauteur	Stange, Höheverstellung	
10	381002823/0	1	Axle, Rear Wheels	Asse Ruote Posteriore	Axe Roues Arriere	Achse, Hinterrad	
11	122430215/0	2	Spring	Molla	Ressort	Feder	
12	322600121/0	2	Protection, Wheel	Protezione Ruote	Protection Roue	Schütz, Räder	
13	112521460/0	2	Washer	Rosetta	Rondelle	Scheibe	
14	112735662/1	2	Screw	Vite	Vis	Schraube	
15	122570125/0	2	Pinion	Pignone	Pignon	Ritzel	
17	381007361/0	2	Wheel Ø 190	Ruota Ø 190	Roue Ø190	Rad Ø 190	
17	381007362/0	2	Wheel Ø 215	Ruota Ø 215	Roue Ø 215	Rad Ø 215	
18	122122201/0	4	Bearing	Cuscinetto	Coussinet	Lager	
19	112521460/0	2	Washer	Rosetta	Rondelle	Scheibe	
20	112735662/1	2	Screw	Vite	Vis	Schraube	



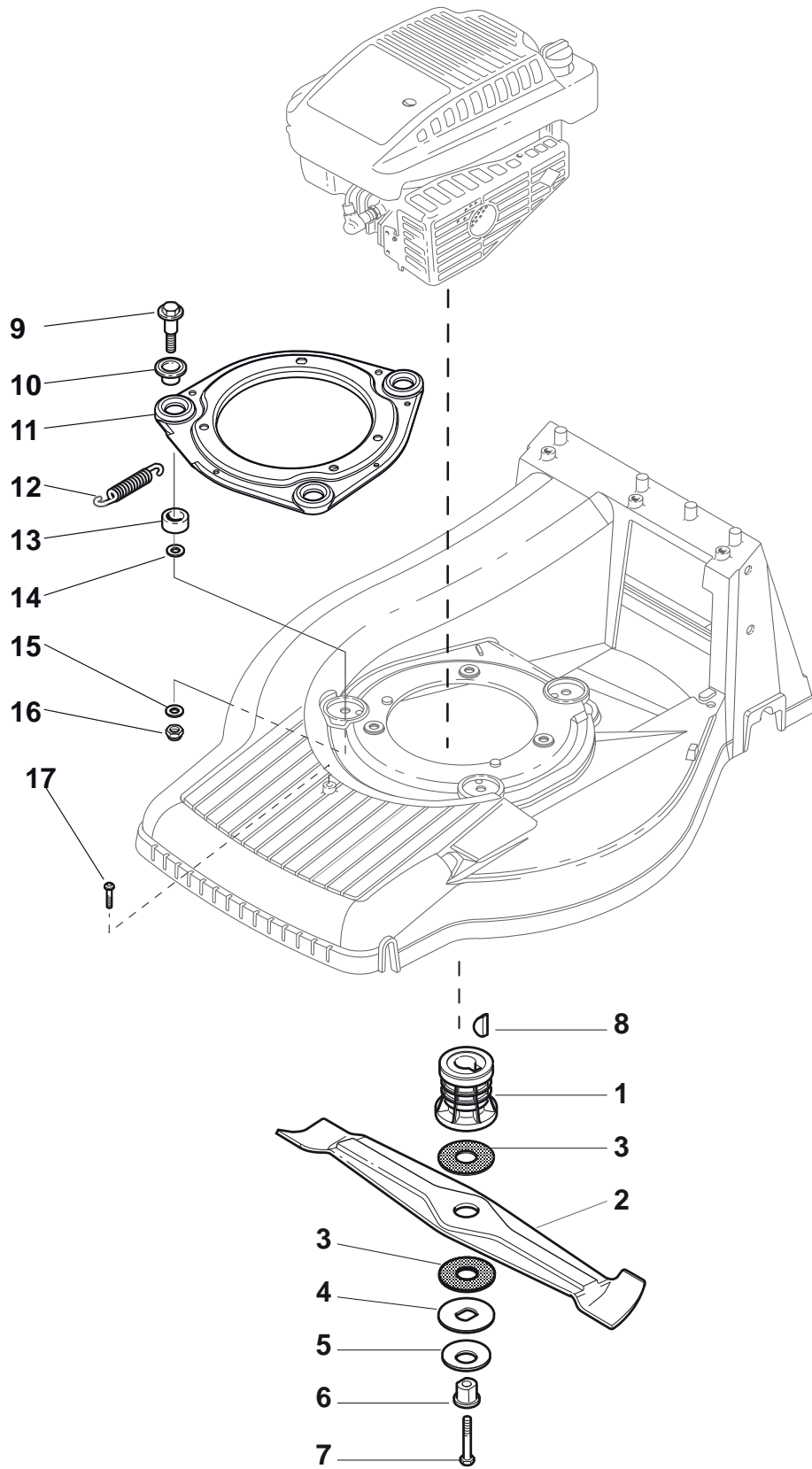
POS	PART. NO	Q.ty	DESCRIPTION	DESCRIZIONE	DESCRIPTION	BESCHREIBUNG	REMARKS
A1	322110252/1	2	Hub Cap White	Coprimozzo Bianco	Couvre-Moyeu Blanc	Radkappe Weiß	
B1	322110251/0	2	Hub Cap White	Coprimozzo Bianco	Couvre-Moyeu Blanc	Radkappe Weiß	
A1	322110254/0	2	Hub Cap Yellow	Coprimozzo Giallo	Couvre-Moyeu Jaune	Radkappe Gelb	
B1	322110253/0	2	Hub Cap Yellow	Coprimozzo Giallo	Couvre-Moyeu Jaune	Radkappe Gelb	
A1	122110255/1	2	Hub Cap Red	Coprimozzo Rosso	Couvre-Moyeu Rouge	Radkappe Rot	
B1	322110255/1	2	Hub Cap Red	Coprimozzo Rosso	Couvre-Moyeu Rouge	Radkappe Rot	
B2	322110313/0	2	Hub Cap White	Coprimozzo Bianco	Couvre-Moyeu Blanc	Radkappe Weiß	
B2	322110314/0	2	Hub Cap Grey	Coprimozzo Grigio	Couvre-Moyeu Gris	Radkappe Grau	
A2	322110344/0	2	Hub Cap White	Coprimozzo Bianco	Couvre-Moyeu Blanc	Radkappe Weiß	
A2	322110395/0	2	Hub Cap Grey	Coprimozzo Grigio	Couvre-Moyeu Gris	Radkappe Grau	
A3	322110347/0	2	Hub Cap Grey	Coprimozzo Grigio	Couvre-Moyeu Gris	Radkappe Grau	
B3	322110348/0	2	Hub Cap Grey	Coprimozzo Grigio	Couvre-Moyeu Gris	Radkappe Grau	
A4	322110381/0	2	Hub Cap Grey	Coprimozzo Grigio	Couvre-Moyeu Gris	Radkappe Grau	
B4	322110382/0	2	Hub Cap Grey	Coprimozzo Grigio	Couvre-Moyeu Gris	Radkappe Grau	
A5	322110416/0	2	Hub Cap Grey	Coprimozzo Grigio	Couvre-Moyeu Gris	Radkappe Grau	
B5	322110417/0	2	Hub Cap Grey	Coprimozzo Grigio	Couvre-Moyeu Gris	Radkappe Grau	
A6	322110491/0	2	Hub Cap Grey	Coprimozzo Grigio	Couvre-Moyeu Gris	Radkappe Grau	
B6	322110492/0	2	Hub Cap Grey	Coprimozzo Grigio	Couvre-Moyeu Gris	Radkappe Grau	
A7	322110493/0	2	Hub Cap Grey	Coprimozzo Grigio	Couvre-Moyeu Gris	Radkappe Grau	
B7	322110494/0	2	Hub Cap Grey	Coprimozzo Grigio	Couvre-Moyeu Gris	Radkappe Grau	
A8	322110495/0	2	Hub Cap Grey	Coprimozzo Grigio	Couvre-Moyeu Gris	Radkappe Grau	
B8	322110496/0	2	Hub Cap Grey	Coprimozzo Grigio	Couvre-Moyeu Gris	Radkappe Grau	



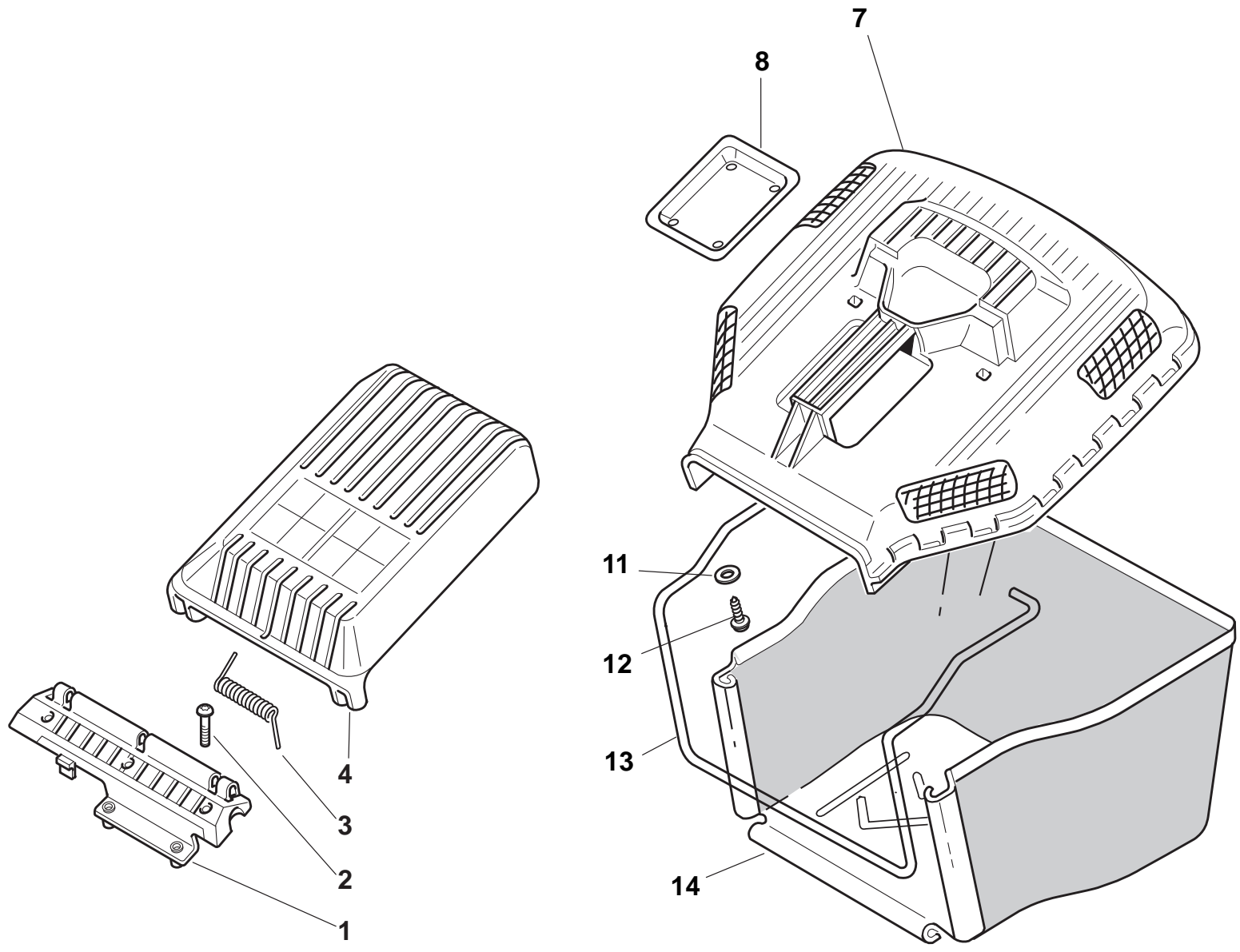
POS	PART. NO	Q.ty	DESCRIPTION	DESCRIZIONE	DESCRIPTION	BESCHREIBUNG	REMARKS
1	122465618/0	1	Hub, Crankshaft Ø 22.2	Mozzo, Albero Motore Ø 22.2	Moyeu, Arbre Moteur Ø 22.2	Nabe, Motorwelle Ø 22.2	B&S-GGP
1	122465630/0	1	Hub, Crankshaft Ø 25	Mozzo, Albero Motore Ø 25	Moyeu, Arbre Moteur Ø 25	Nabe, Motorwelle Ø 25	Honda
2	181004143/0	1	Blade Winged	Coltello Alettato	Lame Ailettée	Messer Flügel	
3	112530140/0	1	Washer	Rosetta	Rondelle	Scheibe	
4	112735698/0	1	Screw	Vite	Vis	Schraube	
5	112139100/0	1	Feather, Crankshaft Ø 22.2	Linguetta, Albero Motore Ø 22.2	Clavette, Arbre Moteur Ø 22.2	Keil, Motorwelle Ø 22.2	B&S-GGP
5	112139150/0	1	Feather, Crankshaft Ø 25	Linguetta, Albero Motore Ø 25	Clavette, Arbre Moteur Ø 25	Keil, Motorwelle Ø 25	Honda
6	112735108/1	3	Screw	Vite	Vis	Schraube	



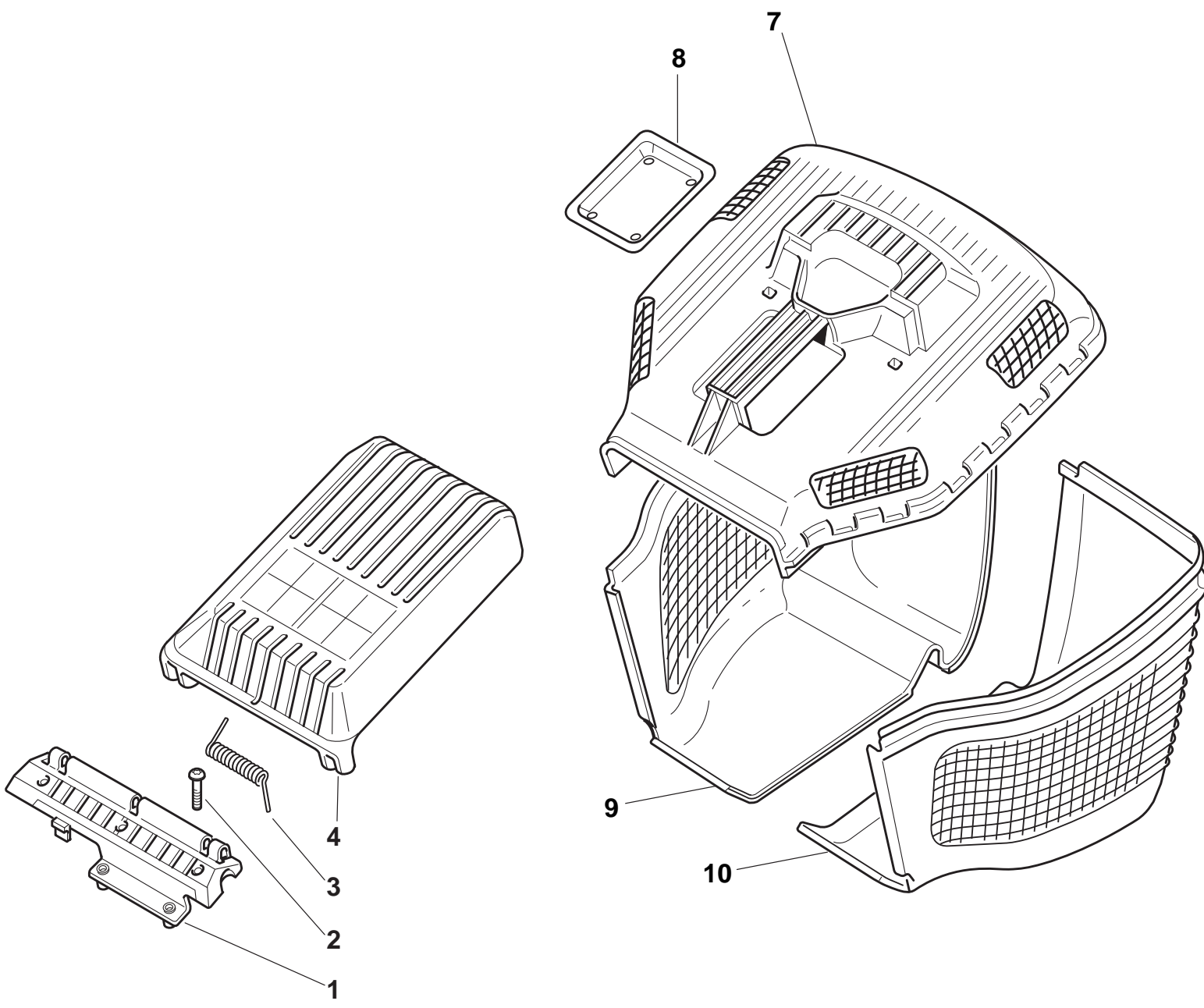
POS	PART. NO	Q.ty	DESCRIPTION	DESCRIZIONE	DESCRIPTION	BESCHREIBUNG	REMARKS
1	122465619/0	1	Hub With Pulley, Crankshaft Ø 22.2	Mozzo Con Puleggia, Albero Motore Ø 22.2	Moyeu Avec Poulie, Arbre Moteur Ø 22.2	Nabe Mit Scheibe, Motorwelle Ø 22.2	B&S-GGP
1	122465631/0	1	Hub With Pulley, Crankshaft Ø 25	Mozzo Con Puleggia, Albero Motore Ø 25	Moyeu Avec Poulie, Arbre Moteur Ø 25	Nabe Mit Scheibe, Motorwelle Ø 25	Honda
1	122465636/0	1	Hub With Pulley, Crankshaft Ø 22.2	Mozzo Con Puleggia, Albero Motore Ø 22.2	Moyeu Avec Poulie, Arbre Moteur Ø 22.2	Nabe Mit Scheibe, Motorwelle Ø 22.2	B&S-GGP AVS
1	122465637/0	1	Hub With Pulley, Crankshaft Ø 25	Mozzo Con Puleggia, Albero Motore Ø 25	Moyeu Avec Poulie, Arbre Moteur Ø 25	Nabe Mit Scheibe, Motorwelle Ø 25	Honda AVS
2	181004135/0	1	Blade Winged	Coltello Alettato	Lame Ailette	Messer Flügel	
3	322672111/0	2	Clutch Washer	Rondella Frizione	Rondelle Friction	Kupplungscheibe	
4	322672105/0	1	Washer	Rosetta	Rondelle	Scheibe	
5	112508120/0	1	Cupped Spring	Molla A Tazza	Ressort	Teller Feder	
6	122041940/0	1	Clutch Bush	Bussola Frizione	Douille Friction	Kupplungsscheibe	
7	112736825/0	1	Screw	Vite	Vis	Schraube	AVS
7	112736850/0	1	Screw	Vite	Vis	Schraube	
8	112139100/0	1	Feather, Crankshaft Ø 22.2	Linguetta, Albero Motore Ø 22.2	Clavette, Arbre Moteur Ø 22.2	Keil, Motorwelle Ø 22.2	B&S-GGP
8	112139150/0	1	Feather, Crankshaft Ø 25	Linguetta, Albero Motore Ø 25	Clavette, Arbre Moteur Ø 25	Keil, Motorwelle Ø 25	Honda
9	112735108/1	3	Screw	Vite	Vis	Schraube	



POS	PART. NO	Q.ty	DESCRIPTION	DESCRIZIONE	DESCRIPTION	BESCHREIBUNG	REMARKS
1	122465619/0	1	Hub With Pulley, Crankshaft Ø 22.2	Mozzo Con Puleggia, Albero Motore Ø 22.2	Moyeu Avec Poulie, Arbre Moteur Ø 22.2	Nabe Mit Scheibe, Motorwelle Ø 22.2	B&S-GGP
1	122465631/0	1	Hub With Pulley, Crankshaft Ø 25	Mozzo Con Puleggia, Albero Motore Ø 25	Moyeu Avec Poulie, Arbre Moteur Ø 25	Nabe Mit Scheibe, Motorwelle Ø 25	Honda
1	122465636/0	1	Hub With Pulley, Crankshaft Ø 22.2	Mozzo Con Puleggia, Albero Motore Ø 22.2	Moyeu Avec Poulie, Arbre Moteur Ø 22.2	Nabe Mit Scheibe, Motorwelle Ø 22.2	B&S-GGP AVS
1	122465637/0	1	Hub With Pulley, Crankshaft Ø 25	Mozzo Con Puleggia, Albero Motore Ø 25	Moyeu Avec Poulie, Arbre Moteur Ø 25	Nabe Mit Scheibe, Motorwelle Ø 25	Honda AVS
2	181004135/0	1	Blade Winged	Coltello Alettato	Lame Ailette	Messer Flügel	
3	322672111/0	2	Clutch Washer	Rondella Frizione	Rondelle Friction	Kupplungscheibe	
4	322672105/0	1	Washer	Rosetta	Rondelle	Scheibe	
5	112508120/0	1	Cupped Spring	Molla A Tazza	Ressort	Teller Feder	
6	122041940/0	1	Clutch Bush	Bussola Frizione	Douille Friction	Kupplungsscheibe	
7	112736825/0	1	Screw	Vite	Vis	Schraube	AVS
7	112736850/0	1	Screw	Vite	Vis	Schraube	
8	112139100/0	1	Feather, Crankshaft Ø 22.2	Linguetta, Albero Motore Ø 22.2	Clavette, Arbre Moteur Ø 22.2	Keil, Motorwelle Ø 22.2	B&S-GGP
8	112139150/0	1	Feather, Crankshaft Ø 25	Linguetta, Albero Motore Ø 25	Clavette, Arbre Moteur Ø 25	Keil, Motorwelle Ø 25	Honda
9	122524329/0	3	Pin	Perno	Pivot	Bolzen	
10	322672201/0	3	Washer	Rosetta	Rondelle	Scheibe	
11	322207225/0	1	Flange, Black	Flangia, Nero	Bride, Noir	Flansch, Schwarz	
12	122450445/0	1	Spring	Molla	Ressort	Feder	
13	322250012/0	3	Grommet	Gommino	Caoutchouc	Gummi	
14	122671651/0	3	Washer	Rosetta	Rondelle	Scheibe	
15	112523060/0	3	Washer	Rosetta	Rondelle	Scheibe	
16	112155000/0	3	Nut	Dado	Ecrou	Mutter	
17	112735661/0	1	Screw	Vite	Vis	Schraube	



POS	PART. NO	Q.ty	DESCRIPTION	DESCRIZIONE	DESCRIPTION	BESCHREIBUNG	REMARKS
1	322785157/0	1	Support, Yellow	Supporto, Giallo	Support, Jaune	Halter, Gelb	
1	322785178/0	1	Support, Black	Supporto, Nero	Support, Noir	Halter, Schwarz	
1	322785179/0	1	Support, Black	Supporto, Nero	Support, Noir	Halter, Schwarz	
2	112735664/0	3	Screw	Vite	Vis	Schraube	
3	122450430/0	1	Spring	Molla	Ressort	Feder	
3	122450443/0	1	Spring	Molla	Ressort	Feder	
4	322600068/2	1	Stone-Guard, Black	Parasassi, Nero	Pare-Pierres, Noir	Prallblech, Schwarz	
4	322600069/2	1	Stone-Guard, Yellow	Parasassi, Giallo	Pare-Pierres, Jaune	Prallblech, Gelb	
4	322600079/0	1	Stone-Guard, Black	Parasassi, Nero	Pare-Pierres, Noir	Prallblech, Schwarz	
4	322600080/0	1	Stone-Guard, Yellow	Parasassi, Giallo	Pare-Pierres, Jaune	Prallblech, Gelb	
7	322486095/0	1	Grass-Box, Upper Part	Sacco, Parte Sup	Sac, Partie Superieure	Korb, Oberteil	
7	322486115/0	1	Grassbox Upper Part	Parte Sup.Sacco	Sac, Partie Superieure	Korb Oberteil	
8	322486098/0	1	Plate	Piastrina	Plaquette	Plättchen	
11	112521460/0	2	Washer	Rosetta	Rondelle	Scheibe	
12	112728300/0	2	Screw	Vite	Vis	Schraube	
13	122608518/0	1	Stiffening Lower	Rinforzo Inf	Réinforcement Inf	Verstärkung Untere	
13	122608528/0	1	Stiffening Lower	Rinforzo Inf	Réinforcement Inf	Verstärkung Untere	
14	181002235/0	1	Box, Fabric	Sacco, Tela	Sac, Toile	Sack, Tuck	



POS	PART. NO	Q.ty	DESCRIPTION	DESCRIZIONE	DESCRIPTION	BESCHREIBUNG	REMARKS
1	322785157/0	1	Support, Yellow	Supporto, Giallo	Support, Jaune	Halter, Gelb	
1	322785178/0	1	Support, Black	Supporto, Nero	Support, Noir	Halter, Schwarz	
1	322785179/0	1	Support, Black	Supporto, Nero	Support, Noir	Halter, Schwarz	
2	112735664/0	3	Screw	Vite	Vis	Schraube	
3	122450430/0	1	Spring	Molla	Ressort	Feder	
3	122450443/0	1	Spring	Molla	Ressort	Feder	
4	322600068/2	1	Stone-Guard	Parasassi	Pare-Pierres	Prallblech	
4	322600069/2	1	Stone-Guard	Parasassi	Pare-Pierres	Prallblech	
4	322600079/0	1	Stone-Guard	Parasassi	Pare-Pierres	Prallblech	
4	322600080/0	1	Stone-Guard, Yellow	Parasassi, Giallo	Pare-Pierres, Jaune	Prallblech, Gelb	
7	322486095/0	1	Grass-Box, Upper Part	Sacco, Parte Sup	Sac, Partie Superieure	Korb, Oberteil	
7	322486115/0	1	Grassbox Upper Part	Parte Sup.Sacco	Sac, Partie Superieure	Korb Oberteil	
8	322486098/0	1	Plate	Piastrina	Plaquette	Plättchen	
9	322486099/0	1	Grass-Box, R Lower	Sacco, Parte Inf Dx	Sac, Partie Inferieure D	Korb, R Unterteil	
9	322486120/0	1	Grassbox, Right Lower Par	Parte Infer. Sacco Dx	Sac, Partie Inferieure (D)	Korb Unterteil (R)	
10	322486100/0	1	Grass-Box, L Lower	Sacco, Parte Inf Sx	Sac, Partie Inferieure G	Korb, L Unterteil	