

# Genuine Spare Parts

## TU 554 TR - TU 554 TR/E

Catalogo delle parti di ricambio  
Spare parts catalogue  
Catalogue des pieces de rechange  
Ersatzteilkatalog

# 2011

- Use GLOBAL GARDEN PRODUCT Genuine Spare Parts specified in the parts list for repair and/or replacement.
- The contents described in the parts list may change due to improvement.
- The drawings of the spare parts are only indicative and might not represent the part in question exactly.
- The indications "right" - "left" - "front" - "rear" refer to the position of the operator when using the machine.
- When placing orders of parts for repair and/or replacement, make sure that the illustrated parts list is the one applying to the machine's year of manufacture, as shown on the identification plate attached to the machine.

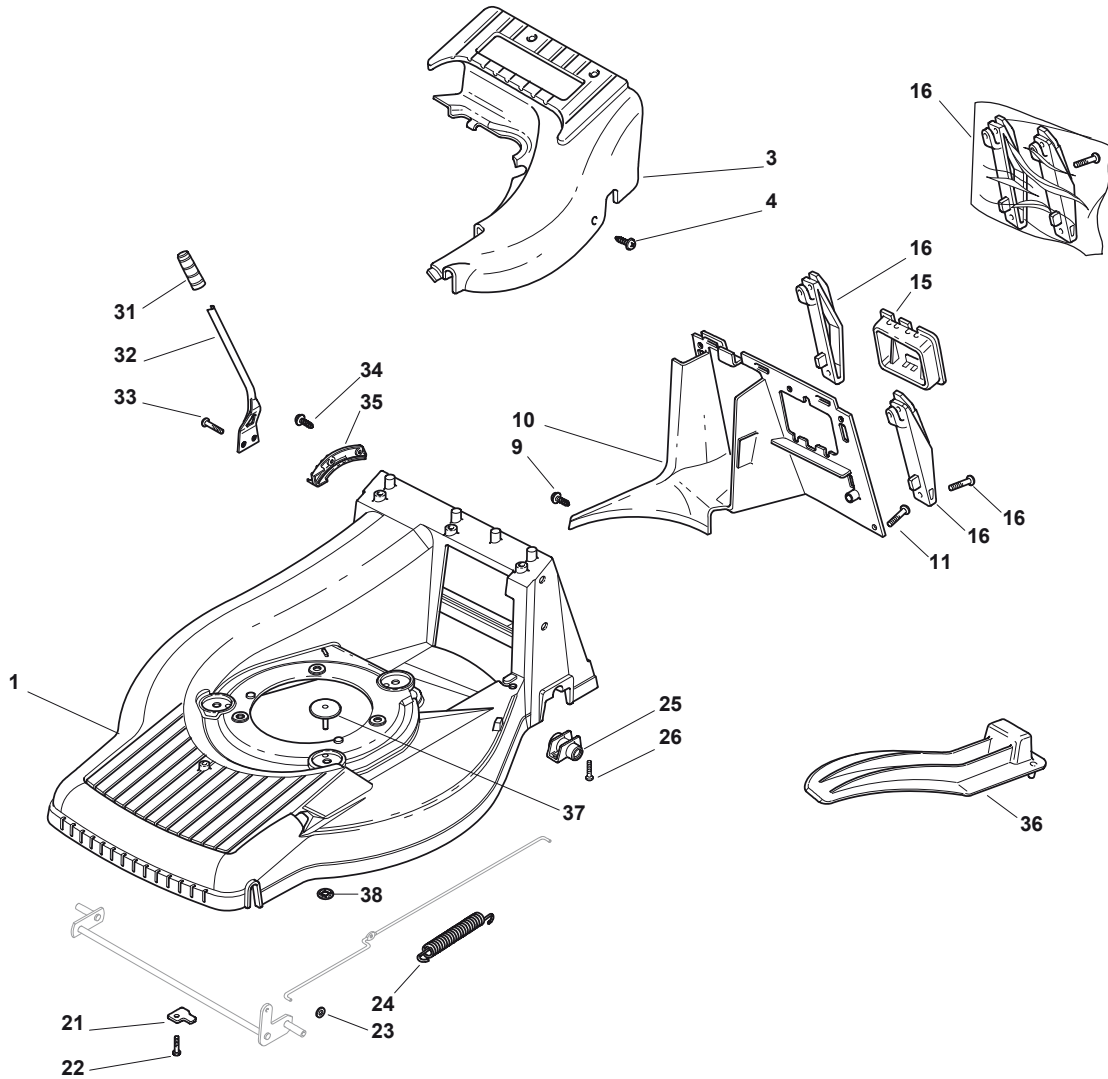
© Copyright 2011 Global Garden Products

All content is subject to copyright by Global Garden Products and may not be reproduced in whole or in part by any means, electronic or otherwise, without prior written approval.

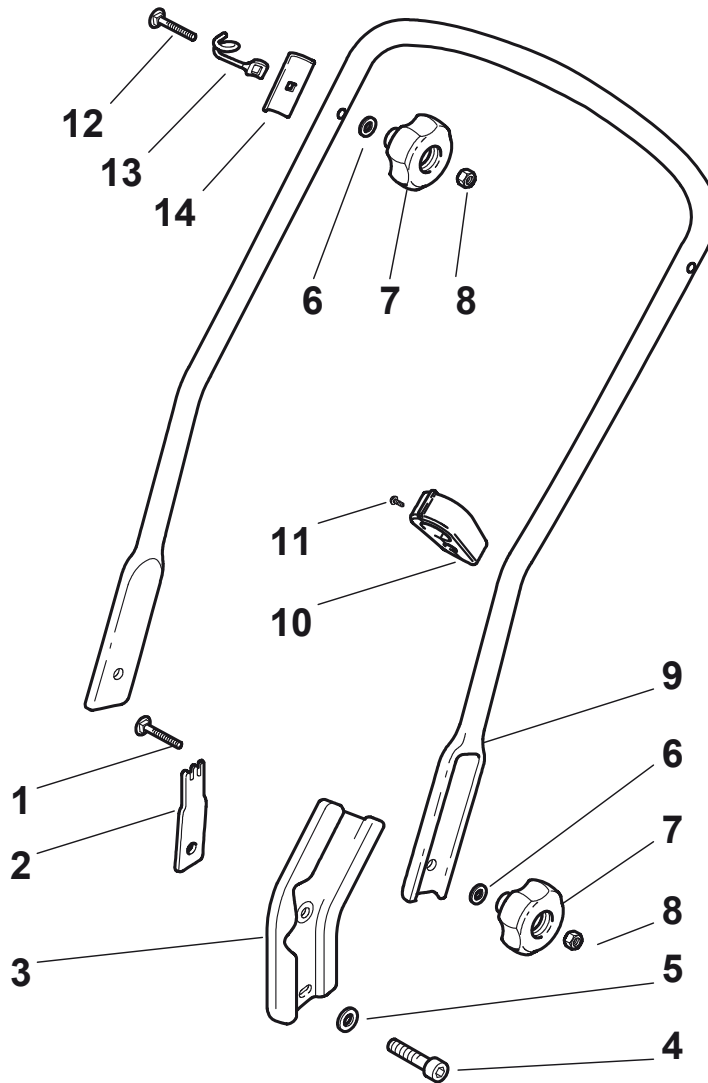
THIS INFORMATION IS NOT INTENDED FOR SALE OR RESALE, AND THIS NOTICE MUST REMAIN ON ALL COPIES.



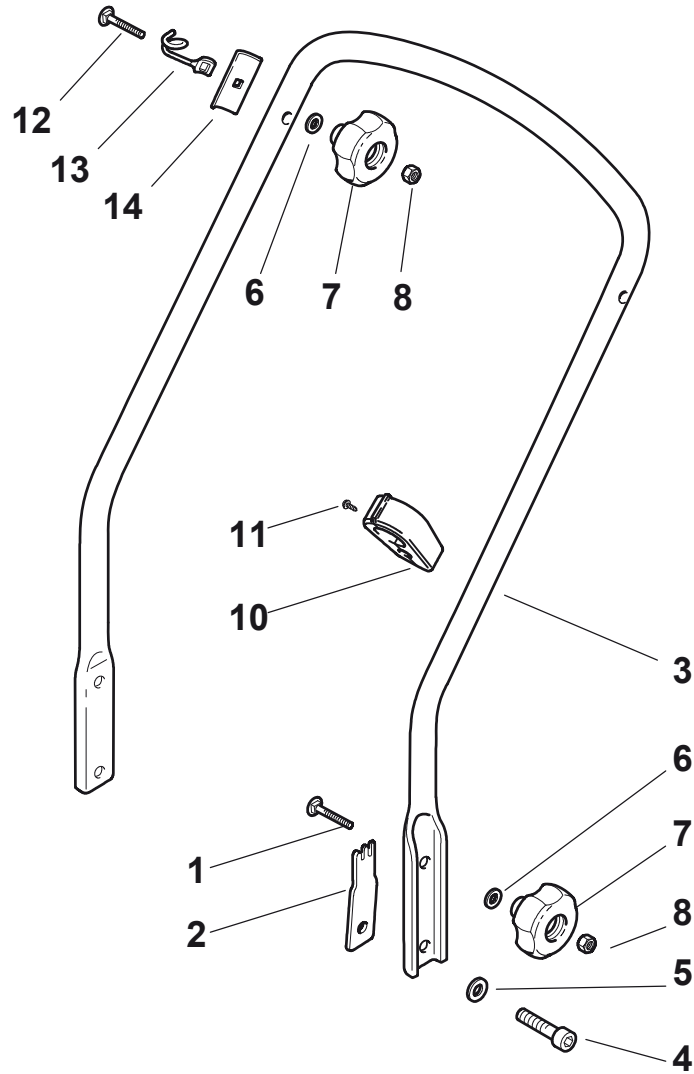
GLOBAL GARDEN PRODUCTS



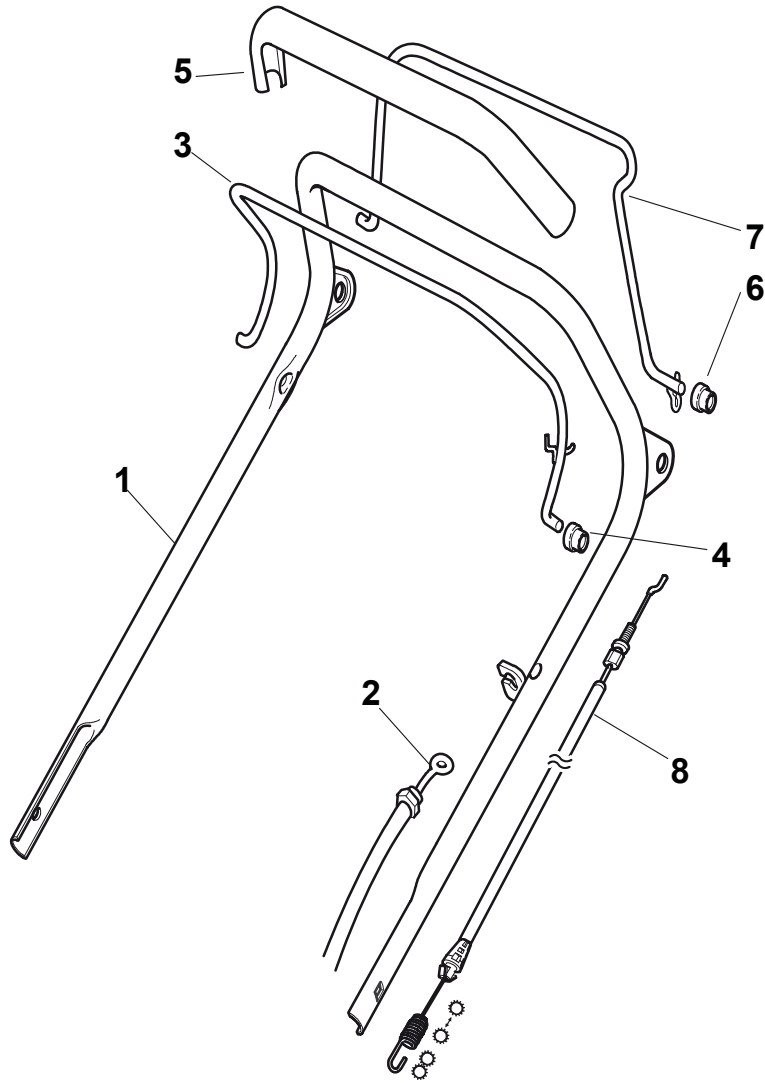
N.	CODE	Q.TY	DESCRIZIONE	DESCRIPTION	DESCRIPTION	BESCHREIBUNG	REMARK
1	81002660/0	1	Chassis Giallo	Deck Yellow	Châssis Jaune	Gehäuse Gelb	
3	22060154/0	1	Carter, Giallo	Protection, Yellow	Protection, Jaune	Schutz, Gelb	554 Avs
3	22060155/1	1	Carter, Rosso	Protection, Red	Protection, Rouge	Schutz, Rot	554 Avs
3	22060156/0	1	Carter, Giallo	Protection, Yellow	Protection, Jaune	Schutz, Gelb	
4	12728300/0	3	Vite	Screw	Vis	Schraube	
9	12728300/0	1	Vite	Screw	Vis	Schraube	
10	22108277/0	1	Convogl. Posteriore	Rear Conveyor Assy	Ens. Convoyeur Post.	Hinterleitblechsatz	
11	12735664/0	3	Vite	Screw	Vis	Schraube	
15	22109531/0	1	Coperchio	Cover	Couvercle	Deckel	
16	81008658/1	1	Dotazione Supporti	Outfit, Supports	Dotation Support	Satz, Halter	
21	22545160/0	2	Piastrina	Plate	Plaquette	Plättchen	
22	12735664/0	2	Vite	Screw	Vis	Schraube	
23	12604898/0	2	Fissatore A Corona	Crown Fastener	Fixateur A Couronne	Kronescheibe	
24	22446181/0	1	Molla	Spring	Ressort	Feder	
25	22785153/0	2	Supporto Gruppo Trazione	Support, Gear Box	Support Gr. Traction	Halter, Antrieb	
26	12735664/0	4	Vite	Screw	Vis	Schraube	
31	22399808/0	1	Manopolina	Knob	Poignée	Griff	
32	22321515/0	1	Leva Regolazione Altezza	Lever, Height Adjustment	Levier Reglage Hauteur	Hebel, Höneverstellung	
33	12735661/0	2	Vite	Screw	Vis	Schraube	
34	12728300/0	2	Vite	Screw	Vis	Schraube	
35	22735563/0	1	Settore Di Regolazione	Sector, Height Adjustment	Secteur Reglage	Sektor, Höneverstellung	
36	22140232/0	1	Deflettore	Deflector	Deflecteur	Deflektor	
37	22820055/0	1	Tappo	Cap	Bouchon	Gummistopfen	554 Avs
37	22820057/0	1	Tappo Nero	Cap Black	Bouchon Noire	Gummistopfen Schwarz	554 Avs
38	12604899/0	1	Fissatore A Corona	Crown Fastener	Fixateur A Couronne	Kronescheibe	554 Avs



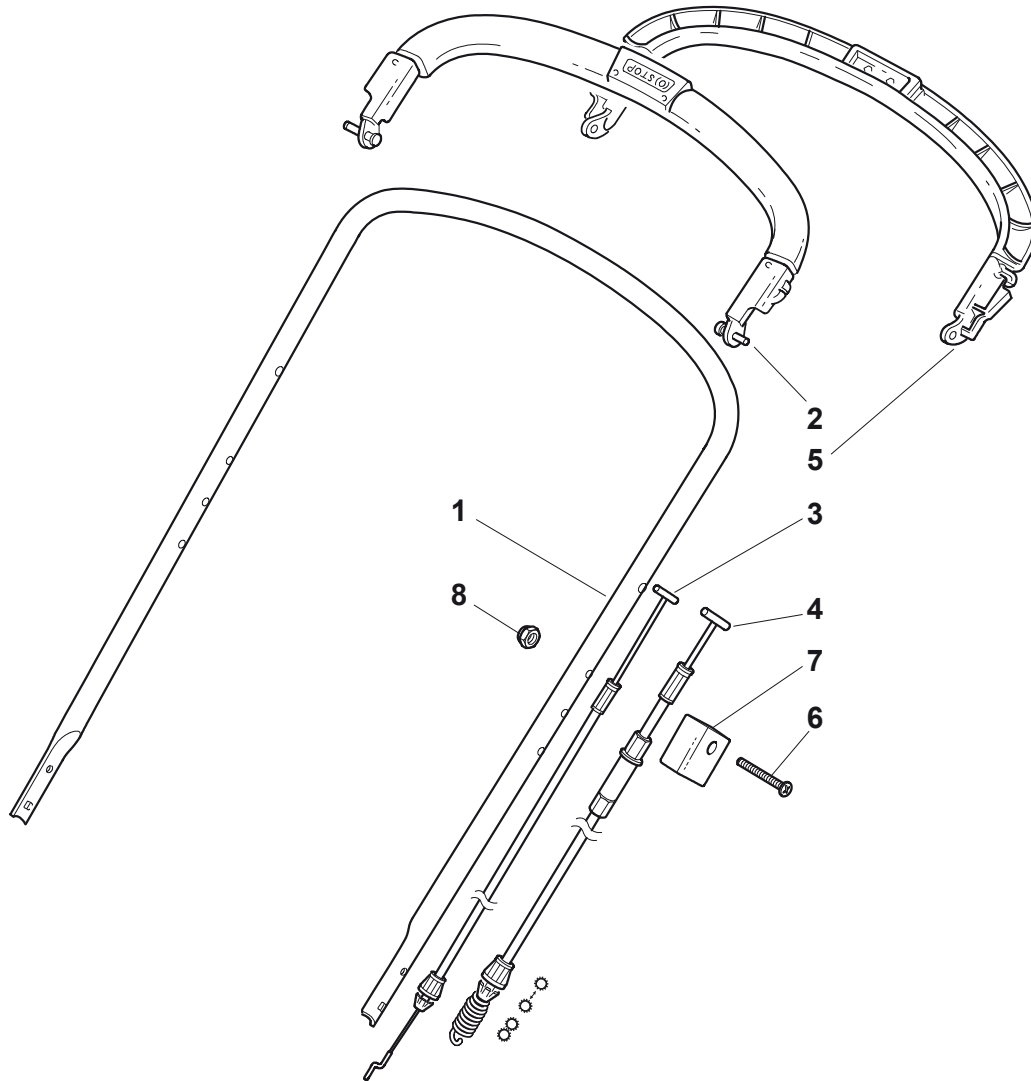
N.	CODE	Q.TY	DESCRIZIONE	DESCRIPTION	DESCRIPTION	BESCHREIBUNG	REMARK
1	12820655/0	2	Vite	Screw	Vis	Schraube	
2	22551635/0	1	Piastrina Fissaggio Manico	Plate For Handle Fastening	Plaquette Fixage Mancheron	Platte Holmbefestigung	
3	22778405/0	2	Supporto	Support	Support	Halter	
4	12760515/0	2	Vite	Screw	Vis	Schraube	
5	12521350/0	2	Rosetta	Washer	Rondelle	Scheibe	
6	12521350/0	4	Rosetta	Washer	Rondelle	Scheibe	
6	81002239/0	1	Sacco, Tela	Box, Fabric	Sac, Toile	Sack, Tuck	
7	22399810/0	4	Manopolina	Knob	Poignée	Griff	
8	12361005/0	4	Dado	Nut	Ecrou	Mutter	
10	22192001/0	1	Fascetta Ancoraggio	Anchor Clamp	Collier Ancrage	Bowdenzughalter	
11	12728691/0	1	Vite	Screw	Vis	Schraube	
12	12820655/0	2	Vite	Screw	Vis	Schraube	
13	22430311/0	1	Molla Guida	Guide Spring	Ressort De Guide	Feder Führer	
14	22545137/0	2	Piastrina Fissaggio Manico	Plate For Handle Fastening	Plaquette Fixage Mancheron	Platte Holmbefestigung	



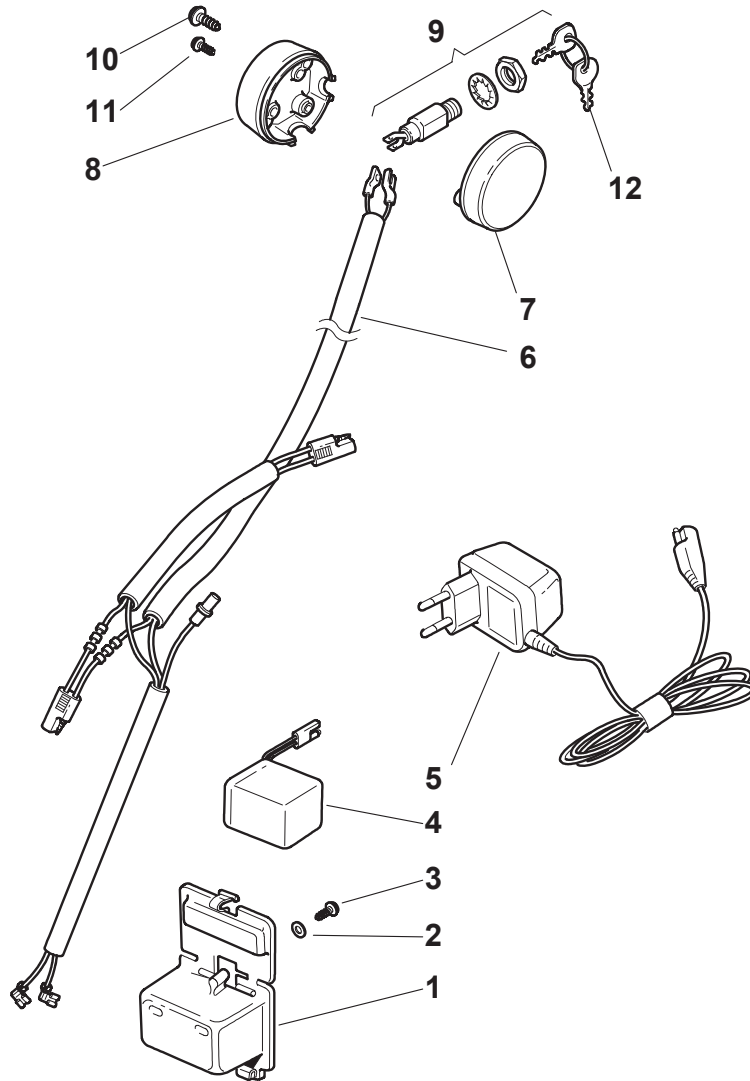
N.	CODE	Q.TY	DESCRIZIONE	DESCRIPTION	DESCRIPTION	BESCHREIBUNG	REMARK
1	12820655/0	2	Vite	Screw	Vis	Schraube	
2	22551635/0	2	Piastrina Fissaggio Manico	Plate For Handle Fastening	Plaquette Fixage Mancheron	Platte Holmbefestigung	
3	81006641/0	1	Manico, Parte Inf	Handle, Lower Part	Mancheron, Partie Inferieure	Holm, Unterteil	
4	12760515/0	2	Vite	Screw	Vis	Schraube	
5	12521350/0	2	Rosetta	Washer	Rondelle	Scheibe	
6	12521350/0	4	Rosetta	Washer	Rondelle	Scheibe	
7	22399810/0	4	Manopolina	Knob	Poignée	Griff	
8	12361005/0	4	Dado	Nut	Ecrou	Mutter	
10	22192001/0	1	Fascetta Ancoraggio	Anchor Clamp	Collier Ancrage	Bowdenzughalter	
11	12728691/0	1	Vite	Screw	Vis	Schraube	
12	12820655/0	2	Vite	Screw	Vis	Schraube	
13	22430311/0	1	Molla Guida	Guide Spring	Ressort De Guide	Feder Führer	
14	22545137/0	2	Piastrina Fissaggio Manico	Plate For Handle Fastening	Plaquette Fixage Mancheron	Platte Holmbefestigung	



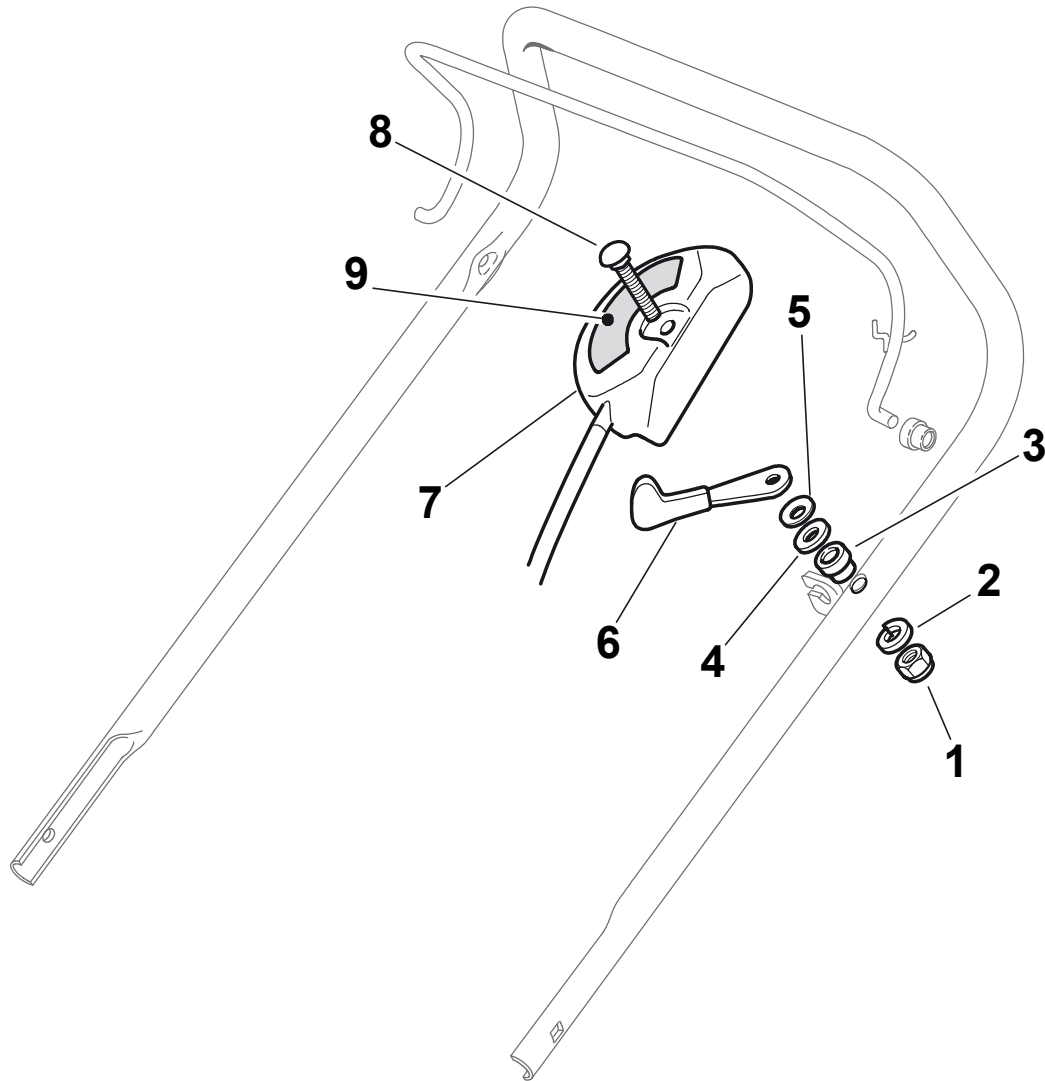
N.	CODE	Q.TY	DESCRIZIONE	DESCRIPTION	DESCRIPTION	BESCHREIBUNG	REMARK
1	81007024/0	1	Manico, Parte Sup	Handle, Upper Part	Mancheron, Partie Superieure	Holm, Oberteil	
2	181030006/0	1	Cavo Freno Motore	Cable, Thread Engine Brake	Cable Frein Moteur	Kabel, Motorbremse	554 (B&S 700 Series DOV)
2	81000642/1	1	Cavo Freno Motore	Cable, Thread Engine Brake	Cable Frein Moteur	Kabel, Motorbremse	554 (Honda Gcv 135-160-190)
2	81000642/1	1	Cavo Freno Motore	Cable, Thread Engine Brake	Cable Frein Moteur	Kabel, Motorbremse	554 (Ggp 196cc)
2	81000642/1	1	Cavo Freno Motore	Cable, Thread Engine Brake	Cable Frein Moteur	Kabel, Motorbremse	554 (Ggp 160cc)
2	81000642/1	1	Cavo Freno Motore	Cable, Thread Engine Brake	Cable Frein Moteur	Kabel, Motorbremse	554 (Ggp 140cc)
2	81000642/1	1	Cavo Freno Motore	Cable, Thread Engine Brake	Cable Frein Moteur	Kabel, Motorbremse	554 (B&S 625-675 Series)
2	81000756/0	1	Cavo Freno Motore	Cable, Thread Engine Brake	Cable Frein Moteur	Kabel, Motorbremse	554 (Ggp 150cc)
3	81003291/3	1	Leva Freno Motore	Lever, Engine Brake	Levier Frein Moteur	Hebel, Motorbremse	
4	22041966/0	2	Bussola	Bush	Douille	Buchse	
5	22291050/0	1	Impugnatura Manico Nera	Handgrip Black	Poignée Noire	Handgriff Schwarz	
6	22041965/1	2	Bussola	Bush	Douille	Buchse	
7	81003288/1	1	Leva Trazione	Lever, Driving	Levier Traction	Hebel, Antrieb	
8	381000778/0	1	Cavo Comando Trazione	Cable, Rear Drive	Câble, Comma. Traction	Kabel, Antrieb	
8	381030008/0	1	Cavo Comando Trazione	Cable, Rear Drive	Câble, Commande Traction	Kabel, Antrieb	



N.	CODE	Q.TY	DESCRIZIONE	DESCRIPTION	DESCRIPTION	BESCHREIBUNG	REMARK
1	81006618/1	1	Manico, Parte Sup	Handle, Upper Part	Mancheron, Partie Superieure	Holm, Oberteil	
2	81003298/1	1	Leva Freno Motore	Lever, Engine Brake	Levier Frein Moteur	Hebel, Motorbremse	
3	181000777/0	1	Cavo Freno Motore	Cable, Thread Engine Brake	Cable Frein Moteur	Kabel, Motorbremse	554 (Ggp 150cc)
3	181000777/0	1	Cavo Freno Motore	Cable, Thread Engine Brake	Cable Frein Moteur	Kabel, Motorbremse	554 (B&S 700 Series DOV)
3	81000688/0	1	Cavo Freno Motore	Cable, Thread Engine Brake	Cable Frein Moteur	Kabel, Motorbremse	554 (Honda Gcv 135-160-190)
3	81000688/0	1	Cavo Freno Motore	Cable, Thread Engine Brake	Cable Frein Moteur	Kabel, Motorbremse	554 (Ggp 196cc)
3	81000688/0	1	Cavo Freno Motore	Cable, Thread Engine Brake	Cable Frein Moteur	Kabel, Motorbremse	554 (Ggp 160cc)
3	81000688/0	1	Cavo Freno Motore	Cable, Thread Engine Brake	Cable Frein Moteur	Kabel, Motorbremse	554 (Ggp 140cc)
3	81000688/0	1	Cavo Freno Motore	Cable, Thread Engine Brake	Cable Frein Moteur	Kabel, Motorbremse	554 (B&S 625-675 Series)
4	81000697/0	1	Cavo Comando Trazione	Cable, Rear Drive	Câble, Commande Traction	Kabel, Antrieb	
5	81003297/1	1	Leva Trazione	Driving Lever	Levier Traction	Antriebhebel	
6	12727783/0	1	Vite	Screw	Vis	Schraube	
7	22551640/0	1	Piastrina	Plate	Plaquette	Plättchen	
8	12154510/0	1	Dado	Nut	Ecrou	Mutter	

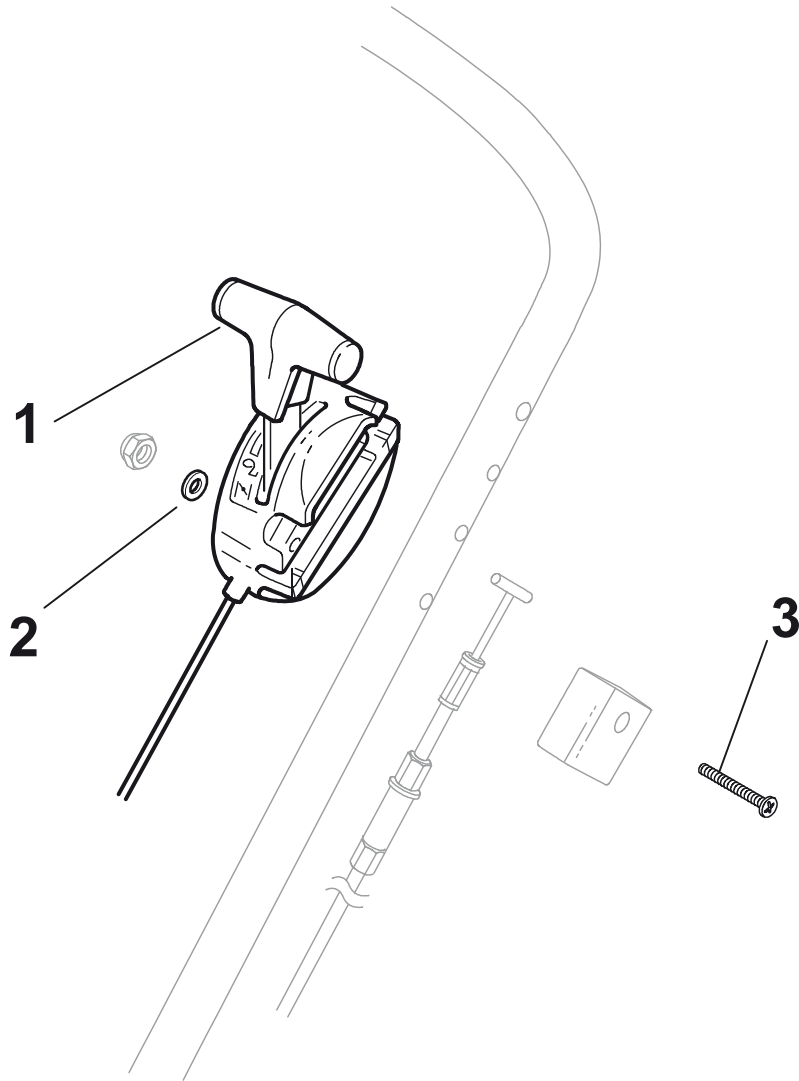


N.	CODE	Q.TY	DESCRIZIONE	DESCRIPTION	DESCRIPTION	BESCHREIBUNG	REMARK
1	22109533/0	1	Contenitore Batteria	Battery Box	Conteneur De Batterie	Batterie Behälter	
2	12523040/0	1	Rosetta	Washer	Rondelle	Scheibe	
3	12728691/0	1	Vite	Screw	Vis	Schraube	
4	18120052/0	1	Batteria	Battery	Batterie	Batterie	
5	18204120/0	1	Carica Batteria	Battery Charger	Chargeur De	Ladgerät	(CE)
5	18204121/0	1	Carica Batteria	Battery Charger	Chargeur De	Ladgerät	(UK)
6	18204195/0	1	Cavo Avviamento	Cable, Start	Cable Démarrage	Kabel, Start	
7	22722801/0	1	Protezione Sx	L Protection	Protection G	Linke Schutz	
8	22722800/0	1	Protezione Dx	R Protection	Protection D	Rechte Schutz	
9	18450050/0	1	Interruttore	Switch	Interrupteur	Schalter	
10	12728702/0	2	Vite	Screw	Vis	Schraube	
11	12728691/0	1	Vite	Screw	Vis	Schraube	
12	18210016/1	1	Chiave Avviamento	Starting Key	Clef A Demarrage	Schlüssel Für Start	

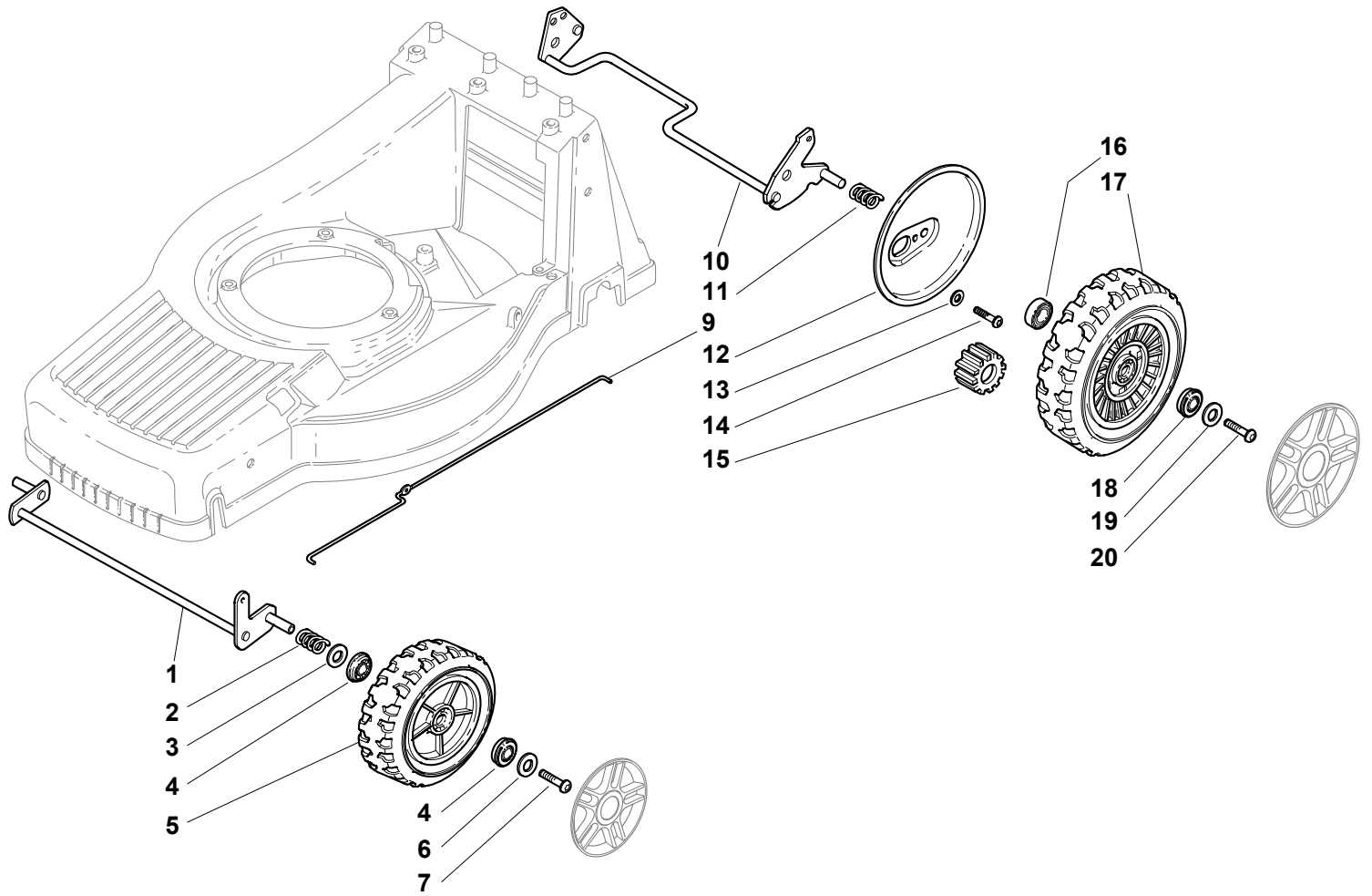


N.	CODE	Q.TY	DESCRIZIONE	DESCRIPTION	DESCRIPTION	BESCHREIBUNG	REMARK
1	12291000/0	1	Dado	Nut	Ecrou	Mutter	
2	12581500/0	1	Grower	Grower	Grower	Federring	
3	22171005/0	1	Distanziale	Spacer	Entretoise	Distanzring	
4	12521360/0	1	Rosetta	Washer	Rondelle	Scheibe	
5	12508100/0	1	Rosetta Elastica	Spring Washer	Rondelle Elastique	Elastische Scheibe	
6	81007220/0	1	Leva, Acceleratore	Lever, Throttle	Levier, Accelérateur	Hebel, Beshleuniger	(B&S 450-500 Series - GGP 150 cc)
6	81007279/1	1	Leva, Acceleratore	Lever, Throttle	Levier, Accelérateur	Hebel, Beshleuniger	(B&S 625-675-700 Series - Honda - GGP 140-160-196 cc)
7	81007080/0	1	Cavo Acceleratore	Throttle Cable	Cable, Accelérateur	Gashebel Kabel	
8	12815000/0	1	Vite	Screw	Vis	Schraube	
9	114356905/0	1	Etichetta	Label	Etiquette	Etikette	(B&S 700 series DOV)
9	114356905/0	1	Etichetta	Label	Etiquette	Etikette	(Honda GCV 160-190 Autochoke)
9	114364264/0	1	Etichetta	Label	Etiquette	Etikette	AVS (GGP 160-196)
9	14356702/0	1	Etichetta	Label	Etiquette	Etikette	(Honda)
9	14356702/0	1	Etichetta	Label	Etiquette	Etikette	(GGP)
9	14356703/0	1	Etichetta	Label	Etiquette	Etikette	(B&S)

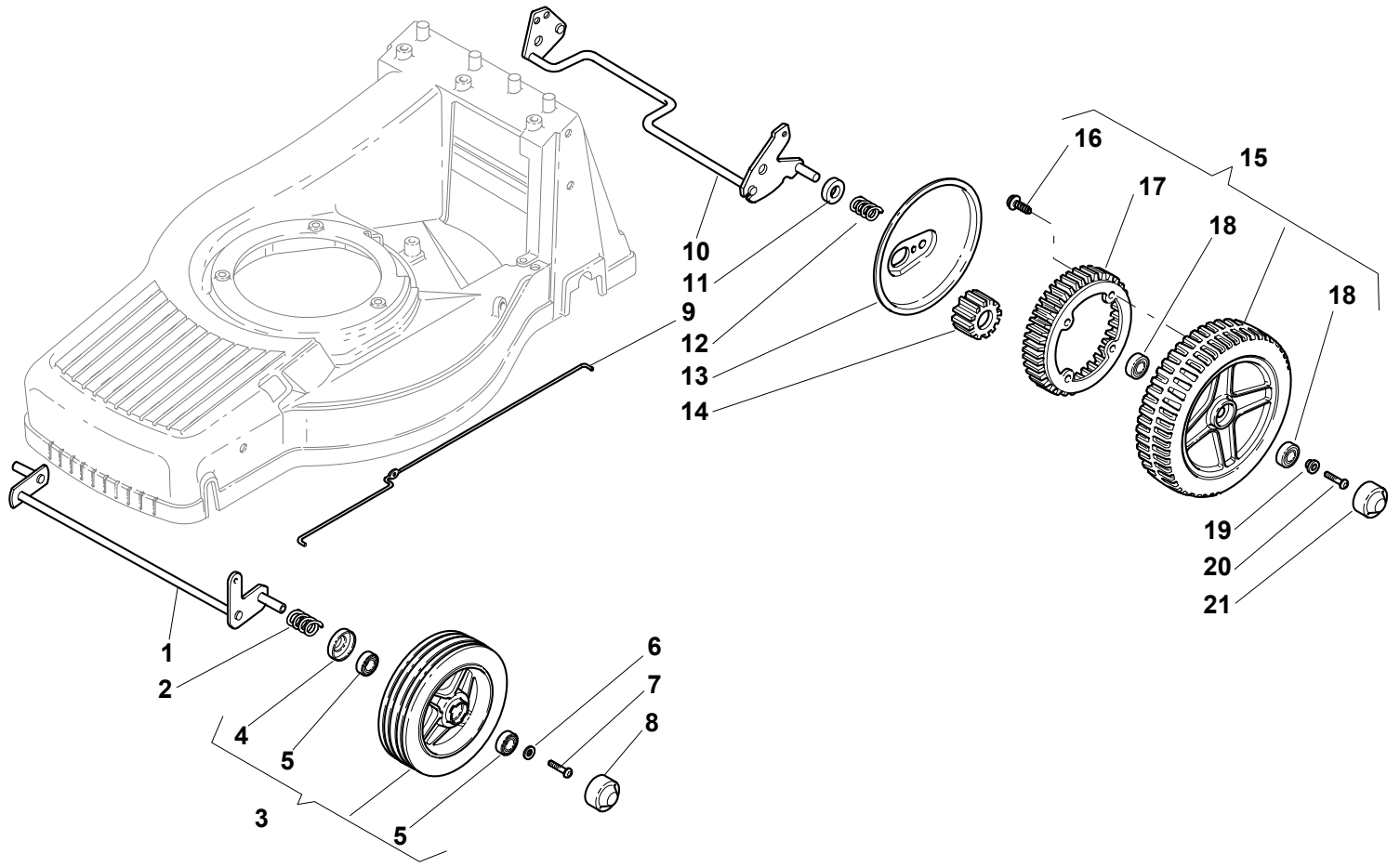




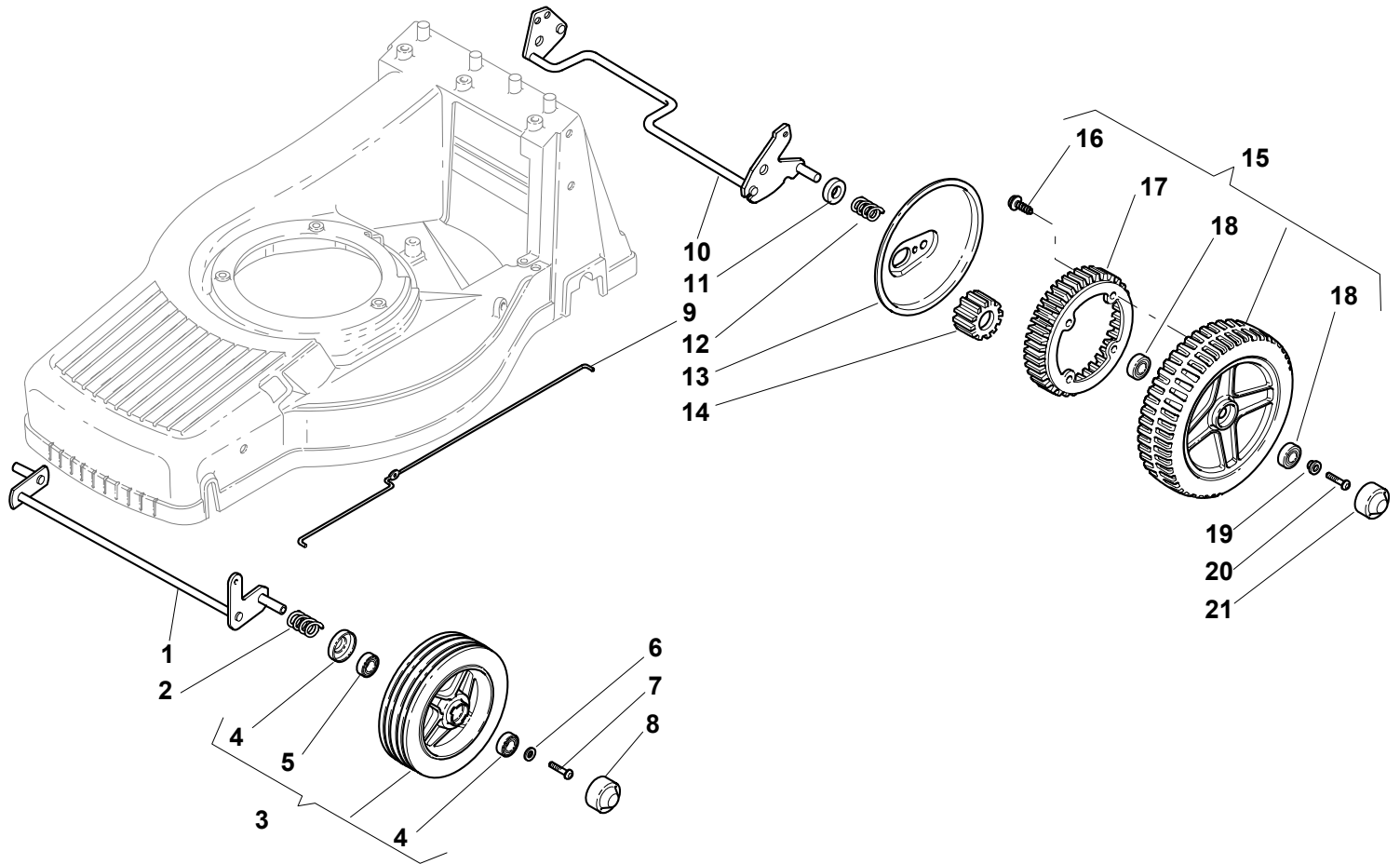
N.	CODE	Q.TY	DESCRIZIONE	DESCRIPTION	DESCRIPTION	BESCHREIBUNG	REMARK
1	81007126/0	1	Cavo Acceleratore	Throttle Cable	Cable, Accelérateur	Gashebel Kabel	(Honda)
1	81007128/0	1	Cavo Acceleratore	Throttle Cable	Cable, Accelérateur	Gashebel Kabel	(B&S)
2	12523040/0	1	Rosetta	Washer	Rondelle	Scheibe	
3	12727787/0	1	Vite	Screw	Vis	Schraube	



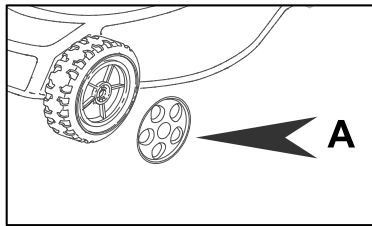
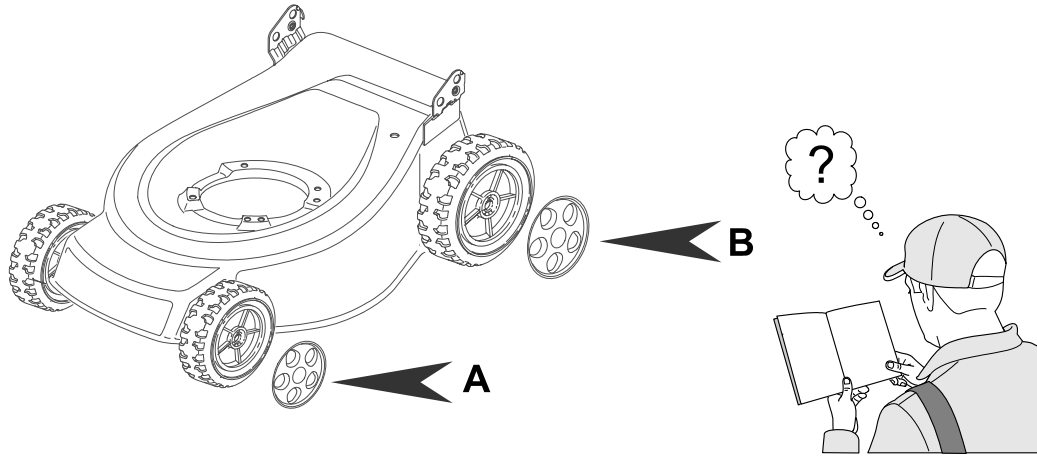
N.	CODE	Q.TY	DESCRIZIONE	DESCRIPTION	DESCRIPTION	BESCHREIBUNG	REMARK
1	81002847/0	1	Asse Ruote Anteriore	Axle, Front Wheels	Axe Roues Avant	Achse, Vorderrad	
2	22430210/0	2	Molla	Spring	Ressort	Feder	
3	12521370/0	2	Rondella	Washer	Rondelle	Scheibe	
4	22122200/0	4	Cuscinetto	Bearing	Coussinet	Lager	
5	81007351/0	2	Ruota Ø 170	Wheel, Ø 170	Roue Ø 170	Rad Ø 170	
6	12521460/0	2	Rosetta	Washer	Rondelle	Scheibe	
7	112735662/1	2	Vite	Screw	Vis	Schraube	
9	22033323/0	1	Asta Comando Regol.	Rod, Height Adjustment Control	Tige Commande Reglage Hauteur	Stange, Höheverstellung	
10	81002823/0	1	Asse Ruote Posteriore	Axle, Rear Wheels	Axe Roues Arriere	Achse, Hinterrad	
11	22430215/0	2	Molla	Spring	Ressort	Feder	
12	22600121/0	2	Prot. Ruote	Protection, Wheel	Protection Roue	Schütz, Räder	
13	12521460/0	2	Rosetta	Washer	Rondelle	Scheibe	
14	112735662/1	2	Vite	Screw	Vis	Schraube	
15	22570125/0	2	Pignone	Pinion	Pignon	Ritzel	
16	19216038/0	2	Cuscinetto	Bearing	Coussinet	Lager	
17	81007362/0	2	Ruota Ø 215	Wheel Ø 215	Roue Ø 215	Rad Ø 215	
18	22122201/0	2	Cuscinetto	Bearing	Coussinet	Lager	
19	12521460/0	2	Rosetta	Washer	Rondelle	Scheibe	
20	112735662/1	2	Vite	Screw	Vis	Schraube	



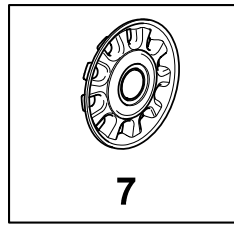
N.	CODE	Q.TY	DESCRIZIONE	DESCRIPTION	DESCRIPTION	BESCHREIBUNG	REMARK
1	81002825/0	1	Asse Ruote Anteriore	Axle, Front Wheels	Axe Roues Avant	Achse, Vorderrad	
2	22430210/0	2	Molla	Spring	Ressort	Feder	
3	81007363/0	2	Ruota Ø 175	Wheel Ø 175	Roue Ø 175	Rad Ø 175	
4	22160522/0	2	Disco Parapolvere	Dust Cover	Protege-Poussiere	Staubschuttscheibe	
5	19216039/0	4	Cuscinetto	Bearing	Coussinet	Lager	
6	12521460/0	2	Rosetta	Washer	Rondelle	Scheibe	
7	112735662/1	2	Vite	Screw	Vis	Schraube	
8	22110379/0	2	Coprismozzo	Hub Cap	Couvre-Moyeu	Radkappe	
9	22033323/0	1	Asta Comando Regol.	Rod, Height Adjustment Control	Tige Commande Reglage Hauteur	Stange, Höheverstellung	
10	81002823/0	1	Asse Ruote Posteriore	Axle, Rear Wheels	Axe Roues Arriere	Achse, Hinterrad	
11	22170810/0	2	Distanziale	Spacer	Entretoise	Distanzring	
12	22430215/0	2	Molla	Spring	Ressort	Feder	
13	22600127/0	2	Prot. Ruote	Protection, Wheel	Protection Roue	Schütz, Räder	
14	22570126/0	2	Pignone	Pinion	Pignon	Ritzel	
15	81007368/0	2	Ruota Ø 215	Wheel Ø 215	Roue Ø 215	Rad Ø 215	
16	12728210/0	8	Vite	Screw	Vis	Schraube	
17	22120108/0	2	Corona Trascinamento	Ring Gear	Couronne	Kranz	
18	19216038/0	4	Cuscinetto	Bearing	Coussinet	Lager	
19	22671655/0	2	Rosetta	Washer	Rondelle	Scheibe	
20	12735592/0	2	Vite	Screw	Vis	Schraube	
21	22110380/0	2	Coprismozzo	Hub Cap	Couvre-Moyeu	Radkappe	



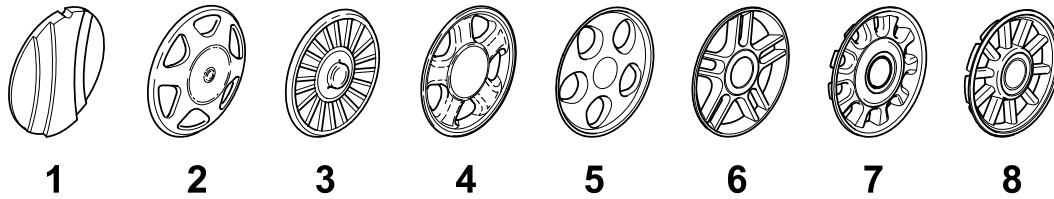
N.	CODE	Q.TY	DESCRIZIONE	DESCRIPTION	DESCRIPTION	BESCHREIBUNG	REMARK
1	81002829/0	1	Asse Ruote Anteriore	Axle, Front Wheels	Axe Roues Avant	Achse, Vorderrad	
2	22430210/0	2	Molla	Spring	Ressort	Feder	
3	381007384/0	2	Ruota Ø 190	Wheel Ø 190	Roue Ø 190	Rad Ø 190	
4	22160522/0	2	Disco Parapolvere	Dust Cover	Protege-Poussiere	Staubschuttscheibe	
5	19216039/0	4	Cuscinetto	Bearing	Coussinet	Lager	
6	12521460/0	2	Rosetta	Washer	Rondelle	Scheibe	
7	112735662/1	2	Vite	Screw	Vis	Schraube	
8	22110379/0	2	Coprismozzo	Hub Cap	Couvre-Moyeu	Radkappe	
9	22033324/0	1	Asta Comando Regol.	Rod, Height Adjustment Control	Tige Commande Reglage Hauteur	Stange, Höheverstellung	
10	81002823/0	1	Asse Ruote Posteriore	Axle, Rear Wheels	Axe Roues Arriere	Achse, Hinterrad	
11	22170810/0	2	Distanziale	Spacer	Entretoise	Distanzring	
12	22430215/0	2	Molla	Spring	Ressort	Feder	
13	22600127/0	2	Prot. Ruote	Protection, Wheel	Protection Roue	Schütz, Räder	
14	22570126/0	2	Pignone	Pinion	Pignon	Ritzel	
15	81007368/0	2	Ruota Ø 215	Wheel Ø 215	Roue Ø 215	Rad Ø 215	
16	12728210/0	8	Vite	Screw	Vis	Schraube	
17	22120108/0	2	Corona Trascinamento	Ring Gear	Couronne	Kranz	
18	19216038/0	4	Cuscinetto	Bearing	Coussinet	Lager	
19	22671655/0	2	Rosetta	Washer	Rondelle	Scheibe	
20	12735592/0	2	Vite	Screw	Vis	Schraube	
21	22110380/0	2	Coprismozzo	Hub Cap	Couvre-Moyeu	Radkappe	



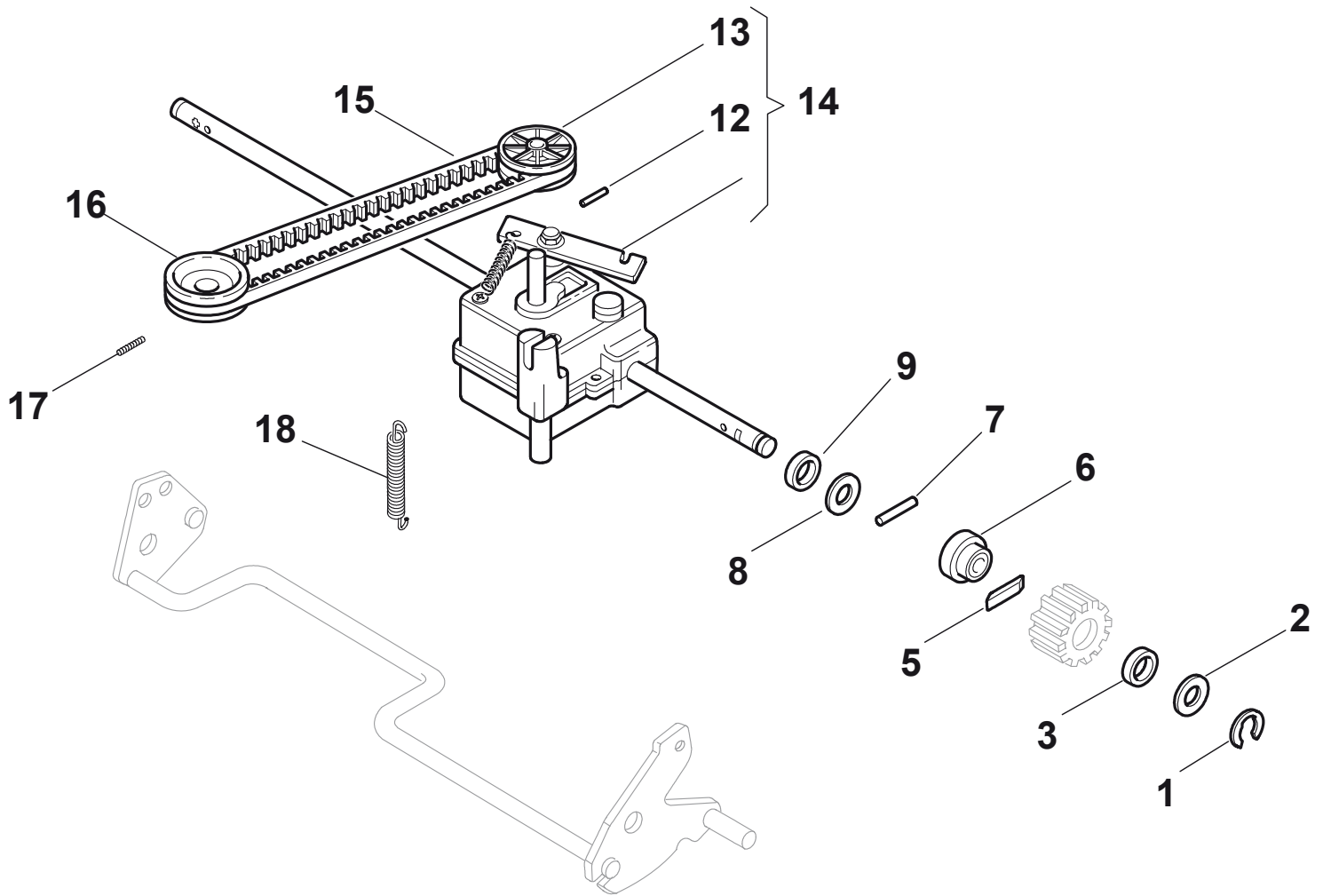
+



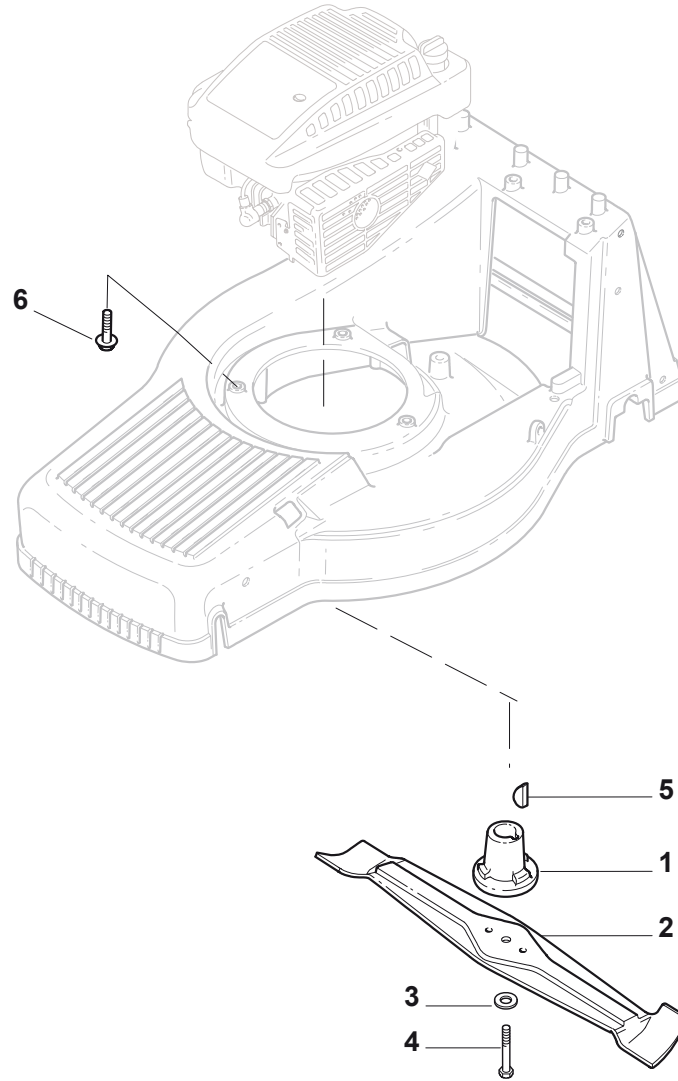
= A7



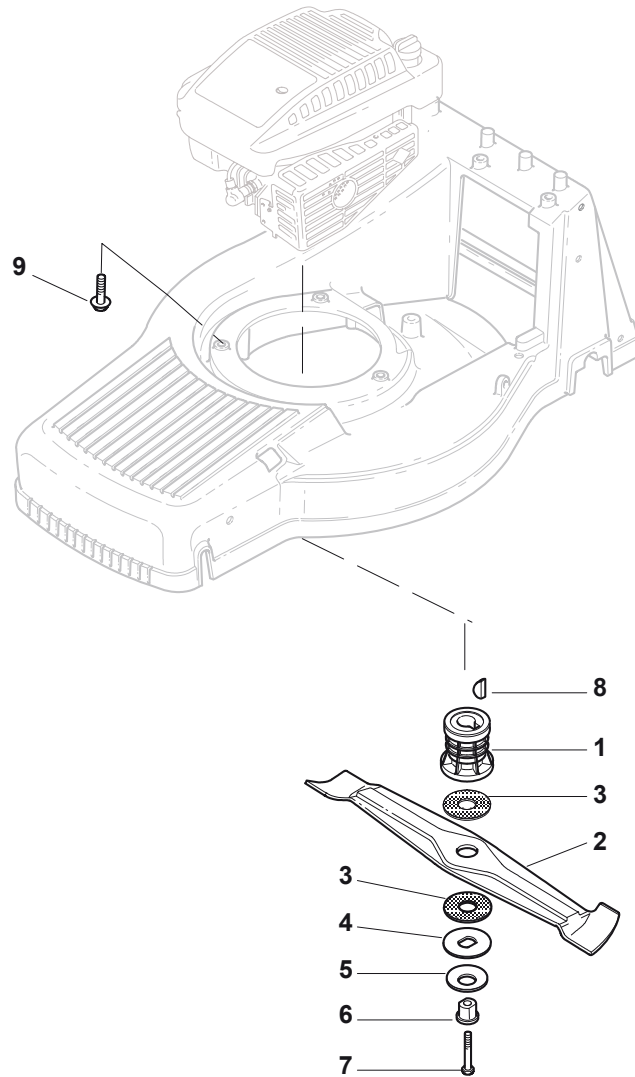
N. CODE	Q.TY	DESCRIZIONE	DESCRIPTION	DESCRIPTION	BESCHREIBUNG	REMARK
B1 22110251/0	2	Coprismozzo Bianco	Hub Cap White	Couvre-Moyeu	Radkappe Weiße	
A1 22110252/1	2	Coprismozzo Bianco	Hub Cap White	Couvre-Moyeu	Radkappe Weiße	
B1 22110253/0	2	Coprismozzo Giallo	Hub Cap Yellow	Couvre-Moyeu	Radkappe Gelbe	
A1 22110254/1	2	Coprismozzo Giallo	Hub Cap Yellow	Couvre-Moyeu	Radkappe Gelbe	
A1 22110255/1	2	Coprismozzo Rosso	Hub Cap Red	Couvre-Moyeu	Radkappe Rote	
B1 22110256/0	2	Coprismozzo Rosso	Hub Cap Red	Couvre-Moyeu	Radkappe Rote	
A1 22110381/0	2	Coprismozzo Grigio	Hub Cap Grey	Couvre-Moyeu Gris	Radkappe Grau	
B1 22110382/0	2	Coprismozzo Grigio	Hub Cap Grey	Couvre-Moyeu Gris	Radkappe Grau	
B2 22110313/0	2	Coprismozzo Bianco	Hub Cap White	Couvre-Moyeu	Radkappe Weiße	
B2 22110314/0	2	Coprismozzo Grigio	Hub Cap Grey	Couvre-Moyeu Gris	Radkappe Grau	
A2 22110344/0	2	Coprismozzo Bianco	Hub Cap White	Couvre-Moyeu	Radkappe Weiße	
A2 22110395/0	2	Coprismozzo Grigio	Hub Cap Grey	Couvre-Moyeu Gris	Radkappe Grau	
A3 22110347/0	2	Coprismozzo Grigio	Hub Cap Grey	Couvre-Moyeu Gris	Radkappe Grau	
B3 22110348/0	2	Coprismozzo Grigio	Hub Cap Grey	Couvre-Moyeu Gris	Radkappe Grau	
A4 22110381/0	2	Coprismozzo Grigio	Hub Cap Grey	Couvre-Moyeu Gris	Radkappe Grau	
B4 22110382/0	2	Coprismozzo Grigio	Hub Cap Grey	Couvre-Moyeu Gris	Radkappe Grau	
A5 22110416/0	2	Coprismozzo Grigio	Hub Cap Grey	Couvre-Moyeu Gris	Radkappe Grau	
B5 22110417/0	2	Coprismozzo Grigio	Hub Cap Grey	Couvre-Moyeu Gris	Radkappe Grau	
A6 22110491/0	2	Coprismozzo Grigio	Hub Cap Grey	Couvre-Moyeu Gris	Radkappe Grau	
B6 22110492/0	2	Coprismozzo Grigio	Hub Cap Grey	Couvre-Moyeu Gris	Radkappe Grau	
A7 22110493/0	2	Coprismozzo Grigio	Hub Cap Grey	Couvre-Moyeu Gris	Radkappe Grau	
B7 22110494/0	2	Coprismozzo Grigio	Hub Cap Grey	Couvre-Moyeu Gris	Radkappe Grau	
A8 22110495/0	2	Coprismozzo Grigio	Hub Cap Grey	Couvre-Moyeu Gris	Radkappe Grau	
B8 22110496/0	2	Coprismozzo Grigio	Hub Cap Grey	Couvre-Moyeu Gris	Radkappe Grau	



N.	CODE	Q.TY	DESCRIZIONE	DESCRIPTION	DESCRIPTION	BESCHREIBUNG	REMARK
1	12000957/0	2	Anello Benzing	Benzing	Anneau Benzing	Benzing	
2	12520032/0	2	Rosetta	Washer	Rondelle	Scheibe	
3	22160520/0	2	Disco Parapolvere	Dust Cover	Protege-Poussiere	Staubschuttscheibe	
5	22076645/0	2	Chiave	Key	Clef	Schlüssel	
6	22170630/0	2	Distanziale	Spacer	Entretoise	Distanzring	
7	22753002/0	2	Spina	Pin	Goupille	Stift	
8	12520032/0	2	Rosetta	Washer	Rondelle	Scheibe	
9	19035152/0	2	Anello Or	Or Ring	Bague Or	Ring Or	
12	12620310/0	1	Spina	Pin	Goupille	Stift	
13	22601913/0	1	Puleggia	Pulley	Poulie	Riemenscheibe	
14	81003085/0	1	Gruppo Trazione	Gear Box	Groupe Traction	Antrieb	
15	35064383/0	1	Cinghia Zpx 812	Belt Zpx 812	Courroie Zpx 812	Riemen Zpx 812	
16	122601921/0	1	Puleggia, Albero Motore Ø 25	Pulley, Crankshaft Ø 25	Poulie, Arbre Moteur Ø 25	Riemenscheibe, Motorwelle Ø 25	(Honda)
16	22601918/0	1	Puleggia, Albero Motore Ø 22.2	Pulley, Crankshaft Ø 22.2	Poulie, Arbre Moteur Ø 22.2	Riemenscheibe, Motorwelle Ø 22	(B&S - GGP)
17	12714312/0	1	Grano	Dowel	Grain	Stift	
18	22450434/0	1	Molla	Spring	Ressort	Feder	

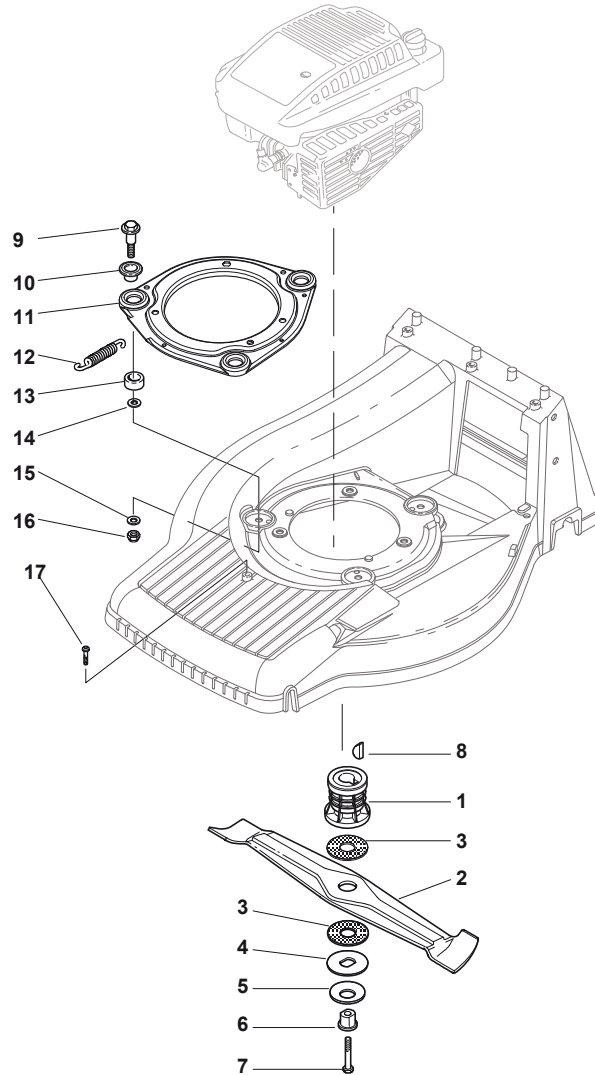


N.	CODE	Q.TY	DESCRIZIONE	DESCRIPTION	DESCRIPTION	BESCHREIBUNG	REMARK
1	122465630/0	1	Mozzo, Albero Motore Ø 25	Hub, Crankshaft Ø 25	Moyeu, Arbre Moteur Ø 25	Halter, Motorwelle Ø 25	(Honda)
1	22465618/0	1	Mozzo, Albero Motore Ø 22.2	Hub, Crankshaft Ø 22.2	Moyeu, Arbre Moteur Ø 22.2	Halter, Motorwelle Ø 22.2	(B&S - GGP)
2	81004144/0	1	Coltello Alettato	Blade Winged	Lame Ailetée	Messer Flügel	554
2	81004144/0	1	Coltello Alettato	Blade Winged	Lame Ailetée	Messer Flügel	
3	12530140/0	1	Rosetta	Washer	Rondelle	Scheibe	
4	12735698/0	1	Vite	Screw	Vis	Schraube	
5	12139100/0	1	Linguetta, Albero Motore Ø 22.2	Feather, Crankshaft Ø 22.2	Clavette, Arbre Moteur Ø 22.2	Keil, Motorwelle Ø 22.2	(B&S - GGP)
5	12139150/0	1	Linguetta, Albero Motore Ø 25	Feather, Crankshaft Ø 25	Clavette, Arbre Moteur Ø 25	Keil, Motorwelle Ø 25	(Honda)
6	112735108/1	3	Vite	Screw	Vis	Schraube	

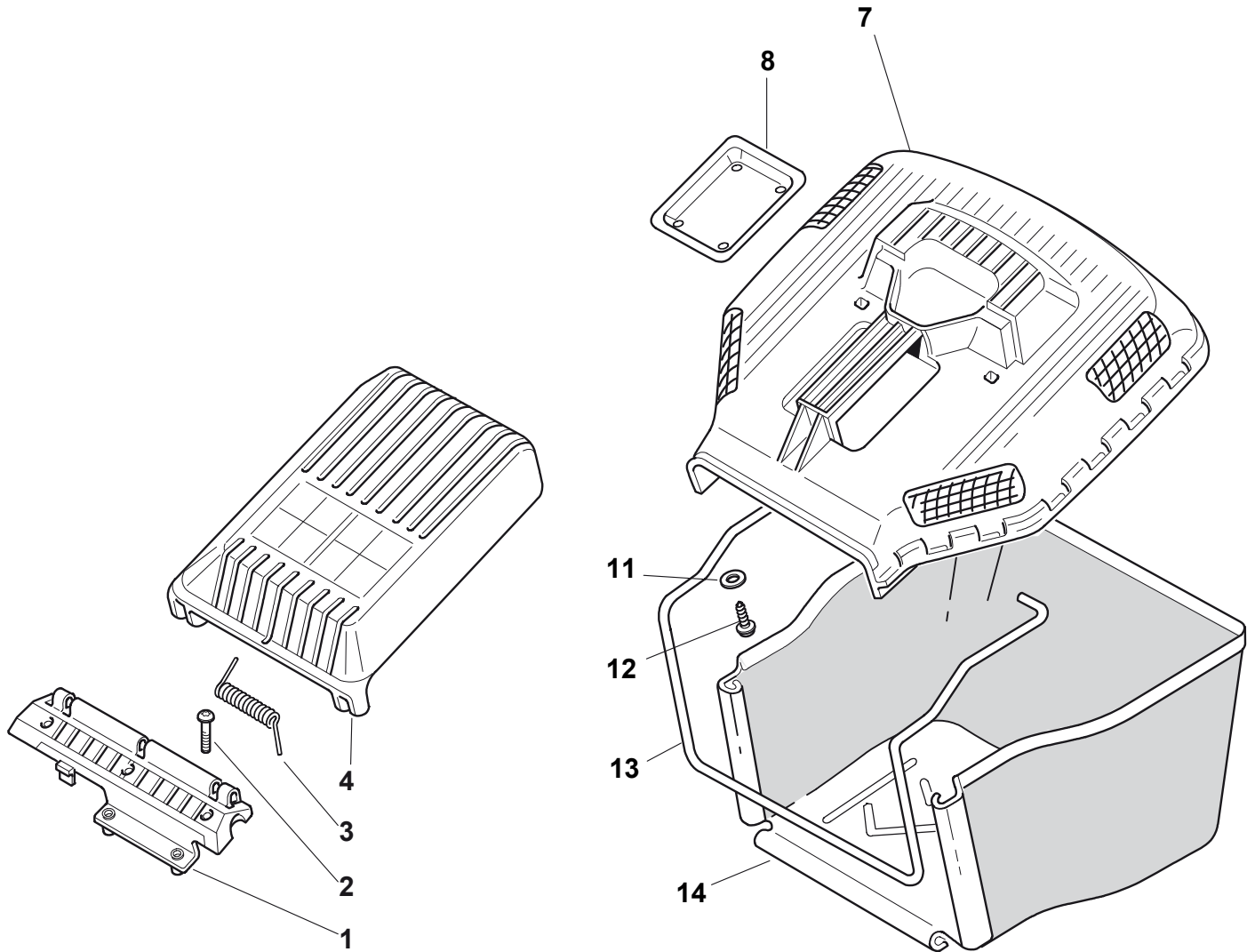


N.	CODE	Q.TY	DESCRIZIONE	DESCRIPTION	DESCRIPTION	BESCHREIBUNG	REMARK
1	122465631/0	1	Mozzo Con Puleggia, Albero Motore Ø 25	Hub With Pulley, Crankshaft Ø 25	Moyeu Avec Poulie, Arbre Moteur Ø 25	Nabe Mit Scheibe, Motorwelle Ø 25	(Honda)
1	122465636/0	1	Mozzo Con Puleggia, Albero Motore Ø 22.2	Hub With Pulley, Crankshaft Ø 22.2	Moyeu Avec Poulie, Arbre Moteur Ø 22.2	Nabe Mit Scheibe, Motorwelle Ø 22.2	AVS (B&S - GGP)
1	122465637/0	1	Mozzo Con Puleggia, Albero Motore Ø 25	Hub With Pulley, Crankshaft Ø 25	Moyeu Avec Poulie, Arbre Moteur Ø 25	Nabe Mit Scheibe, Motorwelle Ø 25	AVS (Honda)
1	22465619/0	1	Mozzo Con Puleggia, Albero Motore Ø 22.2	Hub With Pulley, Crankshaft Ø 22.2	Moyeu Avec Poulie, Arbre Moteur Ø 22.2	Nabe Mit Scheibe, Motorwelle Ø 22.2	(B&S - GGP)
2	81004134/0	1	Coltello Alettato	Blade Winged	Lame Ailette	Messer Flügel	554
3	22672111/0	2	Rondella Frizione	Clutch Washer	Rondelle Friction	Kupplungscheibe	
4	22672105/0	1	Rosetta	Washer	Rondelle	Scheibe	
5	12508120/0	1	Molla A Tazza	Cupped Spring	Ressort	Teller Feder	
6	22041940/0	1	Bussola Frizione	Clutch Bush	Douille Friction	Kupplungsscheibe	
7	12736825/0	1	Vite	Screw	Vis	Schraube	AVS
7	12736850/0	1	Vite	Screw	Vis	Schraube	
8	12139100/0	1	Linguetta, Albero Motore Ø 22.2	Feather, Crankshaft Ø 22.2	Clavette, Arbre Moteur Ø 22.2	Keil, Motorwelle Ø 22.2	(B&S - GGP)
8	12139150/0	1	Linguetta, Albero Motore Ø 25	Feather, Crankshaft Ø 25	Clavette, Arbre Moteur Ø 25	Keil, Motorwelle Ø 25	(Honda)
9	112735108/1	3	Vite	Screw	Vis	Schraube	

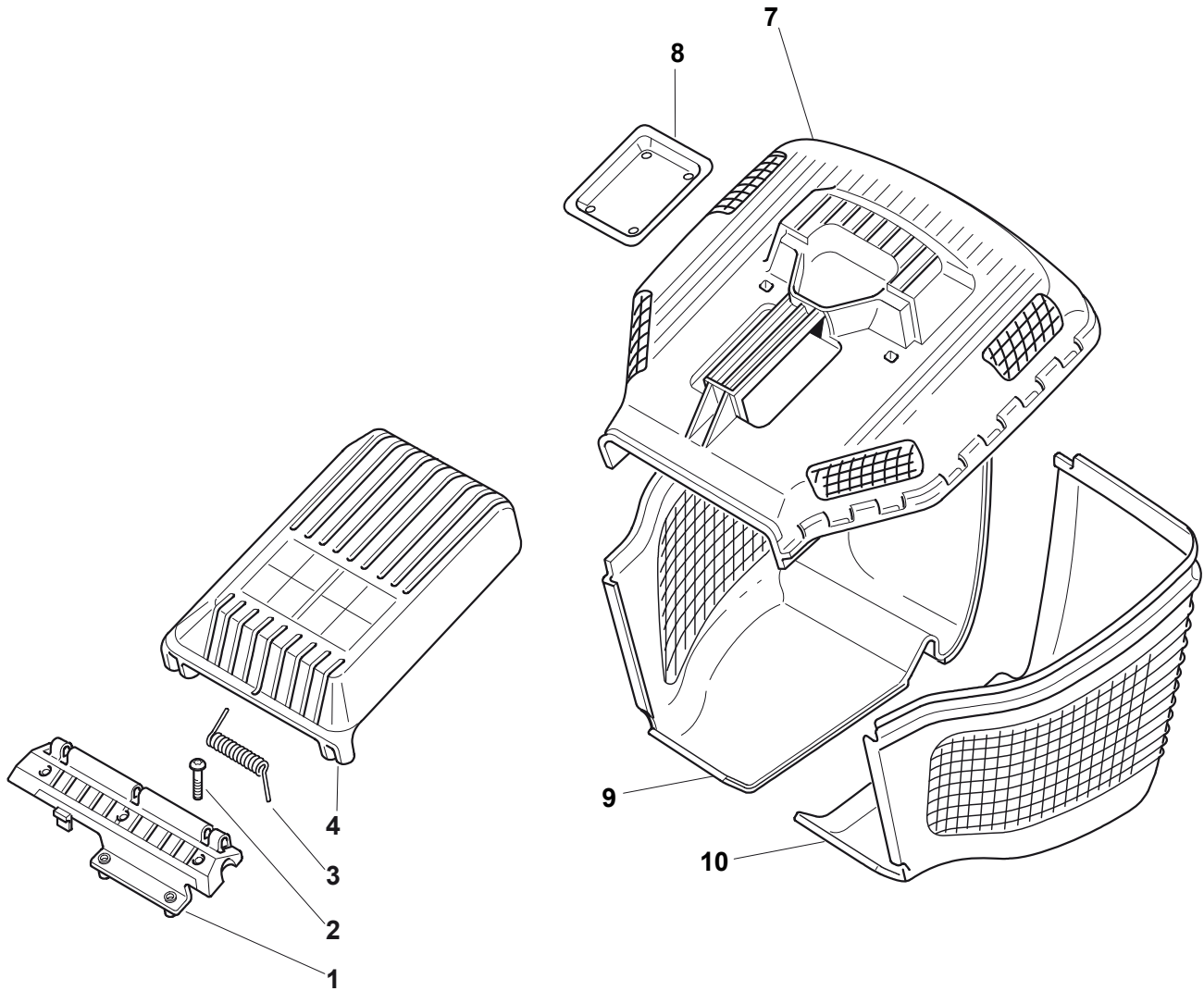




N.	CODE	Q.TY	DESCRIZIONE	DESCRIPTION	DESCRIPTION	BESCHREIBUNG	REMARK
1	122465631/0	1	Mozzo Con Puleggia, Albero Motore Ø 25	Hub With Pulley, Crankshaft Ø 25	Moyeu Avec Poulie, Arbre Moteur Ø 25	Nabe Mit Scheibe, Motorwelle Ø 25	(Honda)
1	122465636/0	1	Mozzo Con Puleggia, Albero Motore Ø 22.2	Hub With Pulley, Crankshaft Ø 22.2	Moyeu Avec Poulie, Arbre Moteur Ø 22.2	Nabe Mit Scheibe, Motorwelle Ø 22.2	AVS (B&S - GGP)
1	122465637/0	1	Mozzo Con Puleggia, Albero Motore Ø 25	Hub With Pulley, Crankshaft Ø 25	Moyeu Avec Poulie, Arbre Moteur Ø 25	Nabe Mit Scheibe, Motorwelle Ø 25	AVS (Honda)
1	22465619/0	1	Mozzo Con Puleggia, Albero Motore Ø 22.2	Hub With Pulley, Crankshaft Ø 22.2	Moyeu Avec Poulie, Arbre Moteur Ø 22.2	Nabe Mit Scheibe, Motorwelle Ø 22.2	(B&S - GGP)
2	81004134/0	1	Coltello Alettato	Blade Winged	Lame Ailetée	Messer Flügel	554
3	22672111/0	2	Rondella Frizione	Clutch Washer	Rondelle Friction	Kupplungscheibe	
4	22672105/0	1	Rosetta	Washer	Rondelle	Scheibe	
5	12508120/0	1	Molla A Tazza	Cupped Spring	Ressort	Teller Feder	
6	22041940/0	1	Bussola Frizione	Clutch Bush	Douille Friction	Kupplungsscheibe	
7	12736825/0	1	Vite	Screw	Vis	Schraube	AVS
7	12736850/0	1	Vite	Screw	Vis	Schraube	
8	12139100/0	1	Linguetta, Albero Motore Ø 22.2	Feather, Crankshaft Ø 22.2	Clavette, Arbre Moteur Ø 22.2	Keil, Motorwelle Ø 22.2	(B&S - GGP)
8	12139150/0	1	Linguetta, Albero Motore Ø 25	Feather, Crankshaft Ø 25	Clavette, Arbre Moteur Ø 25	Keil, Motorwelle Ø 25	(Honda)
9	22524329/0	3	Perno	Pin	Pivot	Bolzen	
10	22672201/0	3	Rondella	Washer	Rondelle	Scheibe	
11	22207225/0	1	Flangia, Nero	Flange, Black	Bride, Noir	Flansch, Schwarz	
12	22450445/0	1	Molla	Spring	Ressort	Feder	
13	22250012/0	3	Gommino	Grommet	Caoutchouc	Gummi	
14	22671651/0	3	Rosetta	Washer	Rondelle	Scheibe	
15	12523060/0	3	Rosetta	Washer	Rondelle	Scheibe	
16	12155000/0	3	Dado	Nut	Ecrou	Mutter	
17	12735661/0	1	Vite	Screw	Vis	Schraube	



N.	CODE	Q.TY	DESCRIZIONE	DESCRIPTION	DESCRIPTION	BESCHREIBUNG	REMARK
1	22785157/0	1	Supporto, Giallo	Support, Yellow	Support, Jaune	Halter, Gelb	
1	22785179/0	1	Supporto, Nero	Support, Black	Support, Noir	Halter, Schwarz	
2	12735664/0	3	Vite	Screw	Vis	Schraube	
3	22450443/0	1	Molla	Spring	Ressort	Feder	
4	22600068/1	1	Parasassi, Nero	Stone-Guard, Black	Pare-Pierres, Noir	Prallblech, Schwarz	
4	22600069/1	1	Parasassi, Giallo	Stone-Guard, Yellow	Pare-Pierres, Jaune	Prallblech, Gelb	
7	22486095/0	1	Sacco, Parte Sup	Grass-Box, Upper Part	Sac, Partie Superieure	Korb, Oberteil	
8	22486098/0	1	Piastrina	Plate	Plaquette	Plättchen	
11	12521460/0	2	Rosetta	Washer	Rondelle	Scheibe	
12	12728300/0	2	Vite	Screw	Vis	Schraube	
13	22608528/0	1	Rinforzo Inf	Stiffening Lower	Réinforcement Inf	Verstärkung Untere	
14	81002235/0	1	Sacco, Tela	Box, Fabric	Sac, Toile	Sack, Tuck	



N.	CODE	Q.TY	DESCRIZIONE	DESCRIPTION	DESCRIPTION	BESCHREIBUNG	REMARK
1	22785157/0	1	Supporto, Giallo	Support, Yellow	Support, Jaune	Halter, Gelb	
1	22785179/0	1	Supporto, Nero	Support, Black	Support, Noir	Halter, Schwarz	
2	12735664/0	3	Vite	Screw	Vis	Schraube	
3	22450443/0	1	Molla	Spring	Ressort	Feder	
4	22600068/1	1	Parasassi, Nero	Stone-Guard, Black	Pare-Pierres, Noir	Prallblech, Schwarz	
4	22600069/1	1	Parasassi, Giallo	Stone-Guard, Yellow	Pare-Pierres, Jaune	Prallblech, Gelb	
7	22486095/0	1	Sacco, Parte Sup	Grass-Box, Upper Part	Sac, Partie Superieure	Korb, Oberteil	
8	22486098/0	1	Piastrina	Plate	Plaquette	Plättchen	
9	22486099/0	1	Sacco, Parte Inf Dx	Grass-Box, R Lower	Sac, Partie Inferieure D	Korb, R Unterteil	
10	22486100/0	1	Sacco, Parte Inf Sx	Grass-Box, L Lower	Sac, Partie Inferieure G	Korb, L Unterteil	