

# Genuine Spare Parts

www.stiga.com

## TURBO 55 S COMBI Model Year 2010

- Use GLOBAL GARDEN PRODUCT Genuine Spare Parts specified in the parts list for repair and/or replacement.
- The contents described in the parts list may change due to improvement.
- The drawings of the spare parts are only indicative and might not represent the part in question exactly.
- The indications "right" - "left" - "front" - "rear" refer to the position of the operator when using the machine.
- When placing orders of parts for repair and/or replacement, make sure that the illustrated parts list is the one applying to the machine's year of manufacture, as shown on the identification plate attached to the machine.

COPYRIGHT by GLOBAL GARDEN PRODUCTS

All rights reserved. No part of this material may be reproduced or transmitted, in any form or by any means, electronic or mechanical, including photocopying, recording or by any information storage and retrieval system, without permission in writing from GLOBAL GARDEN PRODUCTS.

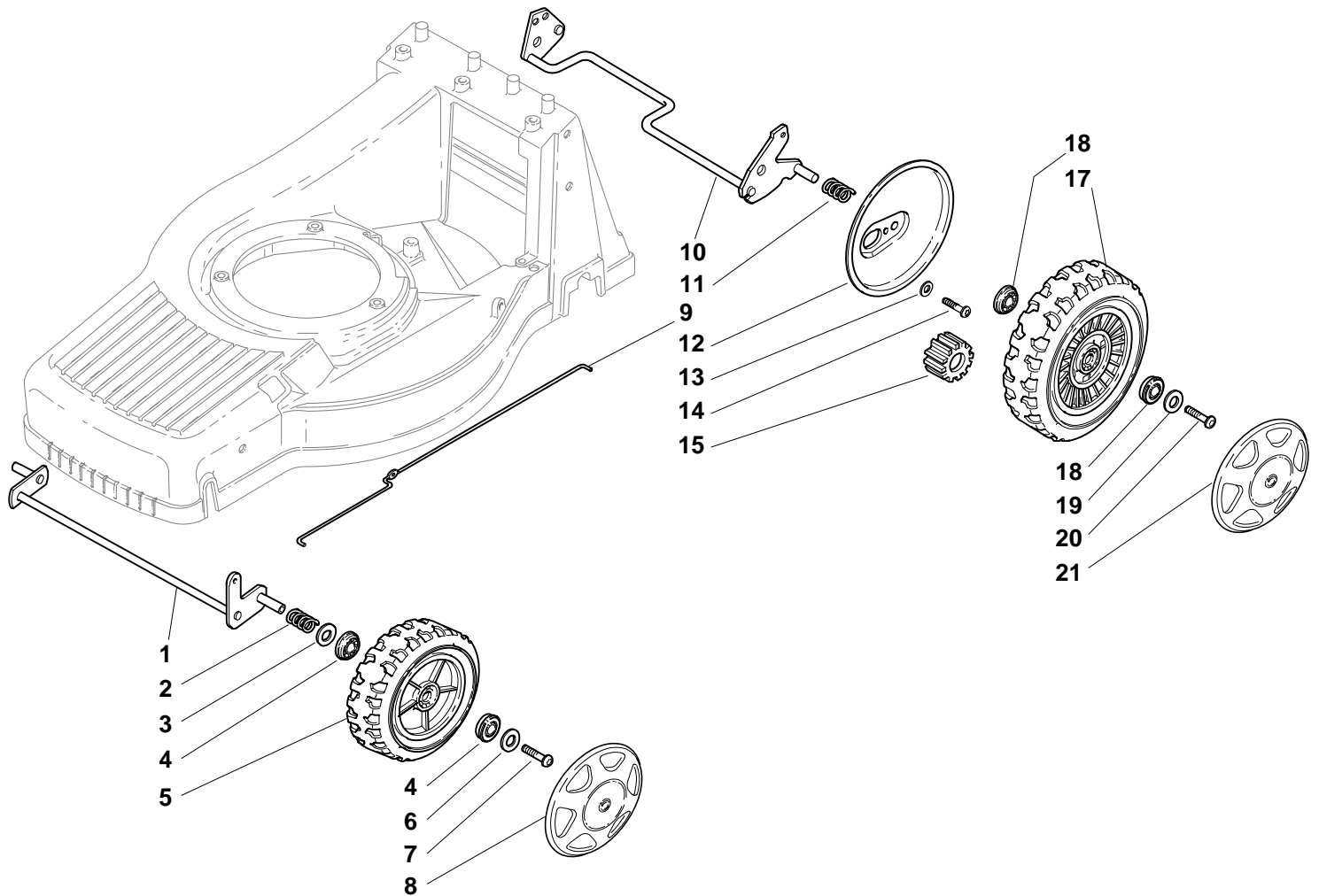




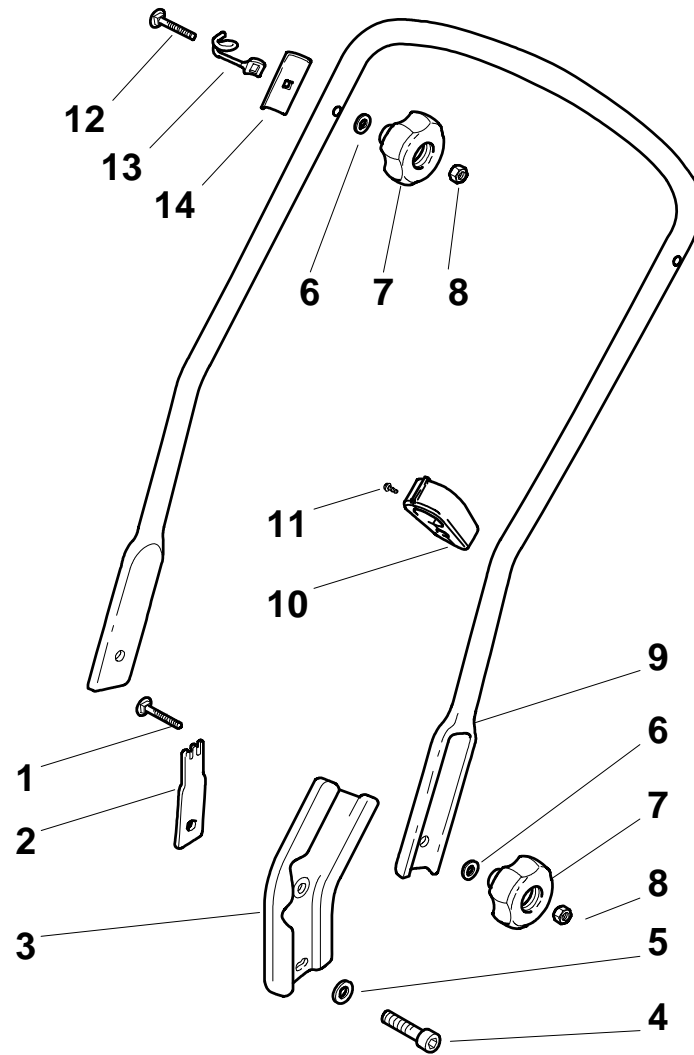


## TURBO 55 S COMBI - Model Year 2010

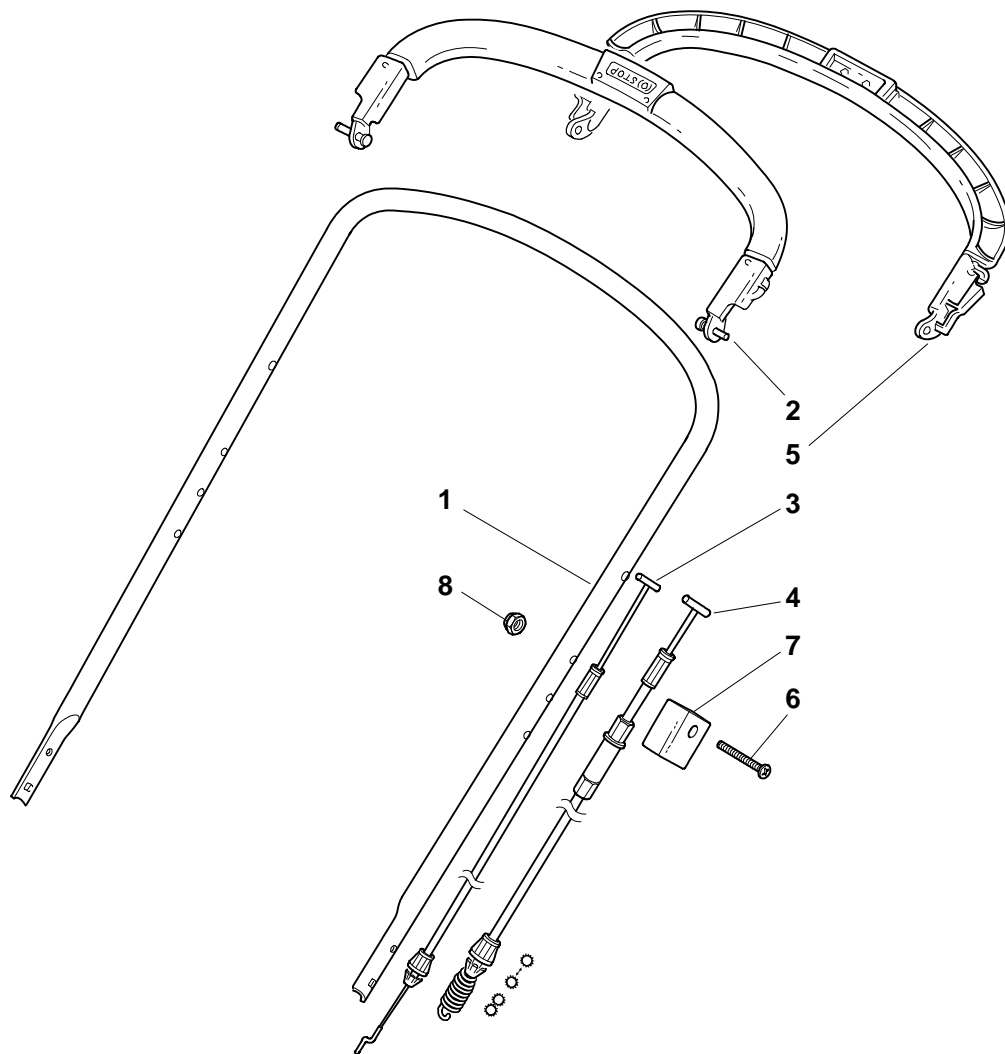
| Pos. Fig. | Antal Quantity | Art No Part No | Benämning       | Description               | Anmärkning Notes |
|-----------|----------------|----------------|-----------------|---------------------------|------------------|
| 1         | 1              | 81002660/0     | Chassi          | Deck Yellow               | 554              |
| 2         | 3              | 112735108/1    | Skruv           | Screw                     |                  |
| 3         | 1              | 22060154/0     | Kåpa-gul        | Protection, Yellow        | 554 Avs          |
| 4         | 3              | 12728300/0     | Skruv           | Screw                     |                  |
| 9         | 1              | 12728300/0     | Skruv           | Screw                     |                  |
| 10        | 1              | 22108277/0     | Bakstam         | Rear Conveyor Assy        | 504 - 554        |
| 11        | 3              | 12735664/0     | Skruv           | Screw                     |                  |
| 15        | 1              | 22109531/0     | Lock            | Cover                     |                  |
| 16        | 1              | 81008658/1     | Skruvsats       | Outfit, Supports          |                  |
| 21        | 2              | 22545160/0     | Överfall        | Plate                     |                  |
| 22        | 2              | 12735664/0     | Skruv           | Screw                     |                  |
| 23        | 2              | 12604898/0     | Låsbricka       | Crown Fastener            |                  |
| 24        | 1              | 22446181/0     | Fjäder          | Spring                    |                  |
| 25        | 2              | 22785153/0     | Bussning        | Support, Gear Box         |                  |
| 26        | 4              | 12735664/0     | Skruv           | Screw                     |                  |
| 31        | 1              | 22399808/0     | Handtag         | Knob                      |                  |
| 32        | 1              | 22321515/0     | Höjdinst.spak   | Lever, Height Adjustment  |                  |
| 33        | 2              | 12735661/0     | Skruv           | Screw                     |                  |
| 34        | 2              | 12728300/0     | Skruv           | Screw                     |                  |
| 35        | 1              | 22735563/0     | Höjdinst.sektor | Sector, Height Adjustment |                  |
| 37        | 1              | 22820055/0     | Plugg-gul       | Cap                       | 554 Avs          |
| 38        | 1              | 12604899/0     | Låsbricka       | Crown Fastener            | 554 Avs          |
| 41        | 1              | 22140232/0     | Mulchplugg      | Deflector                 |                  |

**TURBO 55 S COMBI - Model Year 2010**


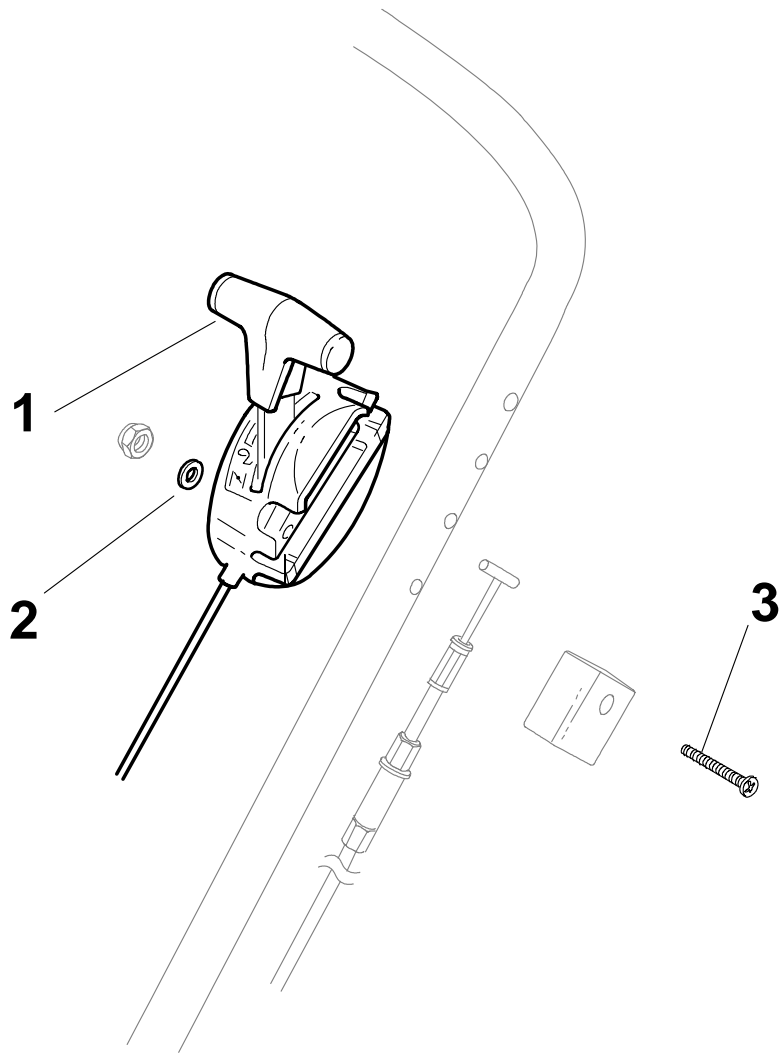
| Pos. Fig. | Antal Quantity | Art No Part No | Benämning      | Description                    | Anmärkning Notes |
|-----------|----------------|----------------|----------------|--------------------------------|------------------|
| 1         | 1              | 81002847/0     | Hjulaxel       | Axle, Front Wheels             |                  |
| 2         | 2              | 22430210/0     | Fjäder         | Spring                         |                  |
| 3         | 2              | 12521370/0     | Bricka         | Washer                         |                  |
| 4         | 4              | 22122200/0     | Kullager       | Bearing                        |                  |
| 5         | 2              | 81007351/0     | Hjul           | Wheel                          |                  |
| 6         | 2              | 12521460/0     | Bricka         | Washer                         |                  |
| 7         | 2              | 112735662/1    | Skruv          | Screw                          |                  |
| 8         | 2              | 322110388/0    | Navkapsel-gul  | Hub Cap Yellow                 |                  |
| 9         | 1              | 22033323/0     | Höjdinst.stång | Rod, Height Adjustment Control |                  |
| 10        | 1              | 81002823/0     | Hjulaxel       | Axle, Rear Wheels              |                  |
| 11        | 2              | 22430215/0     | Fjäder         | Spring                         |                  |
| 12        | 2              | 22600121/0     | Hjulskydd      | Protection, Wheel              |                  |
| 13        | 2              | 12521460/0     | Bricka         | Washer                         |                  |
| 14        | 2              | 112735662/1    | Skruv          | Screw                          |                  |
| 15        | 2              | 22570125/0     | Drev           | Pinion                         |                  |
| 16        | 2              | 19216038/0     | Lager          | Bearing                        |                  |
| 17        | 2              | 81007362/0     | Hjul           | Wheel                          |                  |
| 18        | 2              | 22122201/0     | Kullager       | Bearing                        |                  |
| 19        | 2              | 12521460/0     | Bricka         | Washer                         |                  |
| 20        | 2              | 112735662/1    | Skruv          | Screw                          |                  |
| 21        | 2              | 22110394/0     | Navkapsel      | Hub Cap                        |                  |

**TURBO 55 S COMBI - Model Year 2010**


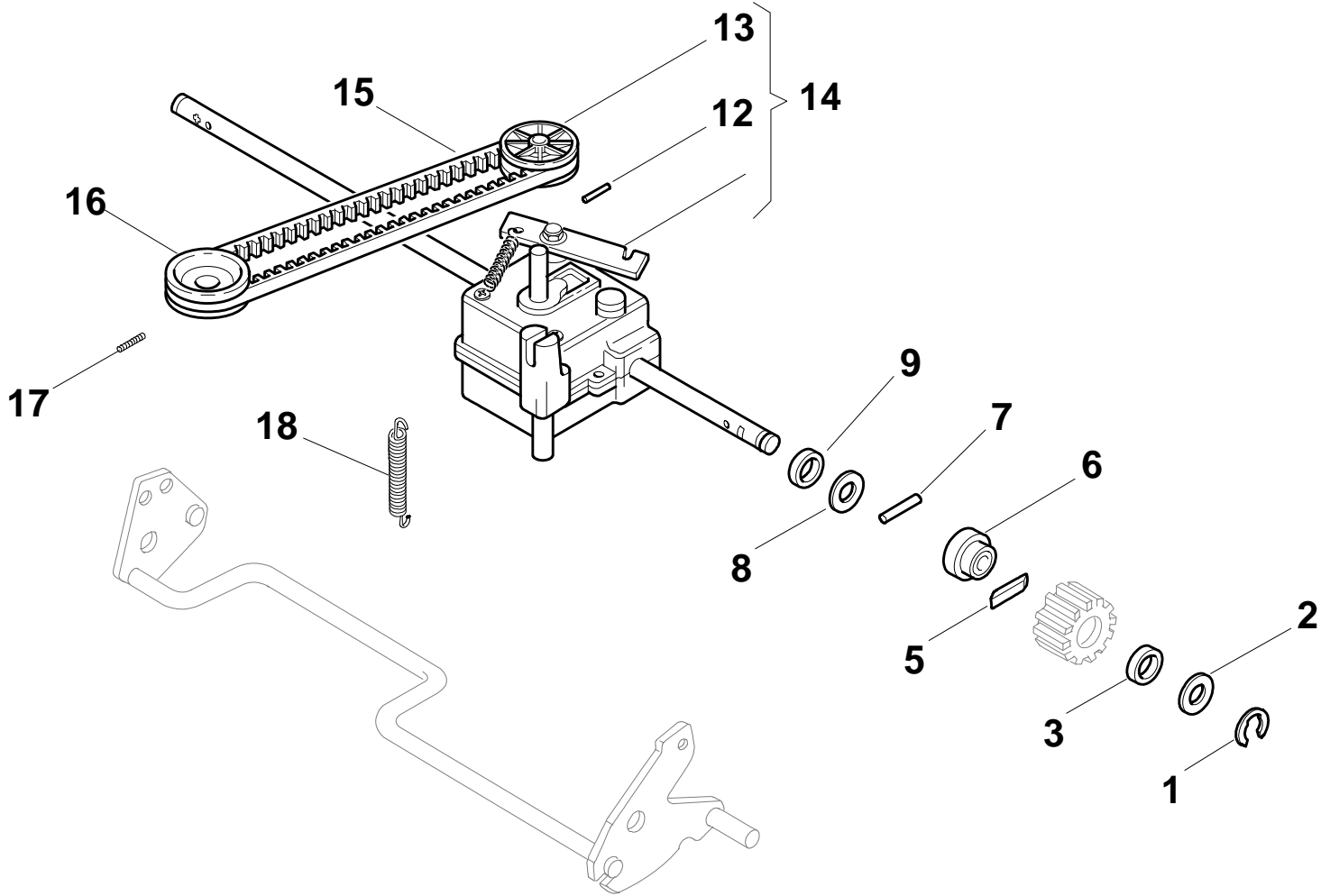
| Pos. Fig. | Antal Quantity | Art No Part No | Benämning      | Description                | Anmärkning Notes |
|-----------|----------------|----------------|----------------|----------------------------|------------------|
| 1         | 2              | 12820655/0     | Skruv          | Screw                      |                  |
| 2         | 1              | 22551635/0     | Platta         | Plate For Handle           |                  |
| 3         | 2              | 22778405/0     | Styrfäste      | Support                    |                  |
| 4         | 2              | 12760515/0     | Skruv          | Screw                      |                  |
| 5         | 2              | 12521350/0     | Bricka         | Washer                     |                  |
| 6         | 4              | 12521350/0     | Bricka         | Washer                     |                  |
| 6         | 1              | 81002239/0     | Uppsamlingsäck | Box, Fabric                |                  |
| 7         | 4              | 22399810/0     | Låsrott        | Knob                       |                  |
| 8         | 4              | 12361005/0     | Mutter         | Nut                        |                  |
| 9         | 1              | 81006613/0     | Styre-underdel | Handle, Lower Part         |                  |
| 10        | 1              | 22192001/0     | Kabelhållare   | Anchor Clamp               |                  |
| 11        | 1              | 12728691/0     | Skruv          | Screw                      |                  |
| 12        | 2              | 12820655/0     | Skruv          | Screw                      |                  |
| 13        | 1              | 22430311/0     | Ögla           | Guide Spring               |                  |
| 14        | 2              | 22545137/0     | Förstärkning   | Plate For Handle Fastening |                  |

**TURBO 55 S COMBI - Model Year 2010**


| Pos. Fig. | Antal Quantity | Art No Part No | Benämning             | Description               | Anmärkning Notes |
|-----------|----------------|----------------|-----------------------|---------------------------|------------------|
| 1         | 1              | 81006618/1     | Styre-överdel         | Handle, Upper Part        | 504 - 554        |
| 2         | 1              | 81003298/1     | Reglagebygel          | Lever, Engine Brake       |                  |
| 3         | 1              | 81000688/0     | Motorbromswire        | Cable, Thread Motor Brake |                  |
| 4         | 1              | 81000697/0     | Kopplingswire         | Cable, Rear Drive         |                  |
| 5         | 1              | 81003297/1     | Reglagebygel-drivning | Driving Lever             |                  |
| 6         | 1              | 12727783/0     | Skruv                 | Screw                     |                  |
| 7         | 1              | 22551640/0     | Wirefäste             | Plate                     |                  |
| 8         | 1              | 12154510/0     | Mutter                | Nut                       |                  |

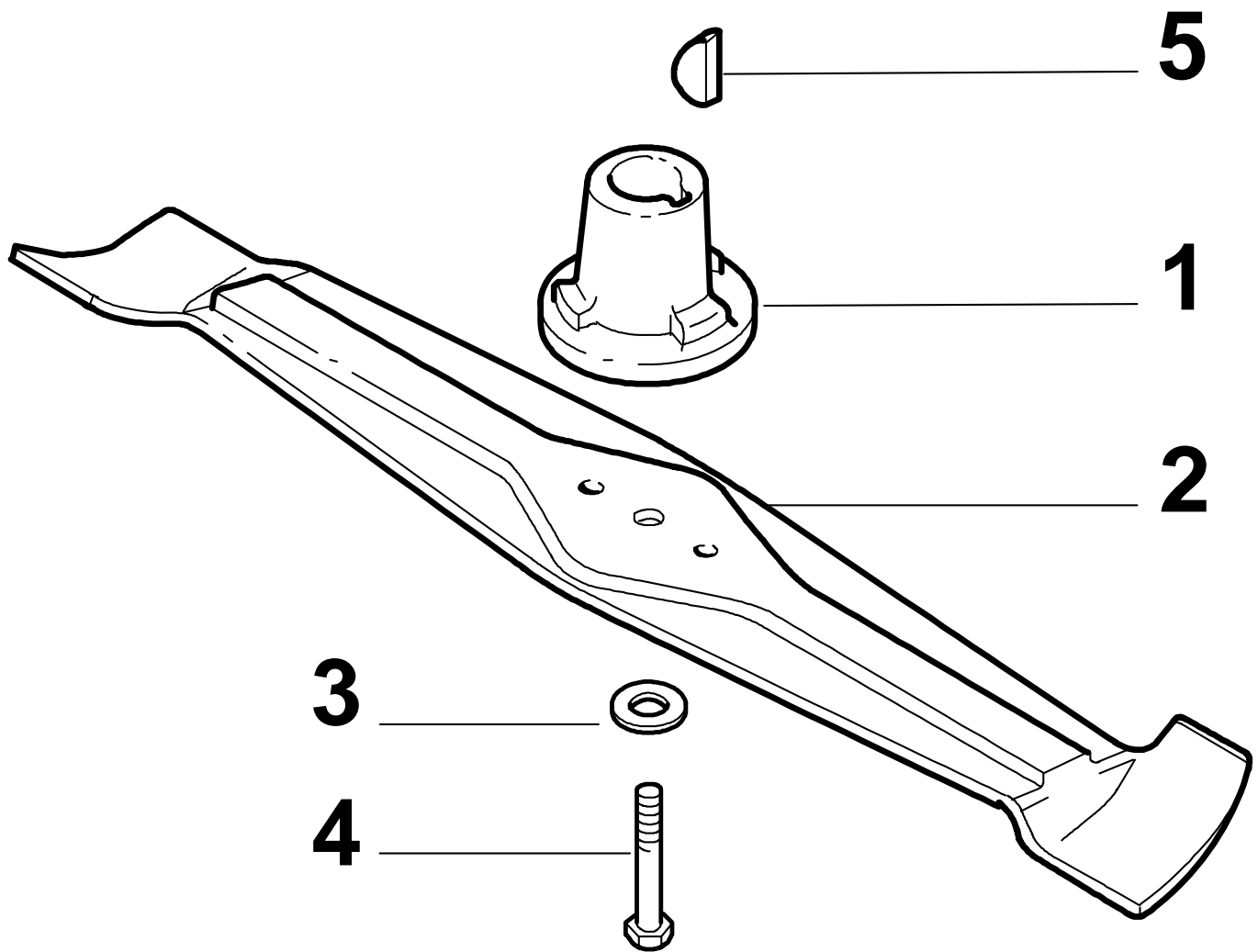


| Pos. Fig. | Antal Quantity | Art No Part No | Benämning  | Description    | Anmärkning Notes |
|-----------|----------------|----------------|------------|----------------|------------------|
| 1         | 1              | 81007126/0     | Gasreglage | Cable, Trottle | (Honda)          |
| 2         | 1              | 12523040/0     | Bricka     | Washer         |                  |
| 3         | 1              | 12727787/0     | Skruv      | Screw          |                  |

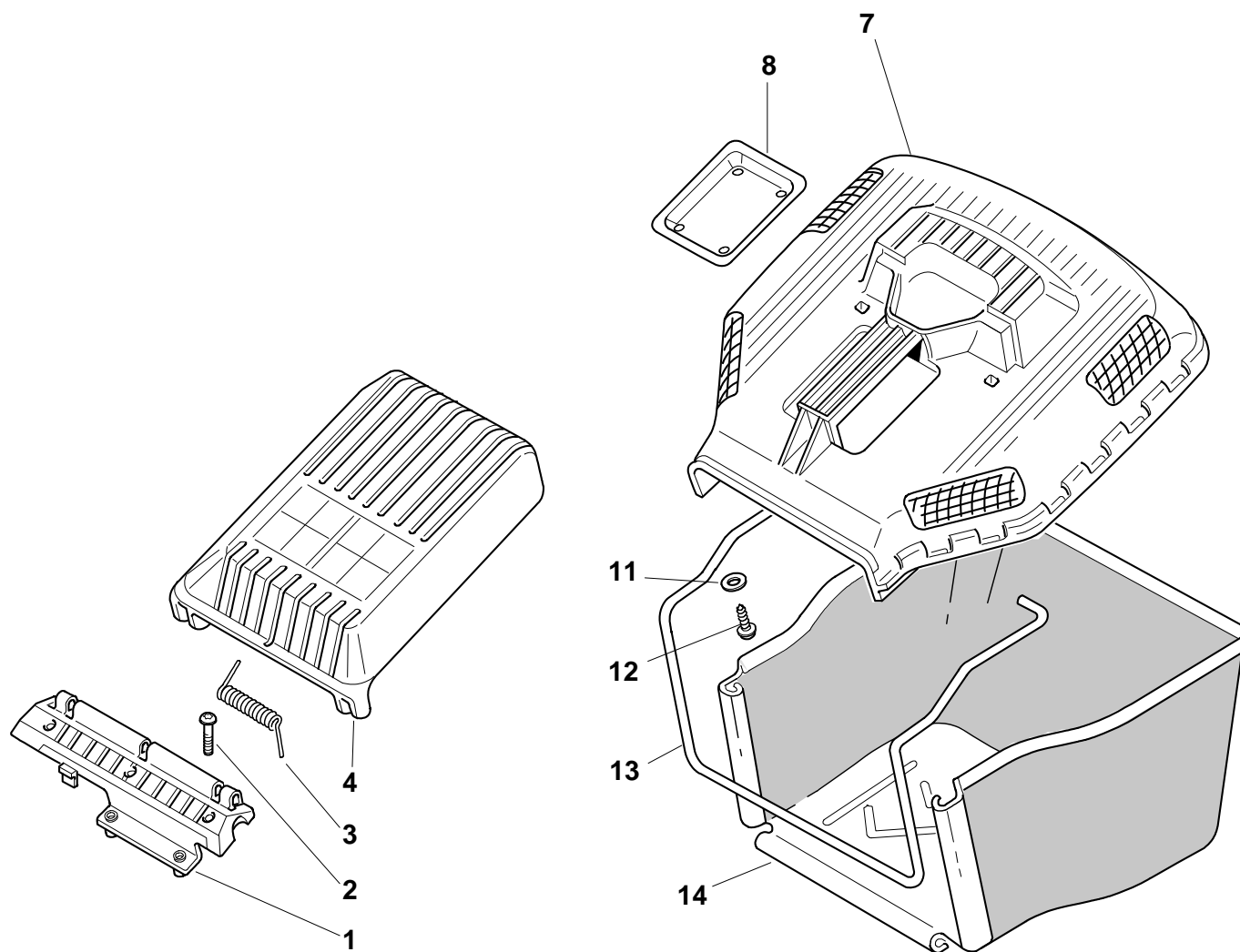


| Pos. Fig. | Antal Quantity | Art No Part No | Benämning    | Description | Anmärkning Notes |
|-----------|----------------|----------------|--------------|-------------|------------------|
| 1         | 2              | 12000957/0     | Låsring      | Benzing     |                  |
| 2         | 2              | 12520032/0     | Bricka       | Washer      |                  |
| 3         | 2              | 22160520/0     | Dammskydd    | Dust Cover  |                  |
| 5         | 2              | 22076645/0     | Kil          | Key         |                  |
| 6         | 2              | 22170630/0     | Distans      | Spacer      |                  |
| 7         | 2              | 22753002/0     | Stift        | Pin         |                  |
| 8         | 2              | 12520032/0     | Bricka       | Washer      |                  |
| 9         | 2              | 19035152/0     | Tätningring  | Or Ring     |                  |
| 12        | 1              | 12620310/0     | Stift        | Pin         |                  |
| 13        | 1              | 22601913/0     | Remskiva     | Pulley      |                  |
| 14        | 1              | 81003085/0     | Transmission | Gear Box    | 504 - 554        |
| 14        | 1              | 81003085/0     | Transmission | Gear Box    |                  |
| 15        | 1              | 35063175/0     | Drivrem      | Belt        | 504              |
| 15        | 1              | 35063175/0     | Drivrem      | Belt        |                  |
| 16        | 1              | 122601921/0    | Remskiva     | Pulley      |                  |
| 17        | 1              | 12714312/0     | Stift        | Dowel       |                  |
| 18        | 1              | 22450434/0     | Fjäder       | Spring      |                  |





| Pos. Fig. | Antal Quantity | Art No Part No | Benämning | Description | Anmärkning Notes |
|-----------|----------------|----------------|-----------|-------------|------------------|
| 1         | 1              | 122465630/0    | Knivfäste | Hub         | 554              |
| 2         | 1              | 81004144/0     | Kniv      | Blade       |                  |
| 3         | 1              | 12530140/0     | Bricka    | Washer      |                  |
| 4         | 1              | 12735698/0     | Skruv     | Screw       |                  |
| 5         | 1              | 12139150/0     | Kil       | Key         |                  |



| Pos. Fig. | Antal Quantity | Art No Part No | Benämning          | Description           | Anmärkning Notes |
|-----------|----------------|----------------|--------------------|-----------------------|------------------|
| 1         | 1              | 22785157/0     | Luckfäste-gul      | Support, Yellow       | 504-554          |
| 2         | 3              | 12735664/0     | Skruv              | Screw                 |                  |
| 3         | 1              | 22450443/0     | Fjäder             | Spring                |                  |
| 4         | 1              | 22600069/1     | Lucka              | Stone-Guard, Yellow   | 504-554          |
| 7         | 1              | 22486095/0     | Uppsamlare-överdel | Grass-Box, Upper Part | 504-554          |
| 8         | 1              | 22486098/0     | Platta             | Plate                 |                  |
| 11        | 2              | 12521460/0     | Bricka             | Washer                |                  |
| 12        | 2              | 12728300/0     | Skruv              | Screw                 |                  |
| 13        | 1              | 22608528/0     | Trådbygel          | Stiffening Lower      | 504-554          |
| 14        | 1              | 81002235/0     | Uppsamlingsäck     | Box, Fabric           | 504-554          |