



## **Reservdelskatalog Parts Catalogue**

# **TWINCLIP 55 SEQ B**

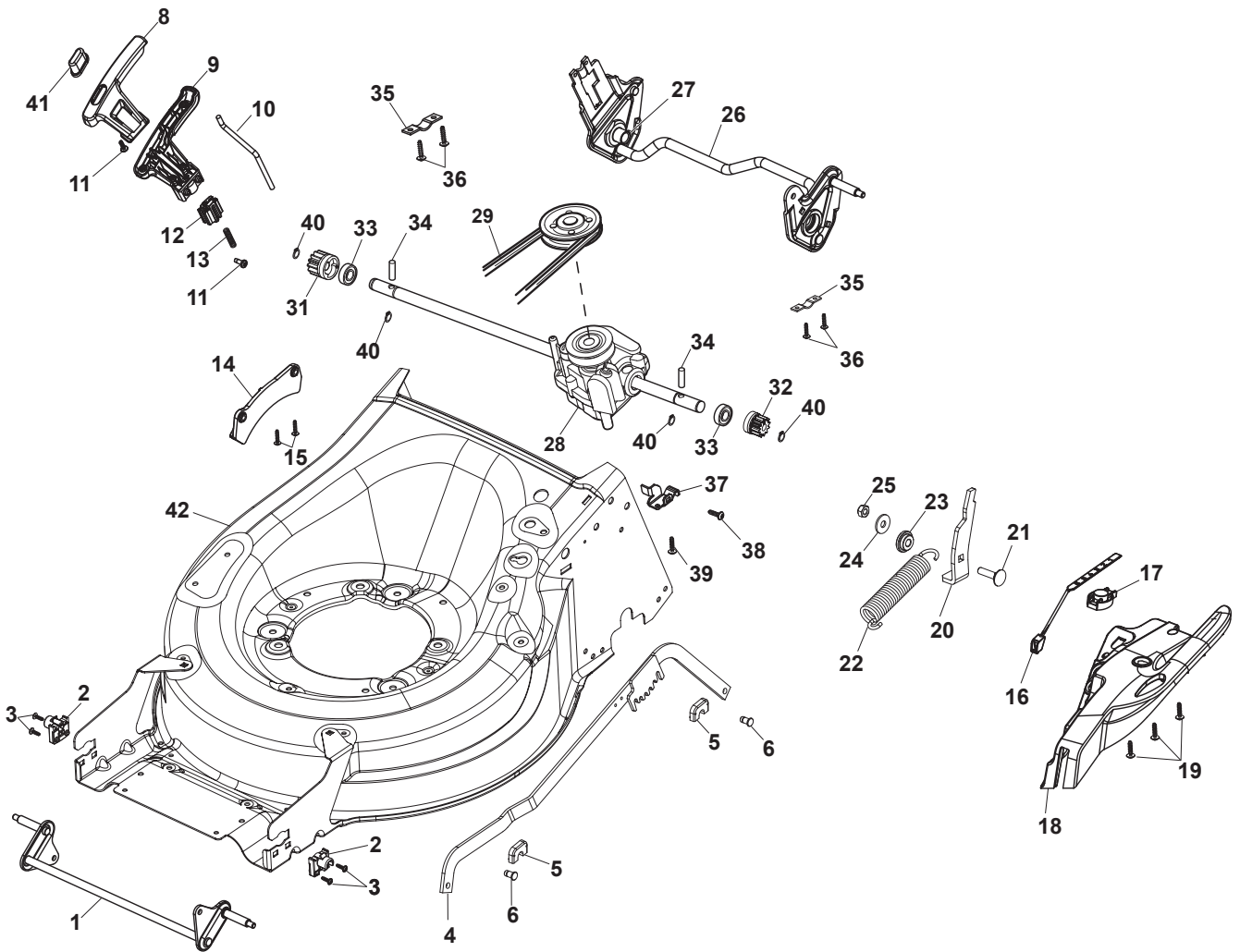
**294562528/S16 - Season 2016**

- Use GLOBAL GARDEN PRODUCT Genuine Spare Parts specified in the parts list for repair and/or replacement.
  - The contents described in the parts list may change due to improvement.
  - The drawings of the spare parts are only indicative and might not represent the part in question exactly.
  - The indications "right" - "left" - "front" - "rear" refer to the position of the operator when using the machine.
- When placing orders of parts for repair and/or replacement, make sure that the illustrated parts list is the one applying to the machine's year of manufacture, as shown on the identification plate attached to the machine.

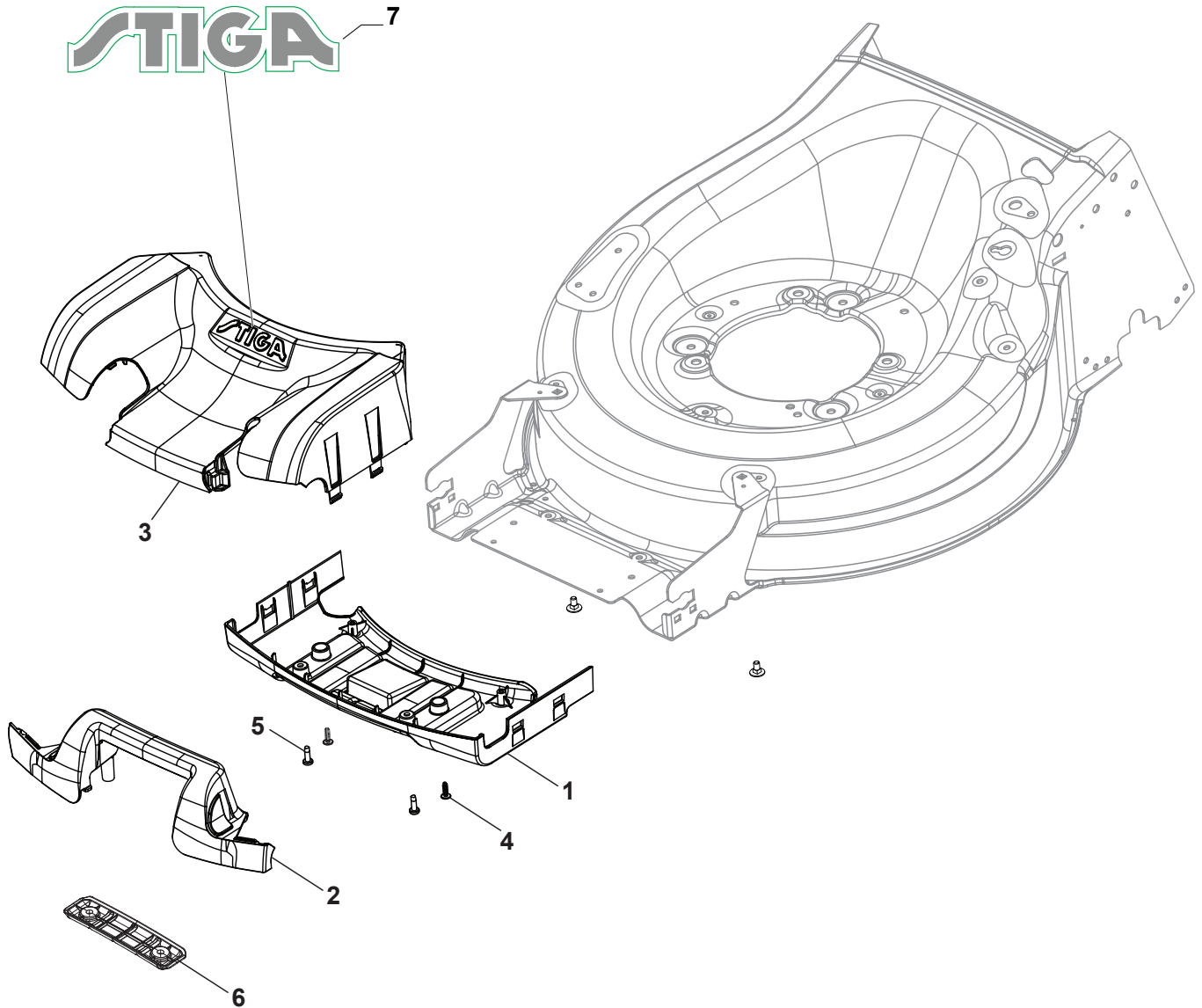
© Copyright 2016 Global Garden Products

All rights reserved. No part of this material may be reproduced or transmitted, in any form or by any means, electronic or mechanical, including photocopying, recording or by any information storage and retrieval system, without permission in writing from GLOBAL GARDEN PRODUCTS.

[www.stiga.com](http://www.stiga.com)

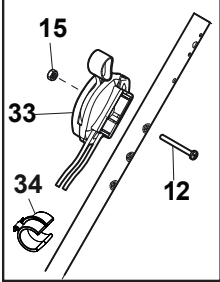


Utgåva Issue 2 - 2016		Kapa och höjdställning		Deck And Height Adjusting	
Pos. Fig.	Antal Q.ty	Art nr Part No	Benämning	Description	Anmärkning Notes
1	1	381302903/0	Hjulaxel-fram	Axle, Front Wheels	
2	2	322785305/1	Stöd	Support	
3	4	112728697/0	Skruv	Screw	
4	1	322869693/1	Höjdställningsspak	Wheels Control Rod	
5	2	112436051/0	Plat	Plate	
6	2	122519823/0	Stift	Pin	
8	1	322394534/0	Handtag	Upper Handle	Black
9	1	322394535/0	Handtag	Lower Handle	Black and Yellow
10	1	322869723/0	Stötstång	Rod	
11	6	112728697/0	Skruv	Screw	
12	1	322109580/0	Höjdställningsslid	Slide	
13	1	122450484/0	Fjäder	Spring	
14	1	322735592/0	Höjdställningssegment	Sector, Height Adjustment	
15	2	9943-0516-16	Skruv	Screw	
16	1	322602031/0	Låsplatta	Position Plate	
17	1	322602027/0	Lins	Lens	
18	1	322055335/0	Hus	Deck, Adjustment	
19	3	112728699/0	Skruv	Screw	
20	1	322778475/0	Fäste	Bracket	
21	1	112815270/0	Skruv	Screw	
22	1	122450480/0	Fjäder	Spring	
23	1	122517873/0	Stift	Pin	
24	1	112523040/0	Bricka	Washer	
25	1	112154510/0	Mutter	Nut	
26	1	381302905/0	Hjulaxel-bakre	Rear Wheel Axle	
27	2	322038407/0	Bussning	Brass	
28	1	181003118/0	Växellåda	Gear Box	
29	1	135063902/0	Drivrem	Belt	
30	1	122450478/0	Fjäder	Spring	
31	1	122570110/1	Drev	Pinion Right	
32	1	122570120/1	Drev	Pinion Left	
33	2	119216035/0	Lager	Bearing	
34	2	122753000/0	Spännstift	Pin	
35	2	322545147/0	Plat	Plate	
36	4	9943-0516-16	Skruv	Screw	
37	1	322778489/0	Plåt	Plate	
38	1	112735664/0	Skruv	Screw	
39	1	9943-0516-16	Skruv	Screw	
40	4	112608600/0	Segersäkringsåkring Sga12	Seeger	
41	1	322602029/0	Knapp	Button	
42	1	381004836/0	Chassi-Grå   Chassi-gra	Grey Deck	

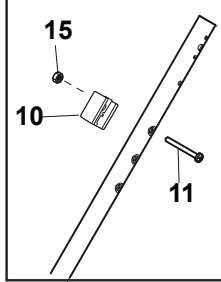


Utgåva Issue 2 - 2016		Mask Mask, Frontal Basic Version			
Pos. Fig.	Antal Q.ty	Art nr Part No	Benämning	Description	Anmärkning Notes
1	1	322500113/0	Luftintag	Front Combi	
2	1	381393704/0	Handtag   Knopp	Handle	
3	1	322226241/0	Plastfront gra   Frontkapa, Gra	Mask, Grey	
4	2	112728697/0	Skruv	Screw	
5	2	112728699/0	Skruv	Screw	
6	1	322393756/0	Handtag-Främre	Front Handle	
7	1	114367494/2	Dekal STIGA logo	Label STIGA logo	

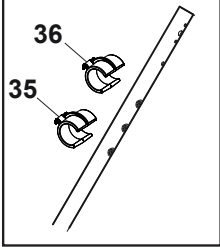
**Throttle Cable**



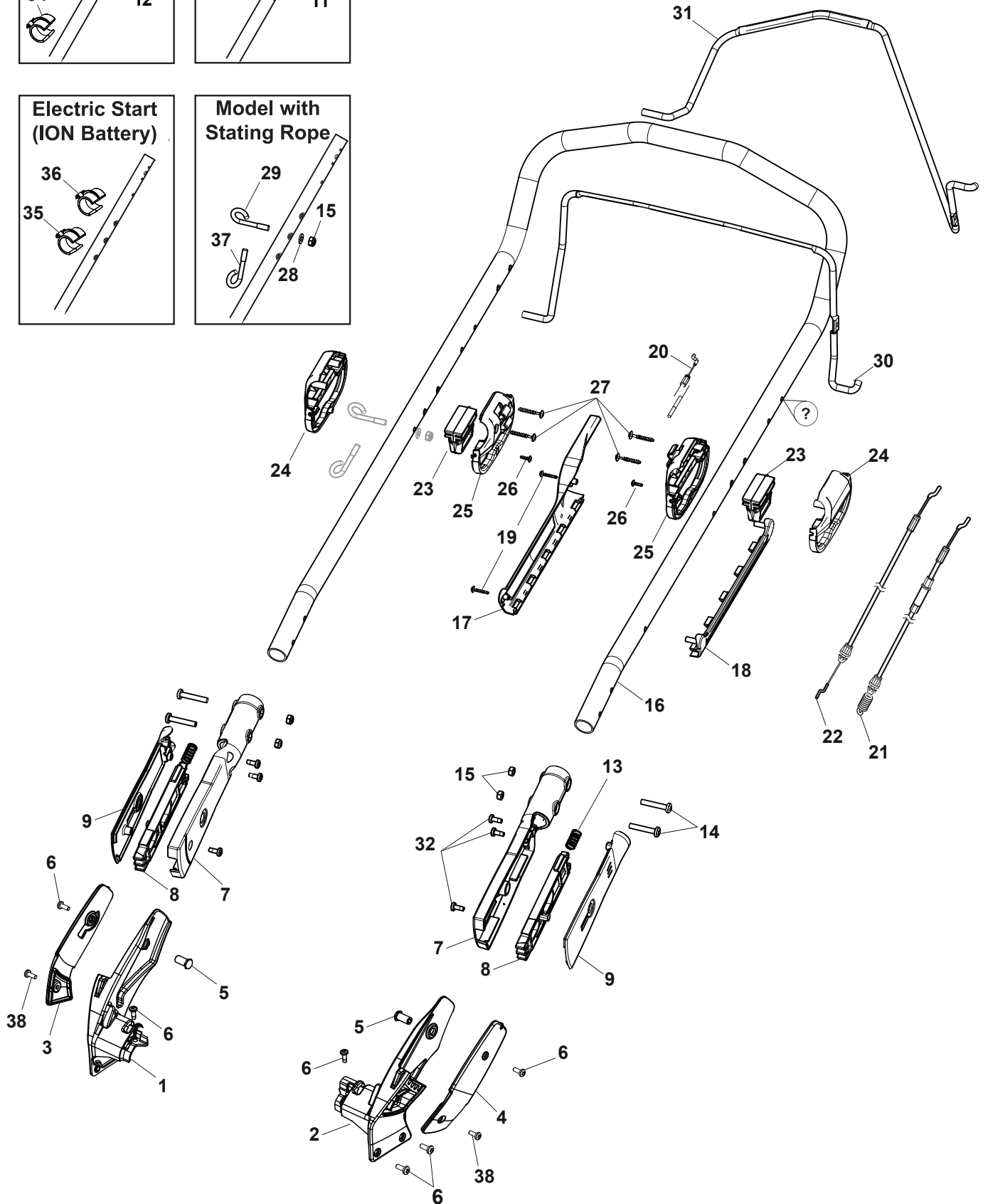
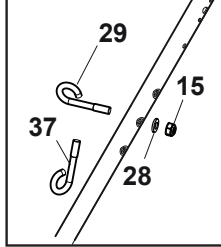
**FIX rpm**



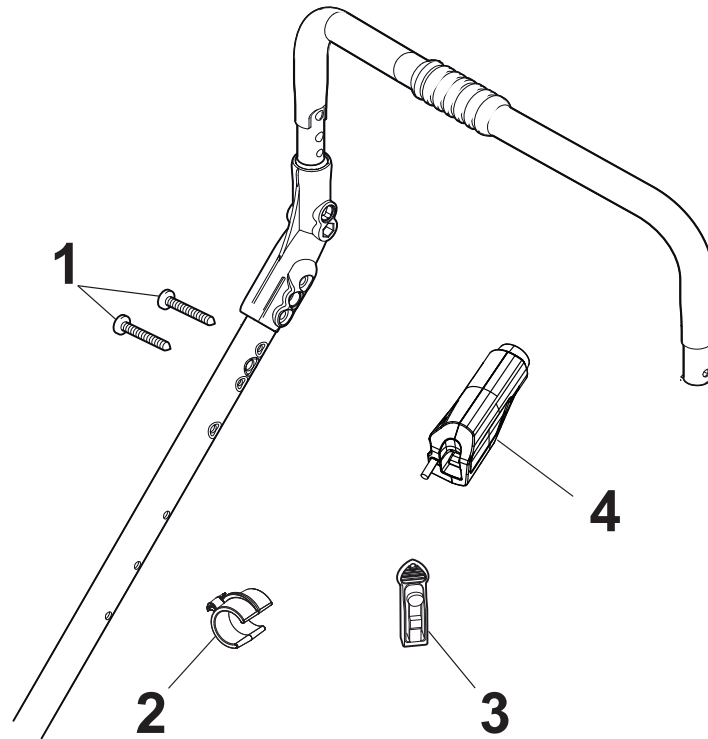
**Electric Start  
(ION Battery)**



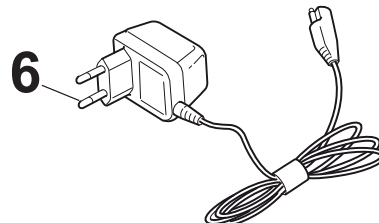
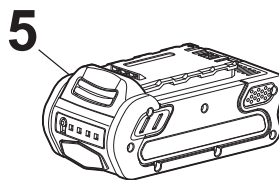
**Model with  
Stating Rope**



Utgåva Issue 2 - 2016		Kaross/Handreglage, övre		Chassis/Handle, Upper Part	
Pos. Fig.	Antal Q.ty	Art nr Part No	Benämning	Description	Anmärkning Notes
1	1	381005219/0	Fäste-hö	Right Bracket	
2	1	381005221/0	Fäste-vä	Left Bracket	
3	1	381005223/0	Kapa-hö	Cover, Right	
4	1	381005225/0	Kapa-vä	Cover, Left	
5	2	122517885/0	Stift	Pin	
6	10	112735664/0	Skruv	Screw	
7	2	381005227/0	Cursor Guide	Cursor Guide	
8	2	322246106/0	Cursor	Cursor	
9	2	381005229/0	Cursor Guide	Cursor Guide	
10	1	322551639/0	Plat	Fixed Plate	
11	1	112727784/0	Skruv	Screw	for FIX rpm
12	1	112727786/0	Skruv	Screw	for Throttle Cable
13	2	125430202/0	Fjäder	Spring	
14	4	112727799/0	Skruv	Screw	
15	6	112154510/0	Mutter	Nut	
16	1	381007578/0	Styre-överdel	Handle, Upper Part	
17	1	322806650/0	Internal Handtagsstöd	Support, Internal	
18	1	322806651/0	Handtagsstöd	Support, External	
19	2	112728713/0	Skruv	Screw	
20	2	381030123/0	Cable Com. Cursor. Assy	Cable Com. Cursor. Assy	
21	1	381030118/0	Kopplingswire	Clutch Cable	
22	1	181030087/0	Motorbromswire	Cable, Thread Engine Brake	
23	2	322394540/0	Spak	Lever	
24	2	322722821/0	Extern Skydd	External Protection	
25	2	322722820/0	Intern Skydd	Internal Protection	
26	2	112728696/0	Skruv	Screw	
27	2	9838-9530-12	Skruv	Screw	
28	1	112521330/0	Bricka	Washer	
29	1	122430313/0	Fjäder	Guide Spring	for models without electric start
30	1	181003490/0	Reglagebygel	Lever, Engine Brake	
31	1	181003491/0	Spak Handtag	Drive Control Lever	
32	1	112735651/0	Skruv	Screw	
33	1	181005540/0	Gasreglage	Throttle Cable	
34	1	118390020/0	Vajerhallare	Fairlead	
35	1	118390020/0	Vajerhallare	Conduit Clip	for electric start engine (ION Battery)
36	1	133320504/0	Kabalfäste	Fairlead	for electric start engine (ION Battery)
37	1	122430318/0	Fjäder	Guide Spring	for models without electric start
38	2	112735660/0	Skruv	Screw	

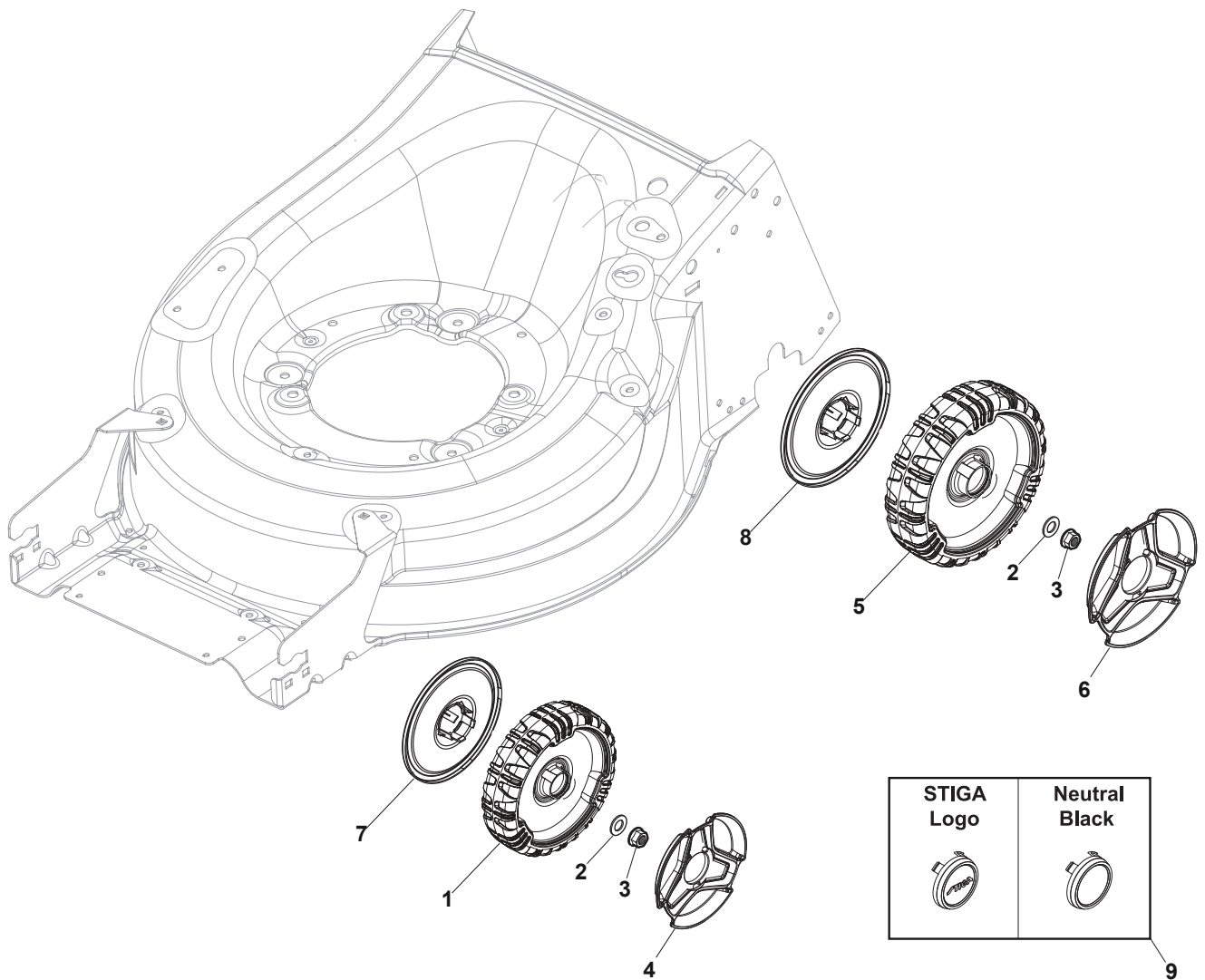


Battery for B&S 675-775 IS (fix RPM)

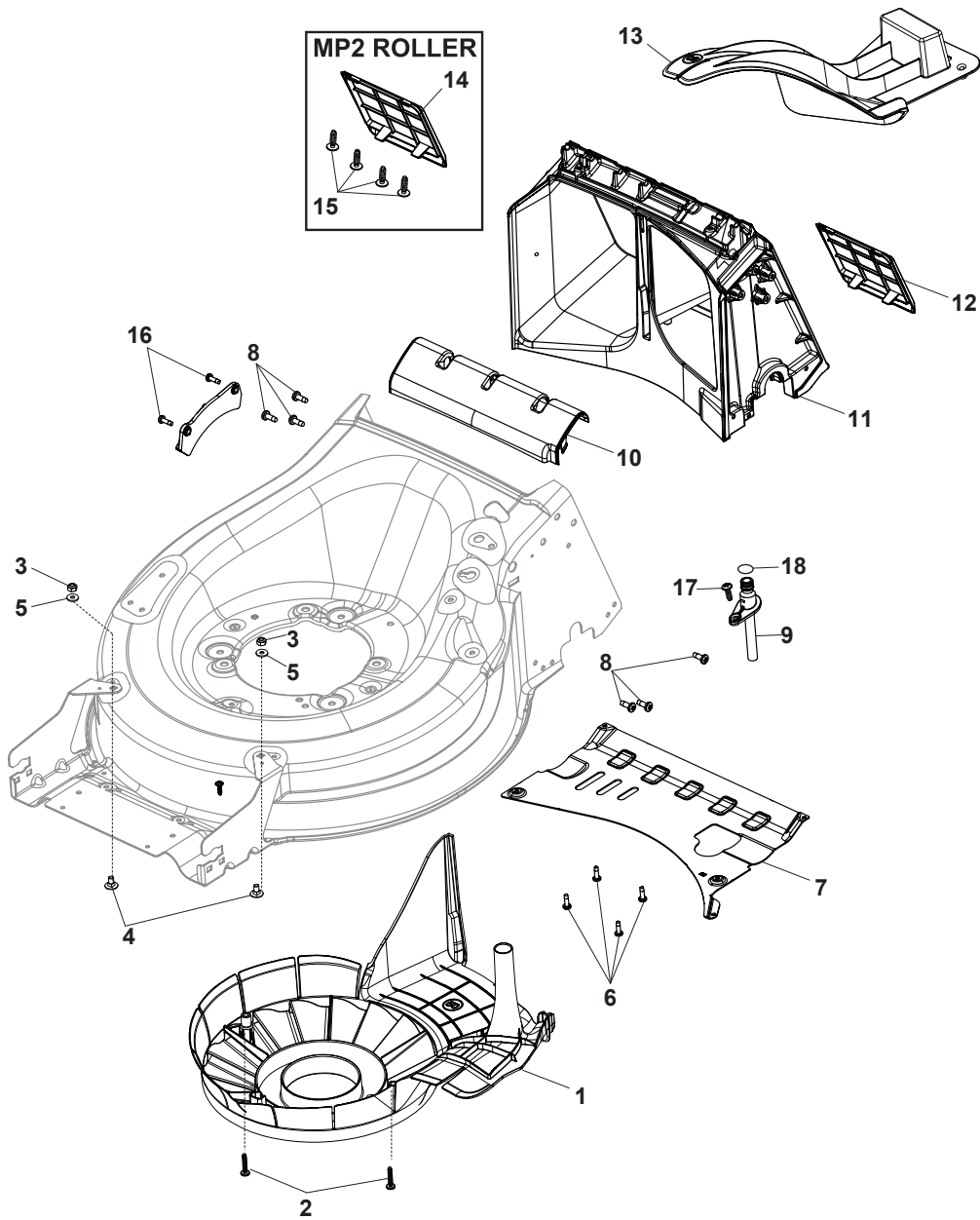




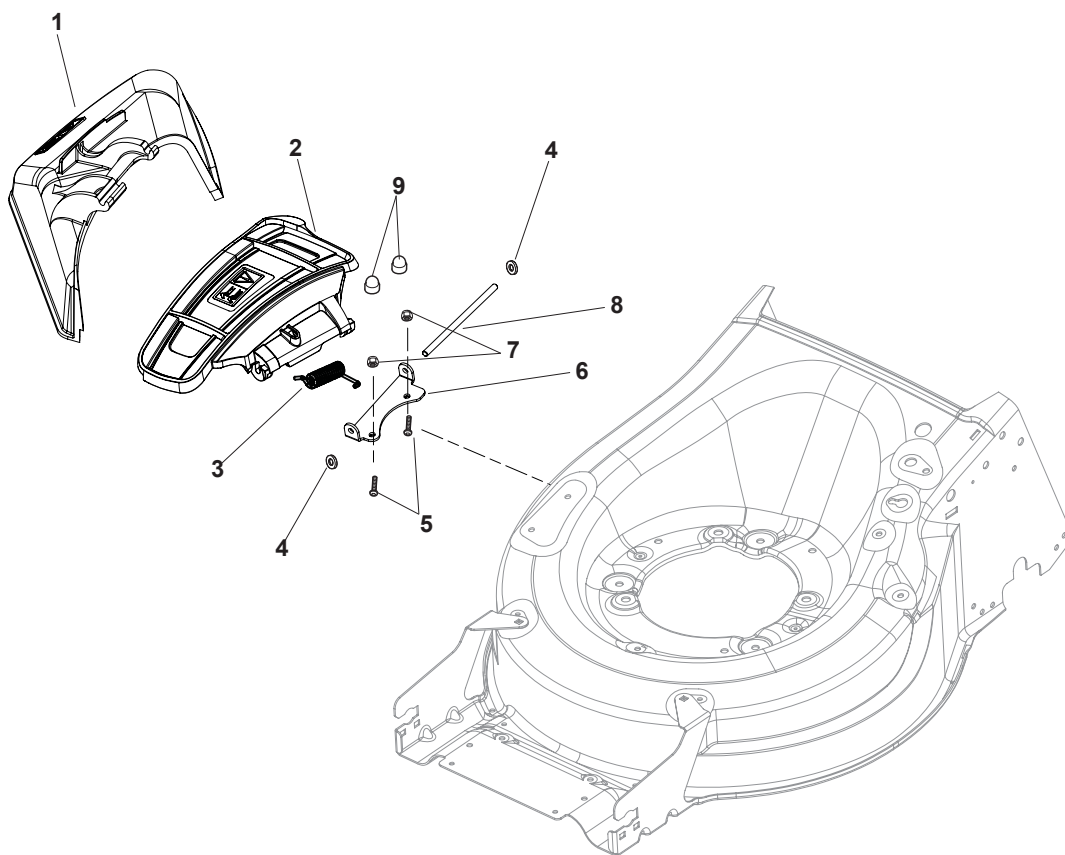
Utgåva Issue 2 - 2016		Electric Start Controls		Electric Start Controls	
Pos. Fig.	Antal Q.ty	Art nr Part No	Benämning	Description	Anmärkning Notes
1	1	112728300/0	Skruv	Screw	with Varietor
1	1	112728702/0	Skruv	Screw	without Varietor
2	1	133320022/0	Klämma	Fastpoint Clamp Art.0384.Aa01	
3	1	322076570/1	Batterisäkerhetsnyckel	Battery Safety Key	
4	1	381600400/0	Brytare	Switch	
5	1	118120061/0	Batteri	Battery	
6	1	118204136/0	Batteriladdare	Battery Charger	CE plugg
6	1	118204137/0	Batteriladdare	Battery Charger	UK plugg



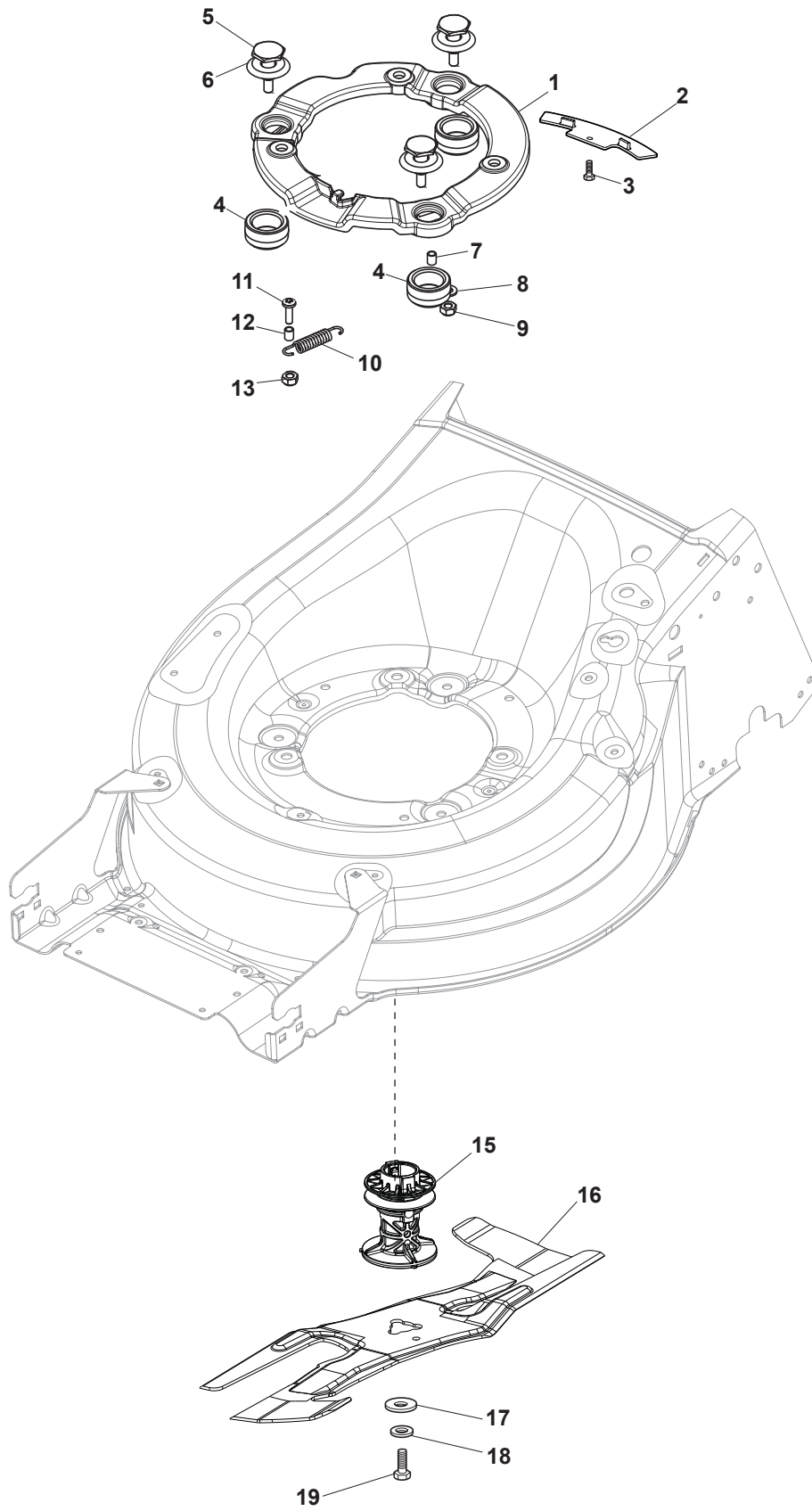
Utgåva Issue 2 - 2016		Hjul och navkapsel Wheel and Hub Cap			
Pos. Fig.	Antal Q.ty	Art nr Part No	Benämning	Description	Anmärkning Notes
1	2	381007498/0	Hjul	Wheel	Plastic Wheel
2	2	112521350/0	Bricka	Washer	
3	2	112155000/0	Mutter	Nut	
4	2	322110796/0	Navkapsel Gra	Hub Cap Grey	Grey
5	2	381007801/0	Hjul	Wheel	Plastic Wheel
6	2	322110797/0	Navkapsel Gra	Hub Cap Grey	Grey
7	2	322600334/0	Hjulskydd	Protection, Wheel	
8	2	322600333/0	Hjulskydd	Protection, Wheel	
9	4	322110798/0	Navkapsel Gra	Hub Cap Grey	with STIGA Logo



Utgåva Issue 2 - 2016		Remskydd Protection, Belt			
Pos. Fig.	Antal Q.ty	Art nr Part No	Benämning	Description	Anmärkning Notes
1	1	322060271/1	Mulchingplugg	Carter Mulching	
2	1	112728697/0	Skruv	Screw	
3	2	112154510/0	Mutter	Nut	
4	2	112815205/0	Skruv	Screw	
5	2	112521330/0	Bricka	Washer	
6	4	112735654/0	Skruv	Screw	
7	1	322778497/0	Hus-nedre	Lower Case	
8	6	112735664/0	Skruv	Screw	
9	1	322034006/0	Tvättanslutning	Washing Connection	
10	1	322109578/0	Stenskyddsfäste grå	Stone-Guard Support, Grey	
11	1	381004825/0	Conveyor	Conveyor	
12	1	322600310/0	Rear door	Rear door	
13	1	322140248/0	Deflektor	Deflector	
14	1	322108320/0	Rear door	Rear door	Only for Roller Version
15	4	112728210/0	Skruv	Screw	Only for Roller Version
16	2	112735645/0	Skruv	Screw	
17	1	119035000/0	O-Ring	Or Ring	
18	1	112728697/0	Skruv	Screw	

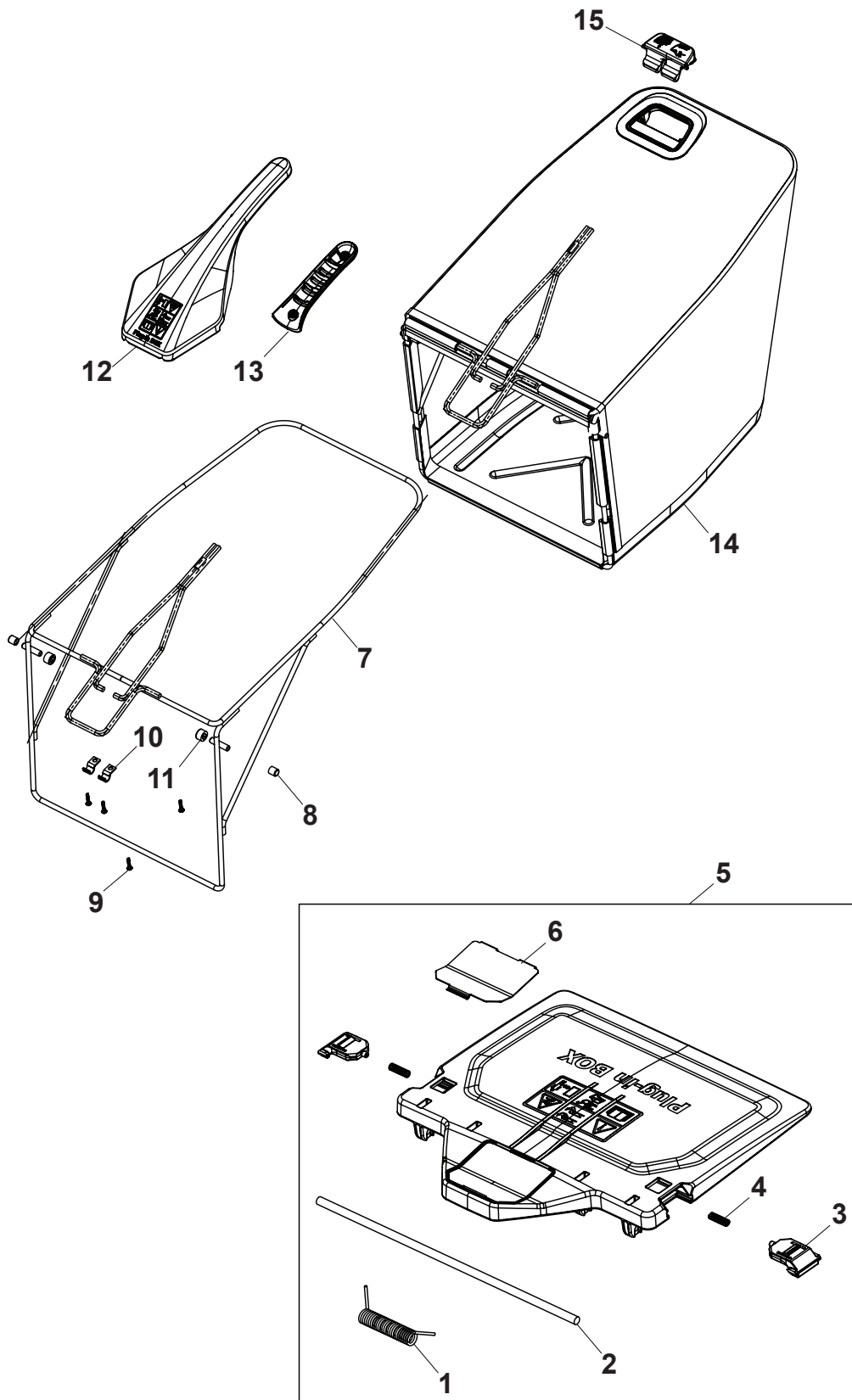


Utgåva Issue 2 - 2016		Utkastskydd Ejection-Guard			
Pos. Fig.	Antal Q.ty	Art nr Part No	Benämning	Description	Anmärkning Notes
1	1	322108315/0	Conveyor	Conveyor	
2	1	322600309/0	Lucka - svart	Stone Guard, Black	
3	1	122450456/0	Fjäder	Spring	
4	2	112604896/0	Starlock P6493 6	Crown Fastener	
5	2	112727803/0	Skruv	Screw	
6	1	322806639/0	Fäste	Fulcrum Pin	
7	2	112154510/0	Mutter	Nut	
8	1	122517869/1	Stift	Pin	
9	2	118203853/0	Lock	Cap	





Utgåva Issue 2 - 2016		Kniv Blade			
Pos. Fig.	Antal Q.ty	Art nr Part No	Benämning	Description	Anmärkning Notes
1	1	381207230/0	Fläns	Flange	
2	1	322551536/0	Bygel	Plate	
3	1	112728210/0	Skruv	Screw	
4	3	322250014/0	Gummi	Rubber	
5	3	122519816/0	Stift	Pin	
6	3	322672201/0	Bricka	Washer	
7	3	122170850/0	Distans.	Spacer	
8	3	112521350/0	Bricka	Washer	
9	3	112155000/0	Mutter	Nut	
10	1	122450439/0	Fjäder	Spring	
11	1	112727801/0	Skruv	Screw	
12	1	122170846/0	Distans	Spacer	
13	1	112154510/0	Mutter	Nut	
15	1	122465638/1	Knivfäste D.22	Blade Hub D.22	
16	1	181004417/0	Kniv	Blade	
17	1	122160400/0	Fjäderbricka	Elastic Disc	
18	1	112523080/0	Bricka	Elastic Washer	
19	1	112736815/0	Skruv	Screw	



Utgåva Issue 2 - 2016		Gräsuppsamlare Grass-Catcher			
Pos. Fig.	Antal Q.ty	Art nr Part No	Benämning	Description	Anmärkning Notes
1	1	122450485/0	Fjäder	Spring	
2	1	122517884/0	Stift	Pin	
3	2	322109579/0	Fäste	Support	
4	2	122450482/0	Fjäder	Spring	
5	1	381008155/0	Lucka - svart	Stone Guard, Black	
6	1	322551678/0	Bygel	Plate	
7	1	181006431/0	Förstärkning	Stiffening	
8	2	322109581/0	Polskydd	Protection	
9	4	112728713/0	Skruv	Screw	
10	2	325774220/0	Fäste	Bracket	
11	2	322109582/0	Polskydd	Protection	
12	1	322393753/0	Handtag	Handle	
13	1	322394536/0	Lower Handgrip	Lower Handgrip	
14	1	181102378/0	Bag	Fabric Box	Stiga Logo
15	1	322486452/0	Indikator	Indicator	

code	pos.	q.ty	page										
9838-9530-12	27	2	p. 7	122450480/0	22	1	p. 3	322735592/0	14	1	p. 3		
9943-0516-16	15	2	p. 3	122450482/0	4	2	p. 19	322778475/0	20	1	p. 3		
9943-0516-16	36	4	p. 3	122450484/0	13	1	p. 3	322778489/0	37	1	p. 3		
9943-0516-16	39	1	p. 3	122450485/0	1	1	p. 19	322778497/0	7	1	p. 13		
112139100/0	14	1	p. 17	122465638/1	15	1	p. 17	322785305/1	2	2	p. 3		
112154510/0	3	2	p. 13	122517869/1	8	1	p. 15	322806639/0	6	1	p. 15		
112154510/0	7	2	p. 15	122517873/0	23	1	p. 3	322806650/0	17	1	p. 7		
112154510/0	13	1	p. 17	122517884/0	2	1	p. 19	322806651/0	18	1	p. 7		
112154510/0	15	6	p. 7	122517885/0	5	2	p. 7	322869693/1	4	1	p. 3		
112154510/0	25	1	p. 3	122519816/0	5	3	p. 17	322869723/0	10	1	p. 3		
112155000/0	3	2	p. 11	122519823/0	6	2	p. 3	325774220/0	10	2	p. 19		
112155000/0	9	3	p. 17	122570110/1	31	1	p. 3	381003496/0	30	1	p. 7		
112436051/0	5	2	p. 3	122570120/1	32	1	p. 3	381004825/0	11	1	p. 13		
112508125/0	17	1	p. 17	122753000/0	34	2	p. 3	381004836/0	42	1	p. 3		
112521330/0	5	2	p. 13	125430202/0	13	2	p. 7	381005219/0	1	1	p. 7		
112521330/0	28	1	p. 7	133320022/0	2	1	p. 9	381005221/0	2	1	p. 7		
112521350/0	2	2	p. 11	133320504/0	36	1	p. 7	381005223/0	3	1	p. 7		
112521350/0	8	3	p. 17	135063902/0	29	1	p. 3	381005225/0	4	1	p. 7		
112523040/0	24	1	p. 3	181003118/0	28	1	p. 3	381005227/0	7	2	p. 7		
112523080/0	18	1	p. 17	181003490/0	31	1	p. 7	381005229/0	9	2	p. 7		
112604896/0	4	2	p. 15	181004416/0	16	1	p. 17	381007498/0	1	2	p. 11		
112608600/0	40	4	p. 3	181005540/0	33	1	p. 7	381007578/0	16	1	p. 7		
112727784/0	11	1	p. 7	181006431/0	7	1	p. 19	381007801/0	5	2	p. 11		
112727786/0	12	1	p. 7	181030087/0	22	1	p. 7	381008155/0	5	1	p. 19		
112727799/0	14	4	p. 7	181102378/0	14	1	p. 19	381030118/0	21	1	p. 7		
112727801/0	11	1	p. 17	322034006/0	9	1	p. 13	381030123/0	20	2	p. 7		
112727803/0	5	2	p. 15	322038407/0	27	2	p. 3	381207230/0	1	1	p. 17		
112728210/0	3	1	p. 17	322055335/0	18	1	p. 3	381302903/0	1	1	p. 3		
112728210/0	15	4	p. 13	322060271/1	1	1	p. 13	381302905/0	26	1	p. 3		
112728300/0	1	1	p. 9	322076570/1	3	1	p. 9	381393704/0	2	1	p. 5		
112728696/0	26	2	p. 7	322108315/0	1	1	p. 15	381600400/0	4	1	p. 9		
112728697/0	2	1	p. 13	322108320/0	14	1	p. 13						
112728697/0	3	4	p. 3	322109578/0	10	1	p. 13						
112728697/0	4	2	p. 5	322109579/0	3	2	p. 19						
112728697/0	11	6	p. 3	322109580/0	12	1	p. 3						
112728697/0	18	1	p. 13	322109581/0	8	2	p. 19						
112728699/0	5	2	p. 5	322109582/0	11	2	p. 19						
112728699/0	19	3	p. 3	322110796/0	4	2	p. 11						
112728702/0	1	1	p. 9	322110797/0	6	2	p. 11						
112728713/0	9	4	p. 19	322110798/0	9	4	p. 11						
112728713/0	19	2	p. 7	322140248/0	13	1	p. 13						
112735645/0	16	2	p. 13	322192002/0	34	1	p. 7						
112735651/0	32	1	p. 7	322226241/0	3	1	p. 5						
112735654/0	6	4	p. 13	322246106/0	8	2	p. 7						
112735664/0	6	10	p. 7	322250014/0	4	3	p. 17						
112735664/0	8	6	p. 13	322393753/0	12	1	p. 19						
112735664/0	38	1	p. 3	322393756/0	6	1	p. 5						
112736815/0	19	1	p. 17	322394534/0	8	1	p. 3						
112815205/0	4	2	p. 13	322394535/0	9	1	p. 3						
112815270/0	21	1	p. 3	322394536/0	13	1	p. 19						
114367494/2	7	1	p. 5	322394540/0	23	2	p. 7						
118120061/0	5	1	p. 9	322486452/0	15	1	p. 19						
118203853/0	9	2	p. 15	322500113/0	1	1	p. 5						
118204136/0	6	1	p. 9	322545147/0	35	2	p. 3						
118204137/0	6	1	p. 9	322551536/0	2	1	p. 17						
118390020/0	35	1	p. 7	322551639/0	10	1	p. 7						
119035000/0	17	1	p. 13	322551678/0	6	1	p. 19						
119216035/0	33	2	p. 3	322600309/0	2	1	p. 15						
122160400/0	17	1	p. 17	322600310/0	12	1	p. 13						
122170846/0	12	1	p. 17	322600333/0	8	2	p. 11						
122170850/0	7	3	p. 17	322600334/0	7	2	p. 11						
122430313/0	29	1	p. 7	322602027/0	17	1	p. 3						
122430318/0	37	1	p. 7	322602029/0	41	1	p. 3						
122450439/0	10	1	p. 17	322602031/0	16	1	p. 3						
122450456/0	3	1	p. 15	322672201/0	6	3	p. 17						
122450478/0	30	1	p. 3	322722820/0	25	2	p. 7						
				322722821/0	24	2	p. 7						