



Reservdelskatalog Parts Catalogue

TWINCLIP 55 SV H

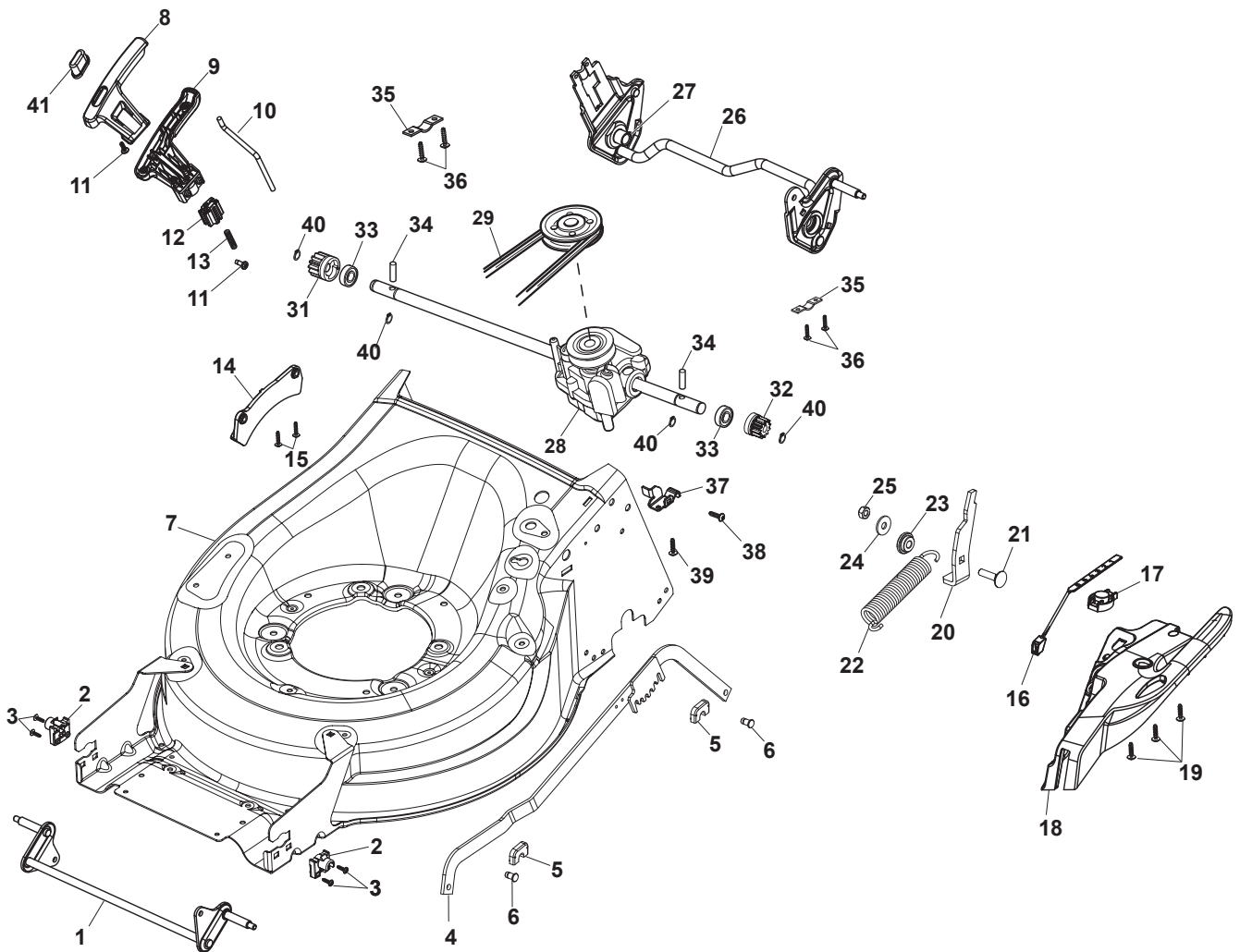
294563038/S16 - Season 2016

- Use GLOBAL GARDEN PRODUCT Genuine Spare Parts specified in the parts list for repair and/or replacement.
 - The contents described in the parts list may change due to improvement.
 - The drawings of the spare parts are only indicative and might not represent the part in question exactly.
 - The indications "right" - "left" - "front" - "rear" refer to the position of the operator when using the machine.
- When placing orders of parts for repair and/or replacement, make sure that the illustrated parts list is the one applying to the machine's year of manufacture, as shown on the identification plate attached to the machine.

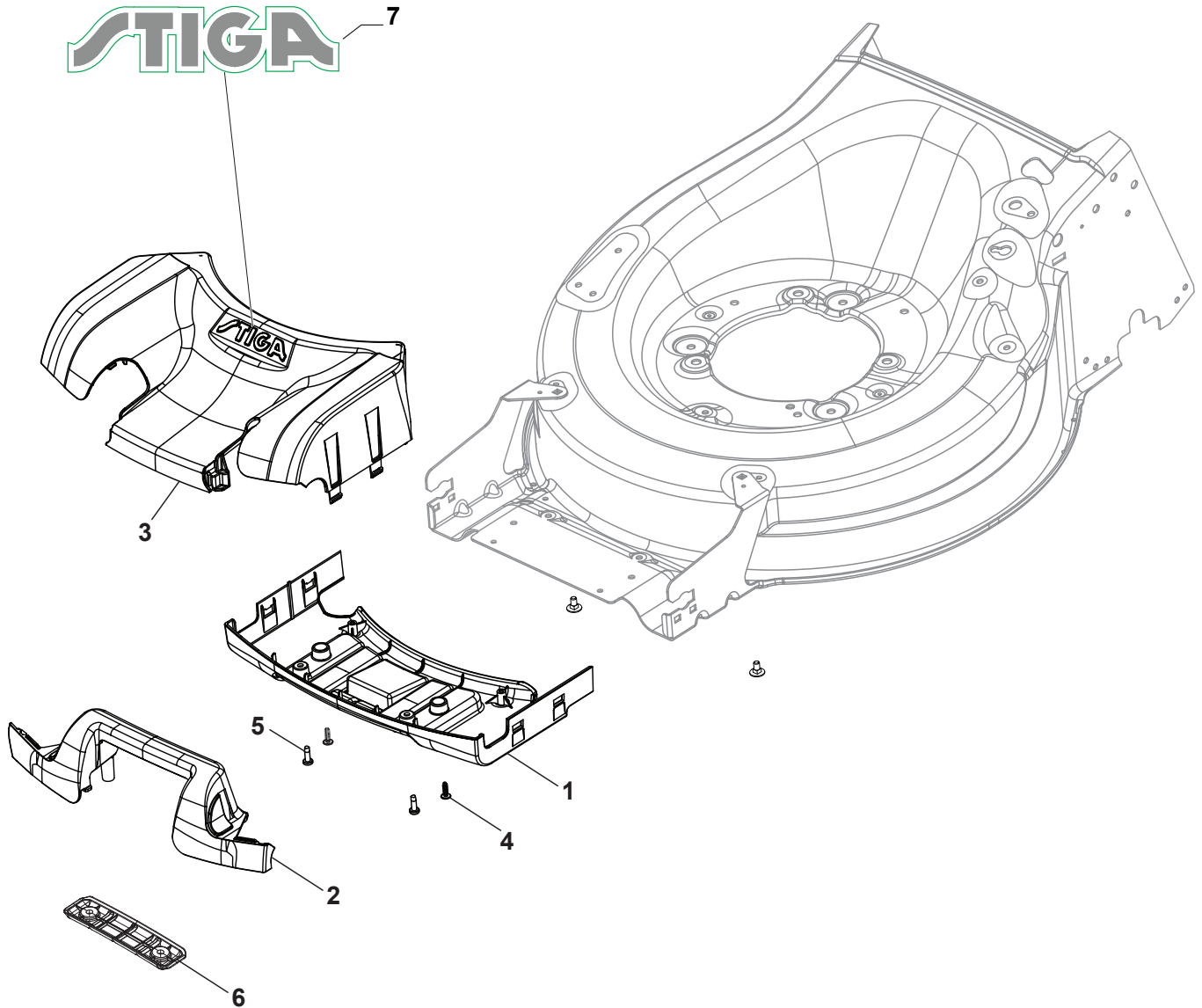
© Copyright 2016 Global Garden Products

All rights reserved. No part of this material may be reproduced or transmitted, in any form or by any means, electronic or mechanical, including photocopying, recording or by any information storage and retrieval system, without permission in writing from GLOBAL GARDEN PRODUCTS.

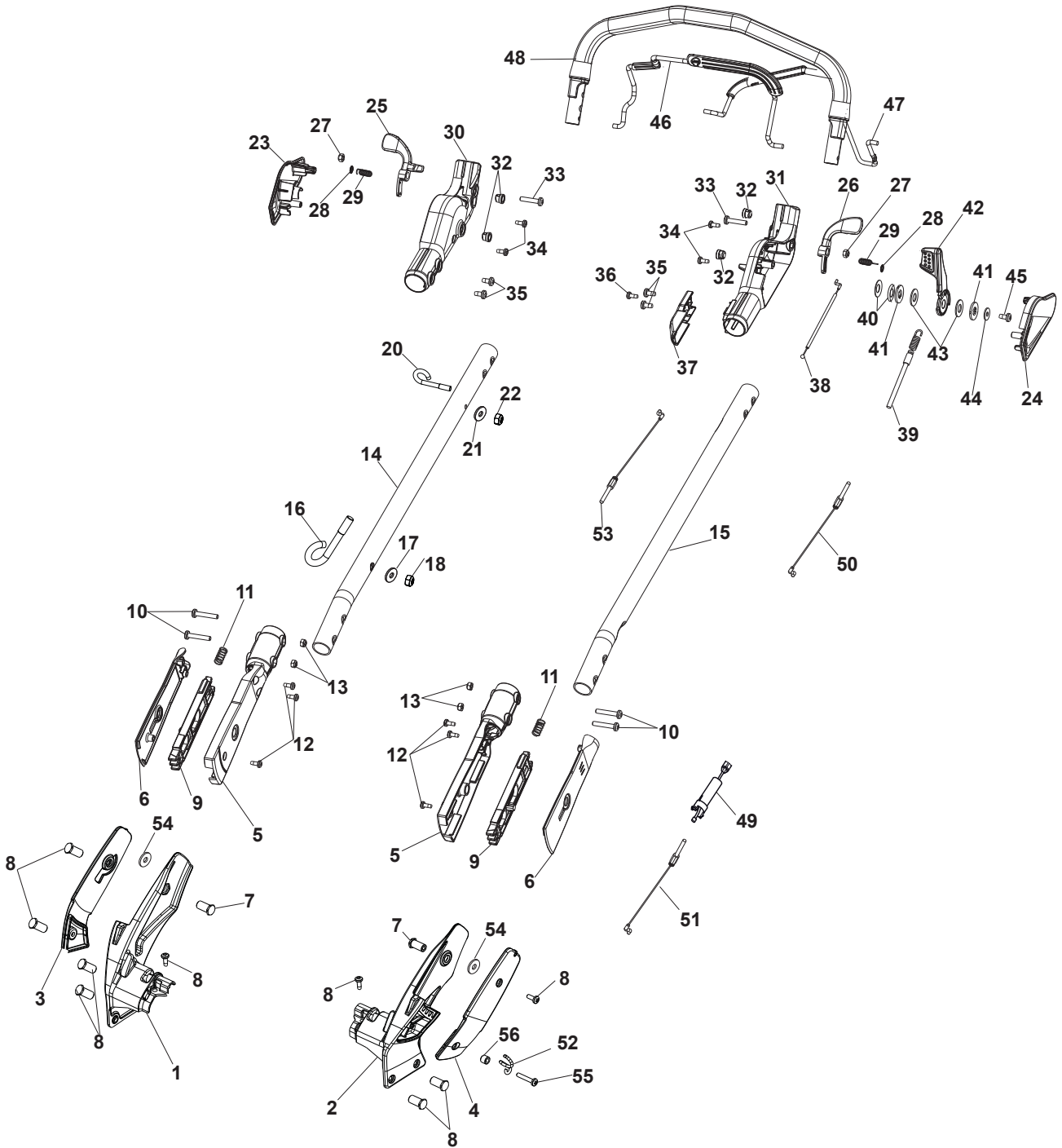
www.stiga.com



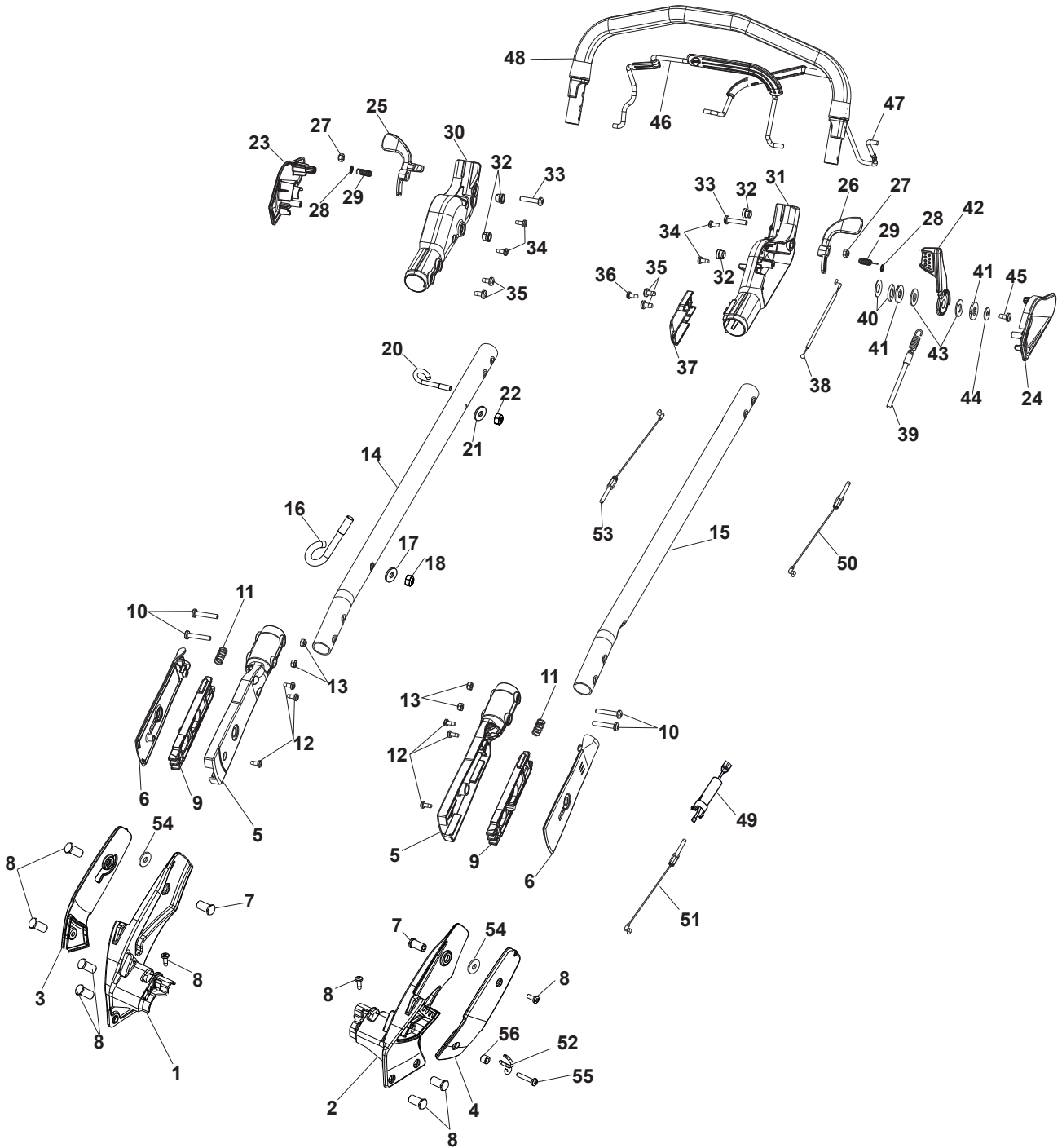
Utgåva Issue 6 - 2016		Kapa och höjdställning		Deck And Height Adjusting	
Pos. Fig.	Antal Q.ty	Art nr Part No	Benämning	Description	Anmärkning Notes
1	1	381302903/0	Hjulaxel-fram	Axle, Front Wheels	
2	2	322785305/1	Stöd	Support	
3	4	112728697/0	Skruv	Screw	
4	1	322869693/1	Höjdställningsspak	Wheels Control Rod	
5	2	112436051/0	Plat	Plate	
6	2	122519823/0	Stift	Pin	
7	1	381004836/0	Chassi-Grå Chassi-gra	Grey Deck	
8	1	322394534/0	Handtag	Upper Handle	Black
9	1	322394535/0	Handtag	Lower Handle	Black and Yellow
10	1	322869723/0	Stötstång	Rod	
11	6	112728697/0	Skruv	Screw	
12	1	322109580/0	Höjdställningsslid	Slide	
13	1	122450484/0	Fjäder	Spring	
14	1	322735592/0	Höjdställningssegment	Sector, Height Adjustment	
15	2	9943-0516-16	Skruv	Screw	
16	1	322602031/0	Låsplatta	Position Plate	
17	1	322602027/0	Lins	Lens	
18	1	322055335/0	Hus	Deck, Adjustment	
19	3	112728699/0	Skruv	Screw	
20	1	322778475/0	Fäste	Bracket	
21	1	112815270/0	Skruv	Screw	
22	1	122450480/0	Fjäder	Spring	
23	1	122517873/0	Stift	Pin	
24	1	112523040/0	Bricka	Washer	
25	1	112154510/0	Mutter	Nut	
26	1	381302905/0	Hjulaxel-bakre	Rear Wheel Axle	
27	2	322038407/0	Bussning	Brass	
28	1	181003119/0	Transmission kpl	Gear Box	
29	1	135064394/0	Drivrem	Belt	
31	1	122570110/1	Drev	Pinion Right	
32	1	122570120/1	Drev	Pinion Left	
33	2	119216035/0	Lager	Bearing	
34	2	122753000/0	Spännstift	Pin	
35	2	322545147/0	Plat	Plate	
36	4	9943-0516-16	Skruv	Screw	
37	1	322778491/0	Plat	Plate	
38	1	112735664/0	Skruv	Screw	
39	1	9943-0516-16	Skruv	Screw	
40	4	112608600/0	Segersäkringsåkring Sga12	Seeger	
41	1	322602029/0	Knapp	Button	



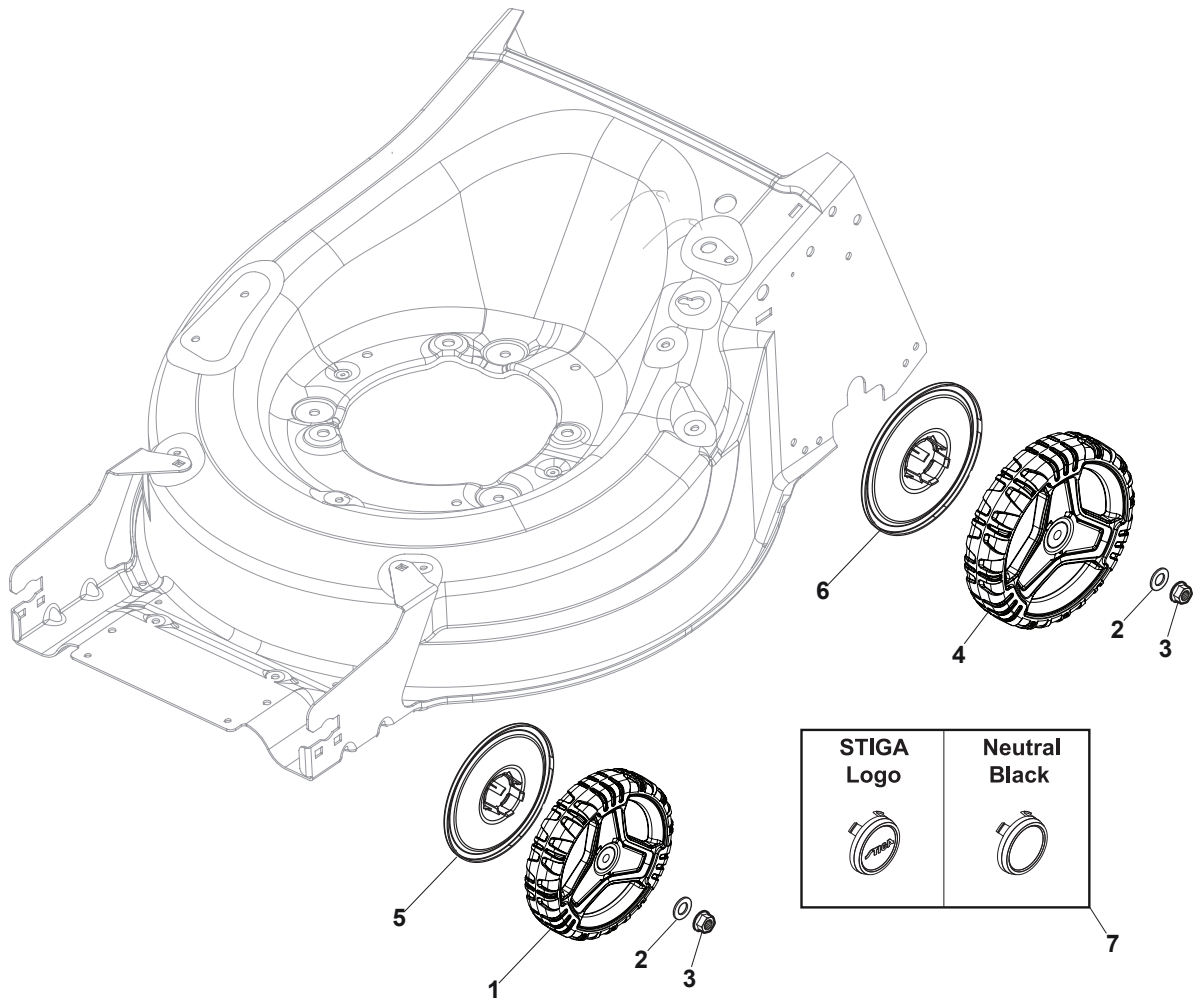
Utgåva Issue 6 - 2016		Mask Mask, Frontal Basic Version			
Pos. Fig.	Antal Q.ty	Art nr Part No	Benämning	Description	Anmärkning Notes
1	1	322500113/0	Luftintag	Front Combi	
2	1	381393704/0	Knopp Handtag	Handle	
3	1	322226241/0	Plastfront gra Frontkapa, Gra	Mask, Grey	
4	2	112728697/0	Skruv	Screw	
5	2	112728699/0	Skruv	Screw	
6	1	322393756/0	Handtag-Främre	Front Handle	
7	1	114367494/2	Dekal STIGA logo	Label STIGA logo	



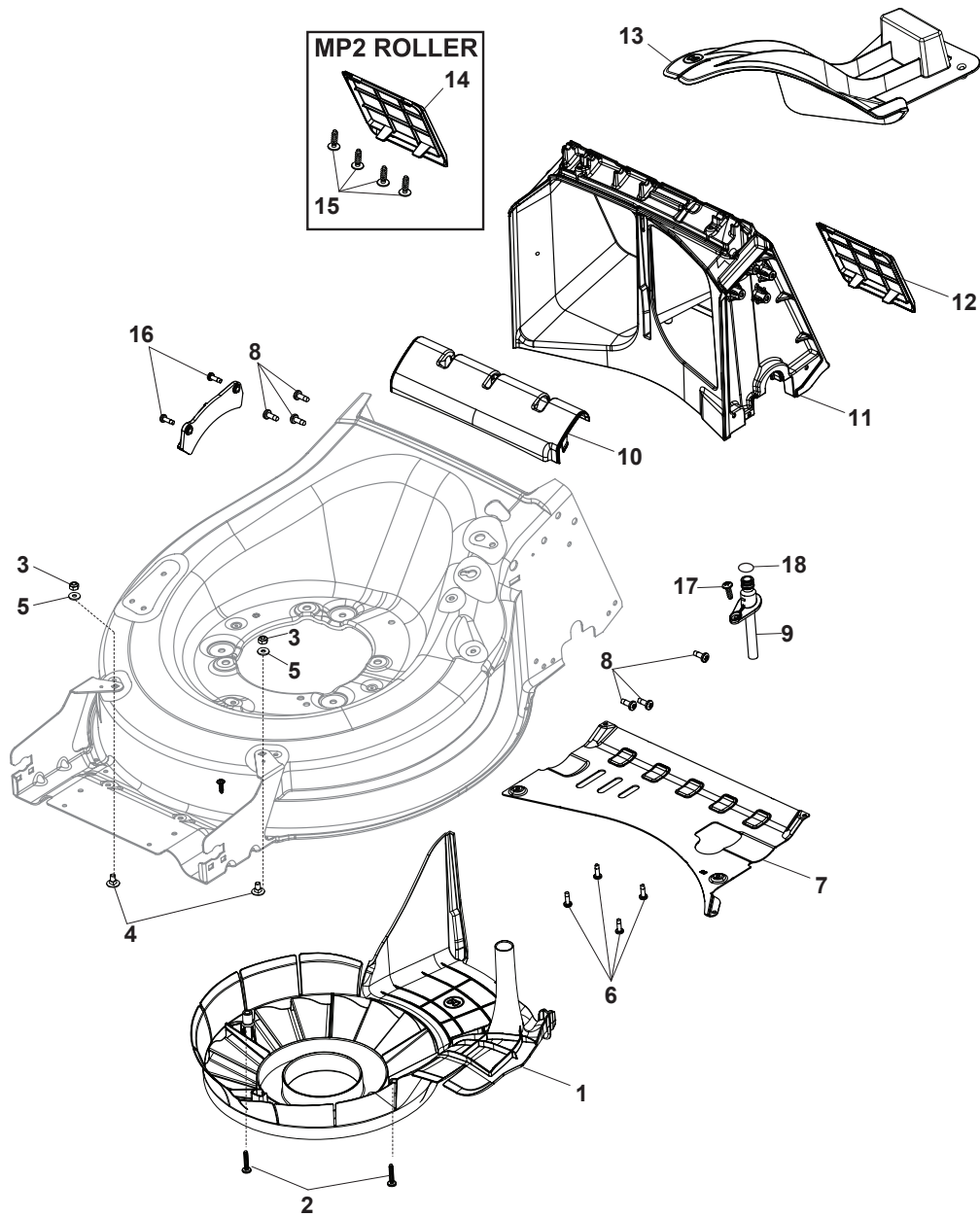
Utgåva Issue 6 - 2016		Kaross/Handreglage, övre		Chassis/Handle, Upper Part	
Pos. Fig.	Antal Q.ty	Art nr Part No	Benämning	Description	Anmärkning Notes
1	1	381005219/0	Fäste-hö	Right Bracket	
2	1	381005221/0	Fäste-vä	Left Bracket	
3	1	381005223/0	Kapa-hö	Cover, Right	
4	1	381005225/0	Kapa-vä	Cover, Left	
5	2	381005233/0	External Guide	External Guide	
6	1	381005229/0	Internal Guide	Internal Guide	
7	2	122517885/0	Stift	Pin	
8	9	112735664/0	Skruv	Screw	
9	2	322246106/0	Cursor	Cursor	
10	4	112727783/0	Skruv	Screw	
11	2	125430202/1	Fjäder	Spring	
12	6	112735651/0	Skruv	Screw	
13	4	112154510/0	Mutter	Nut	
14	1	381007579/0	Styre-överdel Hö	Handle, Upper Part Right	
15	1	381007591/0	Styre-överdel Va	Handle, Upper Part Left	
16	1	122430318/0	Fjäder	Guide Spring	
17	1	112521330/0	Bricka	Washer	
18	1	112154510/0	Mutter	Nut	
20	1	122430314/0	Fjäder	Starting Rope Guide Spring	
21	1	112521330/0	Bricka	Washer	
22	1	112154510/0	Mutter	Nut	
23	1	381004848/0	Hus	Starting Block Inner Half-Bearing	
24	1	381004849/0	Hus	Starting Block Outer Half-Bearing	
25	1	322722823/0	Arm-Hö	Right Lever	
26	1	322722822/0	Arm-Vä	Left Lever	
27	2	112154510/0	Mutter	Nut	
28	2	112604897/0	Bricka	Elastic Washer	
29	2	122450490/0	Fjäder	Spring	
30	1	381007580/0	Höger gra, Lock för Handtag	Right Joint	
31	1	381007581/0	Vänster gra, Lock för Handtag	Left Joint	
32	4	322041967/1	Bussning	Bushing	
33	2	112728721/0	Skruv	Screw	
34	4	112735651/0	Skruv	Screw	
35	4	112735664/0	Skruv	Screw	
36	1	112735651/0	Skruv	Screw	
37	1	322557108/0	Platta	Plate	
38	1	381030120/0	Cable Com. Cursor. Assy	Cable Com. Cursor. Assy	
39	1	381030122/0	Variator Cable	Variator Cable, Upper	
40	2	112508127/0	Bricka	Washer	
41	2	322672157/0	Bricka	Washer	
42	2	381007228/0	Variator Lever Assy	Variator Lever Assy	
43	2	322672155/0	Bricka	Washer	
44	1	112523040/0	Bricka	Washer	
45	1	112735651/0	Skruv	Screw	
46	1	381003472/1	Reglagebygel	Lever, Engine Brake	
47	1	381003349/0	Bygel Drivning	Lever, Driving	
48	1	381007590/0	Handtag	Upper Handle With Grip	
49	1	322246112/0	Länk	Upper Cable Joint	
50	1	381030126/0	Variator Cable	Variator Cable, Lower	



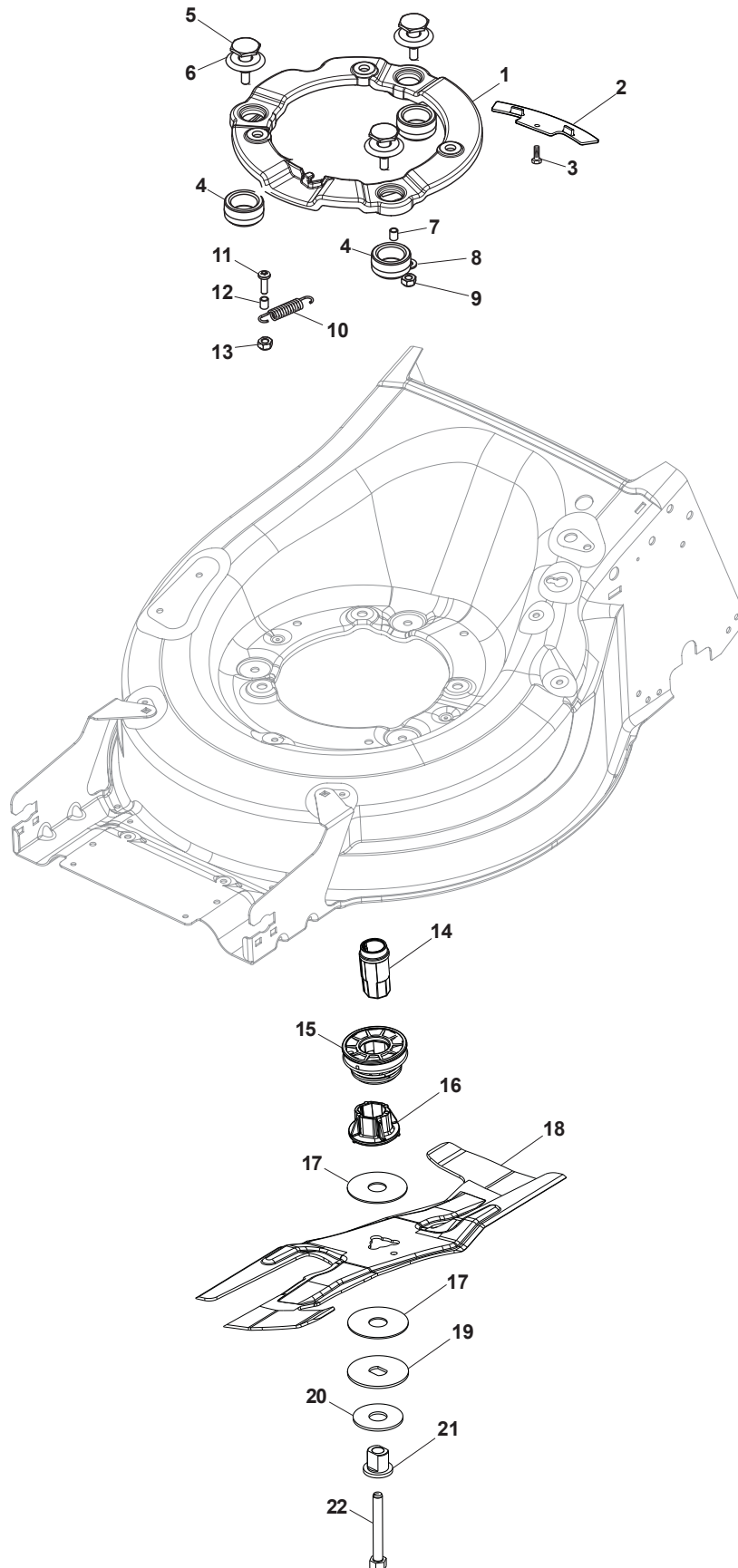
Utgåva Issue 6 - 2016		Kaross/Handreglage, övre Chassis/Handle, Upper Part			
Pos. Fig.	Antal Q.ty	Art nr Part No	Benämning	Description	Anmärkning Notes
51	1	381030106/0	Kopplingswire	Clutch Cable, Lower	
52	1	122430324/0	Fjäder	Guide Spring	
53	1	381030127/0	Motorbromswire	Cable, Thread Engine Brake	
54	2	122675110/0	Bricka	Washer	
55	1	112735660/0	Skruv	Screw	
56	1	122170610/0	Distans	Spacer	



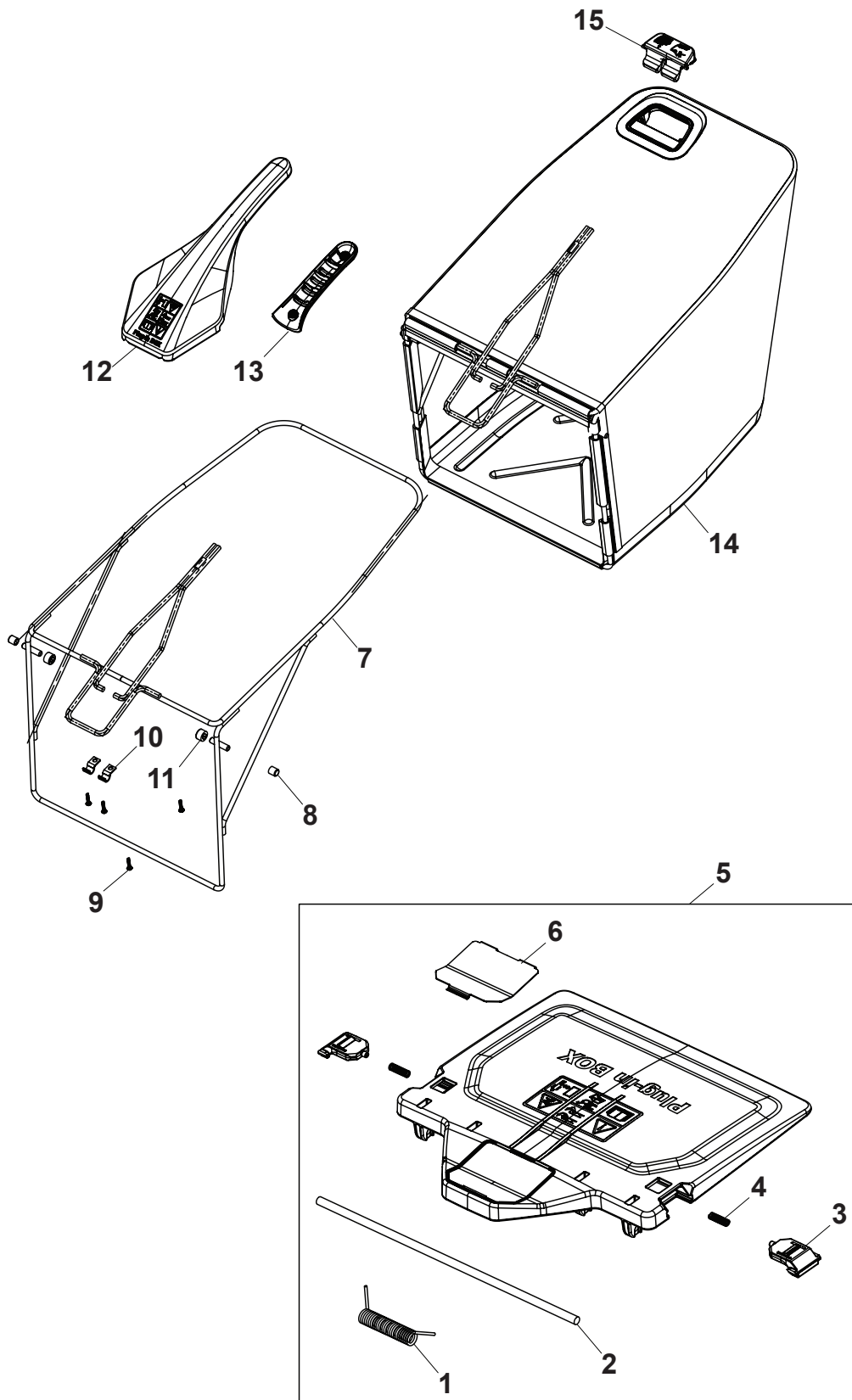
Utgåva Issue 6 - 2016		Hjul och navkapsel Wheel and Hub Cap			
Pos. Fig.	Antal Q.ty	Art nr Part No	Benämning	Description	Anmärkning Notes
1	2	381007494/0	Hjul	Wheel	Aluminium Wheel
2	2	112521350/0	Bricka	Washer	
3	2	112155000/0	Mutter	Nut	
4	2	381007800/0	Hjul	Wheel	Aluminium Wheel
5	2	322600334/0	Hjulskydd	Protection, Wheel	
6	2	322600333/0	Hjulskydd	Protection, Wheel	
7	4	322110798/0	Navkapsel Gra	Hub Cap Grey	with STIGA Logo



Utgåva Issue 6 - 2016		Remskydd Protection, Belt			
Pos. Fig.	Antal Q.ty	Art nr Part No	Benämning	Description	Anmärkning Notes
1	1	322060271/1	Mulchingplugg	Carter Mulching	
2	1	112728697/0	Skruv	Screw	
3	2	112154510/0	Mutter	Nut	
4	2	112815205/0	Skruv	Screw	
5	2	112521330/0	Bricka	Washer	
6	4	112735654/0	Skruv	Screw	
7	1	322778497/0	Hus-nedre	Lower Case	
8	6	112735664/0	Skruv	Screw	
9	1	322034006/0	Tvättanslutning	Washing Connection	
10	1	322109578/0	Stenskyddsfäste grå	Stone-Guard Support, Grey	
11	1	381004825/0	Conveyor	Conveyor	
12	1	322600310/0	Rear door	Rear door	
13	1	322140248/0	Deflektor	Deflector	
14	1	322108320/0	Rear door	Rear door	Only for Roller Version
15	4	112728210/0	Skruv	Screw	Only for Roller Version
16	2	112735645/0	Skruv	Screw	
17	1	119035000/0	O-Ring	Or Ring	
18	1	112728697/0	Skruv	Screw	



Utgåva Issue 6 - 2016		Kniv Blade			
Pos. Fig.	Antal Q.ty	Art nr Part No	Benämning	Description	Anmärkning Notes
1	1	381207230/0	Fläns	Flange	
2	1	322551536/0	Bygel	Plate	
3	1	112728210/0	Skruv	Screw	
4	3	322250014/0	Gummi	Rubber	
5	3	122519816/0	Stift	Pin	
6	3	322672201/0	Bricka	Washer	
7	3	122170850/0	Distans.	Spacer	
8	3	112521350/0	Bricka	Washer	
9	3	112155000/0	Mutter	Nut	
10	1	122450439/0	Fjäder	Spring	
11	1	112727801/0	Skruv	Screw	
12	1	122170846/0	Distans	Spacer	
13	1	112154510/0	Mutter	Nut	
14	1	122785494/0	Kil D25Mm	Feather, Crankshaft Ø 25	
15	1	122601933/0	Remskiva	Pulley	
16	1	122465656/0	Knivfäste	Blade Hub	
17	1	322672105/0	Fjäderbricka	Elastic Disc	
18	1	181004417/0	Kniv	Blade	
19	1	112523080/0	Bricka	Washer	
20	1	112508120/0	Bricka	Bricka	
21	1	122041943/0	Bussning	Bush	
22	1	112736820/0	Skruv	Screw	



Utgåva Issue 6 - 2016		Gräsuppsamlare Grass-Catcher			
Pos. Fig.	Antal Q.ty	Art nr Part No	Benämning	Description	Anmärkning Notes
1	1	122450485/0	Fjäder	Spring	
2	1	122517884/0	Stift	Pin	
3	2	322109579/0	Fäste	Support	
4	2	122450482/0	Fjäder	Spring	
5	1	381008155/0	Lucka - svart	Stone Guard, Black	
6	1	322551678/0	Bygel	Plate	
7	1	181006431/0	Förstärkning	Stiffening	
8	2	322109581/0	Polskydd	Protection	
9	4	112728713/0	Skruv	Screw	
10	2	325774220/0	Fäste	Bracket	
11	2	322109582/0	Polskydd	Protection	
12	1	322393753/0	Handtag	Handle	
13	1	322394536/0	Lower Handgrip	Lower Handgrip	
14	1	181102378/0	Bag	Fabric Box	Stiga Logo
15	1	322486452/0	Indikator	Indicator	

code	pos.	q.ty	page										
9943-0516-16	15	2	p. 3	122450484/0	13	1	p. 3	325774220/0	10	2	p. 17		
9943-0516-16	36	4	p. 3	122450485/0	1	1	p. 17	381003349/0	47	1	p. 7		
9943-0516-16	39	1	p. 3	122450490/0	29	2	p. 7	381003472/1	46	1	p. 7		
112139150/0	14	1	p. 15	122465656/0	15	1	p. 15	381004825/0	11	1	p. 13		
112154510/0	3	2	p. 13	122517873/0	23	1	p. 3	381004836/0	7	1	p. 3		
112154510/0	13	1	p. 15	122517884/0	2	1	p. 17	381004848/0	23	1	p. 7		
112154510/0	13	4	p. 7	122517885/0	7	2	p. 7	381004849/0	24	1	p. 7		
112154510/0	18	1	p. 7	122519816/0	5	3	p. 15	381005219/0	1	1	p. 7		
112154510/0	22	1	p. 7	122519823/0	6	2	p. 3	381005221/0	2	1	p. 7		
112154510/0	25	1	p. 3	122570110/1	31	1	p. 3	381005223/0	3	1	p. 7		
112154510/0	27	2	p. 7	122570120/1	32	1	p. 3	381005225/0	4	1	p. 7		
112155000/0	3	2	p. 11	122601933/0	20	1	p. 15	381005229/0	6	1	p. 7		
112155000/0	9	3	p. 15	122675110/0	54	2	p. 9	381005233/0	5	2	p. 7		
112436051/0	5	2	p. 3	122753000/0	34	2	p. 3	381007228/0	42	2	p. 7		
112508125/0	17	1	p. 15	122785493/0	21	1	p. 15	381007494/0	1	2	p. 11		
112508127/0	40	2	p. 7	125430202/1	11	2	p. 7	381007579/0	14	1	p. 7		
112521330/0	5	2	p. 13	135064394/0	29	1	p. 3	381007580/0	30	1	p. 7		
112521330/0	17	1	p. 7	181003119/0	28	1	p. 3	381007581/0	31	1	p. 7		
112521330/0	21	1	p. 7	181004416/0	16	1	p. 15	381007590/0	48	1	p. 7		
112521350/0	2	2	p. 11	181006431/0	7	1	p. 17	381007591/0	15	1	p. 7		
112521350/0	8	3	p. 15	181102378/0	14	1	p. 17	381007800/0	4	2	p. 11		
112523040/0	24	1	p. 3	322034006/0	9	1	p. 13	381008155/0	5	1	p. 17		
112523040/0	44	1	p. 7	322038407/0	27	2	p. 3	381030106/0	51	1	p. 9		
112523080/0	18	1	p. 15	322041967/1	32	4	p. 7	381030120/0	38	1	p. 7		
112604897/0	28	2	p. 7	322055335/0	18	1	p. 3	381030122/0	39	1	p. 7		
112608600/0	40	4	p. 3	322060271/1	1	1	p. 13	381030126/0	50	1	p. 7		
112727783/0	10	4	p. 7	322108320/0	14	1	p. 13	381030127/0	53	1	p. 9		
112727801/0	11	1	p. 15	322109578/0	10	1	p. 13	381207230/0	1	1	p. 15		
112728210/0	3	1	p. 15	322109579/0	3	2	p. 17	381302903/0	1	1	p. 3		
112728210/0	15	4	p. 13	322109580/0	12	1	p. 3	381302905/0	26	1	p. 3		
112728697/0	2	1	p. 13	322109581/0	8	2	p. 17	381393704/0	2	1	p. 5		
112728697/0	3	4	p. 3	322109582/0	11	2	p. 17						
112728697/0	4	2	p. 5	322110798/0	7	4	p. 11						
112728697/0	11	6	p. 3	322140248/0	13	1	p. 13						
112728697/0	18	1	p. 13	322226241/0	3	1	p. 5						
112728699/0	5	2	p. 5	322246106/0	9	2	p. 7						
112728699/0	19	3	p. 3	322246112/0	49	1	p. 7						
112728713/0	9	4	p. 17	322250014/0	4	3	p. 15						
112728721/0	33	2	p. 7	322393753/0	12	1	p. 17						
112735645/0	16	2	p. 13	322393756/0	6	1	p. 5						
112735651/0	12	6	p. 7	322394534/0	8	1	p. 3						
112735651/0	34	4	p. 7	322394535/0	9	1	p. 3						
112735651/0	36	1	p. 7	322394536/0	13	1	p. 17						
112735651/0	45	1	p. 7	322486452/0	15	1	p. 17						
112735654/0	6	4	p. 13	322500113/0	1	1	p. 5						
112735660/0	55	1	p. 9	322545147/0	35	2	p. 3						
112735664/0	8	6	p. 13	322551536/0	2	1	p. 15						
112735664/0	8	9	p. 7	322551678/0	6	1	p. 17						
112735664/0	35	4	p. 7	322557108/0	37	1	p. 7						
112735664/0	38	1	p. 3	322600310/0	12	1	p. 13						
112736815/0	19	1	p. 15	322600333/0	6	2	p. 11						
112815205/0	4	2	p. 13	322600334/0	5	2	p. 11						
112815270/0	21	1	p. 3	322602027/0	17	1	p. 3						
114367494/2	7	1	p. 5	322602029/0	41	1	p. 3						
119035000/0	17	1	p. 13	322602031/0	16	1	p. 3						
119216035/0	33	2	p. 3	322672155/0	43	2	p. 7						
122160400/0	17	1	p. 15	322672157/0	41	2	p. 7						
122170610/0	56	1	p. 9	322672201/0	6	3	p. 15						
122170846/0	12	1	p. 15	322722822/0	26	1	p. 7						
122170850/0	7	3	p. 15	322722823/0	25	1	p. 7						
122430314/0	20	1	p. 7	322735592/0	14	1	p. 3						
122430318/0	16	1	p. 7	322778475/0	20	1	p. 3						
122430324/0	52	1	p. 9	322778491/0	37	1	p. 3						
122450439/0	10	1	p. 15	322778497/0	7	1	p. 13						
122450480/0	22	1	p. 3	322785305/1	2	2	p. 3						
122450482/0	4	2	p. 17	322869693/1	4	1	p. 3						
				322869723/0	10	1	p. 3						