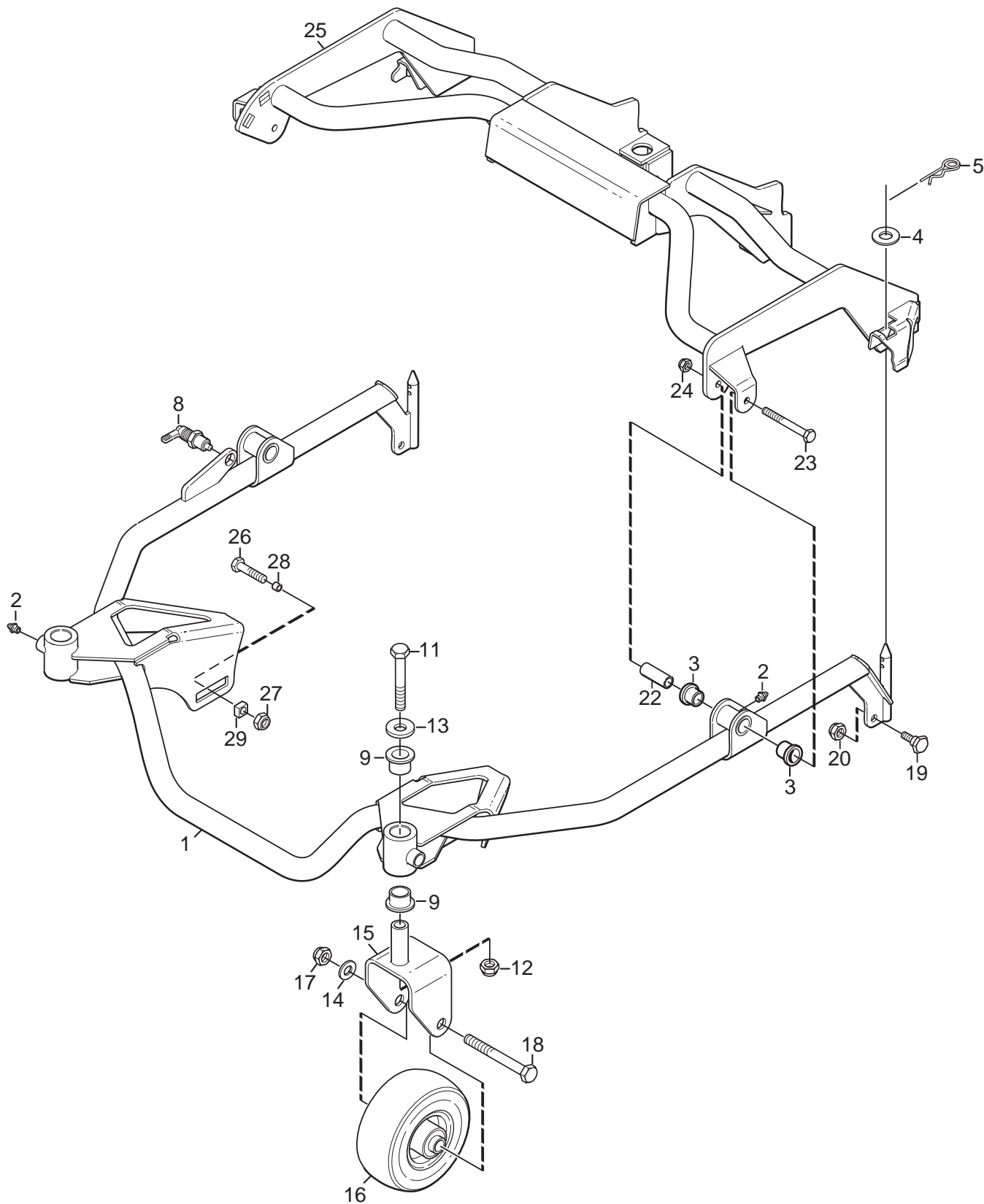


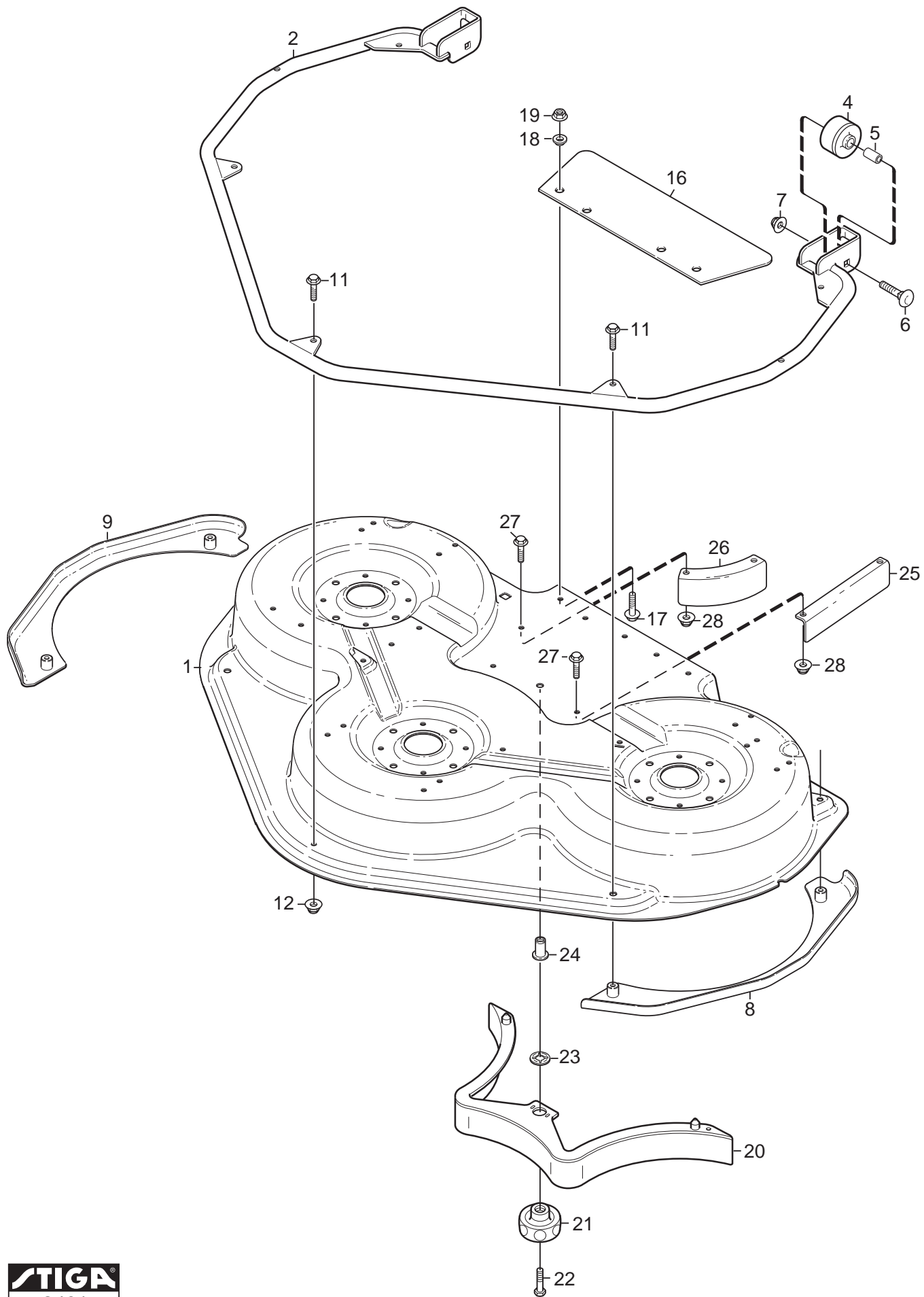
# Genuine Spare Parts

---

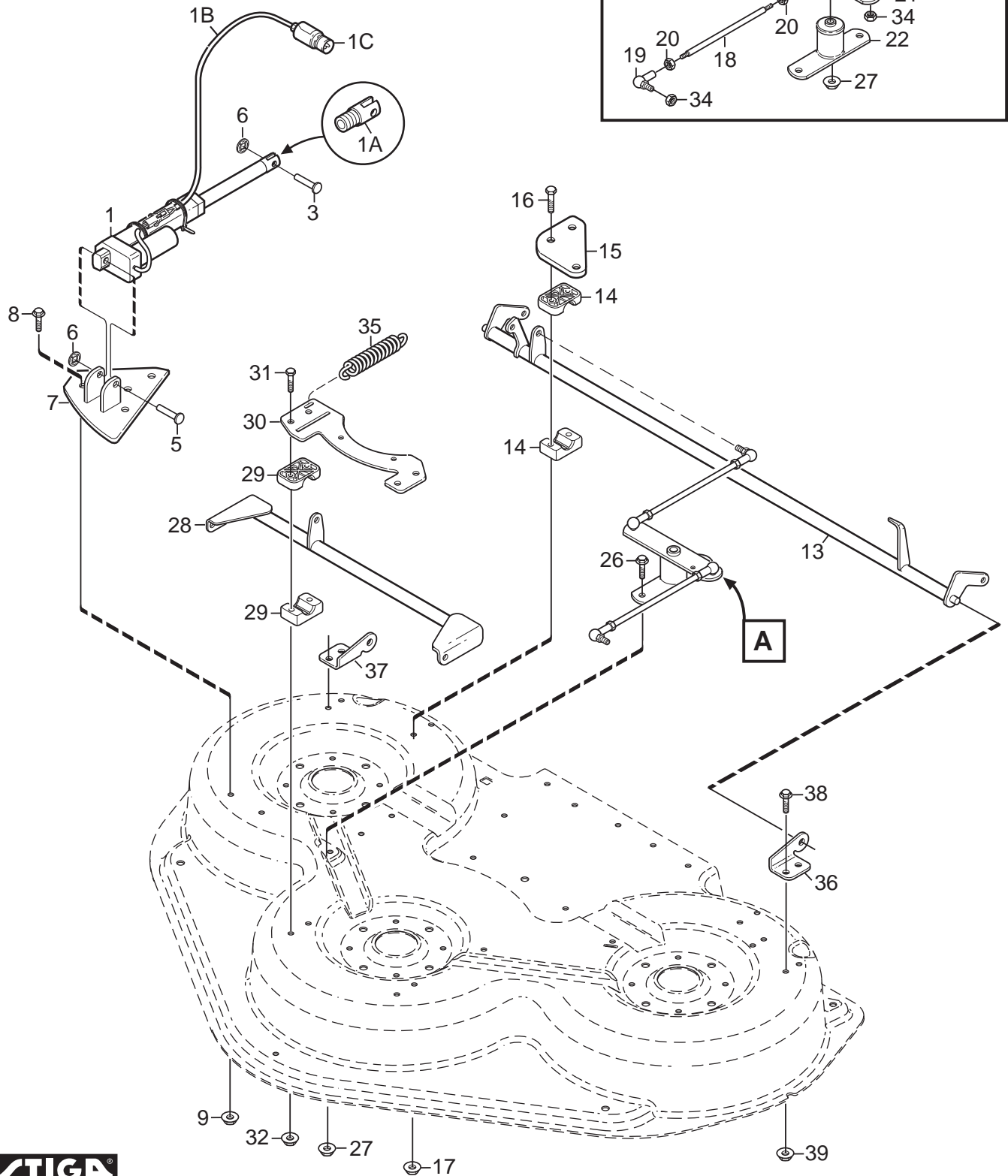




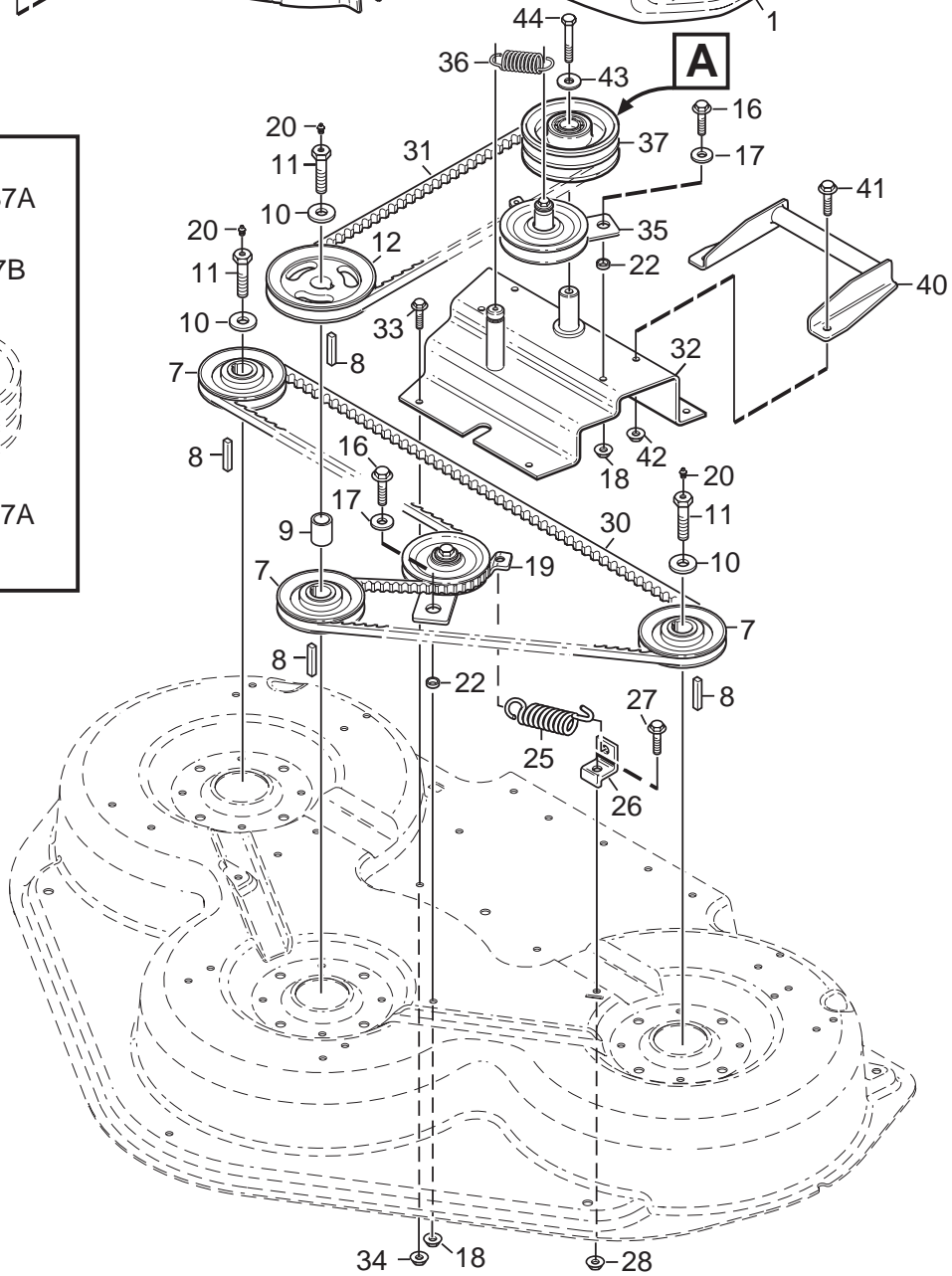
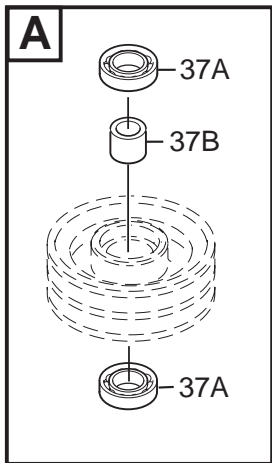
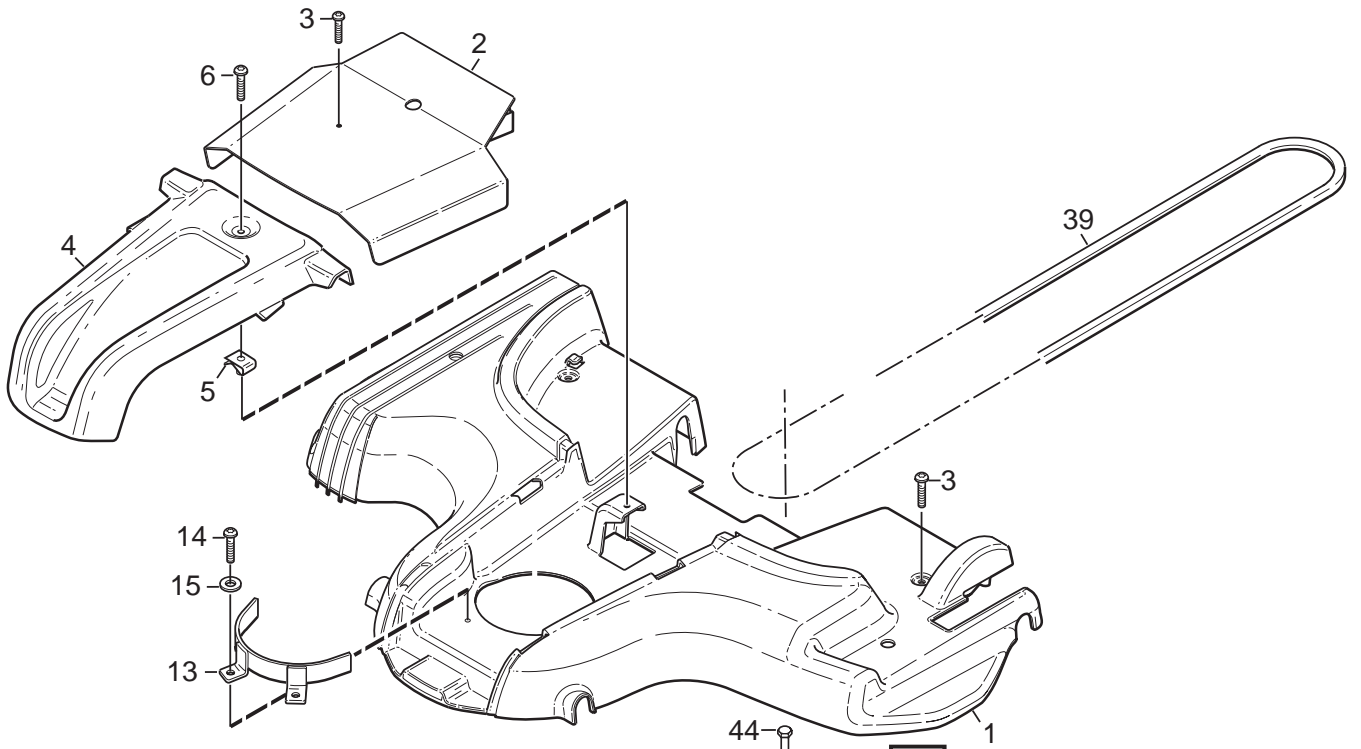
Utgåva Issue 2008- 16		Bildnr Picture No 2400		TITAN KLIPPAGGREGAT 125B COMBI RAM		TITAN MOWER DECK 125B COMBI FRAME		Sida Page 42	
Pos. Fig.	Antal/Quantity				Art nr Part No	Benämning	Description	Sats Kit	Anmärkning Notes
	7812								
X	1	1			1134-7577-01	Ram .....	Frame .....		
	2	4			9501-0500-00	Smörjnippel .....	Grease joint .....		
X	3	4			9544-0002-01	Glidlager .....	Bearing .....		
X	4	2			9699-0123-02	Bricka .....	Washer .....		
	5	2			9598-2001-02	Låsnål .....	Spring pin .....		
X	8	1			1134-7330-01	Spärrbult .....	Catch bolt .....		
	9	4			1134-5686-01	Lagerbussning .....	Bearing bush .....		
	11	2			9997-1211-02	Skruv .....	Screw .....		
	12	2			9747-1231-02	Låsmutter .....	Lock nut .....		
X	13	2			1134-7410-01	Bricka .....	Washer .....		
	14	2			9699-0104-02	Bricka .....	Washer .....		
X	15	2			1134-7477-01	Hjulbygel .....	Wheel fork .....		
X	16	2			1134-7335-01	Hjul .....	Wheel .....		
	17	2			9747-1631-02	Låsmutter .....	Lock nut .....		
X	18	2			9997-1616-02	Skruv .....	Screw .....		
	19	2			1134-0240-01	Ansatsskruv .....	Shoulder screw .....		
	20	2			9747-0831-02	Mutter .....	Lock nut .....		
X	22	2			1134-7617-01	Distans .....	Spacer .....		
	23	2			9997-1080-12	Skruv .....	Screw .....		
	24	2			9747-1031-02	Låsmutter .....	Lock nut .....		
X	25	1			1134-7582-01	Lyftfram .....	Lift frame .....		
	26	2			9997-0825-16	Skruv .....	Screw .....		
	27	2			9747-0831-02	Mutter .....	Lock nut .....		
	28	2			1134-5626-01	Distans .....	Spacer .....		
X	29	2			1134-7595-01	Distans .....	Spacer .....		
X	99	1			8211-7004-80	Bruksanvisning .....	Owner's manual .....		Ej ill/not ill.



Utgåva Issue 2008- 16		Bildnr Picture No 2401		TITAN KLIPPAGGREGAT 125B COMBI KÅPA		TITAN MOWER DECK 125B COMBI CASING		Sida Page 44	
Pos. Fig.	Antal/Quantity				Art nr Part No	Benämning	Description	Sats Kit	Anmärkning Notes
	7812								
X	1	1			1134-7489-01	Kåpa .....	Casing .....		Inkl. pos 24
	2	1			1134-6110-03	Ram- grå.....	Frame- grey .....		
	4	2			1134-3434-01	Rulle .....	Roller .....		
	5	2			1134-0041-04	Hylsa .....	Bushing .....		
	6	2			9897-1060-12	Skruv .....	Screw .....		
	7	2			9739-1031-22	Mutter.....	Nut .....		
X	8	1			1134-7520-01	Slitskydd- vä .....	Wear protection- LH .....		
X	9	1			1134-7520-02	Slitskydd- hö.....	Wear protection- RH.....		
	11	5			9959-0816-16	Skruv .....	Screw .....		
	12	1			9739-0831-22	Mutter.....	Nut .....		
	16	1			1134-5885-01	Gummiskydd .....	Rubber flap .....		
	17	2			9959-0816-16	Skruv .....	Screw .....		
	18	4			1134-4185-01	Ansatsbricka .....	Flange washer .....		
	19	2			9739-0831-22	Mutter.....	Nut .....		
	20	1			1134-5409-02	Mulcherplugg (svart).....	Mulch plug (black) .....		
	21	1			1117-3194-01	Låsraff .....	Locking knob .....		
	22	1			9997-0840-16	Skruv .....	Screw .....		
	23	1			9675-0012-02	Starlock .....	Locking washer .....		
	24	1			1134-5595-01	• Nitmutter .....	• Riveting nut .....		
	25	1			1134-5553-02	Ledskena- rak (svart).....	Guide plate- straight .....		
	26	1			1134-5554-02	Ledskena- böjd (svart).....	Guide plate- curved .....		
	27	4			9959-0816-16	Skruv .....	Screw .....		
	28	4			9739-0831-22	Mutter.....	Nut .....		

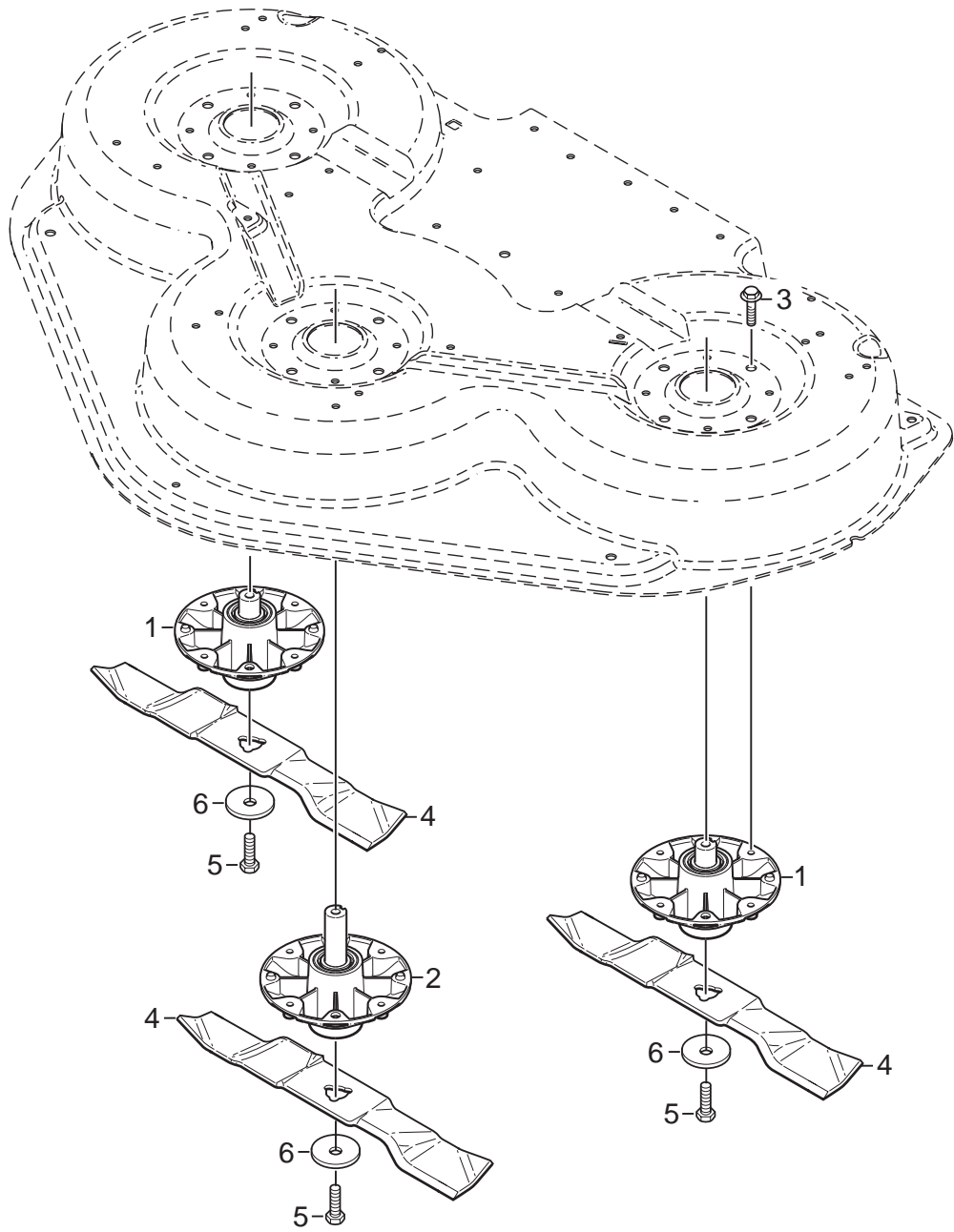


Utgåva Issue 2008- 16		Bildnr Picture No 2402		TITAN KLIPPAGGREGAT 125B COMBI REGLAGE		TITAN MOWER DECK 125B COMBI CONTROLS		Sida Page 46	
Pos. Fig.	Antal/Quantity				Art nr Part No	Benämning	Description	Sats Kit	Anmärkning Notes
	7812								
1	1				1134-6416-01	Ställdon .....	Actuator .....		L = 810 mm
1A	1				1134-6373-01	• Kolvstångsända .....	• Rod end .....		
1B	1				1134-6418-01	• Kabel .....	• Cable .....		
1C	1				1134-6182-01	•• Hankontakt .....	•• Male terminal .....		
3	1				9646-0098-22	Nit .....	Rivet .....		
5	1				9646-0105-22	Nit .....	Rivet .....		
6	2				9675-0012-02	Starlock .....	Locking washer .....		
7	1				1134-5981-01	Fäste .....	Bracket .....		
8	2				9959-0816-16	Skruv .....	Screw .....		
9	2				9739-0831-22	Mutter .....	Nut .....		
X 13	1				1134-7603-01	Bakaxel .....	Rear axle .....		
14	4				1134-5469-01	Lagerhalva .....	Bearing half .....		
15	2				1134-5471-01	Överfall- bakre .....	Bearing plate- rear .....		
16	4				9997-0845-12	Skruv .....	Screw .....		
17	4				9739-0831-22	Mutter .....	Nut .....		
18	2				1134-5473-01	Tryckstång .....	Push rod .....		
19	4				9570-0002-00	Vinkellänk .....	Elbow link .....		
20	4				9739-0831-22	Mutter .....	Nut .....		
21	1				1134-5855-01	Länkarm .....	Pivot arm .....		
22	1				1134-5858-01	Pivotfäste .....	Pivot shaft .....		
23	1				9997-0880-16	Skruv .....	Screw .....		
24	1				1134-5127-01	Bricka .....	Washer .....		
26	2				9959-0816-16	Skruv .....	Screw .....		
27	3				9739-0831-22	Mutter .....	Nut .....		
28	1				1134-5427-01	Framaxel .....	Front axle .....		
29	4				1134-5469-01	Lagerhalva .....	Bearing half .....		
30	1				1134-5846-01	Överfall- främre .....	Bearing plate- front .....		
31	4				9997-0845-12	Skruv .....	Screw .....		
32	4				9739-0831-22	Mutter .....	Nut .....		
34	4				9747-0831-02	Mutter .....	Lock nut .....		
35	1				1134-5847-01	Fjäder .....	Spring .....		
X 36	1				1134-7490-01	Fäste- vä .....	Bracket- LH .....		
X 37	1				1134-7490-02	Fäste- hö .....	Bracket- RH .....		
38	4				9959-0820-16	Skruv .....	Screw .....		
39	4				9739-0831-22	Mutter .....	Nut .....		

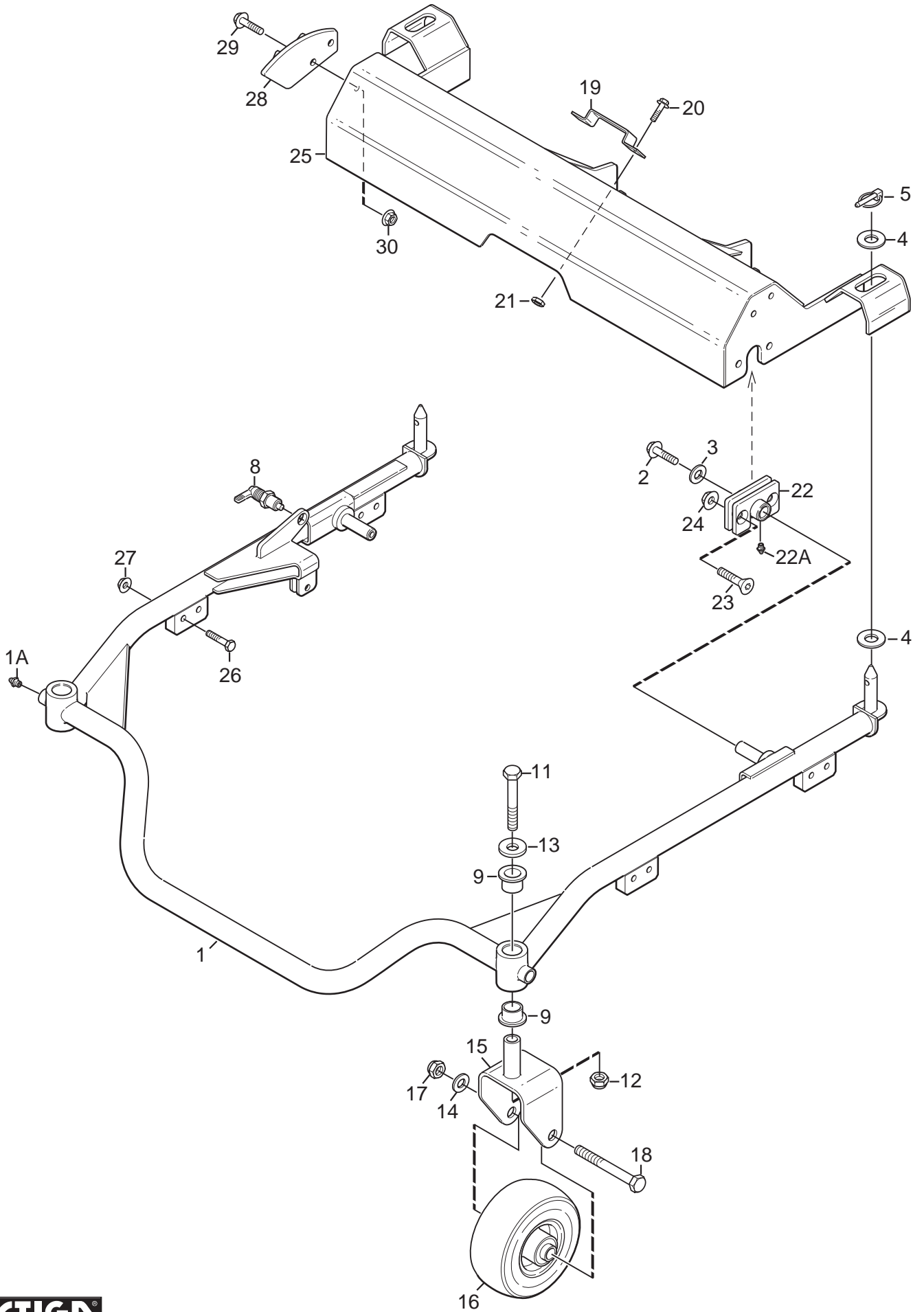




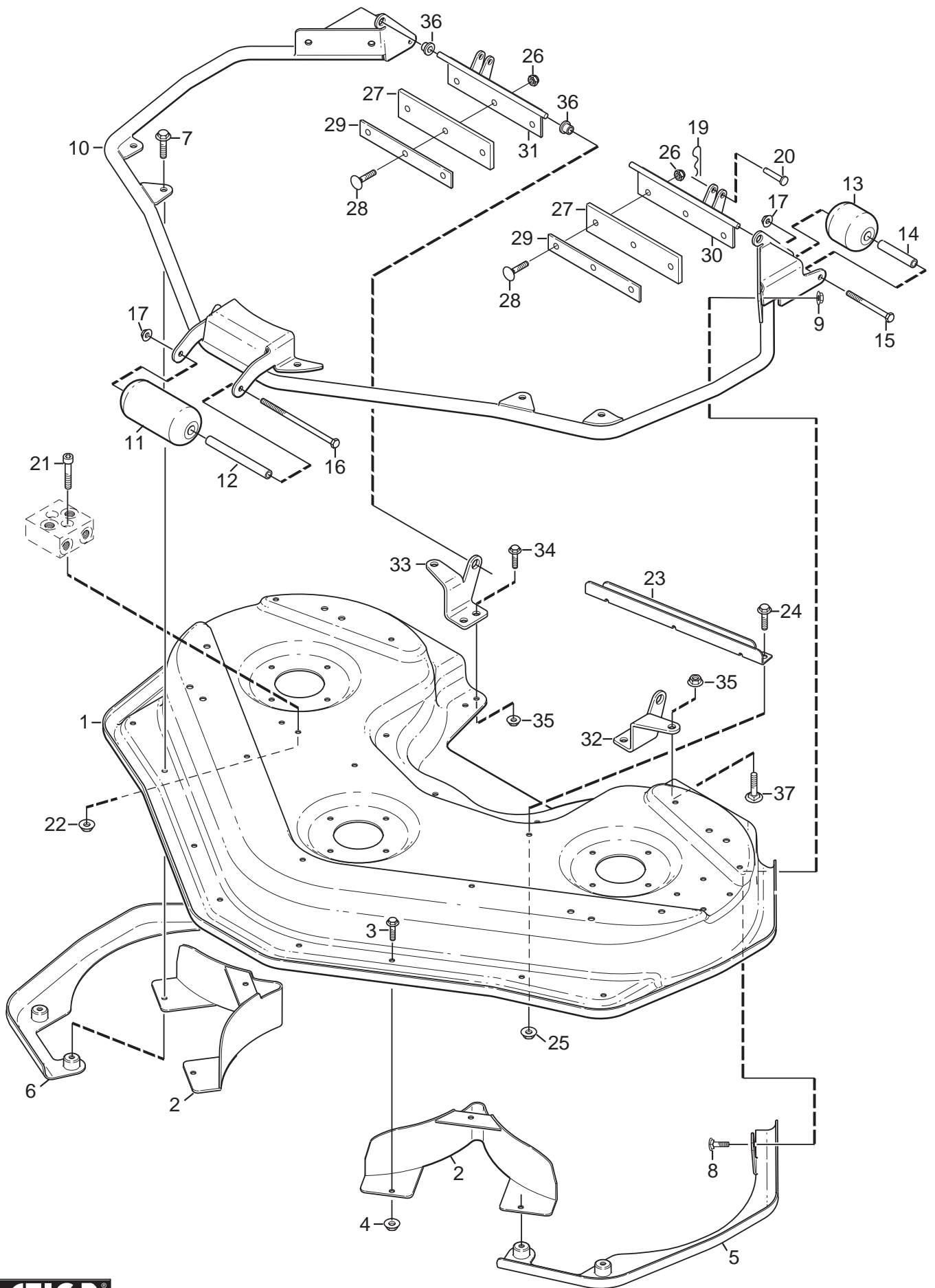
Utgåva Issue		Bildnr Picture No		TITAN KLIPPAGGREGAT 125B COMBI TRANSMISSION		TITAN MOWER DECK 125B COMBI TRANSMISSION		Sida Page	
2008- 16		2403						48	
Pos. Fig.	Antal/Quantity				Art nr Part No	Benämning	Description	Sats Kit	Anmärkning Notes
	7812								
X	1	1			1134- 7596- 01	Transmissionskåpa .....	Transmission cover .....		
X	2	1			1134- 7614- 01	Transmissionskåpa .....	Transmission cover .....		
	3	3			9893- 0616- 16	Skruv .....	Screw .....		
	4	1			1134- 5987- 01	Täckkåpa .....	Cover .....		
	5	1			1134- 4176- 01	Clips .....	Clips .....		
	6	1			9893- 0616- 16	Skruv .....	Screw .....		
	7	3			1134- 5404- 01	Remskiva .....	Belt pulley .....		
	8	4			9600- 0171- 01	Plattkil .....	Flat key .....		6 x 6 x 25 mm
	9	1			1134- 5400- 03	Distans .....	Spacer .....		L = 20 mm
	10	3			1134- 5406- 01	Bricka .....	Washer .....		
X	11	3			1134- 7517- 01	Skruv .....	Screw .....		
	12	1			1134- 5405- 01	Remskiva .....	Belt pulley .....		Ø = 150 mm
	13	1			1134- 6017- 01	Remstyrning .....	Belt guide .....		
	14	2			9893- 0616- 16	Skruv .....	Screw .....		
	15	1			9699- 0060- 02	Planbricka .....	Flat washer .....		
	16	2			9959- 0816- 16	Skruv .....	Screw .....		
	17	2			9699- 0109- 02	Planbricka .....	Flat washer .....		
	18	2			9739- 0831- 22	Mutter .....	Nut .....		
X	19	1			1134- 7611- 01	Spännrulle kpl. ....	Tension roller assy .....		
X	20	3			9501- 0500- 00	Smörjnippel .....	Grease joint .....		
X	22	2			1134- 7618- 01	Distans .....	Spacer .....		
	25	1			1134- 0327- 00	Kåpfjäder .....	Spring .....		
	26	1			1134- 5415- 01	Fjäderfäste .....	Spring attachment .....		
	27	1			9959- 0816- 16	Skruv .....	Screw .....		
	28	1			9739- 0831- 22	Mutter .....	Nut .....		
	30	1			1134- 9087- 01	Kilrem .....	V- belt .....		= 9585- 0142- 01
X	31	1			9585- 0186- 01	Kilrem .....	V- belt .....		
X	32	1			1134- 7605- 01	Hylla .....	Transm. plate .....		
	33	1			9959- 0820- 16	Skruv .....	Screw .....		
	34	1			9739- 0831- 22	Mutter .....	Nut .....		
X	35	1			1134- 7610- 01	Spännrulle kpl. ....	Tension roller assy .....		
X	36	1			1134- 7619- 01	Fjäder .....	Spring .....		
X	37	1			1134- 6911- 01	Remskiva .....	Pulley .....		
X	37A	2			9549- 0059- 01	• Kullager .....	• Ball bearing .....		
X	37B	1			1134- 6909- 01	• Distans .....	• Spacer .....		
X	39	1			9585- 0187- 01	Kilrem .....	V- belt .....		
X	40	1			1134- 7679- 01	Remstyrning .....	Belt guide .....		
	41	2			9959- 0820- 16	Skruv .....	Screw .....		
	42	2			9739- 0831- 22	Mutter .....	Nut .....		
	43	1			1134- 5406- 01	Bricka .....	Washer .....		
	44	1			9959- 1025- 16	Skruv .....	Screw .....		



Utgåva Issue 2008-16		Bildnr Picture No 2404		TITAN KLIPPAGGREGAT 125B COMBI KNIVAR		TITAN MOWER DECK 125B COMBI BLADES		Sida Page 50	
Pos. Fig.	Antal/Quantity				Art nr Part No	Benämning	Description	Sats Kit	Anmärkning Notes
	7812								
X	1	2			1134-7513-01	Lagerbox kpl.....	Bearing box assy.....		Sats 3 st/kit of 3
X	2	1			1134-7513-02	Lagerbox kpl.....	Bearing box assy.....		
	3	12			9945-0825-16	Skruv.....	Screw.....		
	4	1			1134-9125-01	Knivsats.....	Blade kit.....		
	5	3			9997-1060-12	Skruv.....	Screw.....		
	6	3			1134-6211-01	Knivbricka.....	Blade washer.....		

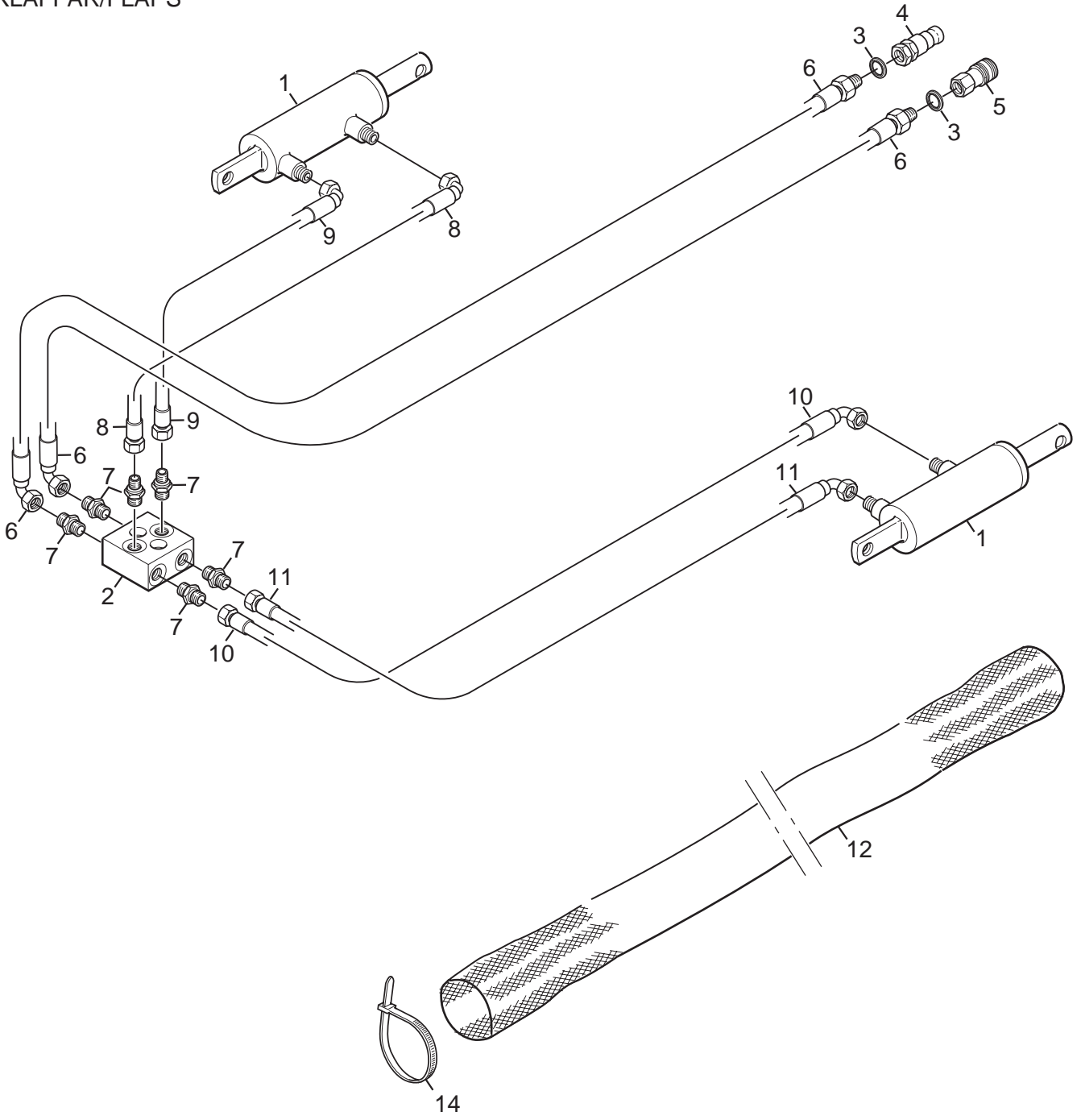


Utgåva Issue 2008- 16		Bildnr Picture No 2355		TITAN KLIPPAGGREGAT 135B- 135H RAM		TITAN MOWER DECK 135B- 135H FRAME		Sida Page 52	
Pos. Fig.	Antal/Quantity				Art nr Part No	Benämning	Description	Sats Kit	Anmärkning Notes
	7813 7823								
X	1	1			1134-6954-01	Ram.....	Frame.....		
	1A	2			9501-0500-00	• Smörjnippel.....	• Grease joint.....		
	2	2			9959-1025-16	Skruv.....	Screw.....		
	3	2			1134-5406-01	Bricka.....	Washer.....		
X	4	10			1134-7411-01	Bricka.....	Washer.....		
X	5	2			1134-7345-01	Låssprint.....	Locking pin.....		
X	8	1			1134-7330-01	Spärrbult.....	Catch bolt.....		
	9	4			1134-5686-01	Lagerbussning.....	Bearing bush.....		
	11	2			9997-1211-02	Skruv.....	Screw.....		
	12	2			9747-1231-02	Låsmutter.....	Lock nut.....		
X	13	2			1134-7410-01	Bricka.....	Washer.....		
	14	2			9699-0104-02	Bricka.....	Washer.....		
X	15	2			1134-7477-01	Hjulbygel.....	Wheel fork.....		
X	16	2			1134-7335-01	Hjul.....	Wheel.....		
	17	2			9747-1631-02	Låsmutter.....	Lock nut.....		
X	18	2			9997-1616-02	Skruv.....	Screw.....		
X	19	1			1134-7333-01	Bygel.....	Clamp.....		
	20	2			9959-1025-16	Skruv.....	Screw.....		
	21	2			9739-1031-22	Mutter.....	Nut.....		
X	22	2			1134-7002-01	Fäste.....	Support.....		
	22A	1			9501-0500-00	• Smörjnippel.....	• Grease joint.....		
X	23	4			9924-1240-16	Skruv.....	Screw.....		
	24	4			9739-1241-22	Mutter.....	Nut.....		
X	25	1			1134-7009-01	Lyftram.....	Lift frame.....		
X	26	8			9997-1045-12	Skruv.....	Screw.....		
	27	8			9747-1031-02	Låsmutter.....	Lock nut.....		
X	28	1			1134-7435-01	Spärrplatta.....	Catch.....		
	29	2			9959-1025-16	Skruv.....	Screw.....		
	30	2			9739-1031-22	Mutter.....	Nut.....		

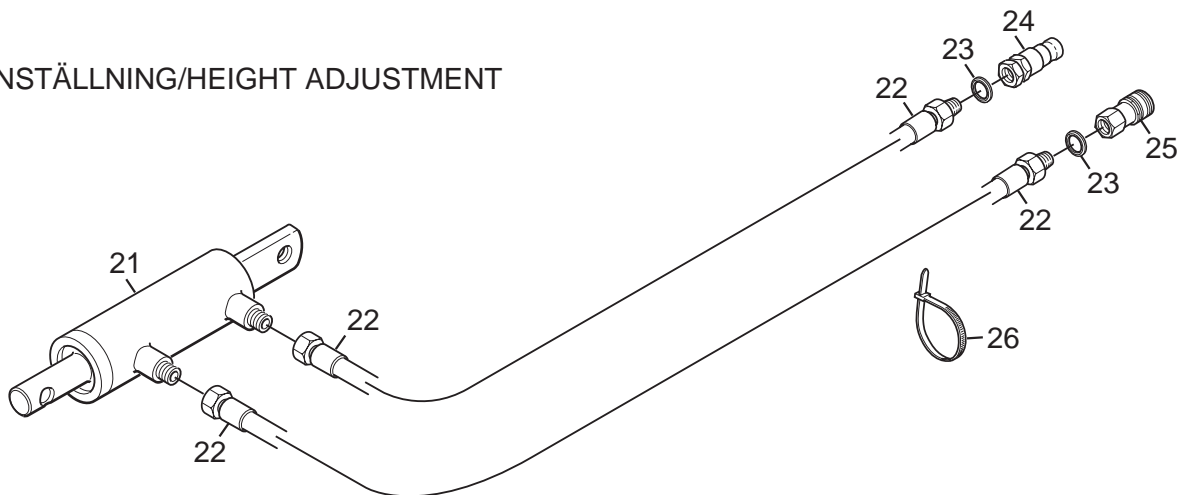


Utgåva Issue 2008- 16		Bildnr Picture No 2350		TITAN KLIPPAGGREGAT 135B- 135H KÅPA		TITAN MOWER DECK 135B- 135H CASING		Sida Page 54	
Pos. Fig.	Antal/Quantity				Art nr Part No	Benämning	Description	Sats Kit	Anmärkning Notes
	7813								
	7823								
X	1	1			1134- 6737- 01	Kåpa .....	Mower deck casing .....		Ej ill/not ill.
	1A	7			1134- 5595- 01	• Nitmutter .....	• Riveting nut .....		
X	2	2			1134- 7046- 01	Ledskena .....	Guide plate .....		
	3	4			9959- 1020- 16	Skruv .....	Screw .....		
	4	4			9739- 1031- 22	Mutter .....	Nut .....		
X	5	1			1134- 6820- 01	Slitskydd- vä .....	Wear protection- LH .....		
X	6	1			1134- 6820- 02	Slitskydd- hö .....	Wear protection- RH .....		
	7	4			9959- 1025- 16	Skruv .....	Screw .....		
	8	2			9898- 1025- 16	Skruv .....	Screw .....		
	9	2			9739- 1031- 22	Mutter .....	Nut .....		
X	10	1			1134- 6951- 01	Skyddsram .....	Protection frame .....		
X	11	1			1134- 7341- 01	Rulle .....	Roller .....		
X	12	1			1134- 0041- 09	Hylsa .....	Collar .....		
X	13	2			1134- 7341- 02	Rulle .....	Roller .....		
X	14	2			1134- 0041- 08	Hylsa .....	Collar .....		
X	15	2			9898- 1011- 02	Skruv .....	Screw .....		
X	16	1			9997- 1019- 02	Skruv .....	Screw .....		
	17	3			9739- 1031- 22	Mutter .....	Nut .....		
	19	4			9598- 0002- 02	Låsnål .....	Pin lock .....		
X	20	2			1134- 7400- 01	Sprint .....	Pin .....		
	21	2			9939- 0835- 16	Skruv .....	Screw .....		
	22	2			9739- 0831- 22	Mutter .....	Nut .....		
X	23	1			1134- 7334- 01	Styrplåt .....	Guide plate .....		
	24	2			9959- 1020- 16	Skruv .....	Screw .....		
	25	2			9739- 1031- 22	Mutter .....	Nut .....		
	26	6			9747- 0831- 02	Mutter .....	Lock nut .....		
X	27	2			1134- 7256- 01	Gummiskydd .....	Rubber guard .....		
	28	6			9897- 0825- 16	Skruv .....	Screw .....		
X	29	2			1134- 7398- 01	Hålplåt .....	Hole plate .....		
X	30	1			1134- 7252- 01	Klaff- vä .....	Flap- LH .....		
X	31	1			1134- 7252- 02	Klaff- hö .....	Flap- RH .....		
X	32	1			1134- 7254- 01	Fäste- vä .....	Bracket- LH .....		
X	33	1			1134- 7254- 02	Fäste- hö .....	Bracket- RH .....		
	34	4			9959- 1025- 16	Skruv .....	Screw .....		
	35	6			9739- 1031- 22	Mutter .....	Nut .....		
X	36	4			9548- 0016- 00	Flänslager .....	Flange bearing .....		
X	37	2			9897- 1025- 16	Skruv .....	Screw .....		

# KLAFFAR/FLAPS

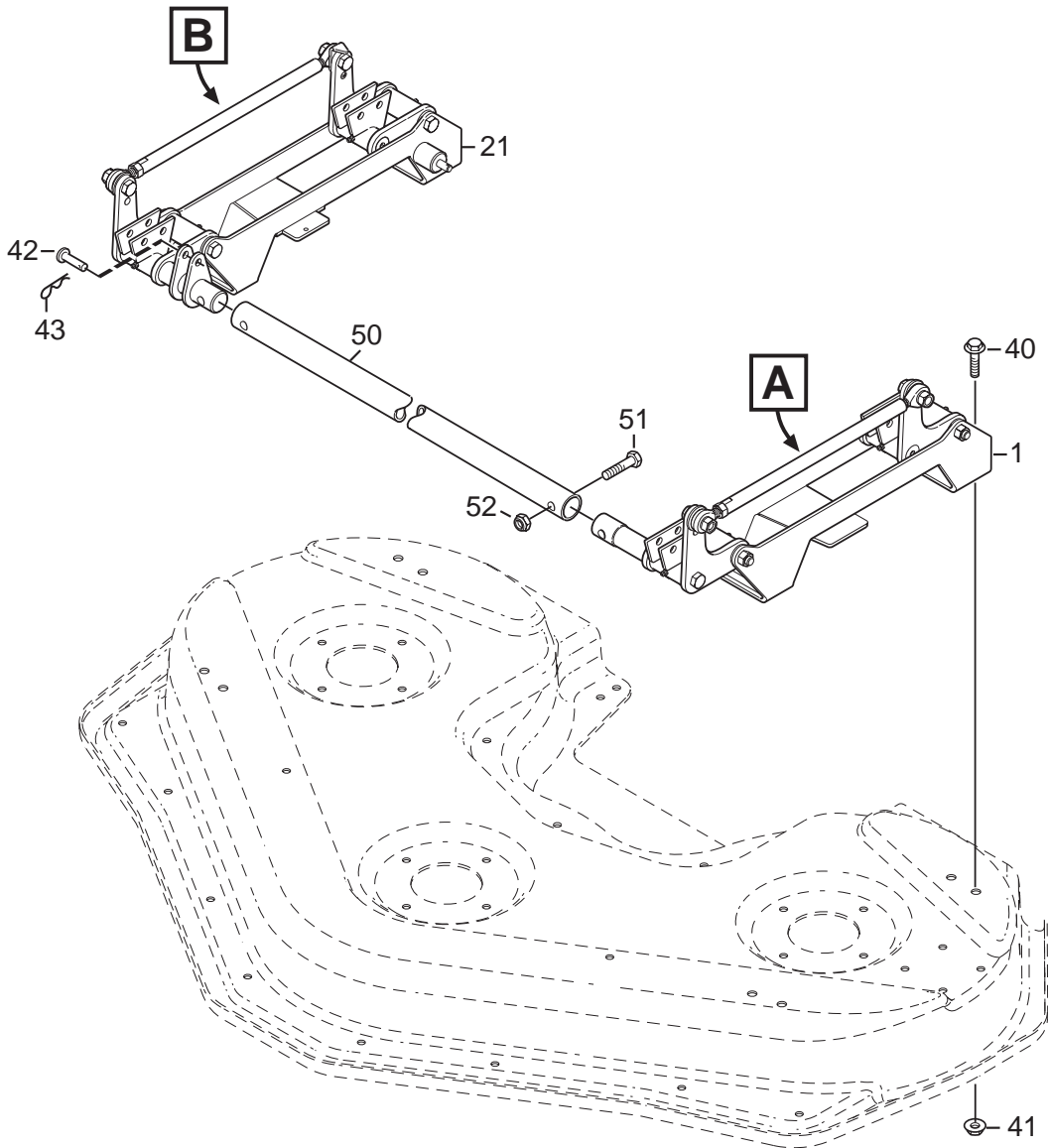
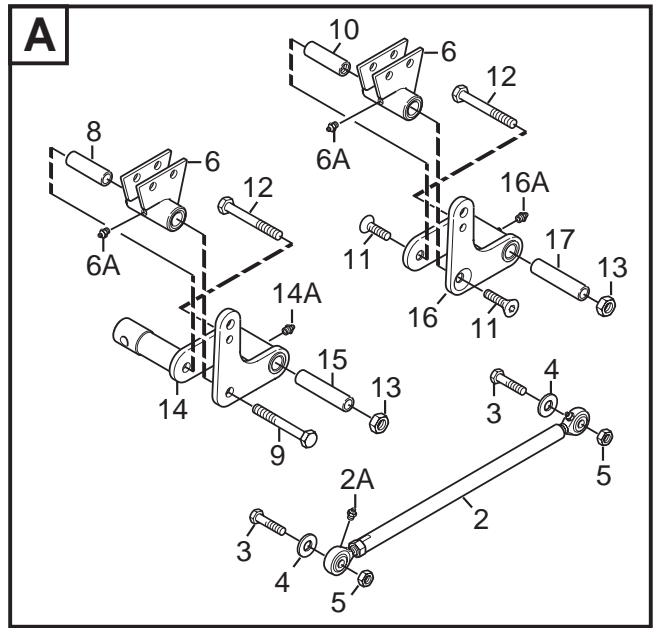
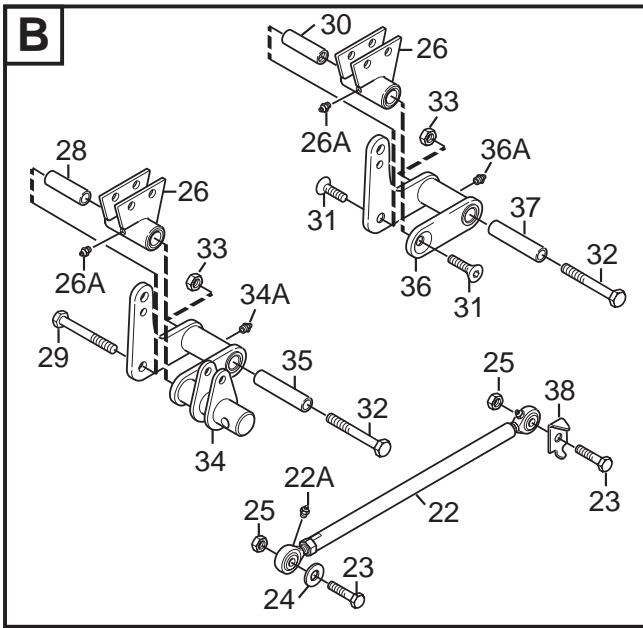


# HÖJDINSTÄLLNING/HEIGHT ADJUSTMENT

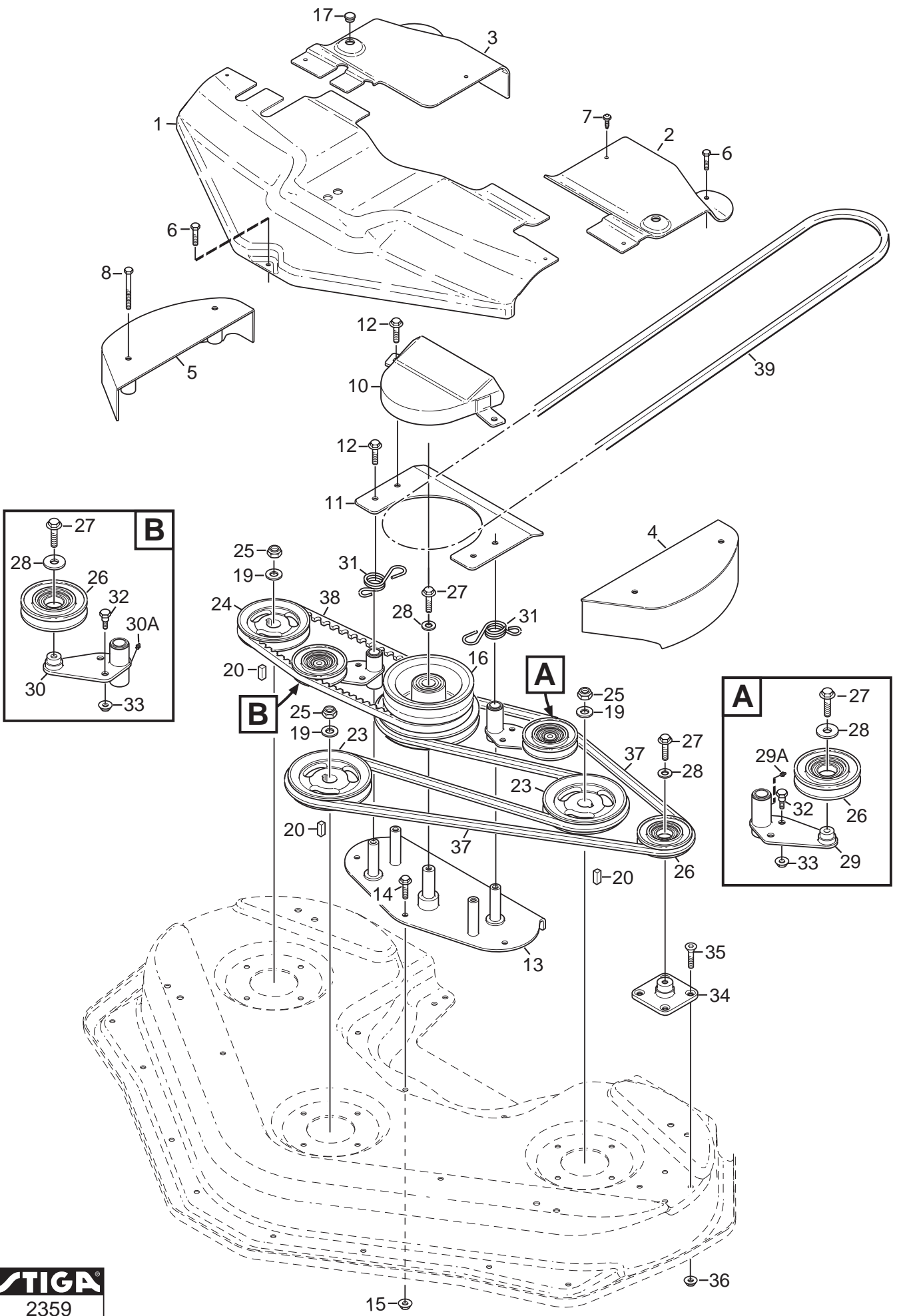




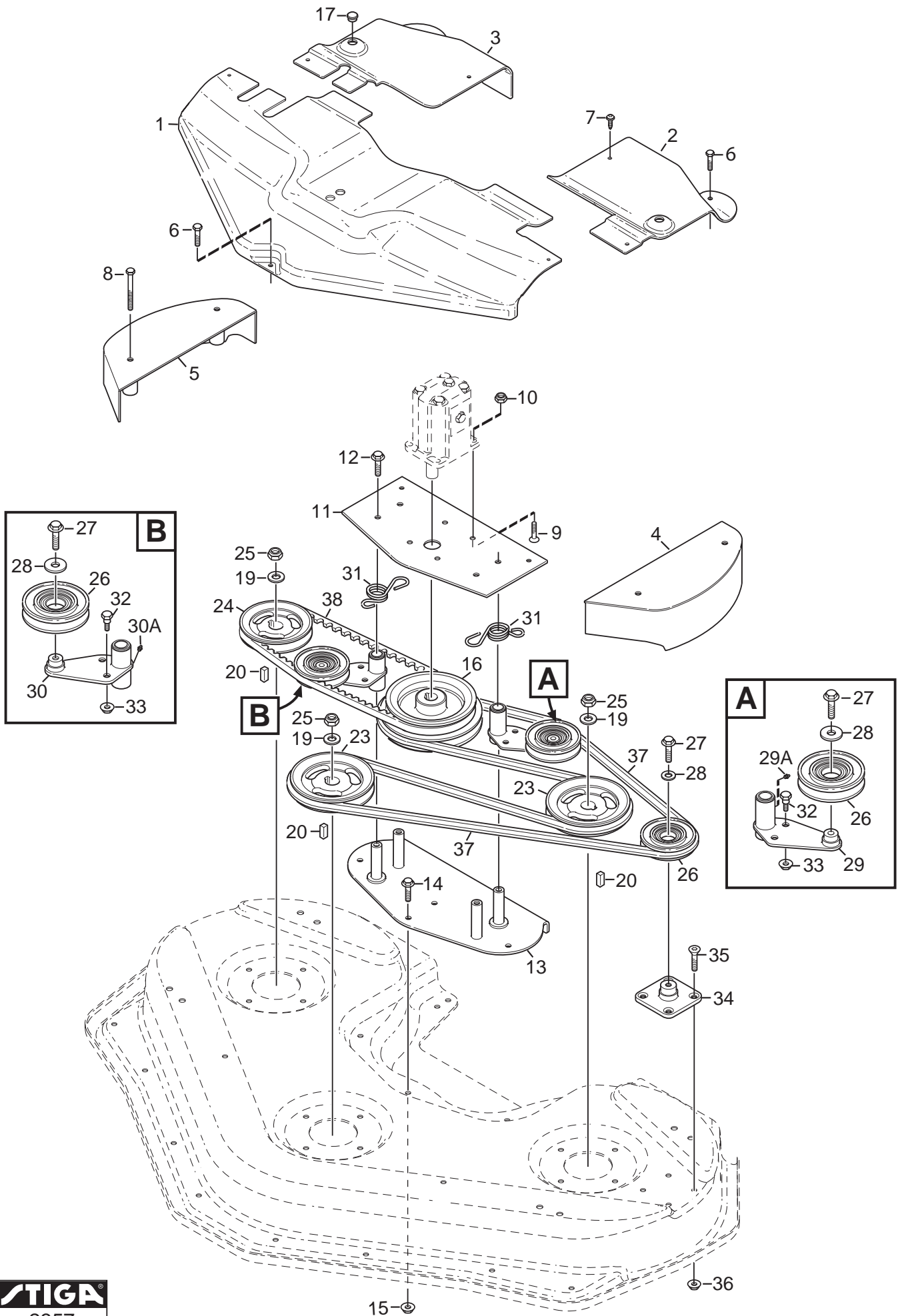
Utgåva Issue 2008- 16		Bildnr Picture No 2361		TITAN KLIPPAGGREGAT 135B- 135H REGLAGEHYDRAULIK		TITAN MOWER DECK 135B- 135H CONTROL HYDRAULICS		Sida Page 56	
Pos. Fig.	Antal/Quantity				Art nr Part No	Benämning	Description	Sats Kit	Anmärkning Notes
	7813 7823								
X	1	2			1134- 7052- 01	Hydraulcylinder .....	Hydraulic cylinder .....		
X	2	1			1134- 7332- 01	Fördelningsblock .....	Distribution block.....		
	3	2			1134- 4948- 01	Tredobricka.....	Seal washer.....		
	4	1			1134- 6042- 01	Snabbkoppling- hane.....	Quick coupling- male.....		
X	5	1			1134- 7172- 01	Snabbkoppling- hona.....	Quick coupling- female.....		
X	6	2			1134- 7287- 01	Hydraulslang 1/4" .....	Hydraulic tube 1/4" .....		
X	7	6			1134- 7165- 01	Adapter.....	Hydraulic connector .....		
X	8	1			1134- 7288- 01	Hydraulslang 1/4" .....	Hydraulic tube 1/4" .....		
X	9	1			1134- 7290- 01	Hydraulslang 1/4" .....	Hydraulic tube 1/4" .....		
X	10	1			1134- 7289- 01	Hydraulslang 1/4" .....	Hydraulic tube 1/4" .....		
X	11	1			1134- 7291- 01	Hydraulslang 1/4" .....	Hydraulic tube 1/4" .....		
X	12	1			1134- 7627- 01	Slangskydd.....	Hose guard .....		
X	14	1			9579- 0017- 01	Buntband .....	Cable tie .....		
X	21	1			1134- 7052- 01	Hydraulcylinder .....	Hydraulic cylinder .....		
X	22	2			1134- 7292- 01	Hydraulslang 1/4" .....	Hydraulic tube 1/4" .....		
	23	2			1134- 4948- 01	Tredobricka.....	Seal washer.....		
	24	1			1134- 6042- 01	Snabbkoppling- hane.....	Quick coupling- male.....		
X	25	1			1134- 7172- 01	Snabbkoppling- hona.....	Quick coupling- female.....		
X	26	1			9579- 0016- 01	Buntband- gult.....	Cable tie- yellow .....		



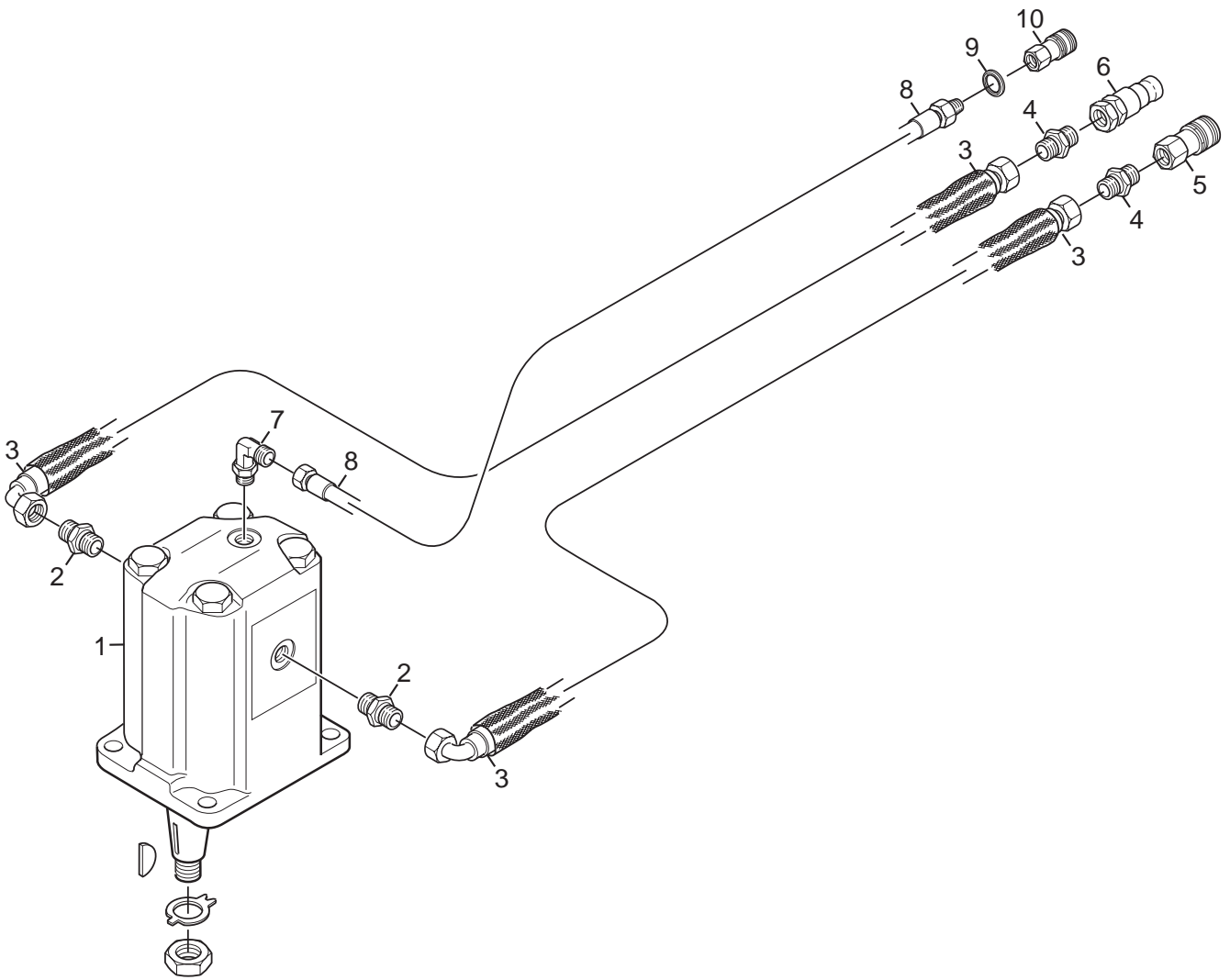
Utgåva Issue		Bildnr Picture No		TITAN KLIPPAGGREGAT 135B- 135H HÖJDINSTÄLLNING		TITAN MOWER DECK 135B- 135H HEIGHT ADJUST		Sida Page	
2008- 16		2354						58	
Pos. Fig.	Antal/Quantity				Art nr Part No	Benämning	Description	Sats Kit	Anmärkning Notes
	7813								
7823									
X	1	1			1134-6901-01	Fäste- vä kpl.....	Attachment- LH assy .....		Inkl. pos 2 - 17
X	2	1			1134-6904-01	• Parallellstlag kpl .....	• Parallel rod .....		
	2A	2			9501-0500-00	•• Smörjnippel .....	•• Grease joint .....		
X	3	2			9997-1240-16	• Skruv .....	• Screw .....		
	4	2			9699-0121-02	• Planbricka .....	• Flat washer .....		
	5	2			9747-1231-02	• Låsmutter .....	• Lock nut .....		
X	6	2			1134-6907-01	• Fäste kpl .....	• Bracket assy .....		
	6A	1			9501-0500-00	•• Smörjnippel .....	•• Grease joint .....		
X	8	1			1134-6900-02	• Axel .....	• Axle .....		L = 63
	9	1			9997-1211-02	• Skruv .....	• Screw .....		
X	10	1			1134-6900-03	• Axel (gängad) .....	• Axle (threaded).....		L = 63
X	11	2			9924-1220-16	• Skruv .....	• Screw .....		
	12	2			9997-1211-02	• Skruv .....	• Screw .....		
	13	2			9799-1231-02	• Mutter .....	• Nut .....		
X	14	1			1134-6857-01	• Pivotplatta .....	• Pivot plate .....		
	14A	1			9501-0500-00	•• Smörjnippel .....	•• Grease joint .....		
X	15	1			1134-6900-01	• Axel .....	• Axle .....		L = 84
X	16	1			1134-6859-01	• Pivotplatta .....	• Pivot plate .....		
	16A	1			9501-0500-00	•• Smörjnippel .....	•• Grease joint .....		
X	17	1			1134-6900-01	• Axel .....	• Axle .....		L = 84
X	21	1			1134-7651-01	Fäste- hö kpl .....	Attachment- RH assy.....		Inkl. pos 22 - 38
X	22	1			1134-6904-01	• Parallellstlag kpl .....	• Parallel rod .....		
	22A	2			9501-0500-00	•• Smörjnippel .....	•• Grease joint .....		
X	23	2			9997-1240-16	• Skruv .....	• Screw .....		
	24	1			9699-0121-02	• Planbricka .....	• Flat washer .....		
	25	2			9747-1231-02	• Låsmutter .....	• Lock nut .....		
X	26	2			1134-6907-01	• Fäste kpl .....	• Bracket assy .....		
	26A	1			9501-0500-00	•• Smörjnippel .....	•• Grease joint .....		
X	28	1			1134-6900-02	• Axel .....	• Axle .....		L = 63
	29	1			9997-1211-02	• Skruv .....	• Screw .....		
X	30	1			1134-6900-03	• Axel (gängad) .....	• Axle (threaded).....		L = 63
X	31	2			9924-1220-16	• Skruv .....	• Screw .....		
	32	2			9997-1211-02	• Skruv .....	• Screw .....		
	33	2			9799-1231-02	• Mutter .....	• Nut .....		
X	34	1			1134-7650-01	• Pivotplatta .....	• Pivot plate .....		
	34A	1			9501-0500-00	•• Smörjnippel .....	•• Grease joint .....		
X	35	1			1134-6900-01	• Axel .....	• Axle .....		L = 84
X	36	1			1134-6860-01	• Pivotplatta .....	• Pivot plate .....		
	36A	1			9501-0500-00	•• Smörjnippel .....	•• Grease joint .....		
X	37	1			1134-6900-01	• Axel .....	• Axle .....		L = 84
X	38	1			1134-7239-01	• Pil .....	• Arrow .....		
X	40	8			9959-1230-16	Skruv .....	Screw .....		
	41	8			9739-1241-22	Mutter .....	Nut .....		
X	42	2			1134-7400-01	Sprint.....	Pin .....		
	43	2			9598-0002-02	Låsnål .....	Pin lock .....		
X	50	1			1134-7005-01	Framaxel.....	Front axle .....		
X	51	2			9997-1255-12	Skruv .....	Screw .....		
	52	2			9747-1231-02	Låsmutter .....	Lock nut .....		



Utgåva Issue		Bildnr Picture No		TITAN KLIPPAGGREGAT 135B TRANSMISSION		TITAN MOWER DECK 135B TRANSMISSION		Sida Page	
2008- 16		2359						60	
Pos. Fig.	Antal/Quantity				Art nr Part No	Benämning	Description	Sats Kit	Anmärkning Notes
	7813								
X	1	1			1134-7406-01	Transmissionskåpa .....	Transmission cover .....		
X	2	1			1134-7407-01	Transmissionskåpa- vä .....	Transm.cover- LH .....		
X	3	1			1134-7408-01	Transmissionskåpa- hö .....	Transm.cover- RH .....		
X	4	1			1134-7280-01	Transmissionskåpa- vä .....	Transm.cover- LH .....		
X	5	1			1134-7280-02	Transmissionskåpa- hö .....	Transm.cover- RH .....		
	6	5			9997-0820-16	Skruv .....	Screw .....		
	7	2			9893-0616-16	Skruv .....	Screw .....		
	8	4			9997-0880-16	Skruv .....	Screw .....		
X	10	1			1134-7478-01	Remstyrning .....	Belt guide .....		
X	11	1			1134-7319-01	Styrplåt .....	Guide plate .....		
	12	4			9959-1025-16	Skruv .....	Screw .....		
X	13	1			1134-7069-01	Hylla .....	Plate .....		
	14	3			9959-1020-16	Skruv .....	Screw .....		
	15	3			9739-1031-22	Mutter .....	Nut .....		
X	16	1			1134-7126-01	Remskiva .....	Belt pulley .....		
X	17	4			1134-7518-01	Plastplugg .....	Plastic plug .....		
	19	3			9699-0119-02	Bricka .....	Washer .....		
	20	3			9600-0170-00	Plattkil .....	Flat key .....		
X	23	2			1134-6974-01	Remskiva .....	Belt pulley .....		Ø = 164
X	24	1			1134-6975-01	Remskiva .....	Belt pulley .....		Ø = 149
X	25	3			9747-2031-02	Mutter .....	Nut .....		
X	26	3			1134-7124-01	Spännrulle .....	Tension roller .....		Ø = 109
	27	4			9959-1025-16	Skruv .....	Screw .....		
	28	4			1134-5406-01	Bricka .....	Washer .....		
X	29	1			1134-7302-01	Remspännare- vä .....	Belt tensioner- LH .....		
	29A	1			9501-0500-00	• Smörjnippel .....	• Grease joint .....		
X	30	1			1134-7303-01	Remspännare- hö .....	Belt tensioner- RH .....		
	30A	1			9501-0500-00	• Smörjnippel .....	• Grease joint .....		
X	31	2			1134-7393-01	Fjäder .....	Spring .....		
	32	2			1134-0240-01	Ansatsskruv .....	Shoulder screw .....		
	33	2			9739-0831-22	Mutter .....	Nut .....		
X	34	1			1134-7307-01	Platta .....	Plate .....		
X	35	4			9924-1025-16	Skruv .....	Screw .....		
	36	4			9739-1031-22	Mutter .....	Nut .....		
X	37	1			9585-0178-01	Kilrem (dubbel) .....	V- belt (double) .....		
X	38	1			9585-0182-01	Kilrem .....	V- belt .....		
X	39	1			9585-0180-01	Kilrem .....	V- belt .....		

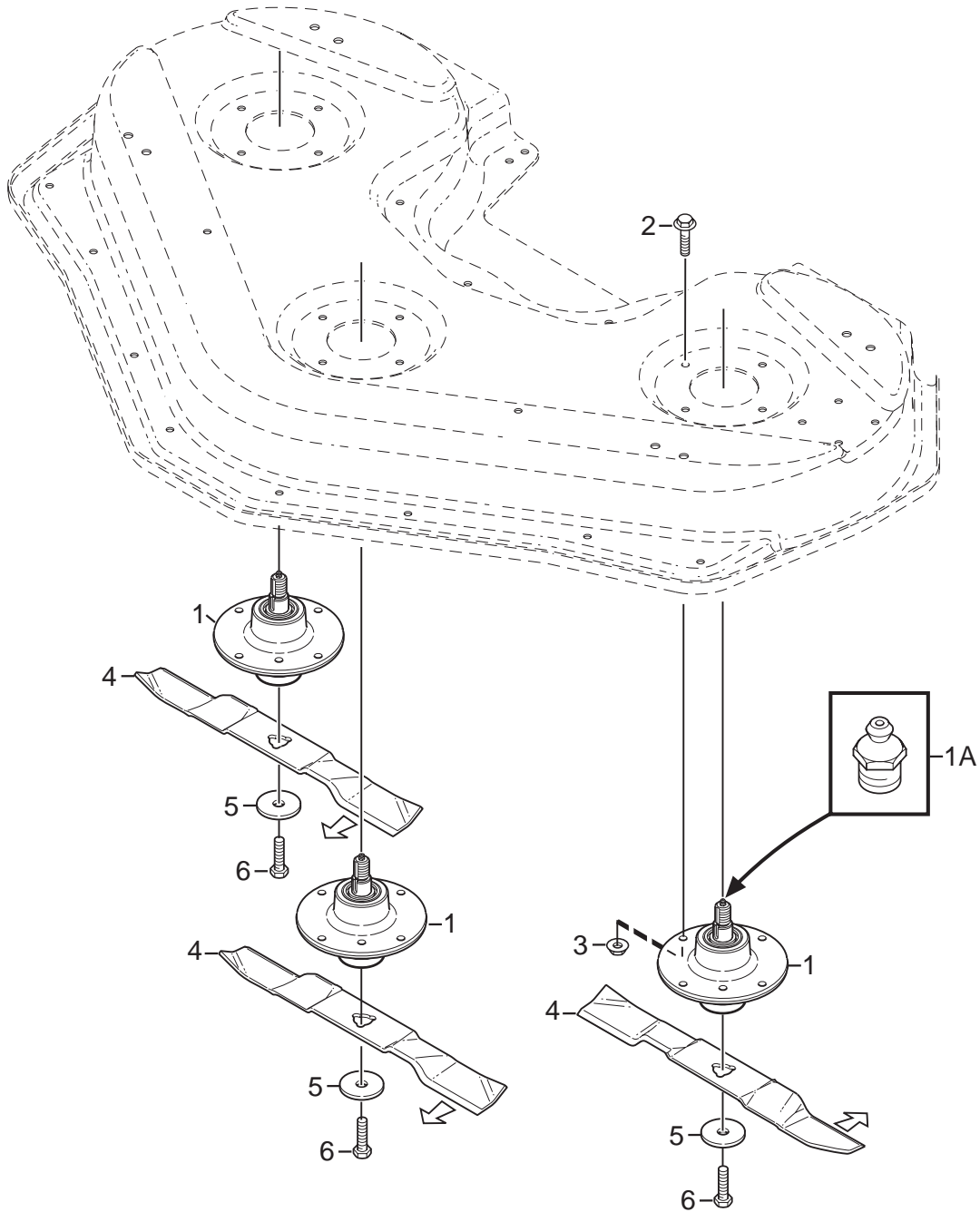


Utgåva Issue		Bildnr Picture No		TITAN KLIPPAGGREGAT 135H TRANSMISSION		TITAN MOWER DECK 135H TRANSMISSION		Sida Page	
2008- 16		2357						62	
Pos. Fig.	Antal/Quantity				Art nr Part No	Benämning	Description	Sats Kit	Anmärkning Notes
	7823								
X	1	1			1134-7406-01	Transmissionskåpa .....	Transmission cover .....		
X	2	1			1134-7407-01	Transmissionskåpa- vä .....	Transm.cover- LH .....		
X	3	1			1134-7408-01	Transmissionskåpa- hö .....	Transm.cover- RH .....		
X	4	1			1134-7280-01	Transmissionskåpa- vä .....	Transm.cover- LH .....		
X	5	1			1134-7280-02	Transmissionskåpa- hö .....	Transm.cover- RH .....		
	6	5			9997-0820-16	Skruv .....	Screw .....		
	7	2			9893-0616-16	Skruv .....	Screw .....		
	8	4			9997-0880-16	Skruv .....	Screw .....		
X	9	4			9924-0830-16	Skruv .....	Screw .....		
	10	4			9747-0831-02	Mutter .....	Lock nut .....		
X	11	1			1134-7062-01	Motorfäste .....	Motor plate .....		
	12	4			9959-1025-16	Skruv .....	Screw .....		
X	13	1			1134-7068-01	Hylla .....	Plate .....		
	14	3			9959-1020-16	Skruv .....	Screw .....		
	15	3			9739-1031-22	Mutter .....	Nut .....		
X	16	1			1134-6979-01	Remskiva .....	Belt pulley .....		Ø = 164
X	17	4			1134-7518-01	Plastplugg .....	Plastic plug .....		Ø = 149
	19	3			9699-0119-02	Bricka .....	Washer .....		
	20	3			9600-0170-00	Plattkil .....	Flat key .....		
X	23	2			1134-6974-01	Remskiva .....	Belt pulley .....		Ø = 109
X	24	1			1134-6975-01	Remskiva .....	Belt pulley .....		
X	25	3			9747-2031-02	Mutter .....	Nut .....		
X	26	3			1134-7124-01	Spännrulle .....	Tension roller .....		
	27	3			9959-1025-16	Skruv .....	Screw .....		
	28	3			1134-5406-01	Bricka .....	Washer .....		
X	29	1			1134-7302-01	Remspännare- vä .....	Belt tensioner- LH .....		
	29A	1			9501-0500-00	• Smörjnippel .....	• Grease joint .....		
X	30	1			1134-7303-01	Remspännare- hö .....	Belt tensioner- RH .....		
	30A	1			9501-0500-00	• Smörjnippel .....	• Grease joint .....		
X	31	2			1134-7393-01	Fjäder .....	Spring .....		
	32	2			1134-0240-01	Ansatssskruv .....	Shoulder screw .....		
	33	2			9739-0831-22	Mutter .....	Nut .....		
X	34	1			1134-7307-01	Platta .....	Plate .....		
X	35	4			9924-1025-16	Skruv .....	Screw .....		
	36	4			9739-1031-22	Mutter .....	Nut .....		
X	37	1			9585-0178-01	Kilrem (dubbel) .....	V- belt (double) .....		
X	38	1			9585-0182-01	Kilrem .....	V- belt .....		

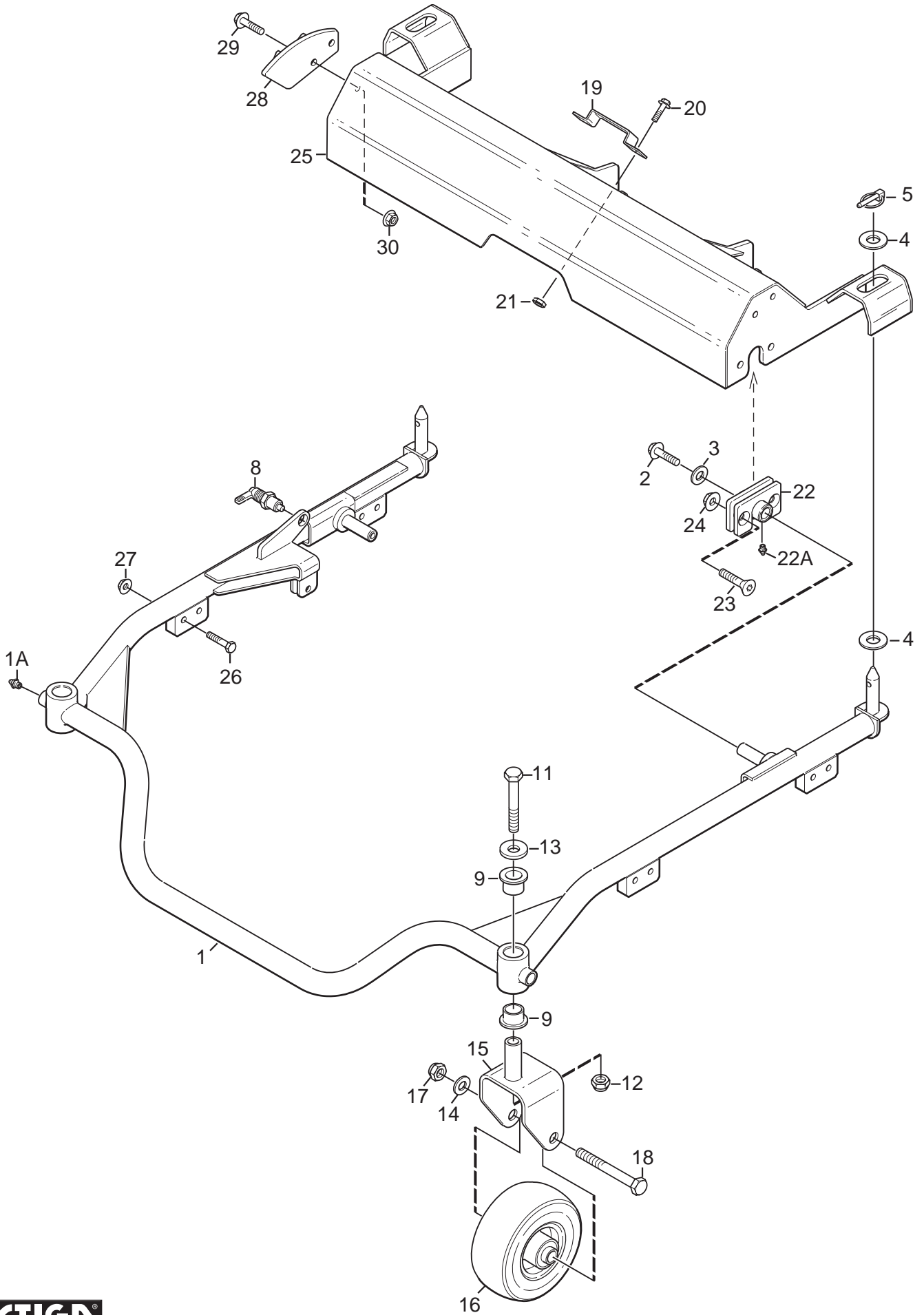




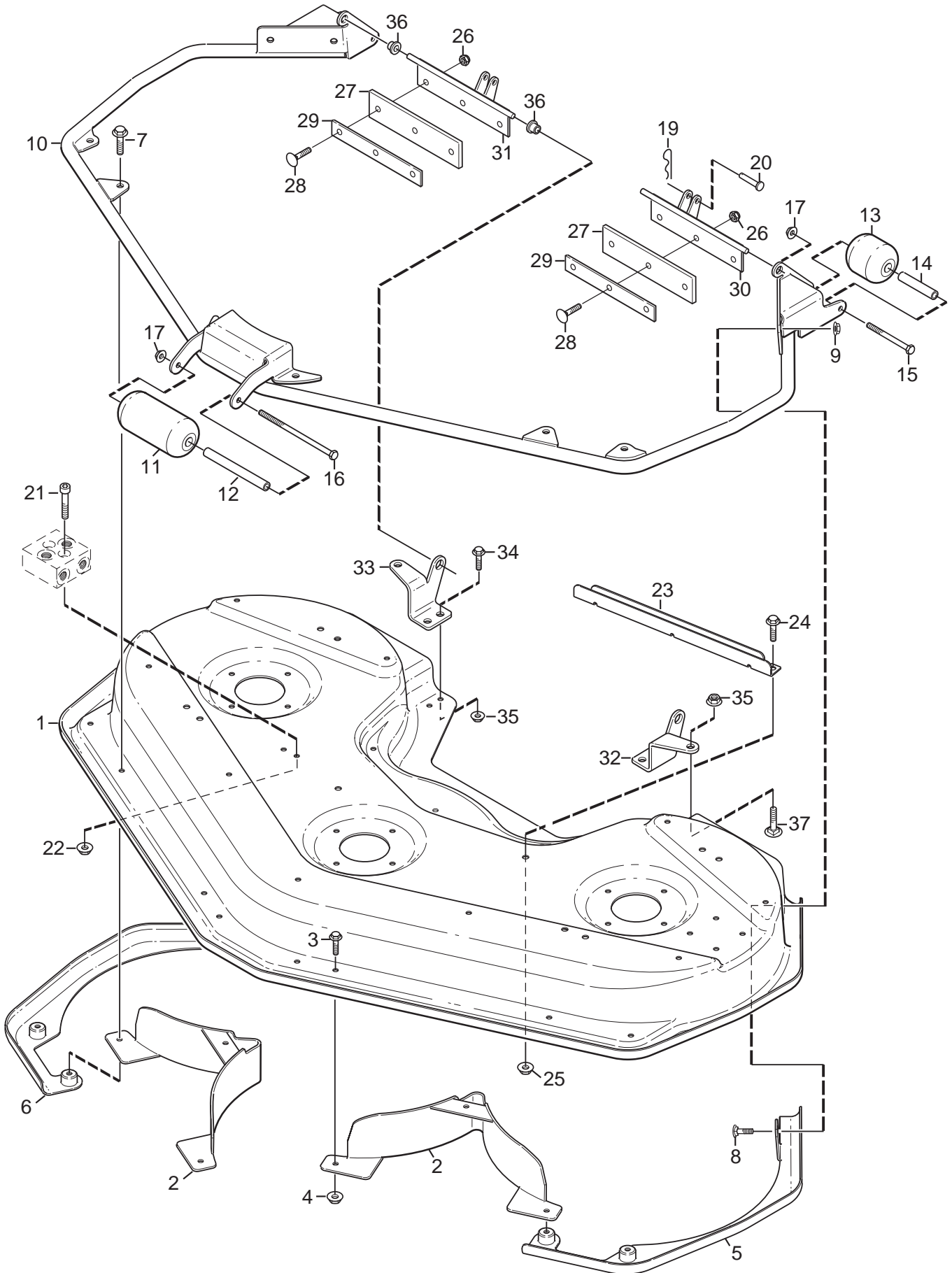
Utgåva Issue		Bildnr Picture No		TITAN KLIPPAGGREGAT 135H MOTORHYDRAULIK		TITAN MOWER DECK 135H MOTOR HYDRAULIC		Sida Page	
2008- 16		2362						64	
Pos. Fig.	Antal/Quantity				Art nr Part No	Benämning	Description	Sats Kit	Anmärkning Notes
	7823								
X	1	1			1134-7329-01	Hydraulmotor .....	Hydraulic motor .....		
X	2	2			1134-7315-01	Adapter .....	Hydraulic connector .....		
X	3	2			1134-7630-01	Hydraulslang 1/2" .....	Hydraulic tube 1/2" .....		
X	4	2			1134-7161-01	Adapter .....	Hydraulic connector .....		
X	5	1			1134-7182-01	Snabbkoppling- hona .....	Quick coupling- female .....		
X	6	1			1134-7181-01	Snabbkoppling- hane .....	Quick coupling- male .....		
	7	1			1134-5806-01	Vinkeladapter .....	Angle coupling .....		
X	8	1			1134-7294-01	Hydraulslang 1/4" .....	Hydraulic tube 1/4" .....		
	9	1			1134-4948-01	Tredobricka .....	Seal washer .....		
X	10	1			1134-7172-01	Snabbkoppling- hona .....	Quick coupling- female .....		





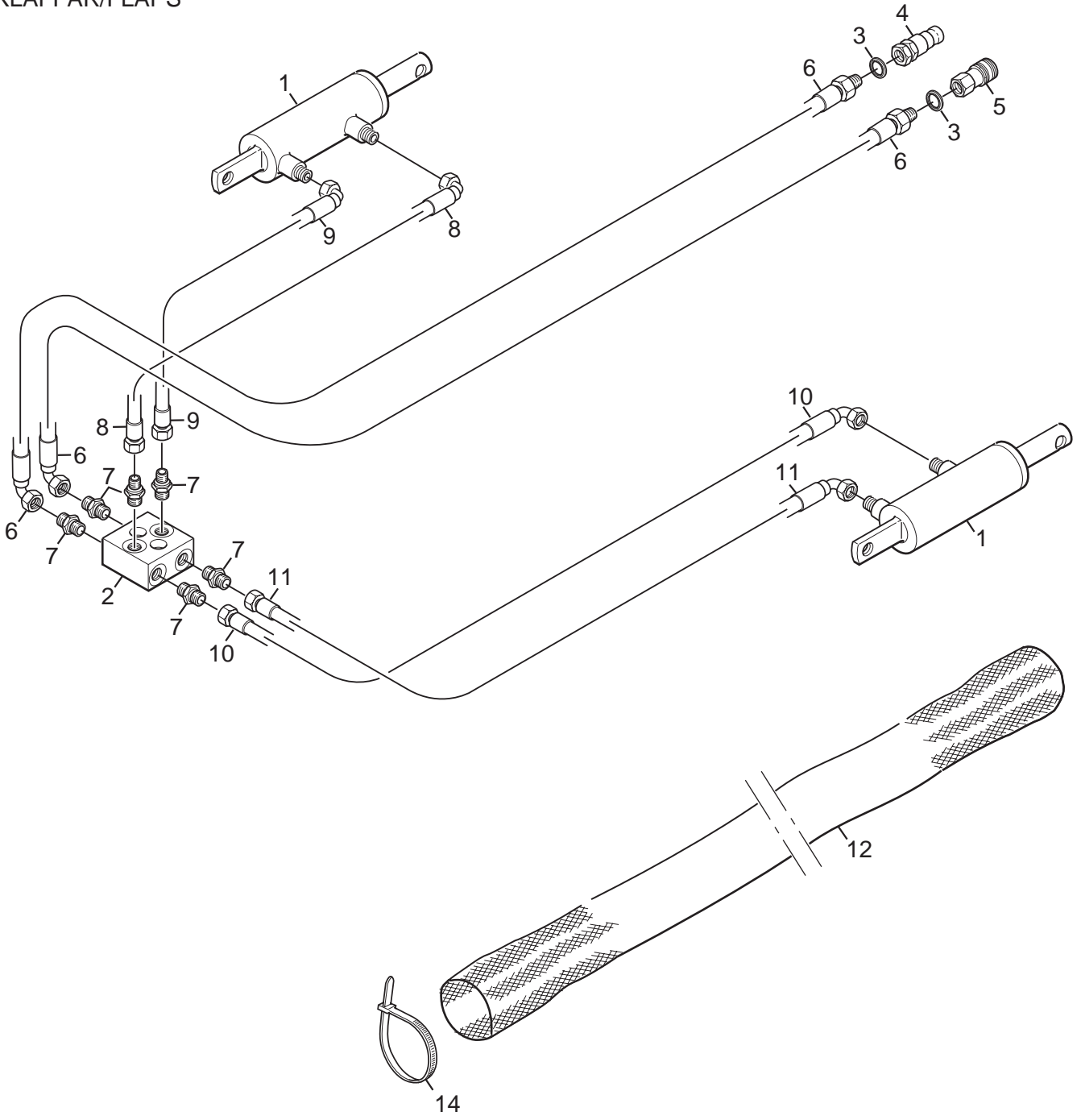


Utgåva Issue 2008- 16		Bildnr Picture No 2355		TITAN KLIPPAGGREGAT 155B- 155H RAM		TITAN MOWER DECK 155B- 155H FRAME		Sida Page 68	
Pos. Fig.	Antal/Quantity				Art nr Part No	Benämning	Description	Sats Kit	Anmärkning Notes
	7815								
X	1	1			1134-6954-01	Ram.....	Frame.....		
	1A	2			9501-0500-00	• Smörjnippel.....	• Grease joint.....		
	2	2			9959-1025-16	Skruv.....	Screw.....		
	3	2			1134-5406-01	Bricka.....	Washer.....		
X	4	10			1134-7411-01	Bricka.....	Washer.....		
X	5	2			1134-7345-01	Låssprint.....	Locking pin.....		
X	8	1			1134-7330-01	Spärrbult.....	Catch bolt.....		
	9	4			1134-5686-01	Lagerbussning.....	Bearing bush.....		
	11	2			9997-1211-02	Skruv.....	Screw.....		
	12	2			9747-1231-02	Låsmutter.....	Lock nut.....		
X	13	2			1134-7410-01	Bricka.....	Washer.....		
	14	2			9699-0104-02	Bricka.....	Washer.....		
X	15	2			1134-7477-01	Hjulbygel.....	Wheel fork.....		
X	16	2			1134-7335-01	Hjul.....	Wheel.....		
	17	2			9747-1631-02	Låsmutter.....	Lock nut.....		
X	18	2			9997-1616-02	Skruv.....	Screw.....		
X	19	1			1134-7333-01	Bygel.....	Clamp.....		
	20	2			9959-1025-16	Skruv.....	Screw.....		
	21	2			9739-1031-22	Mutter.....	Nut.....		
X	22	2			1134-7002-01	Fäste.....	Support.....		
	22A	1			9501-0500-00	• Smörjnippel.....	• Grease joint.....		
X	23	4			9924-1240-16	Skruv.....	Screw.....		
	24	4			9739-1241-22	Mutter.....	Nut.....		
X	25	1			1134-7009-01	Lyftram.....	Lift frame.....		
X	26	8			9997-1045-12	Skruv.....	Screw.....		
	27	8			9747-1031-02	Låsmutter.....	Lock nut.....		
X	28	1			1134-7435-01	Spärrplatta.....	Catch.....		
	29	2			9959-1025-16	Skruv.....	Screw.....		
	30	2			9739-1031-22	Mutter.....	Nut.....		

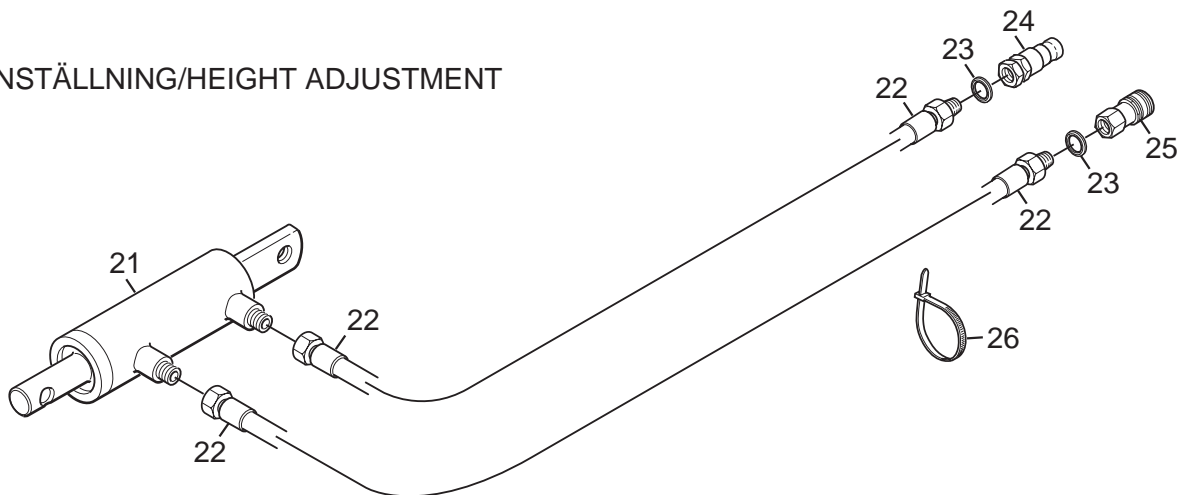


Utgåva Issue		Bildnr Picture No		TITAN KLIPPAGGREGAT 155B- 155H KÅPA		TITAN MOWER DECK 155B- 155H CASING		Sida Page 70	
Pos. Fig.	Antal/Quantity				Art nr Part No	Benämning	Description	Sats Kit	Anmärkning Notes
	7815								
X	1	1			1134-6715-01	Kåpa .....	Mower deck casing .....		Ej ill/not ill.
	1A	7			1134-5595-01	• Nitmutter .....	• Riveting nut .....		
X	2	2			1134-7045-01	Ledskena .....	Guide plate .....		
X	3	4			9959-1020-16	Skruv .....	Screw .....		
	4	4			9739-1031-22	Mutter .....	Nut .....		
X	5	1			1134-6758-01	Slitskydd- vä .....	Wear protection- LH .....		
X	6	1			1134-6758-02	Slitskydd- hö .....	Wear protection- RH .....		
	7	4			9959-1025-16	Skruv .....	Screw .....		
	8	2			9898-1025-16	Skruv .....	Screw .....		
	9	2			9739-1031-22	Mutter .....	Nut .....		
X	10	1			1134-6949-01	Skyddsram .....	Protection frame .....		
X	11	1			1134-7341-01	Rulle .....	Roller .....		
X	12	1			1134-0041-09	Hylsa .....	Collar .....		
X	13	2			1134-7341-02	Rulle .....	Roller .....		
X	14	2			1134-0041-08	Hylsa .....	Collar .....		
X	15	2			9898-1011-02	Skruv .....	Screw .....		
X	16	1			9997-1019-02	Skruv .....	Screw .....		
	17	3			9739-1031-22	Mutter .....	Nut .....		
	19	4			9598-0002-02	Låsnål .....	Pin lock .....		
X	20	2			1134-7400-01	Sprint .....	Pin .....		
	21	2			9939-0835-16	Skruv .....	Screw .....		
	22	2			9739-0831-22	Mutter .....	Nut .....		
X	23	1			1134-7334-01	Styrplåt .....	Guide plate .....		
	24	2			9959-1020-16	Skruv .....	Screw .....		
	25	2			9739-1031-22	Mutter .....	Nut .....		
	26	6			9747-0831-02	Mutter .....	Lock nut .....		
X	27	2			1134-7256-01	Gummiskydd .....	Rubber guard .....		
	28	6			9897-0825-16	Skruv .....	Screw .....		
X	29	2			1134-7398-01	Hålplåt .....	Hole plate .....		
X	30	1			1134-7250-01	Klaff- vä .....	Flap- LH .....		
X	31	1			1134-7250-02	Klaff- hö .....	Flap- RH .....		
X	32	1			1134-7254-01	Fäste- vä .....	Bracket- LH .....		
X	33	1			1134-7254-02	Fäste- hö .....	Bracket- RH .....		
	34	4			9959-1025-16	Skruv .....	Screw .....		
	35	6			9739-1031-22	Mutter .....	Nut .....		
X	36	4			9548-0016-00	Flänslager .....	Flange bearing .....		
X	37	2			9897-1025-16	Skruv .....	Screw .....		

# KLAFFAR/FLAPS

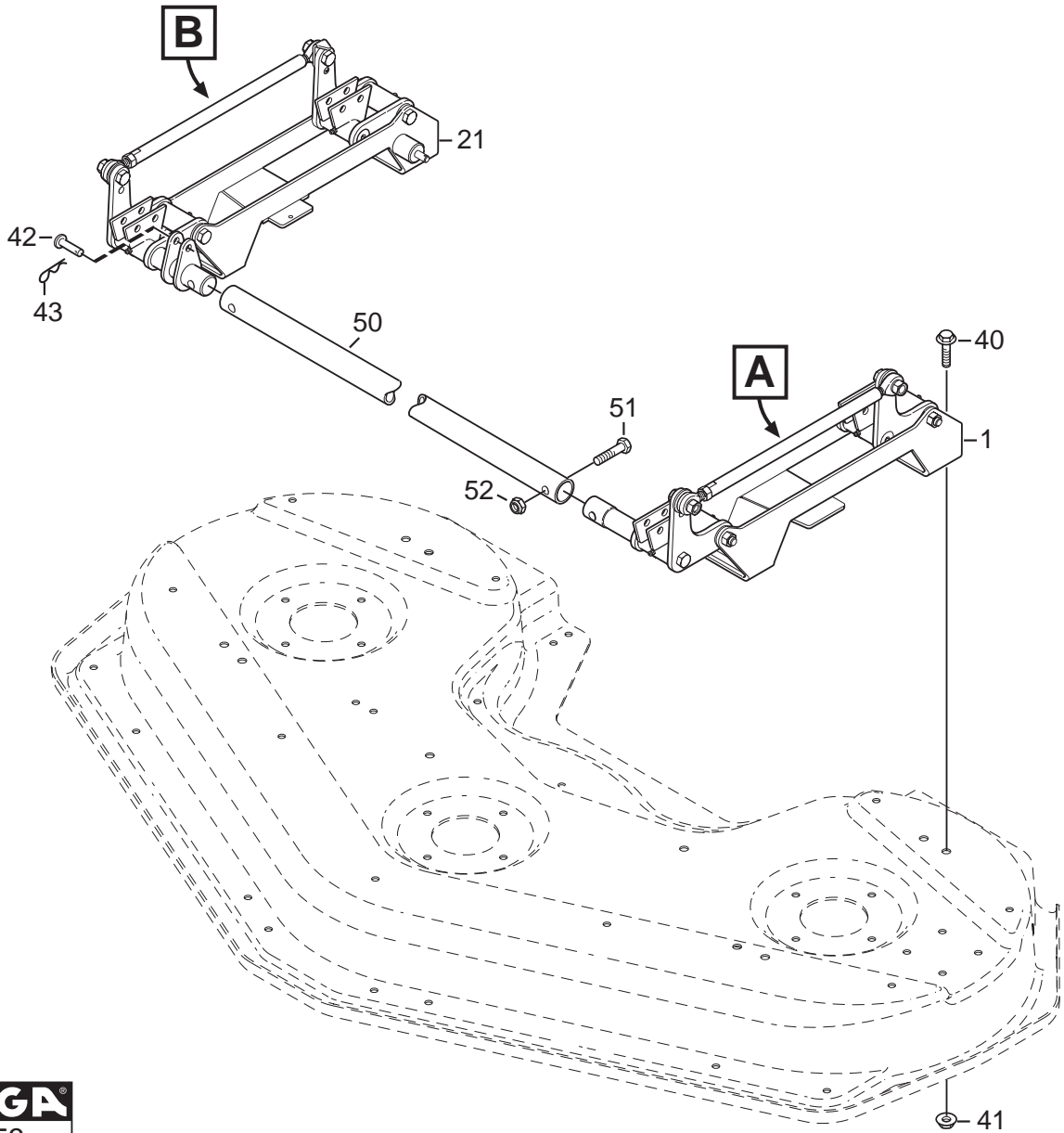
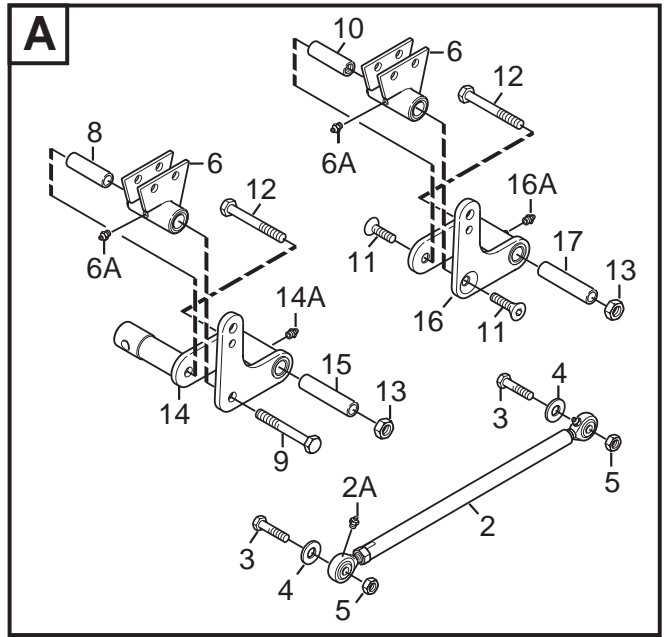
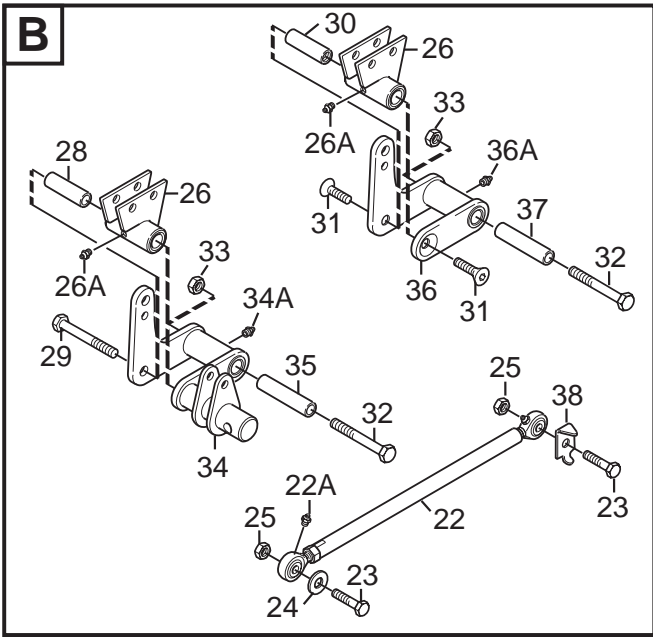


# HÖJDINSTÄLLNING/HEIGHT ADJUSTMENT

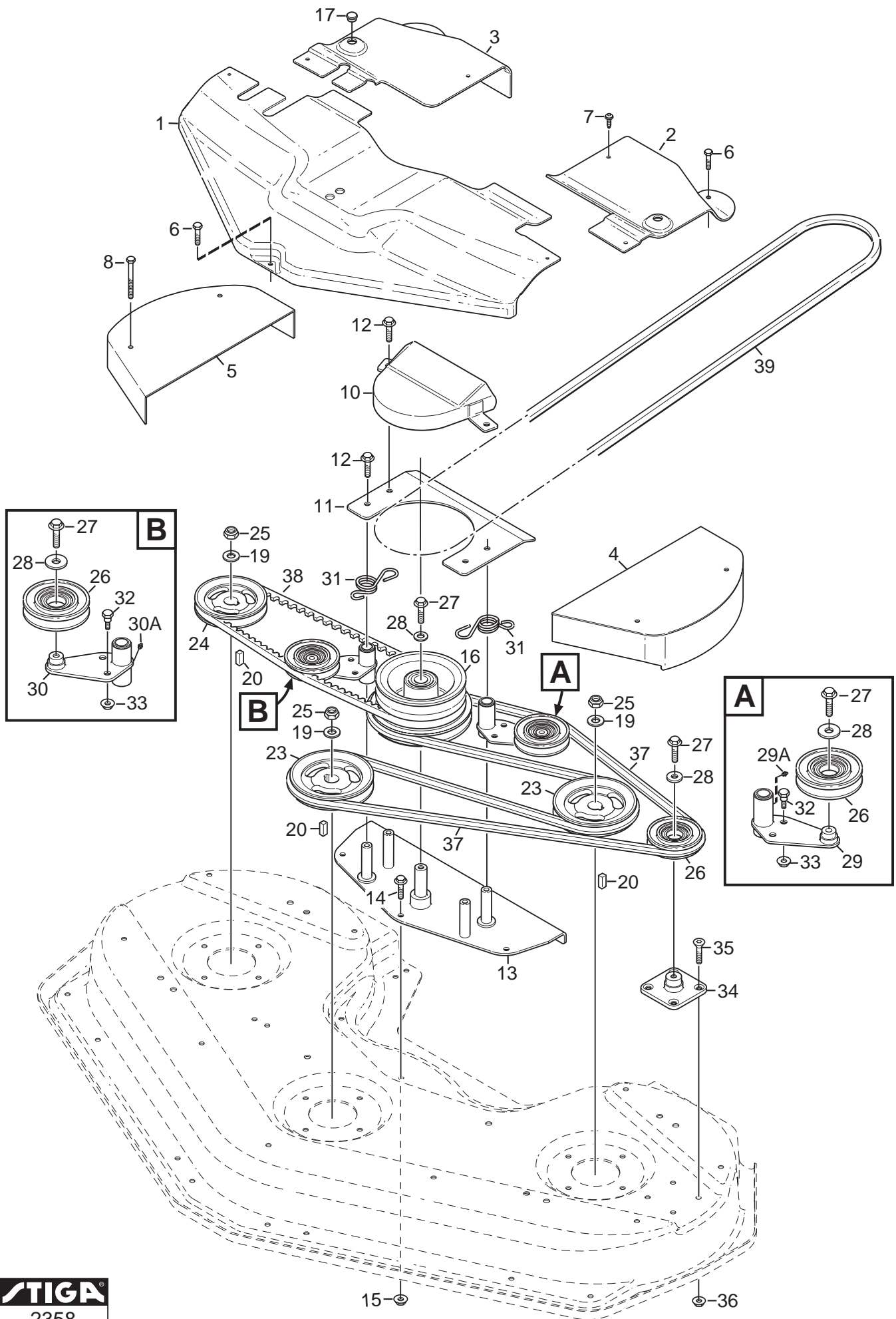




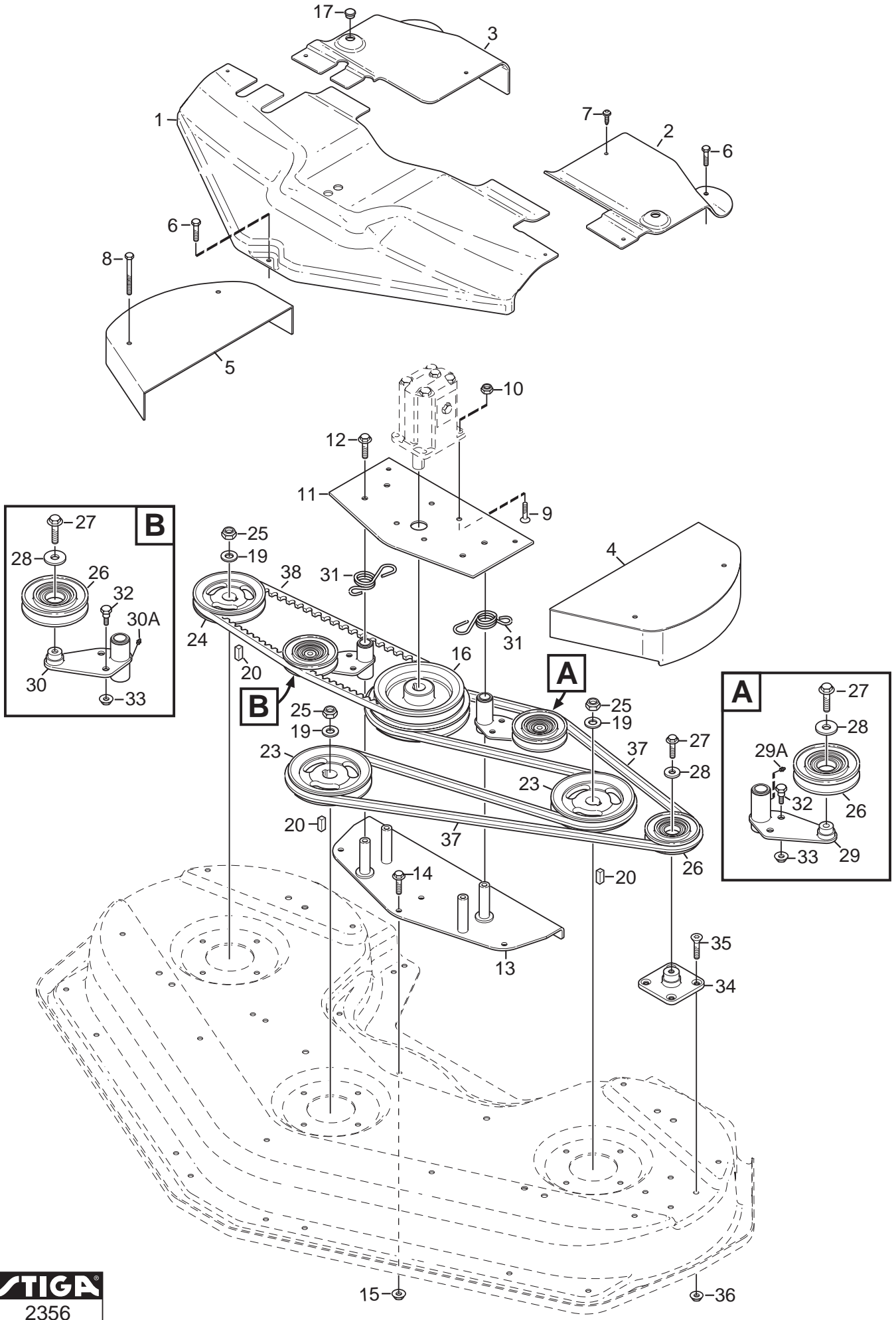
Utgåva Issue 2008- 16		Bildnr Picture No 2361		TITAN KLIPPAGGREGAT 155B- 155H REGLAGEHYDRAULIK		TITAN MOWER DECK 155B- 155H CONTROL HYDRAULICS		Sida Page 72	
Pos. Fig.	Antal/Quantity				Art nr Part No	Benämning	Description	Sats Kit	Anmärkning Notes
	7815								
X	1	2			1134- 7052- 01	Hydraulcylinder .....	Hydraulic cylinder .....		
X	2	1			1134- 7332- 01	Fördelningsblock .....	Distribution block.....		
	3	2			1134- 4948- 01	Tredobricka.....	Seal washer.....		
	4	1			1134- 6042- 01	Snabbkoppling- hane.....	Quick coupling- male.....		
X	5	1			1134- 7172- 01	Snabbkoppling- hona.....	Quick coupling- female.....		
X	6	2			1134- 7287- 01	Hydraulslang 1/4" .....	Hydraulic tube 1/4".....		
X	7	6			1134- 7165- 01	Adapter.....	Hydraulic connector .....		
X	8	1			1134- 7288- 01	Hydraulslang 1/4" .....	Hydraulic tube 1/4".....		
X	9	1			1134- 7290- 01	Hydraulslang 1/4" .....	Hydraulic tube 1/4".....		
X	10	1			1134- 7289- 01	Hydraulslang 1/4" .....	Hydraulic tube 1/4".....		
X	11	1			1134- 7291- 01	Hydraulslang 1/4" .....	Hydraulic tube 1/4".....		
X	12	1			1134- 7627- 01	Slangskydd.....	Hose guard .....		
X	14	1			9579- 0017- 01	Buntband .....	Cable tie .....		
X	21	1			1134- 7052- 01	Hydraulcylinder .....	Hydraulic cylinder .....		
X	22	2			1134- 7292- 01	Hydraulslang 1/4" .....	Hydraulic tube 1/4".....		
	23	2			1134- 4948- 01	Tredobricka.....	Seal washer.....		
	24	1			1134- 6042- 01	Snabbkoppling- hane.....	Quick coupling- male.....		
X	25	1			1134- 7172- 01	Snabbkoppling- hona.....	Quick coupling- female.....		
X	26	1			9579- 0016- 01	Buntband- gult.....	Cable tie- yellow .....		



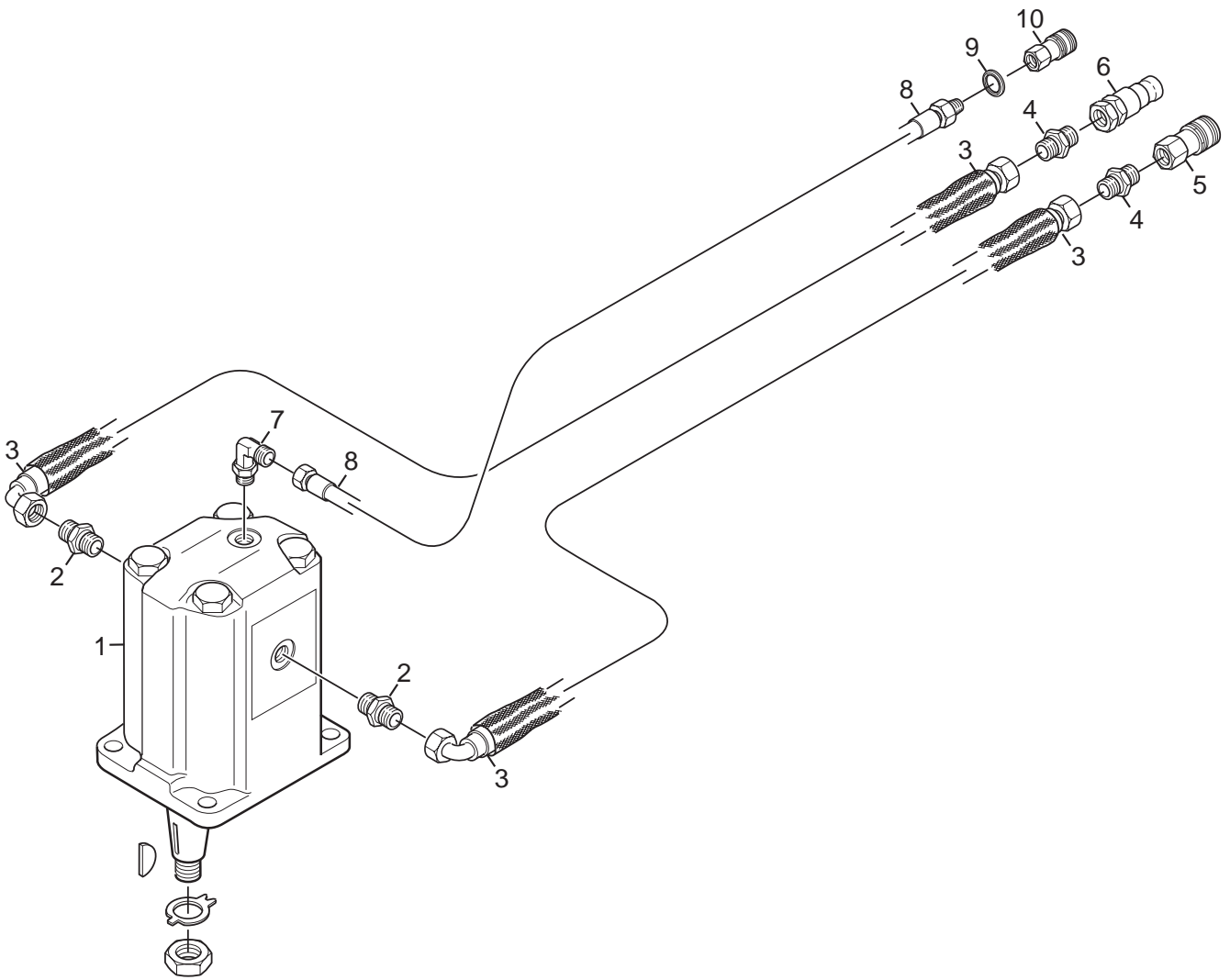
Utgåva Issue		Bildnr Picture No		TITAN KLIPPAGGREGAT 155B- 155H HÖJDINSTÄLLNING		TITAN MOWER DECK 155B- 155H HEIGHT ADJUST		Sida Page	
2008- 16		2353						74	
Pos. Fig.	Antal/Quantity				Art nr Part No	Benämning	Description	Sats Kit	Anmärkning Notes
	7815	7825							
X	1	1			1134- 6901- 01	Fäste- vä kpl.....	Attachment- LH assy .....		Inkl. pos 2 - 17
X	2	1			1134- 6904- 01	• Parallellstlag kpl .....	• Parallel rod .....		
	2A	2			9501- 0500- 00	•• Smörjnippel .....	•• Grease joint .....		
X	3	2			9997- 1240- 16	• Skruv .....	• Screw .....		
	4	2			9699- 0121- 02	• Planbricka .....	• Flat washer .....		
	5	2			9747- 1231- 02	• Låsmutter .....	• Lock nut .....		
X	6	2			1134- 6907- 01	• Fäste kpl .....	• Bracket assy .....		
	6A	1			9501- 0500- 00	•• Smörjnippel .....	•• Grease joint .....		
X	8	1			1134- 6900- 02	• Axel .....	• Axle .....		L = 63
	9	1			9997- 1211- 02	• Skruv .....	• Screw .....		
X	10	1			1134- 6900- 03	• Axel (gängad) .....	• Axle (threaded).....		L = 63
X	11	2			9924- 1220- 16	• Skruv .....	• Screw .....		
	12	2			9997- 1211- 02	• Skruv .....	• Screw .....		
	13	2			9799- 1231- 02	• Mutter .....	• Nut .....		
X	14	1			1134- 6857- 01	• Pivotplatta .....	• Pivot plate .....		
	14A	1			9501- 0500- 00	•• Smörjnippel .....	•• Grease joint .....		
X	15	1			1134- 6900- 01	• Axel .....	• Axle .....		L = 84
X	16	1			1134- 6859- 01	• Pivotplatta .....	• Pivot plate .....		
	16A	1			9501- 0500- 00	•• Smörjnippel .....	•• Grease joint .....		
X	17	1			1134- 6900- 01	• Axel .....	• Axle .....		L = 84
X	21	1			1134- 7651- 01	Fäste- hö kpl .....	Attachment- RH assy.....		Inkl. pos 22 - 38
X	22	1			1134- 6904- 01	• Parallellstlag kpl .....	• Parallel rod .....		
	22A	2			9501- 0500- 00	•• Smörjnippel .....	•• Grease joint .....		
X	23	2			9997- 1240- 16	• Skruv .....	• Screw .....		
	24	1			9699- 0121- 02	• Planbricka .....	• Flat washer .....		
	25	2			9747- 1231- 02	• Låsmutter .....	• Lock nut .....		
X	26	2			1134- 6907- 01	• Fäste kpl .....	• Bracket assy .....		
	26A	1			9501- 0500- 00	•• Smörjnippel .....	•• Grease joint .....		
X	28	1			1134- 6900- 02	• Axel .....	• Axle .....		L = 63
	29	1			9997- 1211- 02	• Skruv .....	• Screw .....		
X	30	1			1134- 6900- 03	• Axel (gängad) .....	• Axle (threaded).....		L = 63
X	31	2			9924- 1220- 16	• Skruv .....	• Screw .....		
	32	2			9997- 1211- 02	• Skruv .....	• Screw .....		
	33	2			9799- 1231- 02	• Mutter .....	• Nut .....		
X	34	1			1134- 7650- 01	• Pivotplatta .....	• Pivot plate .....		
	34A	1			9501- 0500- 00	•• Smörjnippel .....	•• Grease joint .....		
X	35	1			1134- 6900- 01	• Axel .....	• Axle .....		L = 84
X	36	1			1134- 6860- 01	• Pivotplatta .....	• Pivot plate .....		
	36A	1			9501- 0500- 00	•• Smörjnippel .....	•• Grease joint .....		
X	37	1			1134- 6900- 01	• Axel .....	• Axle .....		L = 84
X	38	1			1134- 7239- 01	• Pil .....	• Arrow .....		
X	40	8			9959- 1230- 16	Skruv .....	Screw .....		
	41	8			9739- 1241- 22	Mutter .....	Nut .....		
X	42	2			1134- 7400- 01	Sprint.....	Pin .....		
	43	2			9598- 0002- 02	Låsnål .....	Pin lock .....		
X	50	1			1134- 7005- 01	Framaxel.....	Front axle .....		
X	51	2			9997- 1255- 12	Skruv .....	Screw .....		
	52	2			9747- 1231- 02	Låsmutter .....	Lock nut .....		



Utgåva Issue		Bildnr Picture No		TITAN KLIPPAGGREGAT 155B TRANSMISSION		TITAN MOWER DECK 155B TRANSMISSION		Sida Page	
2008- 16		2358						76	
Pos. Fig.	Antal/Quantity				Art nr Part No	Benämning	Description	Sats Kit	Anmärkning Notes
	7815								
X	1	1			1134-7406-01	Transmissionskåpa .....	Transmission cover .....		
X	2	1			1134-7407-01	Transmissionskåpa- vä .....	Transm.cover- LH .....		
X	3	1			1134-7408-01	Transmissionskåpa- hö .....	Transm.cover- RH .....		
X	4	1			1134-7277-01	Transmissionskåpa- vä .....	Transm.cover- LH .....		
X	5	1			1134-7277-02	Transmissionskåpa- hö .....	Transm.cover- RH .....		
	6	5			9997-0820-16	Skruv .....	Screw .....		
	7	2			9893-0616-16	Skruv .....	Screw .....		
	8	4			9997-0880-16	Skruv .....	Screw .....		
X	10	1			1134-7478-01	Remstyrning .....	Belt guide .....		
X	11	1			1134-7319-01	Styrplåt .....	Guide plate .....		
	12	4			9959-1025-16	Skruv .....	Screw .....		
X	13	1			1134-7064-01	Hylla .....	Plate .....		
	14	3			9959-1020-16	Skruv .....	Screw .....		
	15	3			9739-1031-22	Mutter .....	Nut .....		
X	16	1			1134-7125-01	Remskiva .....	Belt pulley .....		
X	17	4			1134-7518-01	Plastplugg .....	Plastic plug .....		
	19	3			9699-0119-02	Bricka .....	Washer .....		
	20	3			9600-0170-00	Plattkil .....	Flat key .....		
X	23	2			1134-6974-01	Remskiva .....	Belt pulley .....		Ø = 164
X	24	1			1134-6975-01	Remskiva .....	Belt pulley .....		Ø = 149
X	25	3			9747-2031-02	Mutter .....	Nut .....		
X	26	3			1134-7124-01	Spännrulle .....	Tension roller .....		Ø = 109
	27	4			9959-1025-16	Skruv .....	Screw .....		
	28	4			1134-5406-01	Bricka .....	Washer .....		
X	29	1			1134-7302-01	Remspännare- vä .....	Belt tensioner- LH .....		
	29A	1			9501-0500-00	• Smörjnippel .....	• Grease joint .....		
X	30	1			1134-7303-01	Remspännare- hö .....	Belt tensioner- RH .....		
	30A	1			9501-0500-00	• Smörjnippel .....	• Grease joint .....		
X	31	2			1134-7393-01	Fjäder .....	Spring .....		
	32	2			1134-0240-01	Ansatsskruv .....	Shoulder screw .....		
	33	2			9739-0831-22	Mutter .....	Nut .....		
X	34	1			1134-7307-01	Platta .....	Plate .....		
X	35	4			9924-1025-16	Skruv .....	Screw .....		
	36	4			9739-1031-22	Mutter .....	Nut .....		
X	37	1			9585-0177-01	Kilrem (dubbel) .....	V- belt (double) .....		
X	38	1			9585-0181-01	Kilrem .....	V- belt .....		
X	39	1			9585-0180-01	Kilrem .....	V- belt .....		



Utgåva Issue		Bildnr Picture No		TITAN KLIPPAGGREGAT 155H TRANSMISSION		TITAN MOWER DECK 155H TRANSMISSION		Sida Page	
2008- 16		2356						78	
Pos. Fig.	Antal/Quantity				Art nr Part No	Benämning	Description	Sats Kit	Anmärkning Notes
	7825								
X	1	1			1134-7406-01	Transmissionskåpa .....	Transmission cover .....		
X	2	1			1134-7407-01	Transmissionskåpa- vä .....	Transm.cover- LH .....		
X	3	1			1134-7408-01	Transmissionskåpa- hö .....	Transm.cover- RH .....		
X	4	1			1134-7277-01	Transmissionskåpa- vä .....	Transm.cover- LH .....		
X	5	1			1134-7277-02	Transmissionskåpa- hö .....	Transm.cover- RH .....		
	6	5			9997-0820-16	Skruv .....	Screw .....		
	7	2			9893-0616-16	Skruv .....	Screw .....		
	8	4			9997-0880-16	Skruv .....	Screw .....		
X	9	4			9924-0830-16	Skruv .....	Screw .....		
	10	4			9747-0831-02	Mutter .....	Lock nut .....		
X	11	1			1134-7062-01	Motorfäste .....	Motor plate .....		
	12	4			9959-1025-16	Skruv .....	Screw .....		
X	13	1			1134-7063-01	Hylla .....	Plate .....		
	14	3			9959-1020-16	Skruv .....	Screw .....		
	15	3			9739-1031-22	Mutter .....	Nut .....		
X	16	1			1134-6978-01	Remskiva .....	Belt pulley .....		Ø = 164
X	17	4			1134-7518-01	Plastplugg .....	Plastic plug .....		Ø = 149
	19	3			9699-0119-02	Bricka .....	Washer .....		
	20	3			9600-0170-00	Plattkil .....	Flat key .....		
X	23	2			1134-6974-01	Remskiva .....	Belt pulley .....		Ø = 109
X	24	1			1134-6975-01	Remskiva .....	Belt pulley .....		
X	25	3			9747-2031-02	Mutter .....	Nut .....		
X	26	3			1134-7124-01	Spännrulle .....	Tension roller .....		
	27	3			9959-1025-16	Skruv .....	Screw .....		
	28	3			1134-5406-01	Bricka .....	Washer .....		
X	29	1			1134-7302-01	Remspännare- vä .....	Belt tensioner- LH .....		
	29A	1			9501-0500-00	• Smörjnippel .....	• Grease joint .....		
X	30	1			1134-7303-01	Remspännare- hö .....	Belt tensioner- RH .....		
	30A	1			9501-0500-00	• Smörjnippel .....	• Grease joint .....		
X	31	2			1134-7393-01	Fjäder .....	Spring .....		
	32	2			1134-0240-01	Ansatsskruv .....	Shoulder screw .....		
	33	2			9739-0831-22	Mutter .....	Nut .....		
X	34	1			1134-7307-01	Platta .....	Plate .....		
X	35	4			9924-1025-16	Skruv .....	Screw .....		
	36	4			9739-1031-22	Mutter .....	Nut .....		
X	37	1			9585-0177-01	Kilrem (dubbel) .....	V- belt (double) .....		
X	38	1			9585-0181-01	Kilrem .....	V- belt .....		





Utgåva Issue		Bildnr Picture No		TITAN KLIPPAGGREGAT 155H MOTORHYDRAULIK		TITAN MOWER DECK 155H MOTOR HYDRAULIC		Sida Page	
2008- 16		2362						80	
Pos. Fig.	Antal/Quantity				Art nr Part No	Benämning	Description	Sats Kit	Anmärkning Notes
	7825								
X	1	1			1134-7329-01	Hydraulmotor .....	Hydraulic motor .....		
X	2	2			1134-7315-01	Adapter .....	Hydraulic connector .....		
X	3	2			1134-7630-01	Hydraulslang 1/2" .....	Hydraulic tube 1/2" .....		
X	4	2			1134-7161-01	Adapter .....	Hydraulic connector .....		
X	5	1			1134-7182-01	Snabbkoppling- hona .....	Quick coupling- female .....		
X	6	1			1134-7181-01	Snabbkoppling- hane .....	Quick coupling- male .....		
	7	1			1134-5806-01	Vinkeladapter .....	Angle coupling .....		
X	8	1			1134-7294-01	Hydraulslang 1/4" .....	Hydraulic tube 1/4" .....		
	9	1			1134-4948-01	Tredobricka .....	Seal washer .....		
X	10	1			1134-7172-01	Snabbkoppling- hona .....	Quick coupling- female .....		

