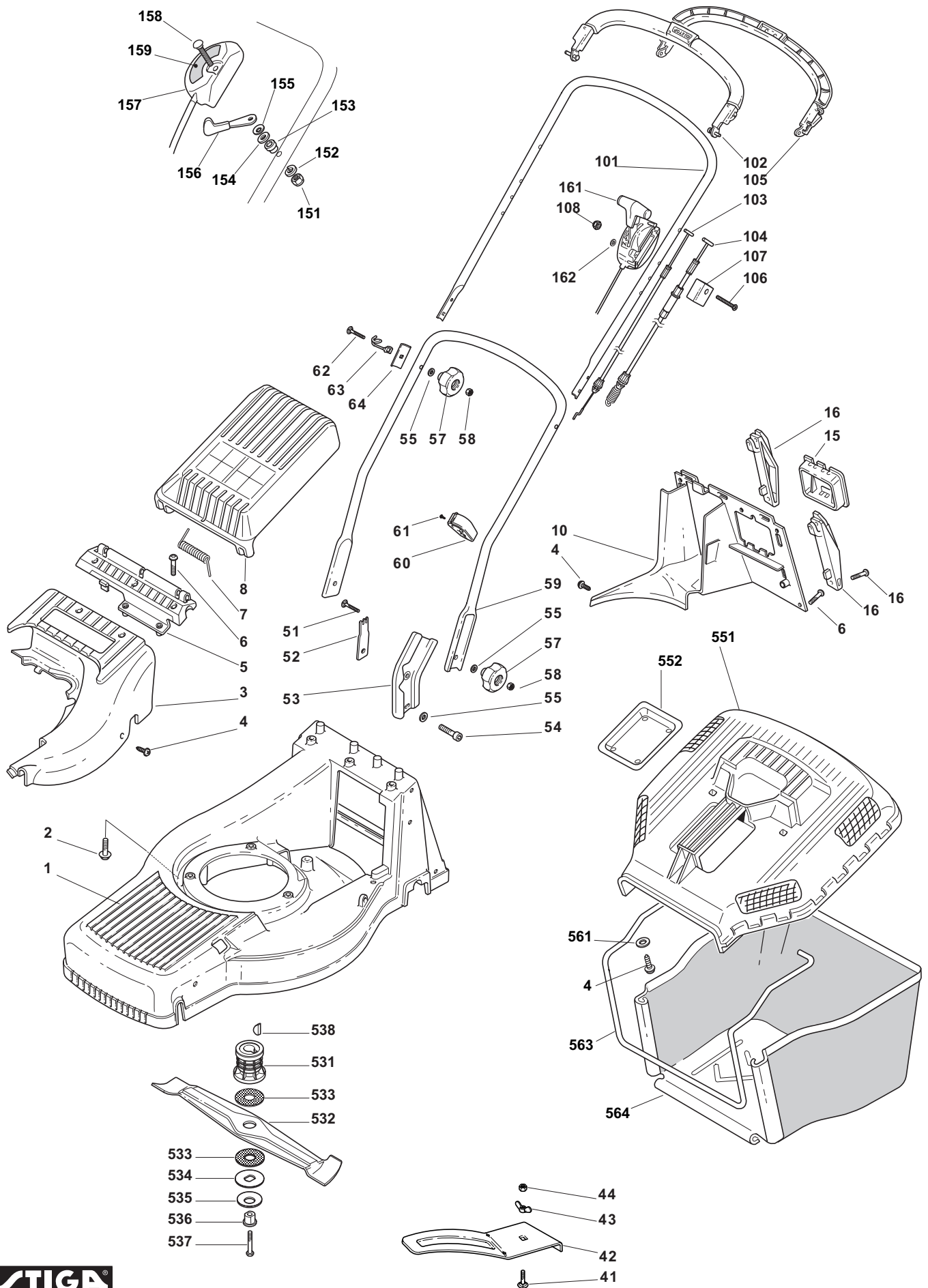
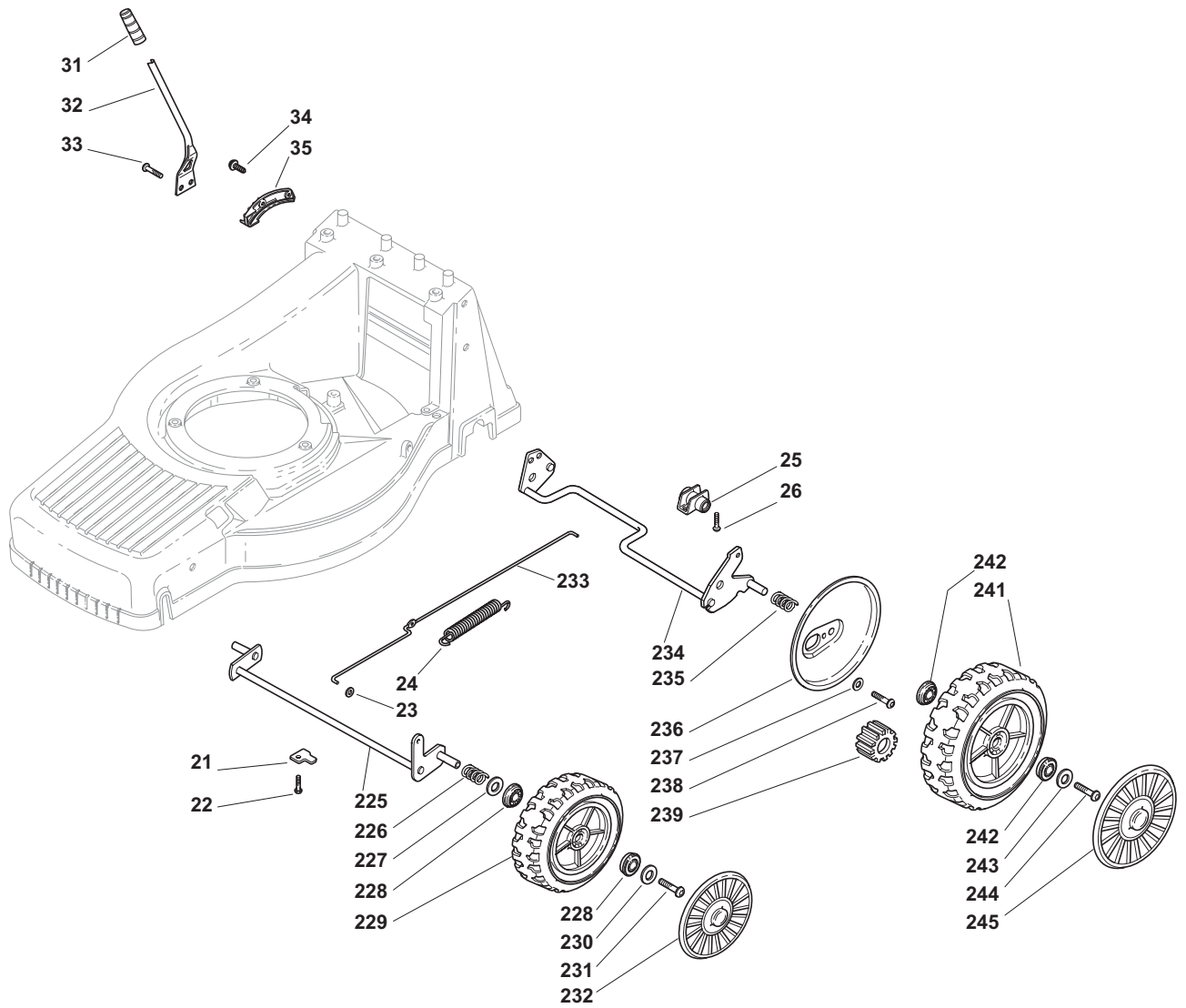
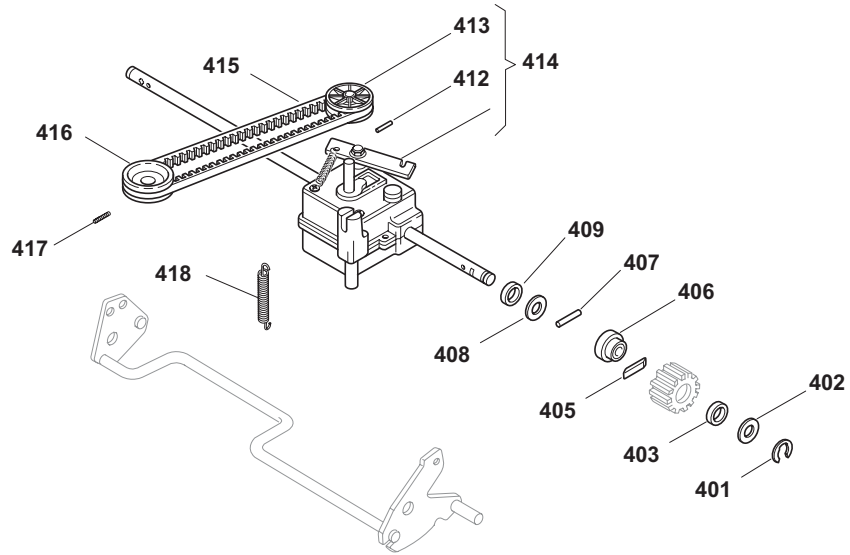


Genuine Spare Parts





Utgåva Issue 2008- 12		Bildnr Picture No 1933C		TURBO 45S COMBI TURBO PRO 45S COMBI CHASSI STYRE		TURBO 45S COMBI TURBO PRO 45S COMBI CHASSIS HANDLE		Sida Page 176
Pos. Fig.	Antal/Quantity			Art nr Part No	Benämning	Description	Sats Kit	Anmärkning Notes
	1234 -42	1281 -42	1203 -22					
X	1	1	1	381002703/1	Chassi-grå.....	Chassis- grey		
X	2	3	3	112735108/1	Skruv	Screw		
	3	1	1	22060151/0	Kåpa- gul	Cover- yellow		
	4	6	6	12728300/0	Skruv	Screw		
	5	1	1	22785156/0	Luckfäste- gul	Support- yellow		
	6	6	6	12735664/0	Skruv	Screw		
	7	1	1	22450443/0	Fjäder.....	Spring		
	8	1	1	22600080/0	Lucka- gul	Stone guard- yellow		
	10	1	1	22108279/0	Bakstam.....	Rear conveyor		
	15	1	1	22109531/0	Lock.....	Cover		
	16	1	1	81008658/1	Fäste kpl	Attachments assy.....		
	41	1	1	12818690/0	Skruv	Screw		
	42	1	1	22140229/0	Mulchplugg	Mulch plug.....		
	43	1	1	22399807/0	Lås ratt	Locking knob		
	44	1	1	12293200/0	Mutter.....	Nut		
	51	2	2	12820655/0	Skruv	Screw		
	52	1	1	22551635/0	Platta	Plate		
	53	2	2	22778405/0	Styrfäste	Handle support		
	54	2	2	12760515/0	Skruv	Screw		
	55	6	6	12521350/0	Bricka	Washer.....		
	57	4	4	22399810/0	Lås ratt	Locking knob		
	58	4	4	12361005/0	Mutter.....	Nut		
	59	1	1	81006642/0	Styre- underdel	Handle- lower		
	60	1	1	22192001/0	Kabelhållare	Cable holder		
	61	1	1	12728691/0	Skruv	Screw		
	62	2	2	12820655/0	Skruv	Screw		
	63	1	1	22430311/0	Ögla	Eyelink		
	64	2	2	22545137/0	Förstärkning	Reinforcement.....		
	101	1	1	81006643/0	Styre- överdel	Handle- upper.....		
	102	1	1	81003298/1	Reglagebygel	Control lever		
	103		1	81000685/0	Motorbromswire.....	Engine brake cable		B&S
X	103	1		81000707/0	Motorbromswire.....	Engine brake cable		GGP
X	103		1	81000717/0	Motorbromswire.....	Engine brake cable		Honda
	104	1	1	81000697/0	Kopplingswire.....	Clutch cable		
	105	1	1	81003297/1	Reglagebygel- drivning	Control lever- drive.....		
	106	1	1	12727783/0	Skruv	Screw		
	107	1	1	22551640/0	Wirefäste	Wire bracket.....		
	108	1	1	12154510/0	Mutter.....	Nut		
	151	1		12291000/0	Mutter.....	Nut		
	152	1		12581500/0	Låsbricka	Washer.....		
	153	1		22171005/0	Distans	Spacer.....		
	154	1		12521360/0	Bricka	Washer.....		
	155	1		12508100/0	Låsbricka	Washer.....		
	156	1		81007279/1	Gasarm.....	Throttle lever.....		
	157	1		81007080/0	Gaswire	Throttle cable		
	158	1		12815000/0	Skruv	Screw		
	159	1		14356702/0	Dekal	Label		
	161		1	81007126/0	Gasreglage.....	Throttle control		
	161		1	81007128/0	Gasreglage.....	Throttle control		
	162		1	12523040/0	Bricka	Washer.....		
	531	1	1	1111- 9127- 01	Knivfäste.....	Blade holder		
	532	1	1	1111- 9166- 01	Kniv	Blade		
	533	2	2	22672111/0	Friktionsskiva.....	Friction disc		
	534	1	1	22672105/0	Bricka	Washer.....		
	535	1	1	12508120/0	Tallriksbricka.....	Cup washer		
	536	1	1	22041940/0	Bussning	Bushing.....		
	537	1	1	12736850/0	Skruv	Screw		
	538	1	1	12139100/0	Kil	Key		
	551	1	1	22486116/0	Uppsamlare- överdel.....	Grassbox- upper.....		
	552	1	1	22486098/0	Platta	Plate		
	561	2	2	12521460/0	Bricka	Washer.....		
	563	1	1	22608518/0	Trådbygel.....	Wire frame		
	564	1	1	81002239/0	Uppsamlingsäck	Collecting bag		



Utgåva Issue 2008- 12		Bildnr Picture No 2139A		TURBO 45S COMBI HJULUPPHÄNGNING TRANSMISSION		TURBO 45S COMBI WHEEL SUSPENSION TRANSMISSION		Sida Page 178	
Pos. Fig.	Antal/Quantity				Art nr Part No	Benämning	Description	Sats Kit	Anmärkning Notes
	1234 -42	1281 -42							
21	2	2			22545160/0	Överfall	Clamp.....		
22	2	2			12735664/0	Skruv	Screw		
23	2	2			12604898/0	Starlock	Lock washer		
24	1	1			22446181/0	Fjäder.....	Spring		
25	2	2			22785153/0	Bussning	Bushing.....		
26	4	4			12735664/0	Skruv	Screw		
31	1	1			22399808/0	Handtag	Handgrip		
32	1	1			22321515/0	Höjdinst.spak.....	Height adjust lever		
33	2	2			12735661/0	Skruv	Screw		
34	2	2			12728300/0	Skruv	Screw		
35	1	1			22735563/0	Höjdinst.sektor	Height adjust sector		
225	1	1			81002843/0	Hjulaxel.....	Wheel axle.....		
226	2	2			22430210/0	Fjäder.....	Spring		
227	2	2			12521370/0	Bricka	Washer		
228	4	4			22122200/0	Kullager	Ball bearing		
229	2	2			81007351/0	Hjul	Wheel		
230	2	2			12521460/0	Bricka	Washer		
231	2	2			12735662/0	Skruv	Screw		
232	2	2			22110347/0	Navkapsel- grå	Hub cap- grey		
233	1	1			22033321/0	Höjdinst.stång	Height adjust rod		
234	1	1			81002841/0	Hjulaxel.....	Wheel axle.....		
235	2	2			22430215/0	Fjäder.....	Spring		
236	2	2			22600121/0	Hjulskydd.....	Wheel protection		
237	2	2			12521460/0	Bricka	Washer		
238	2	2			12735662/0	Skruv	Screw		
239	2	2			22570125/0	Drev	Pinion.....		
241	2	2			81007351/0	Hjul	Wheel		
242	4	4			22122201/0	Kullager	Ball bearing		
243	2	2			12521460/0	Bricka	Washer		
244	2	2			12735662/0	Skruv	Screw		
245	2	2			22110348/0	Navkapsel- grå	Hub cap- grey		
401	2	2			12000957/0	Låsring	Lock ring		
402	2	2			12520032/0	Bricka	Washer		
403	2	2			22160520/0	Skyddsbricka	Dust cover.....		
405	2	2			22076645/0	Kil	Key		
406	2	2			22170630/0	Distans	Spacer		
407	2	2			22753002/0	Stift.....	Pin		
408	2	2			12520032/0	Bricka	Washer		
409	2	2			19035152/0	Tätningring	Seal ring.....		
412	1	1			12620310/0	• Stift	• Pin.....		
413	1	1			22601913/0	• Remskiva.....	• Belt pulley		
414	1	1			81003084/0	Transmission kpl	Transmission assy		
415	1	1			1111- 9053- 01	Drivrem	Drive belt.....		
416	1	1			22601918/0	Remskiva.....	Belt pulley		
417	1	1			12714312/0	Stift.....	Dowel pin		
418	1	1			22450434/0	Fjäder.....	Spring		

Inkl. pos 412 - 413

Utgåva Issue 2008- 12		Bildnr Picture No 1937A		TURBO PRO 45S COMBI HJULUPPHÄNGNING TRANSMISSION		TURBO PRO 45S COMBI WHEEL SUSPENSION TRANSMISSION		Sida Page 180	
Pos. Fig.	Antal/Quantity				Art nr Part No	Benämning	Description	Sats Kit	Anmärkning Notes
	1203 -22								
	21	2			22545160/0	Överfall	Clamp.....		
	22	2			12735664/0	Skruv	Screw		
	23	2			12604898/0	Starlock	Lock washer		
	24	1			22446181/0	Fjäder.....	Spring		
	25	2			22785153/0	Bussning	Bushing.....		
	26	4			12735664/0	Skruv	Screw		
	31	1			22399808/0	Handtag	Handgrip		
	32	1			22321515/0	Höjdinst.spak.....	Height adjust lever		
	33	2			12735661/0	Skruv	Screw		
	34	2			12728300/0	Skruv	Screw		
	35	1			22735563/0	Höjdinst.sektor	Height adjust sector		
X	275	1			81002817/0	Hjulaxel.....	Wheel axle.....		
	276	2			22430210/0	Fjäder.....	Spring		
X	277	2			381007384/0	Hjul m.lager	Wheel w.bearing		Ø 190 mm
	278	1			22160522/0	• Dammskydd	• Dust cover		
	279	2			19216039/0	• Kullager	• Ball bearing		
	280	2			12521460/0	Bricka	Washer.....		
	281	2			12735662/0	Skruv	Screw		
	282	2			22110379/0	Navkapsel	Hub cap.....		
	283	1			22033322/0	Höjdinst.stång	Height adjust rod		
	284	1			81002823/0	Hjulaxel.....	Wheel axle.....		
	285	2			22170810/0	Distans	Spacer		
	286	2			22430215/0	Fjäder.....	Spring		
	287	2			22600127/0	Hjulskydd.....	Wheel protection.....		
	288	2			22570126/0	Drev	Pinion.....		
	289	2			81007367/0	Hjul m.lager	Wheel w.bearings.....		Ø 205 mm
	290	8			12728210/0	• Skruv	• Screw		
	291	2			22120108/0	• Ringdrev	• Ring gear		
	292	2			19216038/0	• Lager	• Bearing		
	293	2			22671655/0	Bricka	Washer.....		
	294	2			12735592/0	Skruv	Screw		
	295	2			22110380/0	Navkapsel	Hub cap.....		
	401	2			12000957/0	Låsring	Lock ring.....		
	402	2			12520032/0	Bricka	Washer.....		
	403	2			22160520/0	Skyddsbricka.....	Dust cover.....		
	405	2			22076645/0	Kil	Key		
	406	2			22170630/0	Distans	Spacer		
	407	2			22753002/0	Stift.....	Pin		
	408	2			12520032/0	Bricka	Washer.....		
	409	2			19035152/0	Tätningring	Seal ring.....		
	412	1			12620310/0	• Stift.....	• Pin.....		
	413	1			22601913/0	• Remskiva	• Belt pulley		
	414	1			81003084/0	Transmission kpl	Transmission assy		
	415	1			1111- 9053- 01	Drivrem	Drive belt.....		
	416	1			22601918/0	Remskiva.....	Belt pulley		
	417	1			12714312/0	Stift.....	Dowel pin		
	418	1			22450434/0	Fjäder.....	Spring		