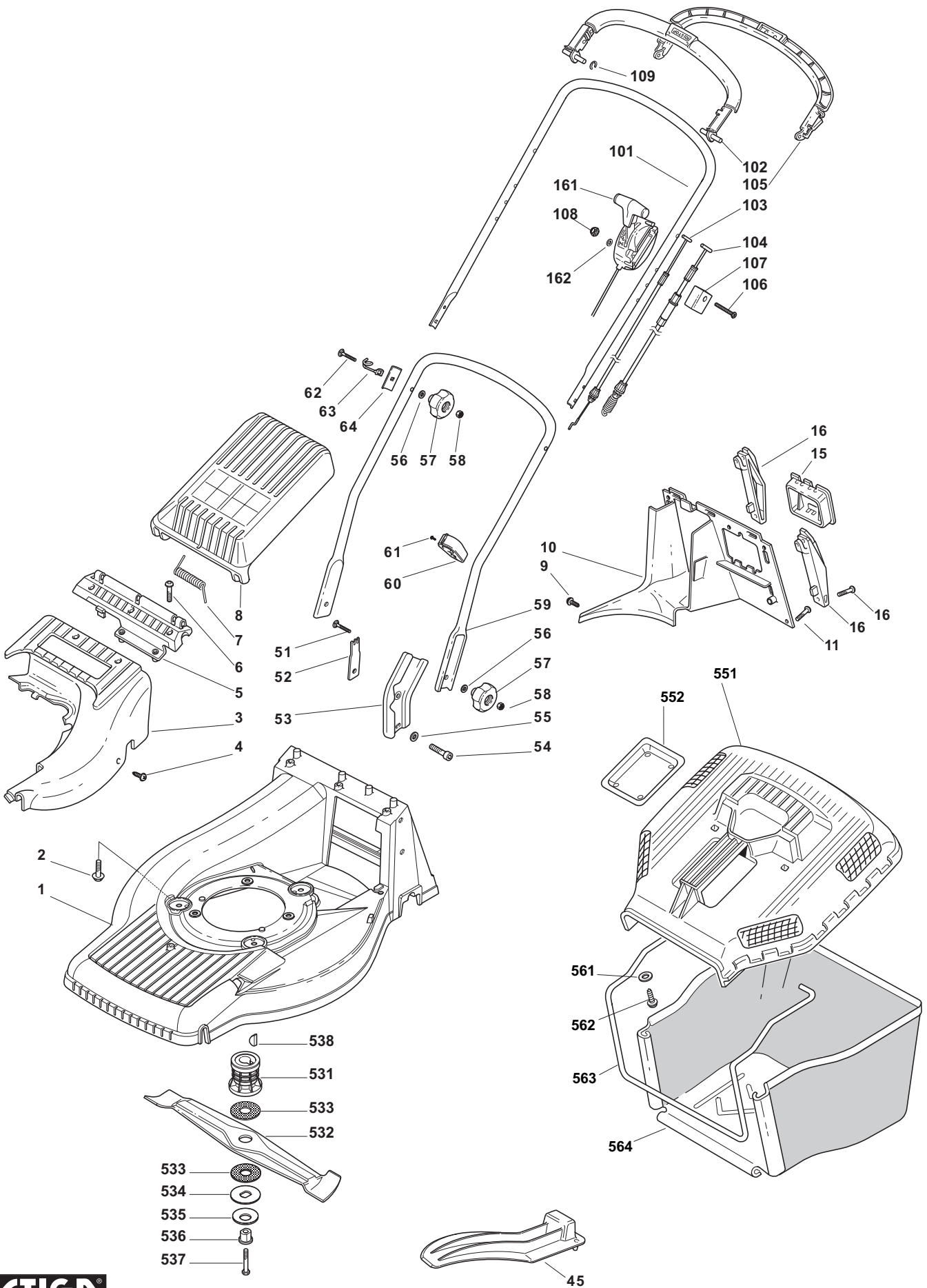


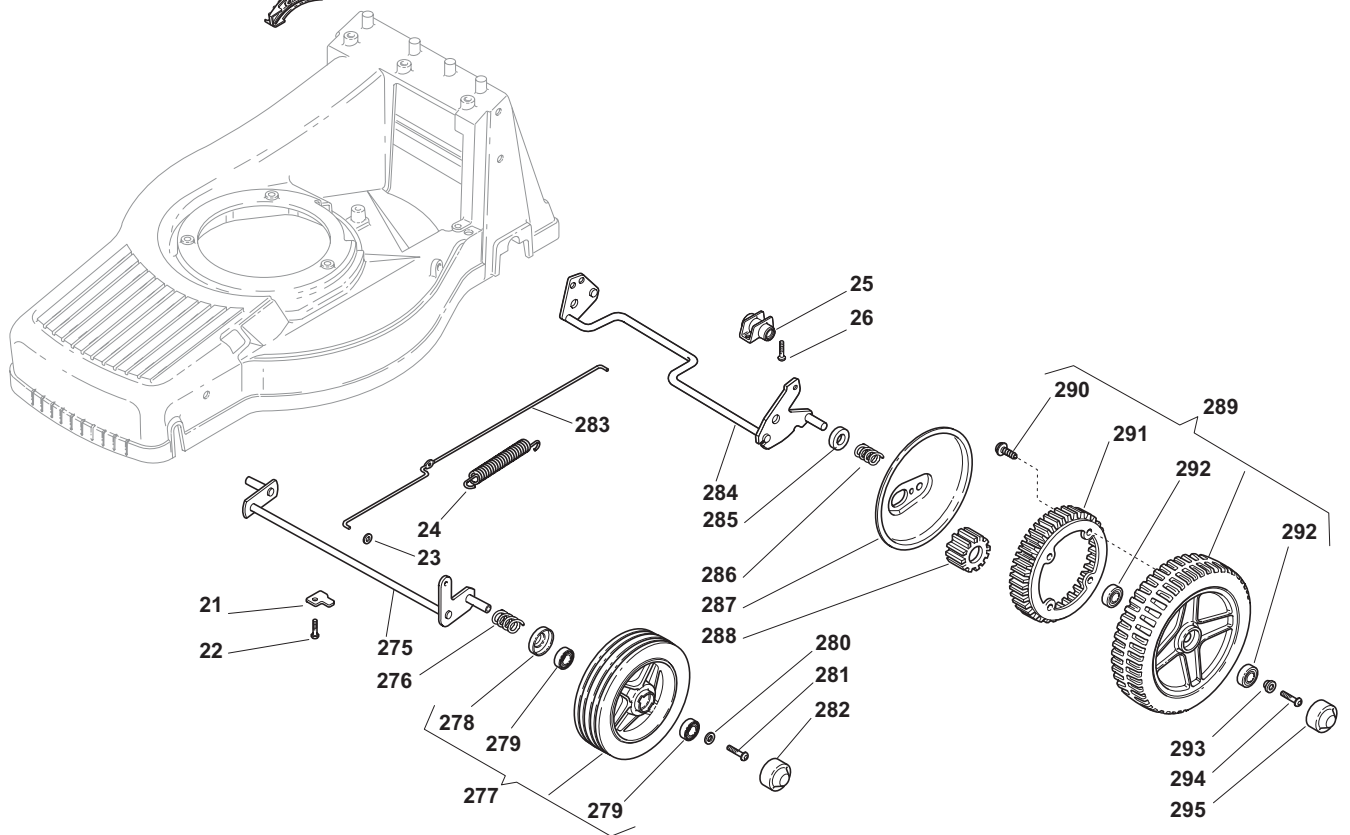
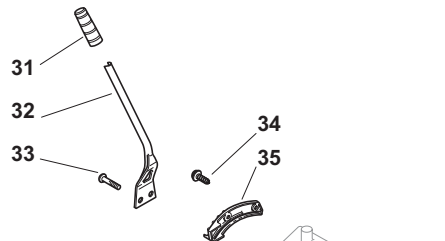
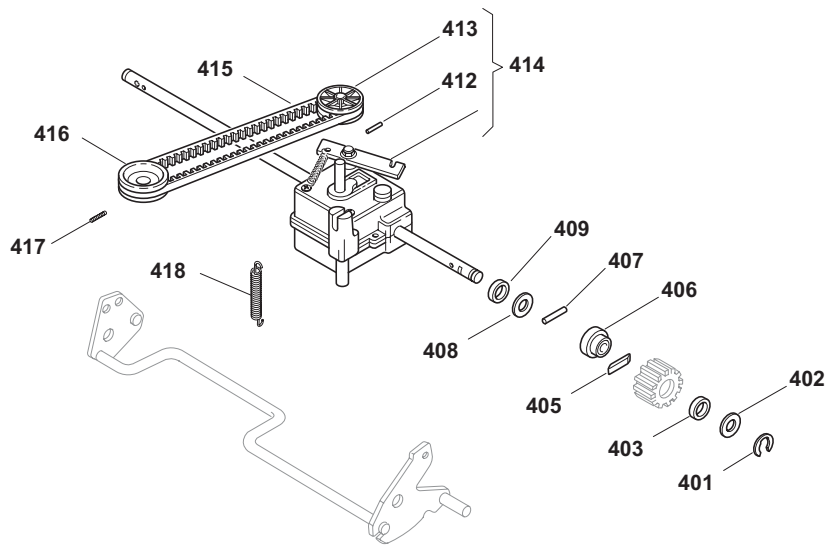
# Genuine Spare Parts

---





Utgåva Issue 2008- 12		Bildnr Picture No 1941B		TURBO PRO 50S COMBI CHASSI STYRE		TURBO PRO 50S COMBI CHASSIS HANDLE		Sida Page 192	
Pos. Fig.	Antal/Quantity			Art nr Part No	Benämning	Description	Sats Kit	Anmärkning Notes	
	5203 -24	5204 -45							
X	1	1	1	81002661/0	Chassi-grå.....	Chassis- grey .....			
	2	3	3	112735108/1	Skruv .....	Screw .....			
	3	1	1	22060152/0	Kåpa- gul .....	Cover- yellow .....			
	4	3	3	12728300/0	Skruv .....	Screw .....			
	5	1	1	22785157/0	Luckfäste- gul .....	Support- yellow .....			
	6	3	3	12735664/0	Skruv .....	Screw .....			
	7	1	1	22450443/0	Fjäder.....	Spring .....			
	8	1	1	22600069/1	Lucka- gul .....	Stone guard .....			
	9	1	1	12728300/0	Skruv .....	Screw .....			
	10	1	1	22108277/0	Bakstam.....	Rear conveyer.....			
	11	3	3	12735664/0	Skruv .....	Screw .....			
	15	1	1	22109531/0	Lock.....	Cover .....			
	16	1	1	81008658/1	Fäste kpl .....	Attachments assy.....			
	45	1	1	22140231/0	Mulchplugg .....	Mulch plug .....			
	51	2	2	12820655/0	Skruv .....	Screw .....			
	52	1	1	22551635/0	Platta .....	Plate .....			
	53	2	2	22778405/0	Styrfäste .....	Handle support .....			
	54	2	2	12760515/0	Skruv .....	Screw .....			
	55	2	2	12521350/0	Bricka .....	Washer.....			
	56	4	4	12521350/0	Bricka .....	Washer.....			
	57	4	4	22399810/0	Lås ratt .....	Locking knob .....			
	58	4	4	12361005/0	Mutter.....	Nut .....			
	59	1	1	81006631/0	Styre- underdel, gul .....	Handle- lower, yellow .....			
	60	1	1	22192001/0	Kabelhållare .....	Cable holder .....			
	61	1	1	12728691/0	Skruv .....	Screw .....			
	62	2	2	12820655/0	Skruv .....	Screw .....			
	63	1	1	22430311/0	Ögla .....	Eyelink .....			
	64	2	2	22545137/0	Förstärkning .....	Reinforcement.....			
X	101	1	1	81006632/1	Styre- överdel, gul .....	Handle- upper, yellow.....			
	102	1	1	81003320/1	Reglagebygel .....	Control lever .....			
	103	1	1	81000691/0	Motorbromswire.....	Engine brake cable .....			
	104	1	1	81000697/0	Kopplingswire.....	Clutch cable .....			
	105	1	1	81003297/1	Reglagebygel- drivning .....	Control lever- drive.....			
	106	1	1	12727787/0	Skruv .....	Screw .....			
	107	1	1	22551640/0	Wirefäste .....	Wire bracket.....			
	108	1	1	12154510/0	Mutter.....	Nut .....			
	109	2	2	12000930/0	Låsring .....	Snap ring .....			
	161	1	1	81007125/0	Gasreglage.....	Throttle control .....			
	162	1	1	12523040/0	Bricka .....	Washer .....			
X	531	1	1	122465631/0	Knivfäste.....	Blade holder .....		Hole Ø=25 mm	
	532	1	1	1111- 9129- 01	Kniv .....	Blade .....			
	533	2	2	22672111/0	Friktionsskiva.....	Friction disc .....			
	534	1	1	22672105/0	Bricka .....	Washer .....			
	535	1	1	12508120/0	Tallriksbricka.....	Cup washer .....			
	536	1	1	22041940/0	Bussning .....	Bushing.....			
	537	1	1	12736850/0	Skruv .....	Screw .....			
X	538	1	1	12139150/0	Kil .....	Key .....			
	551	1	1	22486096/1	Uppsamlare- överdel.....	Grassbox- upper.....			
	552	1	1	22486098/0	Platta .....	Plate .....			
	561	2	2	12521460/0	Bricka .....	Washer.....			
	562	2	2	12728300/0	Skruv .....	Screw .....			
	563	1	1	22608528/0	Trådbygel .....	Wire frame .....			
	564	1	1	81002235/0	Uppsamlingsäck .....	Collecting bag .....			



Utgåva Issue 2008- 12		Bildnr Picture No 1937A		TURBO PRO 50S COMBI HJULUPPHÄNGNING TRANSMISSION		TURBO PRO 50S COMBI WHEEL SUSPENSION TRANSMISSION		Sida Page 194	
Pos. Fig.	Antal/Quantity			Art nr Part No	Benämning	Description	Sats Kit	Anmärkning Notes	
	5203 -24	5204 -45							
	21	2	2	22545160/0	Överfall .....	Clamp.....			
	22	2	2	12735664/0	Skruv .....	Screw .....			
	23	2	2	12604898/0	Starlock .....	Lock washer .....			
	24	1	1	22446181/0	Fjäder.....	Spring .....			
	25	2	2	22785153/0	Bussning .....	Bushing.....			
	26	4	4	12735664/0	Skruv .....	Screw .....			
	31	1	1	22399808/0	Handtag .....	Handgrip .....			
	32	1	1	22321515/0	Höjdinst.spak.....	Height adjust lever .....			
	33	2	2	12735661/0	Skruv .....	Screw .....			
	34	2	2	12728300/0	Skruv .....	Screw .....			
	35	1	1	22735563/0	Höjdinst.sektor .....	Height adjust sector .....			
	275	1	1	81002821/0	Hjulaxel.....	Wheel axle.....			
	276	2	2	22430210/0	Fjäder.....	Spring .....			
X	277	2	2	381007384/0	Hjul m.lager .....	Wheel w.bearing .....		Ø 190 mm	
	278	1	1	22160522/0	• Dammskydd .....	• Dust cover .....			
	279	2	2	19216039/0	• Kullager .....	• Ball bearing .....			
	280	2	2	12521460/0	Bricka .....	Washer.....			
	281	2	2	12735662/0	Skruv .....	Screw .....			
	282	2	2	22110379/0	Navkapsel .....	Hub cap.....			
	283	1	1	22033322/0	Höjdinst.stång .....	Height adjust rod .....			
	284	1	1	81002823/0	Hjulaxel.....	Wheel axle.....			
	285	2	2	22170810/0	Distans .....	Spacer .....			
	286	2	2	22430215/0	Fjäder.....	Spring .....			
	287	2	2	22600127/0	Hjulskydd.....	Wheel protection.....			
	288	2	2	22570126/0	Drev .....	Pinion.....			
	289	2	2	81007367/0	Hjul m.lager .....	Wheel w.bearings.....		Ø 205 mm	
	290	8	8	12728210/0	• Skruv .....	• Screw .....			
	291	2	2	22120108/0	• Ringdrev .....	• Ring gear .....			
	292	2	2	19216038/0	• Lager .....	• Bearing .....			
	293	2	2	22671655/0	Bricka .....	Washer.....			
	294	2	2	12735592/0	Skruv .....	Screw .....			
	295	2	2	22110380/0	Navkapsel .....	Hub cap.....			
	401	2	2	12000957/0	Låsring .....	Lock ring.....			
	402	2	2	12520032/0	Bricka .....	Washer.....			
	403	2	2	22160520/0	Skyddsbricka.....	Dust cover.....			
	405	2	2	22076645/0	Kil .....	Key .....			
	406	2	2	22170630/0	Distans .....	Spacer.....			
	407	2	2	22753002/0	Stift.....	Pin .....			
	408	2	2	12520032/0	Bricka .....	Washer.....			
	409	2	2	19035152/0	Tätningarring .....	Seal ring.....			
	412	1	1	12620310/0	• Stift.....	• Pin.....			
	413	1	1	22601913/0	• Remskiva .....	• Belt pulley .....			
	414	1	1	81003085/0	Transmission kpl .....	Transmission assy .....			
	415	1	1	1111- 9061- 01	Drivrem .....	V- belt.....			
	416	1	1	122601921/0	Remskiva.....	Belt pulley .....			
X	417	1	1	12714312/0	Stift.....	Dowel pin .....			
	418	1	1	22450434/0	Fjäder.....	Spring .....			