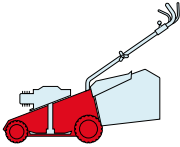
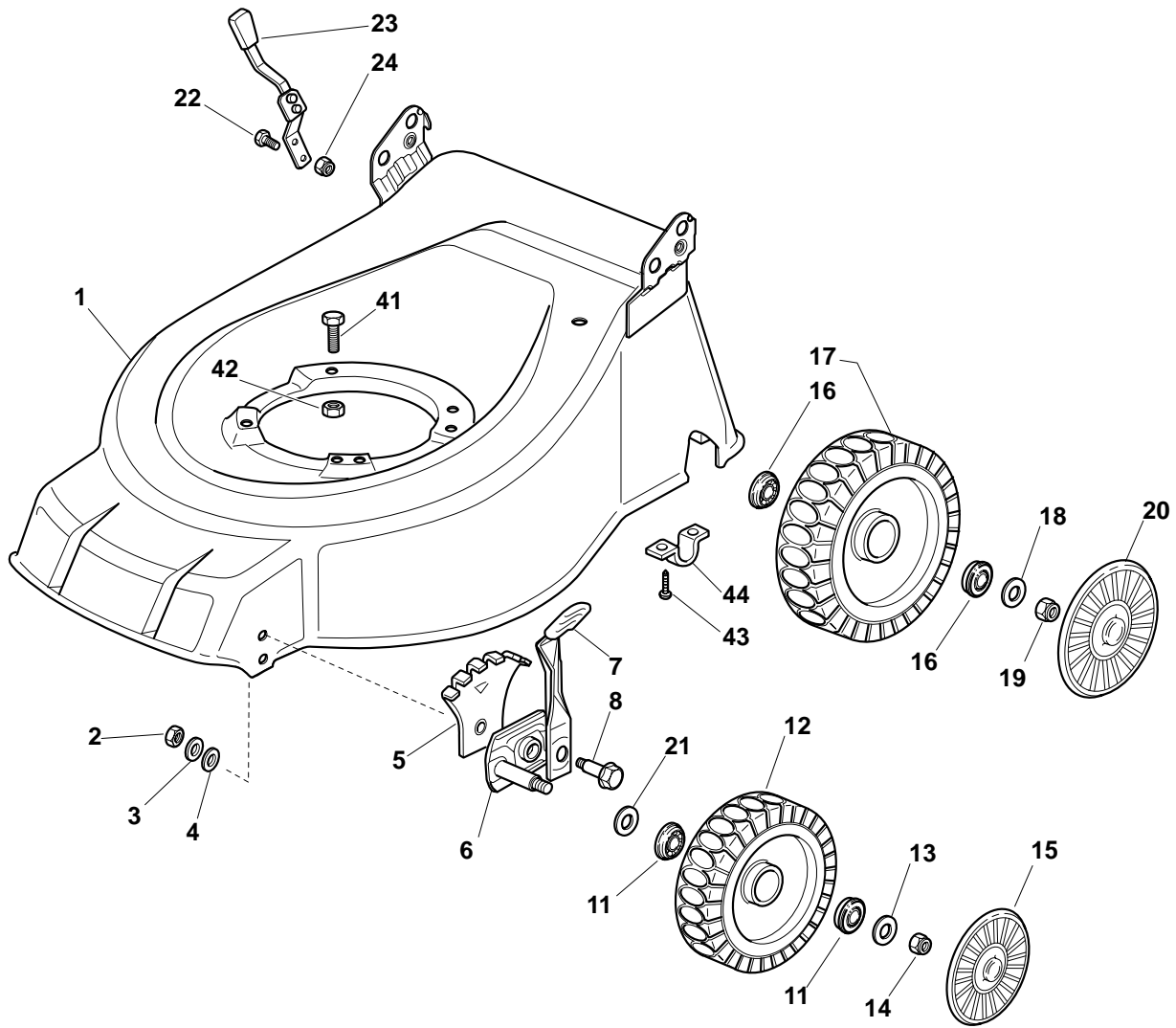


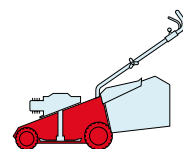
<b>W</b>				<b>WL</b>					2009
<b>484</b>				<b>534</b>					<b>24_001</b>
TR	TR-E	TR 4S	TR-E 4S	WTR	WTR-E	WTR 4S	WTR-E4S		1 / 2



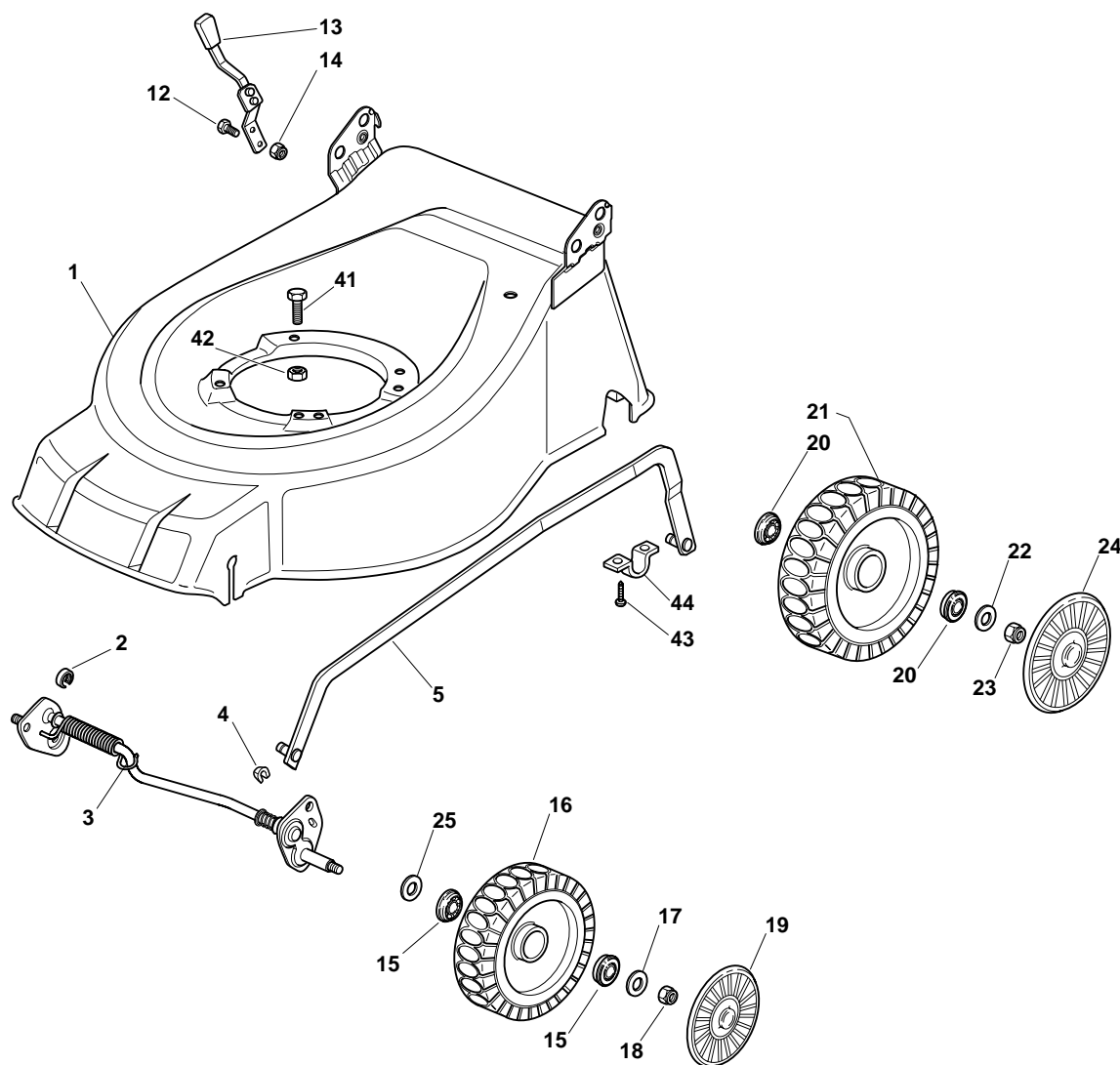
POS.	CODE	Q.TY	DESCRIZIONE	DESCRIPTION	DESCRIPTION	BESCHREIBUNG	REMARKS
1	81002602/1	1	Chassis Rosso	Deck Red	Châssis Rouge	Gehäuse Rot	484
1	81002604/1	1	Chassis Rosso	Deck Red	Châssis Rouge	Gehäuse Rot	534
2	12293200/0	2	Dado	Nut	Ecrou	Mutter	
3	12583500/0	2	Grower	Grower	Grower	Federring	
4	12523070/0	2	Rosetta	Washer	Rondelle	Scheibe	
5	22735547/0	2	Settore Regolazione Altezza	Sector, Height Adjustment	Secteur Reglage Hauteur	Sektor, Höheverstellung	
6	81005082/0	2	Supporto Ruota	Support, Wheel	Support Roue	Halter, Rad	
7	81003285/1	2	Leva Regolazione Altezza	Lever, Height Adjustment	Levier, Reglage Hauteur	Hebel, Höheverstellung	
8	22519811/0	2	Perno	Pin	Pivot	Bolzen	
11	22122200/0	4	Cuscinetto	Bearing	Coussinet	Lager	
12	81007336/0	2	Ruota Scolpita Ø 170	Wheel, Knobby Ø 170	Roue Sculptee Ø 170	Rad M. Stollenpr. Ø 170	
13	12521350/0	2	Rosetta	Washer	Rondelle	Scheibe	
14	12155000/0	2	Dado	Nut	Ecrou	Mutter	
15	-	2	Coprismozzo	Hub Cap	Couvre-Moyeu	Radkappe	(See Enclosure 1)
16	22122200/0	4	Cuscinetto	Bearing	Coussinet	Lager	
17	81007337/0	2	Ruota Scolpita Ø 210	Wheel, Knobby Ø 210	Roue Sculptee Ø 210	Rad M. Stollenpr. Ø 210	
18	12369500/0	2	Disco Elastico	Elastic Washer	Disque Elastique	Federscheibe	

POS.	CODE	Q.TY	DESCRIZIONE	DESCRIPTION	DESCRIPTION	BESCHREIBUNG	REMARKS
19	12155000/0	2	Dado	Nut	Ecrou	Mutter	
20	-	2	Coprimozzo	Hub Cap	Couvre-Moyeu	Radkappe	(See Enclosure 2)
21	12530150/0	2	Rosetta Elastica	Elastic Washer	Rondelle Elastique	Elastische Scheibe	
22	12789000/0	2	Vite	Screw	Vis	Schraube	
23	81003279/2	1	Leva Regolazione Altezza	Lever, Height Adjustment	Levier, Reglage Hauteur	Hebel, Höheverstellung	
24	12154330/0	2	Dado	Nut	Ecrou	Mutter	
41	12691800/0	0/1	Vite	Screw	Vis	Schraube	
41	12793701/0	3/2	Vite	Screw	Vis	Schraube	
42	12155000/0	0/1	Dado	Nut	Ecrou	Mutter	
42	12293201/0	3/2	Dado	Nut	Ecrou	Mutter	
43	12731350/0	4	Vite	Screw	Vis	Schraube	
44	22545152/0	2	Piastrina	Plate	Plaquette	Platte	

<b>W</b>				<b>WL</b>			
<b>484</b>				<b>534</b>			
<b>TR</b>	<b>TR-E</b>	<b>TR 4S</b>	<b>TR-E 4S</b>	<b>WTR</b>	<b>WTR-E</b>	<b>WTR 4S</b>	<b>WTR-E4S</b>



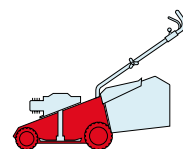
2009
<b>24_002</b>
1 / 2



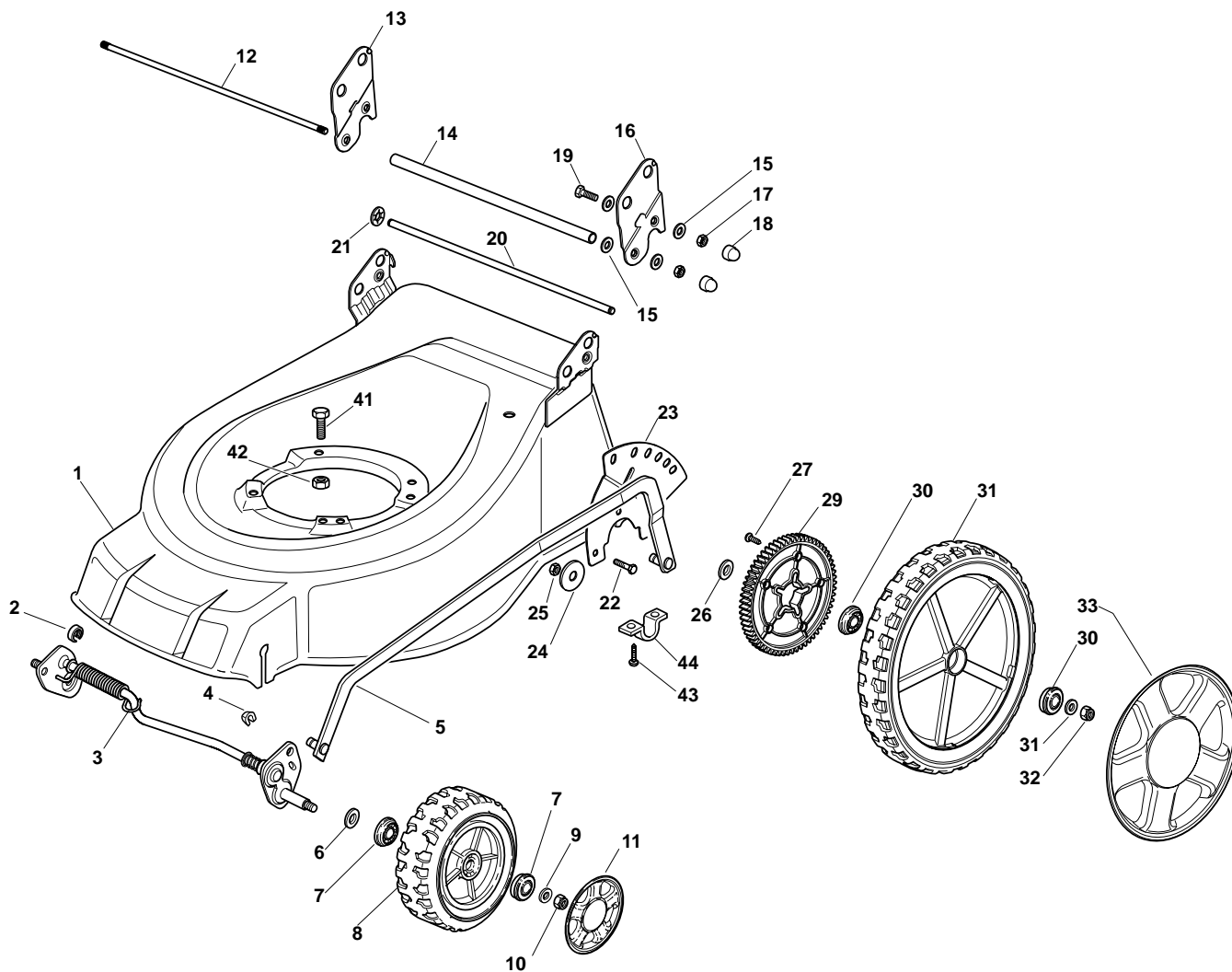
POS.	CODE	Q.TY	DESCRIZIONE	DESCRIPTION	DESCRIPTION	BESCHREIBUNG	REMARKS
1	381002606/2	1	Chassis Rosso	Deck Red	Châssis Rouge	Gehäuse Rot	484
1	381002608/2	1	Chassis Rosso	Deck Red	Châssis Rouge	Gehäuse Rot	534
2	22171002/0	1	Distanziale	Spacer	Entretoise	Distanzring	
3	81000141/1	1	Asse Ruote Anteriori	Axle, Front Wheels	Axe Roues Avant	Achse, Vorderrad	484
3	81000143/1	1	Asse Ruote Anteriori	Axle, Front Wheels	Axe Roues Avant	Achse, Vorderrad	534
4	112436051/0	2	Piastrina	Plate	Plaquette	Plättchen	
5	381002020/0	1	Asta Comando Regol. Altezza	Rod, Height Adjustment	Tige Commande Reglage Hauteur	Stange, Höhenverstellung	484
5	381002021/0	1	Asta Comando Regol. Altezza	Rod, Height Adjustment	Tige Commande Reglage Hauteur	Stange, Höhenverstellung	534
12	12789000/0	2	Vite	Screw	Vis	Schraube	
13	81003283/1	1	Leva Regolazione Altezza	Lever, Height Adjustment	Levier, Reglage Hauteur	Hebel, Höhenverstellung	
14	12154320/0	2	Dado	Nut	Ecrou	Mutter	
15	22122200/0	4	Cuscinetto	Bearing	Coussinet	Lager	
16	81007336/0	2	Ruota Scolpita Ø 170	Wheel, Knobby Ø 170	Roue Sculptee Ø 170	Rad M. Stollenpr. Ø 170	
17	12521350/0	2	Rosetta	Washer	Rondelle	Scheibe	
18	12155000/0	2	Dado	Nut	Ecrou	Mutter	
19	-	2	Coprimozzo	Hub Cap	Couvre-Moyeu	Radkappe	(See Enclosure 1)

POS.	CODE	Q.TY	DESCRIZIONE	DESCRIPTION	DESCRIPTION	BESCHREIBUNG	REMARKS
20	22122200/0	4	Cuscinetto	Bearing	Coussinet	Lager	
21	81007337/0	2	Ruota Scolpita Ø 210	Wheel, Knobbly Ø 210	Roue Sculptee Ø 210	Rad M. Stollenpr. Ø 210	
22	12521350/0	2	Rosetta	Washer	Rondelle	Scheibe	
23	12155000/0	2	Dado	Nut	Ecrou	Mutter	
24	-	2	Coprimezzo	Hub Cap	Couvre-Moyeu	Radkappe	(See Enclosure 2)
25	12530150/0	2	Rosetta Elastica	Elastic Washer	Rondelle Elastique	Elastische Scheibe	
41	12691800/0	0/1	Vite	Screw	Vis	Schraube	
41	12793701/0	3/2	Vite	Screw	Vis	Schraube	
42	12155000/0	0/1	Dado	Nut	Ecrou	Mutter	
42	12293201/0	3/2	Dado	Nut	Ecrou	Mutter	
43	12731350/0	4	Vite	Screw	Vis	Schraube	
44	22545152/0	2	Piastrina	Plate	Plaquette	Platte	

<b>W</b>				<b>WL</b>			
<b>484</b>				<b>534</b>			
<b>TR</b>	<b>TR-E</b>	<b>TR 4S</b>	<b>TR-E 4S</b>	<b>WTR</b>	<b>WTR-E</b>	<b>WTR 4S</b>	<b>WTR-E4S</b>



2009
<b>24_003</b>
1 / 2

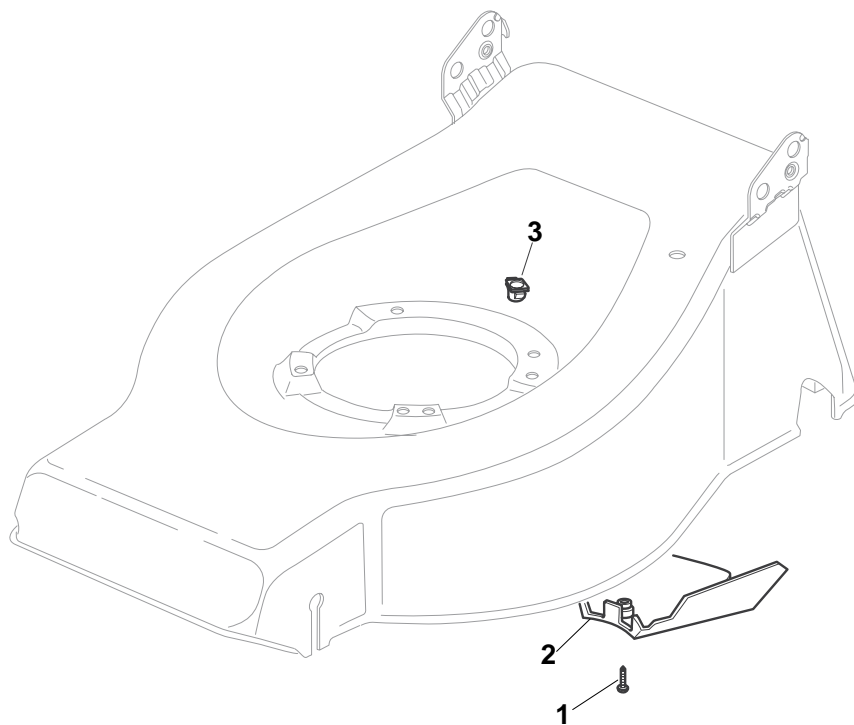


POS.	CODE	Q.TY	DESCRIZIONE	DESCRIPTION	DESCRIPTION	BESCHREIBUNG	REMARKS
1	381002606/2	1	Chassis Rosso	Deck Red	Châssis Rouge	Gehäuse Rot	484
1	381002608/2	1	Chassis Rosso	Deck Red	Châssis Rouge	Gehäuse Rot	534
2	22171002/0	2	Distanziale	Spacer	Entretoise	Distanzring	
3	381002861/0	1	Asse Ruote Anteriori	Axle, Front Wheels	Axe Roues Avant	Achse, Vorderrad	484
3	381002859/0	1	Asse Ruote Anteriori	Axle, Front Wheels	Axe Roues Avant	Achse, Vorderrad	534
4	12436050/0	2	Piastrina	Plate	Plaquette	Plättchen	
5	381001999/0	1	Asta Comando Regol. Altezza	Rod, Height Adjustment	Tige Commande Reglage Hauteur	Stange, Höhenverstellung	484
5	381002017/0	1	Asta Comando Regol. Altezza	Rod, Height Adjustment	Tige Commande Reglage Hauteur	Stange, Höhenverstellung	534
6	12530150/0	2	Rosetta	Washer	Rondelle	Scheibe	
7	22122200/0	4	Cuscinetto	Bearing	Coussinet	Lager	
8	81007343/0	2	Ruota Ø 210	Wheel Ø 210	Roue Ø 210	Rad Ø 210	
9	12521350/0	2	Rosetta	Washer	Rondelle	Scheibe	
10	12155000/0	2	Dado	Nut	Ecrou	Mutter	
11	-	2	Coprimozzo	Hub Cap	Couvre-Moyeu	Radkappe	(See Enclosure 2)
12	22517702/1	1	Fulcro Parasassi	Stone Guard Fulcrum	Point D'Appui Parepierres	Drehpunkt Prallblech	
13	22778427/0	1	Staffa Dx	Bracket, R	Bride D	Pratze, Rechte	

POS.	CODE	Q.TY	DESCRIZIONE	DESCRIPTION	DESCRIPTION	BESCHREIBUNG	REMARKS
14	22869717/0	1	Distanziale	Spacer	Entretoise	Distanzring	
15	22671653/0	8	Rosetta	Washer	Rondelle	Scheibe	
16	22778429/0	1	Staffa Sx	Bracket, L	Bride G	Pratze, Linke	
17	12155000/0	4	Dado	Nut	Ecrou	Mutter	
18	18203854/0	4	Cappuccio	Protection	Capuchon	Stecker	
19	12793301/0	2	Vite	Screw	Vis	Schraube	
20	22517860/0	1	Perno	Pin	Pivot	Bolzen	
21	12604899/0	2	Fissatore A Corona	Crown Fastener	Fixateur A Couronne	Kronescheibe	
22	12792611/0	3	Vite	Screw	Vis	Schraube	
23	322735579/1	1	Settore Regolazione Altezza	Sector, Height Adjustment	Secteur Reglage Hauteur	Sektor, Höheverstellung	
24	12523060/0	3	Rosetta	Washer	Rondelle	Scheibe	
25	12155000/0	3	Dado	Nut	Ecrou	Mutter	
26	22675100/0	2	Rosetta	Washer	Rondelle	Scheibe	
27	12728691/0	6	Vite	Screw	Vis	Schraube	
28	22120110/0	2	Ruota Dentata	Sprocket	Couronne	Zahnkettenrad	
29	22122200/0	4	Cuscinetto	Bearing	Coussinet	Lager	
30	81007380/0	2	Ruota Ø 300	Wheel Ø 300	Roue Ø 300	Rad Ø 300	
31	12521350/0	4	Rosetta	Washer	Rondelle	Scheibe	
32	12155000/0	2	Dado	Nut	Ecrou	Mutter	
33	-	2	Coprismozzo Ø 300	Hub Cap, Ø 300	Couvre-Moyeu, Ø 300	Radkappe, Ø 300	(See Enclosure 3)
41	12691800/0	0/1	Vite	Screw	Vis	Schraube	
41	12793701/0	3/2	Vite	Screw	Vis	Schraube	
42	12155000/0	0/1	Dado	Nut	Ecrou	Mutter	
42	12293201/0	3/2	Dado	Nut	Ecrou	Mutter	
43	12731350/0	4	Vite	Screw	Vis	Schraube	
44	22545152/0	2	Piastrina	Plate	Plaque	Platte	

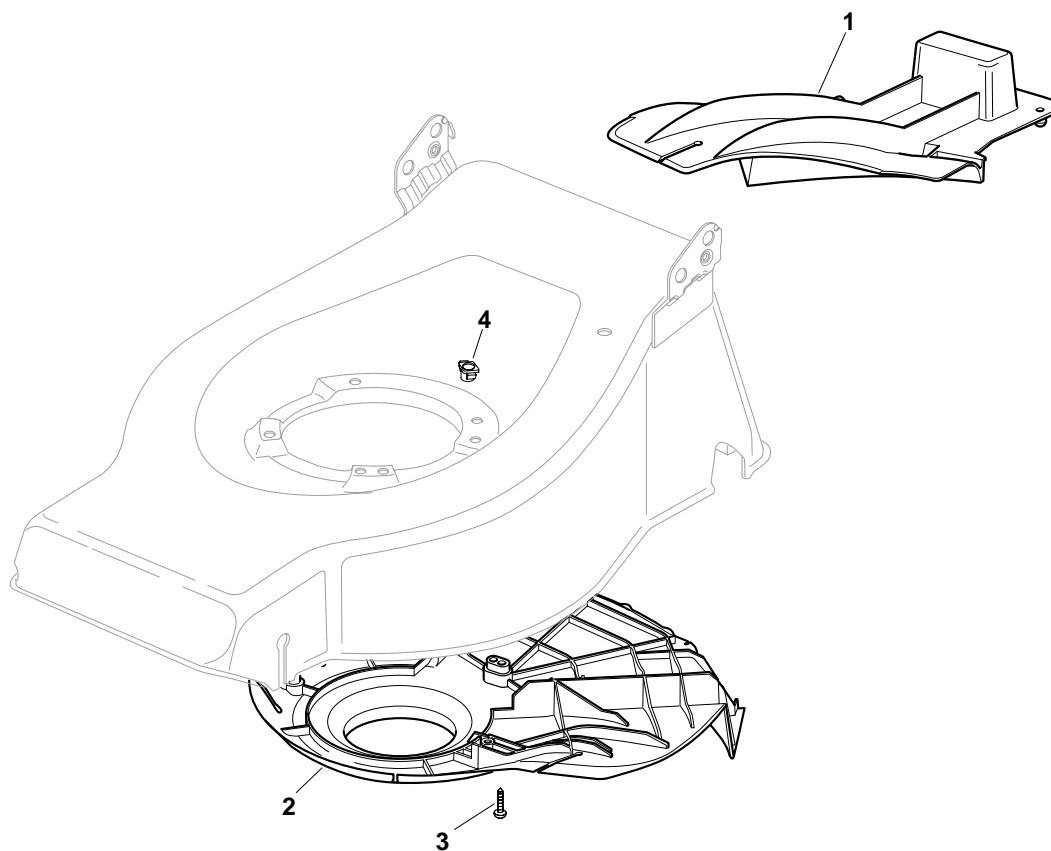
<b>W</b>				<b>WL</b>			
<b>484</b>				<b>534</b>			
<b>TR</b>	<b>TR-E</b>	<b>TR 4S</b>	<b>TR-E 4S</b>	<b>WTR</b>	<b>WTR-E</b>	<b>WTR 4S</b>	<b>WTR-E4S</b>

2009
<b>24_004</b>
1 / 1



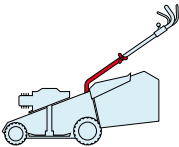
POS.	CODE	Q.TY	DESCRIZIONE	DESCRIPTION	DESCRIPTION	BESCHREIBUNG	REMARKS
1	12728530/0	1	Vite	Screw	Vis	Schraube	
2	22060192/0	1	Carter Cinghia	Protection, Belt	Protection	Schutz, Riemen	484
2	22060193/0	1	Carter Cinghia	Protection, Belt	Protection	Schutz, Riemen	534
3	22291150/0	1	Inserto In Gomma	Rubber Insert	Insert De	Gummi Einsatz	

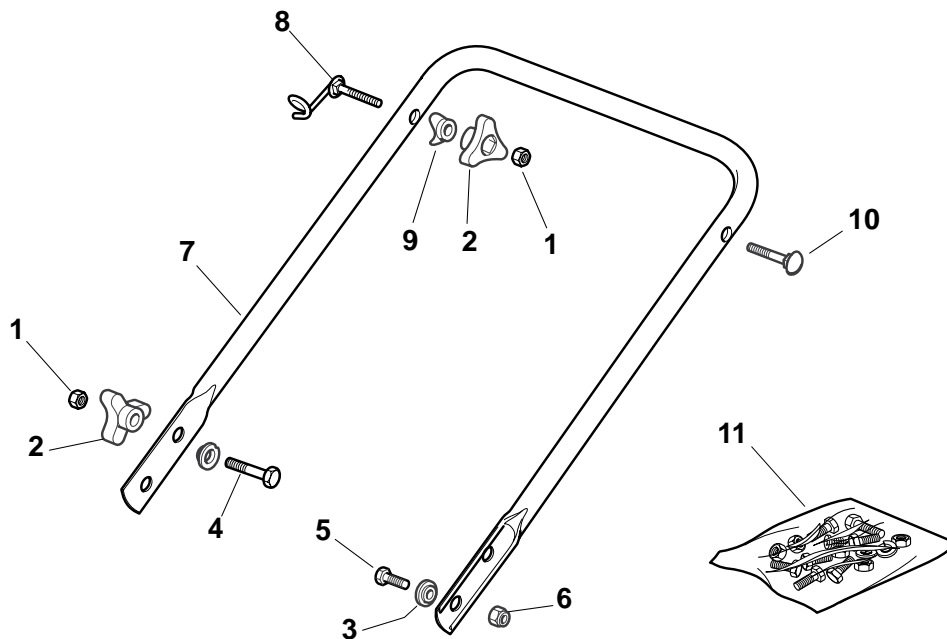
<b>W</b>				<b>WL</b>				2009
<b>484</b>				<b>534</b>				<b>24_005</b>
TR	TR-E	TR 4S	TR-E 4S	WTR	WTR-E	WTR 4S	WTR-E 4S	1 / 1



POS.	CODE	Q.TY	DESCRIZIONE	DESCRIPTION	DESCRIPTION	BESCHREIBUNG	REMARKS
1	22140223/0	1	Deflettore	Deflector	Deflecteur	Deflektor	484
1	22140222/0	1	Deflettore	Deflector	Deflecteur	Deflektor	534
2	22060199/0	1	Carter	Protection	Protection	Schutz	484
2	322060197/2	1	Carter	Protection	Protection	Schutz	534
3	12728530/0	3	Vite	Screw	Vis	Schraube	
4	22291150/0	1	Inserto In Gomma	Rubber Insert	Insert De	Gummi Einsatz	

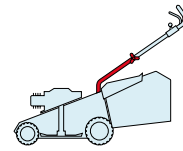


<b>W</b>				<b>WL</b>					2009
<b>484</b>				<b>534</b>					<b>24_006</b>
TR	TR-E	TR 4S	TR-E 4S	WTR	WTR-E	WTR 4S	WTR-E4S		1 / 1

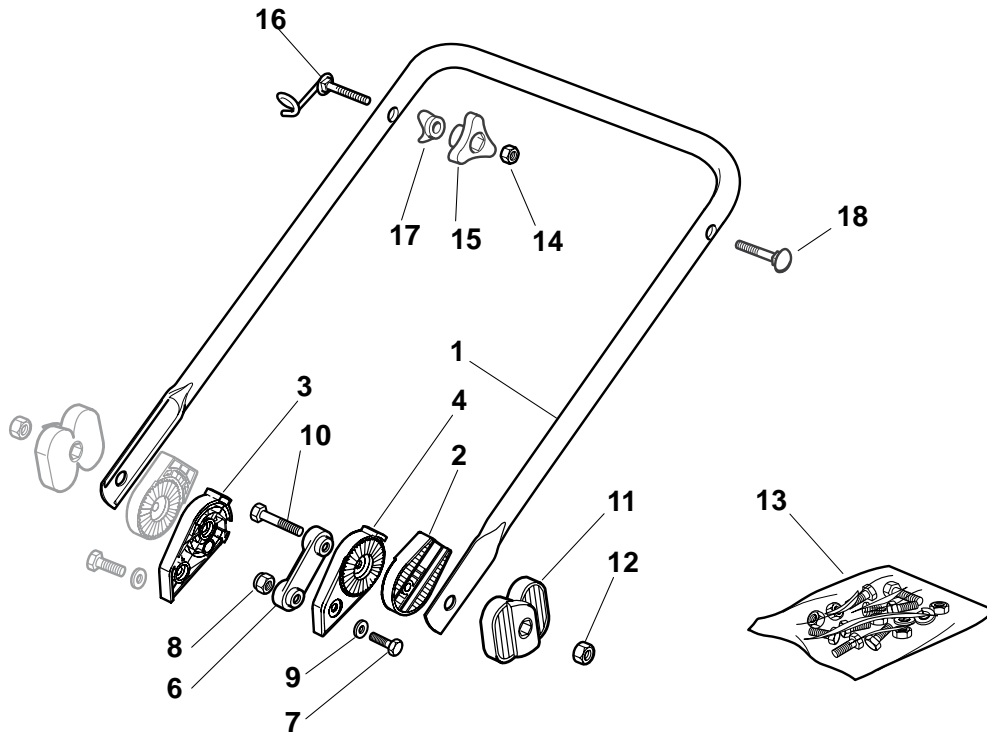


POS.	CODE	Q.TY	DESCRIZIONE	DESCRIPTION	DESCRIPTION	BESCHREIBUNG	REMARKS
1	12293200/0	4	Dado	Nut	Ecrou	Mutter	
2	22399900/0	4	Manopolina	Knob	Poignée	Griff	
3	22041955/0	4	Bussola	Bush	Douille	Buchse	
4	12793700/0	2	Vite	Screw	Vis	Schraube	
5	12792610/0	2	Vite	Screw	Vis	Schraube	
6	12155000/0	2	Dado	Nut	Ecrou	Mutter	
7	81006512/0	1	Manico, Parte Inf	Handle, Lower Part	Mancheron, Partie Inférieure	Holm, Unterteil	
8	81003801/1	1	Molla Guida	Spring	Ressort	Feder	
9	22680006/1	2	Rosetta	Washer	Rondelle	Scheibe	
10	12819201/0	1	Vite	Screw	Vis	Schraube	
11	81008614/3	1	Dotazione Viteria	Outfit, Screws	Dotation Visserie	Satz, Schrauben	

W				WL			
484				534			
TR	TR-E	TR 4S	TR-E 4S	WTR	WTR-E	WTR 4S	WTR-E4S

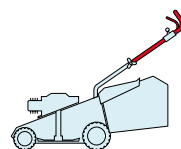


2009
<b>24_007</b>
1 / 1

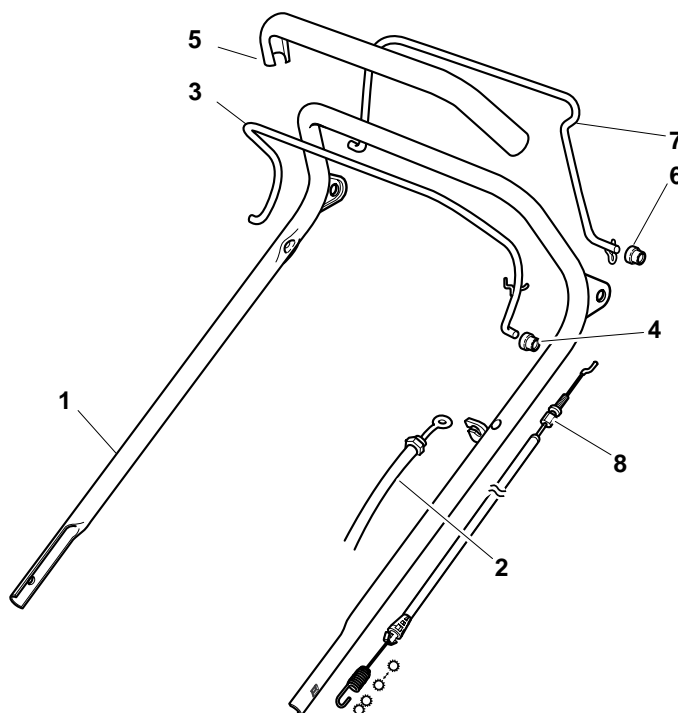


POS.	CODE	Q.TY	DESCRIZIONE	DESCRIPTION	DESCRIPTION	BESCHREIBUNG	REMARKS
1	81006532/0	1	Manico, Parte Inf	Handle, Lower Part	Mancheron, Partie Inférieure	Holm, Unterteil	
2	22785081/1	2	Supporto Esterno	Support, External	Support Externe	Halter, Außere	
3	22785082/0	1	Supporto Interno Dx	Support, R Internal	Support Interne D	Halter, Innere R	
4	22785083/1	1	Supporto Interno Sx	Support, L Internal	Support Interne G	Halter, Innere L	
6	22551575/0	2	Piastrina Interna	Plate, Inside	Plaquette Interne	Platte, Innere	
7	12793301/0	2	Vite	Screw	Vis	Schraube	
8	12155000/0	2	Dado	Nut	Ecrou	Mutter	
9	12521350/0	2	Rosetta	Washer	Rondelle	Scheibe	
10	12691810/0	2	Vite	Screw	Vis	Schraube	
11	22399803/0	2	Manopolina	Knob	Poignée	Griff	
12	12293202/0	2	Dado	Nut	Ecrou	Mutter	
13	81008623/1	1	Dotazione Viteria	Outfit, Screws	Dotation Visserie	Satz, Schrauben	
14	12293200/0	2	Dado	Nut	Ecrou	Mutter	
15	22399900/0	2	Manopolina	Knob	Poignée	Griff	
16	81003801/1	1	Molla Guida	Spring	Ressort	Feder	
17	22680006/1	2	Rosetta	Washer	Rondelle	Scheibe	
18	12819201/0	1	Vite	Screw	Vis	Schraube	

<b>W</b>				<b>WL</b>			
<b>484</b>				<b>534</b>			
<b>TR</b>	<b>TR-E</b>	<b>TR 4S</b>	<b>TR-E 4S</b>	<b>WTR</b>	<b>WTR-E</b>	<b>WTR 4S</b>	<b>WTR-E4S</b>



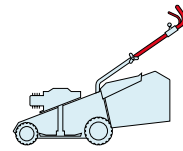
2009
<b>24_008</b>
1 / 2



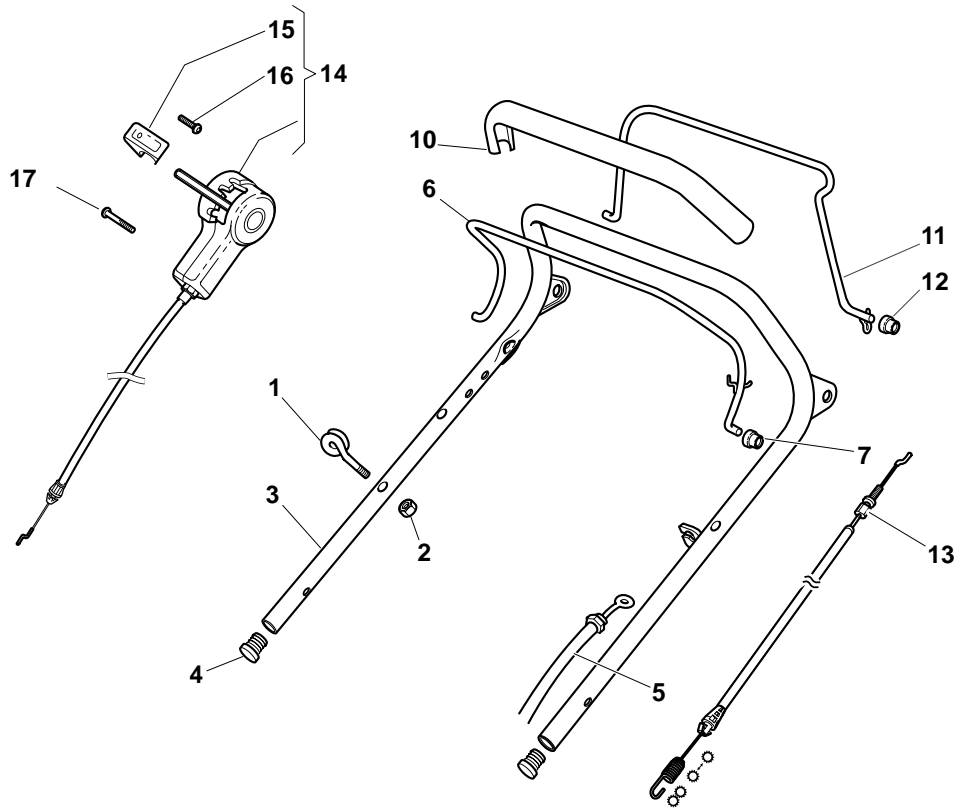
POS.	CODE	Q.TY	DESCRIZIONE	DESCRIPTION	DESCRIPTION	BESCHREIBUNG	REMARKS
1	81007024/0	1	Manico, Parte Sup	Handle, Upper Part	Mancheron, Partie Supérieure	Holm, Oberteil	
2	81000611/0	1	Cavo Freno Motore	Cable, Thread Engine Brake	Cable Frein Moteur	Kabel, Motorbremse	(Ggp 150cc)
2	81000625/0	1	Cavo Freno Motore	Cable, Thread Engine Brake	Cable Frein Moteur	Kabel, Motorbremse	484 (B&S 450-500 Series)
2	81000757/0	1	Cavo Freno Motore	Cable, Thread Engine Brake	Cable Frein Moteur	Kabel, Motorbremse	484 (B&S 675 Series Es)
2	81000757/0	1	Cavo Freno Motore	Cable, Thread Engine Brake	Cable Frein Moteur	Kabel, Motorbremse	484 (B&S 625-675 Series)
2	81000757/0	1	Cavo Freno Motore	Cable, Thread Engine Brake	Cable Frein Moteur	Kabel, Motorbremse	484 (Ggp 140cc)
2	81000757/0	1	Cavo Freno Motore	Cable, Thread Engine Brake	Cable Frein Moteur	Kabel, Motorbremse	484 (Ggp 160cc)
2	81000641/0	1	Cavo Freno Motore	Cable, Thread Engine Brake	Cable Frein Moteur	Kabel, Motorbremse	484 (Honda Gcv 135-160)
2	81000643/0	1	Cavo Freno Motore	Cable, Thread Engine Brake	Cable Frein Moteur	Kabel, Motorbremse	534 (B&S 500 Series)
2	81000756/0	1	Cavo Freno Motore	Cable, Thread Engine Brake	Cable Frein Moteur	Kabel, Motorbremse	534 (B&S 675 Series Es)
2	81000756/0	1	Cavo Freno Motore	Cable, Thread Engine Brake	Cable Frein Moteur	Kabel, Motorbremse	534 (B&S 625-675 Series)
2	181030009/0	1	Cavo Freno Motore	Cable, Thread Engine Brake	Cable Frein Moteur	Kabel, Motorbremse	534 (B&S 700 Series)
2	81000756/0	1	Cavo Freno Motore	Cable, Thread Engine Brake	Cable Frein Moteur	Kabel, Motorbremse	534 (Ggp 140cc)
2	81000756/0	1	Cavo Freno Motore	Cable, Thread Engine Brake	Cable Frein Moteur	Kabel, Motorbremse	534 (Ggp 160cc)
2	81000756/0	1	Cavo Freno Motore	Cable, Thread Engine Brake	Cable Frein Moteur	Kabel, Motorbremse	534 (Ggp 196cc)
2	81000640/0	1	Cavo Freno Motore	Cable, Thread Engine Brake	Cable Frein Moteur	Kabel, Motorbremse	534 (Honda Gcv 135-160-190)
2	81000611/0	1	Cavo Freno Motore	Cable, Thread Engine Brake	Cable Frein Moteur	Kabel, Motorbremse	484 WTR (Ggp 150cc)
2	81000616/1	1	Cavo Freno Motore	Cable, Thread Engine Brake	Cable Frein Moteur	Kabel, Motorbremse	484 WTR (Ggp 140cc)
2	81000616/1	1	Cavo Freno Motore	Cable, Thread Engine Brake	Cable Frein Moteur	Kabel, Motorbremse	484 WTR (Ggp 160cc)
2	81000616/1	1	Cavo Freno Motore	Cable, Thread Engine Brake	Cable Frein Moteur	Kabel, Motorbremse	484 WTR (B&S 450-500 Series)
2	81000616/1	1	Cavo Freno Motore	Cable, Thread Engine Brake	Cable Frein Moteur	Kabel, Motorbremse	484 WTR (B&S 625-675 Series)

POS.	CODE	Q.TY	DESCRIZIONE	DESCRIPTION	DESCRIPTION	BESCHREIBUNG	REMARKS
2	81000616/1	1	Cavo Freno Motore	Cable, Thread Engine Brake	Cable Frein Moteur	Kabel, Motorbremse	484 W TR (Honda Gcv 135-160)
2	81000622/2	1	Cavo Freno Motore	Cable, Thread Engine Brake	Cable Frein Moteur	Kabel, Motorbremse	534 W TR (Ggp 150cc)
2	81000756/0	1	Cavo Freno Motore	Cable, Thread Engine Brake	Cable Frein Moteur	Kabel, Motorbremse	534 W TR (Ggp 140cc)
2	81000756/0	1	Cavo Freno Motore	Cable, Thread Engine Brake	Cable Frein Moteur	Kabel, Motorbremse	534 W TR (Ggp 160cc)
2	81000756/0	1	Cavo Freno Motore	Cable, Thread Engine Brake	Cable Frein Moteur	Kabel, Motorbremse	534 W TR (Ggp 196cc)
2	181000761/0	1	Cavo Freno Motore	Cable, Thread Engine Brake	Cable Frein Moteur	Kabel, Motorbremse	534 W TR (B&S 500 Series)
2	181000761/0	1	Cavo Freno Motore	Cable, Thread Engine Brake	Cable Frein Moteur	Kabel, Motorbremse	534 W TR (B&S 625-675 Series)
2	181030009/0	1	Cavo Freno Motore	Cable, Thread Engine Brake	Cable Frein Moteur	Kabel, Motorbremse	534 W TR (B&S 700 Series)
2	81000616/1	1	Cavo Freno Motore	Cable, Thread Engine Brake	Cable Frein Moteur	Kabel, Motorbremse	534 W TR (Honda Gcv 135-160)
3	81003291/3	1	Leva Freno Motore	Lever, Engine Brake	Levier Frein Moteur	Hebel, Motorbremse	
4	22041966/0	2	Bussola	Bush	Douille	Buchse	
5	22291050/0	1	Impugnatura Manico Nera	Handgrip Black	Poignée Noire	Handgriff Schwarz	
6	22041965/1	2	Bussola	Bush	Douille	Buchse	
7	81003288/1	1	Leva Trazione	Lever, Driving	Levier Traction	Hebel, Antrieb	
8	81000672/0	1	Cavo Comando Trazione	Cable, Rear Drive	Câble, Commande Traction	Kabel, Antrieb	(Bi Ci Di)
8	81000668/1	1	Cavo Comando Trazione	Cable, Rear Drive	Câble, Commande Traction	Kabel, Antrieb	(General Transmission)

W				WL			
484				534			
TR	TR-E	TR 4S	TR-E 4S	WTR	WTR-E	WTR 4S	WTR-E4S



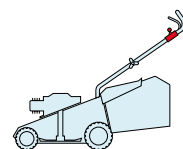
2009
<b>24_009</b>
1 / 2



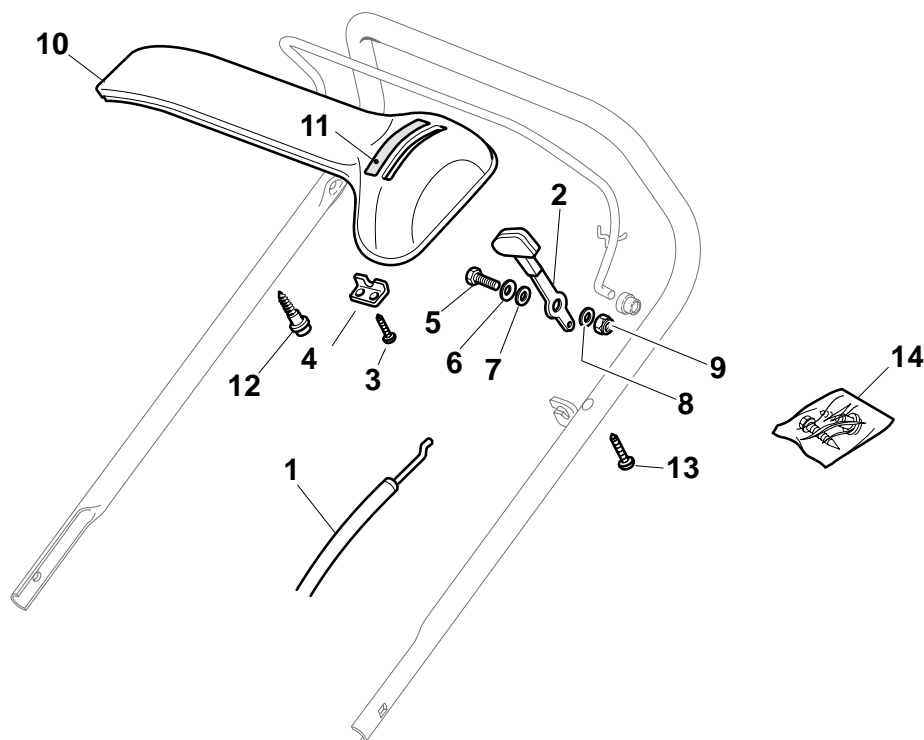
POS.	CODE	Q.TY	DESCRIZIONE	DESCRIPTION	DESCRIPTION	BESCHREIBUNG	REMARKS
1	81006863/0	1	Manico, Parte Sup	Handle, Upper Part	Mancheron, Partie Supérieure	Holm, Oberteil	
2	81000611/0	1	Cavo Freno Motore	Cable, Thread Engine Brake	Cable Frein Moteur	Kabel, Motorbremse	(Ggp 150cc)
2	81000625/0	1	Cavo Freno Motore	Cable, Thread Engine Brake	Cable Frein Moteur	Kabel, Motorbremse	484 (B&S 450-500 Series)
2	81000757/0	1	Cavo Freno Motore	Cable, Thread Engine Brake	Cable Frein Moteur	Kabel, Motorbremse	484 (B&S 675 Series Es)
2	81000757/0	1	Cavo Freno Motore	Cable, Thread Engine Brake	Cable Frein Moteur	Kabel, Motorbremse	484 (B&S 625-675 Series)
2	81000757/0	1	Cavo Freno Motore	Cable, Thread Engine Brake	Cable Frein Moteur	Kabel, Motorbremse	484 (Ggp 140cc)
2	81000757/0	1	Cavo Freno Motore	Cable, Thread Engine Brake	Cable Frein Moteur	Kabel, Motorbremse	484 (Ggp 160cc)
2	81000641/0	1	Cavo Freno Motore	Cable, Thread Engine Brake	Cable Frein Moteur	Kabel, Motorbremse	484 (Honda Gcv 135-160)
2	81000643/0	1	Cavo Freno Motore	Cable, Thread Engine Brake	Cable Frein Moteur	Kabel, Motorbremse	534 (B&S 500 Series)
2	81000756/0	1	Cavo Freno Motore	Cable, Thread Engine Brake	Cable Frein Moteur	Kabel, Motorbremse	534 (B&S 675 Series Es)
2	81000756/0	1	Cavo Freno Motore	Cable, Thread Engine Brake	Cable Frein Moteur	Kabel, Motorbremse	534 (B&S 625-675 Series)
2	181030009/0	1	Cavo Freno Motore	Cable, Thread Engine Brake	Cable Frein Moteur	Kabel, Motorbremse	534 (B&S 700 Series)
2	81000756/0	1	Cavo Freno Motore	Cable, Thread Engine Brake	Cable Frein Moteur	Kabel, Motorbremse	534 (Ggp 140cc)
2	81000756/0	1	Cavo Freno Motore	Cable, Thread Engine Brake	Cable Frein Moteur	Kabel, Motorbremse	534 (Ggp 160cc)
2	81000756/0	1	Cavo Freno Motore	Cable, Thread Engine Brake	Cable Frein Moteur	Kabel, Motorbremse	534 (Ggp 196cc)
2	81000640/0	1	Cavo Freno Motore	Cable, Thread Engine Brake	Cable Frein Moteur	Kabel, Motorbremse	534 (Honda Gcv 135-160-190)
2	81000611/0	1	Cavo Freno Motore	Cable, Thread Engine Brake	Cable Frein Moteur	Kabel, Motorbremse	484 W TR (Ggp 150cc)
2	81000616/1	1	Cavo Freno Motore	Cable, Thread Engine Brake	Cable Frein Moteur	Kabel, Motorbremse	484 W TR (Ggp 140cc)
2	81000616/1	1	Cavo Freno Motore	Cable, Thread Engine Brake	Cable Frein Moteur	Kabel, Motorbremse	484 W TR (Ggp 160cc)
2	81000616/1	1	Cavo Freno Motore	Cable, Thread Engine Brake	Cable Frein Moteur	Kabel, Motorbremse	484 W TR (B&S 450-500 Series)

POS.	CODE	Q.TY	DESCRIZIONE	DESCRIPTION	DESCRIPTION	BESCHREIBUNG	REMARKS
2	81000616/1	1	Cavo Freno Motore	Cable, Thread Engine Brake	Cable Frein Moteur	Kabel, Motorbremse	484 W TR (B&S 625-675 Series)
2	81000616/1	1	Cavo Freno Motore	Cable, Thread Engine Brake	Cable Frein Moteur	Kabel, Motorbremse	484 W TR (Honda Gcv 135-160)
2	81000622/2	1	Cavo Freno Motore	Cable, Thread Engine Brake	Cable Frein Moteur	Kabel, Motorbremse	534 W TR (Ggp 150cc)
2	81000756/0	1	Cavo Freno Motore	Cable, Thread Engine Brake	Cable Frein Moteur	Kabel, Motorbremse	534 W TR (Ggp 140cc)
2	81000756/0	1	Cavo Freno Motore	Cable, Thread Engine Brake	Cable Frein Moteur	Kabel, Motorbremse	534 W TR (Ggp 160cc)
2	81000756/0	1	Cavo Freno Motore	Cable, Thread Engine Brake	Cable Frein Moteur	Kabel, Motorbremse	534 W TR (Ggp 196cc)
2	181000761/0	1	Cavo Freno Motore	Cable, Thread Engine Brake	Cable Frein Moteur	Kabel, Motorbremse	534 W TR (B&S 500 Series)
2	181000761/0	1	Cavo Freno Motore	Cable, Thread Engine Brake	Cable Frein Moteur	Kabel, Motorbremse	534 W TR (B&S 625-675 Series)
2	181030009/0	1	Cavo Freno Motore	Cable, Thread Engine Brake	Cable Frein Moteur	Kabel, Motorbremse	534 W TR (B&S 700 Series)
2	81000616/1	1	Cavo Freno Motore	Cable, Thread Engine Brake	Cable Frein Moteur	Kabel, Motorbremse	534 W TR (Honda Gcv 135-160)
3	81003291/3	1	Leva Freno Motore	Lever, Engine Brake	Levier Frein Moteur	Hebel, Motorbremse	
4	22041966/0	2	Bussola	Bush	Douille	Buchse	
5	22291050/0	1	Impugnatura Manico Nera	Handgrip Black	Poignée Noire	Handgriff Schwarz	
6	22041965/1	2	Bussola	Bush	Douille	Buchse	
7	81003288/1	1	Leva Trazione	Lever, Driving	Levier Traction	Hebel, Antrieb	
8	81000668/1	1	Cavo Comando Trazione	Cable, Rear Drive	Câble, Commande Traction	Kabel, Antrieb	(General Transmission)
11	81007109/0	1	Cavo Comando Marce	Cable, Speed Drive Control	Cable, Comm. Change-ment Vitesse	Kabel, Gängeschaltun	484 4S
11	81007110/0	1	Cavo Comando Marce	Cable, Speed Drive Control	Cable, Comm. Change-ment Vitesse	Kabel, Gängeschaltun	534 4S
12	22399809/0	1	Manopolina	Knob	Poignée	Griff	
13	12728300/0	1	Vite	Screw	Vis	Schraube	
14	12728702/0	2	Vite	Screw	Vis	Schraube	

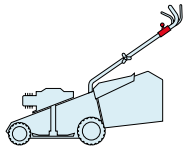
<b>W</b>				<b>WL</b>			
<b>484</b>				<b>534</b>			
<b>TR</b>	<b>TR-E</b>	<b>TR 4S</b>	<b>TR-E 4S</b>	<b>WTR</b>	<b>WTR-E</b>	<b>WTR 4S</b>	<b>WTR-E4S</b>

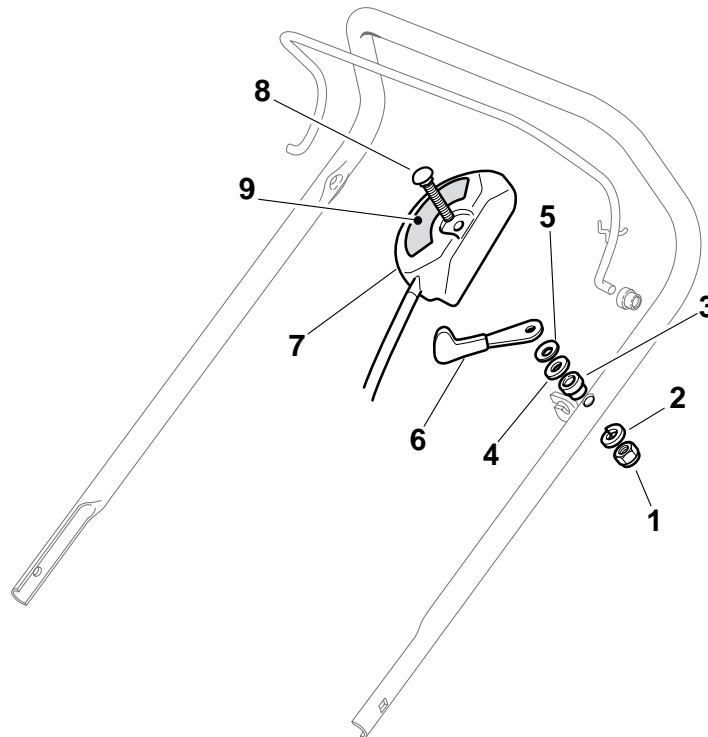


2009
<b>24_010</b>
1 / 1



POS.	CODE	Q.TY	DESCRIZIONE	DESCRIPTION	DESCRIPTION	BESCHREIBUNG	REMARKS
1	81007160/0	1	Cavo Acceleratore	Throttle Cable	Cable, Accelérateur	Gashebel Kabel	
2	81007280/2	1	Leva, Acceleratore	Lever, Throttle	Levier,	Hebel, Beshleuniger	(B&S 625-675-700 Series - Honda - Ggp 140-160-196 cc)
2	81007221/0	1	Leva, Acceleratore	Lever, Throttle	Levier,	Hebel, Beshleuniger	(B&S 450-500 Series - Ggp 150 cc)
3	12735105/0	2	Vite	Screw	Vis	Schraube	
4	22981467/0	1	Piastrina	Plate	Plaquette	Platte	
5	12791500/0	1	Vite	Screw	Vis	Schraube	
6	12530060/0	1	Rosetta Elastica	Elastic Washer	Rondelle Elastique	Elastische Scheibe	
7	12523040/0	1	Rosetta	Washer	Rondelle	Scheibe	
8	12523040/0	1	Rosetta	Washer	Rondelle	Scheibe	
9	12154510/0	1	Dado	Nut	Ecrou	Mutter	
10	22120152/0	1	Cruscotto Giallo	Dash Board Yellow	Console Jaune	Konsole Gelbe	
10	22120154/0	1	Cruscotto Rosso	Dash Board Red	Console Rouge	Konsole Rote	
10	22120158/0	1	Cruscotto Nero	Dash Board Black	Console Noire	Konsole Schwarze	
11	114356744/1	1	Etichetta	Label	Etiquette	Etikette	(B&S)
11	114356906/1	1	Etichetta	Label	Etiquette	Etikette	(B&S 700 series DOV)
11	114356743/1	1	Etichetta	Label	Etiquette	Etikette	(GGP)
11	114356743/1	1	Etichetta	Label	Etiquette	Etikette	(Honda)
11	114357646/1	1	Etichetta	Label	Etiquette	Etikette	(Honda GCV 160-190 Autochoke)
12	22943006/0	1	Vite	Screw	Vis	Schraube	
13	12728460/0	1	Vite	Screw	Vis	Schraube	
14	81008609/0	1	Dotazione Viteria Cruscotto	Outfit, Dash-Board Screws	Dotation Visserie Console	Satz, Konsole Schrauben	

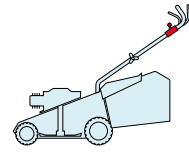
<b>W</b>				<b>WL</b>					2009
<b>484</b>				<b>534</b>					<b>24_011</b>
TR	TR-E	TR 4S	TR-E 4S	WTR	WTR-E	WTR 4S	WTR-E4S		1 / 1



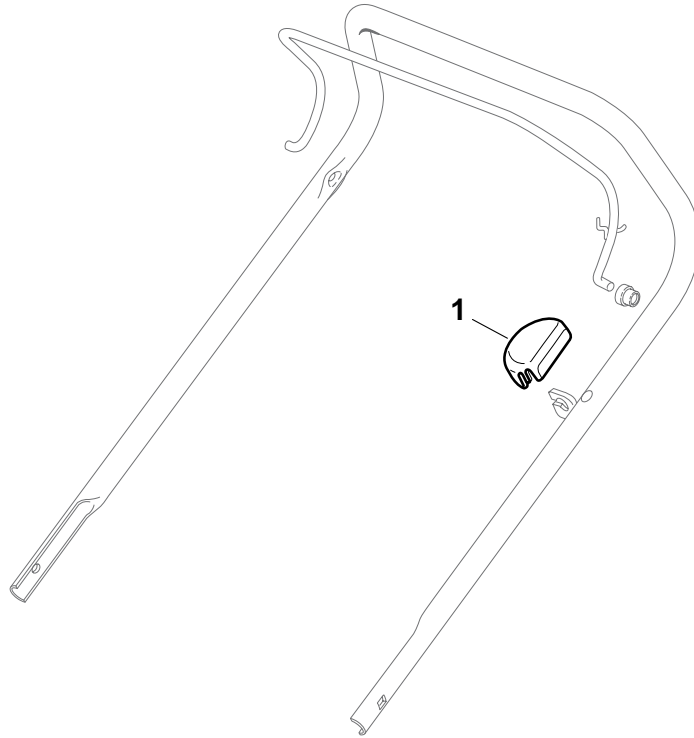
POS.	CODE	Q.TY	DESCRIZIONE	DESCRIPTION	DESCRIPTION	BESCHREIBUNG	REMARKS
1	12291000/0	1	Dado	Nut	Ecrou	Mutter	
2	12581500/0	1	Grower	Grower	Grower	Federring	
3	22171005/0	1	Distanziale	Spacer	Entretoise	Distanzring	
4	12521360/0	1	Rosetta	Washer	Rondelle	Scheibe	
5	12508100/0	1	Rosetta Elastica	Spring Washer	Rondelle Elastique	Elastische Scheibe	
6	81007279/1	1	Leva, Acceleratore	Lever, Throttle	Levier, Accelérateur	Hebel, Beshleuniger	(B&S 625-675-700 Series - Honda - Ggp 140-160-196 cc)
6	81007220/0	1	Leva, Acceleratore	Lever, Throttle	Levier, Accelérateur	Hebel, Beshleuniger	(B&S 450-500 Series - Ggp 150 cc)
7	81007080/0	1	Cavo Acceleratore	Throttle Cable	Cable, Accelérateur	Gashebel Kabel	
8	12815000/0	1	Vite	Screw	Vis	Schraube	
9	14356703/0	1	Etichetta	Label	Etiquette	Etikette	(B&S)
9	114356905/0	1	Etichetta	Label	Etiquette	Etikette	(B&S 700 series DOV)
9	14356702/0	1	Etichetta	Label	Etiquette	Etikette	(GGP)
9	114364264/0	1	Etichetta	Label	Etiquette	Etikette	AVS (GGP 160-196)
9	14356702/0	1	Etichetta	Label	Etiquette	Etikette	(Honda)
9	114356905/0	1	Etichetta	Label	Etiquette	Etikette	(Honda GCV 160-190 Autochoke)



<b>W</b>				<b>WL</b>			
<b>484</b>				<b>534</b>			
<b>TR</b>	<b>TR-E</b>	<b>TR 4S</b>	<b>TR-E 4S</b>	<b>WTR</b>	<b>WTR-E</b>	<b>WTR 4S</b>	<b>WTR-E4S</b>

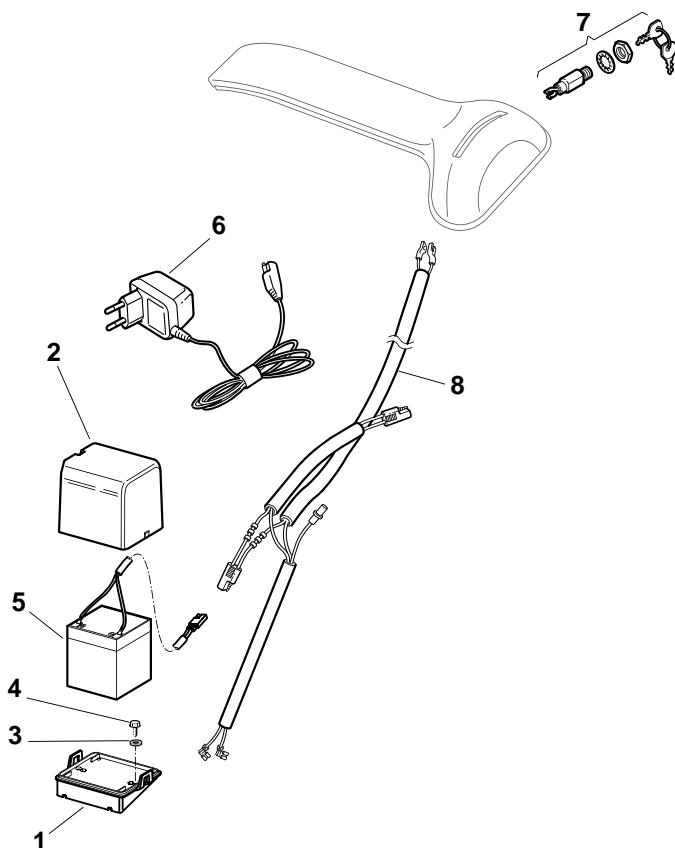


2009
<b>24_012</b>
1 / 1



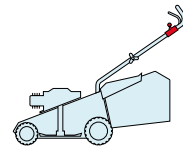
POS.	CODE	Q.TY	DESCRIZIONE	DESCRIPTION	DESCRIPTION	BESCHREIBUNG	REMARKS
1	22601000/0	1	Protezione	Protection	Protection	Schutz	

<b>W</b>				<b>WL</b>					2009
<b>484</b>				<b>534</b>					<b>24_013</b>
TR	TR-E	TR 4S	TR-E 4S	WTR	WTR-E	WTR 4S	WTR-E 4S		1 / 1

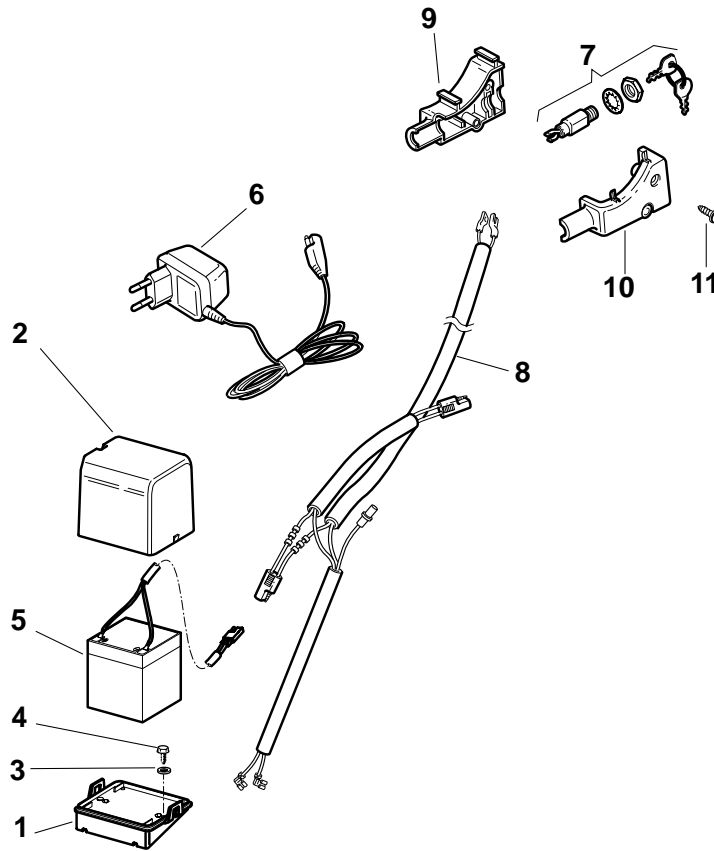


POS.	CODE	Q.TY	DESCRIZIONE	DESCRIPTION	DESCRIPTION	BESCHREIBUNG	REMARKS
1	22785123/0	1	Supporto Batteria	Support, Battery	Support Batterie	Halter, Batterie	
2	22109530/0	1	Coperchio	Cover	Couvercle	Deckel	
3	12521310/0	2	Rosetta	Washer	Rondelle	Scheibe	
4	12731590/0	2	Vite	Screw	Vis	Schraube	
5	18120052/0	1	Batteria	Battery	Batterie	Batterie	
6	18204120/0	1	Carica Batteria	Battery Charger	Chargeur De	Ladgerät	
6	18204121/0	1	Carica Batteria	Battery Charger	Chargeur De	Ladgerät	(Uk)
7	18450050/0	1	Interruttore	Switch	Interrupteur	Schalter	
8	118204192/3	1	Cavo Avviamento	Cable, Start	Cable Démarrage	Kabel, Start	(B&S - GGP)
8	18204198/0	1	Cavo Avviamento	Cable, Start	Cable Démarrage	Kabel, Start	(Honda)

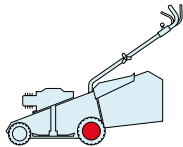
<b>W</b>				<b>WL</b>			
<b>484</b>				<b>534</b>			
TR	TR-E	TR 4S	TR-E 4S	WTR	WTR-E	WTR 4S	WTR-E4S

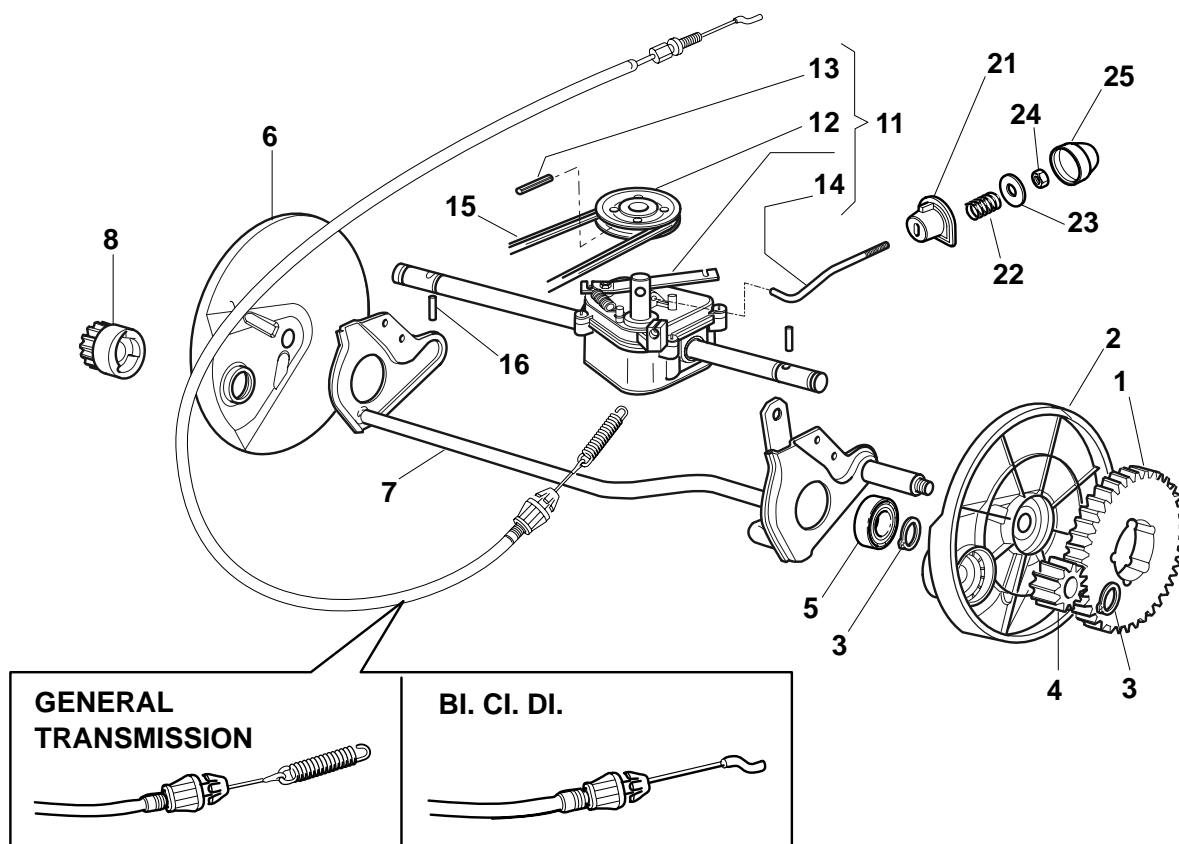


2009
<b>24_014</b>
1 / 1

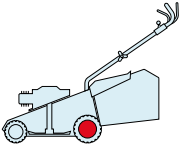


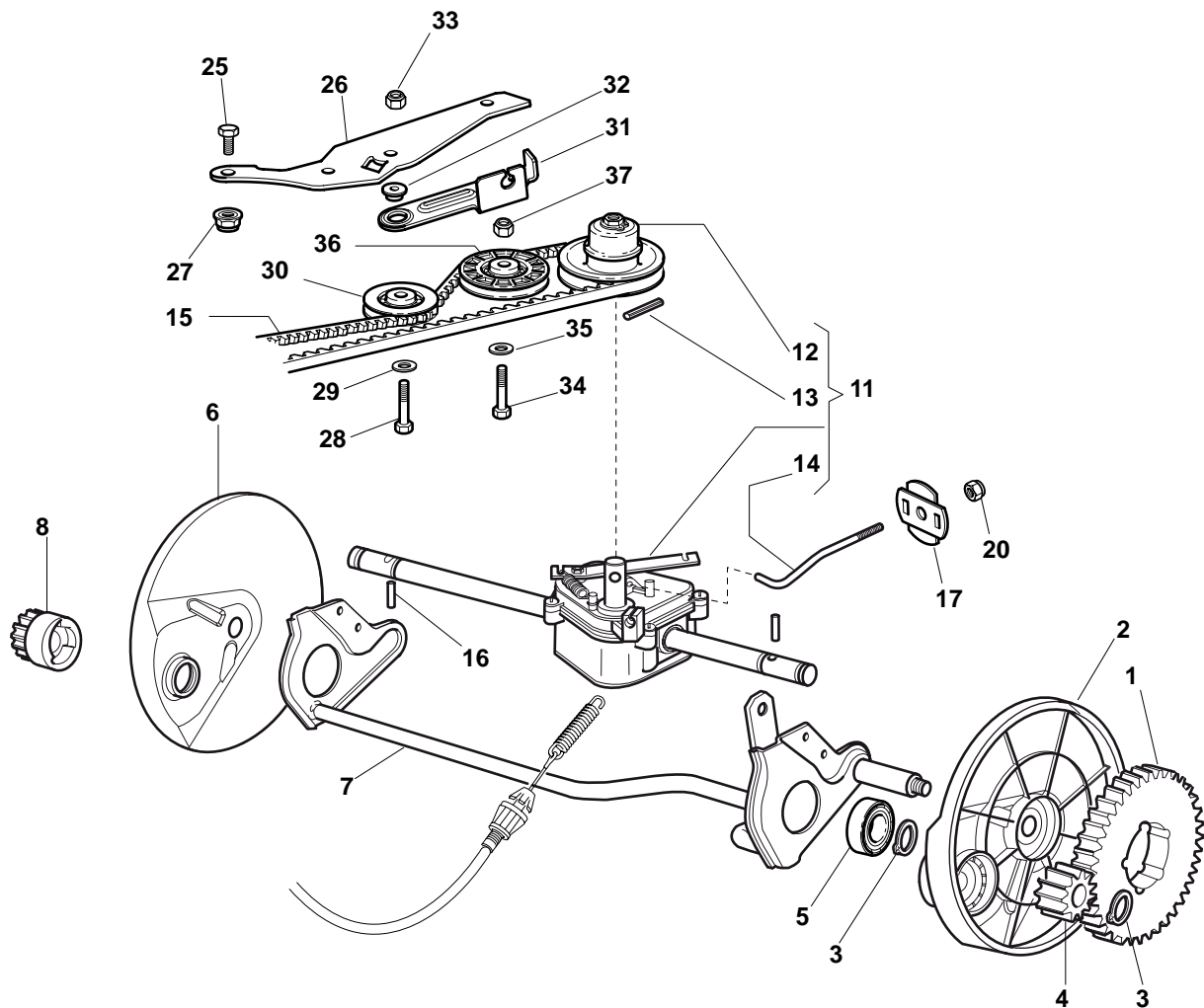
POS.	CODE	Q.TY	DESCRIZIONE	DESCRIPTION	DESCRIPTION	BESCHREIBUNG	REMARKS
1	22785123/0	1	Supporto Batteria	Support, Battery	Support Batterie	Halter, Batterie	
2	22109530/0	1	Coperchio	Cover	Couvercle	Deckel	
3	12521310/0	2	Rosetta	Washer	Rondelle	Scheibe	
4	12731590/0	2	Vite	Screw	Vis	Schraube	
5	18120052/0	1	Batteria	Battery	Batterie	Batterie	
6	18204120/0	1	Carica Batteria	Battery Charger	Chargeur De	Ladgerät	
6	18204121/0	1	Carica Batteria	Battery Charger	Chargeur De	Ladgerät	(Uk)
7	18450050/0	1	Interruttore	Switch	Interrupteur	Schalter	
8	118204192/3	1	Cavo Avviamento	Cable, Start	Cable Démarrage	Kabel, Start	(B&S - GGP)
8	18204198/0	1	Cavo Avviamento	Cable, Start	Cable Démarrage	Kabel, Start	(Honda)
9	22722804/0	1	Protezione Dx	R Protection	Protection D	Rechte Schutz	
10	22722805/0	1	Protezione Sx	L Protection	Protection G	Linke Schutz	
11	12728300/0	1	Vite	Screw	Vis	Schraube	

<b>W</b>				<b>WL</b>					2009
<b>484</b>				<b>534</b>					<b>24_015</b>
TR	TR-E	TR 4S	TR-E 4S	WTR	WTR-E	WTR 4S	WTR-E 4S		1 / 1



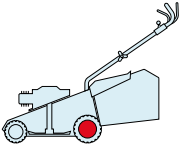
POS.	CODE	Q.TY	DESCRIZIONE	DESCRIPTION	DESCRIPTION	BESCHREIBUNG	REMARKS
1	22120105/1	2	Corona	Ring Gear	Couronne	Kranz	
2	22600093/0	1	Prot. Ruote Sx	Protection, L Wheel	Protection Roue G	Schütz, Linkes	
3	12608600/0	4	Seeger	Seeger	Seeger	Seeger	
4	22570120/1	1	Pignone Sx	Pinion L	Pignon G	Ritzel Linkes	
5	19216035/0	2	Cuscinetto	Bearing	Coussinet	Lager	
6	22600092/0	1	Prot. Ruote Dx	Protection, R Wheel	Protection Roue D	Schütz, Rechtes	
7	81000147/0	1	Asse Ruote Posteriori	Axle, Rear Wheels	Axe Roues Arriere	Achse, Hinterrad	
8	22570110/1	1	Pignone Dx	Pinion R	Pignon D	Ritzel Rechtes	
11	81003081/1	1	Gruppo Trazione (Grigio)	Gear Box (Grey)	Groupe Traction	Antrieb (Grau)	(Bi Ci Di)
11	81003076/0	1	Gruppo Trazione	Gear Box	Groupe Traction	Antrieb	(General Transmission)
12	22601904/0	1	Puleggia	Pulley	Poulie	Riemenscheibe	
13	12645705/0	1	Spina	Pin	Goupille	Stift	
14	22033280/0	1	Asta Regolazione	Adjustment Rod	Tige Reglage	Verstellungstange	(Bi Ci Di)
14	22033283/0	1	Asta Regolazione	Adjustment Rod	Tige Reglage	Verstellungstange	(General Transmission)
15	35063800/0	1	Cinghia Z 27	Belt Z 27	Courroie Z 27	Riemen Z 27	484
15	35063902/0	1	Cinghia Z 29.5	Belt Z 29.5	Courroie Z 29.5	Riemen Z 29.5	534
16	22753000/0	2	Spina	Pin	Goupille	Stift	
21	22041957/1	1	Bussola	Bush	Douille	Buchse	
22	22450063/0	1	Molla	Spring	Ressort	Feder	
23	22680009/0	1	Rosetta	Washer	Rondelle	Scheibe	
24	12154510/0	1	Dado	Nut	Ecrou	Mutter	
25	22110230/0	1	Tappo	Cap	Bouchon	Gummistopfen	

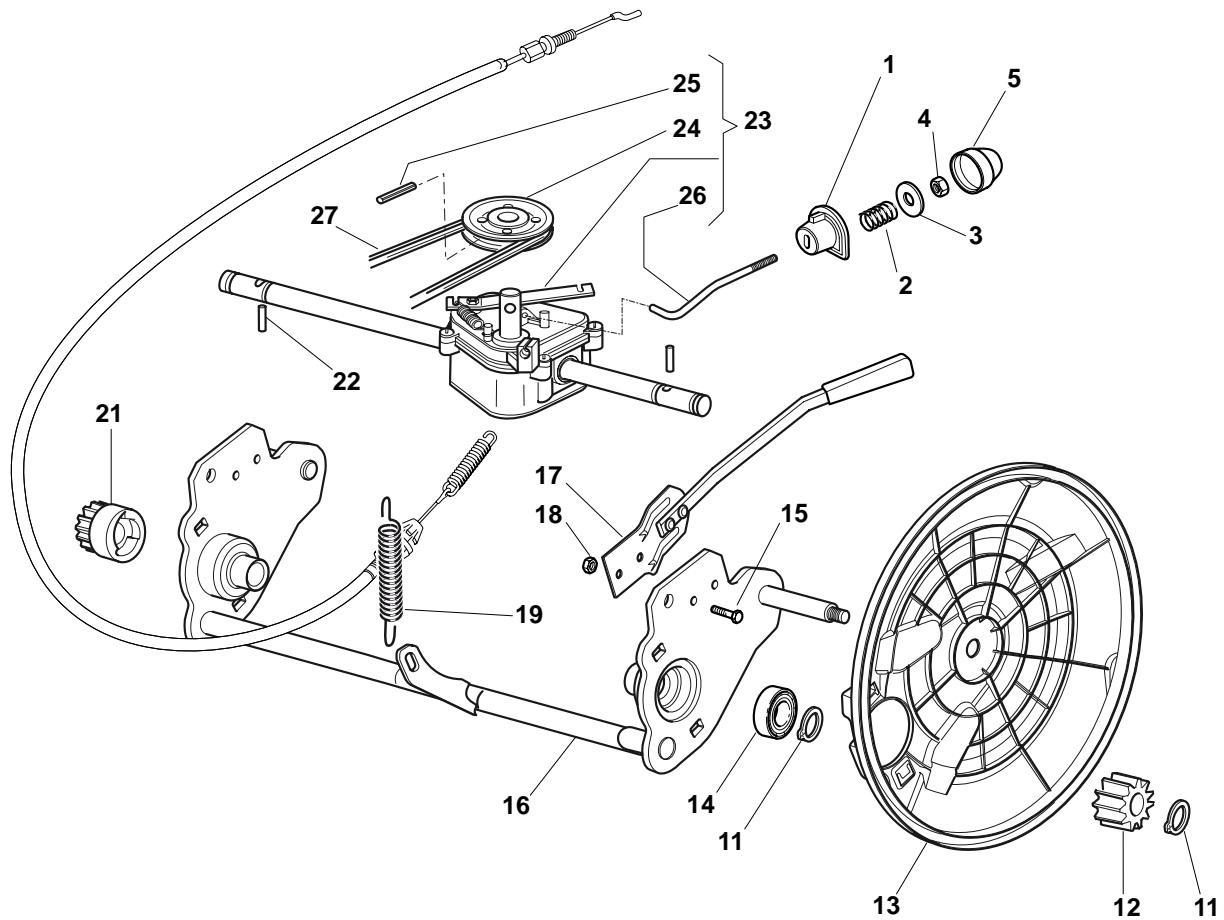
<b>W</b>				<b>WL</b>					2009
<b>484</b>				<b>534</b>					<b>24_016</b>
TR	TR-E	TR 4S	TR-E 4S	WTR	WTR-E	WTR 4S	WTR-E4S		1 / 2



POS.	CODE	Q.TY	DESCRIZIONE	DESCRIPTION	DESCRIPTION	BESCHREIBUNG	REMARKS
1	22120105/1	2	Corona	Ring Gear	Couronne	Kranz	
2	22600093/0	1	Prot. Ruote Sx	Protection, L Wheel	Protection Roue G	Schütz, Linkes	
3	12608600/0	4	Seeger	Seeger	Seeger	Seeger	
4	22570120/1	1	Pignone Sx	Pinion L	Pignon G	Ritzel Linkes	
5	19216035/0	2	Cuscinetto	Bearing	Coussinet	Lager	
6	22600092/0	1	Prot. Ruote Dx	Protection, R Wheel	Protection Roue D	Schütz, Rechtes	
7	81000147/0	1	Asse Ruote Posteriori	Axle, Rear Wheels	Axe Roues Arriere	Achse, Hinterrad	
8	22570110/1	1	Pignone Dx	Pinion R	Pignon D	Ritzel Rechtes	
11	181003096/2	1	Gruppo Trazione	Gear Box	Groupe Traction	Antrieb	(General Transmission)
12	122601925/0	1	Puleggia	Pulley	Poulie	Riemenscheibe	
13	12645700/0	1	Spina	Pin	Goupille	Stift	
14	22033285/0	1	Asta Regolazione	Adjustment Rod	Tige Reglage	Verstellungstange	(General Transmission)
15	35064005/0	1	Cinghia Spzx 750	Belt Spzx 750	Courroie Spzx 750	Riemen Spzx 750	484
15	35064010/0	1	Cinghia Spzx 812	Belt Spzx 812	Courroie Spzx 812	Riemen Spzx 812	534
16	22753000/0	2	Spina	Pin	Goupille	Stift	
17	22675113/0	2	Rosetta	Washer	Rondelle	Scheibe	
20	12154510/0	1	Dado	Nut	Ecrou	Mutter	
25	12791011/0	1	Vite	Screw	Vis	Schraube	
26	22806625/0	1	Supporto	Support	Support	Halter	

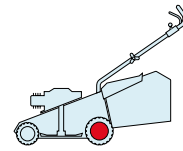
POS.	CODE	Q.TY	DESCRIZIONE	DESCRIPTION	DESCRIPTION	BESCHREIBUNG	REMARKS
27	12292102/0	1	Dado	Nut	Ecrou	Mutter	
28	12689500/0	1	Vite	Screw	Vis	Schraube	
29	12523050/0	1	Rosetta	Washer	Rondelle	Scheibe	
30	22601915/0	1	Puleggia	Pulley	Poulie	Riemenscheibe	
31	22806623/0	1	Supporto	Support	Support	Halter	
32	22671656/0	1	Rosetta	Washer	Rondelle	Scheibe	
33	12154510/0	1	Dado	Nut	Ecrou	Mutter	
34	12674700/0	1	Vite	Screw	Vis	Schraube	
35	12523050/0	1	Rosetta	Washer	Rondelle	Scheibe	
36	22601914/0	1	Puleggia	Pulley	Poulie	Riemenscheibe	
37	12154510/0	1	Dado	Nut	Ecrou	Mutter	

<b>W</b>				<b>WL</b>					2009
<b>484</b>				<b>534</b>					<b>24_017</b>
TR	TR-E	TR-4S	TR-E-4S	WTR	WTR-E	WTR-4S	WTR-E-4S		1 / 1

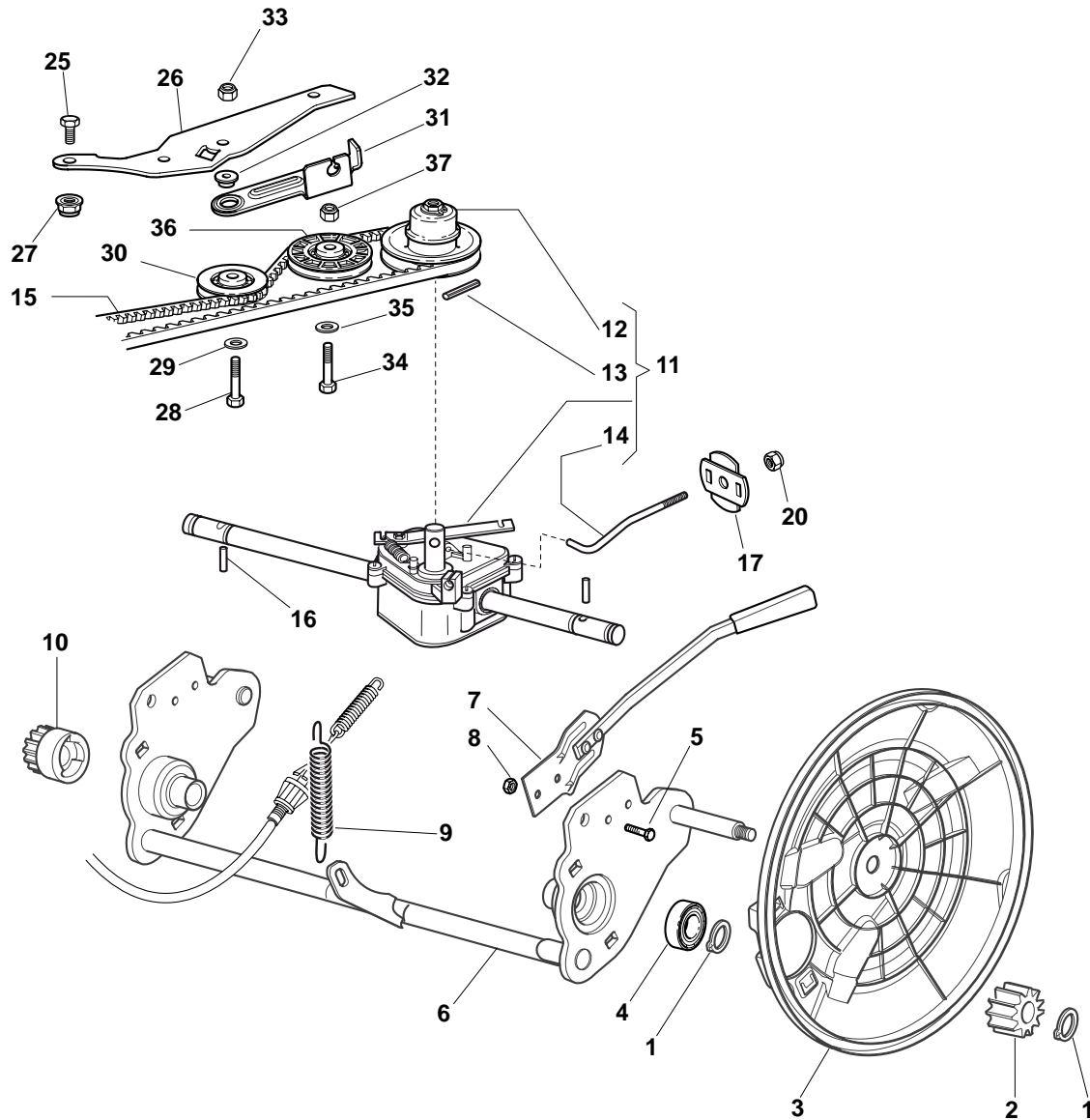


POS.	CODE	Q.TY	DESCRIZIONE	DESCRIPTION	DESCRIPTION	BESCHREIBUNG	REMARKS
1	22041957/1	1	Bussola	Bush	Douille	Buchse	
2	22450063/0	1	Molla	Spring	Ressort	Feder	
3	22680009/0	1	Rosetta	Washer	Rondelle	Scheibe	
4	12154510/0	1	Dado	Nut	Ecrou	Mutter	
5	22110230/0	1	Tappo	Cap	Bouchon	Gummistopfen	
11	12608600/0	4	Seeger	Seeger	Seeger	Seeger	
12	22570110/1	1	Pignone Dx	Pinion R	Pignon D	Ritzel Rechtes	
13	22600160/0	2	Prot. Ruote	Protection, Wheel	Protection Roue	Schütz	
14	19216035/0	2	Cuscinetto	Bearing	Coussinet	Lager	
15	12789000/0	2	Vite	Screw	Vis	Schraube	
16	381002853/2	1	Asse Ruote Posteriori	Axle, Rear Wheels	Axe Roues Arriere	Achse, Hinterrad	
17	381003326/0	1	Leva Regolazione Altezza	Lever, Height Adjustment	Levier Reglage Hauteur	Hebel, Höneverstellung	
18	12154330/0	2	Dado	Nut	Ecrou	Mutter	
19	122450454/0	1	Molla	Spring	Ressort	Feder	
21	22570120/1	1	Pignone Sx	Pinion L	Pignon G	Ritzel Linkes	
22	22753000/0	2	Spina	Pin	Goupille	Stift	
23	81003092/0	1	Gruppo Trazione	Gear Box	Groupe Traction	Antrieb	(General Transmission)
24	22601904/0	1	Puleggia	Pulley	Poulie	Riemenscheibe	
25	12645705/0	1	Spina	Pin	Goupille	Stift	
26	22033283/0	1	Asta Regolazione	Adjustment Rod	Tige Reglage	Verstellungstange	(General Transmission)
27	35063800/0	1	Cinghia Z 27	Belt Z 27	Courroie Z 27	Riemen Z 27	484
27	35063902/0	1	Cinghia Z 29.5	Belt Z 29.5	Courroie Z 29.5	Riemen Z 29.5	534

<b>W</b>				<b>WL</b>			
<b>484</b>				<b>534</b>			
TR	TR-E	TR 4S	TR-E 4S	WTR	WTR-E	WTR 4S	WTR-E 4S



2009
<b>24_018</b>
1 / 2

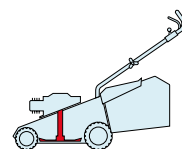


POS.	CODE	Q.TY	DESCRIZIONE	DESCRIPTION	DESCRIPTION	BESCHREIBUNG	REMARKS
1	12608600/0	4	Seeger	Seeger	Seeger	Seeger	
2	22570110/1	1	Pignone Dx	Pinion R	Pignon D	Ritzel Rechtes	
3	22600160/0	2	Prot. Ruote	Protection, Wheel	Protection Roue	Schütz	
4	19216035/0	2	Cuscinetto	Bearing	Coussinet	Lager	
5	12789000/0	2	Vite	Screw	Vis	Schraube	
6	381002853/2	1	Asse Ruote Posteriori	Axle, Rear Wheels	Axe Roues Arriere	Achse, Hinterrad	
7	381003326/0	1	Leva Regolazione Altezza	Lever, Height Adjustment	Levier Reglage Hauteur	Hebel, Höneverstellung	
8	12154330/0	2	Dado	Nut	Ecrou	Mutter	
9	122450454/0	1	Molla	Spring	Ressort	Feder	
10	22570120/1	1	Pignone Sx	Pinion L	Pignon G	Ritzel Linkes	
11	181003102/0	1	Gruppo Trazione	Gear Box	Groupe Traction	Antrieb	(General Transmission)
12	122601925/0	1	Puleggia	Pulley	Poulie	Riemenscheibe	
13	12645700/0	1	Spina	Pin	Goupille	Stift	
14	122033287/0	1	Asta Regolazione	Adjustment Rod	Tige Reglage	Verstellungstange	(General Transmission)
15	135064373/0	1	Cinghia Spzx 750	Belt Spzx 750	Courroie Spzx 750	Riemen Spzx 750	484

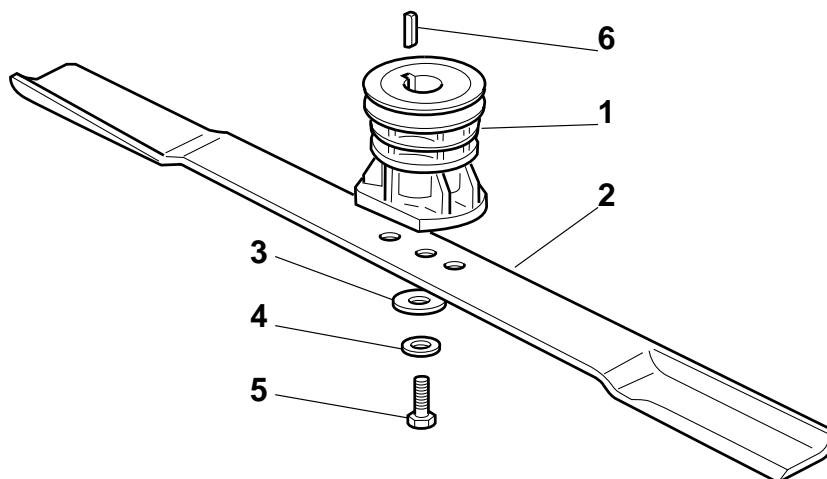


POS.	CODE	Q.TY	DESCRIZIONE	DESCRIPTION	DESCRIPTION	BESCHREIBUNG	REMARKS
15	135064379/0	1	Cinghia Spzx 812	Belt Spzx 812	Courroie Spzx 812	Riemen Spzx 812	534
16	22753000/0	2	Spina	Pin	Goupille	Stift	
17	22675113/0	2	Rosetta	Washer	Rondelle	Scheibe	
20	12154510/0	1	Dado	Nut	Ecrou	Mutter	
25	12791011/0	1	Vite	Screw	Vis	Schraube	
26	22806625/0	1	Supporto	Support	Support	Halter	
27	12292102/0	1	Dado	Nut	Ecrou	Mutter	
28	12689500/0	1	Vite	Screw	Vis	Schraube	
29	12523050/0	1	Rosetta	Washer	Rondelle	Scheibe	
30	22601915/0	1	Puleggia	Pulley	Poulie	Riemenscheibe	
31	22806623/0	1	Supporto	Support	Support	Halter	
32	22671656/0	1	Rosetta	Washer	Rondelle	Scheibe	
33	12154510/0	1	Dado	Nut	Ecrou	Mutter	
34	12674700/0	1	Vite	Screw	Vis	Schraube	
35	12523050/0	1	Rosetta	Washer	Rondelle	Scheibe	
36	22601914/0	1	Puleggia	Pulley	Poulie	Riemenscheibe	
37	12154510/0	1	Dado	Nut	Ecrou	Mutter	

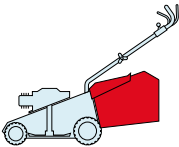
W				WL			
484				534			
TR	TR-E	TR 4S	TR-E 4S	WTR	WTR-E	WTR 4S	WTR-E 4S

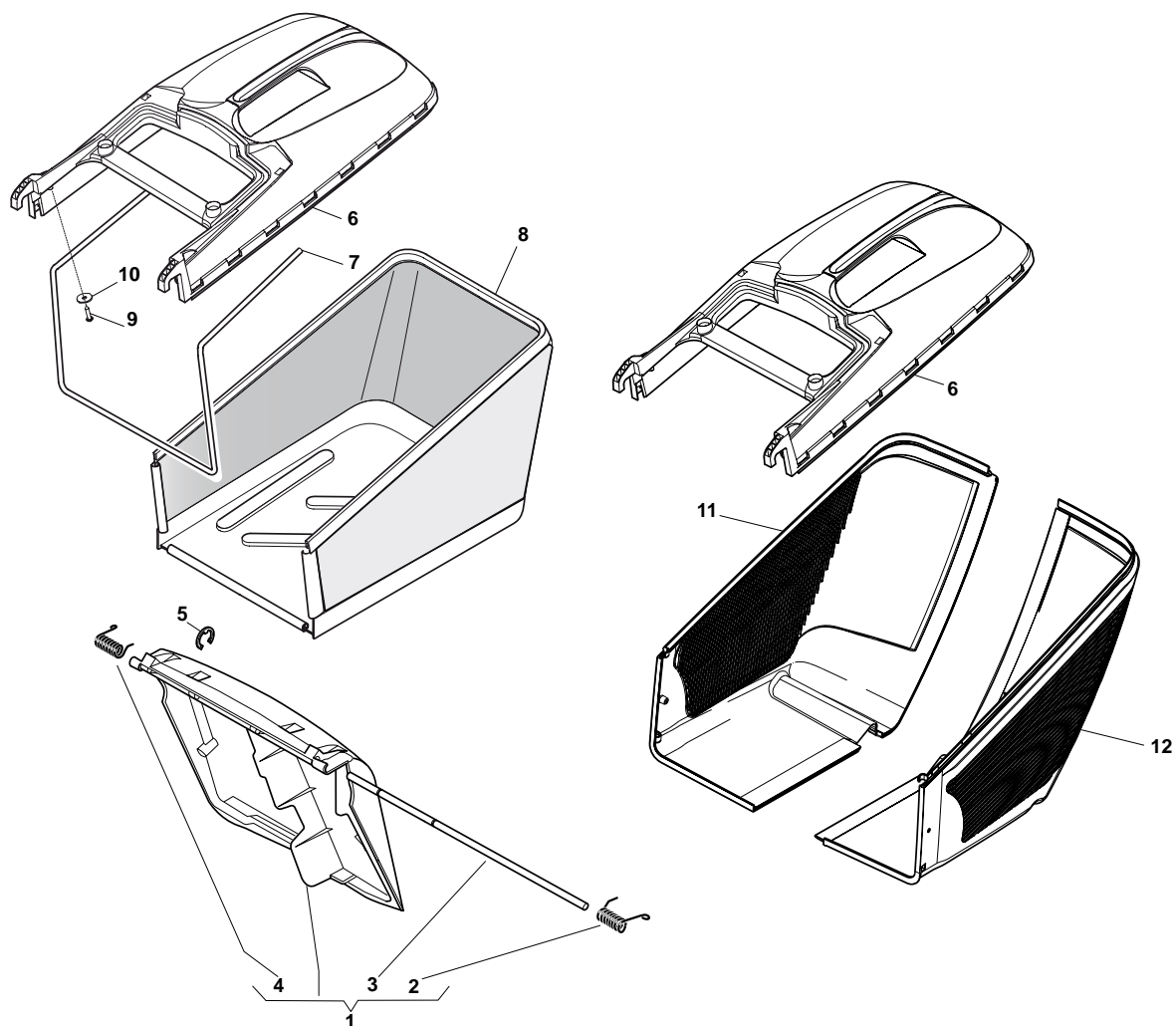


2009
<b>24_019</b>
1 / 1



POS.	CODE	Q.TY	DESCRIZIONE	DESCRIPTION	DESCRIPTION	BESCHREIBUNG	REMARKS
1	22465607/2	1	Mozzo Con Puleggia, Albero Motore Ø 22.2	Hub With Pulley, Crankshaft Ø 22.2	Moyeu Avec Poulie, Arbre Moteur Ø 22.2	Nabe Mit Scheibe, Motorwelle Ø 22.2	
1	122465608/1	1	Mozzo Con Puleggia, Albero Motore Ø 25	Hub With Pulley, Crankshaft Ø 25	Moyeu Avec Poulie, Arbre Moteur Ø 25	Nabe Mit Scheibe, Motorwelle Ø 25	
2	81004346/3	1	Coltello Standard	Blade Standard	Lame Standard	Messer Standard	484
2	81004397/0	1	Coltello Alettato	Blade Winged	Lame Ailette	Messer Flügel	484
2	81004381/1	1	Coltello Standard	Blade Standard	Lame Standard	Messer Standard	534
2	81004398/0	1	Coltello Alettato	Blade Winged	Lame Ailette	Messer Flügel	534
3	22160400/0	1	Disco Elastico	Elastic Washer	Rondelle Elastique	Elastischescheibe	
4	12523080/0	1	Rosetta	Washer	Rondelle	Scheibe	
5	12735698/0	1	Vite	Screw	Vis	Schraube	
6	12139100/0	1	Linguetta, Albero Motore Ø 22.2	Feather, Crankshaft Ø 22.2	Clavette, Arbre Moteur Ø 22.2	Keil, Motorwelle Ø 22.2	
6	12139150/0	1	Linguetta, Albero Motore Ø 25	Feather, Crankshaft Ø 25	Clavette, Arbre Moteur Ø 25	Keil, Motorwelle Ø 25	

<b>W</b>				<b>WL</b>					2009
<b>484</b>				<b>534</b>					<b>24_020</b>
TR	TR-E	TR 4S	TR-E 4S	WTR	WTR-E	WTR 4S	WTR-E4S		1 / 1



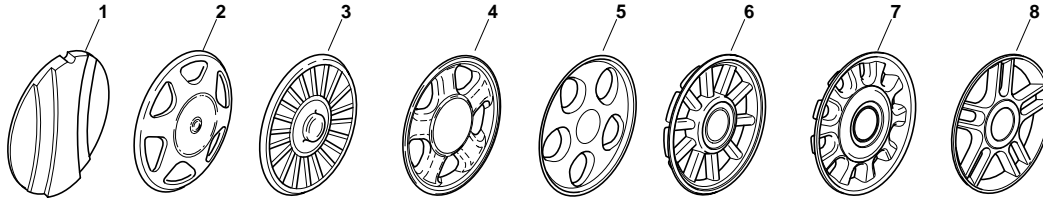
POS.	CODE	Q.TY	DESCRIZIONE	DESCRIPTION	DESCRIPTION	BESCHREIBUNG	REMARKS
1	381008021/1	1	Parasassi	Stone-Guard	Pare-Pierres	Prallblech	
2	22450420/1	1	Molla Sx	L Spring	Ressort G	Linke Feder	
3	22517906/1	1	Perno	Pin	Pivot	Bolzen	
4	22450410/1	1	Molla Dx	R Spring	Ressort D	Rechte Feder	
5	12000930/0	1	Anello Elastico	Snap Ring	Anneau Ressort	Sprengring	
6	22486101/0	1	Sacco, Parte Sup	Grass-Box, Upper	Sac, Partie	Korb, Oberteil	
7	22608525/0	1	Rinforzo Inf	Stiffening Lower	Réinforcement Inf	Verstärkung	
8	81002211/0	1	Sacco, Tela	Box, Fabric	Sac, Toile	Sack, Tuck	
9	12728680/0	2	Vite	Screw	Vis	Schraube	
10	12523050/0	2	Rosetta	Washer	Rondelle	Scheibe	
11	322486150/1	1	Sacco, Parte Inf Dx	Grass-Box, R Lower	Sac, Partie Inferieure D	Korb, R Unterteil	
12	322486151/1	1	Sacco, Parte Inf Sx	Grass-Box, L Lower	Sac, Partie Inferieure G	Korb, L Unterteil	

# ENCLOSURE 1

2009

001.0

1 / 1



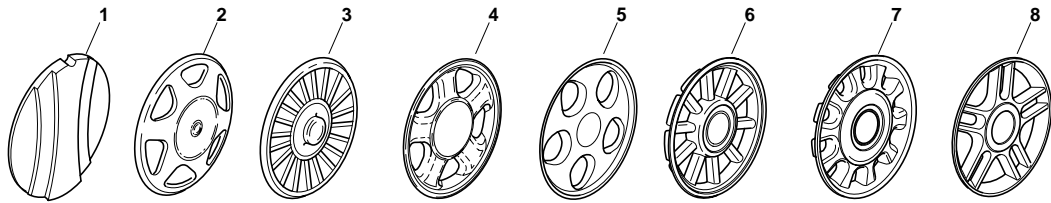
POS.	CODE	Q.TY	DESCRIZIONE	DESCRIPTION	DESCRIPTION	BESCHREIBUNG	REMARKS
1	22110252/1		Coprimozzo Bianco	Hub Cap White	Couvre-Moyeu	Radkappe Weiße	
1	22110254/1		Coprimozzo Giallo	Hub Cap Yellow	Couvre-Moyeu	Radkappe Gelbe	
1	22110255/1		Coprimozzo Rosso	Hub Cap Red	Couvre-Moyeu	Radkappe Rote	
2	22110344/0		Coprimozzo Bianco	Hub Cap White	Couvre-Moyeu	Radkappe Weiße	
2	22110395/0		Coprimozzo Grigio	Hub Cap Grey	Couvre-Moyeu Gris	Radkappe Grau	
3	22110347/0		Coprimozzo Grigio	Hub Cap Grey	Couvre-Moyeu Gris	Radkappe Grau	
4	22110381/0		Coprimozzo Grigio	Hub Cap Grey	Couvre-Moyeu Gris	Radkappe Grau	
5	22110416/0		Coprimozzo Grigio	Hub Cap Grey	Couvre-Moyeu Gris	Radkappe Grau	
6	22110495/0		Coprimozzo Grigio	Hub Cap Grey	Couvre-Moyeu Gris	Radkappe Grau	
7	22110493/0		Coprimozzo Grigio	Hub Cap Grey	Couvre-Moyeu Gris	Radkappe Grau	
8	22110491/0		Coprimozzo Grigio	Hub Cap Grey	Couvre-Moyeu Gris	Radkappe Grau	

# ENCLOSURE 2

2009

002.0

1 / 1



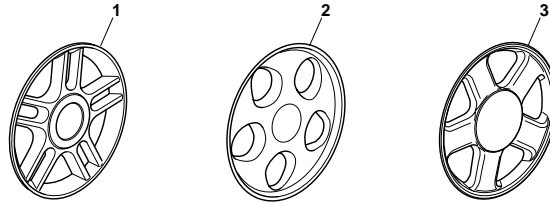
POS.	CODE	Q.TY	DESCRIZIONE	DESCRIPTION	DESCRIPTION	BESCHREIBUNG	REMARKS
1	22110251/0		Coprismozzo Bianco	Hub Cap White	Couvre-Moyeu	Radkappe Weiße	
1	22110253/0		Coprismozzo Giallo	Hub Cap Yellow	Couvre-Moyeu	Radkappe Gelbe	
1	22110256/0		Coprismozzo Rosso	Hub Cap Red	Couvre-Moyeu	Radkappe Rote	
2	22110313/0		Coprismozzo Bianco	Hub Cap White	Couvre-Moyeu	Radkappe Weiße	
2	22110314/0		Coprismozzo Grigio	Hub Cap Grey	Couvre-Moyeu Gris	Radkappe Grau	
3	22110348/0		Coprismozzo Grigio	Hub Cap Grey	Couvre-Moyeu Gris	Radkappe Grau	
4	22110382/0		Coprismozzo Grigio	Hub Cap Grey	Couvre-Moyeu Gris	Radkappe Grau	
5	22110417/0		Coprismozzo Grigio	Hub Cap Grey	Couvre-Moyeu Gris	Radkappe Grau	
6	22110496/0		Coprismozzo Grigio	Hub Cap Grey	Couvre-Moyeu Gris	Radkappe Grau	
7	22110494/0		Coprismozzo Grigio	Hub Cap Grey	Couvre-Moyeu Gris	Radkappe Grau	
8	22110492/0		Coprismozzo Grigio	Hub Cap Grey	Couvre-Moyeu Gris	Radkappe Grau	

# ENCLOSURE 3

2009

003.0

1 / 1



POS.	CODE	Q.TY	DESCRIZIONE	DESCRIPTION	DESCRIPTION	BESCHREIBUNG	REMARKS
1	322110560/0		Coprimezzo Grigio	Hub Cap Grey	Couvre-Moyeu Gris	Radkappe Grau	
2	322110590/0		Coprimezzo Grigio	Hub Cap Grey	Couvre-Moyeu Gris	Radkappe Grau	
3	22110511/0		Coprimezzo Grigio	Hub Cap Grey	Couvre-Moyeu Gris	Radkappe Grau	