



*Green Passion*

# Illustrated Parts List

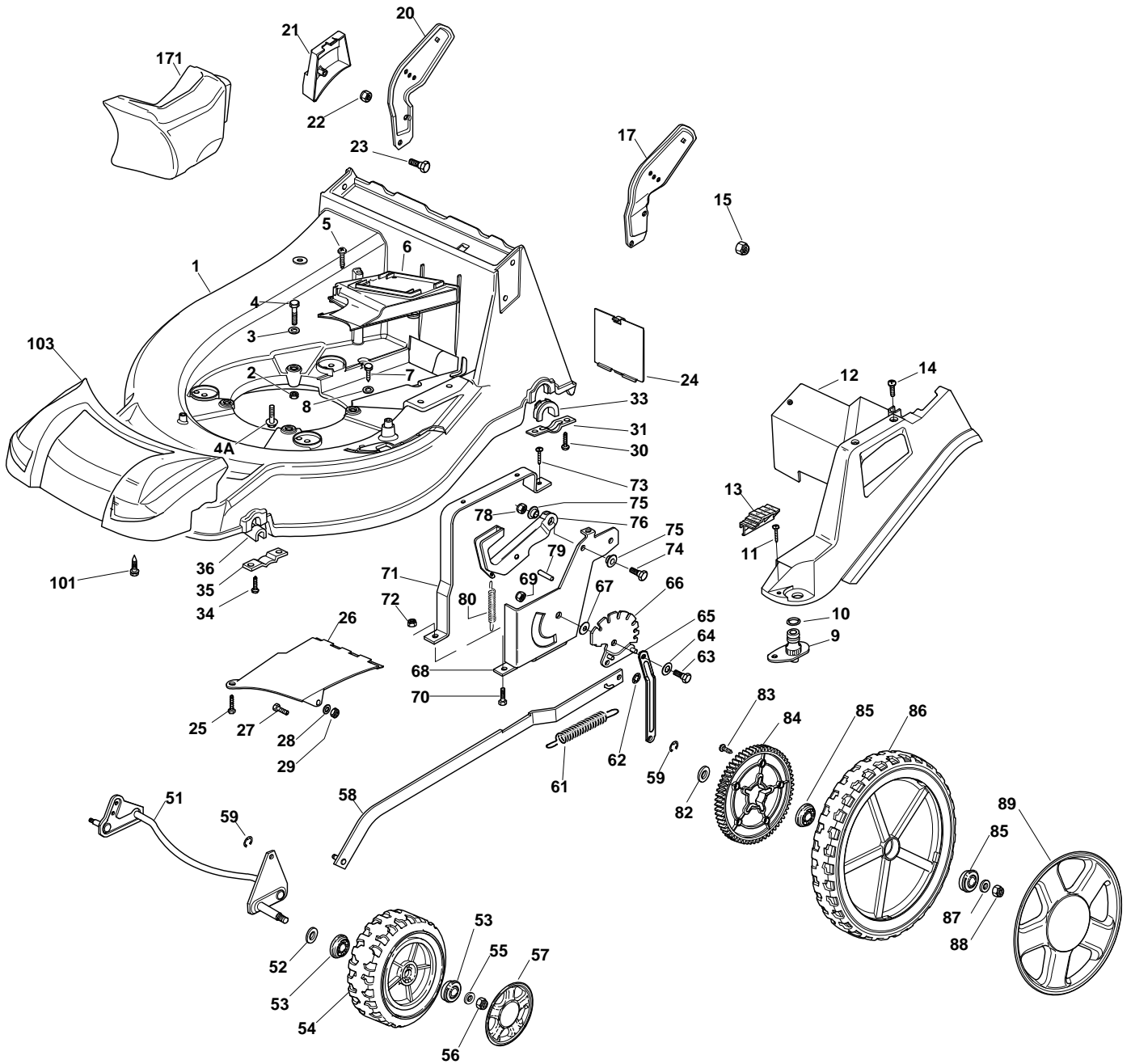
**XAPW 55 MHS BBC - Model Year  
2009**

- Use GLOBAL GARDEN PRODUCT Genuine Spare Parts specified in the parts list for repair and/or replacement.
- The contents described in the parts list may change due to improvement.
- The drawings of the spare parts are only indicative and might not represent the part in question exactly.
- The indications "right" - "left" - "front" - "rear" refer to the position of the operator when using the machine.
- When placing orders of parts for repair and/or replacement, make sure that the illustrated parts list is the one applying to the machine's year of manufacture, as shown on the identification plate attached to the machine.

COPYRIGHT by GLOBAL GARDEN PRODUCTS

All rights reserved. No part of this material may be reproduced or transmitted, in any form or by any means, electronic or mechanical, including photocopying, recording or by any information storage and retrieval system, without permission in writing from GLOBAL GARDEN PRODUCTS.

# Chassis





XAPW 55 MHS BBC - Model Year 2009

**Chassis**

Pos.	Part no.	Q.ty	Description	Remarks
1	381003543/1	1	Deck Red	
2	12155000/0	3	Nut	
3	12521350/0	3	Washer	
4A	112735108/1	3	Screw	(Honda)
4A	112735108/1	3	Screw	
4	12691800/0	2	Screw	(B&S)
4	12691800/0	2	Screw	
4	12691900/0	3	Screw	(Ggp)
4	12691900/0	3	Screw	
4	12692080/0	1	Screw	(B&S)
4	12692080/0	1	Screw	
5	12728522/0	2	Screw	
6	22060200/1	1	Protection, Belt	
7	12729600/0	1	Screw	
8	12523040/0	2	Washer	
9	22034000/0	1	Washing Connection	
10	19035000/0	1	Or Ring	
11	12728519/0	3	Screw	
12	322060144/3	1	Deck, Adjustment	
13	22570200/0	1	Plate, Cutting Positions	
14	12728520/0	1	Screw	
15	12155000/0	2	Nut	
17	22778397/1	1	Bracket, L	
20	22778396/1	1	Bracket, R	
21	22601001/0	1	Protection	
22	12155000/0	2	Nut	
23	12793301/0	2	Screw	
24	22595352/0	1	Inspection Door	
25	12729600/0	1	Screw	
26	22108205/0	1	Conveyor	
27	12789000/0	1	Screw	
28	12523020/0	1	Washer	
29	12154330/0	1	Nut	
30	12731350/0	4	Screw	
31	322545177/0	2	Plate	
33	22038407/0	2	Brass	
34	12731350/0	4	Screw	
35	22545156/0	2	Plate	
36	22038400/1	2	Brass	
51	381002865/0	1	Axle, Front Wheels	
52	12530150/0	2	Washer	
53	22122200/0	4	Bearing	
54	381007389/0	2	Wheel R 210	
55	12521350/0	2	Washer	
56	12155000/0	2	Nut	
57	22110382/0	2	Hub Cap	
58	381002023/0	1	Rod, Height Adjustment	
59	12000930/0	2	Snap Ring	
61	122446187/0	1	Spring	
62	12604899/0	2	Crown Fastener	
63	22529662/0	1	Fulcrum Pin	
64	22672151/0	1	Washer	
65	322033299/0	1	Rod, Rear Wheels Axle	
66	381000499/0	1	Sector, Height Adjustment	
67	22672152/0	1	Washer	
68	22785109/0	1	Support, Height Adjustment	
69	12293201/0	1	Nut	
70	12793301/0	2	Screw	
71	22785113/0	1	Support, Handle	
72	12293201/0	2	Nut	
73	12729600/0	1	Screw	
74	12793301/0	1	Screw	
75	25038002/1	2	Bush	

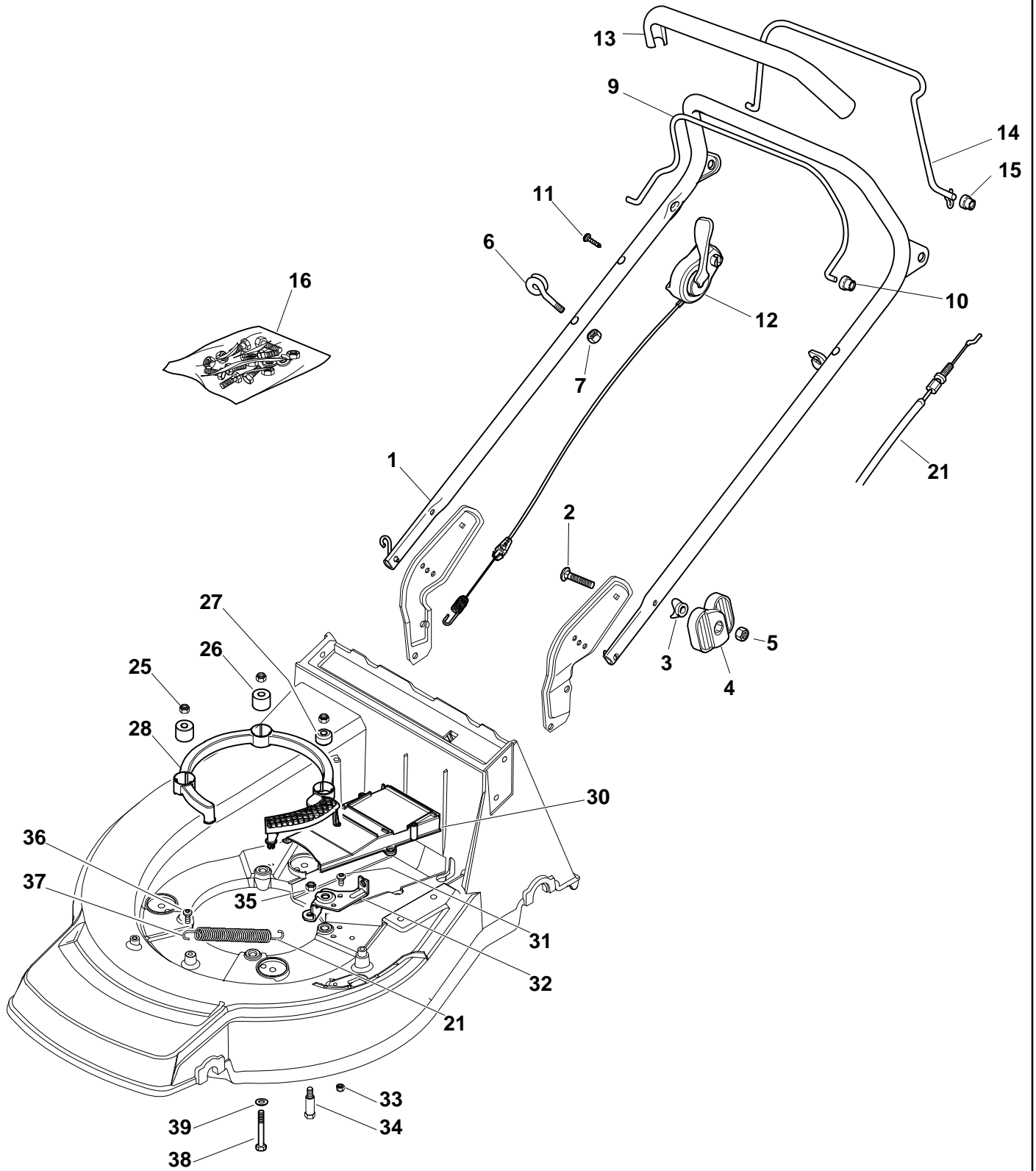


XAPW 55 MHS BBC - Model Year 2009

### Chassis

Pos.	Part no.	Q.ty	Description	Remarks
76	322393611/2	1	Handle	
78	12293201/0	1	Nut	
79	12622640/0	1	Pin	
80	22446175/0	1	Spring	
82	22675100/0	2	Washer	
83	12728691/0	6	Screw	
84	22120110/0	2	Sprocket	
85	22122200/0	4	Bearing	
86	381007391/0	2	Wheel R 300	
87	12521350/0	4	Washer	
88	12155000/0	2	Nut	
89	22110511/0	2	Hub Cap	
101	112735420/0	4	Screw	
103	322226112/1	1	Mask, Grey	
171	22140224/0	1	Cap	

### Handle, Upper Part



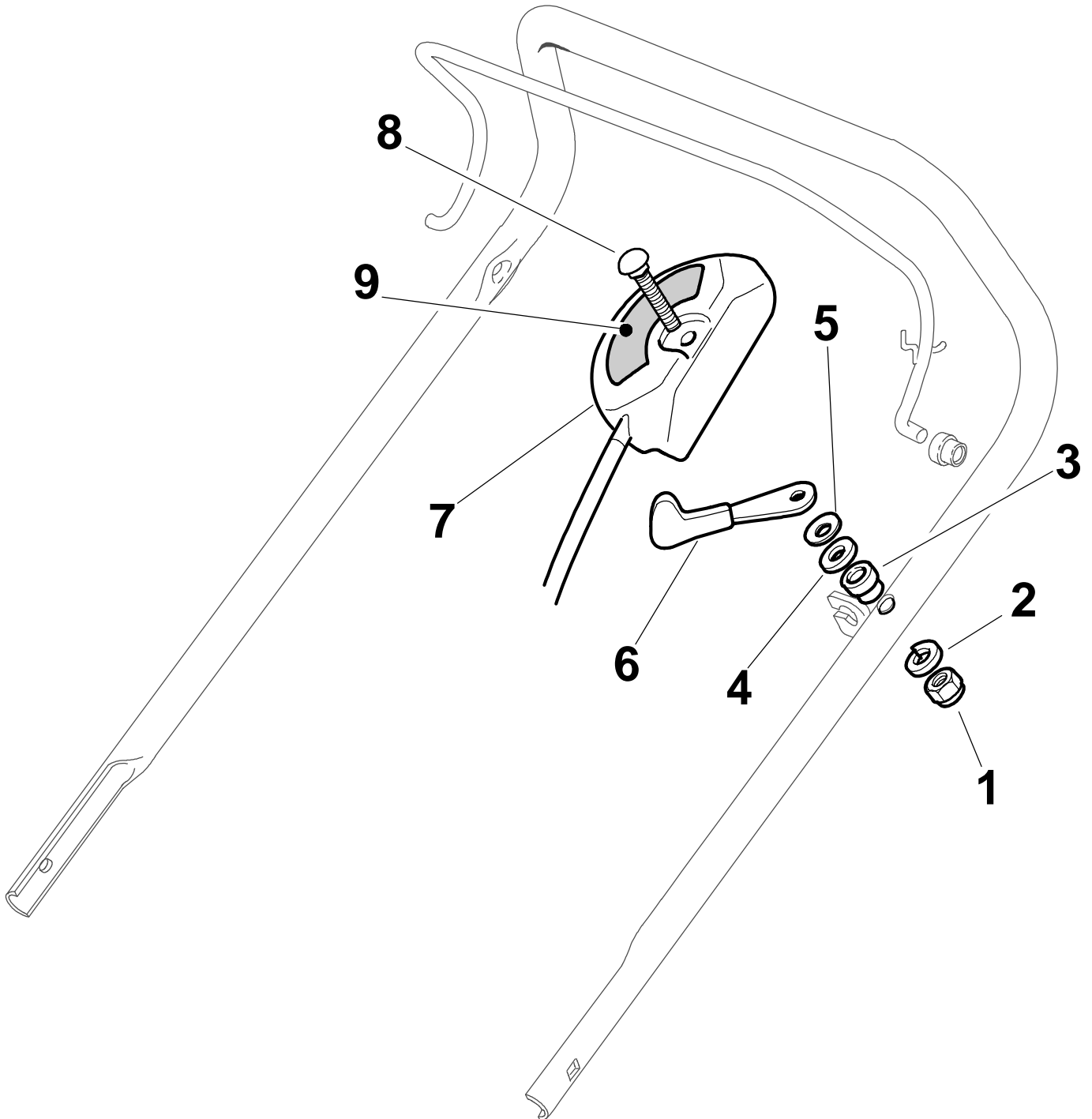


XAPW 55 MHS BBC - Model Year 2009

**Handle, Upper Part**

Pos.	Part no.	Q.ty	Description	Remarks
1	381006875/0	1	Handle, Upper Part	
2	12819120/0	2	SCREW	
3	22680006/1	2	Washer	
4	22399803/0	2	Knob	
5	12293200/0	2	Nut	
6	22430309/0	1	Guide Spring	
7	12154330/0	1	Nut	
8	181030006/0	1	Cable, Thread Engine Brake	(B&S 700 Series)
8	181030006/0	1	Cable, Thread Engine Brake	
8	81000616/1	1	Cable, Thread Engine Brake	
8	81000616/1	1	Cable, Thread Engine Brake	(Honda)
8	81000616/1	1	Cable, Thread Engine Brake	(Ggp 160cc)
8	81000616/1	1	Cable, Thread Engine Brake	(Ggp 200cc)
8	81000634/0	1	Cable, Thread Engine Brake	534 Tr/E (B&S 675 Series Es)
8	81000634/0	1	Cable, Thread Engine Brake	
8	81000757/0	1	Cable, Thread Engine Brake	(B&S 675 Series)
8	81000757/0	1	Cable, Thread Engine Brake	
9	181003332/0	1	Lever, Engine Brake	
10	22041966/0	2	Bush	
11	12727784/0	1	Screw	
12	381030033/0	1	Cable, Mechanical Clutch	
13	22291050/0	1	Handgrip Black	
14	81003288/1	1	Lever, Driving	
15	22041965/1	2	Bush	
16	81008610/0	1	Outfit, Screws	
21	81000669/0	1	Cable, Rear Drive	(General Transmission)
21	81000669/0	1	Cable, Rear Drive	
21	81000673/0	1	Cable, Rear Drive	(Bi Ci Di)
21	81000673/0	1	Cable, Rear Drive	
25	12154210/0	3	Nut	
26	22170835/0	2	Spacer	
27	122170836/0	1	Spacer	(B&S 450-500 Series - Ggp 150 cc)
27	122170836/0	1	Spacer	
28	322170961/0	1	Protection	
30	322060228/0	1	Protection, Belt	
31	12735664/0	2	Screw	
32	322551665/0	1	Plate For Cable Fastening	
33	12154510/0	2	Nut	
34	125580018/0	1	Pin	
35	12155000/0	1	Nut	
36	12735664/0	1	Screw	
37	122446188/0	1	Spring	
38	12692050/0	3	Screw	(B&S)
38	12692050/0	3	Screw	
38	12692080/0	3	Screw	(Honda)
38	12692080/0	3	Screw	
39	12521350/0	3	Washer	

### Controls





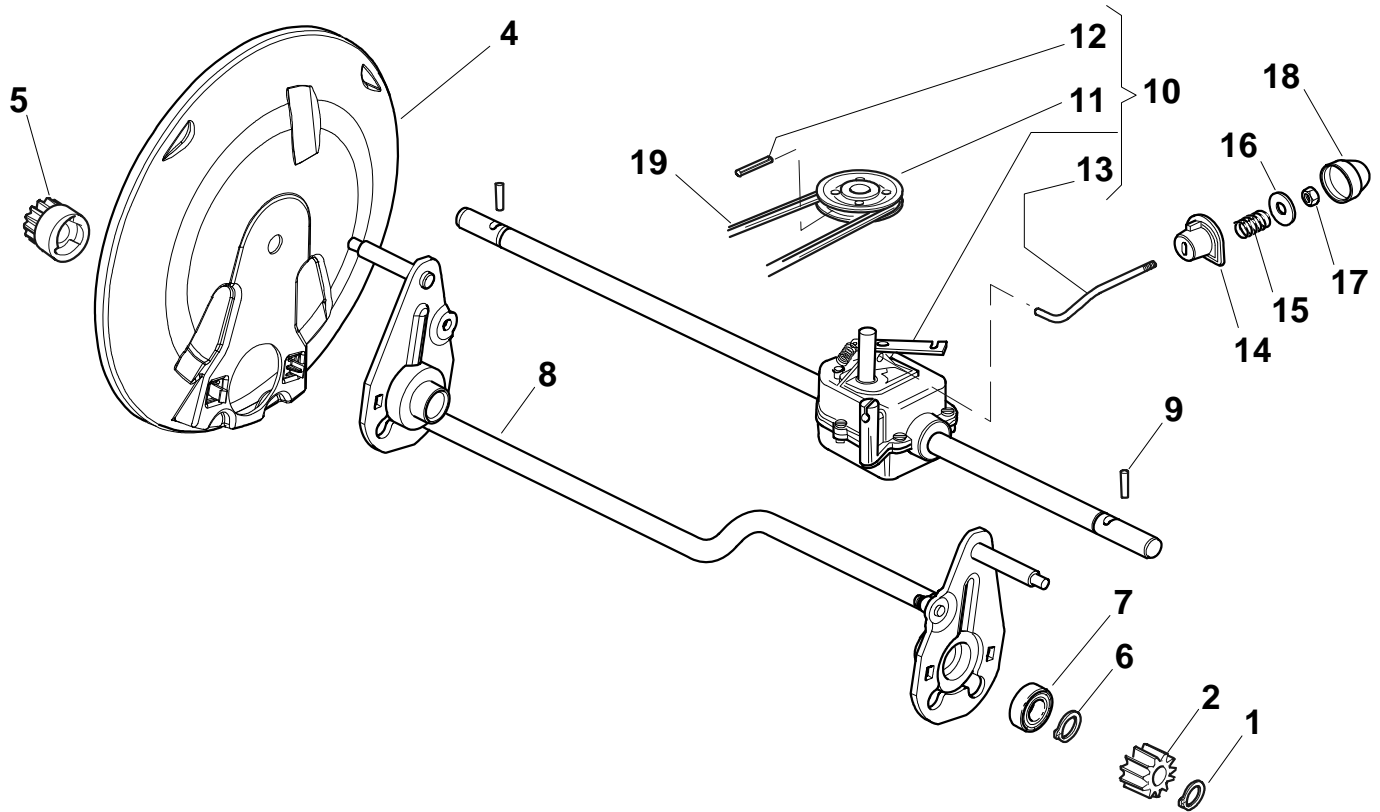
XAPW 55 MHS BBC - Model Year 2009

**Controls**

Pos.	Part no.	Q.ty	Description	Remarks
1	12291000/0	1	Nut	
2	12581500/0	1	Grower	
3	22171005/0	1	Spacer	
4	12521360/0	1	Washer	
5	12508100/0	1	Spring Washer	
6	81007220/0	1	Lever, Throttle	(B&S 450-500 Series - Ggp 150 cc)
6	81007220/0	1	Lever, Throttle	
6	81007279/1	1	Lever, Throttle	
6	81007279/1	1	Lever, Throttle	(B&S 625-675-700 Series - Honda - Ggp 140-160-196 cc)
7	81007080/0	1	Throttle Cable	
8	12815000/0	1	Screw	
9	114356905/0	1	Label	(Honda GCV 160-190 Autochoke)
9	114356905/0	1	Label	(B&S 700 series DOV)
9	114356905/0	1	Label	
9	114364264/0	1	Label	
9	114364264/0	1	Label	AVS (GGP 160-196)
9	14356702/0	1	Label	(Honda)
9	14356702/0	1	Label	
9	14356702/0	1	Label	(GGP)
9	14356703/0	1	Label	(B&S)
9	14356703/0	1	Label	

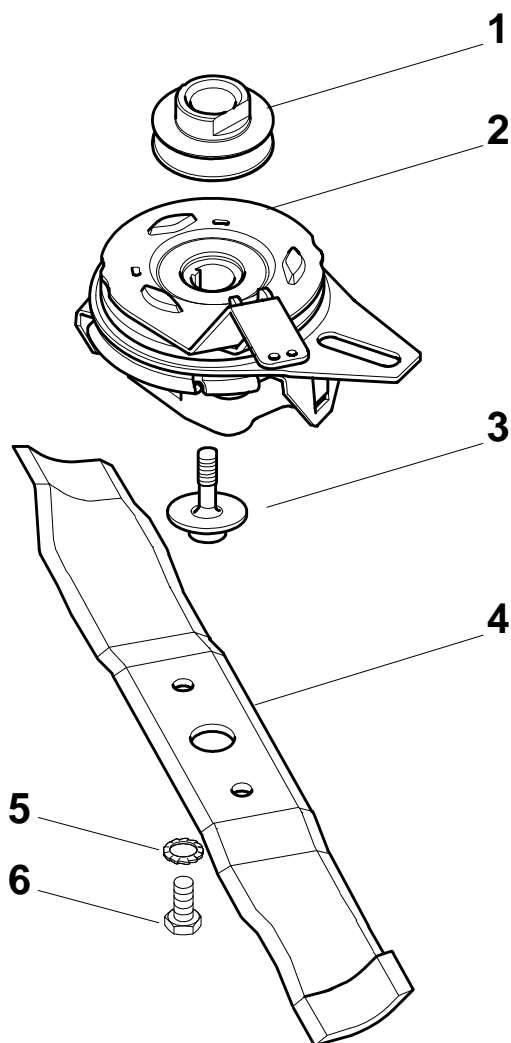


**Rear Drive**



Pos.	Part no.	Q.ty	Description	Remarks
1	12608600/0	2	Seeger	
2	22570120/1	1	Pinion L	
4	22600091/1	2	Protection, Wheel	
5	22570110/1	1	Pinion R	
6	12608600/0	2	Seeger	
7	19216035/0	2	Bearing	
8	381002863/0	1	Axle, Rear Wheels	
9	22753000/0	2	Pin	
10	81003079/0	1	Gear Box	(General Transmission)
10	81003079/0	1	Gear Box	
11	22601909/0	1	Pulley	
12	12645705/0	1	Pin	
13	22033281/0	1	Adjustment Rod	
14	22041957/1	1	Bush	
15	22450063/0	1	Spring	
16	22680009/0	1	Washer	
17	12154510/0	1	Nut	
18	22110230/0	1	Cap	
19	35064195/0	1	Belt Z 33	

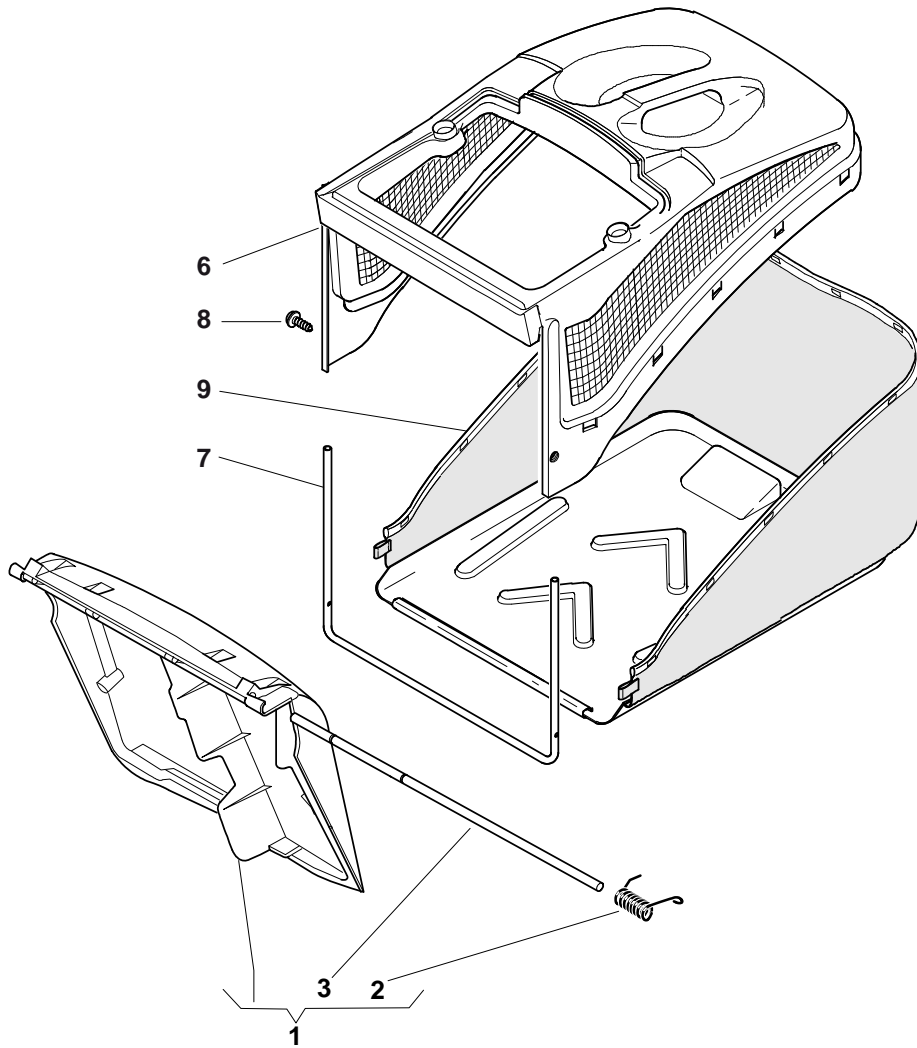
**Blade**



Pos.	Part no.	Q.ty	Description	Remarks
------	----------	------	-------------	---------

1	122601923/0	1	Pulley, Crankshaft R 25	
2	118399051/0	1	Mechanical Clutch	
3	12735460/0	1	Screw	
4	181004382/0	1	Blade Standard	
5	12523070/0	2	Washer	
6	127941110/0	2	Screw	

### Grass-Catcher



Pos.	Part no.	Q.ty	Description	Remarks
1	381008050/0	1	Stone-Guard	
2	22451000/0	1	Spring	
3	22517857/0	1	Pin	
6	22486094/0	1	Grass-Box, Upper	
7	22608524/0	1	Stiffening Lower	
8	12728445/0	2	Screw	
9	81002196/0	1	Box, Fabric	