



*Green Passion*

# Illustrated Parts List

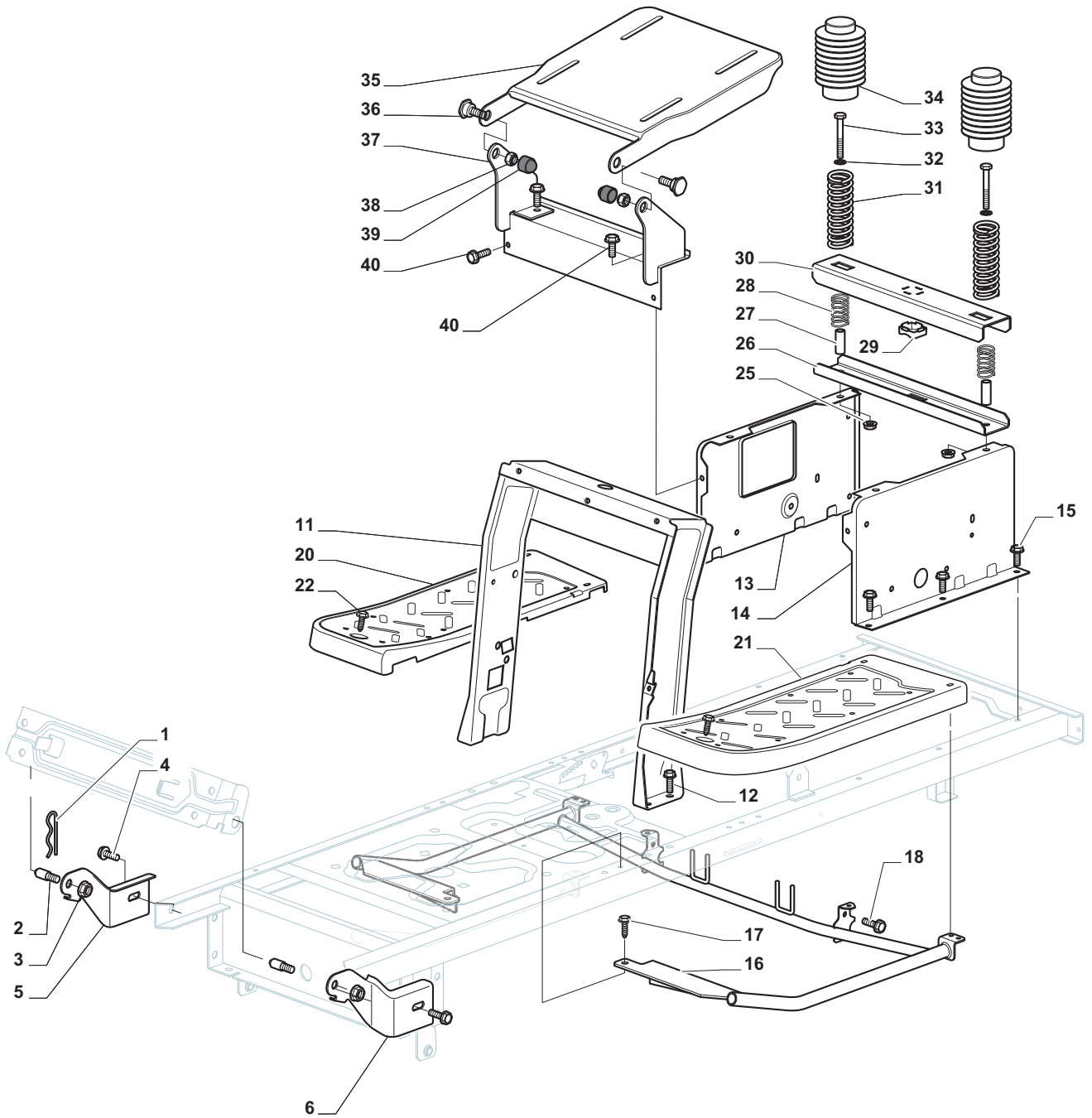
**XD 140 HD**  
**XD 150 HD C**

- Use GLOBAL GARDEN PRODUCT Genuine Spare Parts specified in the parts list for repair and/or replacement.
- The contents described in the parts list may change due to improvement.
- The drawings of the spare parts are only indicative and might not represent the part in question exactly.
- The indications "right" - "left" - "front" - "rear" refer to the position of the operator when using the machine.
- When placing orders of parts for repair and/or replacement, make sure that the illustrated parts list is the one applying to the machine's year of manufacture, as shown on the identification plate attached to the machine.

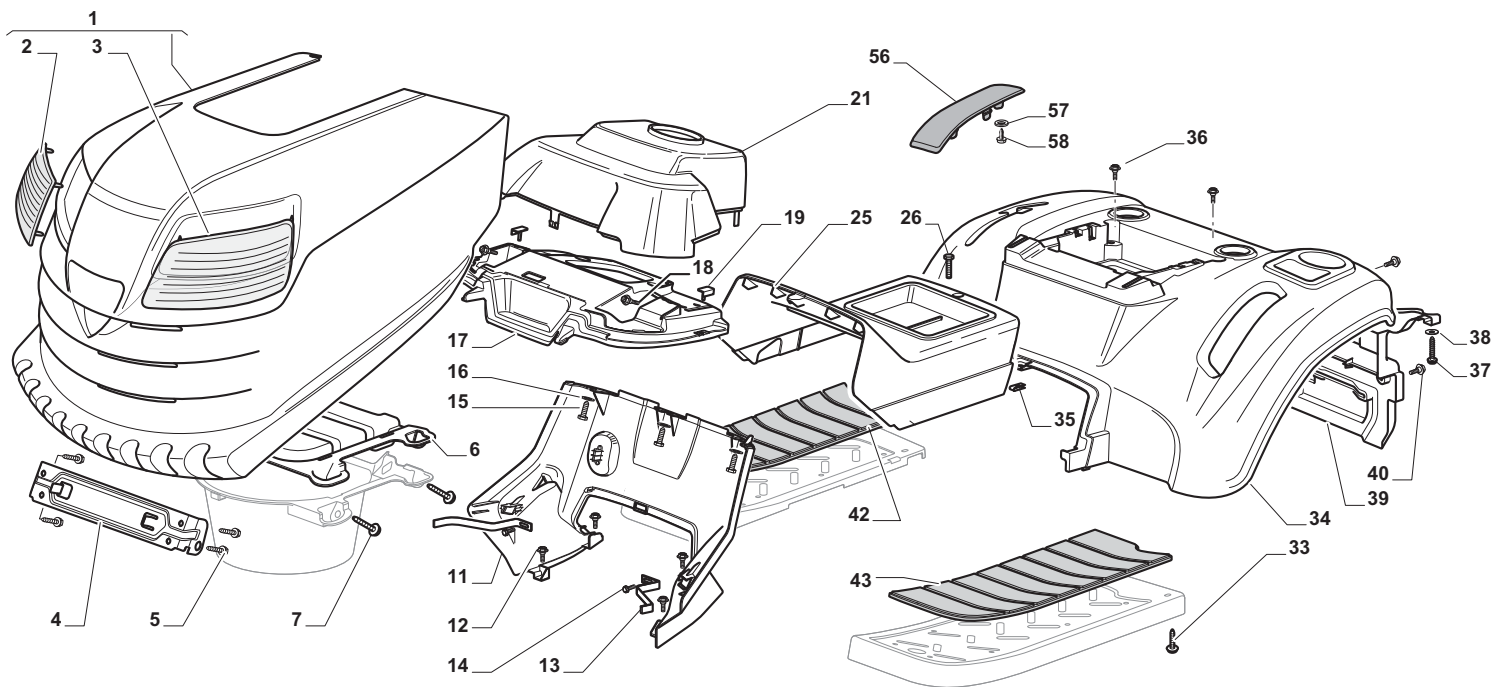
© Copyright 2012 Global Garden Products

All content is subject to copyright by Global Garden Products and may not be reproduced in whole or in part by any means, electronic or otherwise, without prior written approval.

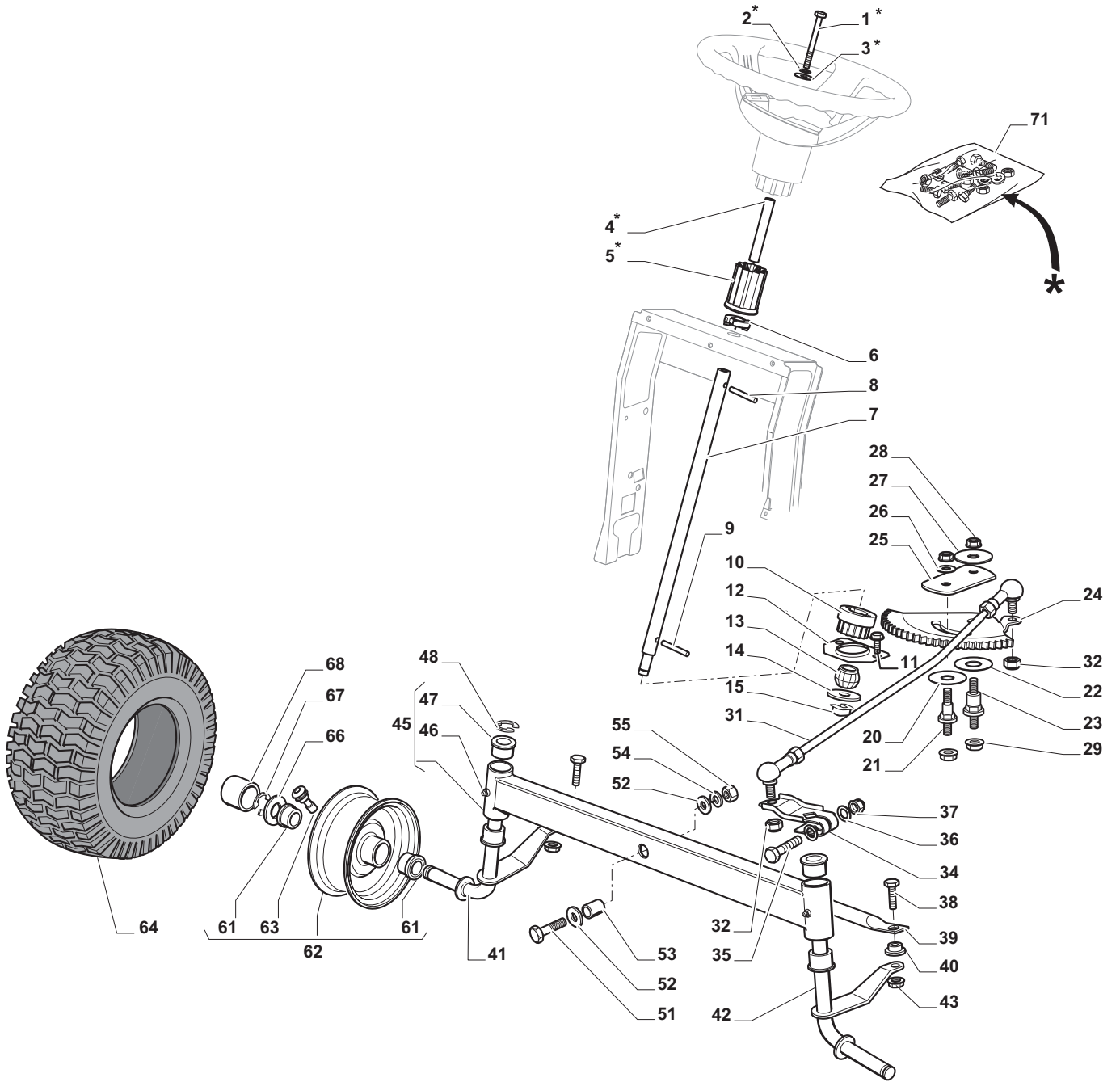
THIS INFORMATION IS NOT INTENDED FOR SALE OR RESALE, AND THIS NOTICE MUST REMAIN ON ALL COPIES.



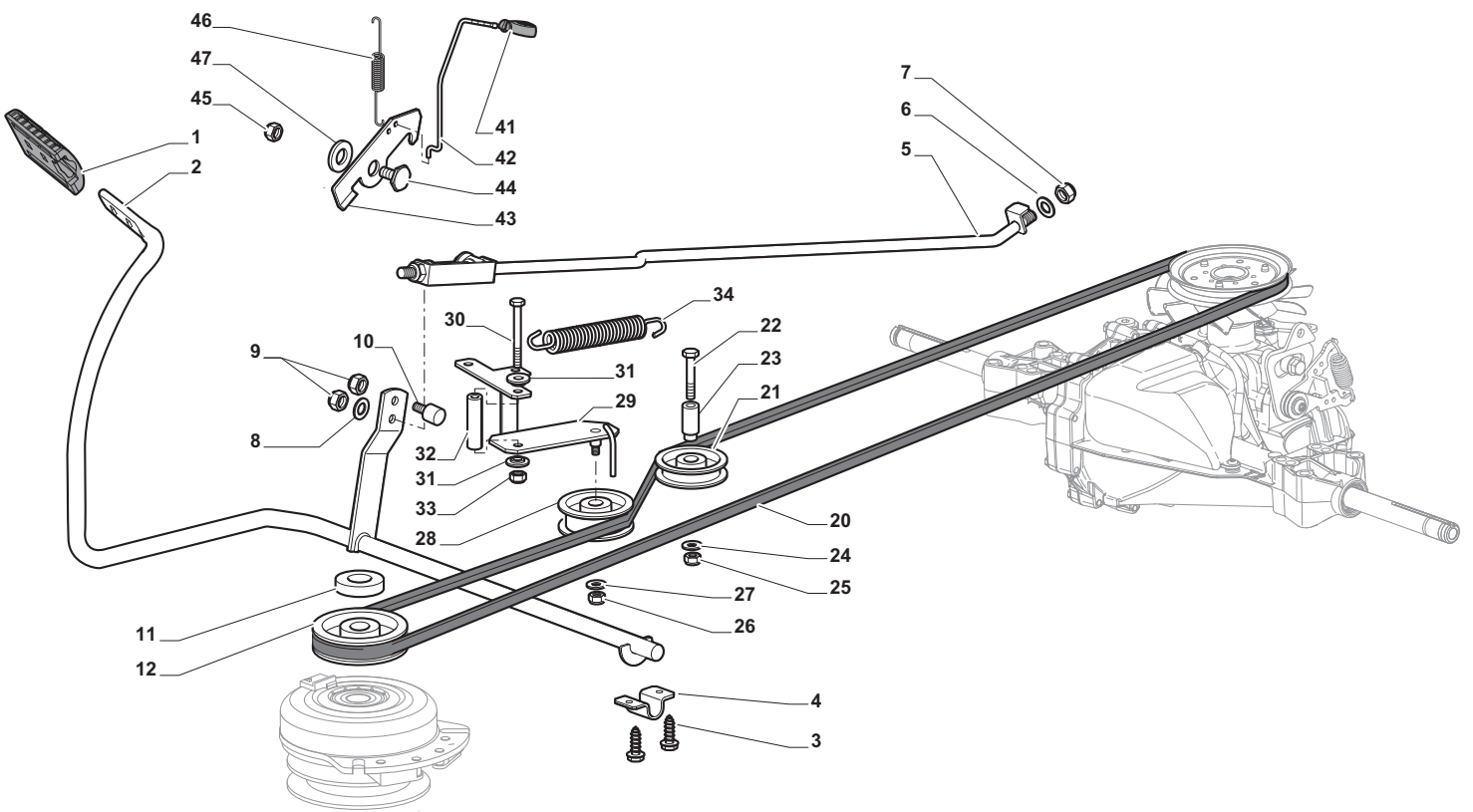
Chassis			
1	24487998/0	1	Cotter Pin
2	25510079/0	2	Pin
3	12154210/0	2	Nut
4	12735599/0	2	Screw
5	325547225/0	1	Right Plate
6	325547227/0	1	Left Plate
11	382785169/1	1	Steering Column Support
12	125943009/0	4	Screw
13	325785331/1	1	Right Seat Support
14	325785333/1	1	Left Seat Support
15	125943009/0	6	Screw
16	382785179/0	1	Footboard Support
17	125943009/0	2	Screw
18	125943009/0	2	Screw
20	325500041/1	1	Right Footboard
21	325500043/1	1	Left Footboard
22	12735599/0	2	Screw
25	12293201/0	2	Nut
26	325820109/1	1	Seat Support
27	125160048/0	2	Spacer
28	125430263/0	2	Spring
29	325060038/0	1	Cam
30	325820105/1	1	Support
31	125430264/0	2	Spring
32	12521350/0	2	Washer
33	12691400/0	2	Screw
34	325122002/0	2	Hood
35	382547061/0	1	Plate
36	22524970/2	2	Pin
37	382820151/0	1	Seat Support
38	12155010/0	2	Nut
39	118203854/0	2	Protection
40	125943009/0	4	Screw



Body			
1	382076954/0	1	Engine Hood Red
2	325410887/0	1	Right Grill
3	325410888/0	1	Left Grill
4	325785317/0	1	Engine Hood Support
5	12735403/0	4	Screw
6	325263302/1	1	Air Intake Grill
7	112728692/0	4	Screw
11	325785298/0	1	Dashboard Support
12	125943010/0	4	Screw
13	325270325/0	2	Guide
14	12735599/0	2	Screw
15	112735406/0	3	Screw
16	12523040/0	3	Washer
17	325120202/1	1	Dashboard
18	125943010/0	2	Screw
19	325260003/0	2	Grommet
21	325120203/0	1	Cover
25	325110383/1	1	Cover, Red
26	125943010/0	1	Screw
33	112735406/0	4	Screw
34	325110382/0	1	Wheels Cover, Red
35	112437506/0	1	Plate
36	125943010/0	2	Screw
37	112735406/0	2	Screw
38	12523040/0	2	Washer
39	325547208/1	1	Plate
40	125943010/0	2	Screw
42	325110384/0	1	Right Footboardcover
43	325110385/0	1	Left Footboard Cover
56	325207190/0	1	Cover
57	12523050/0	4	Washer
58	12735403/0	2	Screw



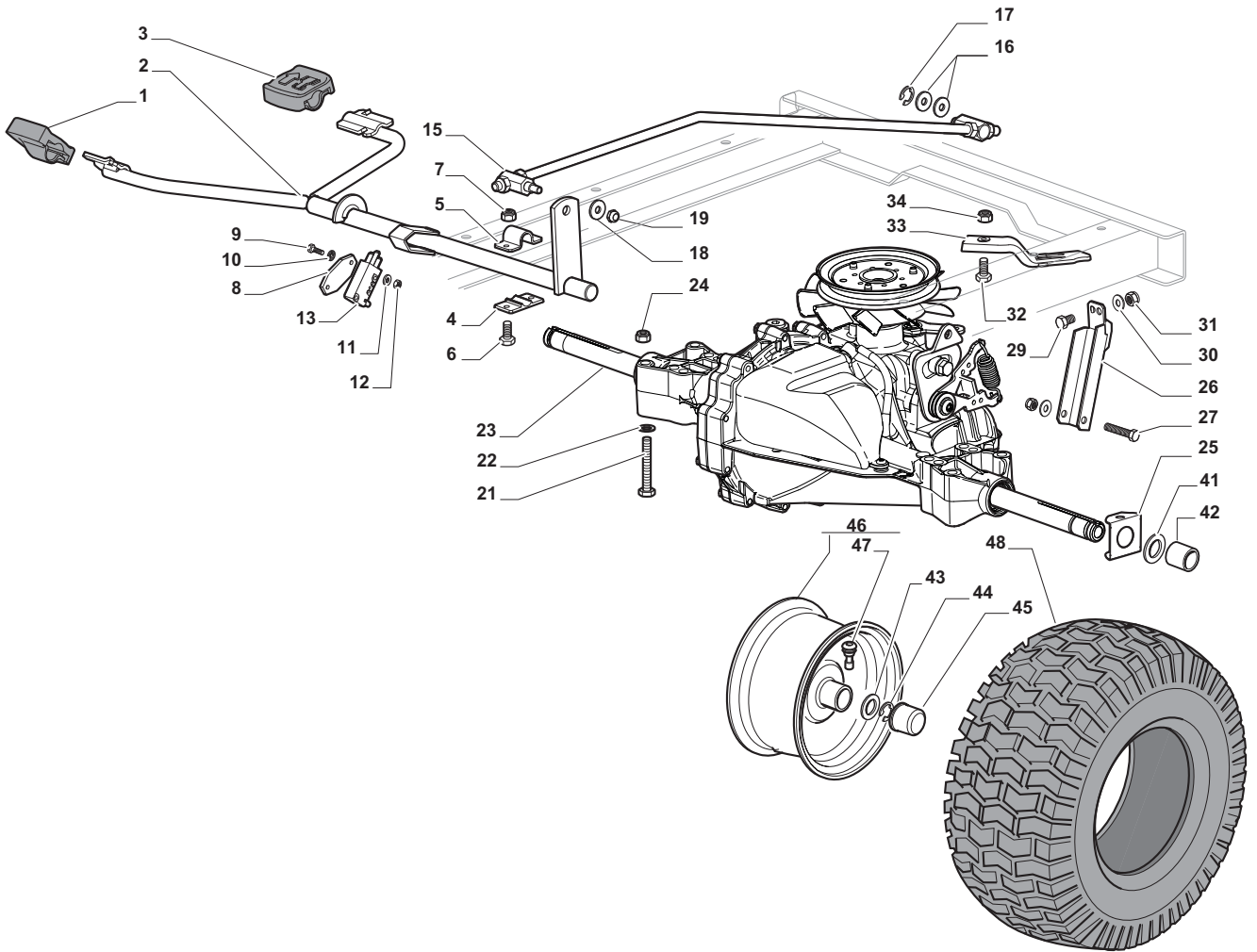
Steering			
1	12692050/0	1	Screw
2	12540260/0	1	Washer
3	12523070/0	1	Washer
4	125160047/0	1	Spacer
5	325785318/0	1	Support
6	325038008/0	1	Bush
7	125520007/0	1	Steering Column
8	112620300/0	1	Pin
9	12622650/0	1	Pin
10	125570003/0	1	Pinion
11	27943051/0	2	Screw
12	325785213/1	1	Support
13	25743000/0	1	Joint
14	12521370/0	1	Washer
15	12436030/0	1	Plate
20	22672151/0	1	Washer
21	125510104/0	1	Pin
22	125670023/0	1	Washer
23	125510109/0	1	Pin
24	325735519/0	1	Steering Shaft
25	325547233/0	1	Plate
26	12369500/0	1	Elastic Washer
27	22160400/0	1	Elastic Washer
28	12155010/0	2	Nut
29	12154210/0	2	Nut
31	382000566/1	1	Steering Rod
32	12156602/0	2	Nut
34	325318243/0	1	Lever
35	12692390/0	1	Screw
36	12521360/0	2	Washer
37	12156602/0	1	Nut
38	125510103/0	2	Pin
39	325840029/0	1	Tie Rod
40	325038007/0	2	Bush
41	382230369/0	1	Right Stub Axle 13 "
41	382230373/0	1	Right Stub Axle 15"
42	382230371/0	1	Left Stub Axle 13 "
42	382230375/0	1	Left Stub Axle 15"
43	12155000/0	2	Nut
45	382034030/0	1	Equalizer With Bush And Lubricator
46	12379511/0	2	Grease Dispenser
47	25034002/1	4	Bush
48	12001010/0	1	Snap Ring
51	12692695/0	1	Screw
52	12523100/0	2	Washer
53	25160016/0	1	Spacer
54	12587100/0	1	Grower
55	12295300/0	1	Nut
61	25122200/2	4	Bearing
62	182000598/0	2	Rimm
63	25950000/0	2	Valve
64	125590014/0	2	Tire 13 "
64	127590066/0	2	Tire 15"
66	25670005/1	2	Washer
67	12001010/0	2	Snap Ring
68	322110233/0	2	Hub Cover
70	382180124/0	1	Screws Outfit



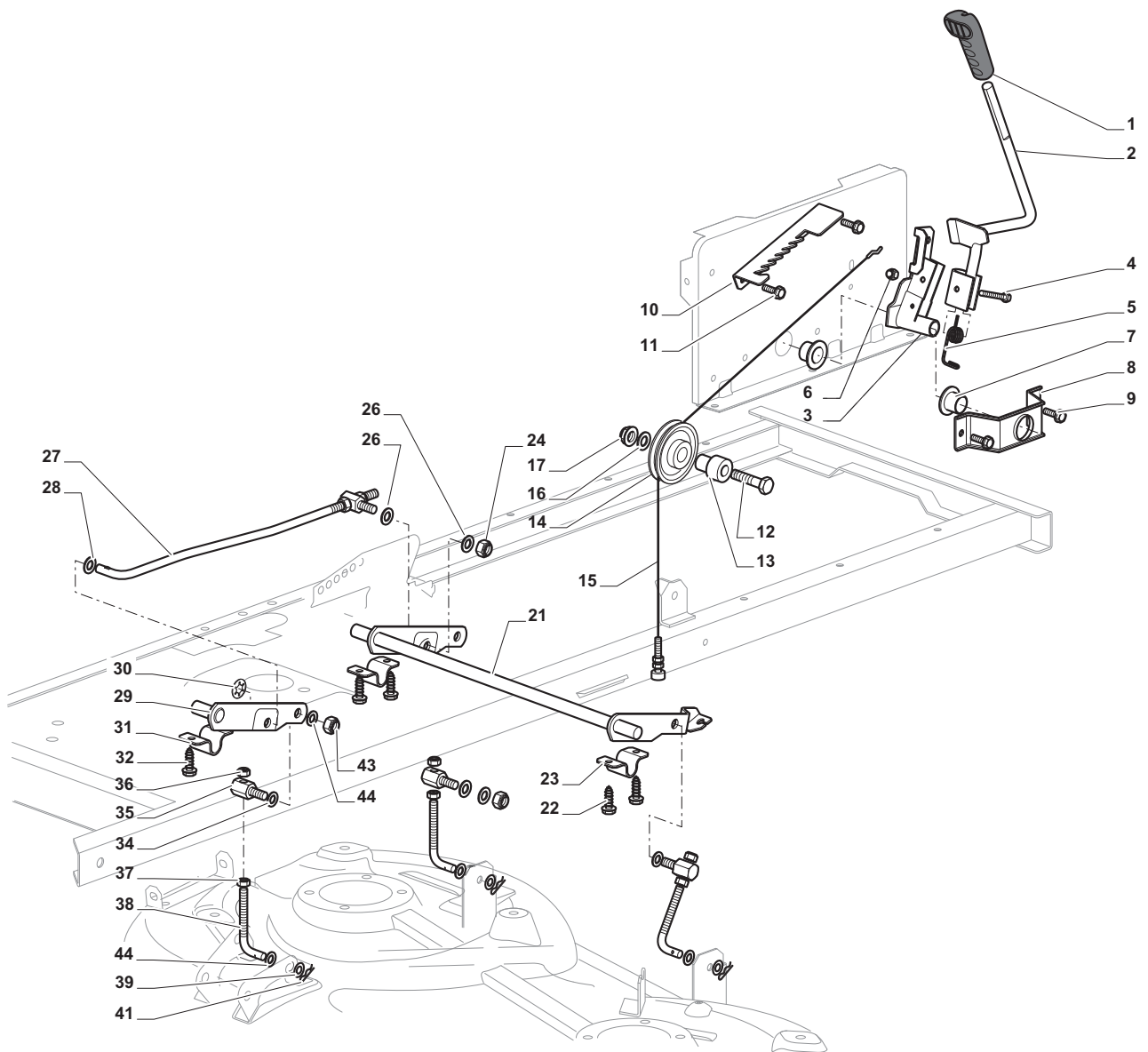


**Brake And Gearbox Controls**

1	325110409/0	1	Clamp Cover
2	382000641/0	1	Pedal
3	12735599/0	4	Screw
4	325547231/0	2	Plate
5	382000576/0	1	Rod
6	12521360/0	1	Washer
7	12156602/0	1	Nut
8	25670011/0	1	Washer
9	12155000/0	2	Nut
10	125510116/0	1	Pin
11	25160021/0	1	Spacer
12	125601577/0	1	Pulley
20	135062003/0	1	Belt
21	25601555/0	1	Pulley
22	12691400/0	1	Screw
23	125160051/0	1	Spacer
24	12523060/0	1	Washer
25	12155000/0	1	Nut
26	12155000/0	1	Nut
27	12523060/0	1	Washer
28	25601554/0	1	Pulley
29	382318245/0	1	Lever
30	12691600/0	1	Screw
31	25038002/1	2	Bush
32	25160027/0	1	Spacer
33	12155000/0	1	Nut
34	125430262/0	1	Spring
41	325394534/0	1	Knob
42	125033083/0	1	Rod
43	325253011/1	1	Hook
44	22524970/2	1	Pin
45	12155000/0	1	Nut
46	25430213/0	1	Spring
47	12523060/0	1	Washer

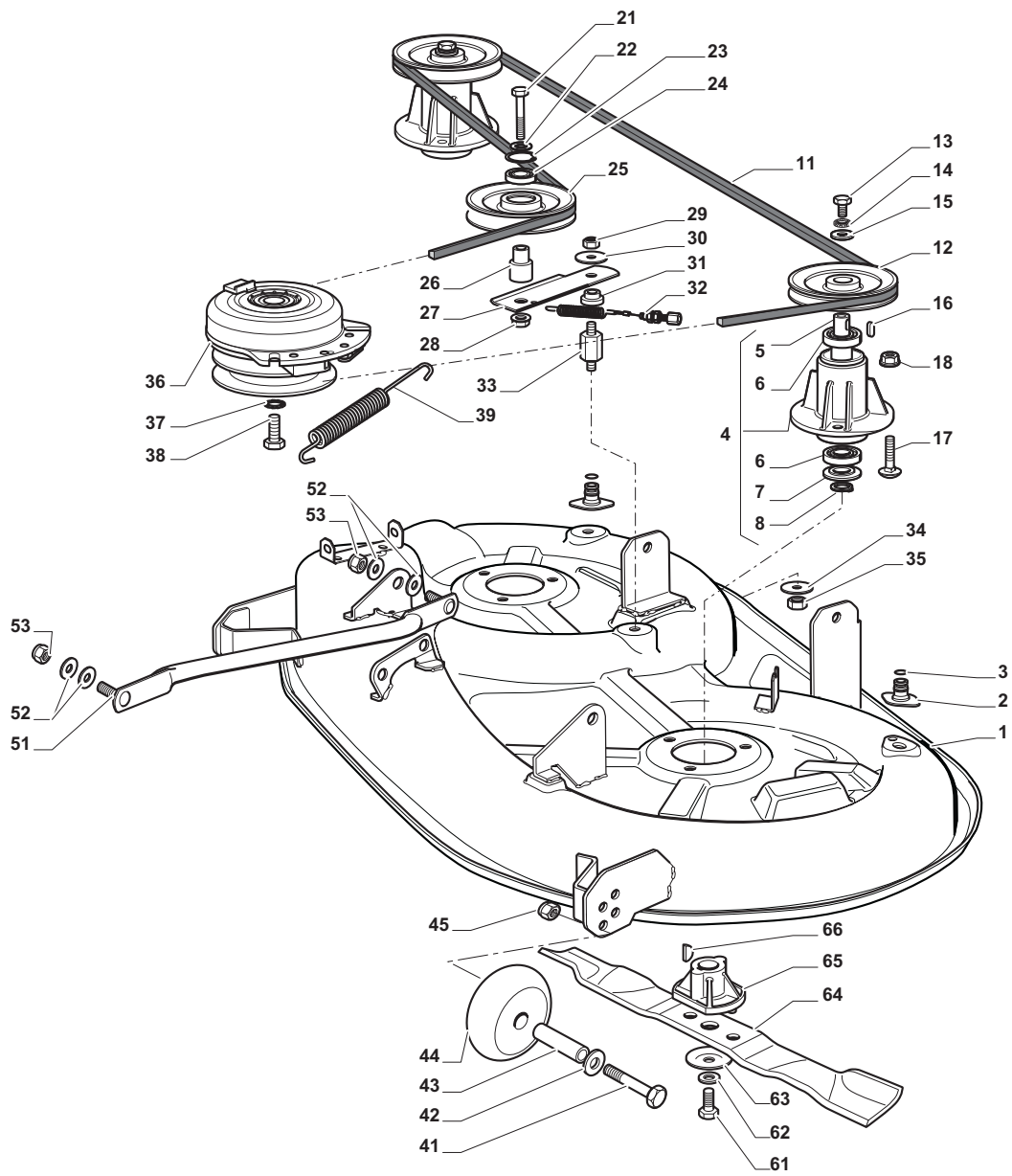


Transmission			
1	25110274/0	1	Clamp Cover Front
2	382000574/0	1	Drive Pedal
3	25110331/0	1	Clamp Cover Rear
4	325785350/0	2	Support
5	325547231/0	2	Plate
6	12791213/1	4	Screw
7	12154510/0	4	Nut
8	27546019/0	1	Plate
9	12735602/0	2	Screw
10	12540020/0	2	Washer
11	12581100/0	2	Grower
12	12290791/0	2	Nut
13	19410609/0	1	Microswitch
15	382000573/1	1	Rod
16	25670011/0	2	Washer
17	12000955/0	1	Snap Ring
18	12523040/0	1	Washer
19	12154510/0	1	Nut
21	12691600/0	4	Screw
22	12521350/0	4	Washer
23	118400919/2	1	Rear Axle (Hydro-Gear T2-ADBF-2X3C-17X1)
24	12155000/0	4	Nut
25	325670026/0	2	Washer
26	325785349/1	1	Support
27	12691700/0	1	Screw
29	12792611/0	1	Screw
30	12523060/0	2	Washer
31	12155000/0	2	Nut
32	12791213/1	1	Screw
33	325318251/0	1	Lever
34	12154510/0	1	Nut
41	25670005/1	2	Washer
42	125160055/0	2	Spacer
43	25670005/1	6	Washer
44	12001010/0	2	Snap Ring
45	322110233/0	2	Hub Cover
46	382000597/0	2	Rimm
47	25950000/0	2	Valve
48	125590015/0	2	Shoe

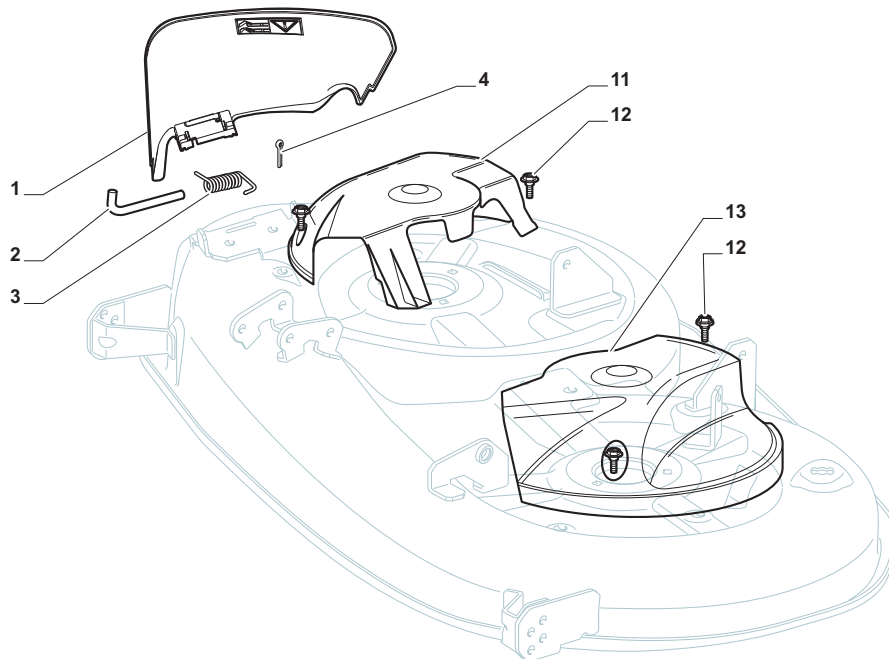


**Cutting Plate Lifting**

1	325394533/0	1	Knob
2	382318229/0	1	Lever
3	382318231/0	1	Axle
4	12674700/0	1	Screw
5	125430261/0	1	Spring
6	12154510/0	1	Nut
7	325038006/0	2	Bush
8	325785297/0	1	Support
9	125943009/0	2	Screw
10	325735515/0	1	Steering Shaft
11	125943009/0	2	Screw
12	12793701/0	1	Screw
13	125040636/0	1	Bush
14	125601579/0	1	Pulley
15	382004620/0	1	Wire
16	12523060/0	1	Washer
17	12293201/0	1	Nut
21	382318239/0	1	Axle
22	12735599/0	4	Screw
23	325547231/0	2	Plate
24	12155000/0	1	Nut
26	25670011/0	2	Washer
27	382000569/1	1	Connecting Rod
28	12521350/0	1	Washer
29	382318237/0	1	Axle
30	12604899/0	1	Crown Fastener
31	325547231/0	1	Plate
32	12735599/0	2	Screw
34	25670008/1	3	Washer
35	125510107/1	3	Pin
36	12156602/0	3	Nut
37	12295200/0	3	Nut
38	25840012/0	3	Tie Rod
39	12523060/0	3	Washer
41	24487998/0	3	Cotter Pin
43	12156602/0	3	Nut
44	25670008/1	6	Washer



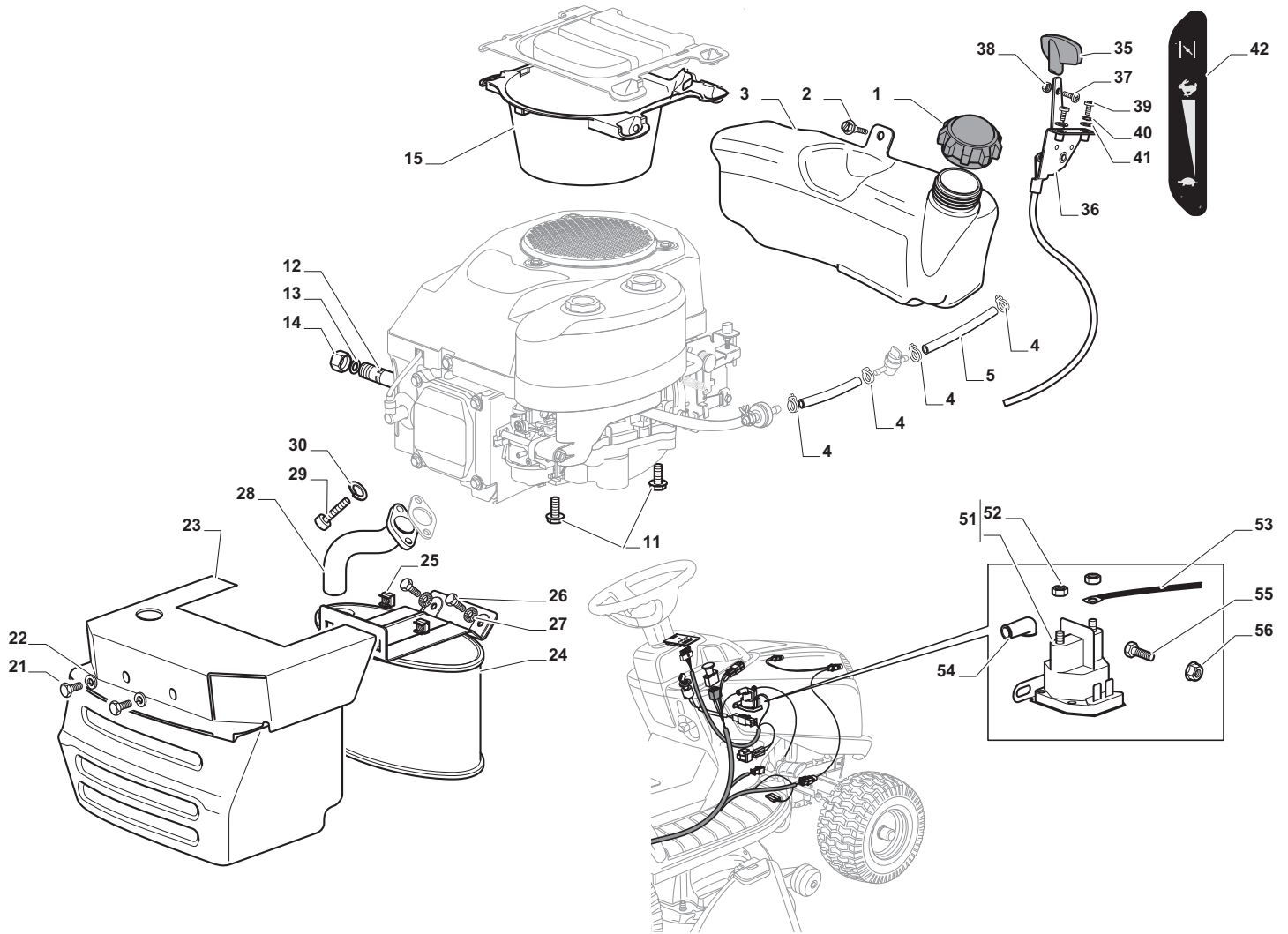
Cutting Plate			
1	382564209/0	1	Plate
2	325033086/0	2	Water Hose Connection
3	19035000/0	2	O Ring
4	382207204/0	2	Flange Ass.Y
5	125020804/0	2	Shaft
6	119216047/0	4	Bearing
7	25160501/0	2	Dust Cover
8	12609260/0	2	Seeger
11	135061504/0	1	Belt
12	25601571/0	2	Pulley
13	12793102/0	2	Screw
14	12540260/0	2	Washer
15	25670007/0	2	Washer
16	12139480/0	2	Key
17	12818690/0	6	Screw
18	12154210/0	6	Nut
21	12691400/0	1	Screw
22	12524010/0	1	Washer
23	12610800/0	1	Snap Ring
24	119216048/0	1	Bearing
25	125601586/0	1	Pulley
26	125160052/0	1	Spacer
27	325318232/0	1	Lever
28	12293201/0	1	Nut
29	12155020/0	1	Nut
30	125670022/0	1	Washer
31	125040635/0	1	Bush
32	82004618/0	1	Wire
33	125160049/0	1	Spacer
34	12523080/0	1	Washer
35	12156602/0	1	Nut
36	118399063/0	1	Clutc
37	12543000/0	1	Washer
38	12737320/0	1	Screw
39	122430277/0	1	Spring
41	12692050/0	2	Screw
42	12523060/0	2	Washer
43	25510072/0	2	Spacer
44	82700001/0	2	Anti Scalp Wheel Ø 100
45	12293201/0	2	Nut
51	382000565/0	2	Equalizer Rod
52	25670008/1	8	Washer
53	12156602/0	4	Nut
61	12735694/0	2	Screw
62	12523080/0	2	Washer
63	22160400/0	2	Elastic Washer
64	82004346/0	2	Blade
65	25463200/0	2	Blade Hub
66	12139100/0	2	Feather



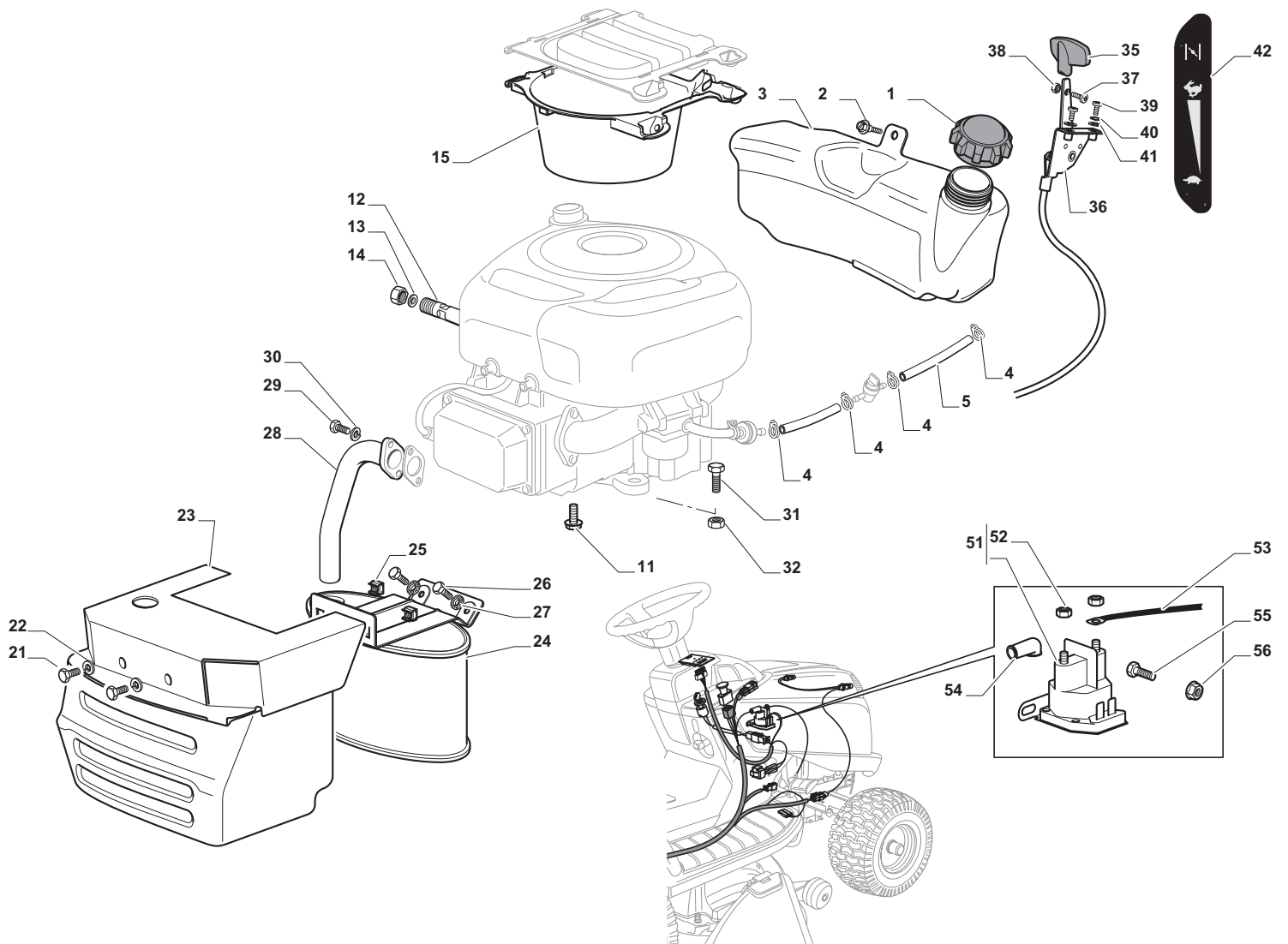


**Guards**

1	325600077/1	1	Exit Protection	
2	25510073/0	1	Pin	
3	125430242/1	1	Spring	
4	12141418/0	1	Cotter Pin	
11	325600078/0	1	Case	
12	125943006/0	4	Screw	
13	325600079/0	1	Case	

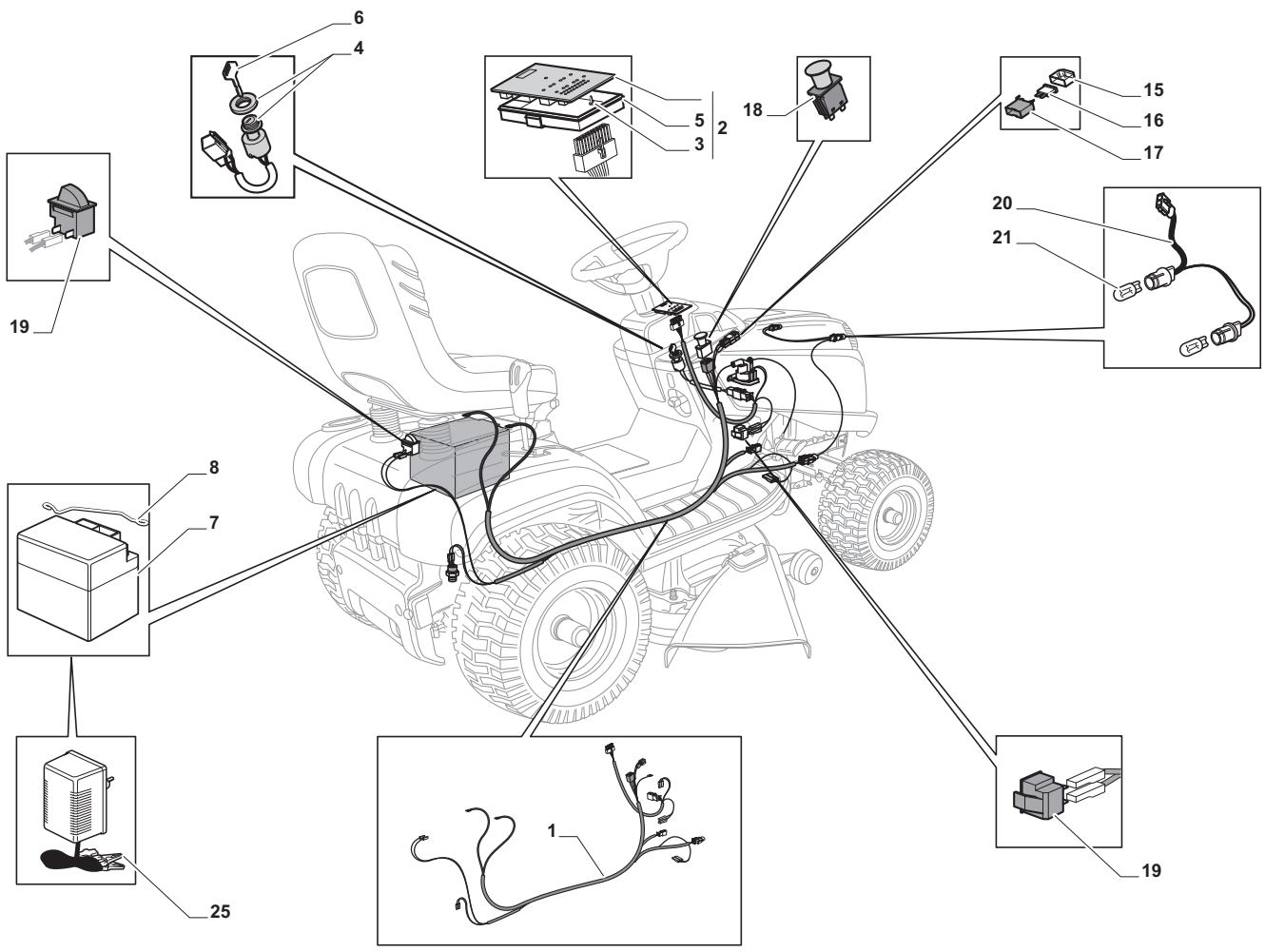


Engine - GGP			
1	25795001/1	1	Cap
2	125943006/0	4	Screw
3	325735126/0	1	Tank
4	18375051/1	4	Fair Led
5	25869057/0	1	Connecting Tube (1000 Mm)
11	112735108/1	4	Screw
12	27598060/0	1	Oil Discharge Extension
13	18401001/1	1	Oil Seal
14	18737849/0	1	Oil Cap
15	325108044/1	1	Conveyor
21	12792611/0	2	Screw
22	12540260/0	2	Washer
23	382598045/0	1	Muffler Protection
24	182750010/0	1	Muffler
25	12360425/0	2	Nut
26	12792611/0	2	Screw
27	12540260/0	2	Washer
28	118738231/1	1	Exhaust Tube
29	12737450/0	2	Screw
30	12540260/0	2	Washer
35	325394531/0	1	Knob
36	182000215/0	1	Accelerator
37	112726389/0	1	Screw
38	12290800/0	1	Nut
39	112726389/0	2	Screw
40	12540020/0	2	Washer
41	12521310/0	2	Washer
42	114363697/0	1	Label
51	18736111/0	1	Starter Relay
52	12360352/0	2	Nut
53	25065002/0	1	Cable
54	18564864/1	1	Protection
55	12790781/0	1	Screw
56	12154510/0	2	Nut

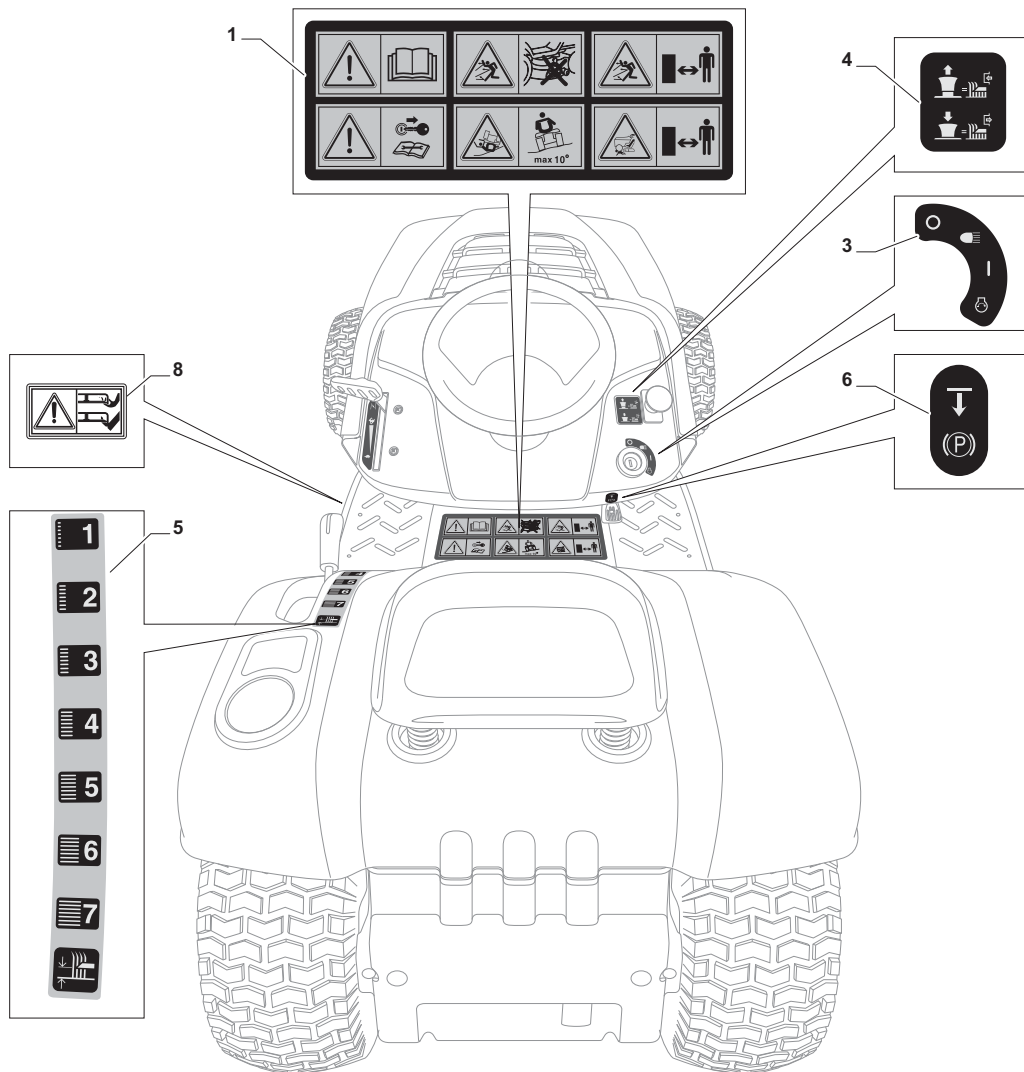


**Engine - B&S 12.5 HP**

1	25795001/1	1	Cap
2	125943010/0	4	Screw
3	325735126/0	1	Tank
4	18375051/1	4	Fair Led
5	25869057/0	1	Connecting Tube (1000 Mm)
11	112735108/1	3	Screw
12	25598050/0	1	Oil Discharge Extension
13	18401001/1	1	Oil Seal
14	18737849/0	1	Oil Cap
15	325108044/1	1	Conveyor
21	12792611/0	2	Screw
22	12540260/0	2	Washer
23	382598047/0	1	Muffler Protection
24	182750010/0	1	Muffler
25	12360425/0	2	Nut (Mech.)
26	12792611/0	2	Screw
27	12540260/0	2	Washer
28	18738224/0	1	Exhaust Tube
29	12737450/0	2	Screw
30	12540260/0	2	Washer
31	12691115/0	1	Screw
32	12154210/0	1	Nut
35	325394531/0	1	Knob
36	182000216/0	1	Accelerator
37	112726389/0	1	Screw
38	12290800/0	1	Nut
39	112726389/0	2	Screw
40	12540020/0	2	Washer
41	12521310/0	2	Washer
42	114363697/0	1	Label
51	18736111/0	1	Starter Relay
52	12360352/0	2	Nut
53	25065002/0	1	Cable
54	18564864/1	1	Protection
55	12790781/0	1	Screw
56	12154510/0	2	Nut



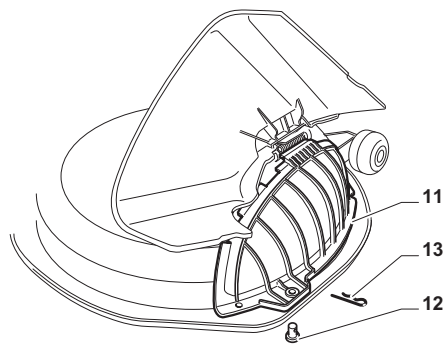
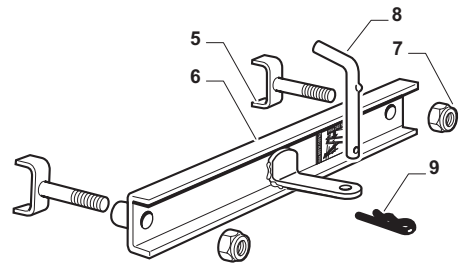
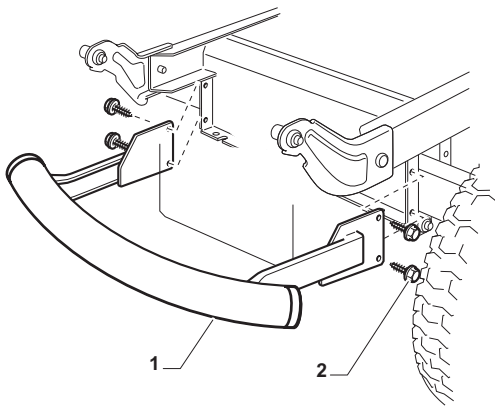
Electrical Parts			
1	182040158/0	1	Cables Ass.Y
1	182040157/0	1	Cables Ass.Y (Honda)
2	125722433/0	1	Electronic Card (GGP)
2	382722429/0	1	Electronic Card (B&S - Honda)
3	12735101/0	1	Screw
4	118450075/0	1	Starting Switch
5	325600080/0	1	Card Protection
6	118210023/0	1	Starting Key
7	18120002/1	1	Battery
8	125430265/0	1	Spring
15	33215000/0	2	Cover
16	33340040/0	1	Fuse 10A
16	33340036/0	1	Fuse 25 A
17	33500007/0	2	Fuse Carrier
18	118450074/0	1	Clutch Switch
19	119410613/0	2	Micro
20	82040073/0	1	Cable
21	18459100/0	2	Farilamp For Lights
25	182180090/0	1	Battery Charger
25	182180091/0	1	Battery Charger (U.K.)





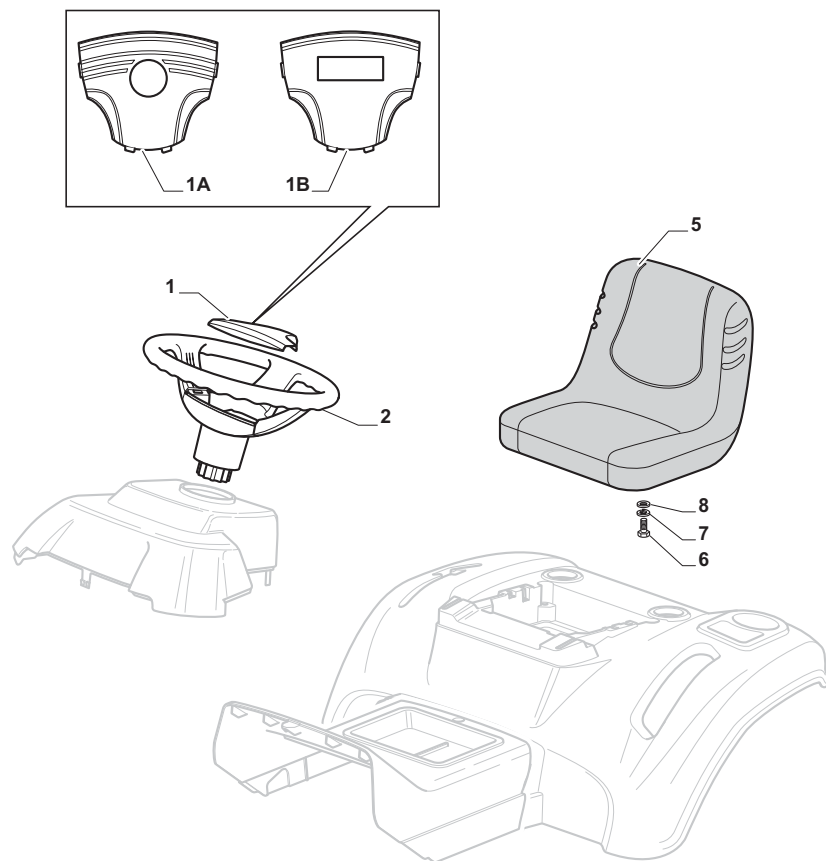
**Labels**

1	114362365/1	1	Label	
3	114363699/0	1	Label	
4	14361438/0	1	Label	
5	114363701/0	1	Label	
6	114363700/0	1	Label	
8	114356699/1	1	Label	



**Optionals On Request**

1	382869038/0	1	Muffler Protection	
2	125943008/0	4	Screw	
5	382650211/0	2	Stiffening	
6	382033111/0	1	Rod	
7	12155000/0	2	Nut	
8	25510021/1	1	Pin	
9	24487999/0	1	Cotter Pin	
11	325140099/0	1	Deflector	
12	125510111/0	1	Pin	
13	24487998/0	1	Cotter Pin	



**Seat & Steering Wheel**

1A	325580503/0	1	Steering Plate	
1B	325580504/0	1	Steering Plate	
2	325961219/0	1	Steering Wheel	
5	25722463/0	1	Seat	
6	12792611/0	4	Screw	
7	12540260/0	4	Washer	
8	12523060/0	4	Washer	