



Green Passion

Illustrated Parts List

XDC 135 HD

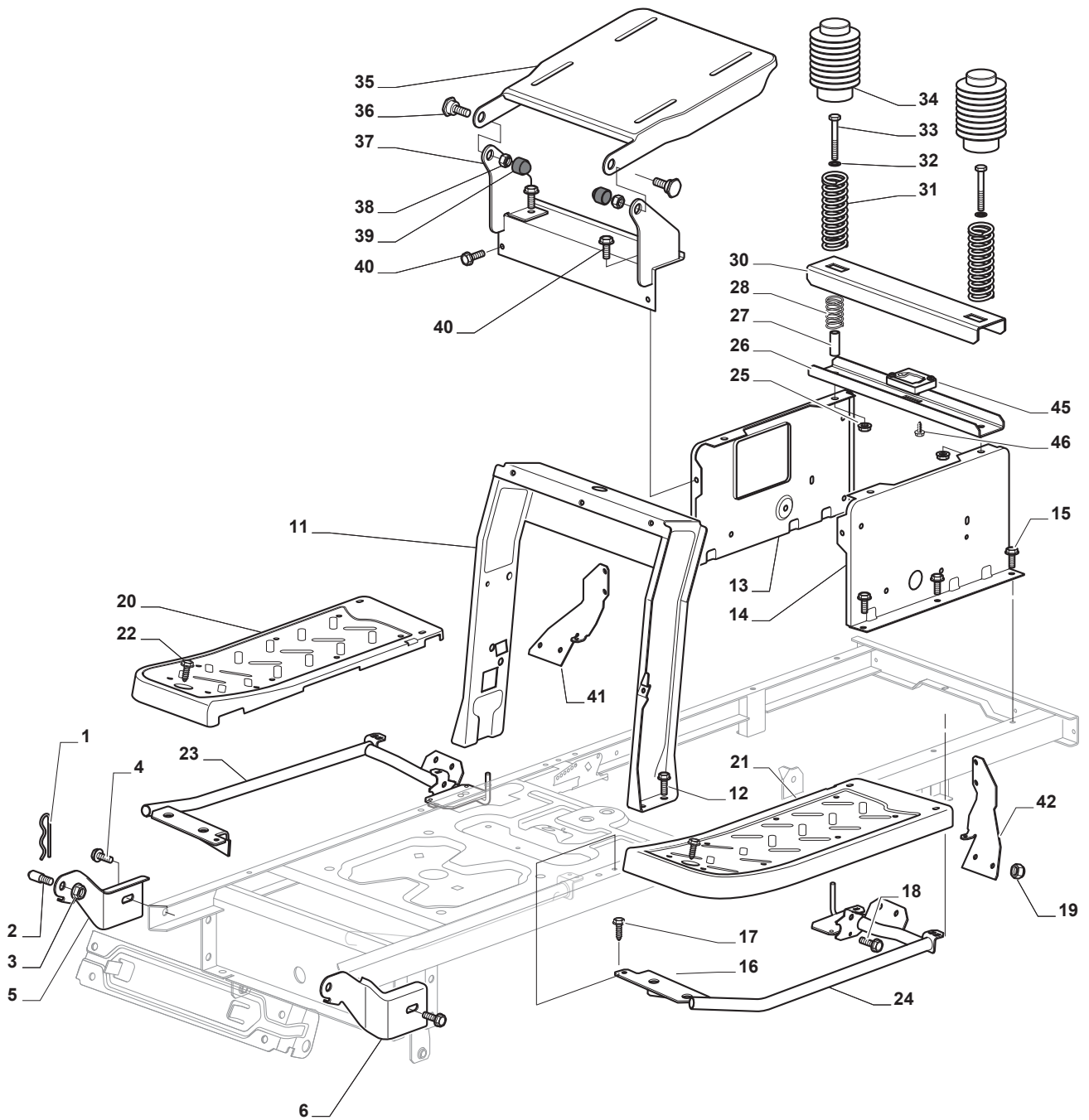
Model Year 2012

- Use GLOBAL GARDEN PRODUCT Genuine Spare Parts specified in the parts list for repair and/or replacement.
- The contents described in the parts list may change due to improvement.
- The drawings of the spare parts are only indicative and might not represent the part in question exactly.
- The indications "right" - "left" - "front" - "rear" refer to the position of the operator when using the machine.
- When placing orders of parts for repair and/or replacement, make sure that the illustrated parts list is the one applying to the machine's year of manufacture, as shown on the identification plate attached to the machine.

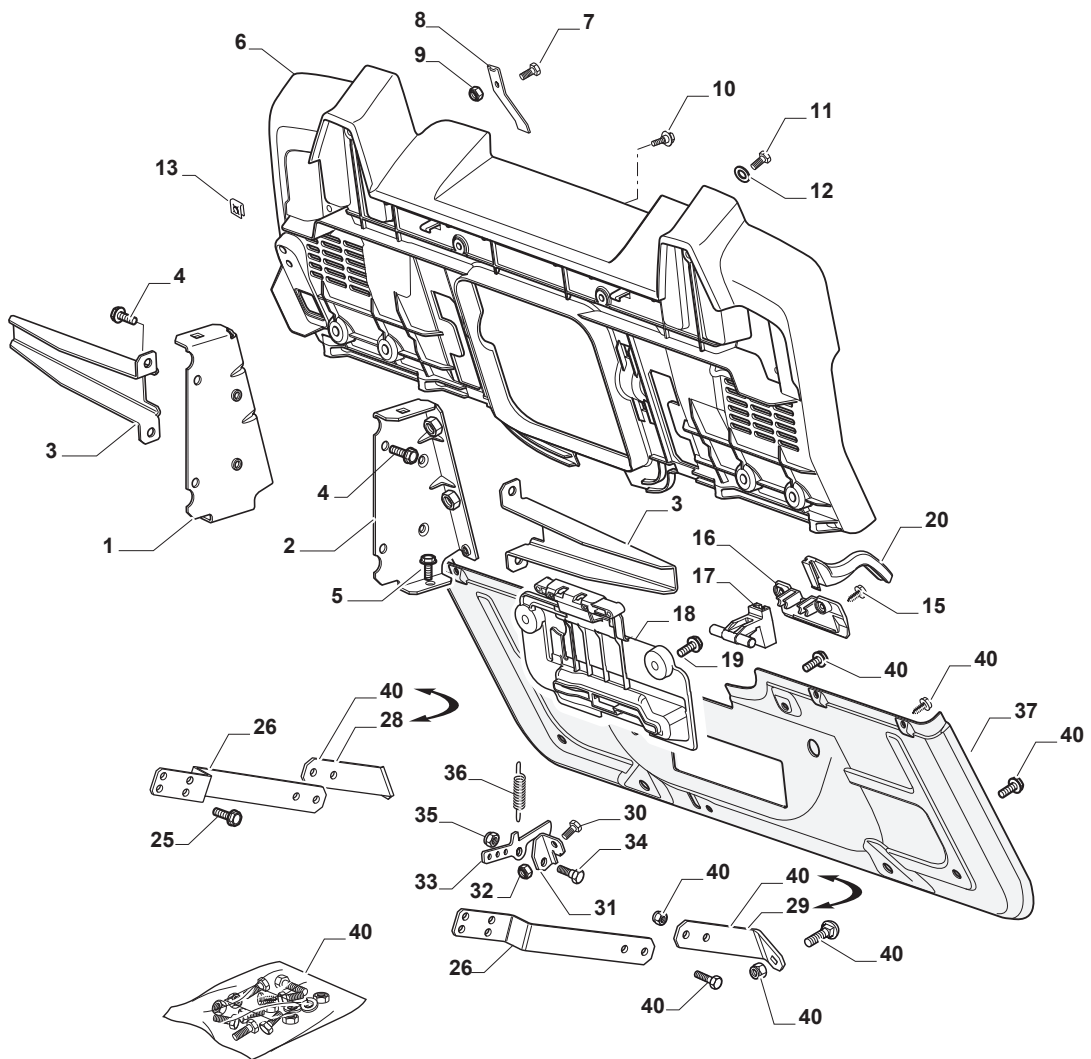
© Copyright 2012 Global Garden Products

All content is subject to copyright by Global Garden Products and may not be reproduced in whole or in part by any means, electronic or otherwise, without prior written approval.

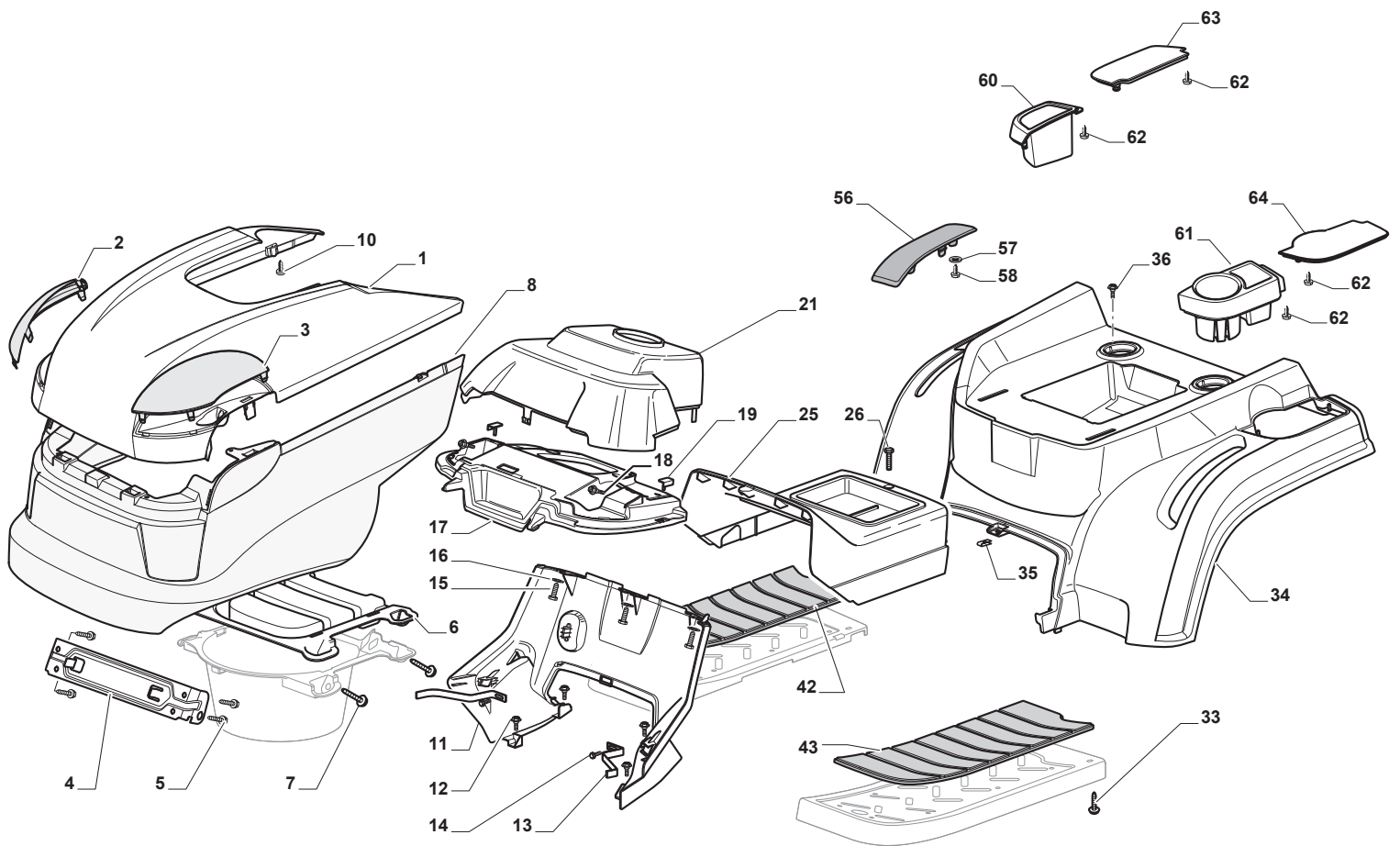
THIS INFORMATION IS NOT INTENDED FOR SALE OR RESALE, AND THIS NOTICE MUST REMAIN ON ALL COPIES.



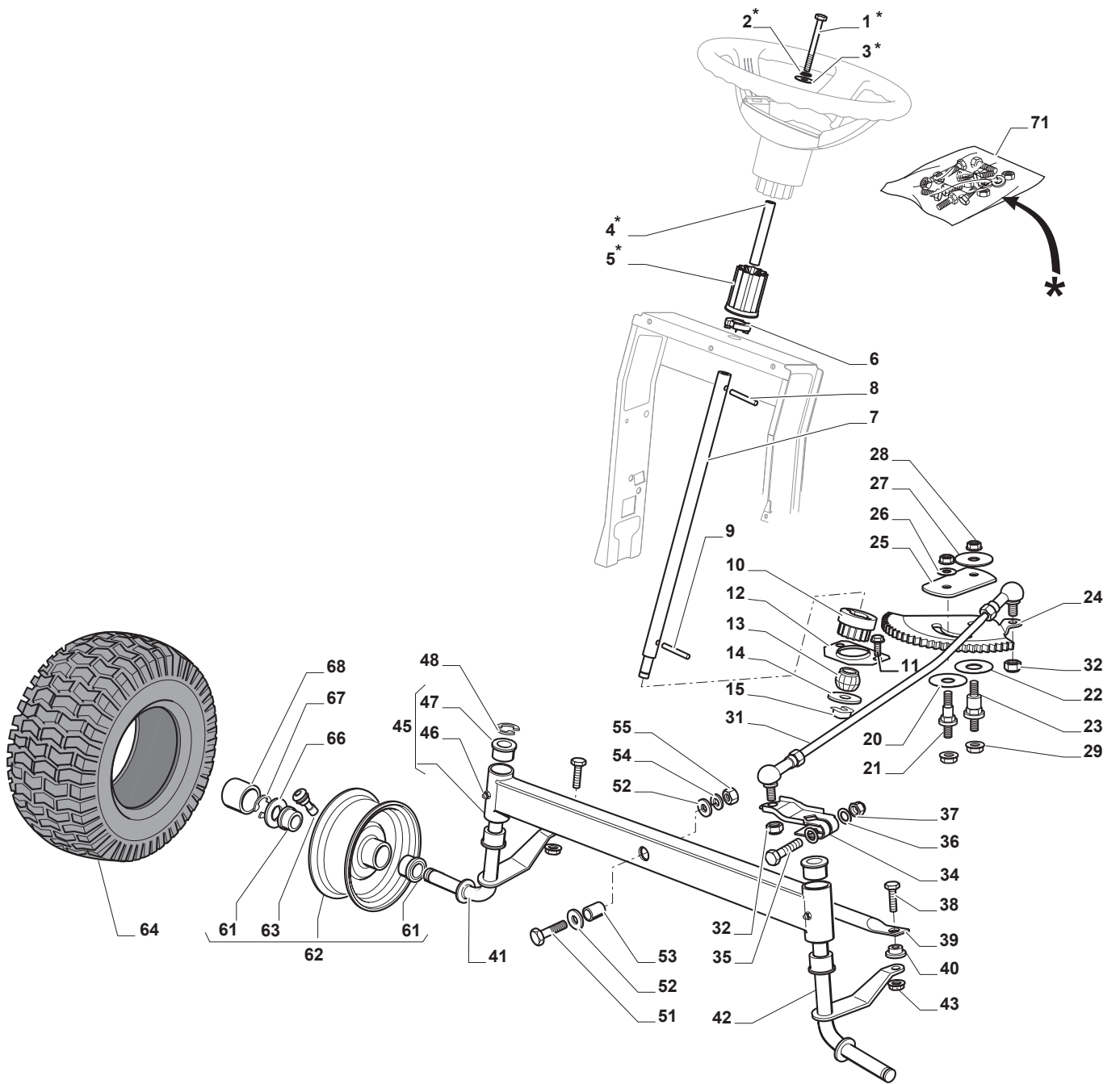
N.	CODE	Q.TY	DESCRIPTION
1	24487998/0	1	Cotter Pin
2	25510079/0	2	Pin
3	12154210/0	2	Nut
4	12735599/0	2	Screw
5	325547225/0	1	Right Plate
6	325547227/0	1	Left Plate
11	382785169/1	1	Steering Column Support
12	125943009/0	4	Screw
13	325785331/1	1	Right Seat Support
14	325785333/1	1	Left Seat Support
15	125943009/0	6	Screw
16	382785179/0	1	Footboard Support
17	125943009/0	2	Screw
18	125943009/0	2	Screw
19	12155000/0	10	Nut
20	325500041/1	1	Right Footboard
21	325500043/1	1	Left Footboard
22	12735599/0	2	Screw
23	382785221/0	1	Footboard Support
24	382785223/0	1	Footboard Support
25	12293201/0	2	Nut
26	325820109/1	1	Seat Support
27	125160048/0	2	Spacer
28	125430263/0	2	Spring
30	325820111/0	1	Support
31	125430264/0	2	Spring
32	12521350/0	2	Washer
33	12691400/0	2	Screw
34	325122002/0	2	Hood
35	382547061/0	1	Plate
36	22524970/2	2	Pin
37	382820151/0	1	Seat Support
38	12155010/0	2	Nut
39	118203854/0	2	Protection
40	125943009/0	12	Screw
41	325650155/0	1	Support
42	325650157/0	1	Support
45	112728686/0	1	Cam
46	112728686/0	2	Screw



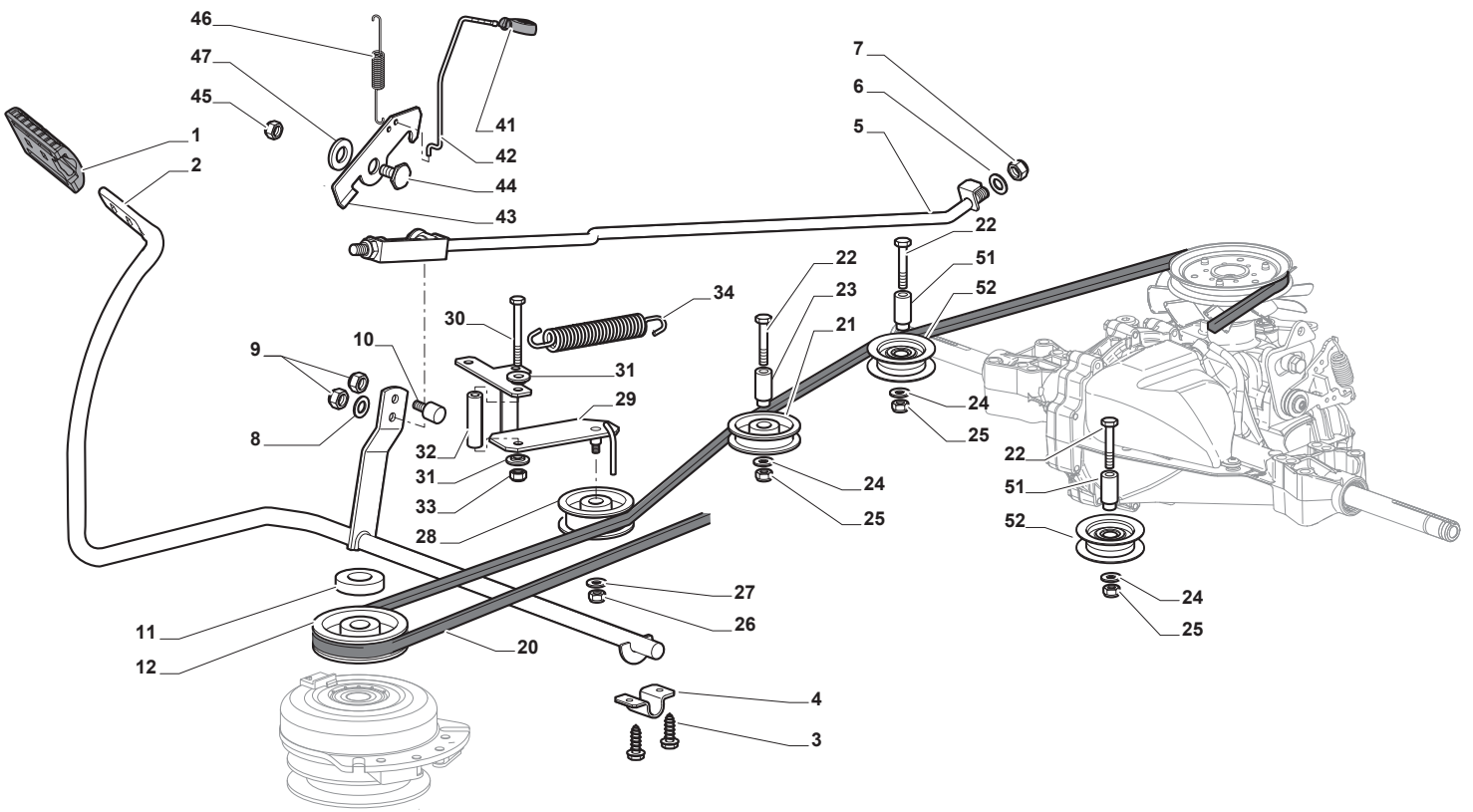
N.	CODE	Q.TY	DESCRIPTION
1	325774501/0	1	Clamp
2	325774507/0	1	Clamp
3	325650163/0	2	Stiffening
4	125943009/0	8	Screw
5	125943009/0	2	Screw
6	325547299/0	1	Rear Plate, Upper Part
7	12789008/0	1	Screw
8	27430554/0	1	Spring
9	12154330/0	1	Nut
10	125943010/0	4	Screw
11	12789008/0	6	Screw
12	12521320/0	6	Washer
13	12437503/0	6	Plate
15	12728686/0	2	Screw
16	325109522/0	1	Protection Cover
17	325318276/0	1	Gearshift
18	325785400/0	1	Support
19	125943010/0	2	Screw
20	325318277/0	1	Lever
25	125943009/0	4	Screw
26	325774521/0	2	Clamp
28	325650151/0	1	Stiffening
29	325650153/0	1	Stiffening
31	325755061/0	1	Bracket
30	12789008/0	1	Screw
32	12154330/0	1	Nut
33	325774533/0	1	Clamp
34	125510080/1	1	Pin
35	12154510/0	1	Nut
36	125430282/0	1	Spring
37	382547071/0	1	Rear Plate, Lower Part
40	382180121/0	1	Screws Outfit



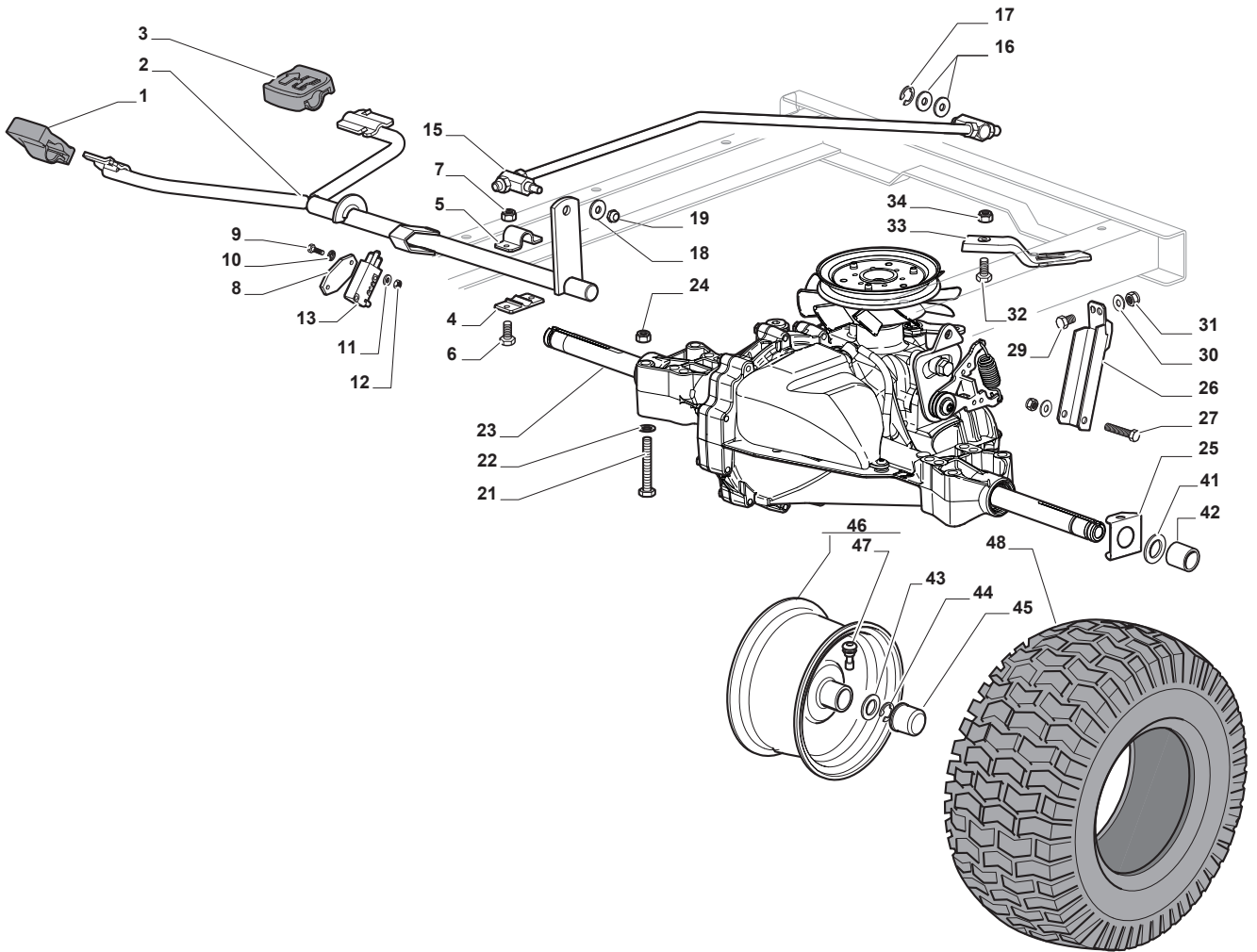
N.	CODE	Q.TY	DESCRIPTION
1	325076910/0	1	Upper Engine Hood Red
2	325410901/0	1	Right Grill
3	325410902/0	1	Left Grill
10	112728686/0	2	Screw
8	325076911/0	1	Lower Engine Hood
4	325785317/0	1	Engine Hood Support
5	12735403/0	4	Screw
6	325263302/1	1	Air Intake Grill
7	112728692/0	4	Screw
11	325785298/0	1	Dashboard Support
12	125943010/0	4	Screw
13	325270325/0	2	Guide
14	12735599/0	2	Screw
15	112735406/0	3	Screw
16	12523040/0	3	Washer
17	325120202/1	1	Dashboard
18	125943010/0	2	Screw
19	325260003/0	2	Grommet
21	325120203/0	1	Cover
25	325110383/1	1	Cover, Red
26	125943010/0	1	Screw
33	112735406/0	4	Screw
34	325110432/0	1	Wheels Cover, Red
35	112437506/0	1	Plate
36	125943010/0	2	Screw
37	112735406/0	2	Screw
38	12523040/0	2	Washer
39	325547208/1	1	Plate
40	125943010/0	2	Screw
42	325110384/0	1	Right Footboardcover
43	325110385/0	1	Left Footboard Cover
55	325207191/0	1	Plate
60	325207198/0	1	Cover
61	325207199/0	1	Cover
62	12735403/0	4	Screw
63	325207196/0	1	Cover
64	325207197/0	1	Cover



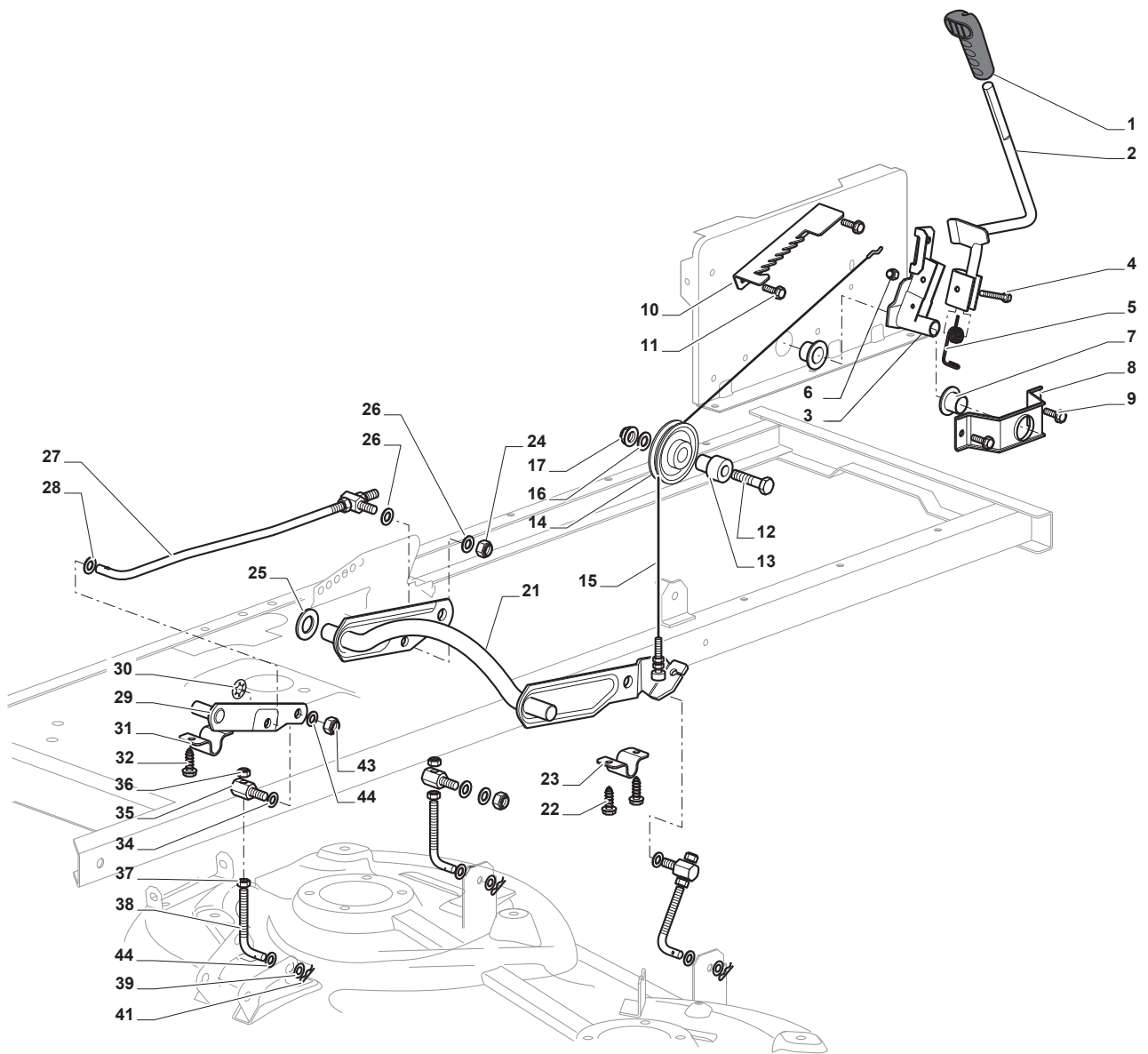
N.	CODE	Q.TY	DESCRIPTION
1	12692050/0	1	Screw
2	12540260/0	1	Washer
3	12523070/0	1	Washer
4	125160047/0	1	Spacer
5	325785318/0	1	Support
6	325038008/0	1	Bush
7	125520007/0	1	Steering Column
8	112620300/0	1	Pin
9	12622650/0	1	Pin
10	125570003/0	1	Pinion
11	27943051/0	2	Screw
12	325785213/1	1	Support
13	25743000/0	1	Joint
14	12521370/0	1	Washer
15	12436030/0	1	Plate
20	22672151/0	1	Washer
21	125510104/0	1	Pin
22	125670023/0	1	Washer
23	125510109/0	1	Pin
24	325735519/0	1	Steering Shaft
25	325547233/0	1	Plate
26	12369500/0	1	Elastic Washer
27	22160400/0	1	Elastic Washer
28	12155010/0	2	Nut
29	12154210/0	2	Nut
31	382000566/1	1	Steering Rod
32	12156602/0	2	Nut
34	325318243/0	1	Lever
35	12692390/0	1	Screw
36	12521360/0	2	Washer
37	12156602/0	1	Nut
38	125510103/0	2	Pin
39	325840029/0	1	Tie Rod
40	325038007/0	2	Bush
41	382230373/0	1	Right Stub Axle
42	382230375/0	1	Left Stub Axle
43	12155000/0	2	Nut
45	382034030/0	1	Equalizer With Bush And Lubricator
46	12379511/0	2	Grease Dispenser
47	25034002/1	4	Bush
48	12001010/0	1	Snap Ring
51	12692695/0	1	Screw
52	12523100/0	2	Washer
53	25160016/0	1	Spacer
54	12587100/0	1	Grower
55	12295300/0	1	Nut
61	25122200/2	4	Bearing
62	182000598/0	2	Rimm
63	25950000/0	2	Valve
64	127590066/0	2	Tire
66	25670005/1	2	Washer
67	12001010/0	2	Snap Ring
68	322110233/0	2	Hub Cover
70	382180124/0	1	Screws Outfit



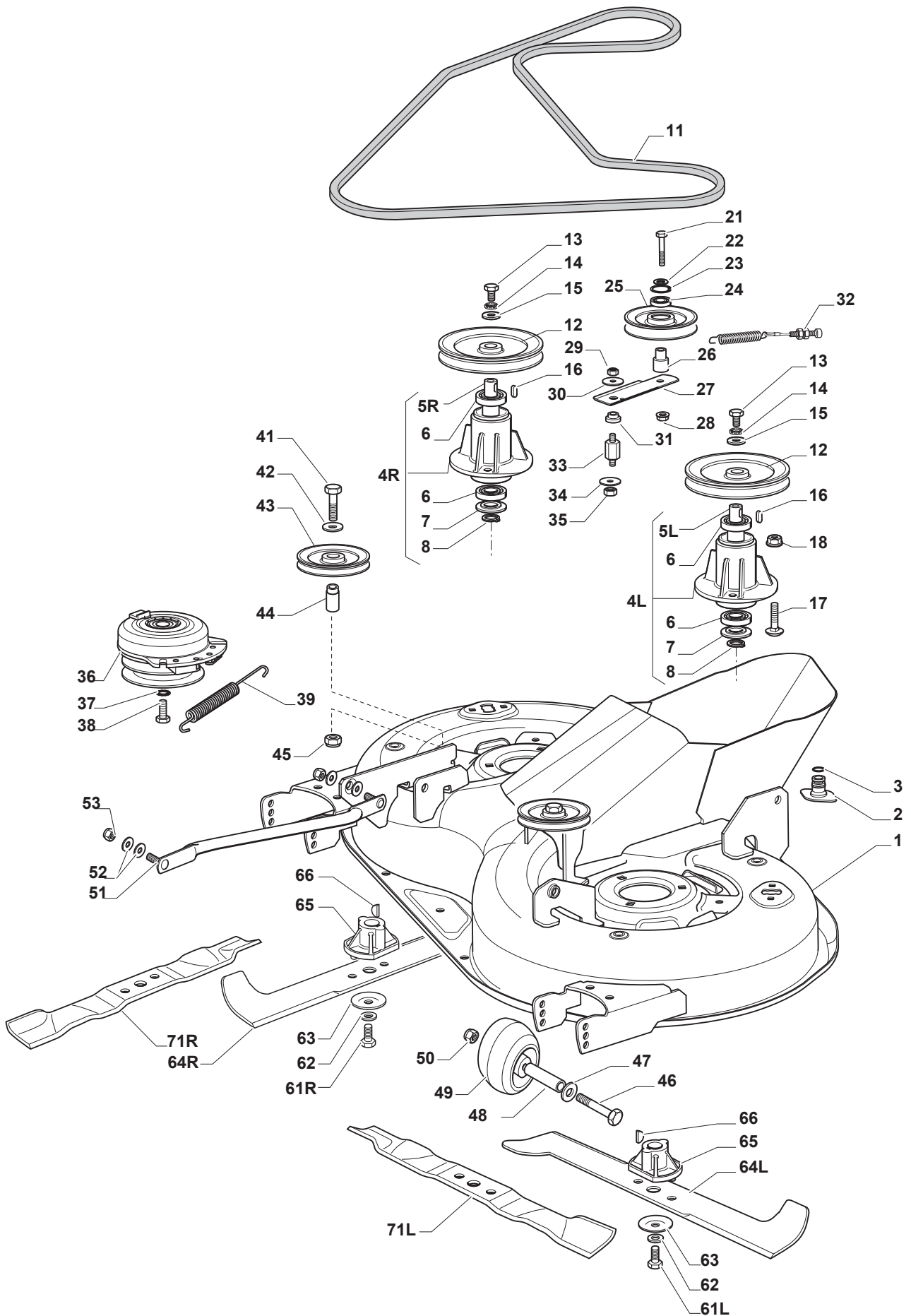
N.	CODE	Q.TY	DESCRIPTION
1	325110409/0	1	Clamp Cover
2	382000641/0	1	Pedal
3	12735599/0	4	Screw
4	325547231/0	2	Plate
5	382000636/0	1	Rod
6	12521360/0	1	Washer
7	12156602/0	1	Nut
8	25670011/0	1	Washer
9	12155000/0	2	Nut
10	125510116/0	1	Pin
11	25160021/0	1	Spacer
12	125601577/0	1	Pulley
20	35062001/0	1	Belt
21	25601555/0	1	Pulley
22	12691400/0	3	Screw
23	125160051/0	1	Spacer
24	12523060/0	3	Washer
25	12155000/0	3	Nut
26	12155000/0	1	Nut
27	12523060/0	1	Washer
28	25601554/0	1	Pulley
29	382318245/0	1	Lever
30	12691600/0	1	Screw
31	25038002/1	2	Bush
32	25160027/0	1	Spacer
33	12155000/0	1	Nut
34	125430262/0	1	Spring
41	325394534/0	1	Knob
42	125033083/0	1	Rod
43	325253011/1	1	Hook
44	22524970/2	1	Pin
45	12155000/0	1	Nut
46	25430213/0	1	Spring
47	12523060/0	1	Washer
51	125160068/0	2	Spacer
52	125601592/0	2	Pulley



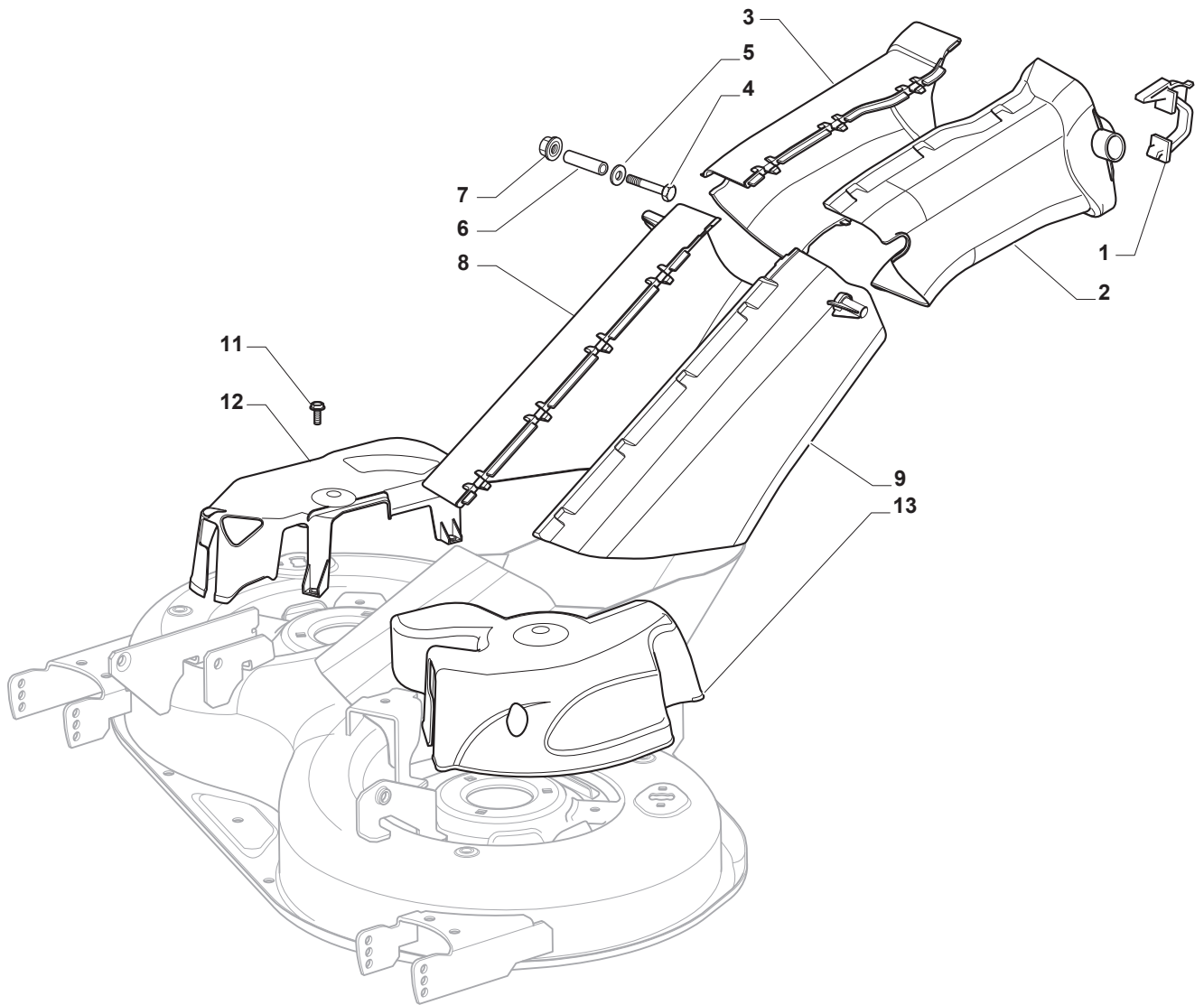
N.	CODE	Q.TY	DESCRIPTION
1	25110274/0	1	Clamp Cover Front
2	382000574/0	1	Drive Pedal
3	25110331/0	1	Clamp Cover Rear
4	325785350/0	2	Support
5	325547231/0	2	Plate
6	12791213/1	4	Screw
7	12154510/0	4	Nut
8	27546019/0	1	Plate
9	12735602/0	2	Screw
10	12540020/0	2	Washer
11	12581100/0	2	Grower
12	12290791/0	2	Nut
13	19410609/0	1	Microswitch
15	382000573/1	1	Rod
16	25670011/0	2	Washer
17	12000955/0	1	Snap Ring
18	12523040/0	1	Washer
19	12154510/0	1	Nut
21	12691600/0	4	Screw
22	12521350/0	4	Washer
23	118400921/0	1	Rear Axle (Hydro-Gear T2-ADBF-2X3C-1RX1)
24	12155000/0	4	Nut
25	325670026/0	2	Washer
26	325785349/1	1	Support
27	12691700/0	1	Screw
29	12792611/0	1	Screw
30	12523060/0	2	Washer
31	12155000/0	2	Nut
32	12791213/1	1	Screw
33	325318251/0	1	Lever
34	12154510/0	1	Nut
41	25670005/1	2	Washer
42	125160055/0	2	Spacer
43	25670005/1	6	Washer
44	12001010/0	2	Snap Ring
45	322110233/0	2	Hub Cover
46	382000597/0	2	Rimm
47	25950000/0	2	Valve
48	125590015/0	2	Shoe



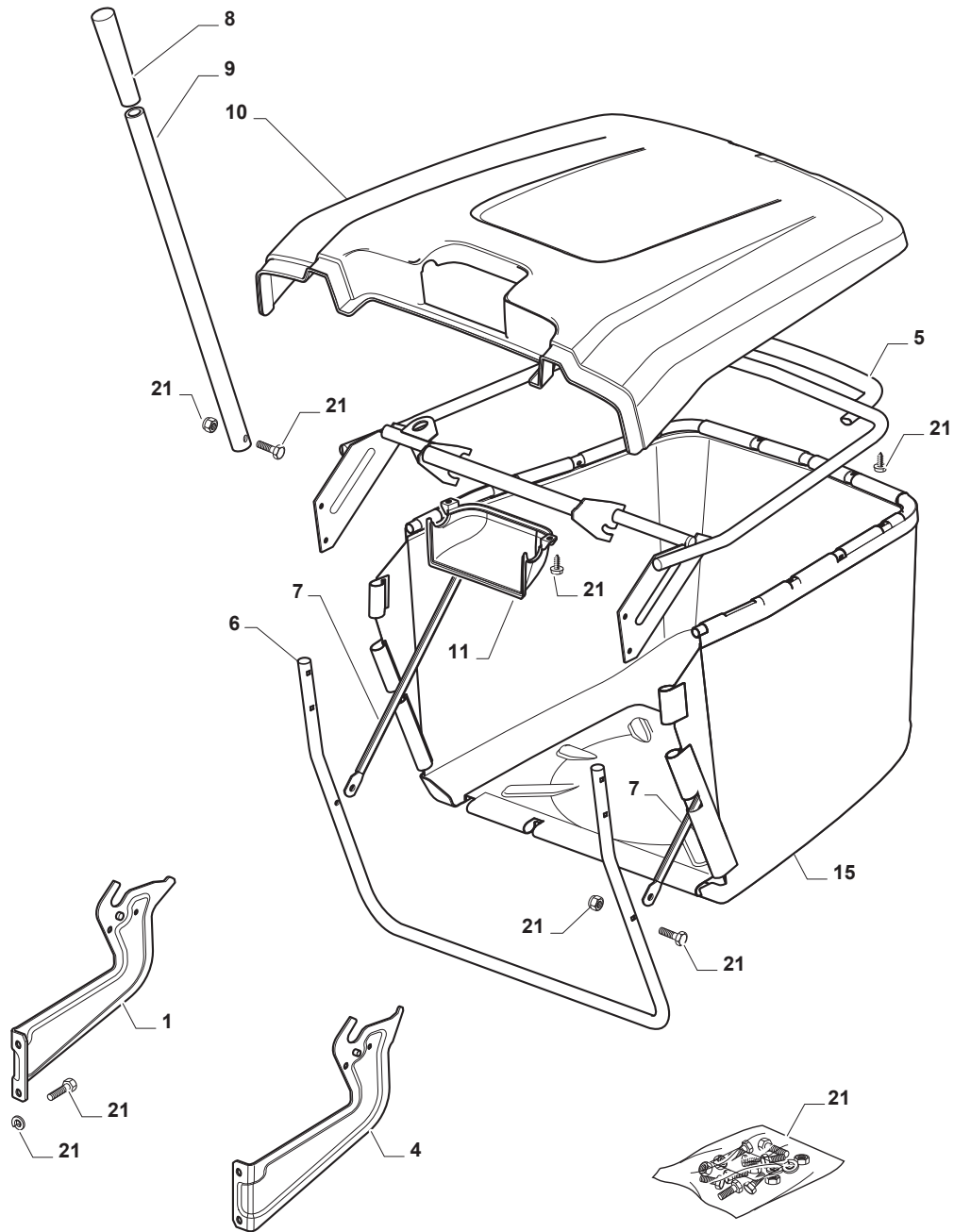
N.	CODE	Q.TY	DESCRIPTION
1	325394533/0	1	Knob
2	382318255/0	1	Lever
3	382318231/0	1	Axle
4	12674700/0	1	Screw
5	125430261/0	1	Spring
6	12154510/0	1	Nut
7	325038006/0	2	Bush
8	325785297/0	1	Support
9	125943009/0	2	Screw
10	325735515/0	1	Steering Shaft
11	125943009/0	2	Screw
12	12793701/0	1	Screw
13	125040636/0	1	Bush
14	125601579/0	1	Pulley
15	382004620/0	1	Wire
16	12523060/0	1	Washer
17	12293201/0	1	Nut
21	382318253/0	1	Axle
22	12735599/0	4	Screw
23	325547231/0	2	Plate
24	12155000/0	1	Nut
25	12521390/0	2	Washer
26	25670011/0	2	Washer
27	382000569/1	1	Connecting Rod
28	12521350/0	1	Washer
29	382318237/0	1	Axle
30	12604899/0	1	Crown Fastener
31	325547231/0	1	Plate
32	12735599/0	2	Screw
34	25670008/1	3	Washer
35	125510107/1	3	Pin
36	12156602/0	3	Nut
37	12295200/0	3	Nut
38	25840012/0	3	Tie Rod
39	12523060/0	3	Washer
41	24487998/0	3	Cotter Pin
43	12156602/0	3	Nut
44	25670008/1	6	Washer



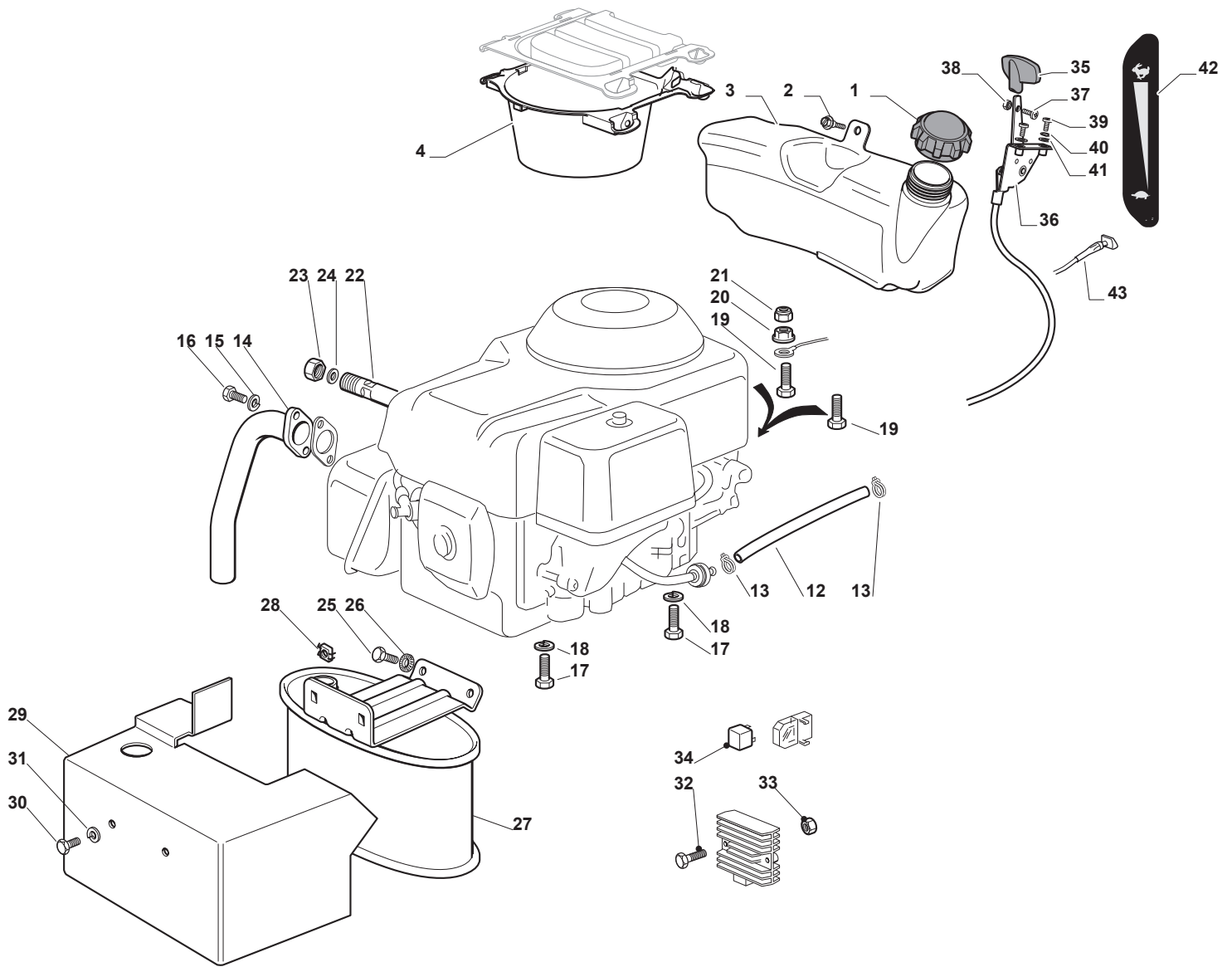
N.	CODE	Q.TY	DESCRIPTION
1	382564113/0	1	Cutting Plate Black
2	325033086/0	2	Water Hose Connection
3	19035000/0	2	O Ring
4R	382207204/0	2	Flange Ass.Y
4L	382207204/0	2	Flange Ass.Y
5R	125020805/0	2	Shaft
5L	125020804/0	2	Shaft
6	119216049/0	4	Bearing
7	25160501/0	2	Dust Cover
8	12609260/0	2	Seeger
11	135061508/0	1	Belt
12	25601571/0	2	Pulley
13	12793102/0	2	Screw
14	12540260/0	2	Washer
15	25670007/0	2	Washer
16	12139480/0	2	Key
17	12818690/0	6	Screw
18	12154210/0	6	Nut
21	12691400/0	1	Screw
22	12524010/0	1	Washer
23	12610800/0	1	Snap Ring
24	19216041/0	1	Bearing
24	119216048/0	1	Bearing
25	125601595/0	1	Pulley
26	125160052/0	1	Spacer
27	325318289/0	1	Lever
28	12293201/0	1	Nut
29	12155020/0	1	Nut
30	125670022/0	1	Washer
31	125040635/0	1	Bush
32	82004618/0	1	Wire
33	125160049/0	1	Spacer
34	12523080/0	1	Washer
35	12156602/0	1	Nut
36	118399069/0	1	Clutc
37	12543000/0	1	Washer
38	12737320/0	1	Screw
39	125430277/0	1	Spring
41	112691400/0	2	Screw
42	112523060/0	2	Washer
43	125601555/0	2	Pulley
44	125160069/0	2	Spacer
45	112155000/0	2	Nut
46	112692050/0	2	Screw
47	112523060/0	2	Washer
48	125160072/0	2	Spacer
49	182700005/0	2	Anti Scalp Wheel Ø 90
50	112293201/0	2	Nut
51	382000565/0	2	Equalizer Rod
52	25670008/1	8	Washer
53	12156602/0	4	Nut
61R	112735695/1	1	Screw
61L	112735694/0	1	Screw
62	12523080/0	2	Washer
63	22160400/0	2	Elastic Washer
64R	182004358/0	1	Right Blade, Winged
64L	182004359/0	1	Left Blade, Winged
65	25463200/0	2	Blade Hub
66	12139100/0	2	Feather
71R	182004360/0	1	Right Blade Mulching
71L	182004361/0	1	Left Blade Mulching



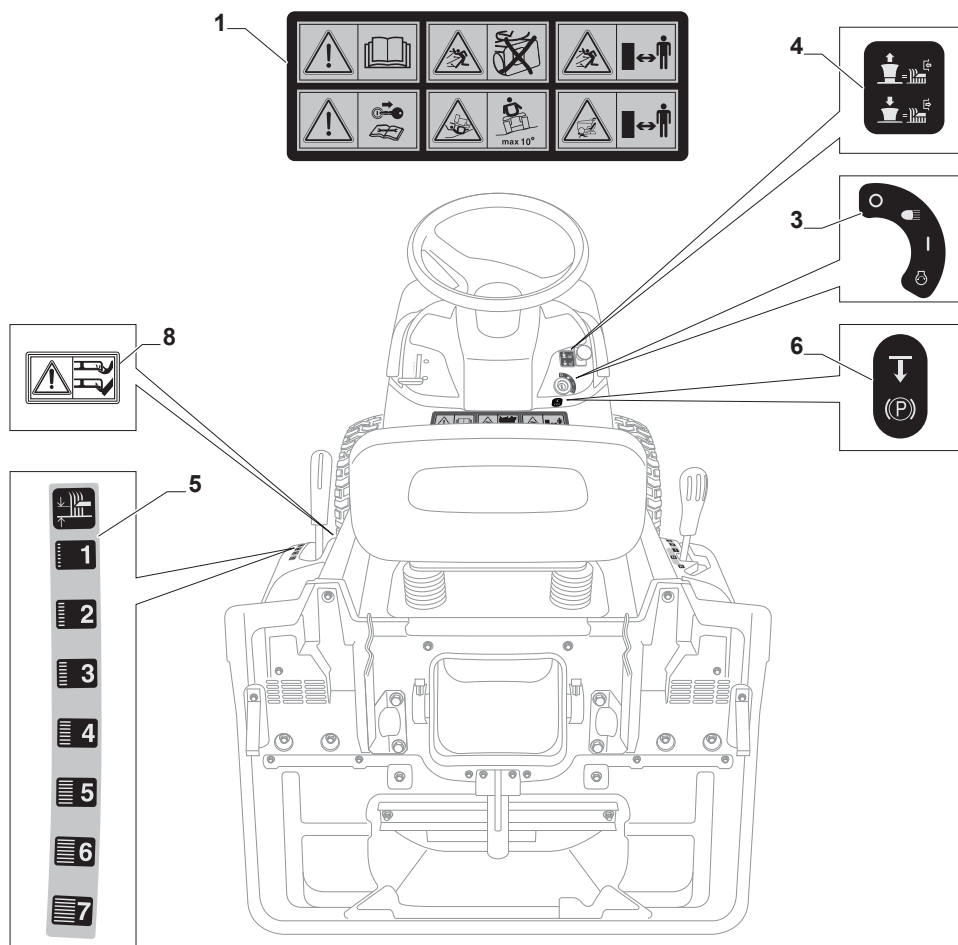
N.	CODE	Q.TY	DESCRIPION
1	325774499/0	2	Clamp
2	325108056/0	1	Conveyor
3	325108057/0	1	Conveyor
4	112792425/0	2	Screw
5	112521330/0	2	Washer
6	125160071/0	2	Spacer
7	112292102/0	2	Nut
8	325108064/0	1	Conveyor
9	325108065/0	1	Conveyor
11	125943010/0	6	Screw
12	325060170/0	1	Case
13	325060171/0	1	Case



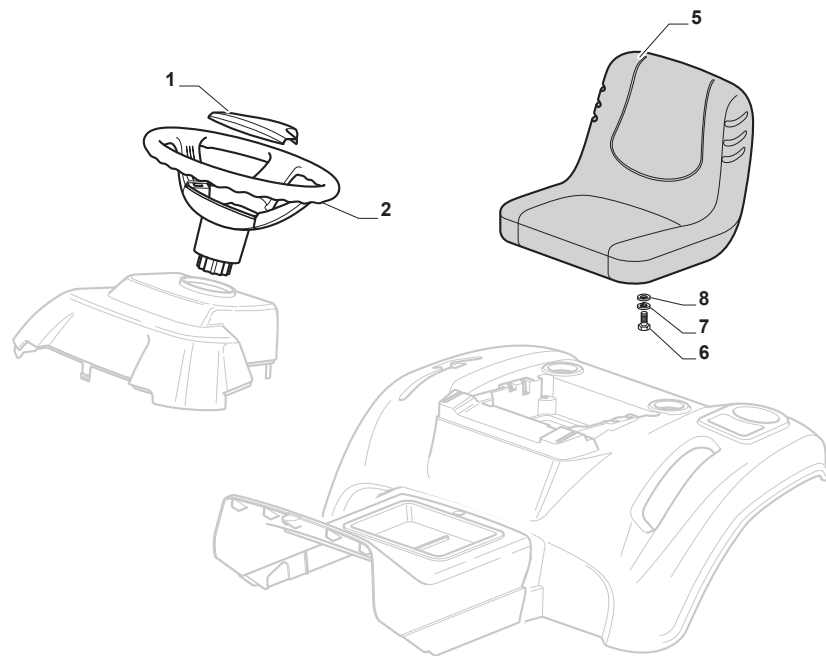
N.	CODE	Q.TY	DESCRIPTION
1	325785377/0	1	Support
4	325785383/0	1	Support
5	382800139/0	1	Upper Frame
6	382800141/0	1	Front Frame
7	325650149/0	2	Stiffening
8	125394508/0	1	Handle
9	325869087/0	1	Rod
10	325110431/0	1	Grass-Catcher Cover, Red
11	325207195/0	1	Handle Cover
15	182105947/0	1	Grasscatcher
21	382180123/0	1	Screws Outfit



N.	CODE	Q.TY	DESCRIPION
1	25795001/1	1	Cap
2	125943010/0	4	Screw
3	325735126/0	1	Tank
4	325108044/1	1	Conveyor
12	25869057/0	1	Connecting Tube (1000 Mm)
13	118375051/1	2	Fair Led
14	112583500/0	1	Exhaust Tube
15	12583500/0	2	Grower
16	12793102/0	2	Screw
17	12735802/0	2	Screw
18	12583500/0	2	Grower
19	12691100/0	2	Screw
20	12154210/0	2	Nut
21	12155000/0	1	Nut
22	127598060/0	1	Oil Discharge Extension
23	18737849/0	1	Oil Cap
24	18401001/1	1	Oil Seal
25	12792611/0	2	Screw
26	12540260/0	2	Washer
27	182750010/0	1	Muffler
28	12360425/0	2	Nut
29	82598003/1	1	Guard
30	125943012/0	2	Screw
31	12583500/0	2	Grower
32	112791213/1	2	Screw
33	112154510/0	2	Nut
34	33567000/0	1	Relay
35	325394531/0	1	Knob
36	184000251/1	1	Accelerator
37	112726389/0	1	Screw
38	12290800/0	1	Nut
39	112726389/0	2	Screw
40	12540020/0	2	Washer
41	12521310/0	2	Washer
42	114363697/0	1	Label



N.	CODE	Q.TY	DESCRIPION
1	114361553/1	1	Label
3	114363699/0	1	Label
4	14361438/0	1	Label
5	114363701/0	1	Label
6	114363700/0	1	Label
8	114356699/1	1	Label



N.	CODE	Q.TY	DESCRIPION
1	325580503/0	1	Steering Plate
2	325961219/0	1	Steering Wheel
5	25722463/0	1	Seat
6	12792611/0	4	Screw
7	12540260/0	4	Washer
8	12523060/0	4	Washer