



Green Passion

Illustrated Parts List

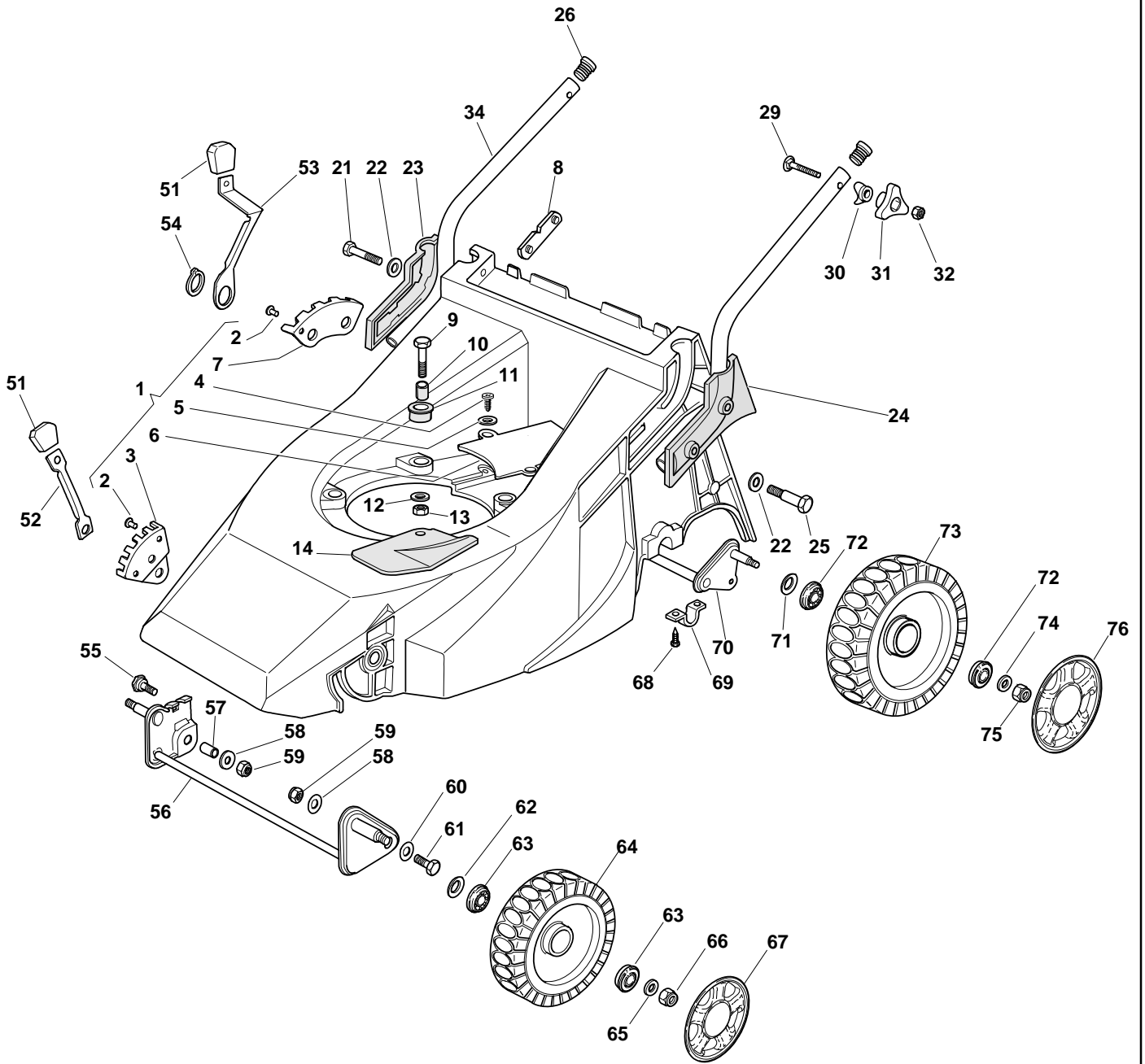
XP 50 BS - Model Year 2009

- Use GLOBAL GARDEN PRODUCT Genuine Spare Parts specified in the parts list for repair and/or replacement.
- The contents described in the parts list may change due to improvement.
- The drawings of the spare parts are only indicative and might not represent the part in question exactly.
- The indications "right" - "left" - "front" - "rear" refer to the position of the operator when using the machine.
- When placing orders of parts for repair and/or replacement, make sure that the illustrated parts list is the one applying to the machine's year of manufacture, as shown on the identification plate attached to the machine.

COPYRIGHT by GLOBAL GARDEN PRODUCTS

All rights reserved. No part of this material may be reproduced or transmitted, in any form or by any means, electronic or mechanical, including photocopying, recording or by any information storage and retrieval system, without permission in writing from GLOBAL GARDEN PRODUCTS.

Chassis





XP 50 BS - Model Year 2009

Chassis

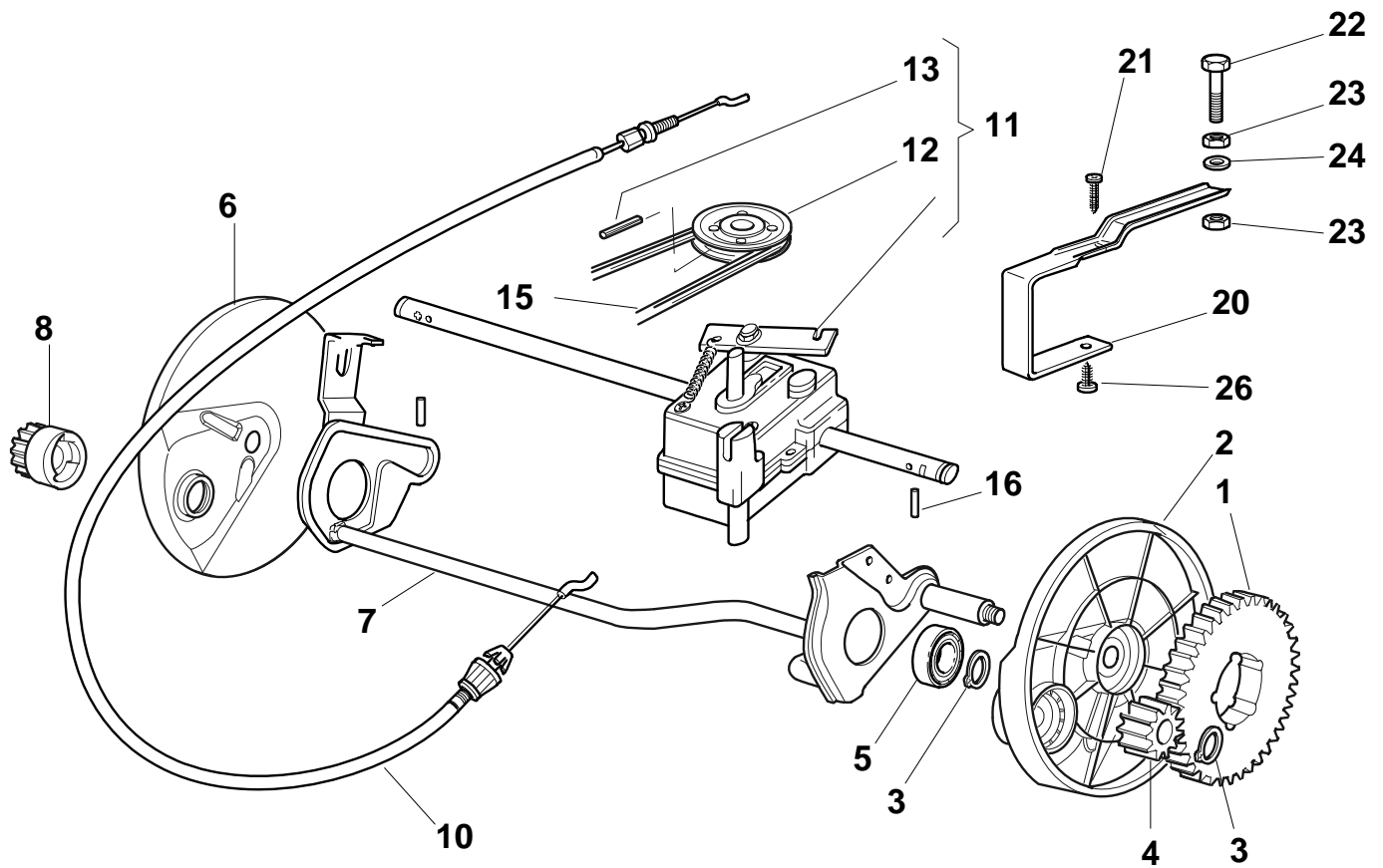
Pos.	Part no.	Q.ty	Description	Remarks
1	81001416/2	1	Deck Red	
2	12500070/0	3	Rivet	
3	22735535/0	1	Sector, Height Adjustment	
4	12728680/0	2	Screw	
5	12523020/0	3	Washer	
6	22060172/0	1	Protection, Belt	
7	22735508/0	1	Sector, Height Adjustment	
8	22551632/1	2	Plate For Handle Fastening	
9	12691800/0	3	Screw	
9	12691900/0	3	Screw	
9	12691900/0	3	Screw	
10	22167840/0	3	Spacer	
11	22040265/0	3	Bush	
12	12523070/0	3	Washer	
13	12155000/0	3	Nut	
14	22484070/1	1	Muffler Guard	
21	12691400/0	2	Screw	
22	12521350/0	4	Washer	
23	22600042/0	1	Protection, R	
24	22600043/0	1	Protection, L	
25	12691900/0	2	Screw	
26	18566110/0	2	Cap	
29	12819120/0	2	SCREW	
30	22680006/1	2	Washer	
31	22399900/0	2	KNOB	
32	12293200/0	2	Nut	
33	81008606/1	1	Outfit, Screws	
34	81006917/0	2	Handle, Lower Part	
51	22400000/1	2	Knob	
52	22321502/1	1	Lever, Height Adjustment	
53	22321497/0	1	Lever, Height Adjustment	
54	12609260/0	1	Ring	
55	22519510/0	1	Pin	
56	81001410/0	1	Axle, Front Wheels	
57	22170950/0	1	R Spacer	
58	12523060/0	2	Washer	
59	12155000/0	2	Nut	
60	12521350/0	2	Washer	
61	22519515/0	1	Pin	
62	12530150/0	2	Washer	
63	22122200/0	4	Bearing	
64	81007336/0	2	Wheel, Knobbly R 170	
65	12521350/0	2	Washer	
66	12155000/0	2	Nut	
67	22110381/0	2	Hub Cap	
67	22110381/0	2	Hub Cap	
68	12735402/0	4	Screw	
69	22545154/0	2	Plate	
70	81000151/0	1	Axle, Rear Wheels	
71	12530150/0	2	Washer	
72	22122200/0	4	Bearing	
73	81007337/0	2	Wheel, Knobbly R 210	
74	12521350/0	2	Washer	
75	12155000/0	2	Nut	
76	22110382/0	2	Hub Cap	
76	22110382/0	2	Hub Cap	



XP 50 BS - Model Year 2009

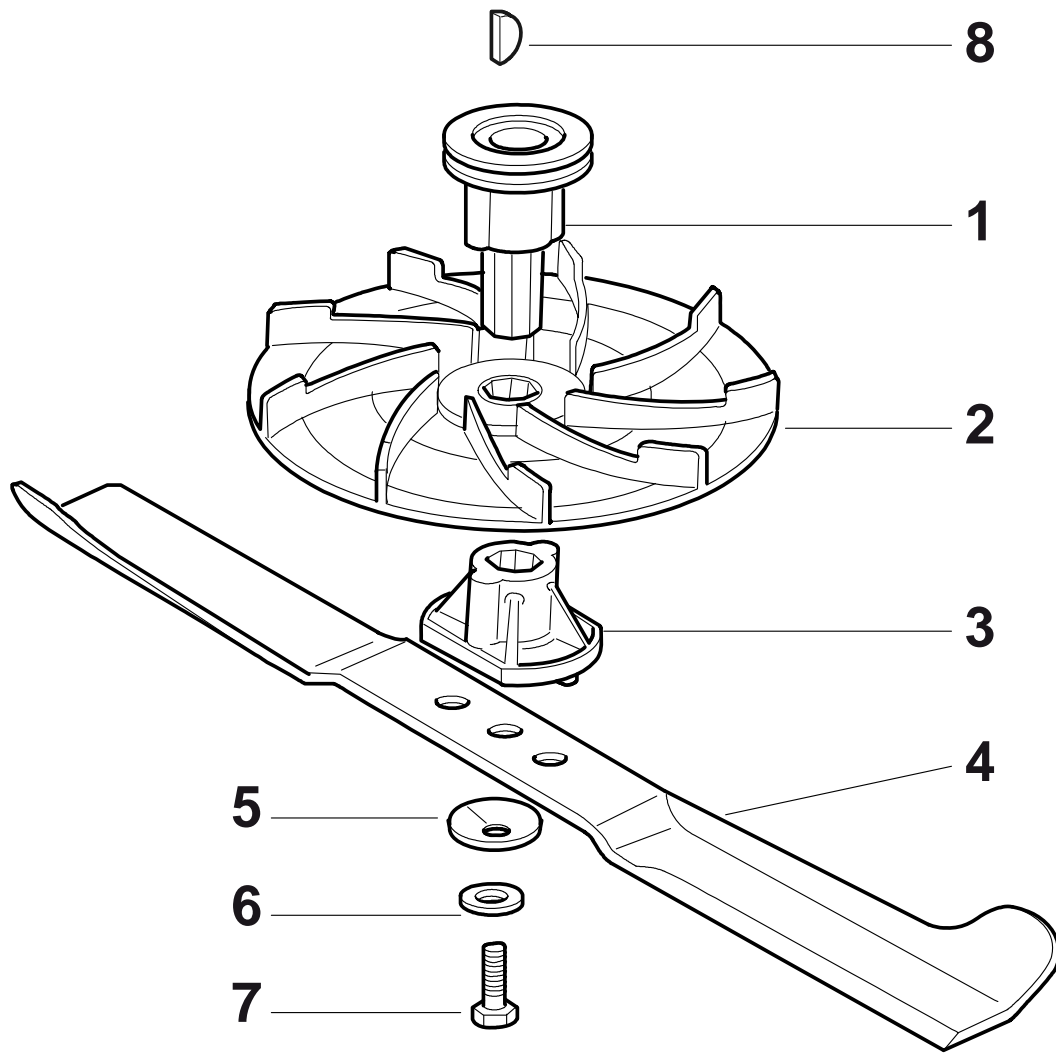
Handle, Upper Part

Pos.	Part no.	Q.ty	Description	Remarks
1	81006857/0	1	Handle, Upper Part	
2	81000633/0	1	Cable, Thread Engine Brake	
2	81000633/0	1	Cable, Thread Engine Brake	
2	81000639/0	1	Cable, Thread Engine Brake	(Honda Gcv 135-160)
2	81000639/0	1	Cable, Thread Engine Brake	(Honda Gcv 135-160)
3	81003291/3	1	Lever, Engine Brake	
4	22041966/0	2	Bush	
6	22291050/0	1	Handgrip Black	
7	22041966/0	2	Bush	
8	81003288/1	1	Lever, Driving	
11	81007160/0	1	Throttle Cable	
12	81007280/2	1	Lever, Throttle	(B&S 625-675-700 Series - Honda - Ggp 140-160-196 cc)
12	81007280/2	1	Lever, Throttle	(B&S 625-675-700 Series - Honda - Ggp 140-160-196 cc)
13	12735105/0	2	Screw	
14	22981467/0	1	Plate	
15	12791500/0	1	Screw	
16	12530060/0	1	Elastic Washer	
17	12508100/0	1	Spring Washer	
18	12523040/0	2	Washer	
19	12154510/0	1	Nut	
21	114356744/1	1	Label	(B&S)
21	114356744/1	1	Label	(B&S)
21	114357646/1	1	Label	(Honda GCV 160-190 Autochoke)
21	114357646/1	1	Label	(Honda GCV 160-190 Autochoke)
22	22943006/0	1	Screw	
23	12728460/0	1	Screw	
24	22430309/0	1	Guide Spring	
25	12154330/0	1	Nut	
26	81008609/0	1	Outfit, Dash-Board Screws	
31	22120173/0	1	Dash Board Red	

Rear Drive


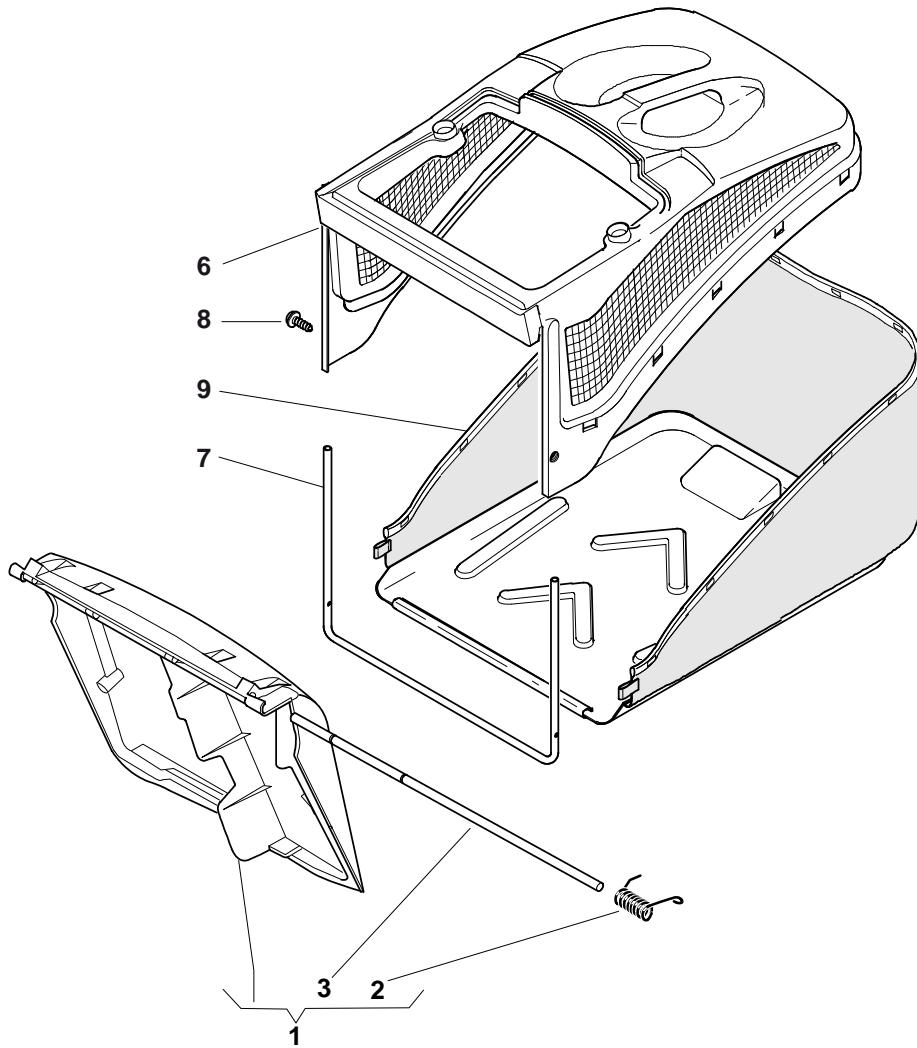
Pos.	Part no.	Q.ty	Description	Remarks
1	22120105/1	2	Ring Gear	
2	22600091/1	1	Protection, Wheel	
3	12608600/0	4	Seeger	
4	22570120/1	1	Pinion L	
5	19216035/0	2	Bearing	
6	22600090/0	1	Protection, R Wheel	
7	81000149/0	1	Axle, Rear Wheels	
8	22570110/1	1	Pinion R	
10	81000674/0	1	Rear Drive	
11	81003099/0	1	Gear Box	
12	22601904/0	1	Pulley	
13	12645705/0	1	Pin	
15	35064100/0	1	Belt	
16	22753000/0	2	Pin	
20	22785111/1	1	Support, Gear Box	
21	12728507/0	1	Screw	
22	12793850/0	1	Screw	
23	12293200/0	2	Nut	
24	12521350/0	1	Washer	
26	12728518/0	1	Screw	

Blade



Pos.	Part no.	Q.ty	Description	Remarks
1	22465605/0	1	Hub Fan, Crankshaft R 22.2	
2	22245080/0	1	Fan	
3	22465604/0	1	Hub	
4	81004346/3	1	Blade Standard	
4	81004346/3	1	Blade Standard	484
4	81004397/0	1	Blade Winged	
4	81004397/0	1	Blade Winged	484
5	22160400/0	1	Elastic Washer	
6	12523080/0	1	Washer	
7	12736820/0	1	Screw	
8	12139100/0	1	Feather, Crankshaft R 22.2	

Grass-Catcher



Pos.	Part no.	Q.ty	Description	Remarks
1	381008042/0	1	Stone-Guard	
2	22451000/0	1	Spring	
3	22517907/0	1	Pin	
6	22486094/0	1	Grass-Box, Upper	
7	22608524/0	1	Stiffening Lower	
8	12728445/0	2	Screw	
9	81002196/0	1	Box, Fabric	