



Green Passion

Illustrated Parts List

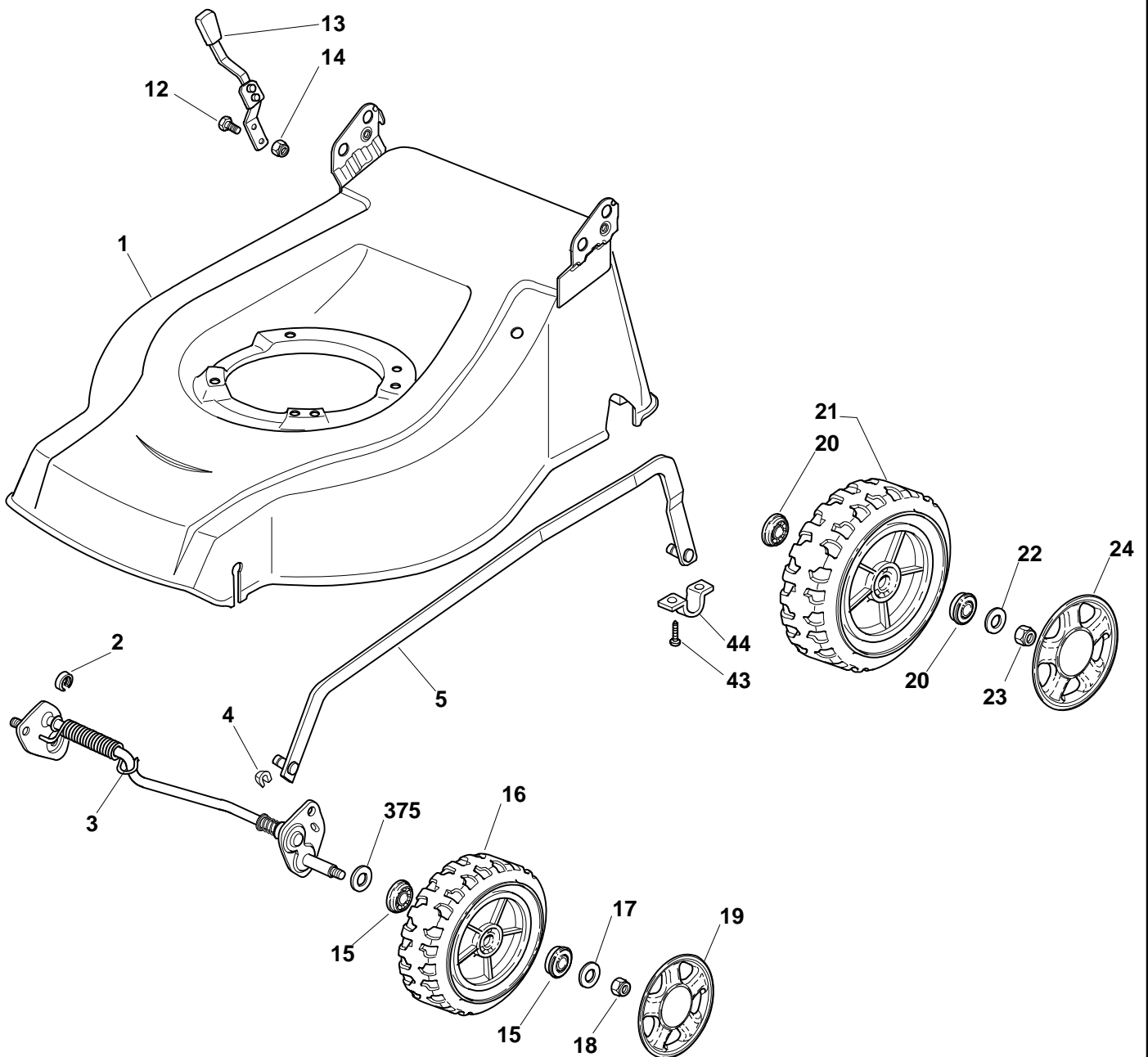
XS 50 ELS - Model Year 2009

- Use GLOBAL GARDEN PRODUCT Genuine Spare Parts specified in the parts list for repair and/or replacement.
- The contents described in the parts list may change due to improvement.
- The drawings of the spare parts are only indicative and might not represent the part in question exactly.
- The indications "right" - "left" - "front" - "rear" refer to the position of the operator when using the machine.
- When placing orders of parts for repair and/or replacement, make sure that the illustrated parts list is the one applying to the machine's year of manufacture, as shown on the identification plate attached to the machine.

COPYRIGHT by GLOBAL GARDEN PRODUCTS

All rights reserved. No part of this material may be reproduced or transmitted, in any form or by any means, electronic or mechanical, including photocopying, recording or by any information storage and retrieval system, without permission in writing from GLOBAL GARDEN PRODUCTS.

Chassis/Wheels And Height Adjusting

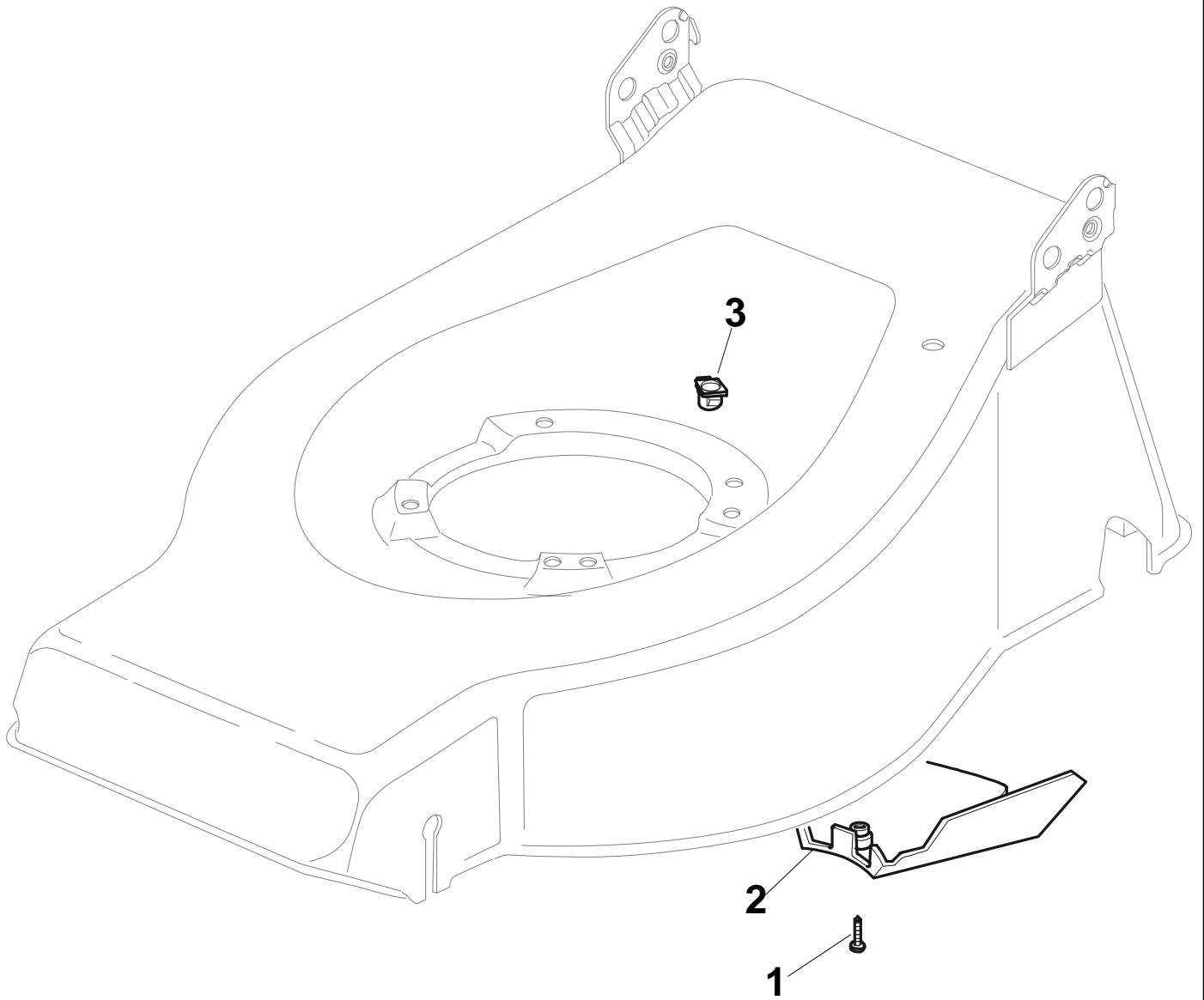




XS 50 ELS - Model Year 2009

Chassis/Wheels And Height Adjusting

Pos.	Part no.	Q.ty	Description	Remarks
1	81002424/1	1	Deck Red	
2	22171002/0	1	Spacer	
3	81000141/1	1	Axle, Front Wheels	
4	112436051/0	2	Plate	
5	381002020/0	1	Rod, Height Adjustment	
12	12789000/0	2	Screw	
13	81003283/1	1	Lever, Height Adjustment	
14	12154320/0	2	Nut	
15	22122200/0	4	Bearing	
16	81007336/0	2	Wheel, Knobbly R 170	
17	12521350/0	2	Washer	
18	12155000/0	2	Nut	
19	22110381/0	2	Hub Cap	
20	22122200/0	4	Bearing	
21	81007337/0	2	Wheel, Knobbly R 210	
22	12521350/0	2	Washer	
23	12155000/0	2	Nut	
24	22110382/0	2	Hub Cap	
25	12530150/0	2	Washer	
43	12731350/0	4	Screw	
44	22545152/0	2	Plate	



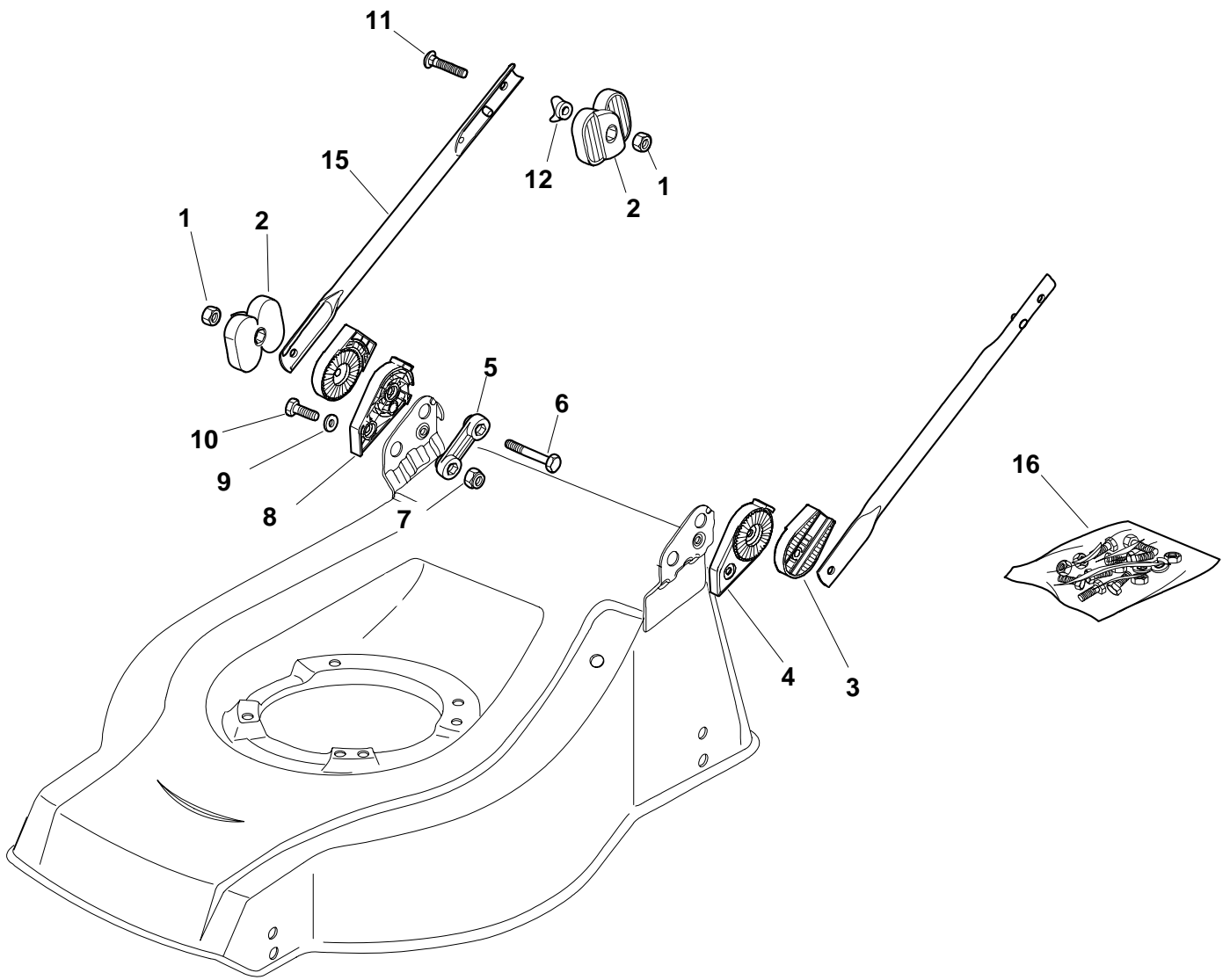


XS 50 ELS - Model Year 2009

Protection, Belt

Pos.	Part no.	Q.ty	Description	Remarks
1	12727791/0	1	Screw	
2	22060180/0	1	Protection, Belt	
3	22291150/0	1	Rubber Insert	

Handle, Lower Part

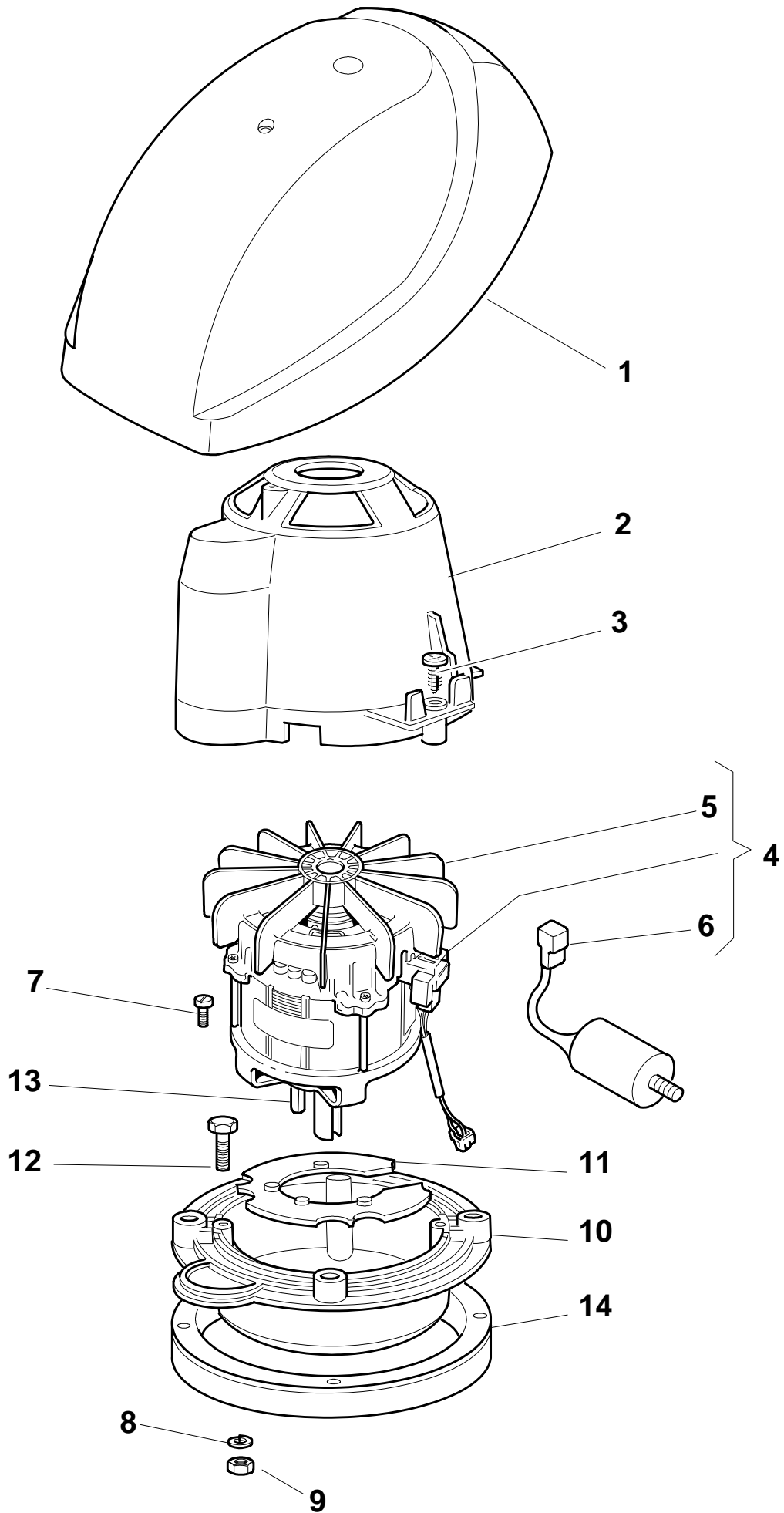




XS 50 ELS - Model Year 2009

Handle, Lower Part

Pos.	Part no.	Q.ty	Description	Remarks
1	12293202/0	4	Nut	
2	22399803/0	4	Knob	
3	22785081/1	2	Support, External	
4	22785083/1	1	Support, L Internal	
5	22551575/0	2	Plate, Inside	
6	12691810/0	2	Screw	
7	12155000/0	2	Nut	
8	22785082/0	1	Support, R Internal	
9	12521350/0	2	Washer	
10	12793301/0	2	Screw	
11	12819125/0	2	Screw	
12	22680006/1	2	Washer	
15	81006531/0	2	Handle, Lower Part	
16	81008633/0	1	Outfit, Screws	



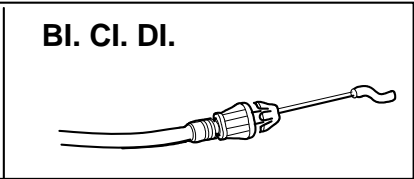
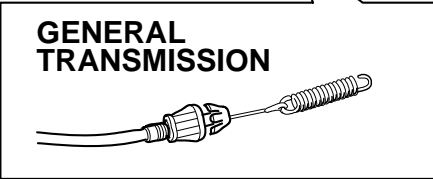
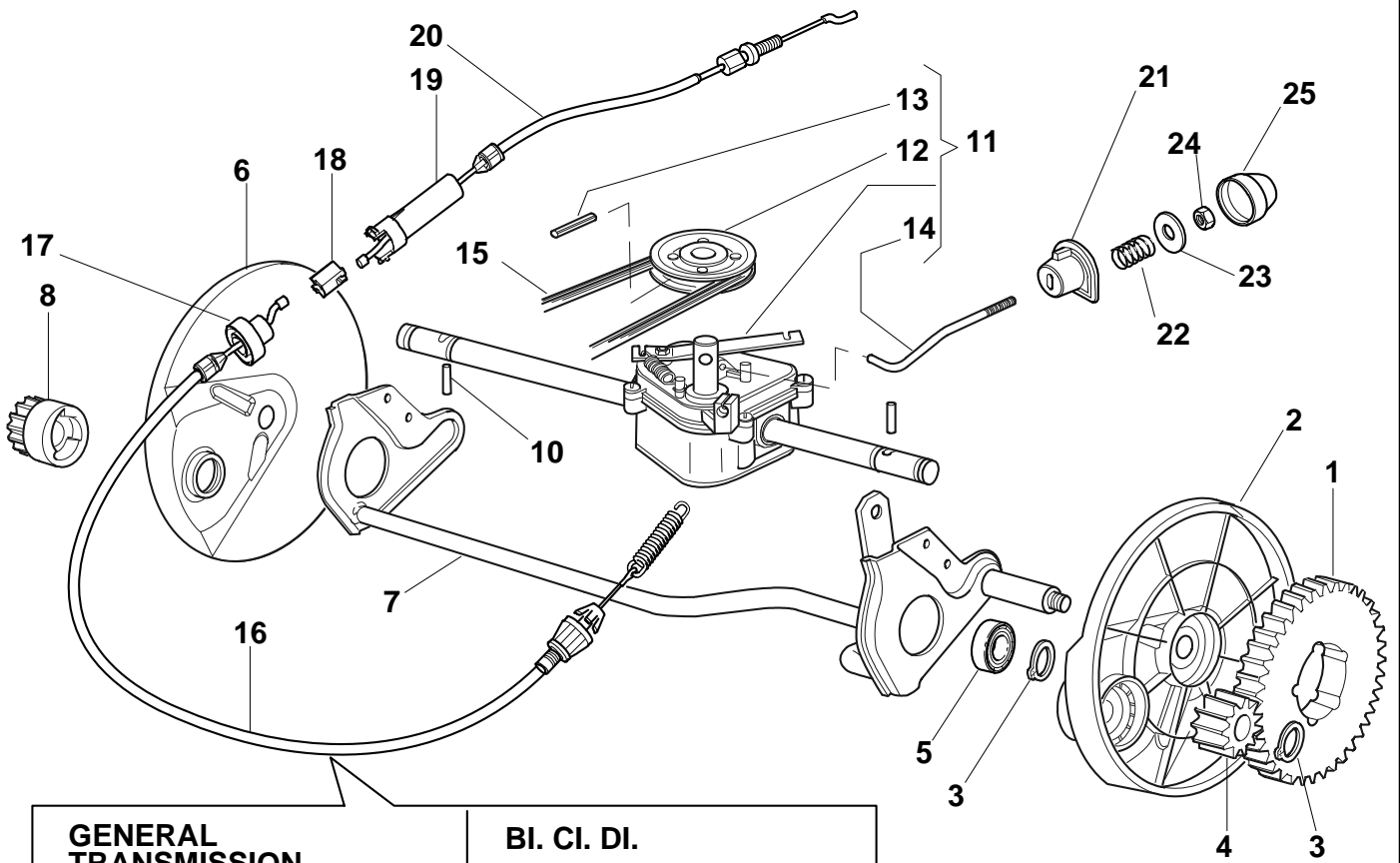


XS 50 ELS - Model Year 2009

Electric Motor

Pos.	Part no.	Q.ty	Description	Remarks
1	22055058/0	1	Cover	
2	22785210/0	1	Support, Cover	
3	12728710/0	4	Screw	
4	18563641/0	1	Motor Atb	230V (1800W)
4	18563641/0	1	Motor Atb	
5	18740054/0	1	Fan Motor Atb	
6	18222039/0	1	Condenser 25 µf	
6	18222039/0	1	Condenser 25 µf	(Atb)
7	12735410/0	4	Screw	
8	12583500/0	4	Grower	
9	12293200/0	4	Nut	
10	322207211/4	1	Flange	
11	322720360/2	1	Ventilation Screen	
12	12691800/0	4	Screw	
13	12139440/0	1	Feather	
14	22170960/1	1	Spacer	
15	12728680/0	2	Screw	

Rear Drive

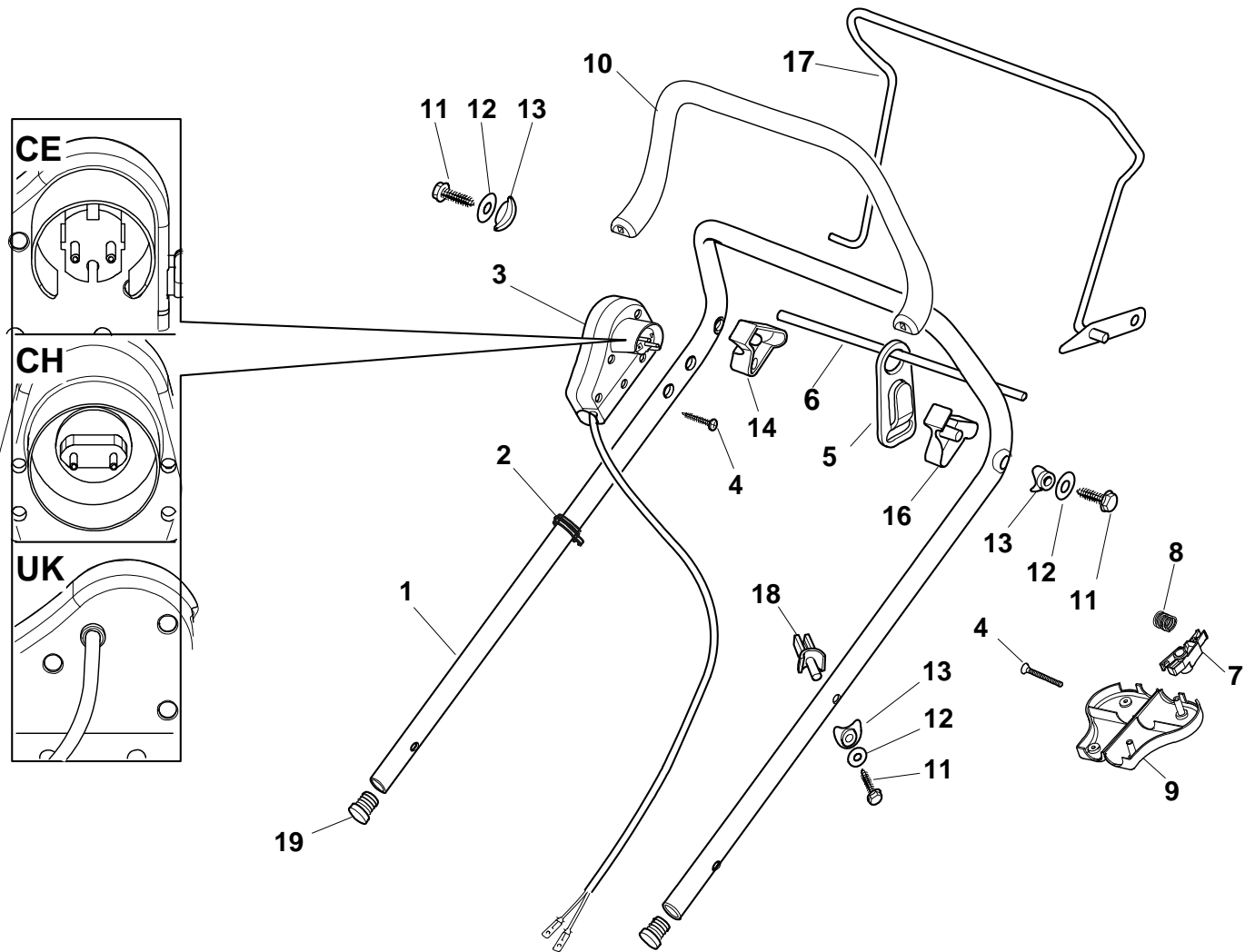




XS 50 ELS - Model Year 2009

Rear Drive

Pos.	Part no.	Q.ty	Description	Remarks
1	22120105/1	2	Ring Gear	
2	22600093/0	1	Protection, L Wheel	
3	12608600/0	4	Seeger	
4	22570120/1	1	Pinion L	
5	19216035/0	2	Bearing	
6	22600092/0	1	Protection, R Wheel	
7	81000147/0	1	Axle, Rear Wheels	
8	22570110/1	1	Pinion R	
10	22753000/0	2	Pin	
11	81003076/0	1	Gear Box	
11	81003081/1	1	Gear Box (Grey)	
12	22601904/0	1	Pulley	
13	12645705/0	1	Pin	
14	22033280/0	1	Adjustment Rod	
14	22033283/0	1	Adjustment Rod	
15	35063800/0	1	Belt Z 27	
16	81000671/0	1	Cable, Rear Drive Lower	
16	81000676/0	1	Cable, Rear Drive Lower	
17	22246031/0	1	Lower Joint	
18	22042040/0	1	Isolation Compass	
19	22246030/0	1	Upper Joint	
20	81001150/0	1	Cable, Rear Drive Upper	
21	22041957/1	1	Bush	
22	22450063/0	1	Spring	
23	22680009/0	1	Washer	
24	12154510/0	1	Nut	
25	22110230/0	1	Cap	



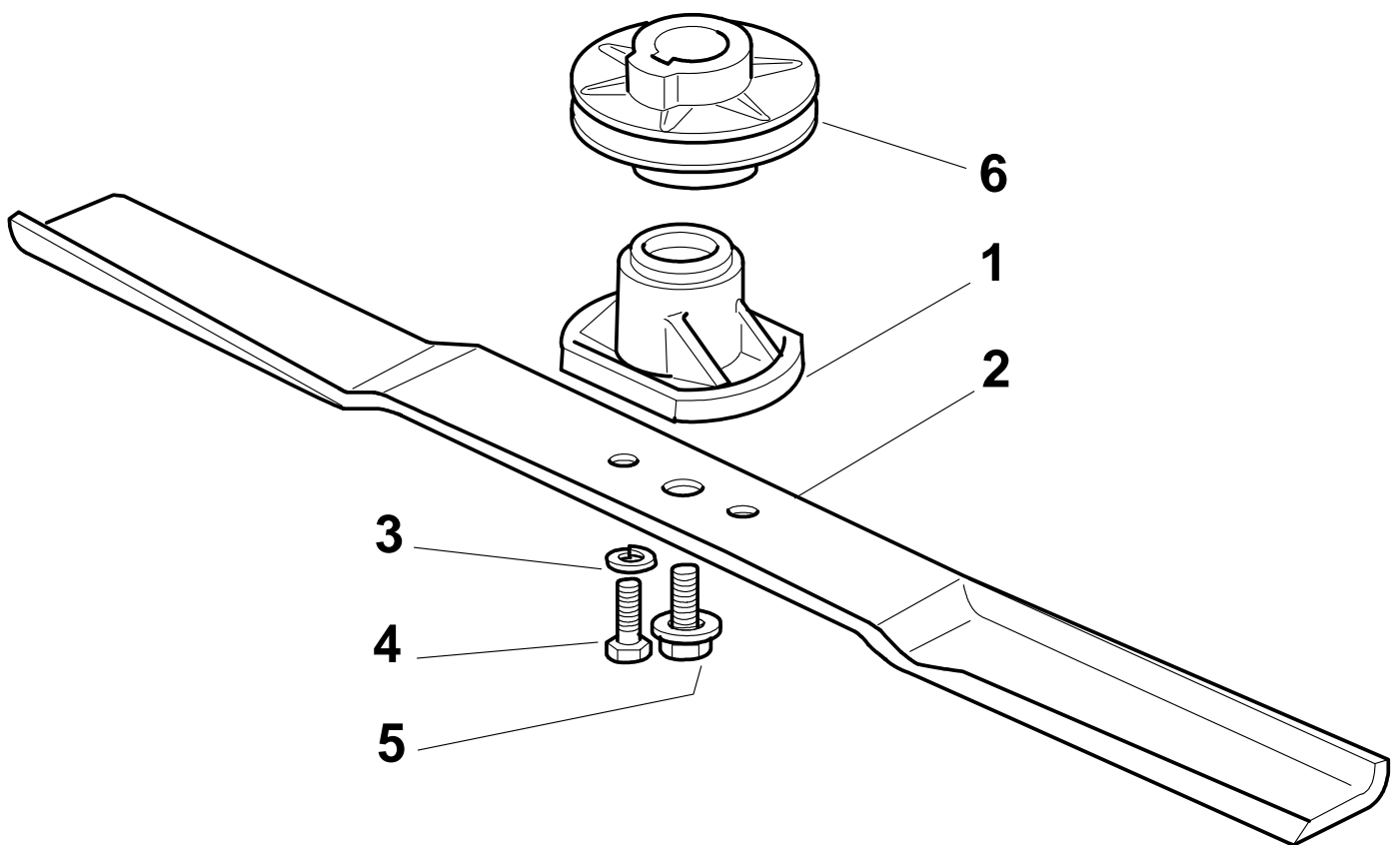


XS 50 ELS - Model Year 2009

Handle, Upper Part

Pos.	Part no.	Q.ty	Description	Remarks
1	81006604/0	1	Handle, Upper Part	
2	22192000/1	2	Clamp	
3	381600503/2	1	Dead Hand Switch	CE
3	381600503/2	1	Dead Hand Switch	
3	381600504/2	1	Dead Hand Switch	
3	381600504/2	1	Dead Hand Switch	CH
3	381600505/2	1	Dead Hand Switch	UK
3	381600505/2	1	Dead Hand Switch	
4	12728701/0	4	Screw	
5	22195101/4	1	Fairlead	
6	22010251/0	1	Rod, Fairlead Bearing	
7	322230350/1	1	Fulcrum Pin	
8	22450115/0	1	Spring	
9	22785144/0	1	Support	
10	322322881/1	1	Lever, Engine Brake	
11	12735103/0	3	Screw	
12	12523040/0	3	Washer	
13	22680006/1	3	Washer	
14	322806518/2	1	Support, R	
15	22020320/0	1	Fairlead Bearing	
16	322806519/2	1	Support, L	
17	81001245/1	1	Driving Lever	
18	22806520/0	1	Support, Adjuster	
19	18566112/0	2	CAP	

Blade

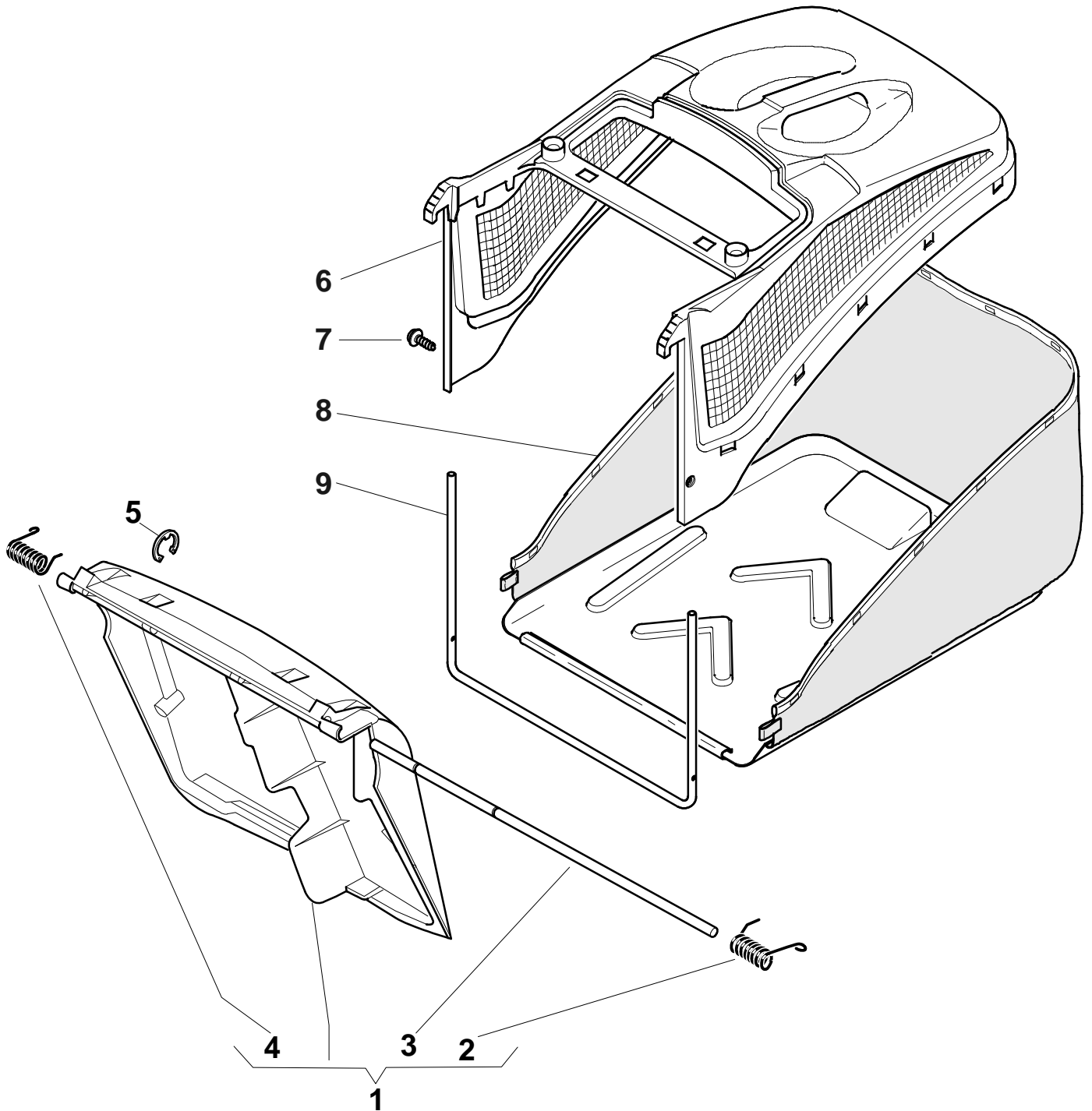




XS 50 ELS - Model Year 2009

Blade

Pos.	Part no.	Q.ty	Description	Remarks
1	322463186/3	1	Hub	
2	81004346/3	1	Blade Standard	480
2	81004346/3	1	Blade Standard	
2	81004397/0	1	Blade Winged	480
2	81004397/0	1	Blade Winged	
3	12583500/0	2	Grower	
4	12793101/0	2	Screw	
5	81004352/0	1	Screw	
6	22601911/1	1	Pulley	





XS 50 ELS - Model Year 2009

Grass-Catcher

Pos.	Part no.	Q.ty	Description	Remarks
1	381008021/1	1	Stone-Guard	
2	22450410/1	1	R Spring	
3	22517906/1	1	Pin	
4	22450420/1	1	L Spring	
5	12000930/0	1	Snap Ring	
6	22486093/0	1	Grass-Box, Upper	
7	12728445/0	2	Screw	
8	81002195/0	1	Box, Fabric	
9	22608523/0	1	Stiffening Lower	