



Green Passion

Illustrated Parts List

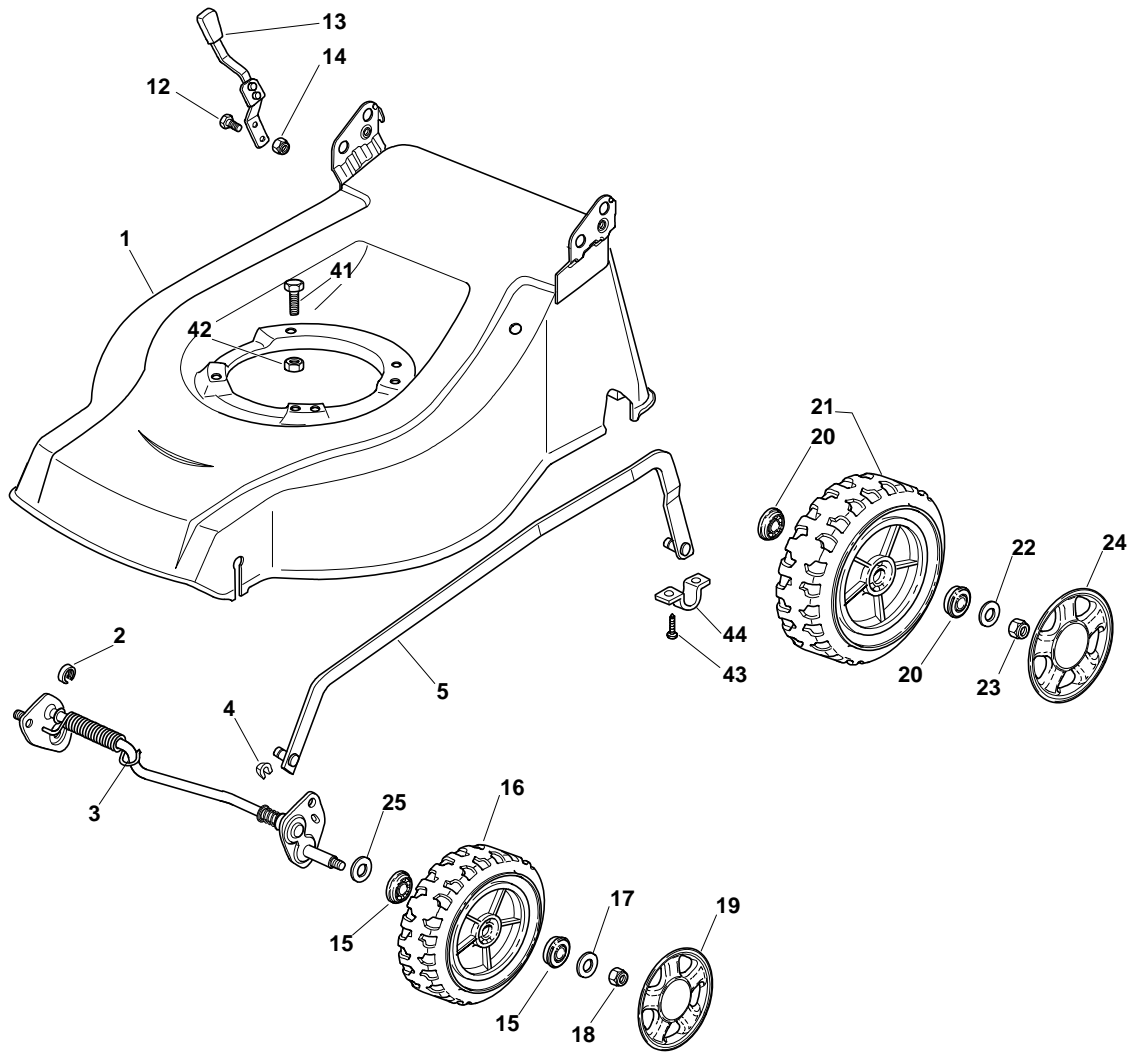
XS 50 MGS - Model Year 2009

- Use GLOBAL GARDEN PRODUCT Genuine Spare Parts specified in the parts list for repair and/or replacement.
- The contents described in the parts list may change due to improvement.
- The drawings of the spare parts are only indicative and might not represent the part in question exactly.
- The indications "right" - "left" - "front" - "rear" refer to the position of the operator when using the machine.
- When placing orders of parts for repair and/or replacement, make sure that the illustrated parts list is the one applying to the machine's year of manufacture, as shown on the identification plate attached to the machine.

COPYRIGHT by GLOBAL GARDEN PRODUCTS

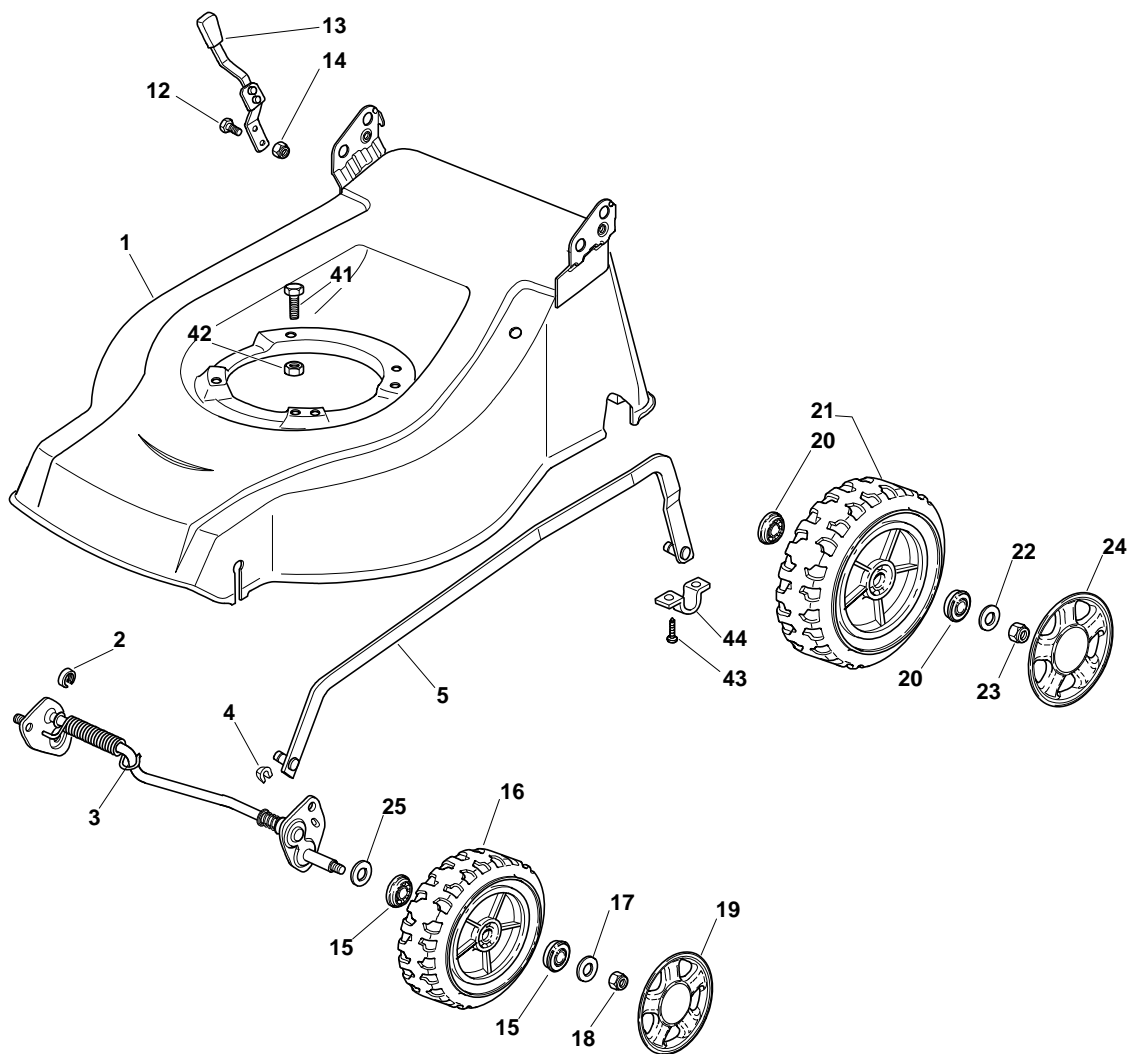
All rights reserved. No part of this material may be reproduced or transmitted, in any form or by any means, electronic or mechanical, including photocopying, recording or by any information storage and retrieval system, without permission in writing from GLOBAL GARDEN PRODUCTS.

Chassis/Wheels And Height Adjusting



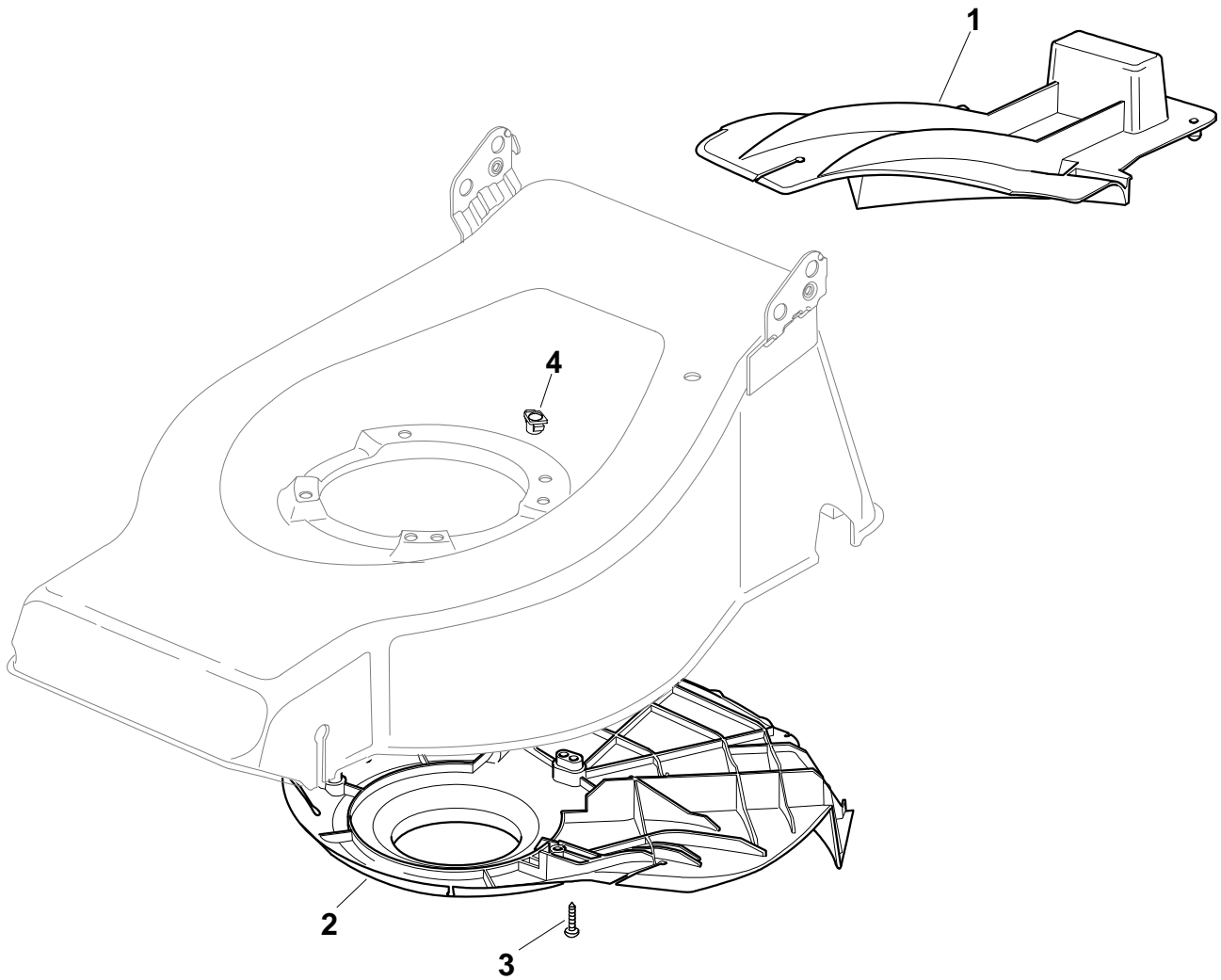
Pos.	Part no.	Q.ty	Description	Remarks
1	81002424/1	1	Deck Red	484
1	81002424/1	1	Deck Red	
2	22171002/0	1	Spacer	
3	81000141/1	1	Axle, Front Wheels	484
3	81000141/1	1	Axle, Front Wheels	
4	112436051/0	2	Plate	
5	381002020/0	1	Rod, Height Adjustment	484
5	381002020/0	1	Rod, Height Adjustment	
12	12789000/0	2	Screw	
13	81003283/1	1	Lever, Height Adjustment	
14	12154320/0	2	Nut	
15	22122200/0	4	Bearing	
16	81007336/0	2	Wheel, Knobbly R 170	
17	12521350/0	2	Washer	
18	12155000/0	2	Nut	
19	22110381/0	2	Hub Cap	
20	22122200/0	4	Bearing	
21	81007337/0	2	Wheel, Knobbly R 210	
22	12521350/0	2	Washer	
23	12155000/0	2	Nut	
24	22110382/0	2	Hub Cap	
25	12530150/0	2	Washer	
41	12691800/0	1	Screw	
41	12793701/0	3	Screw	
42	12155000/0	1	Nut	

Chassis/Wheels And Height Adjusting



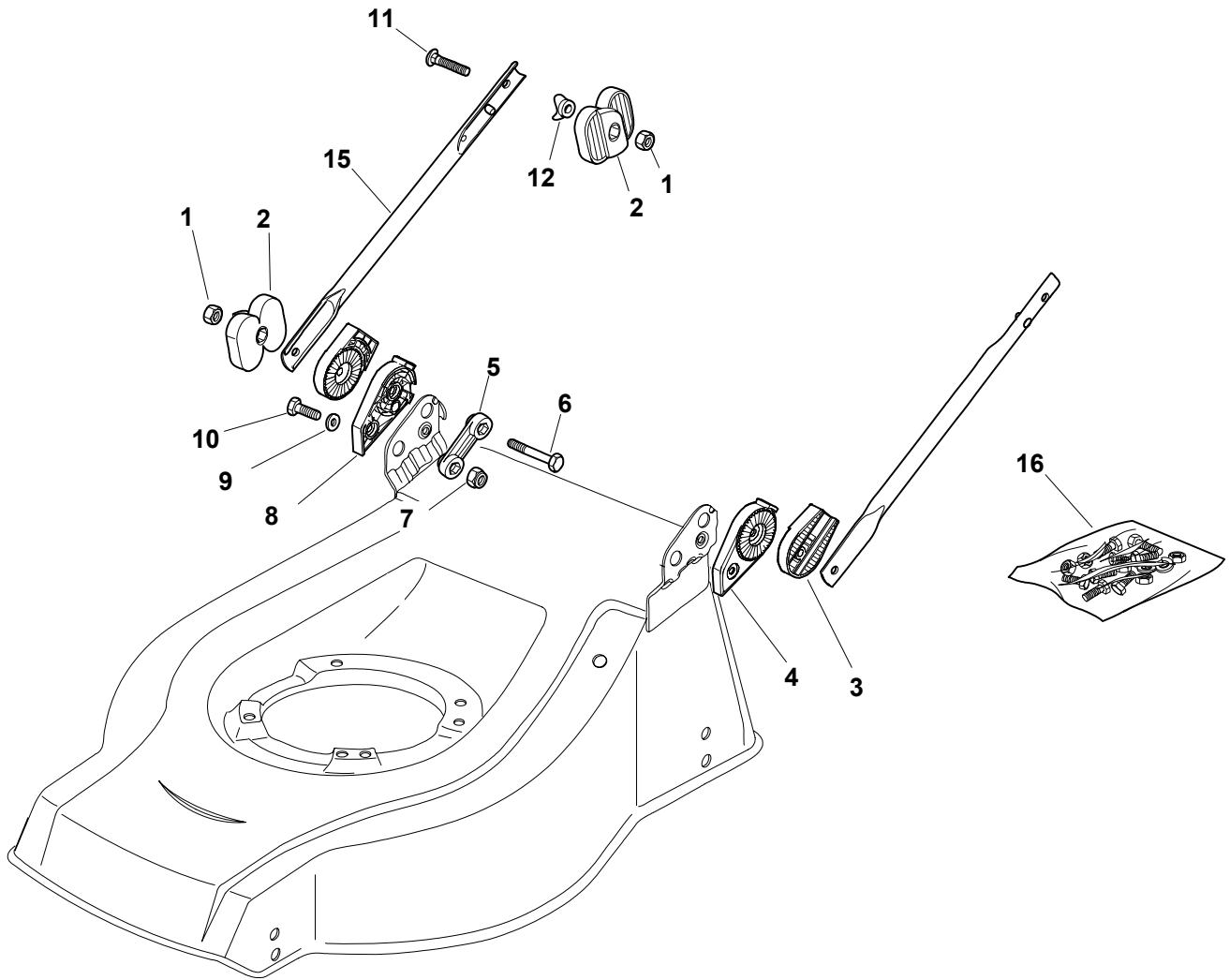
Pos.	Part no.	Q.ty	Description	Remarks
42	12293201/0	3	Nut	
43	12731350/0	4	Screw	
44	22545152/0	2	Plate	

Protection, Belt

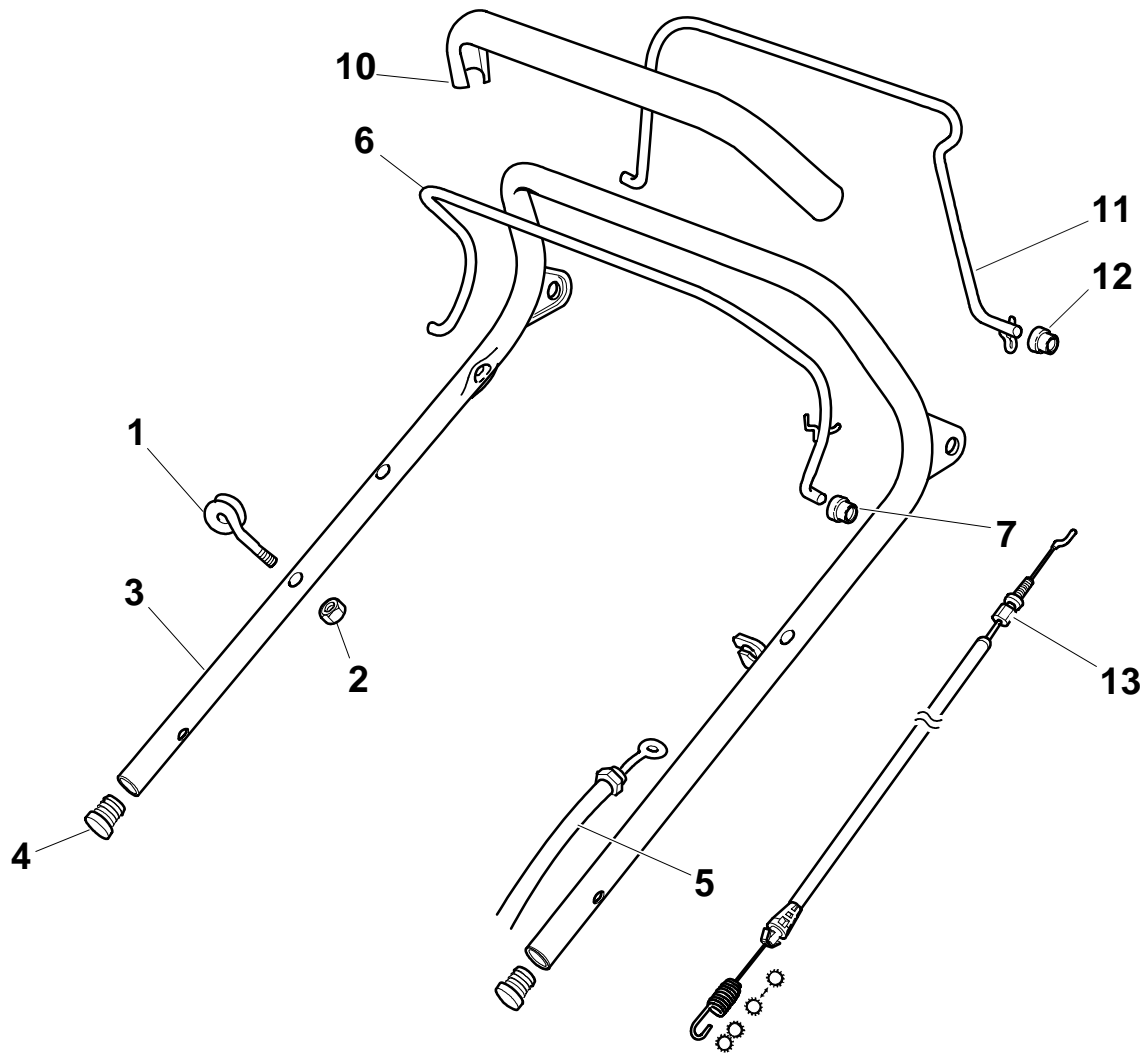


Pos.	Part no.	Q.ty	Description	Remarks
1	22140223/0	1	Deflector	
1	22140223/0	1	Deflector	484
2	22060199/0	1	Protection	
2	22060199/0	1	Protection	484
3	12728530/0	3	Screw	
4	22291150/0	1	Rubber Insert	

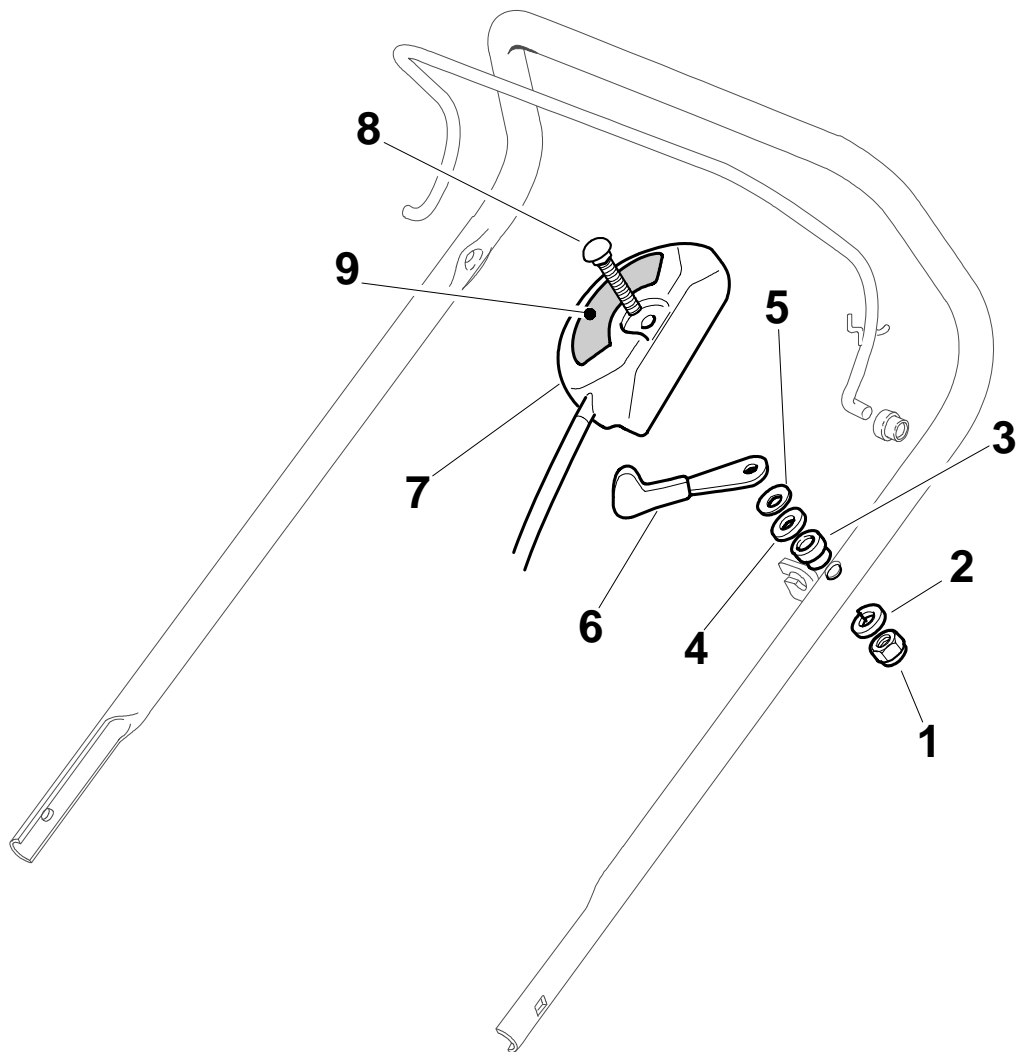
Handle, Lower Part



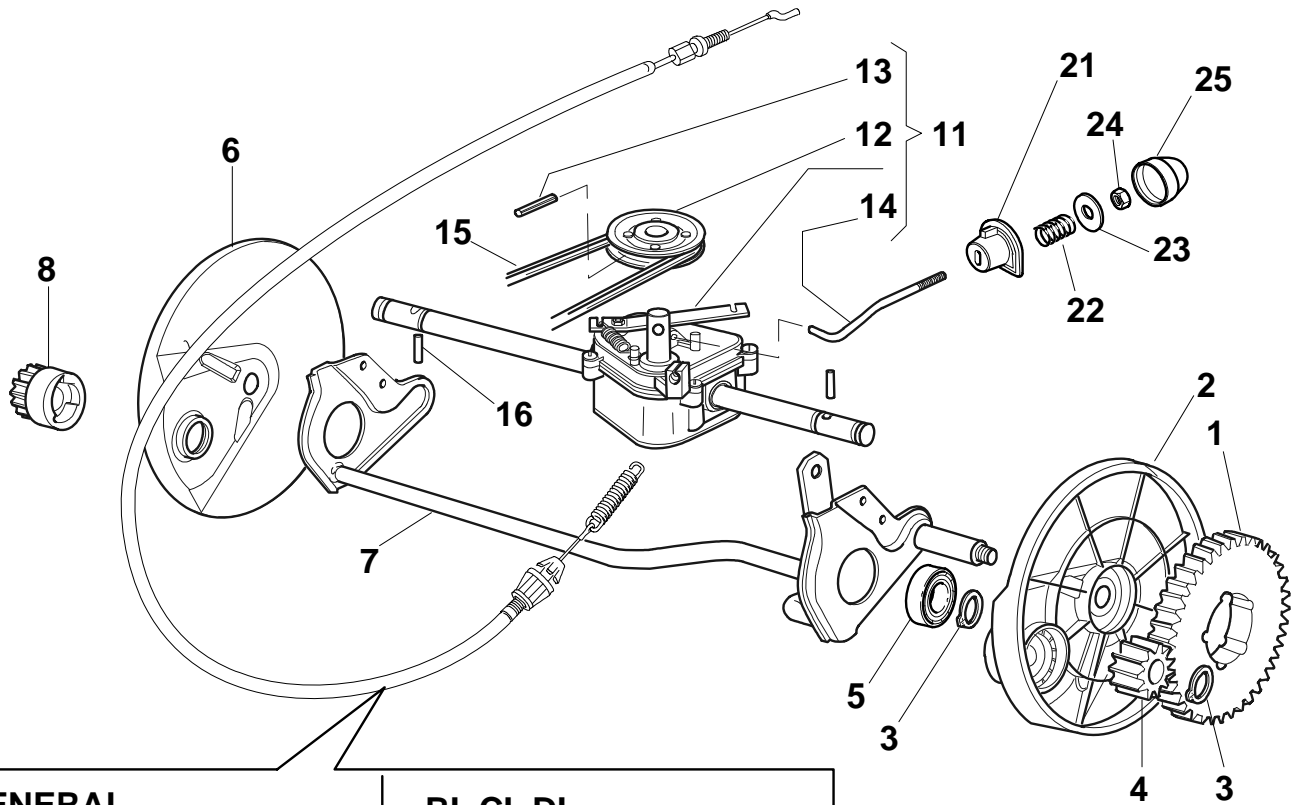
Pos.	Part no.	Q.ty	Description	Remarks
1	12293202/0	4	Nut	
2	22399803/0	4	Knob	
3	22785081/1	2	Support, External	
4	22785083/1	1	Support, L Internal	
5	22551575/0	2	Plate, Inside	
6	12691810/0	2	Screw	
7	12155000/0	2	Nut	
8	22785082/0	1	Support, R Internal	
9	12521350/0	2	Washer	
10	12793301/0	2	Screw	
11	12819125/0	2	Screw	
12	22680006/1	2	Washer	
15	81006531/0	2	Handle, Lower Part	
16	81008633/0	1	Outfit, Screws	

Handle, Upper Part


Pos.	Part no.	Q.ty	Description	Remarks
1	22430309/0	1	Guide Spring	
2	12154330/0	1	Nut	
3	81006981/0	1	Handle, Upper Part	
4	18566112/0	2	CAP	
5	81000611/0	1	Cable, Thread Engine Brake	(Ggp 150cc)
5	81000611/0	1	Cable, Thread Engine Brake	
5	81000641/0	1	Cable, Thread Engine Brake	
5	81000641/0	1	Cable, Thread Engine Brake	484 (Honda Gcv 135-160)
5	81000642/1	1	Cable, Thread Engine Brake	
5	81000642/1	1	Cable, Thread Engine Brake	484 (B&S 625-675 Series)
5	81000757/0	1	Cable, Thread Engine Brake	
5	81000757/0	1	Cable, Thread Engine Brake	484 (Ggp 160cc)
5	81000757/0	1	Cable, Thread Engine Brake	484 (Ggp 196cc)
5	81000757/0	1	Cable, Thread Engine Brake	484 (Ggp 140cc)
6	81003291/3	1	Lever, Engine Brake	
7	22041966/0	2	Bush	
10	22291050/0	1	Handgrip Black	
11	22041965/1	2	Bush	
12	81003288/1	1	Lever, Driving	
13	81000668/1	1	Cable, Rear Drive	(General Transmission)
13	81000668/1	1	Cable, Rear Drive	
13	81000672/0	1	Cable, Rear Drive	(Bi Ci Di)
13	81000672/0	1	Cable, Rear Drive	

Controls


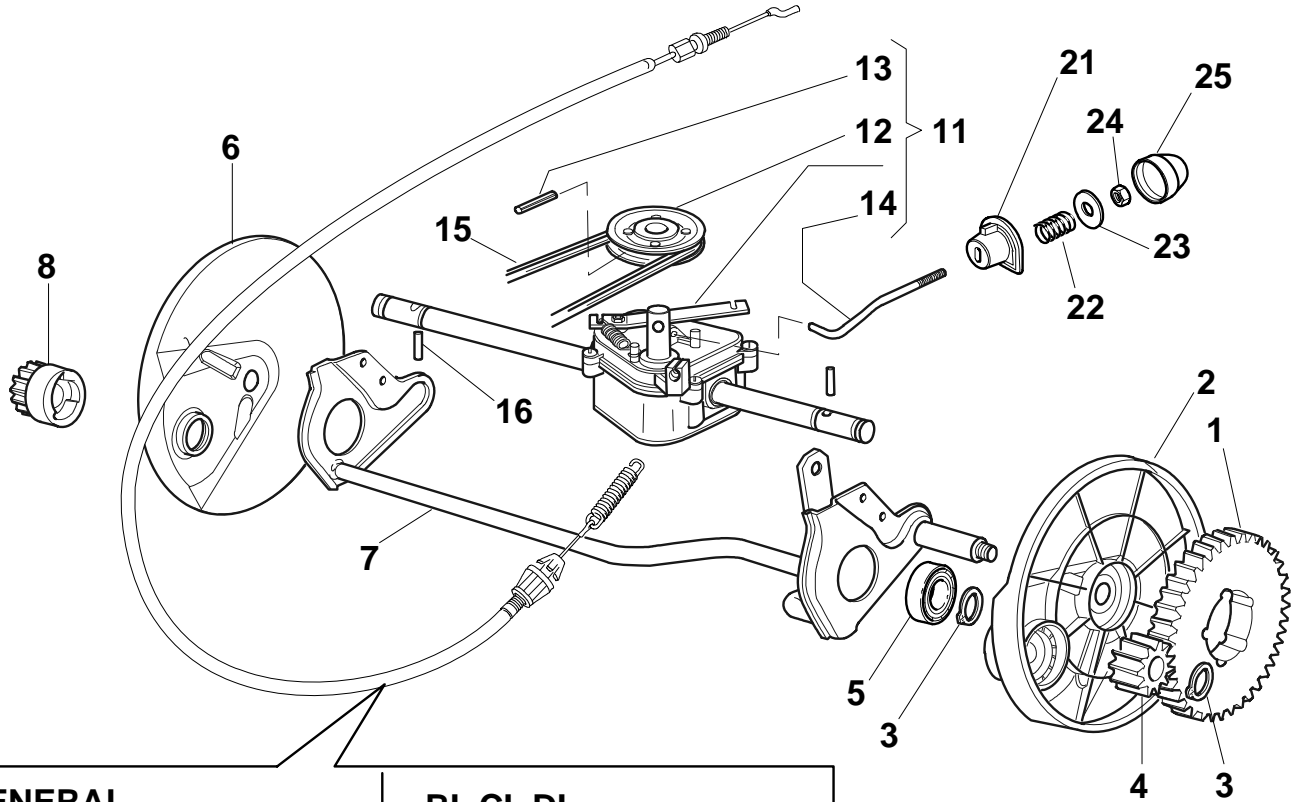
Pos.	Part no.	Q.ty	Description	Remarks
1	12291000/0	1	Nut	
2	12581500/0	1	Grower	
3	22171005/0	1	Spacer	
4	12521360/0	1	Washer	
5	12508100/0	1	Spring Washer	
6	81007220/0	1	Lever, Throttle	(B&S 450-500 Series - Ggp 150 cc)
6	81007220/0	1	Lever, Throttle	
6	81007279/1	1	Lever, Throttle	
6	81007279/1	1	Lever, Throttle	(B&S 625-675-700 Series - Honda - Ggp 140-160-196 cc)
7	81007080/0	1	Throttle Cable	
8	12815000/0	1	Screw	
9	114356905/0	1	Label	(Honda GCV 160-190 Autochoke)
9	114356905/0	1	Label	(B&S 700 series DOV)
9	114356905/0	1	Label	
9	114364264/0	1	Label	
9	114364264/0	1	Label	AVS (GGP 160-196)
9	14356702/0	1	Label	(Honda)
9	14356702/0	1	Label	
9	14356702/0	1	Label	(GGP)
9	14356703/0	1	Label	(B&S)
9	14356703/0	1	Label	

Rear Drive

**GENERAL
TRANSMISSION**

BI. CI. DI.


Pos.	Part no.	Q.ty	Description	Remarks
1	22120105/1	2	Ring Gear	
2	22600093/0	1	Protection, L Wheel	
3	12608600/0	4	Seeger	
4	22570120/1	1	Pinion L	
5	19216035/0	2	Bearing	
6	22600092/0	1	Protection, R Wheel	
7	81000147/0	1	Axle, Rear Wheels	
8	22570110/1	1	Pinion R	
11	81003076/0	1	Gear Box	(General Transmission)
11	81003076/0	1	Gear Box	
11	81003081/1	1	Gear Box (Grey)	(Bi Ci Di)
11	81003081/1	1	Gear Box (Grey)	
12	22601904/0	1	Pulley	
13	12645705/0	1	Pin	
14	22033280/0	1	Adjustment Rod	
14	22033280/0	1	Adjustment Rod	(Bi Ci Di)
14	22033283/0	1	Adjustment Rod	
14	22033283/0	1	Adjustment Rod	(General Transmission)
15	35063800/0	1	Belt Z 27	484
15	35063800/0	1	Belt Z 27	
16	22753000/0	2	Pin	
21	22041957/1	1	Bush	
22	22450063/0	1	Spring	
23	22680009/0	1	Washer	
24	12154510/0	1	Nut	

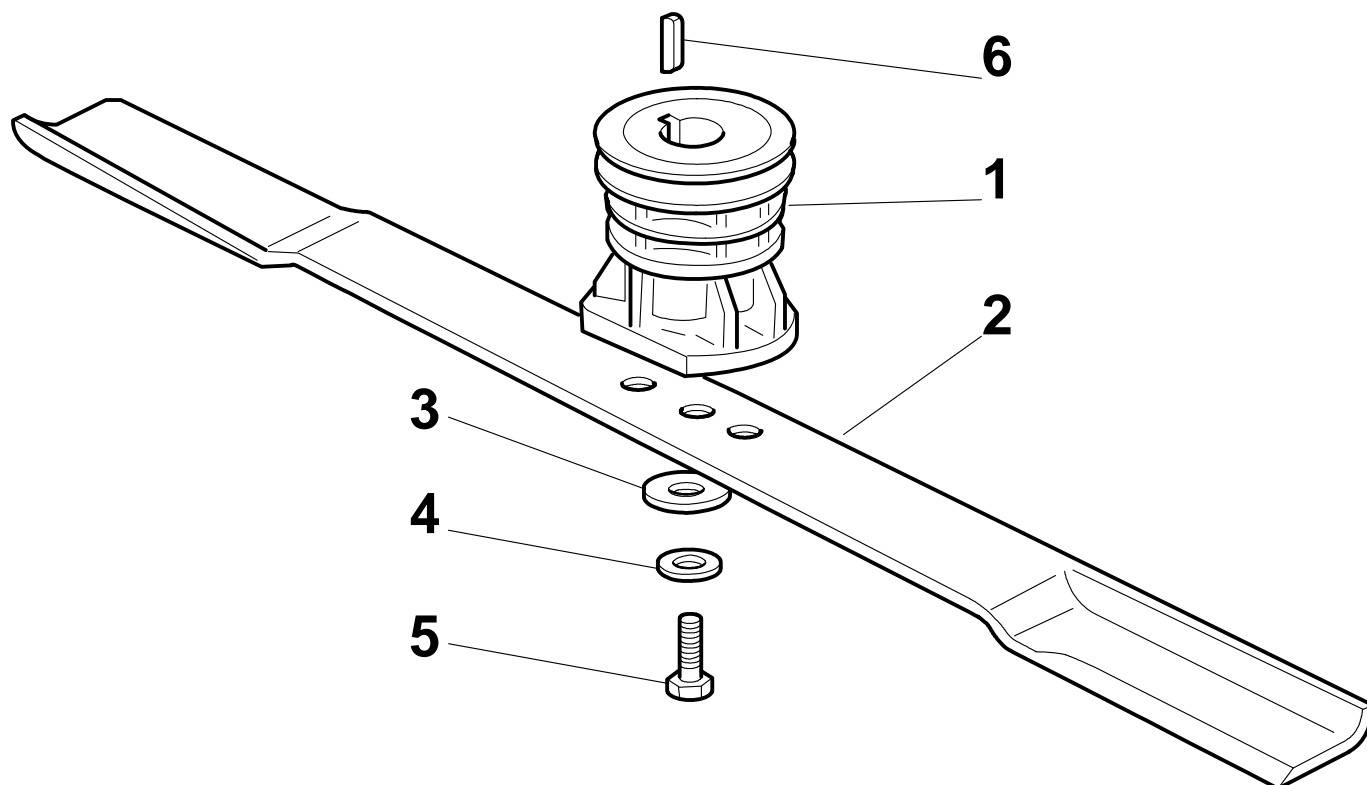
Rear Drive



<p>GENERAL TRANSMISSION</p>	<p>BI. CI. DI.</p>
------------------------------------	---------------------------

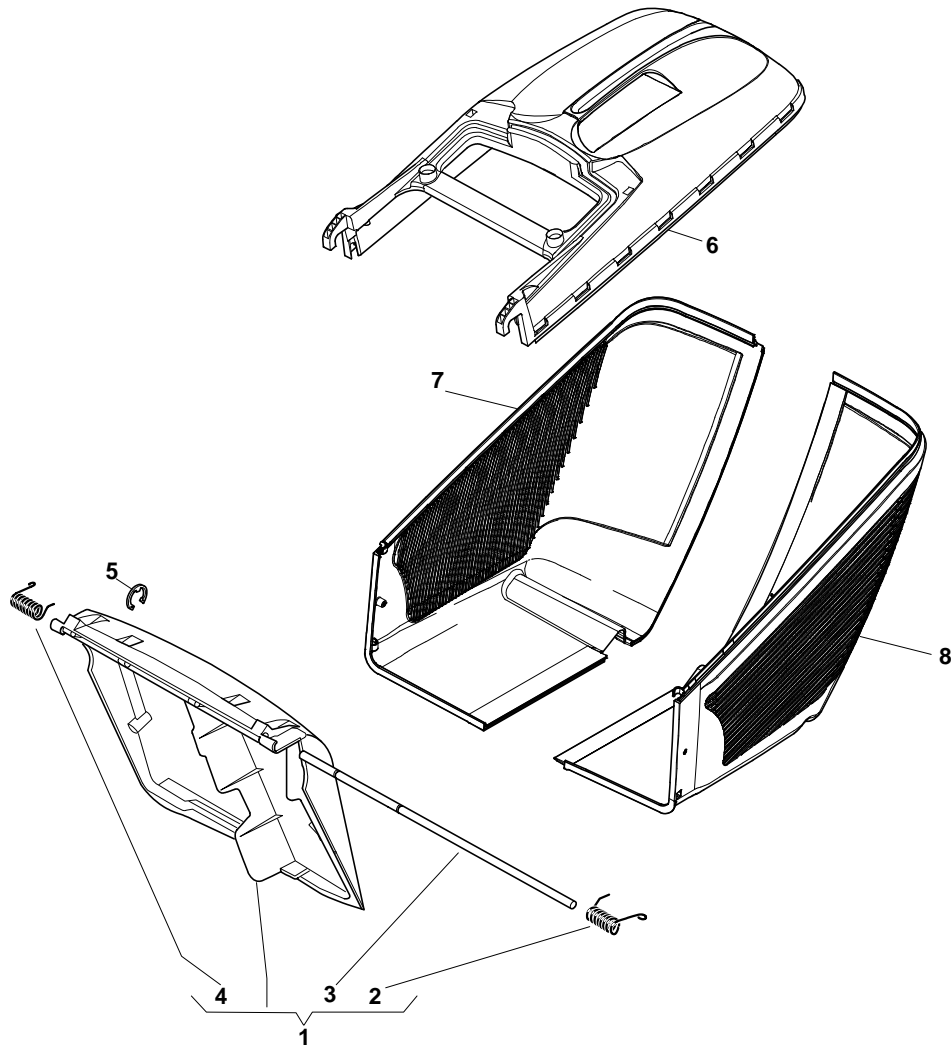
Pos.	Part no.	Q.ty	Description	Remarks
------	----------	------	-------------	---------

25	22110230/0	1	Cap	
----	------------	---	-----	--

Blade


Pos.	Part no.	Q.ty	Description	Remarks
1	22465607/2	1	Hub With Pulley, Crankshaft Ř 22.2	
2	81004346/3	1	Blade Standard	
2	81004346/3	1	Blade Standard	484
2	81004397/0	1	Blade Winged	
2	81004397/0	1	Blade Winged	484
3	22160400/0	1	Elastic Washer	
4	12523080/0	1	Washer	
5	12735698/0	1	Screw	
6	12139100/0	1	Feather, Crankshaft Ř 22.2	

Grass-Catcher



Pos.	Part no.	Q.ty	Description	Remarks
1	381008021/1	1	Stone-Guard	
2	22450420/1	1	L Spring	
3	22517906/1	1	Pin	
4	22450410/1	1	R Spring	
5	12000930/0	1	Snap Ring	
6	22486101/0	1	Grass-Box, Upper	
7	322486150/1	1	Grass-Box, R Lower	
8	322486151/1	1	Grass-Box, L Lower	
11	322486150/1	1	Grass-Box, R Lower	
12	322486151/1	1	Grass-Box, L Lower	