



Green Passion

Illustrated Parts List

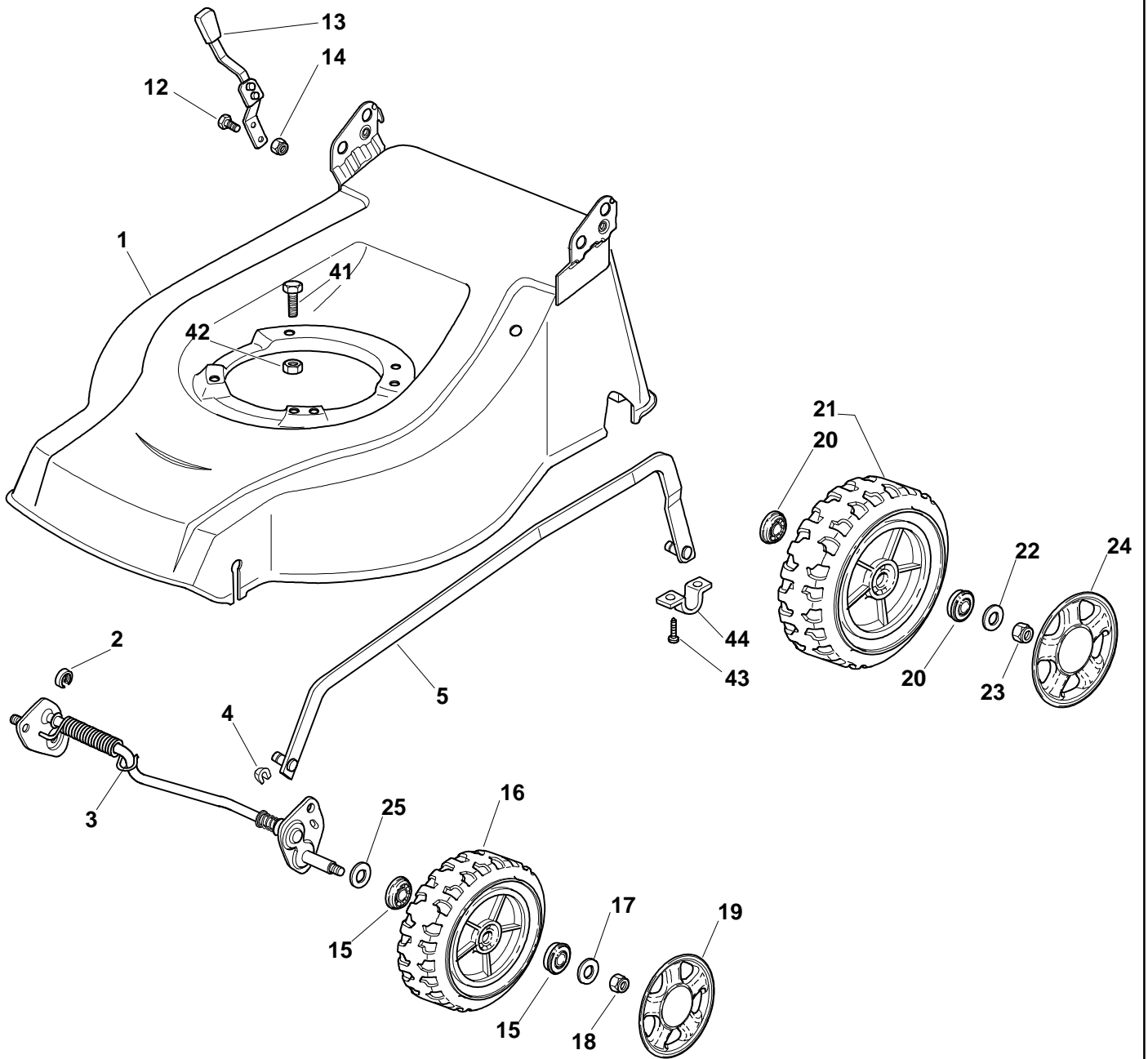
XS 50 MHS - Model Year 2010

- Use GLOBAL GARDEN PRODUCT Genuine Spare Parts specified in the parts list for repair and/or replacement.
- The contents described in the parts list may change due to improvement.
- The drawings of the spare parts are only indicative and might not represent the part in question exactly.
- The indications "right" - "left" - "front" - "rear" refer to the position of the operator when using the machine.
- When placing orders of parts for repair and/or replacement, make sure that the illustrated parts list is the one applying to the machine's year of manufacture, as shown on the identification plate attached to the machine.

COPYRIGHT by GLOBAL GARDEN PRODUCTS

All rights reserved. No part of this material may be reproduced or transmitted, in any form or by any means, electronic or mechanical, including photocopying, recording or by any information storage and retrieval system, without permission in writing from GLOBAL GARDEN PRODUCTS.

Chassis/Wheels And Height Adjusting



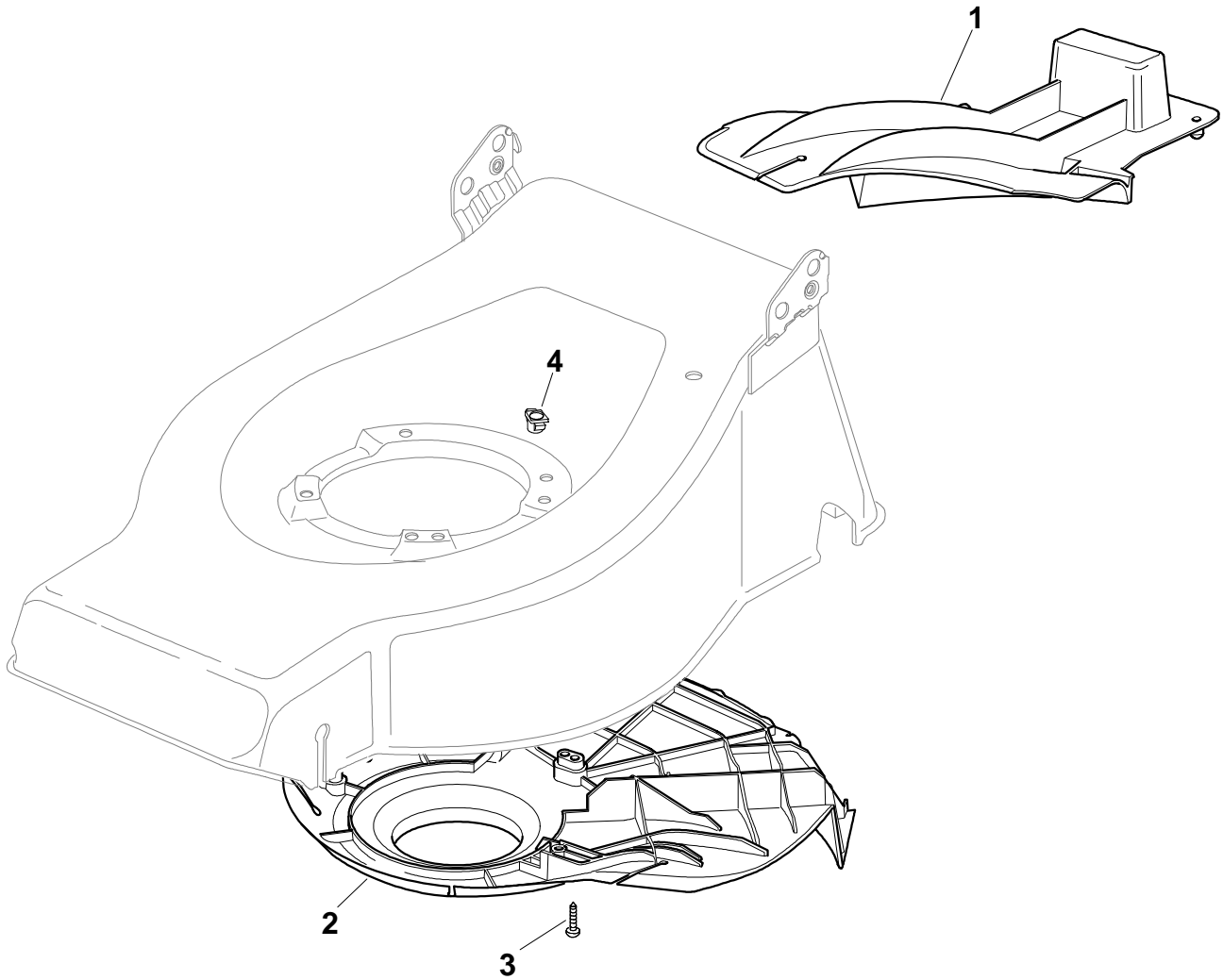


XS 50 MHS - Model Year 2010

Chassis/Wheels And Height Adjusting

Pos.	Part no.	Q.ty	Description	Remarks
1	81002424/1	1	Deck Red	484
1	81002424/1	1	Deck Red	
2	22171002/0	1	Spacer	
3	81000141/1	1	Axle, Front Wheels	
3	81000141/1	1	Axle, Front Wheels	484
4	112436051/0	2	Plate	
5	381002020/0	1	Rod, Height Adjustment	484
5	381002020/0	1	Rod, Height Adjustment	
12	12789000/0	2	Screw	
13	81003283/1	1	Lever, Height Adjustment	
14	12154320/0	2	Nut	
15	22122200/0	4	Bearing	
16	81007336/0	2	Wheel	
17	12521350/0	2	Washer	
18	12155000/0	2	Nut	
19	22110381/0	2	Hub Cap	
20	22122200/0	4	Bearing	
21	81007337/0	2	Wheel	
22	12521350/0	2	Washer	
23	12155000/0	2	Nut	
24	22110382/0	2	Hub Cap	
25	12530150/0	2	Washer	
41	12691800/0	1	Screw	
41	12793701/0	3	Screw	
42	12155000/0	1	Nut	
42	12293201/0	3	Nut	
43	12731350/0	4	Screw	
44	22545152/0	2	Plate	

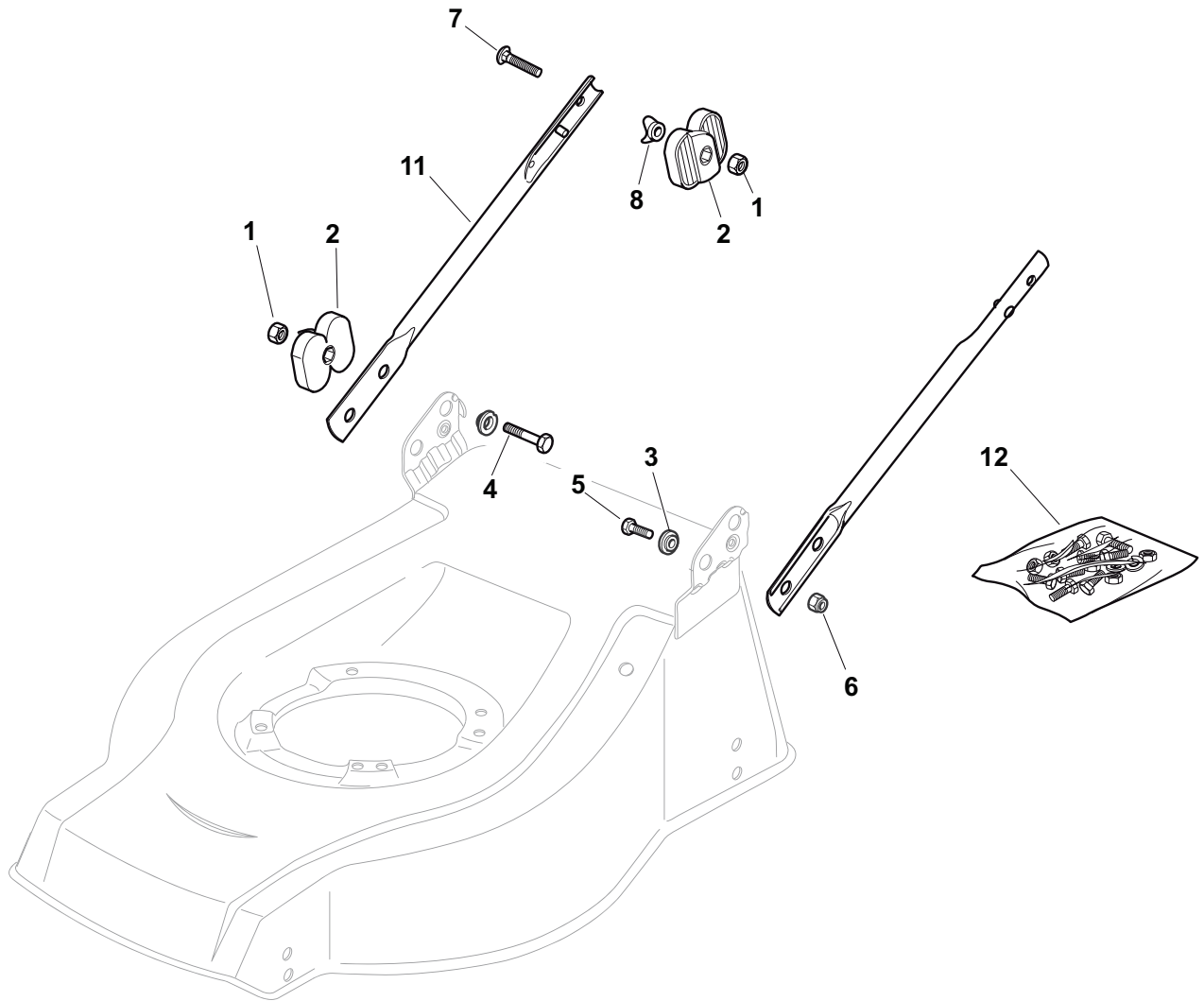
Protection, Belt



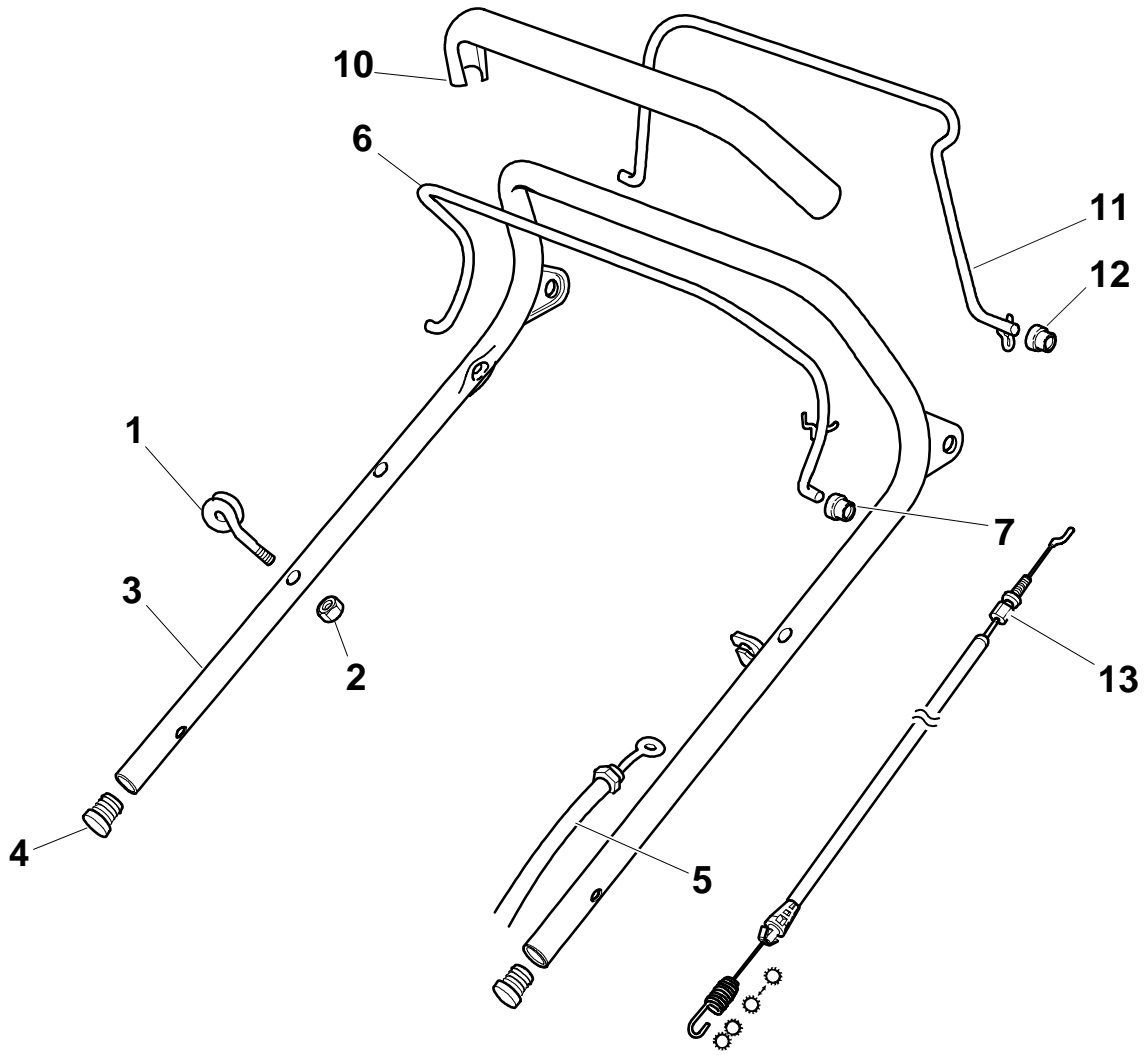
Pos.	Part no.	Q.ty	Description	Remarks
------	----------	------	-------------	---------

1	22140223/0	1	Deflector	
2	22060198/0	1	Protection	
3	12728530/0	3	Screw	
4	22291150/0	1	Rubber Insert	

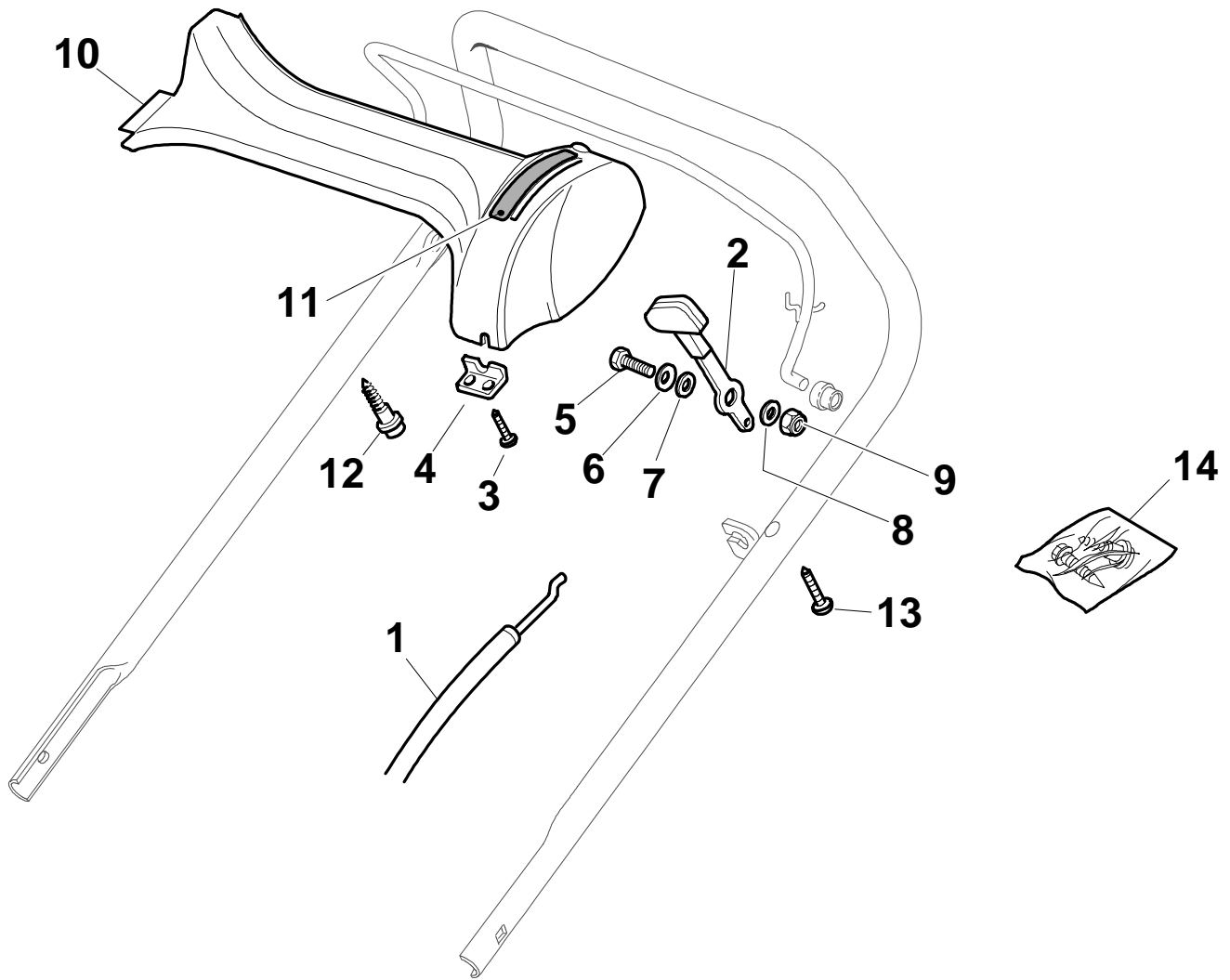
Handle, Lower Part



Pos.	Part no.	Q.ty	Description	Remarks
1	12293202/0	4	Nut	
2	22399803/0	4	Knob	
3	22041955/0	4	Bush	
4	12793700/0	2	Screw	
5	12792610/0	2	Screw	
6	12155000/0	2	Nut	
7	12819125/0	2	Screw	
8	22680006/1	2	Washer	
11	81006973/0	2	Handle, Lower Part	
12	81008633/0	1	Outfit, Screws	

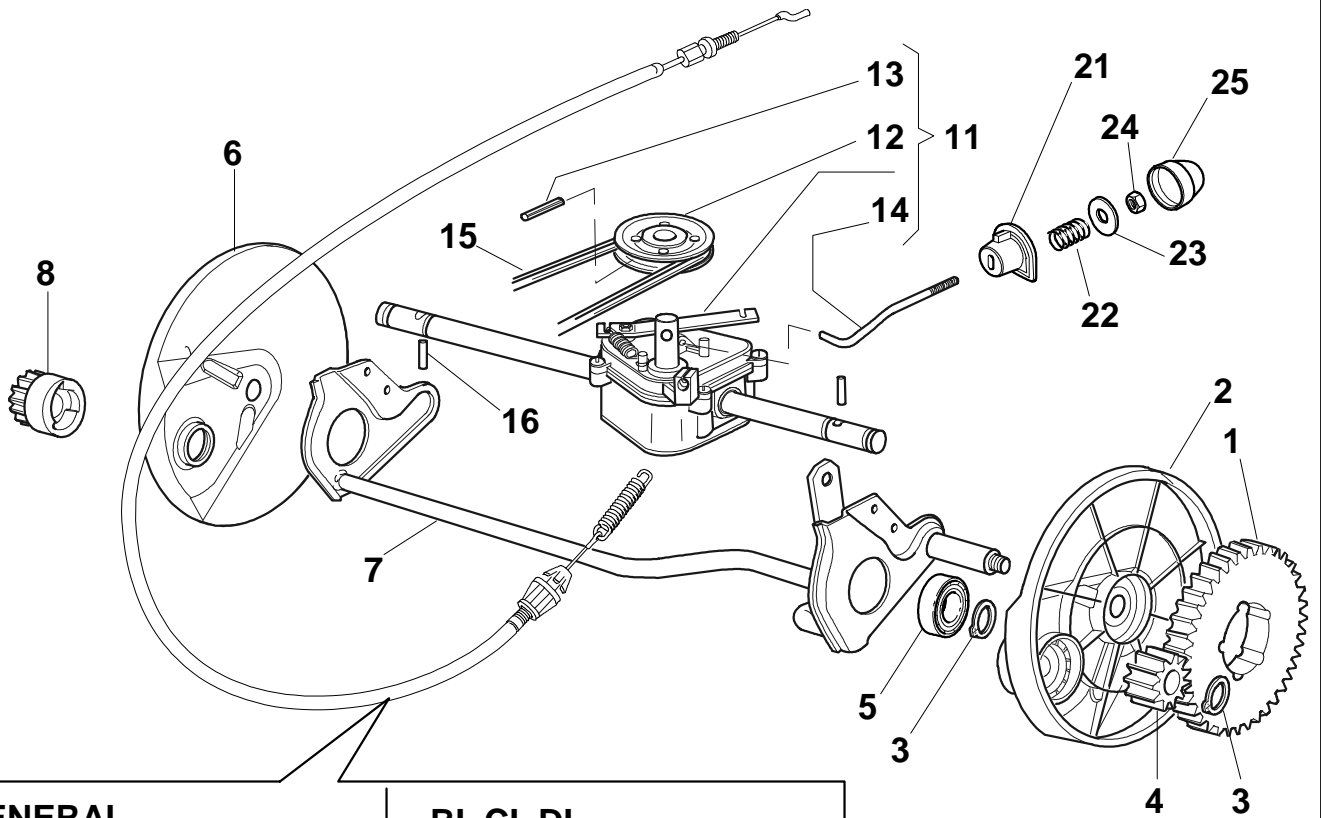
Handle, Upper Part


Pos.	Part no.	Q.ty	Description	Remarks
1	22430309/0	1	Guide Spring	
2	12154330/0	1	Nut	
3	81006981/0	1	Handle, Upper Part	
4	18566112/0	2	Cap	
5	81000611/0	1	Cable, Thread Engine Brake	(Ggp 150cc)
5	81000611/0	1	Cable, Thread Engine Brake	
5	81000641/0	1	Cable, Thread Engine Brake	
5	81000641/0	1	Cable, Thread Engine Brake	484 (Honda Gcv 135-160)
5	81000642/1	1	Cable, Thread Engine Brake	484 (B&S 625-675 Series)
5	81000642/1	1	Cable, Thread Engine Brake	
5	81000757/0	1	Cable, Thread Engine Brake	484 (Ggp 140cc)
5	81000757/0	1	Cable, Thread Engine Brake	484 (Ggp 160cc)
5	81000757/0	1	Cable, Thread Engine Brake	484 (Ggp 196cc)
5	81000757/0	1	Cable, Thread Engine Brake	
6	81003291/3	1	Lever, Engine Brake	
7	22041966/0	2	Bush	
10	22291050/0	1	Handgrip Black	
11	22041965/1	2	Bush	
12	81003288/1	1	Lever, Driving	
13	81000668/1	1	Cable, Rear Drive	(General Transmission)
13	81000668/1	1	Cable, Rear Drive	
13	81000672/0	1	Cable, Rear Drive	
13	81000672/0	1	Cable, Rear Drive	(Bi Ci Di)

Dash Board


Pos.	Part no.	Q.ty	Description	Remarks
1	81007160/0	1	Cable, Trottle	
2	81007221/0	1	Lever, Throttle	(B&S 450-500 Series - Ggp 150 cc)
2	81007280/2	1	Lever, Throttle	(B&S 625-675-700 Series - Honda - Ggp 140-160-196 cc)
3	12735105/0	2	Screw	
4	22981467/0	1	Plate	
5	12791500/0	1	Screw	
6	12530060/0	1	Elastic Washer	
7	12523040/0	1	Washer	
8	12523040/0	1	Washer	
9	12154510/0	1	Nut	
10	22120172/0	1	Dash Board Black	
10	22120173/0	1	Dash Board Red	
10	22120174/0	1	Dash Board Yellow	
11	114356743/1	1	Label	(GGP)
11	114356743/1	1	Label	(Honda)
11	114356744/1	1	Label	(B&S)
11	114356906/1	1	Label	(B&S 700 series DOV)
11	114357646/1	1	Label	(Honda GCV 160-190 Autochoke)
12	22943006/0	1	Screw	
13	12728460/0	1	Screw	
14	81008609/0	1	Outfit, Dash-Board Screws	

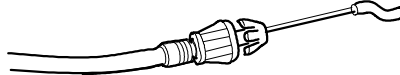
Rear Drive



**GENERAL
TRANSMISSION**



BI. CI. DI.

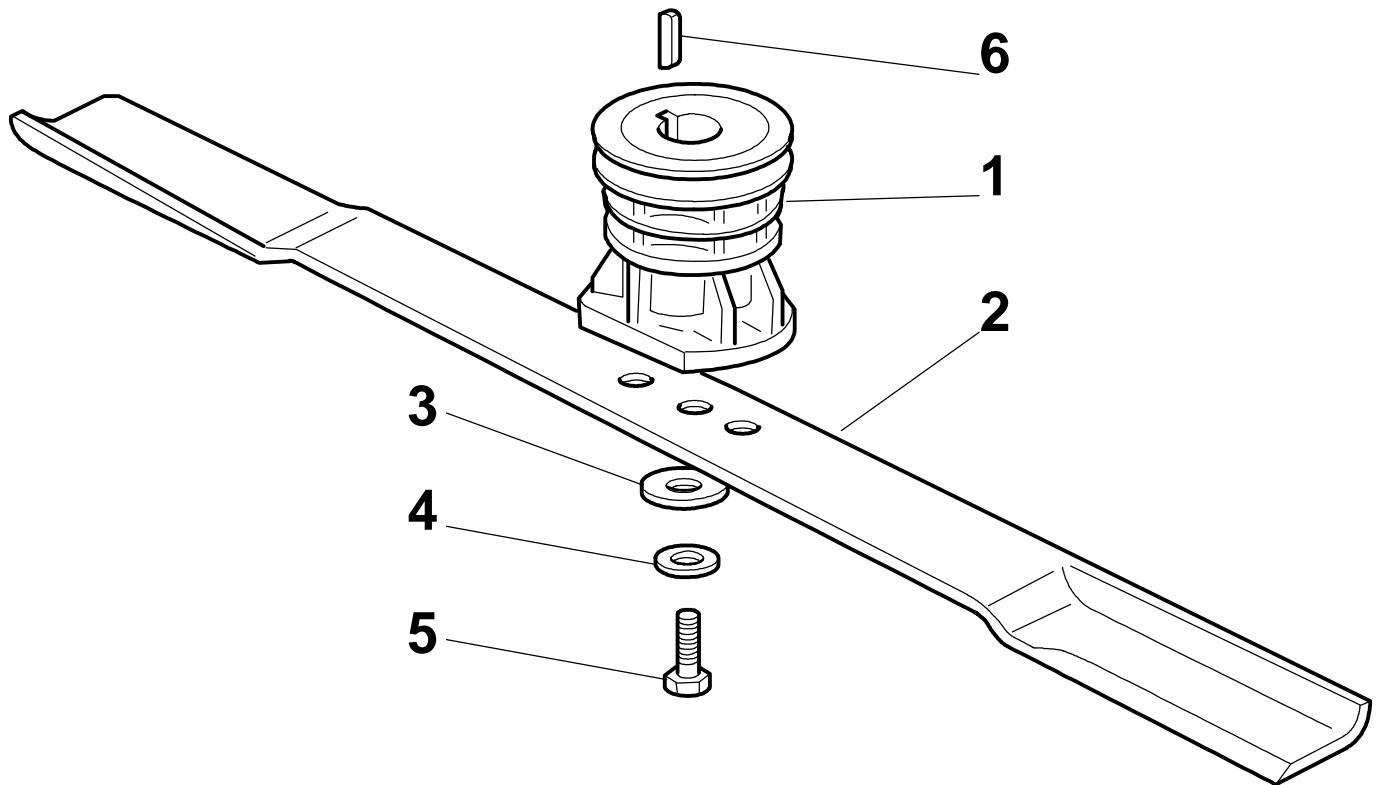




XS 50 MHS - Model Year 2010

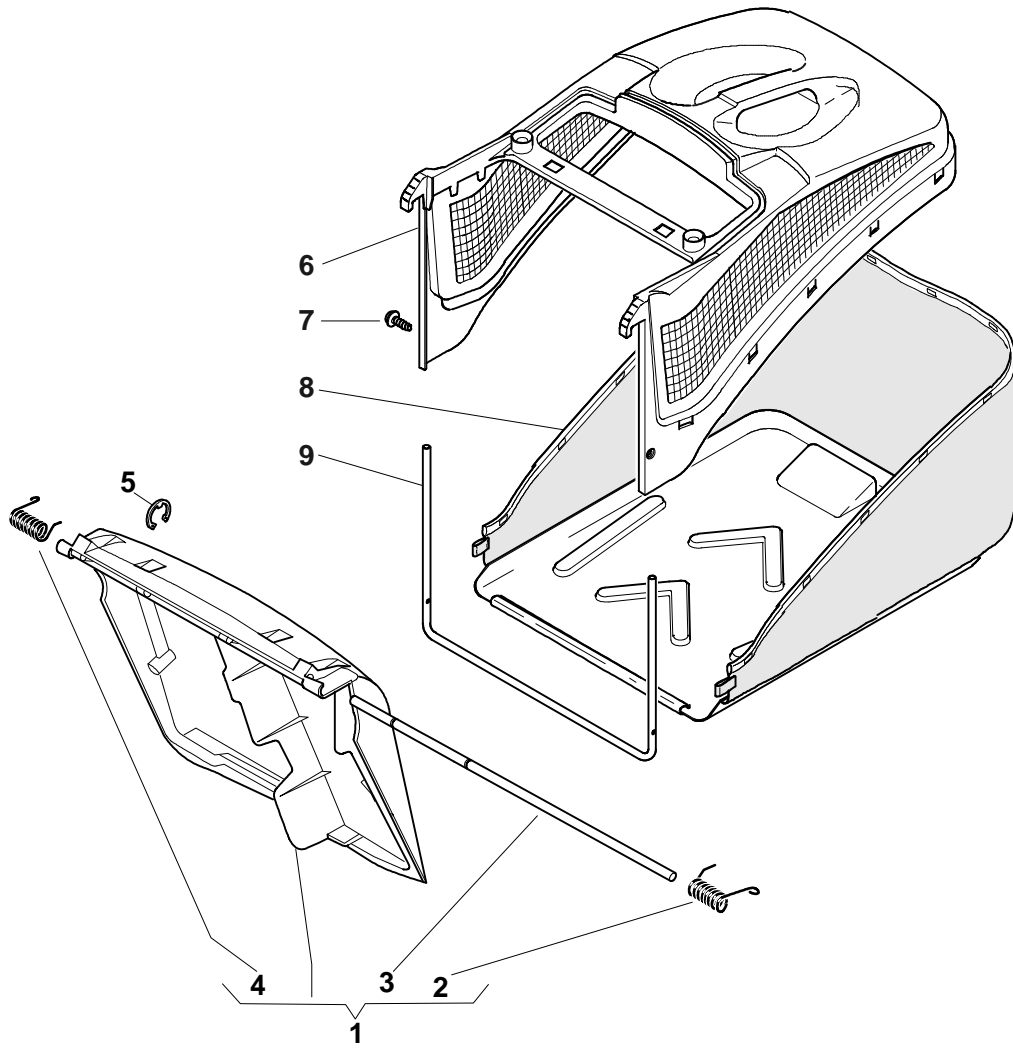
Rear Drive

Pos.	Part no.	Q.ty	Description	Remarks
1	22120105/1	2	Ring Gear	
2	22600093/0	1	Protection, L Wheel	
3	12608600/0	4	Snap Ring	
4	22570120/1	1	Pinion L	
5	19216035/0	2	Bearing	
6	22600092/0	1	Protection, R Wheel	
7	81000147/0	1	Axle, Rear Wheels	
8	22570110/1	1	Pinion R	
11	81003076/0	1	Gear Box	(General Transmission)
11	81003076/0	1	Gear Box	
11	81003081/1	1	Gear Box (Grey)	(Bi Ci Di)
11	81003081/1	1	Gear Box (Grey)	
12	22601904/0	1	Pulley	
13	12645705/0	1	Pin	
14	22033280/0	1	Adjustment Rod	
14	22033280/0	1	Adjustment Rod	(Bi Ci Di)
14	22033283/0	1	Adjustment Rod	
14	22033283/0	1	Adjustment Rod	(General Transmission)
15	35063800/0	1	Belt	
15	35063800/0	1	Belt	484
16	22753000/0	2	Pin	
21	22041957/1	1	Bush	
22	22450063/0	1	Spring	
23	22680009/0	1	Washer	
24	12154510/0	1	Nut	
25	22110230/0	1	Cap	

Blade


Pos.	Part no.	Q.ty	Description	Remarks
1	122465607/3	1	Hub With Pulley, Crankshaft Ø 22.2	
2	81004346/3	1	Blade Standard	
2	81004346/3	1	Blade Standard	484
2	81004397/0	1	Blade Winged	
2	81004397/0	1	Blade Winged	484
3	22160400/0	1	Elastic Washer	
4	12523080/0	1	Washer	
5	12735698/0	1	Screw	
6	12139100/0	1	Key	

Grass-Catcher



Pos.	Part no.	Q.ty	Description	Remarks
1	381008021/2	1	Stone-Guard Black	
2	22450410/1	1	R Spring	
3	22517906/1	1	Pin	
4	22450420/1	1	L Spring	
5	12000930/0	1	Snap Ring	
6	22486093/0	1	Grass-Box, Upper	
7	12728445/0	2	Screw	
8	81002195/0	1	Box, Fabric	
9	22608523/0	1	Stiffening Lower	