



*Green Passion*

# Illustrated Parts List

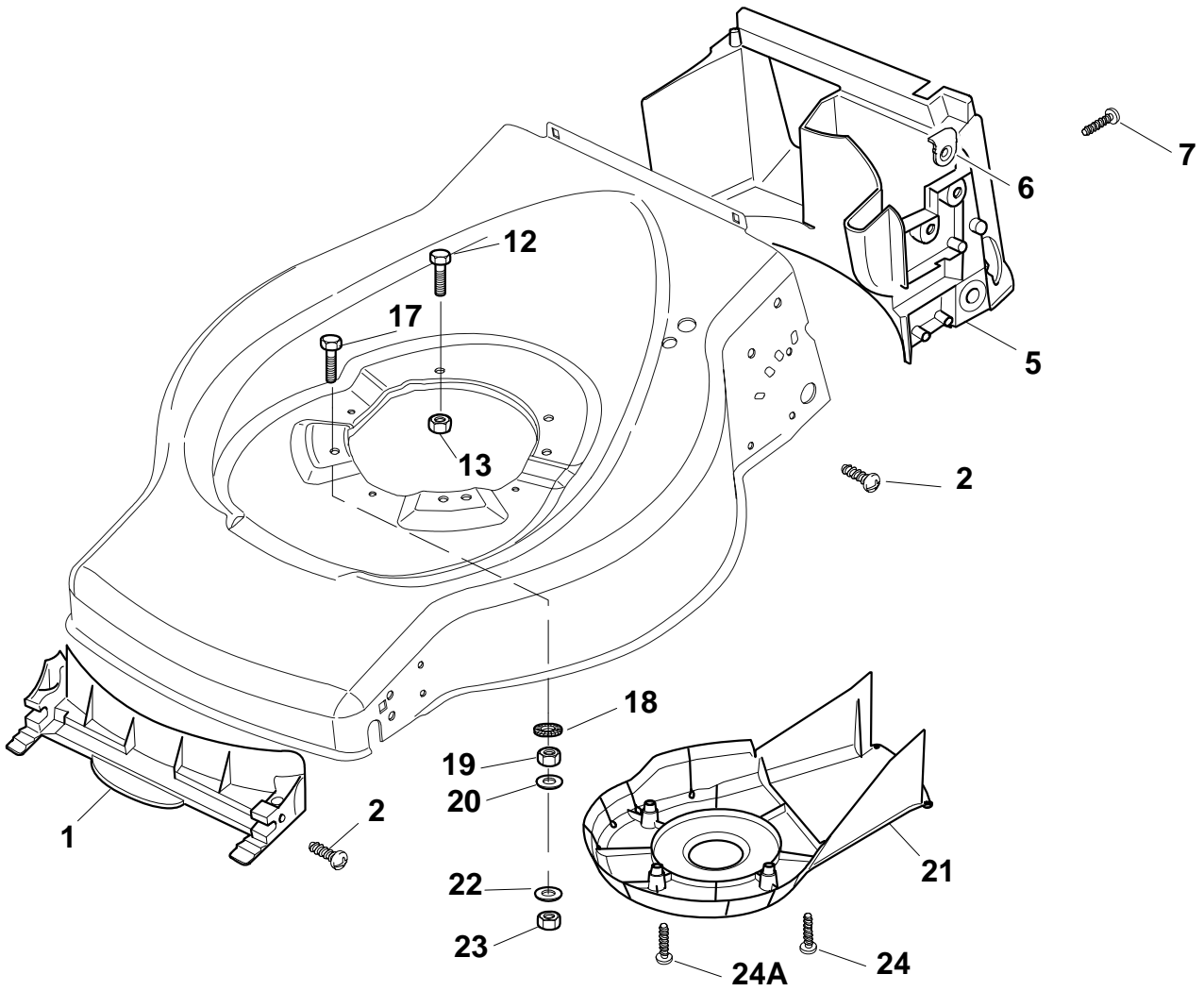
**XSE 55 GS - Model Year 2009**

- Use GLOBAL GARDEN PRODUCT Genuine Spare Parts specified in the parts list for repair and/or replacement.
- The contents described in the parts list may change due to improvement.
- The drawings of the spare parts are only indicative and might not represent the part in question exactly.
- The indications "right" - "left" - "front" - "rear" refer to the position of the operator when using the machine.
- When placing orders of parts for repair and/or replacement, make sure that the illustrated parts list is the one applying to the machine's year of manufacture, as shown on the identification plate attached to the machine.

COPYRIGHT by GLOBAL GARDEN PRODUCTS

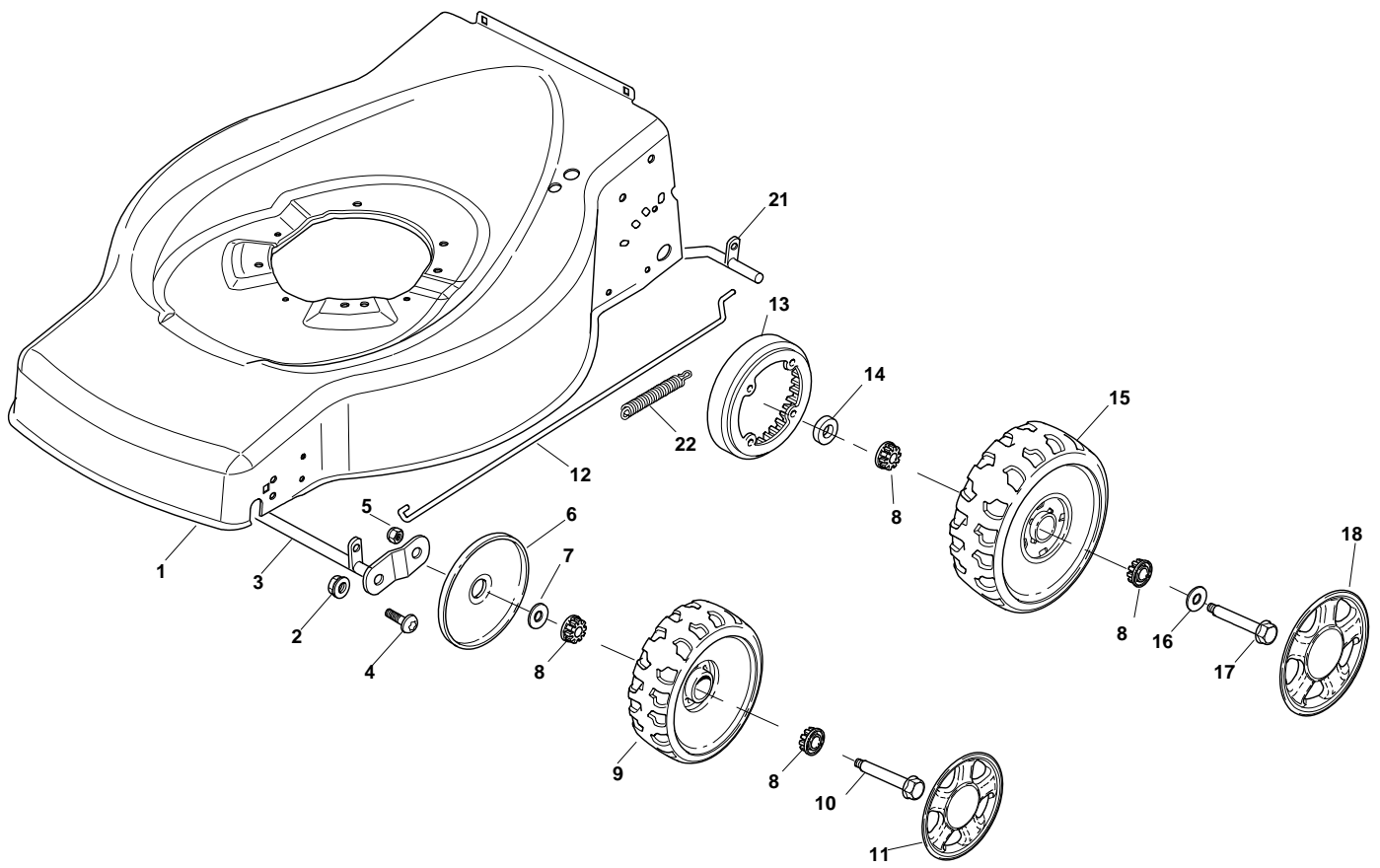
All rights reserved. No part of this material may be reproduced or transmitted, in any form or by any means, electronic or mechanical, including photocopying, recording or by any information storage and retrieval system, without permission in writing from GLOBAL GARDEN PRODUCTS.

**Chassis**



Pos.	Part no.	Q.ty	Description	Remarks
1	22108271/0	1	Front Conveyor Assy	
2	12728686/0	6	Screw	
5	22108272/2	1	Rear Conveyor Assy	
6	322545189/0	4	Plate	
7	12728686/0	2	Screw	
12	12793701/0	2	Screw	
13	12293201/0	2	Nut	
17	12691115/0	1	Screw	(GGP)
17	12691115/0	1	Screw	
18	12540060/0	1	Washer	
19	12293200/0	1	Nut	
20	22671651/0	1	Washer	
21	322060222/0	1	Protection, Belt	
21	322060222/0	1	Protection, Belt	534
22	25670011/0	1	Washer	
23	12155000/0	1	Nut	
24A	12728530/0	2	Screw	
24A	12728530/0	2	Screw	534
24	12728686/0	2	Screw	

### Chassis/Wheels And Height Adjusting



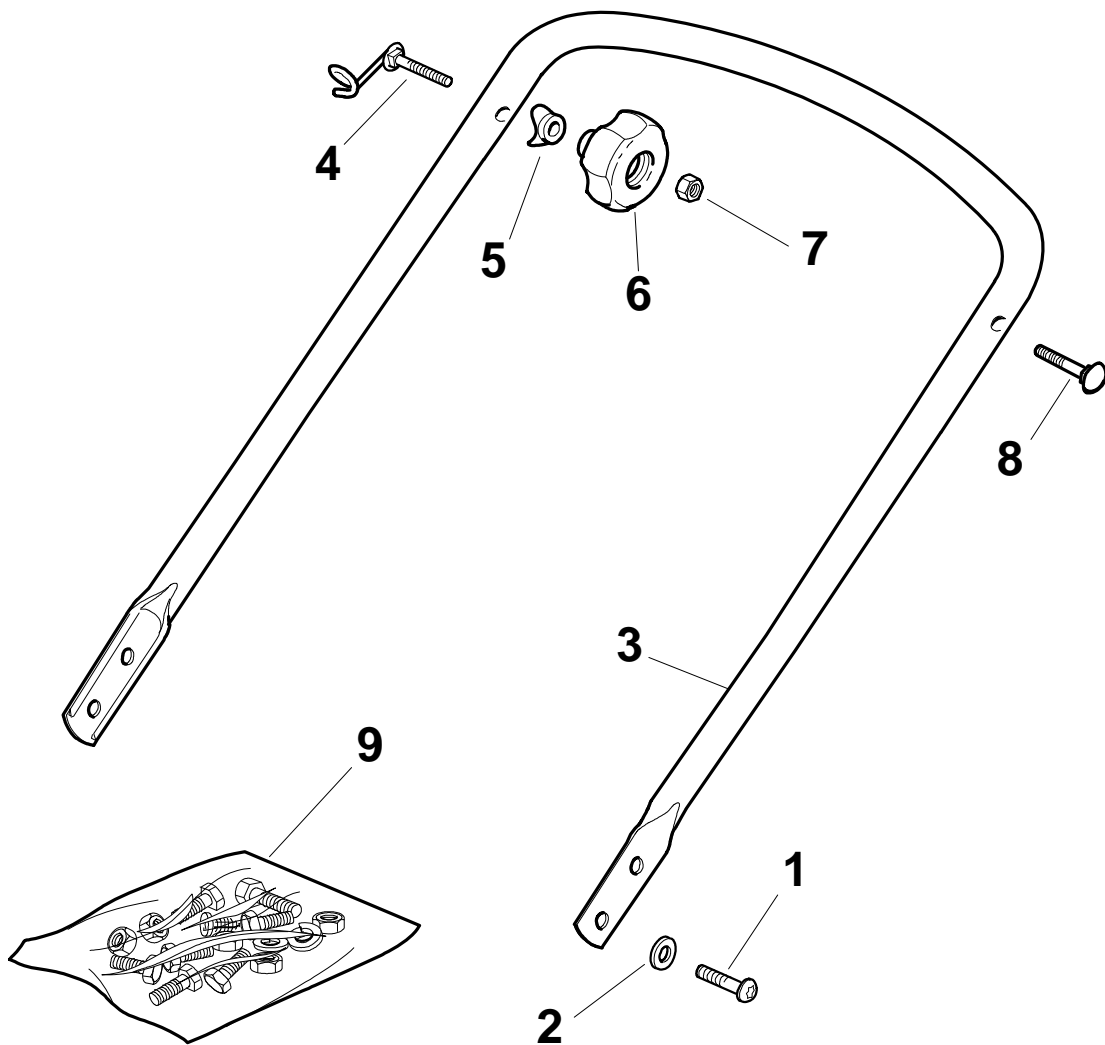


XSE 55 GS - Model Year 2009

**Chassis/Wheels And Height Adjusting**

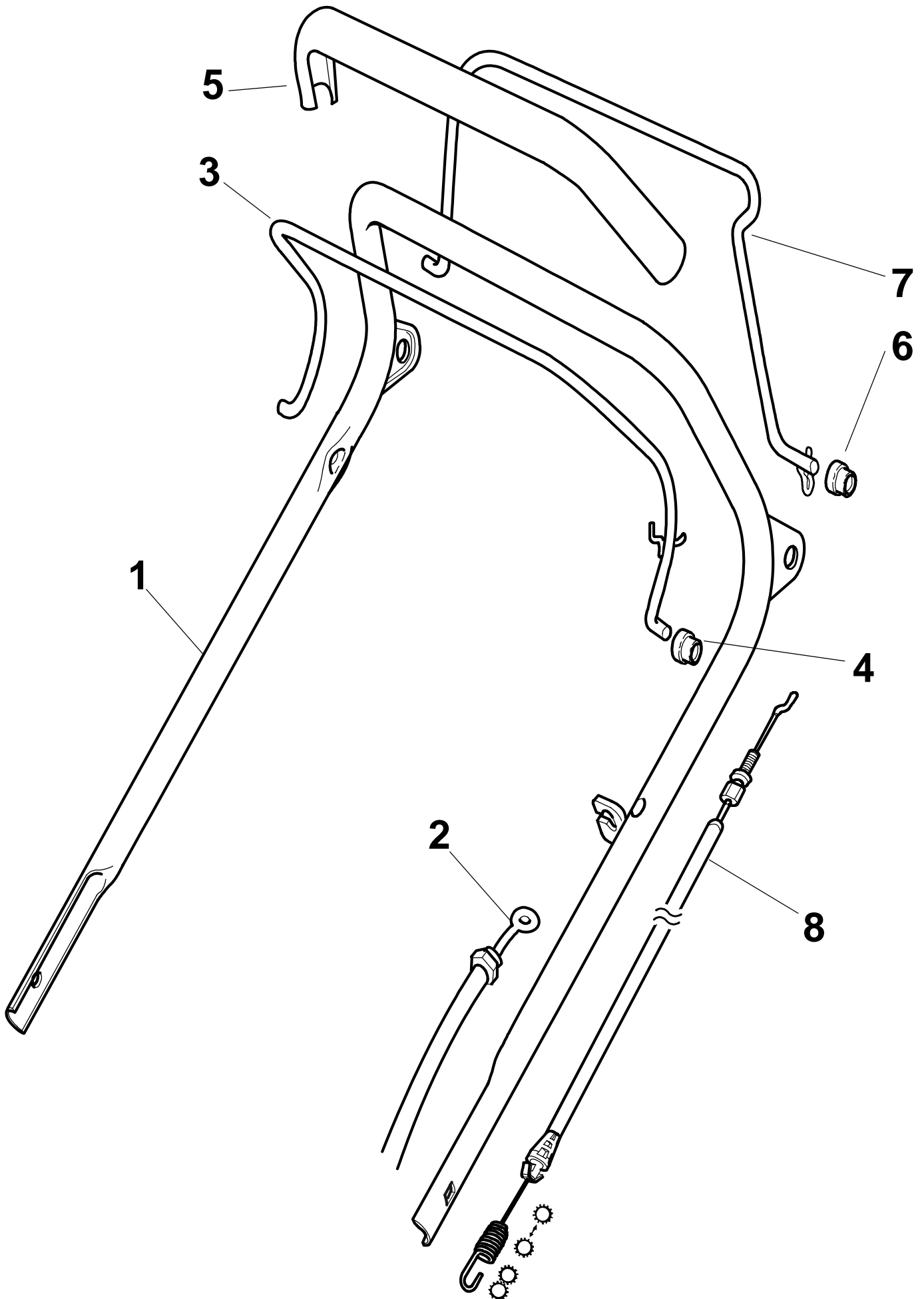
Pos.	Part no.	Q.ty	Description	Remarks
1	381003703/0	1	Deck Red	
1	381003703/0	1	Deck Red	534
2	12155000/0	2	Nut	
3	81000153/0	1	Axle, Front Wheels	
4	12760600/0	2	Screw	
5	22131750/0	2	Nut	
6	22600095/0	2	Protection	
7	22671651/0	2	Washer	
8	22034508/0	8	Bush	
9	22686091/1	2	Wheel R 165	
10	22524341/0	2	Pin	
11	22110381/0	2	Hub Cap	
12	122033319/0	1	Adjustment Rod	
12	122033319/0	1	Adjustment Rod	534
13	22120109/0	2	Ring Gear	
14	22170622/0	2	Spacer	
15	22686093/0	2	Wheel R 190	
16	12523050/0	2	Washer	
17	12735599/0	2	Screw	
18	22110382/0	2	Hub Cap	
19	22675100/0	4	Washer	
20	22122200/0	8	Bearing	
21	81000159/0	1	Axle, Rear Wheels	
22	122446186/0	1	Spring	534
22	122446186/0	1	Spring	

**Handle, Lower Part**



Pos.	Part no.	Q.ty	Description	Remarks
1	12760605/0	4	Screw	
2	12521350/0	4	Washer	
3	81006570/0	1	Handle, Lower Part	
3	81006570/0	1	Handle, Lower Part	464
4	81003801/1	1	Spring	
5	22680006/1	2	Washer	
6	322399804/1	2	Knob	
7	12293200/0	2	Nut	
8	12819201/0	1	Screw	
9	81008648/1	1	Outfit, Screws	

**Handle, Upper Part**



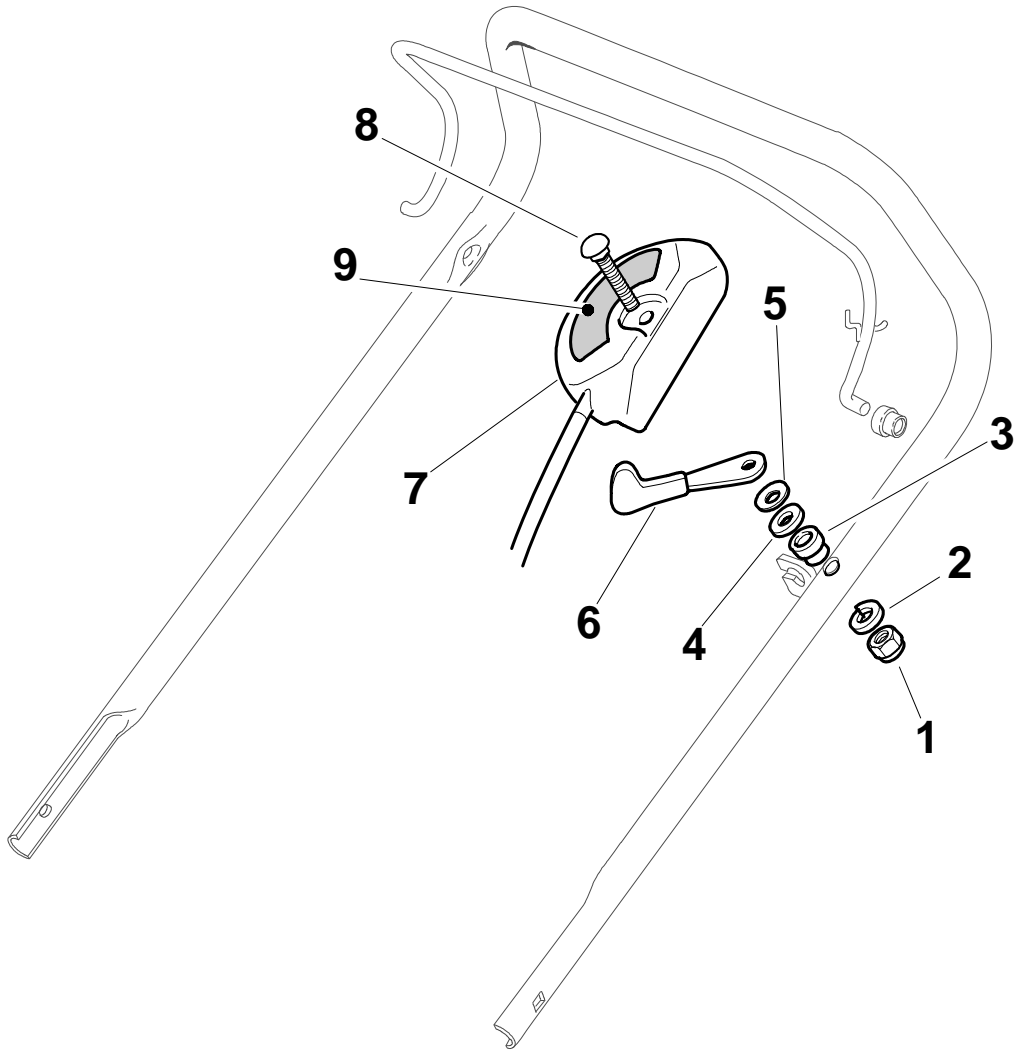


XSE 55 GS - Model Year 2009

## Handle, Upper Part

Pos.	Part no.	Q.ty	Description	Remarks
1	81007024/0	1	Handle, Upper Part	
2	181000761/0	1	Cable, Thread Engine Brake	534 (Honda Gcv 135-160-190)
2	181000761/0	1	Cable, Thread Engine Brake	534 (B&S 450-500 Series)
2	181000761/0	1	Cable, Thread Engine Brake	
2	81000622/2	1	Cable, Thread Engine Brake	534 (Ggp 150cc)
2	81000622/2	1	Cable, Thread Engine Brake	
2	81000760/0	1	Cable, Thread Engine Brake	534 (B&S 625-675 Series)
2	81000760/0	1	Cable, Thread Engine Brake	534 (Ggp 140cc)
2	81000760/0	1	Cable, Thread Engine Brake	534 (Ggp 160cc)
2	81000760/0	1	Cable, Thread Engine Brake	534 (Ggp 196cc)
2	81000760/0	1	Cable, Thread Engine Brake	
3	81003291/3	1	Lever, Engine Brake	
4	22041966/0	2	Bush	
5	22291050/0	1	Handgrip Black	
6	22041965/1	2	Bush	
7	81003288/1	1	Lever, Driving	
8	381000778/0	1	Cable, Rear Drive	

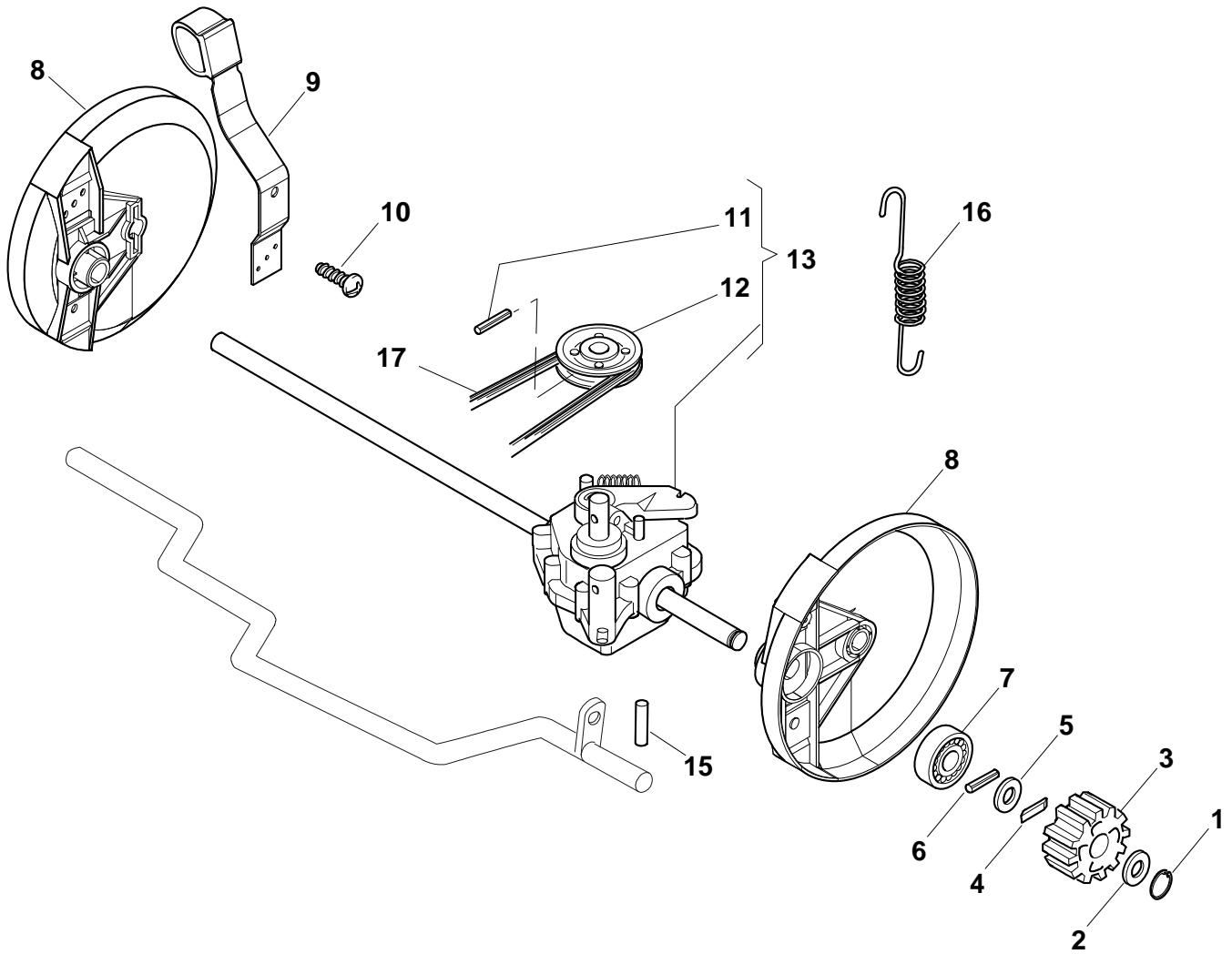
**Controls**



Pos.	Part no.	Q.ty	Description	Remarks
1	12291000/0	1	Nut	
2	12581500/0	1	Grower	
3	22171005/0	1	Spacer	
4	12521360/0	1	Washer	
5	12508100/0	1	Spring Washer	
6	81007220/0	1	Lever, Throttle	(B&S 450-500 Series - Ggp 150 cc)
6	81007220/0	1	Lever, Throttle	
6	81007279/1	1	Lever, Throttle	
6	81007279/1	1	Lever, Throttle	(B&S 625-675-700 Series - Honda - Ggp 140-160-196 cc)
7	81007080/0	1	Throttle Cable	
8	12815000/0	1	Screw	
9	114356905/0	1	Label	(Honda GCV 160-190 Autochoke)
9	114356905/0	1	Label	(B&S 700 series DOV)
9	114356905/0	1	Label	
9	114364264/0	1	Label	
9	114364264/0	1	Label	AVS (GGP 160-196)
9	14356702/0	1	Label	(Honda)
9	14356702/0	1	Label	
9	14356702/0	1	Label	(GGP)
9	14356703/0	1	Label	(B&S)
9	14356703/0	1	Label	

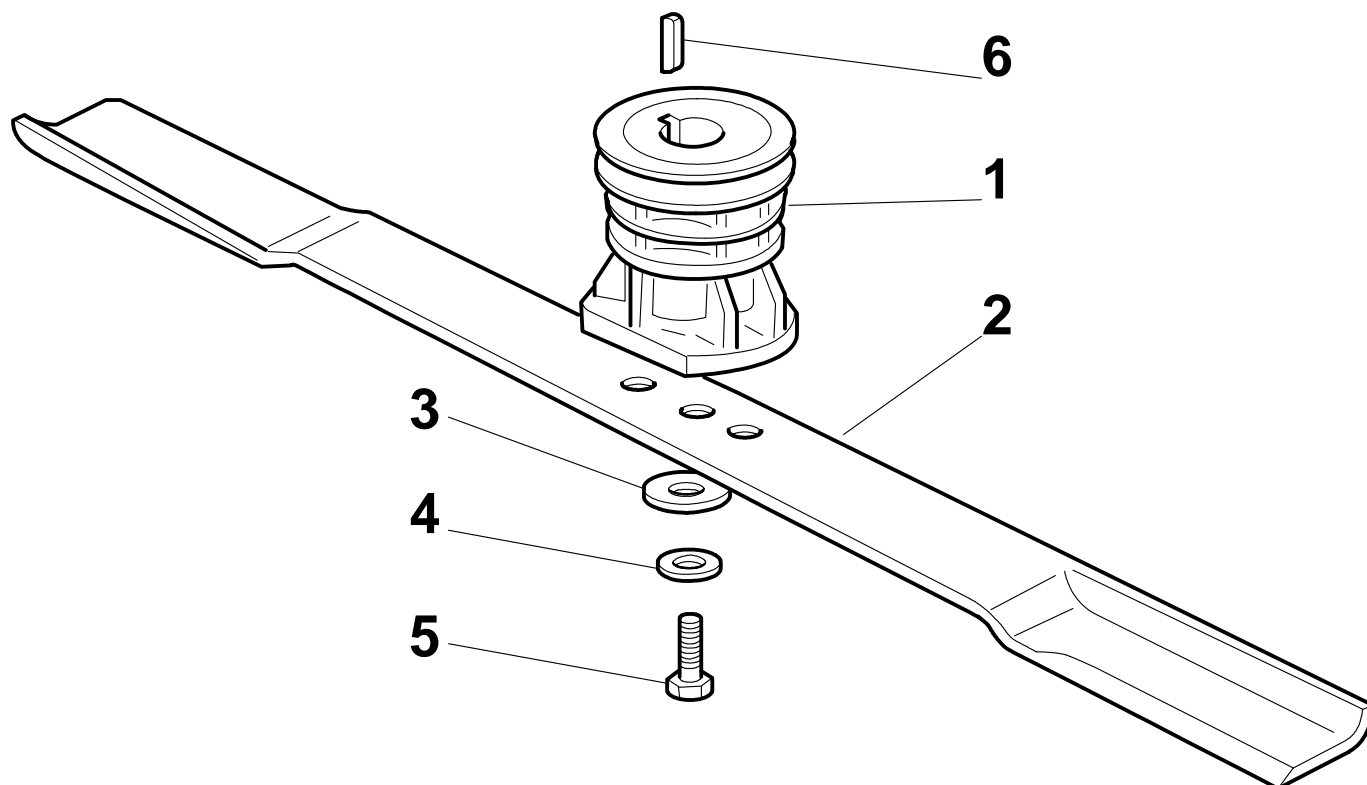


**Rear Drive**



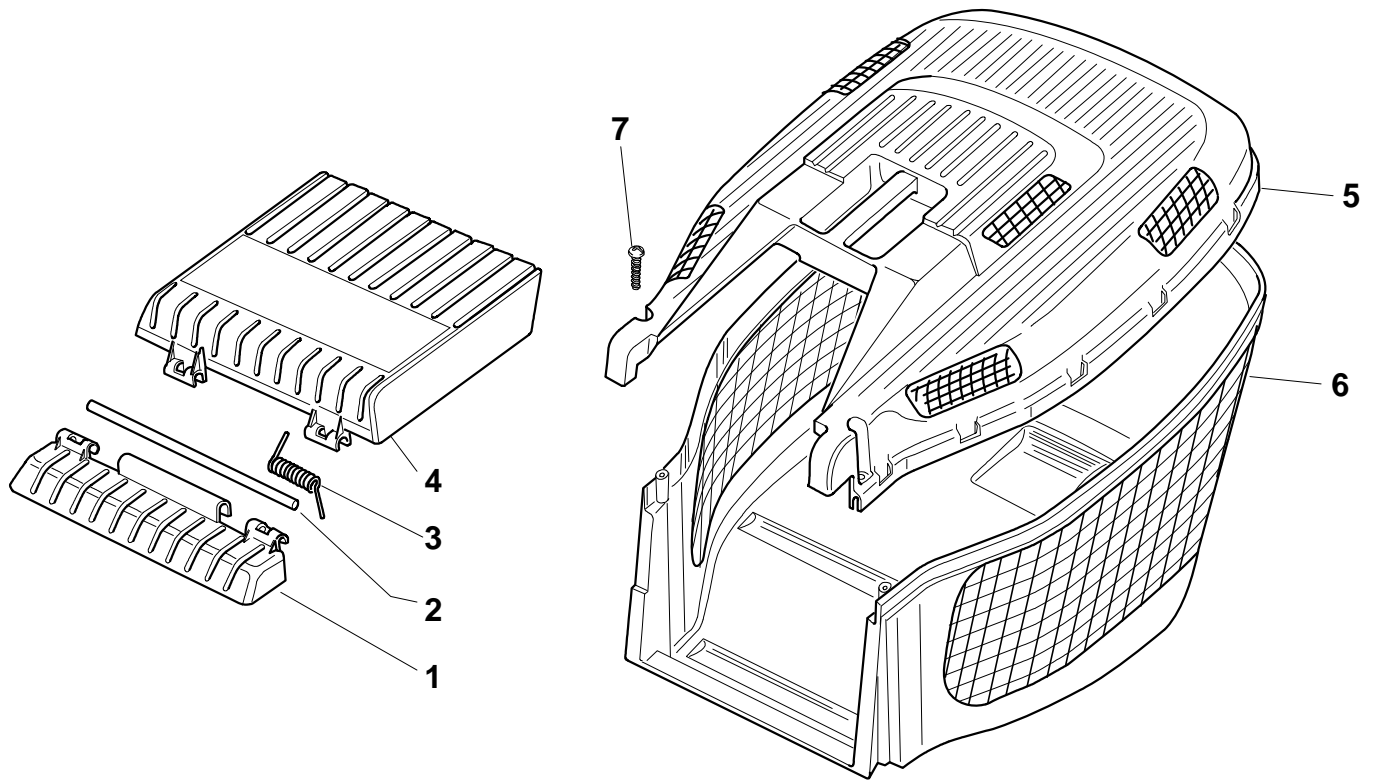
Pos.	Part no.	Q.ty	Description	Remarks
1	12608520/0	2	Seeger	
2	22160520/0	2	Dust Cover	
3	22570125/0	2	Pinion	
4	22076645/0	2	Key	
5	22160520/0	2	Dust Cover	
6	12622620/0	2	Pin	
7	22122202/0	2	Bearing	
8	22600106/1	2	Protection, Wheel	
9	81003303/0	1	Lever, Height Adjustment	
10	12728689/0	2	Screw	
11	12713801/0	1	Dowel	
12	22601909/0	1	Pulley	
13	181003093/1	1	Gear Box	
15	22753001/0	2	Pin	
16	22450438/0	1	Spring	
17	35064100/0	1	Belt	534
17	35064100/0	1	Belt	

**Blade**



Pos.	Part no.	Q.ty	Description	Remarks
1	22465607/2	1	Hub With Pulley, Crankshaft R̄ 22.2	
2	81004381/1	1	Blade Standard	
2	81004381/1	1	Blade Standard	534
2	81004383/0	1	Blade, Avs	
2	81004398/0	1	Blade Winged	
2	81004398/0	1	Blade Winged	534
3	22160400/0	1	Elastic Washer	
4	12523080/0	1	Washer	
5	12735698/0	1	Screw	
6	12139100/0	1	Feather, Crankshaft R̄ 22.2	

### Grass-Catcher



Pos.	Part no.	Q.ty	Description	Remarks
1	22785136/1	1	Support	
2	22517858/0	1	Pin	
3	22450431/0	1	Spring	
4	322600099/1	1	Stone-Guard	
5	22486122/0	1	Grassbox Upper Part	
6	22486128/0	1	Grassbox Lower Part	
7	12728686/0	2	Screw	