



Green Passion

Illustrated Parts List

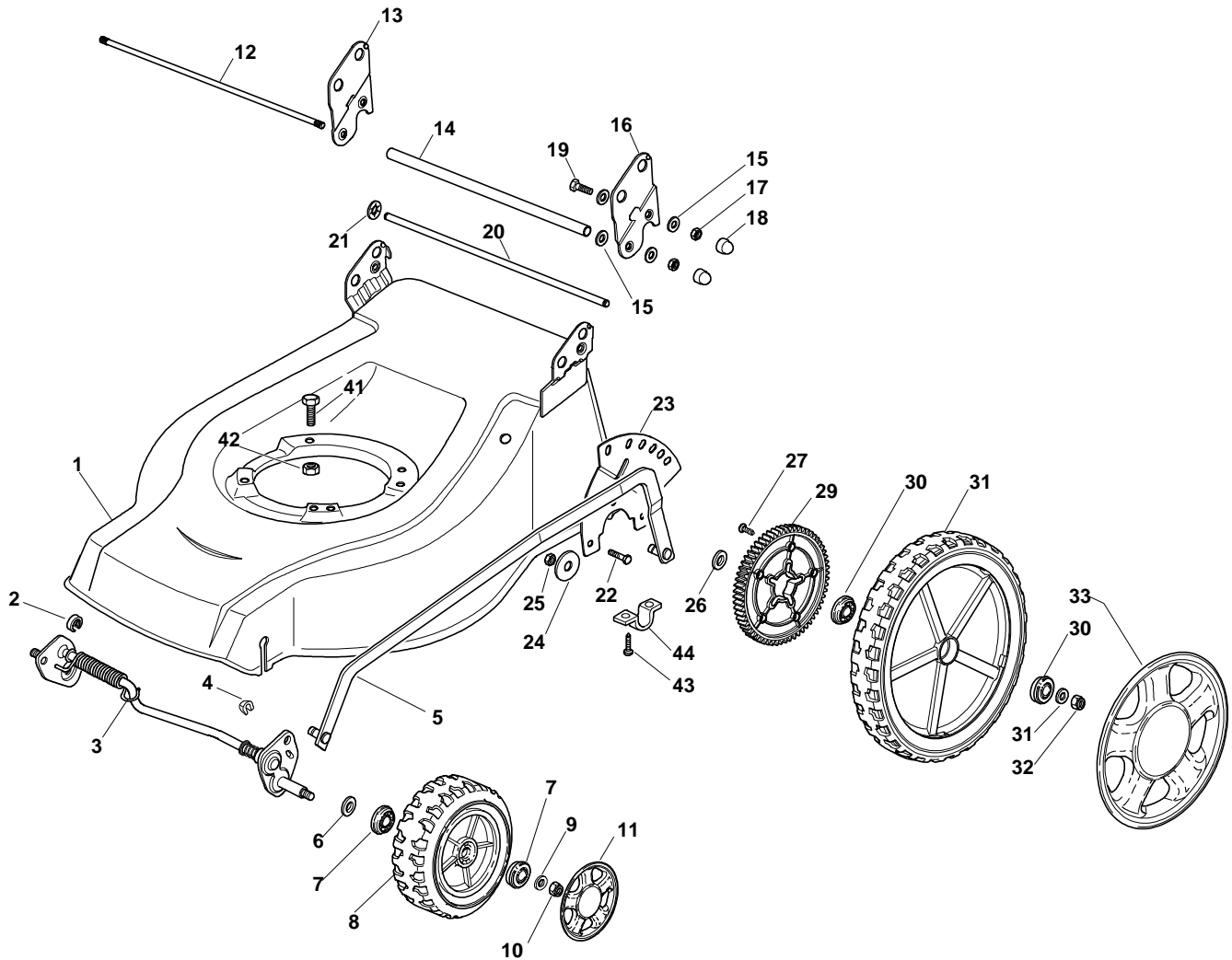
**XSIW 55 MBS INOX - Model Year
2010**

- Use GLOBAL GARDEN PRODUCT Genuine Spare Parts specified in the parts list for repair and/or replacement.
- The contents described in the parts list may change due to improvement.
- The drawings of the spare parts are only indicative and might not represent the part in question exactly.
- The indications "right" - "left" - "front" - "rear" refer to the position of the operator when using the machine.
- When placing orders of parts for repair and/or replacement, make sure that the illustrated parts list is the one applying to the machine's year of manufacture, as shown on the identification plate attached to the machine.

COPYRIGHT by GLOBAL GARDEN PRODUCTS

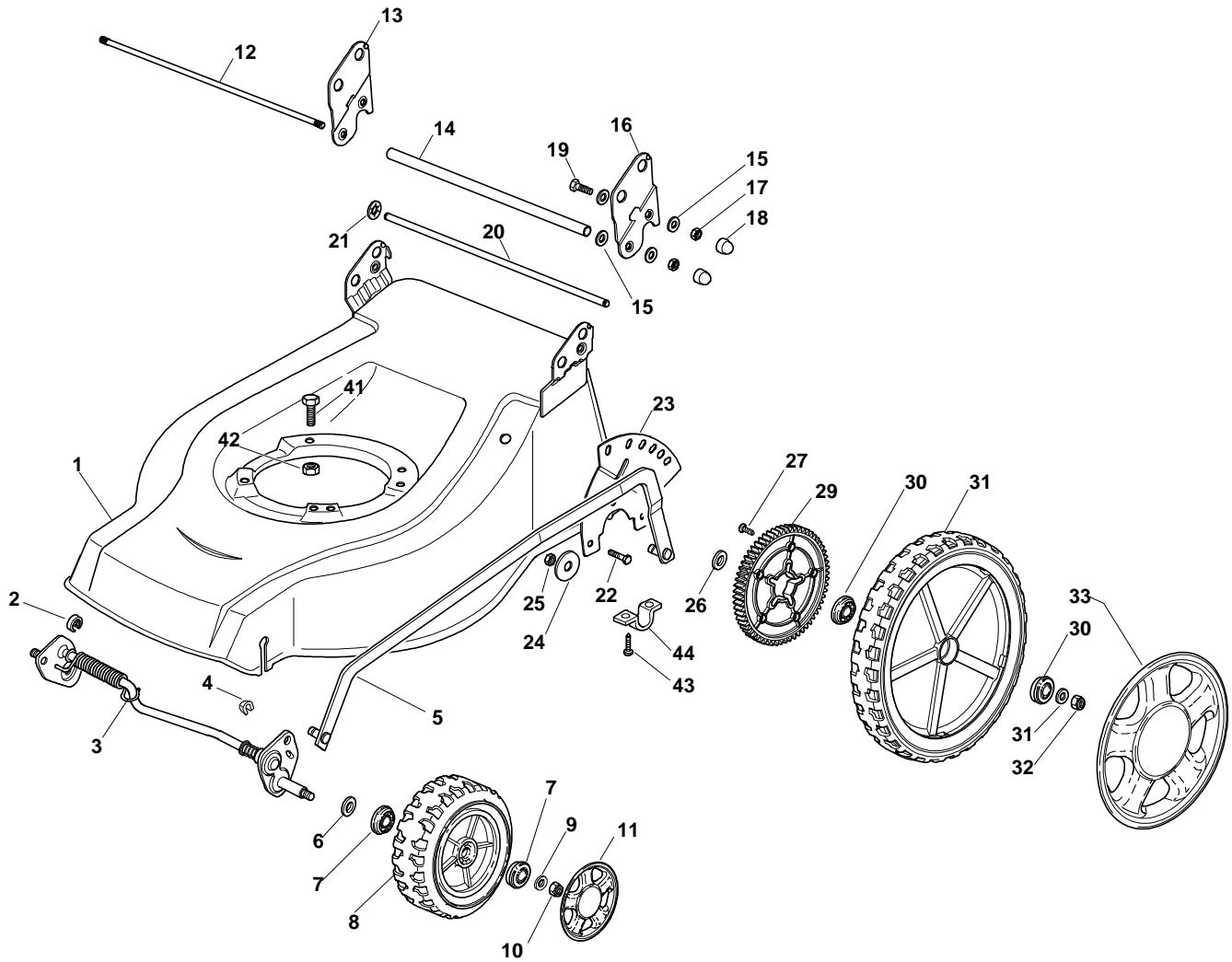
All rights reserved. No part of this material may be reproduced or transmitted, in any form or by any means, electronic or mechanical, including photocopying, recording or by any information storage and retrieval system, without permission in writing from GLOBAL GARDEN PRODUCTS.

Chassis/Wheels And Height Adjusting



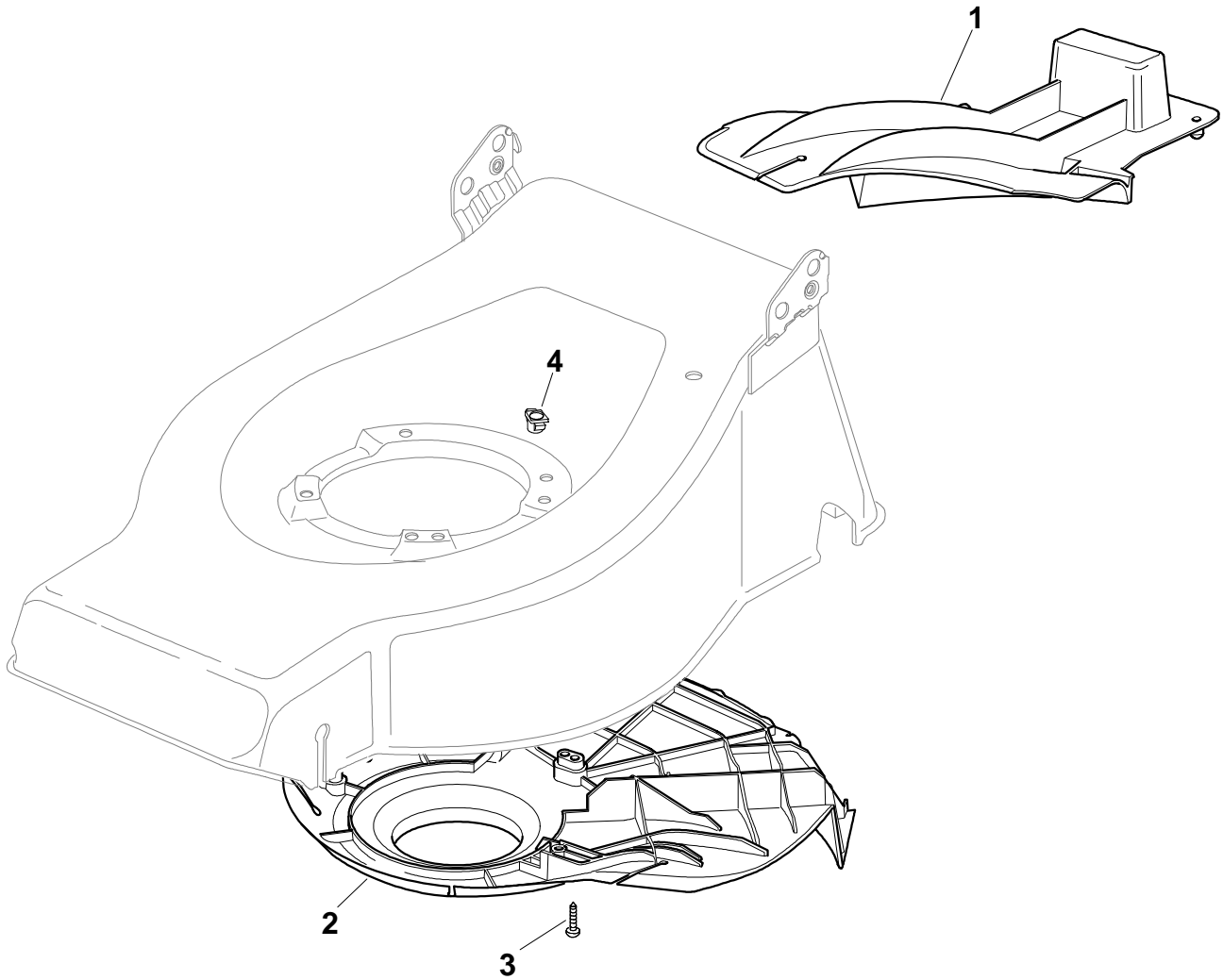
Pos.	Part no.	Q.ty	Description	Remarks
1	381003618/1	1	Deck INOX	
2	22171002/0	2	Spacer	
3	381002859/0	1	Axle, Front Wheels	
4	12436050/0	2	Plate	
5	381002017/0	1	Rod, Height Adjustment	
6	12530150/0	2	Washer	
7	22122200/0	4	Bearing	
8	81007343/0	2	Wheel	
9	12521350/0	2	Washer	
10	12155000/0	2	Nut	
11	22110382/0	2	Hub Cap	
12	22517702/1	1	Stone Guard Fulcrum	
13	22778427/0	1	Bracket, R	
14	22869717/0	1	Spacer	
15	22671653/0	8	Washer	
16	22778429/0	1	Bracket, L	
17	12155000/0	4	Nut	
18	18203854/0	4	Protection	
19	12793301/0	2	Screw	
20	22517860/0	1	Pin	
21	12604899/0	2	Crown Fastener	
22	12792611/0	3	Screw	
23	322735579/1	1	Sector, Height Adjustment	
24	12523060/0	3	Washer	
25	12155000/0	3	Nut	

Chassis/Wheels And Height Adjusting



Pos.	Part no.	Q.ty	Description	Remarks
26	22675100/0	2	Washer	
27	12728691/0	6	Screw	
28	22120110/0	2	Sprocket	
29	22122200/0	4	Bearing	
30	81007380/0	2	Wheel	
31	12521350/0	4	Washer	
32	12155000/0	2	Nut	
33	22110511/0	2	Hub Cap, Grey D.300	
41	12691800/0	1	Screw	
41	12793701/0	3	Screw	
42	12155000/0	1	Nut	
42	12293201/0	3	Nut	
43	12731350/0	4	Screw	
44	22545152/0	2	Plate	

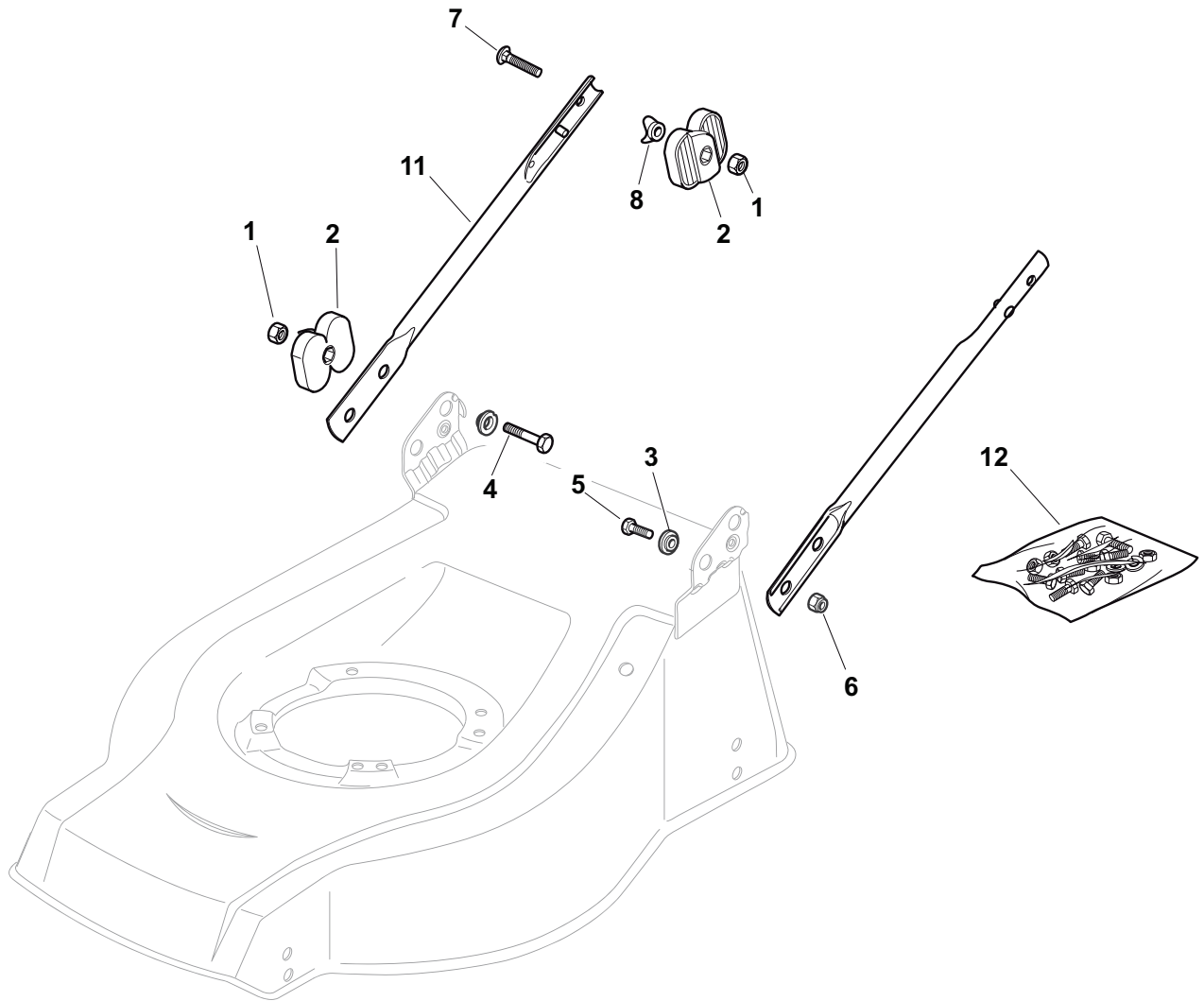
Protection, Belt



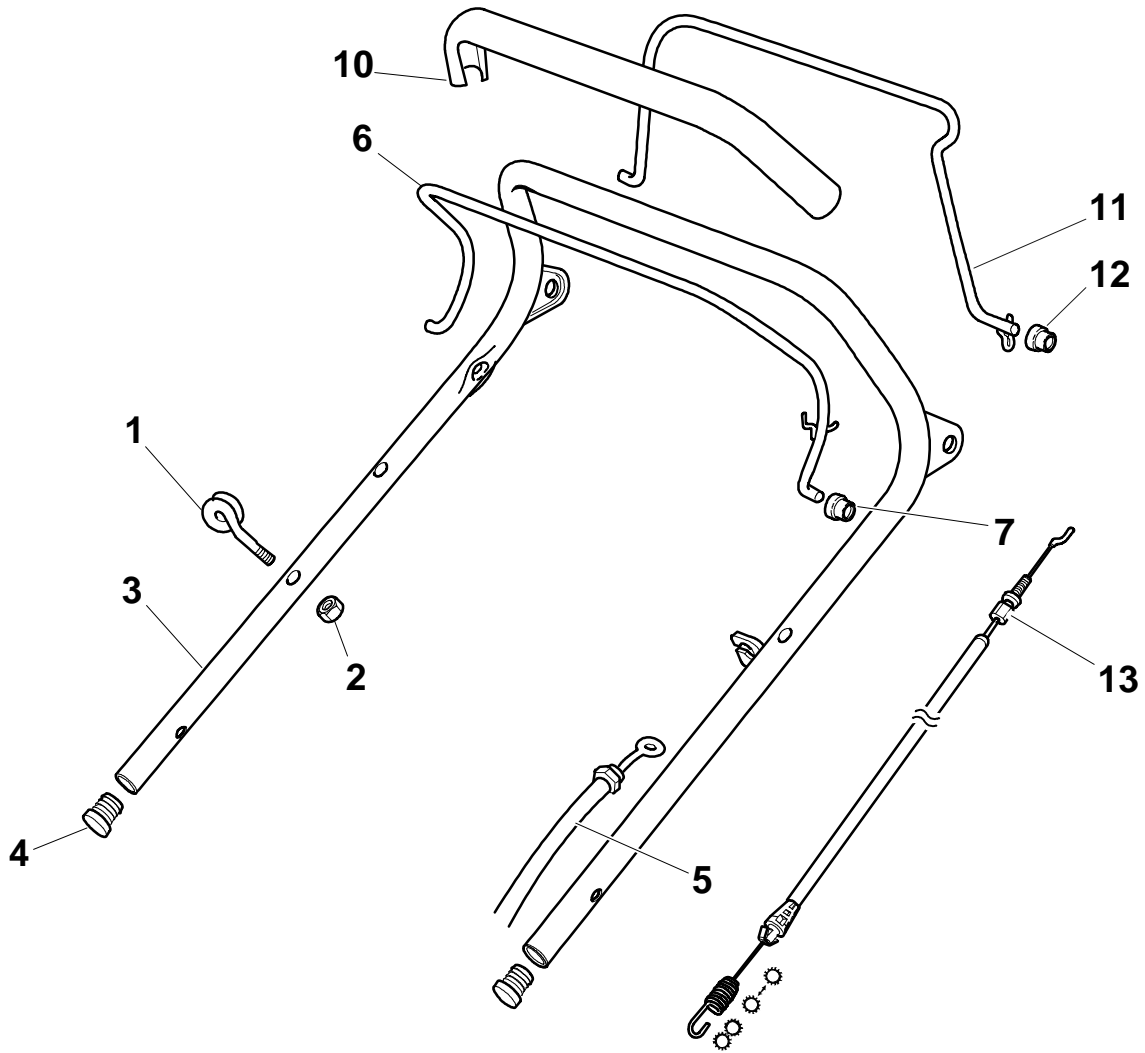
Pos.	Part no.	Q.ty	Description	Remarks
------	----------	------	-------------	---------

1	22140222/0	1	Deflector	
2	322060197/2	1	Protection	
3	12728530/0	3	Screw	
4	22291150/0	1	Rubber Insert	

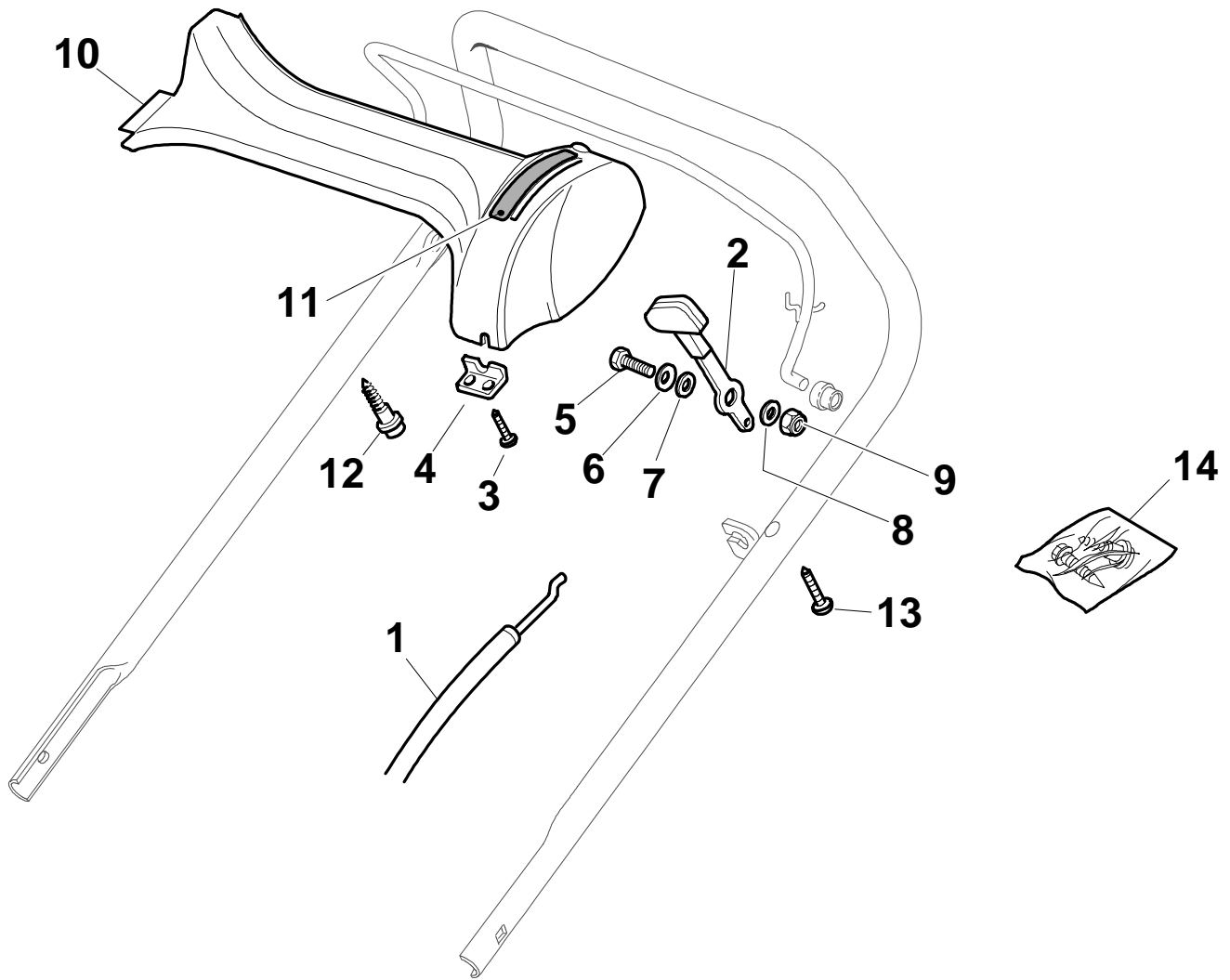
Handle, Lower Part



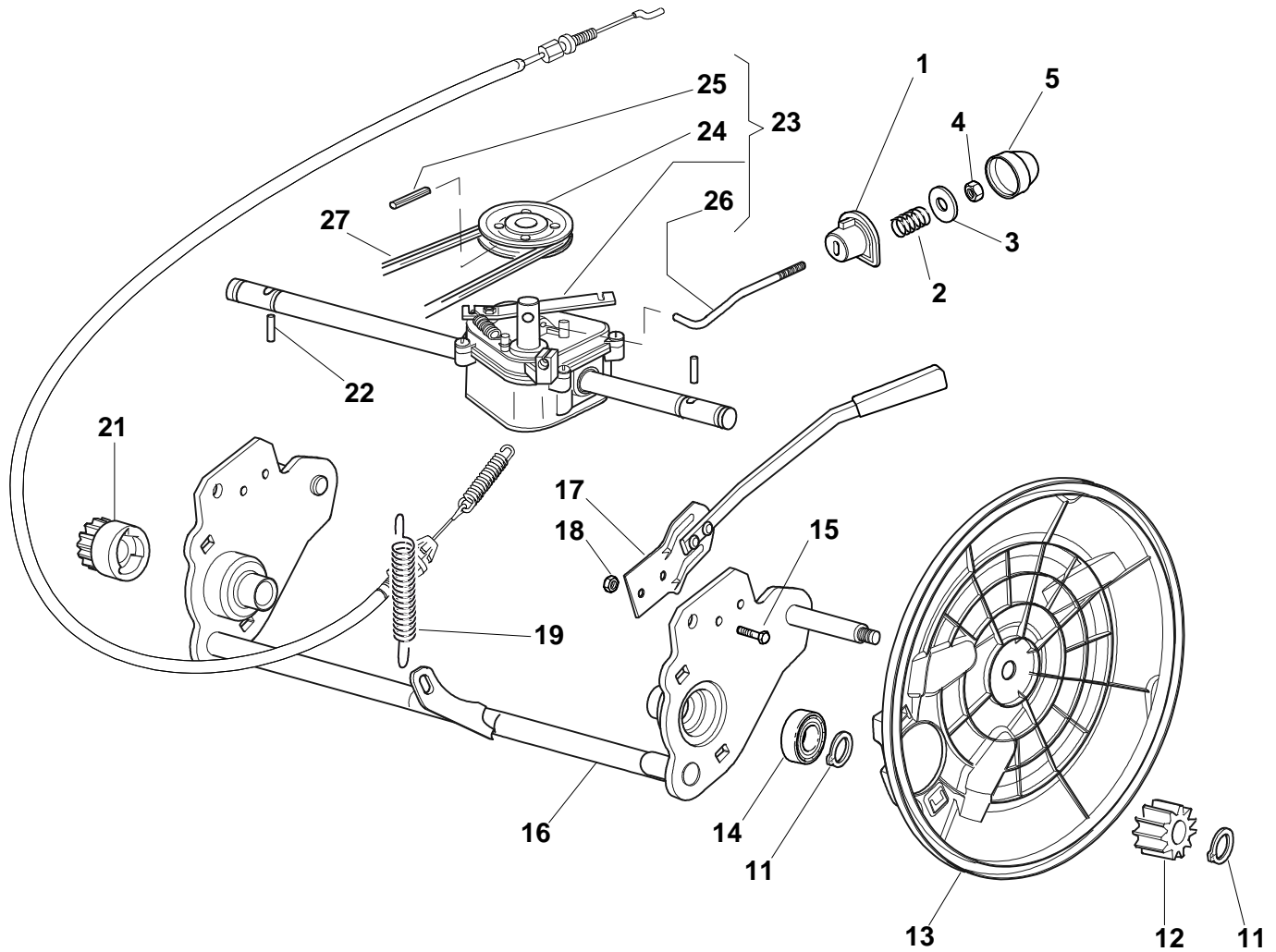
Pos.	Part no.	Q.ty	Description	Remarks
1	12293202/0	4	Nut	
2	22399803/0	4	Knob	
3	22041955/0	4	Bush	
4	12793700/0	2	Screw	
5	12792610/0	2	Screw	
6	12155000/0	2	Nut	
7	12819125/0	2	Screw	
8	22680006/1	2	Washer	
11	81006973/0	2	Handle, Lower Part	
12	81008633/0	1	Outfit, Screws	

Handle, Upper Part


Pos.	Part no.	Q.ty	Description	Remarks
1	22430309/0	1	Guide Spring	
2	12154330/0	1	Nut	
3	81006981/0	1	Handle, Upper Part	
4	18566112/0	2	Cap	
5	181000761/0	1	Cable, Thread Engine Brake	534 W TR (B&S 625-675 Series)
5	181000761/0	1	Cable, Thread Engine Brake	534 W TR (B&S 500 Series)
5	181030009/0	1	Cable, Thread Engine Brake	534 W TR (B&S 700 Series)
5	81000616/1	1	Cable, Thread Engine Brake	534 W TR (Honda Gcv 135-160)
5	81000622/2	1	Cable, Thread Engine Brake	534 W TR (Ggp 150cc)
5	81000756/0	1	Cable, Thread Engine Brake	534 W TR (Ggp 196cc)
5	81000756/0	1	Cable, Thread Engine Brake	534 W TR (Ggp 160cc)
5	81000756/0	1	Cable, Thread Engine Brake	534 W TR (Ggp 140cc)
6	81003291/3	1	Lever, Engine Brake	
7	22041966/0	2	Bush	
10	22291050/0	1	Handgrip Black	
11	22041965/1	2	Bush	
12	81003288/1	1	Lever, Driving	
13	81000668/1	1	Cable, Rear Drive	(General Transmission)
13	81000672/0	1	Cable, Rear Drive	(Bi Ci Di)

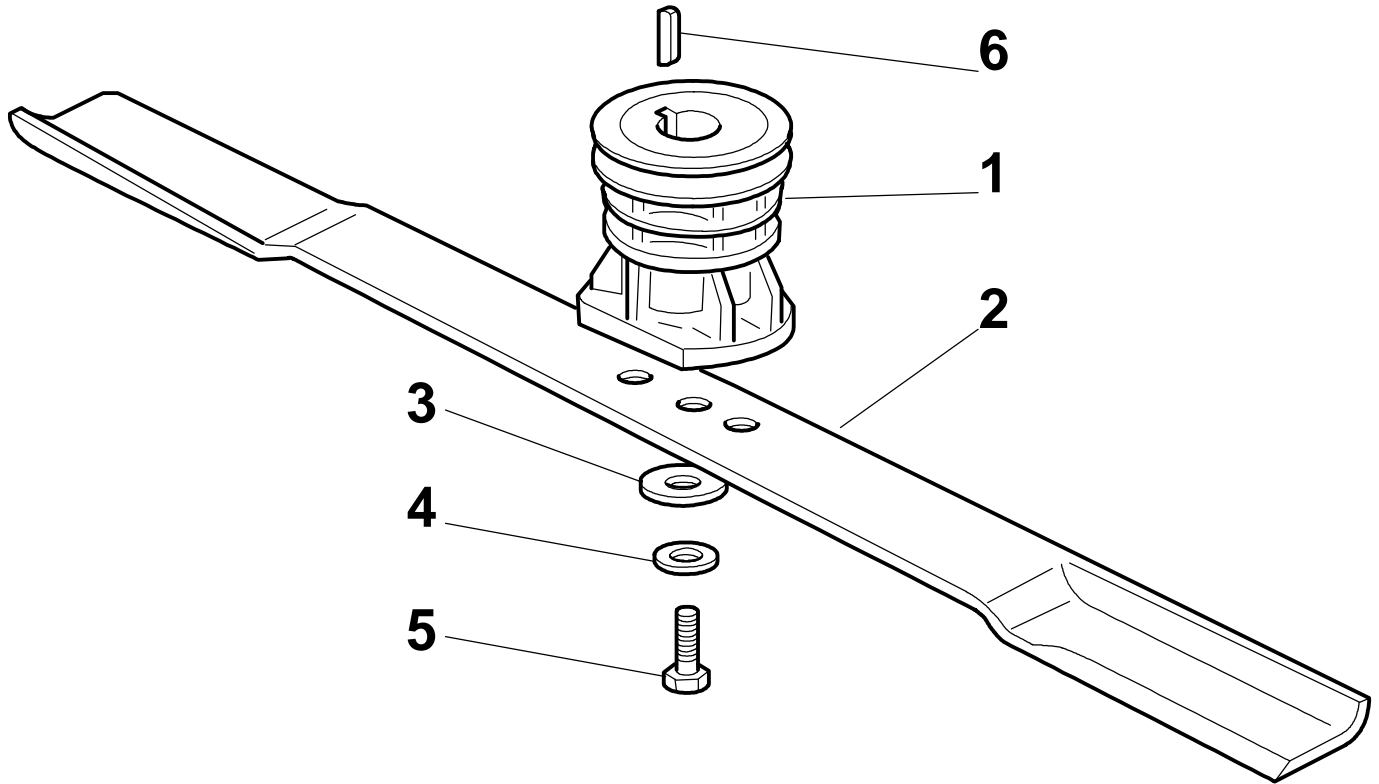
Dash Board


Pos.	Part no.	Q.ty	Description	Remarks
1	81007160/0	1	Cable, Trottle	
2	81007221/0	1	Lever, Throttle	(B&S 450-500 Series - Ggp 150 cc)
2	81007280/2	1	Lever, Throttle	(B&S 625-675-700 Series - Honda - Ggp 140-160-196 cc)
3	12735105/0	2	Screw	
4	22981467/0	1	Plate	
5	12791500/0	1	Screw	
6	12530060/0	1	Elastic Washer	
7	12523040/0	1	Washer	
8	12523040/0	1	Washer	
9	12154510/0	1	Nut	
10	22120172/0	1	Dash Board Black	
10	22120173/0	1	Dash Board Red	
10	22120174/0	1	Dash Board Yellow	
11	114356743/1	1	Label	(GGP)
11	114356743/1	1	Label	(Honda)
11	114356744/1	1	Label	(B&S)
11	114356906/1	1	Label	(B&S 700 series DOV)
11	114357646/1	1	Label	(Honda GCV 160-190 Autochoke)
12	22943006/0	1	Screw	
13	12728460/0	1	Screw	
14	81008609/0	1	Outfit, Dash-Board Screws	

Rear Drive


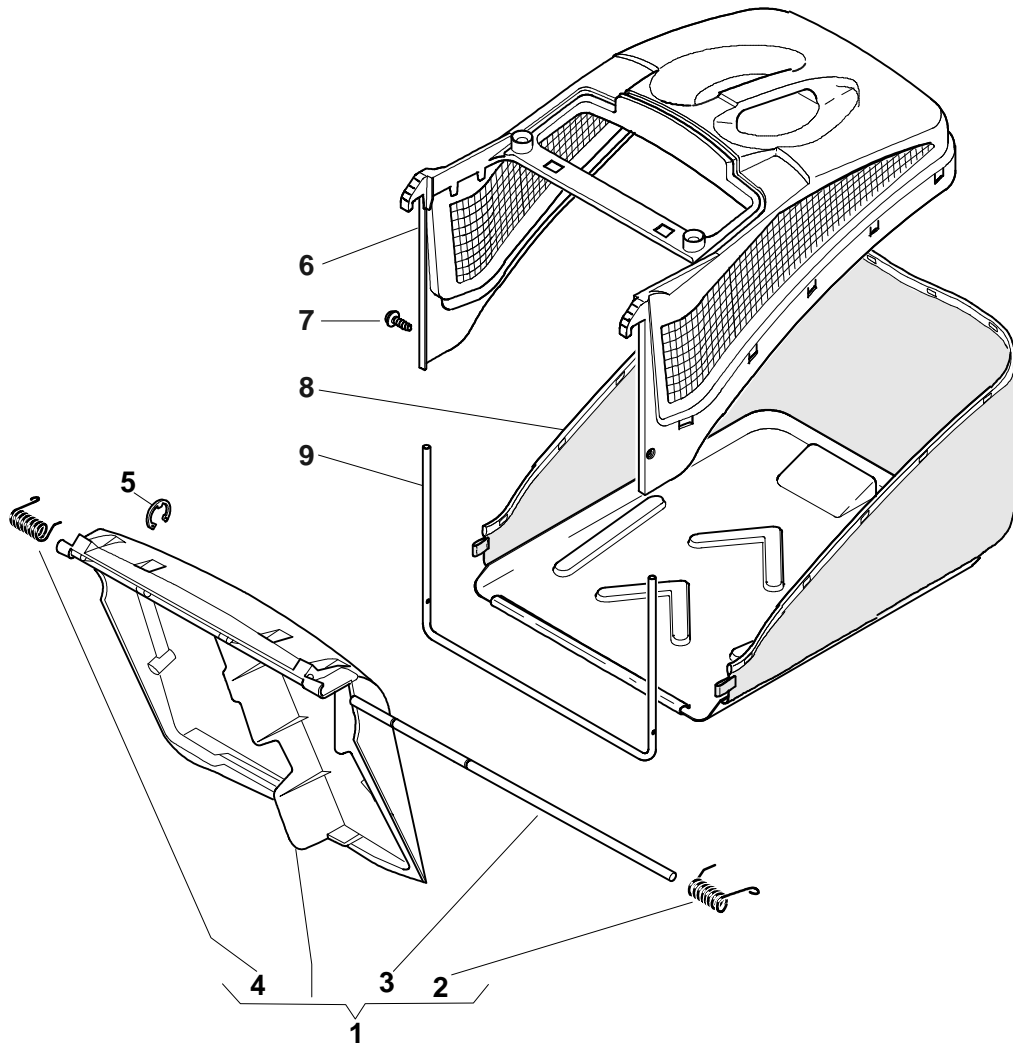
Pos.	Part no.	Q.ty	Description	Remarks
1	22041957/1	1	Bush	
2	22450063/0	1	Spring	
3	22680009/0	1	Washer	
4	12154510/0	1	Nut	
5	22110230/0	1	Cap	
11	12608600/0	4	Snap Ring	
12	22570110/1	1	Pinion R	
13	22600160/0	2	Protection, Wheel	
14	19216035/0	2	Bearing	
15	12789000/0	2	Screw	
16	381002853/2	1	Axle, Rear Wheels	
17	381003326/0	1	Lever, Height Adjustment	
18	12154330/0	2	Nut	
19	122450454/0	1	Spring	
21	22570120/1	1	Pinion L	
22	22753000/0	2	Pin	
23	81003092/0	1	Gear Box	
24	22601904/0	1	Pulley	
25	12645705/0	1	Pin	
26	22033283/0	1	Adjustment Rod	
27	35063902/0	1	Belt	

Blade



Pos.	Part no.	Q.ty	Description	Remarks
1	122465607/3	1	Hub With Pulley, Crankshaft Ø 22.2	
2	81004381/1	1	Blade Standard	
2	81004398/0	1	Blade Standard	
3	22160400/0	1	Elastic Washer	
4	12523080/0	1	Washer	
5	12735698/0	1	Screw	
6	12139100/0	1	Key	

Grass-Catcher



Pos.	Part no.	Q.ty	Description	Remarks
1	381008021/2	1	Stone-Guard Black	
2	22450410/1	1	R Spring	
3	22517906/1	1	Pin	
4	22450420/1	1	L Spring	
5	12000930/0	1	Snap Ring	
6	22486093/0	1	Grass-Box, Upper	
7	12728445/0	2	Screw	
8	81002195/0	1	Box, Fabric	
9	22608523/0	1	Stiffening Lower	