



Green Passion

Illustrated Parts List

XSM 52 BS

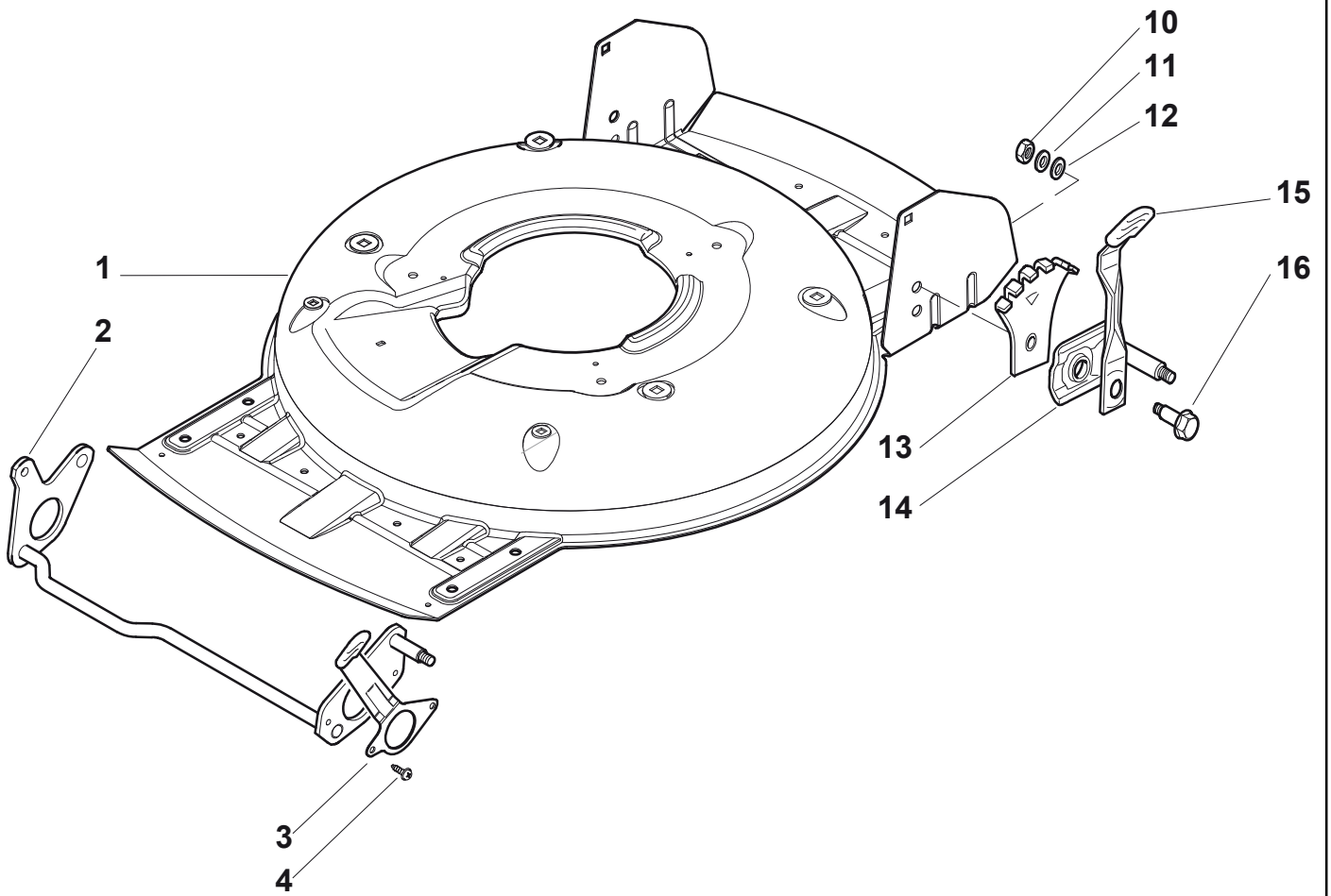
Model Year 2012

- Use GLOBAL GARDEN PRODUCT Genuine Spare Parts specified in the parts list for repair and/or replacement.
- The contents described in the parts list may change due to improvement.
- The drawings of the spare parts are only indicative and might not represent the part in question exactly.
- The indications "right" - "left" - "front" - "rear" refer to the position of the operator when using the machine.
- When placing orders of parts for repair and/or replacement, make sure that the illustrated parts list is the one applying to the machine's year of manufacture, as shown on the identification plate attached to the machine.

© Copyright 2012 Global Garden Products

All content is subject to copyright by Global Garden Products and may not be reproduced in whole or in part by any means, electronic or otherwise, without prior written approval.

THIS INFORMATION IS NOT INTENDED FOR SALE OR RESALE, AND THIS NOTICE MUST REMAIN ON ALL COPIES.

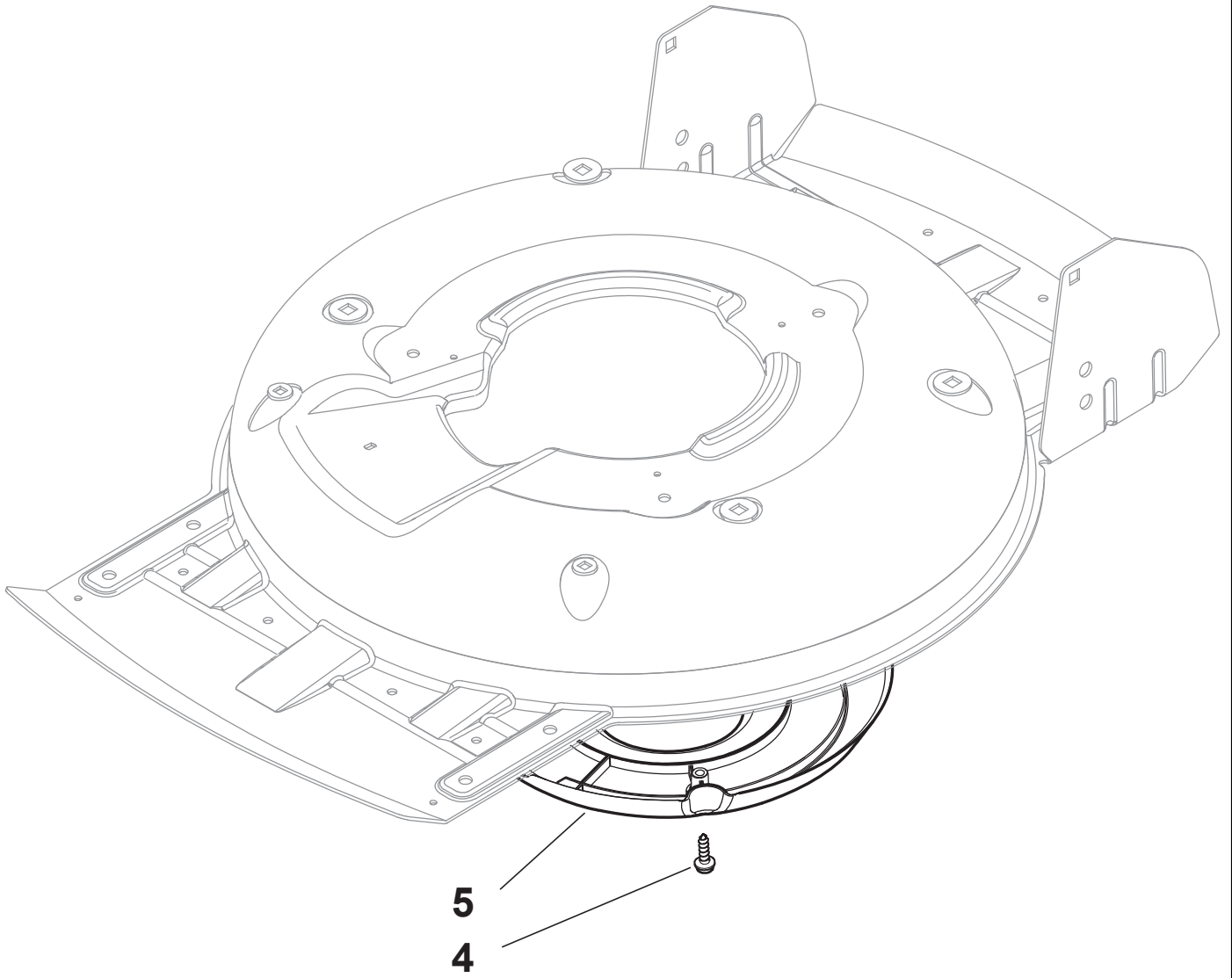




XSM 52 BS

Deck And Height Adjusting

Pos.	Part no.	Q.ty	Description	Remarks
1	81002907/1	1	Deck Yellow	
2	81002849/0	1	Axle, Front Wheels	
3	81003276/0	1	Lever, Height Adjustment	
4	12735661/0	2	Screw	
10	12293200/0	2	Nut	
11	12583500/0	2	Grower	
12	12523070/0	2	Washer	
13	22735547/0	2	Sector, Height Adjustment	
14	81005082/0	2	Support, Wheel	
15	81003286/0	2	Lever, Height Adjustment	
16	22519811/0	2	Pin	

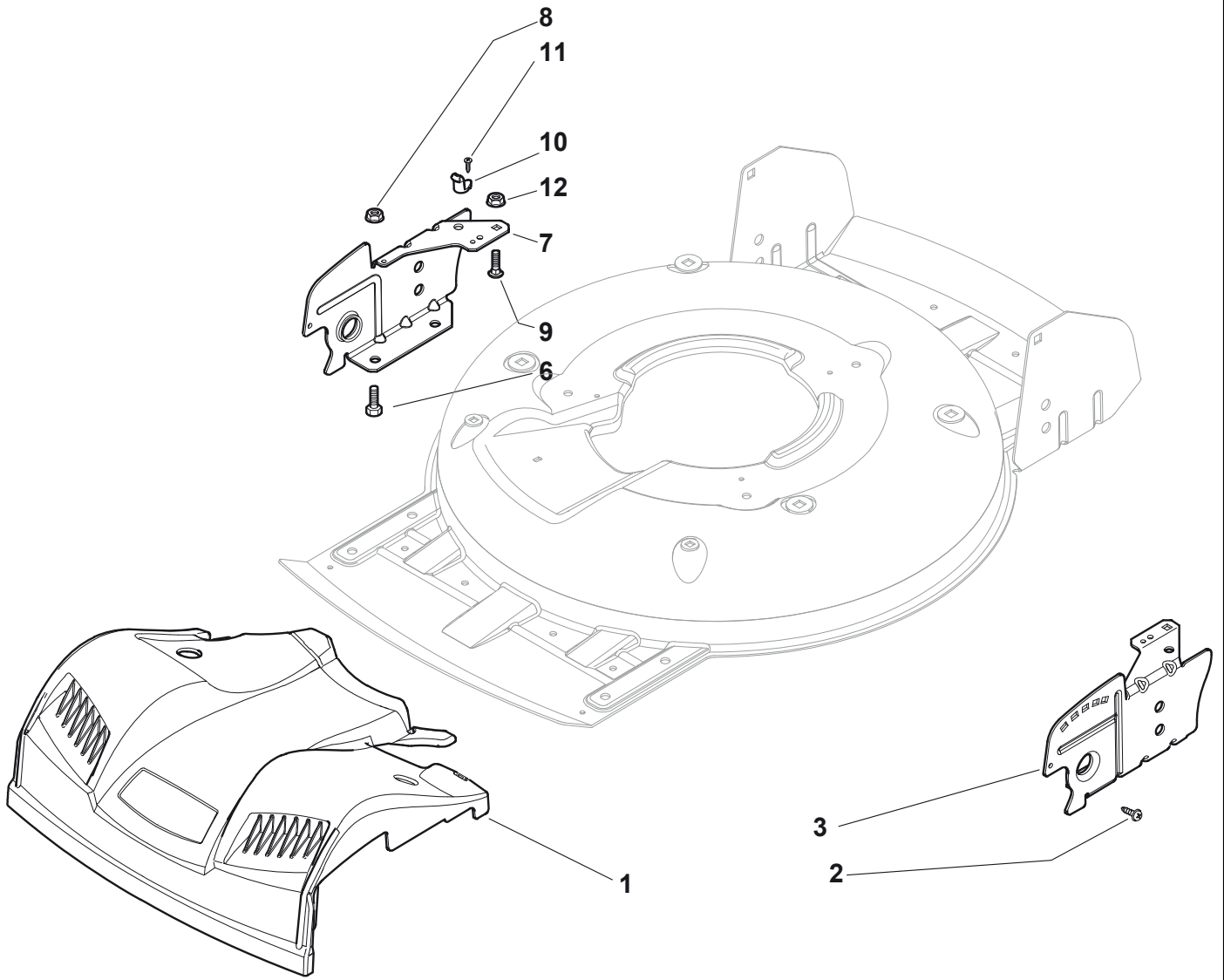




XSM 52 BS

Protection, Belt

Pos.	Part no.	Q.ty	Description	Remarks
4	12728530/0	3	Screw	
5	22060220/0	1	Protection	

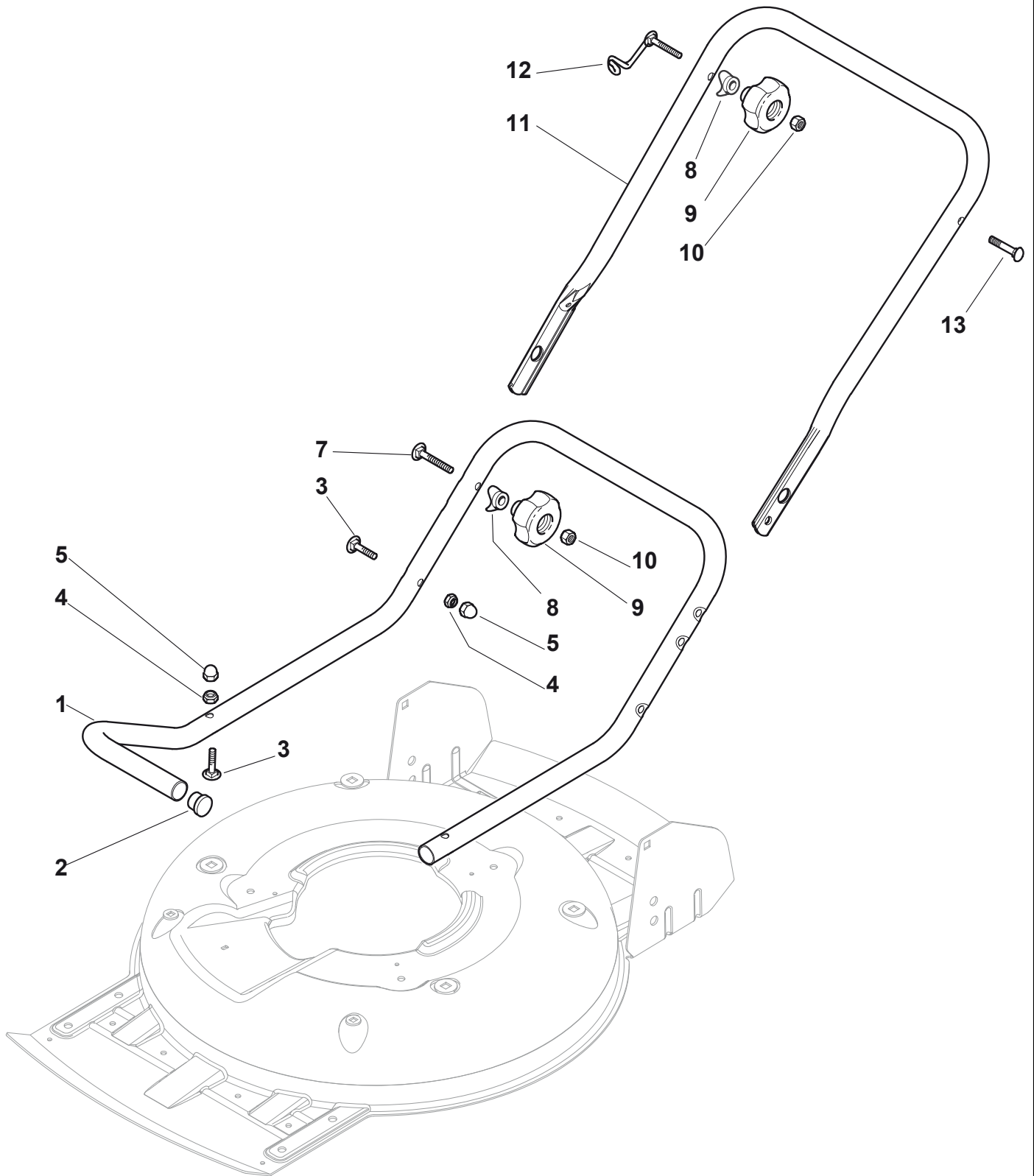




XSM 52 BS

Mask

Pos.	Part no.	Q.ty	Description	Remarks
1	322226098/1	1	Mask, Grey	
2	12728523/0	2	Screw	
3	22778421/0	1	Bracket, L	
6	12792611/0	4	Screw	
7	22778419/0	1	Bracket, R	
8	12293201/0	4	Nut	
9	12815200/0	2	Screw	
10	22020400/0	2	Fairlead	
11	12728523/0	2	Screw	
12	12292102/0	2	Nut (Hydro)	

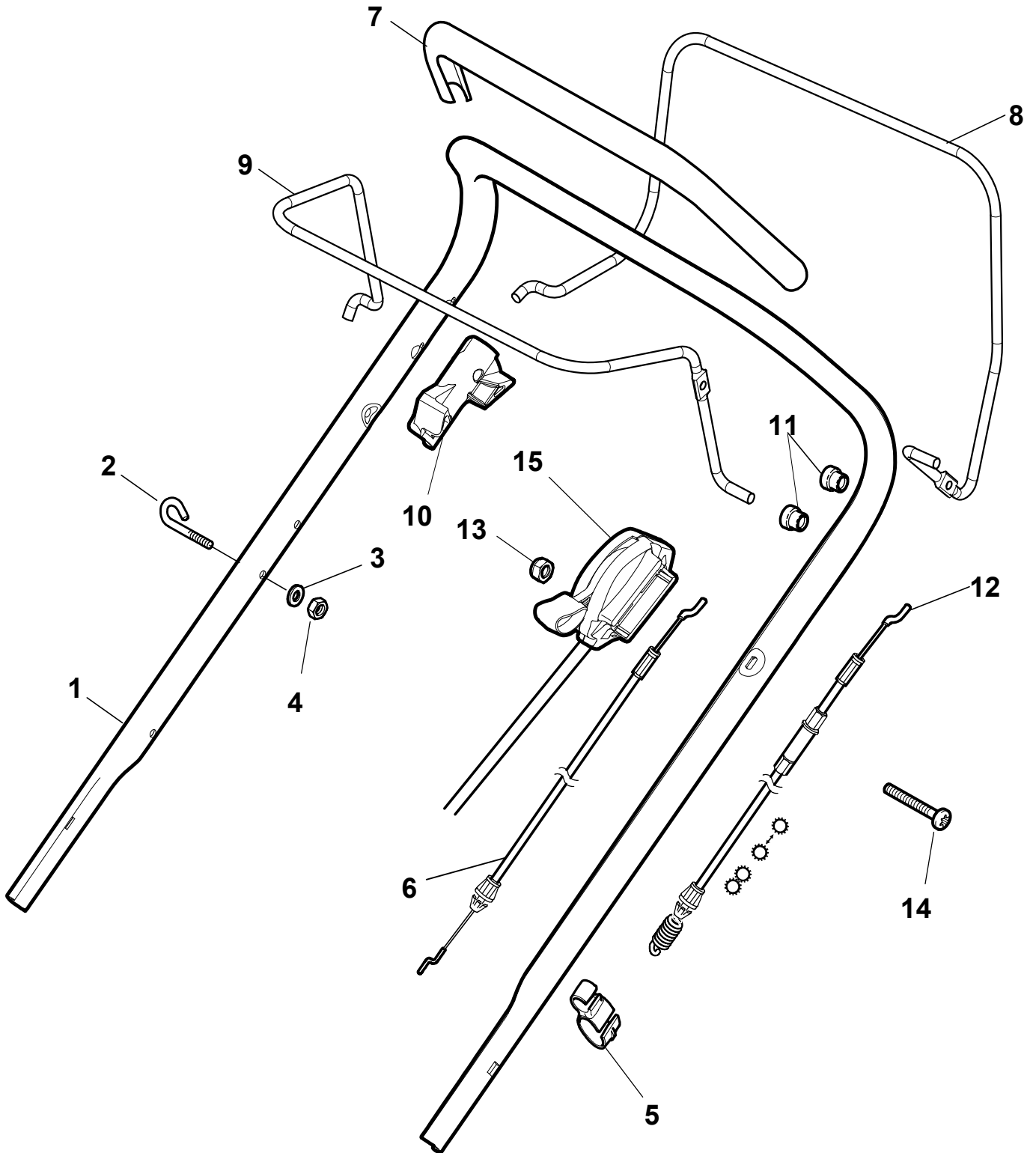




XSM 52 BS

Handle, Lower Part

Pos.	Part no.	Q.ty	Description	Remarks
1	81006667/0	1	Handle, Lower Part	
2	18566110/0	2	Cap	
3	12818900/0	4	Screw	
4	12155000/0	4	Nut	
5	18203854/0	4	Protection	
6	12818900/0	4	Screw	
7	12819201/0	2	Screw	
8	22680006/1	4	Washer	
9	322399804/1	4	Knob	
10	12293200/0	4	Nut	
11	81006668/0	1	Handle, Middle Part	
12	81003801/1	1	Guide Spring	
13	12819201/0	1	Screw	

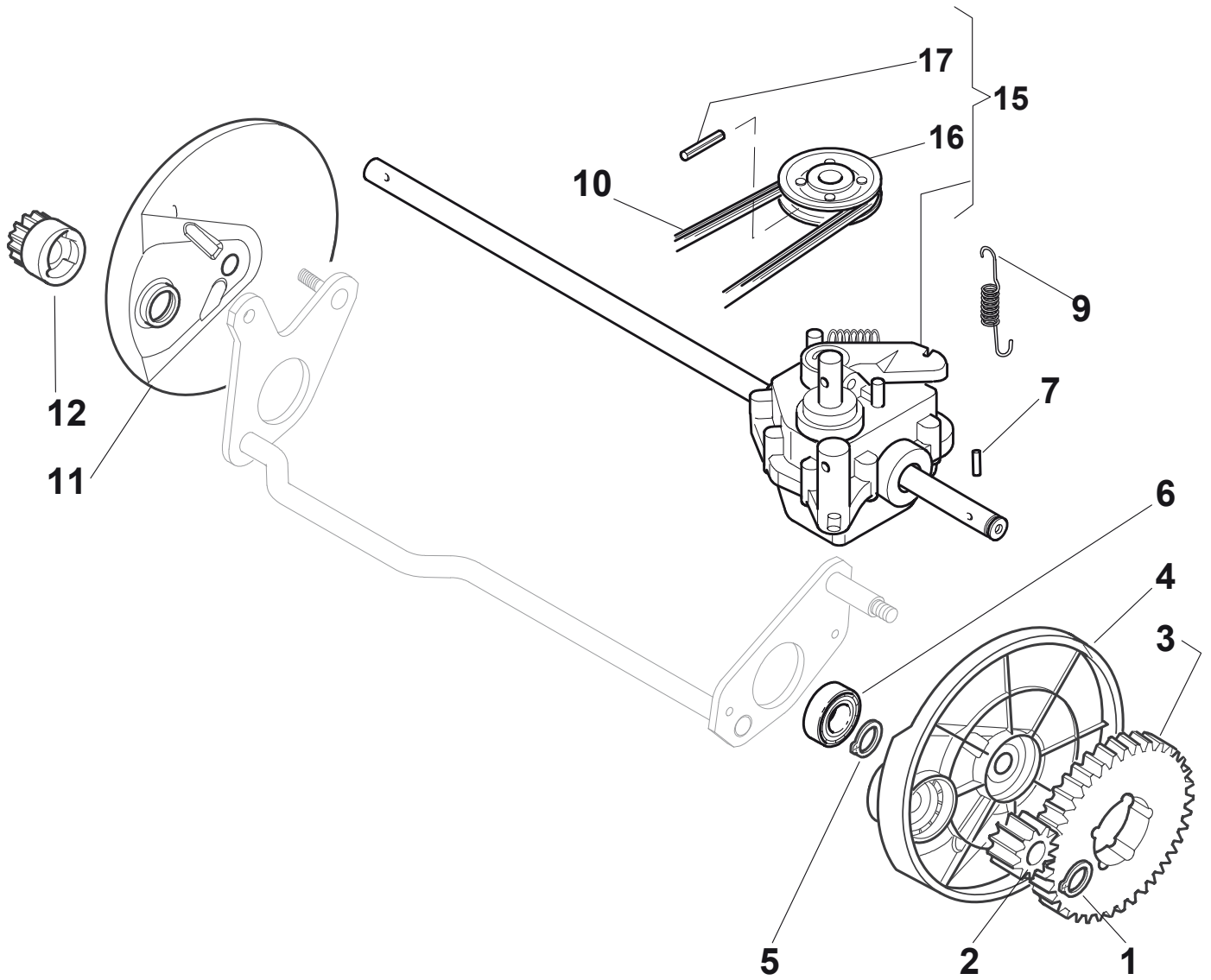




XSM 52 BS

Handle, Upper Part

Pos.	Part no.	Q.ty	Description	Remarks
1	381006887/0	1	Handle, Upper Part	
2	22430313/0	1	Guide Spring	
3	12521330/0	1	Washer	
4	12154510/0	1	Nut	
5	118390020/0	1	Fairlead	
6	181030056/0	1	Cable, Thread Eng. Brake	
7	22291050/0	1	Handgrip Black	
8	181003363/1	1	Lever, Engine Brake	
9	181003364/0	1	Lever, Driving	
10	322545204/0	1	Fulcrum Pin	
11	22041966/0	4	Bush	
12	381030083/0	1	Cable, Rear Drive	
13	12727783/0	1	Screw	
14	12154510/0	1	Nut	
15	181005511/0	1	Throttle Cable	

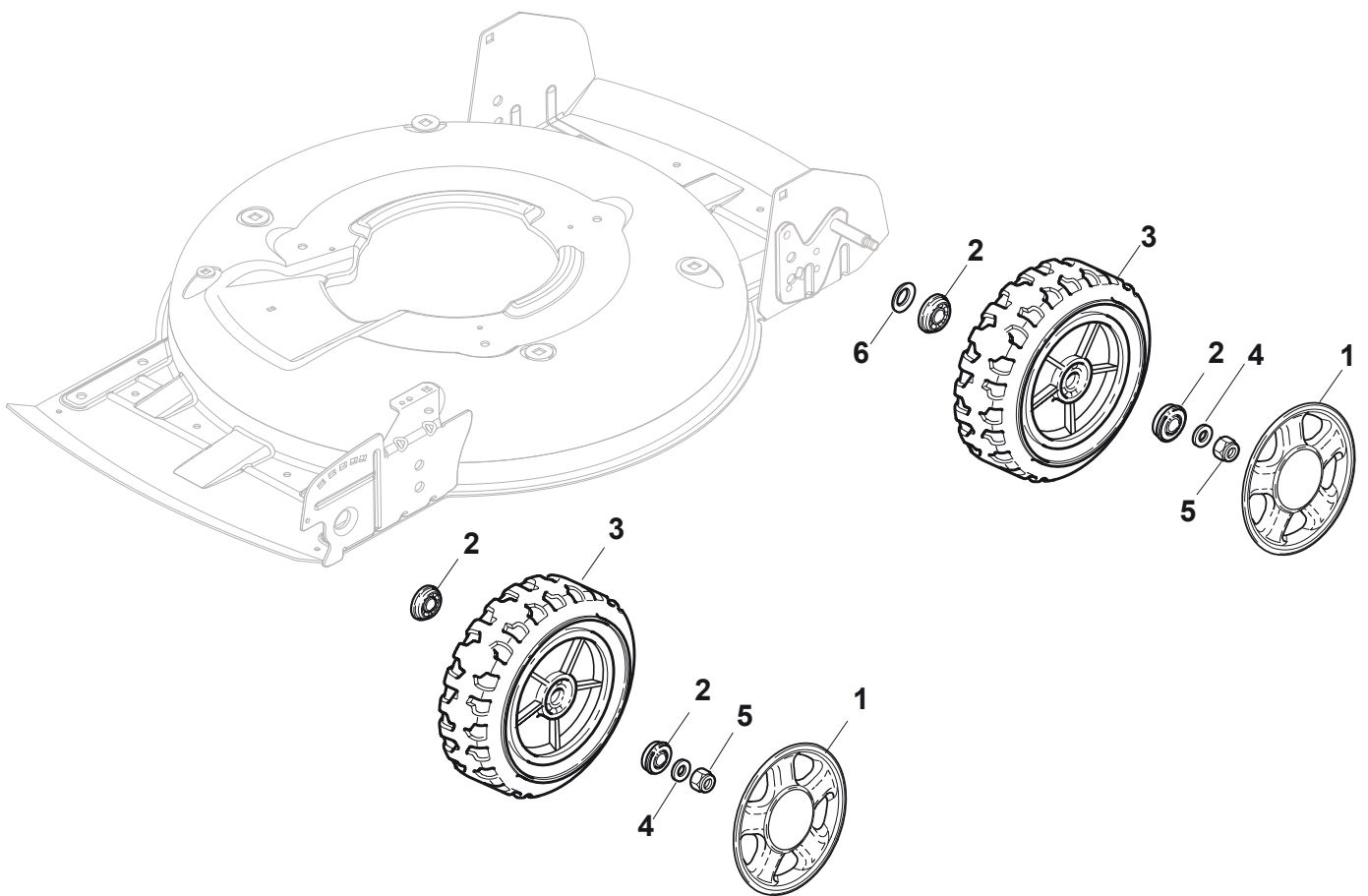




XSM 52 BS

Rear Drive

Pos.	Part no.	Q.ty	Description	Remarks
1	12608600/0	2	Seeger	
2	22570120/1	1	Pinion L	
3	22120105/1	2	Ring Gear	
4	22600092/0	1	Protection, R Wheel	
5	12608600/0	2	Seeger	
6	19216035/0	2	Bearing	
7	22753000/0	2	Pin	
9	22450437/0	1	Spring	
10	35063902/0	1	Belt Z 29.5	
11	22600093/0	1	Protection, L Wheel	
12	22570110/1	1	Pinion R	
15	81003095/0	1	Gear Box	
16	22601904/0	1	Pulley	
17	12645705/0	1	Pin	

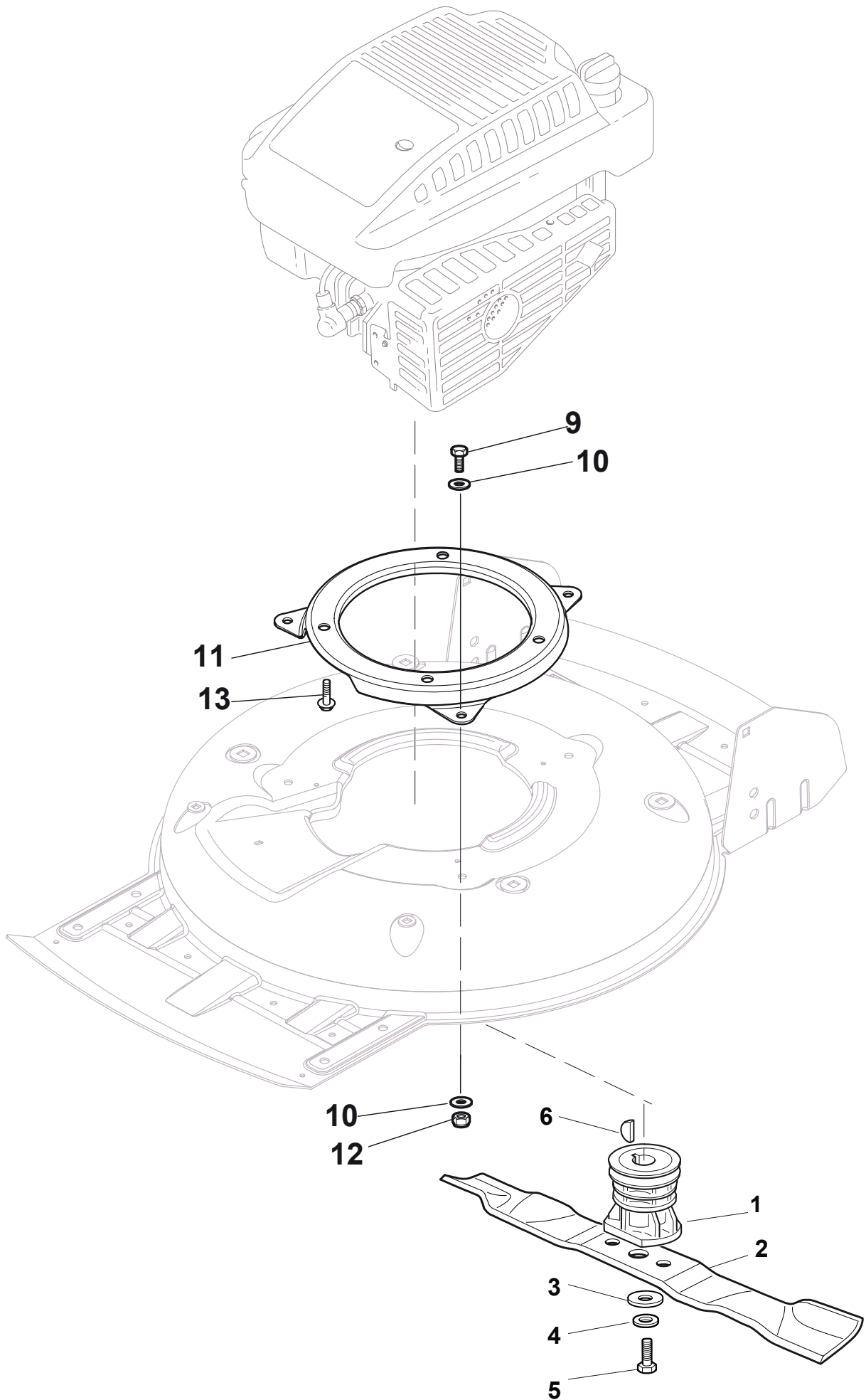




XSM 52 BS

Wheel and Hub Cap

Pos.	Part no.	Q.ty	Description	Remarks
1	22110382/0	4	Hub Cap	
2	22122200/0	8	Bearing	
3	381007390/1	4	Wheel Ø 210	
4	12521350/0	4	Washer	
5	12155000/0	4	Nut	
6	12530150/0	2	Elastic Washer	





XSM 52 BS

Blade

Pos.	Part no.	Q.ty	Description	Remarks
1	122465607/3	1	Hub With Pulley, Crankshaft Ø 22.2	
2	81004146/0	1	Blade Standard	
3	22160400/0	1	Dust Cover	
4	12523080/0	1	Washer	
5	12735698/0	1	Screw	
6	12139100/0	1	Feather, Crankshaft Ø 22.2	
9	12792611/0	3	Screw	
10	12523060/0	6	Washer	
11	322207219/1	1	Flange	
12	12293201/0	3	Nut	
13	112735108/1	3	Screw	