



Green Passion

Illustrated Parts List

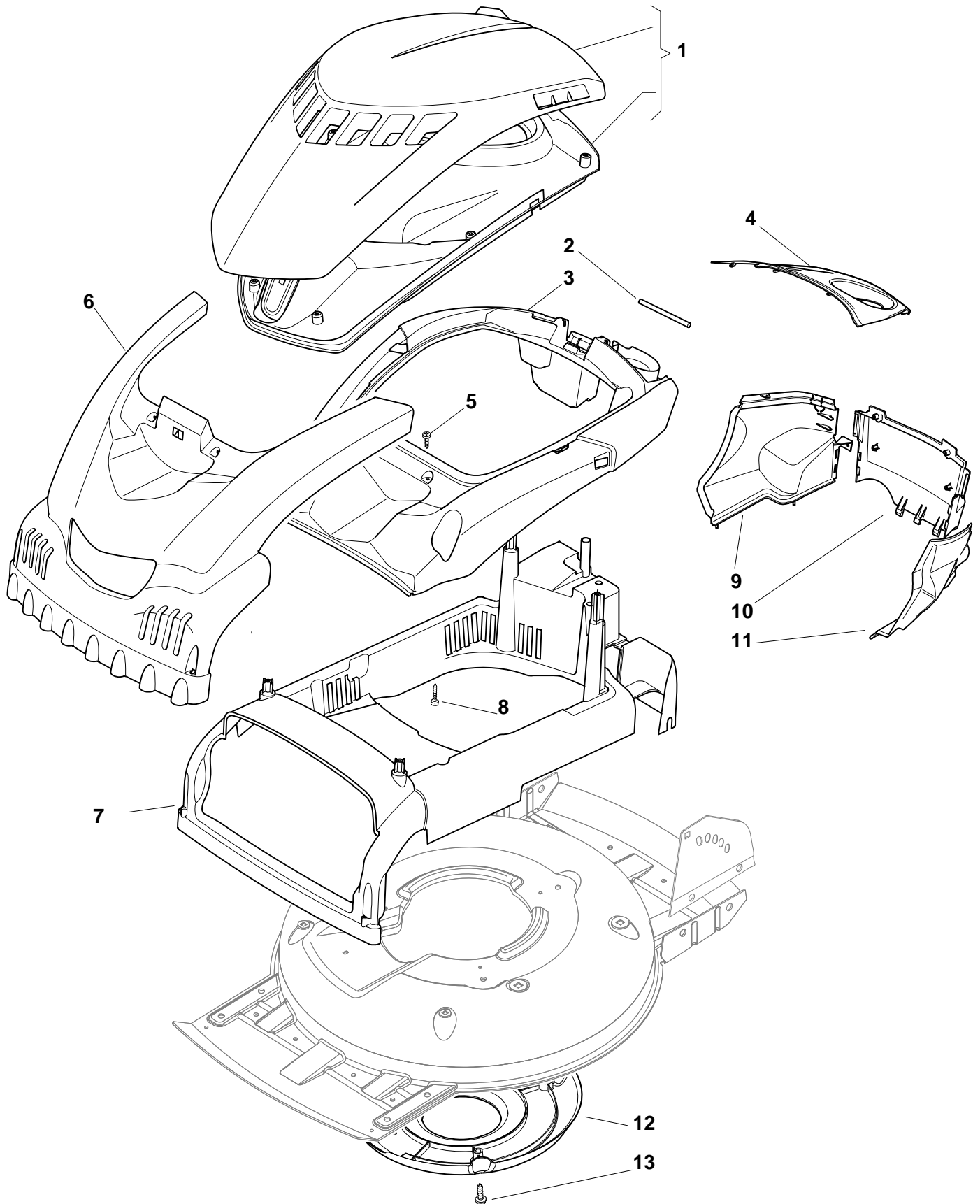
**XSM 52 GS SILENT MULCHING -
Model Year 2009**

- Use GLOBAL GARDEN PRODUCT Genuine Spare Parts specified in the parts list for repair and/or replacement.
- The contents described in the parts list may change due to improvement.
- The drawings of the spare parts are only indicative and might not represent the part in question exactly.
- The indications "right" - "left" - "front" - "rear" refer to the position of the operator when using the machine.
- When placing orders of parts for repair and/or replacement, make sure that the illustrated parts list is the one applying to the machine's year of manufacture, as shown on the identification plate attached to the machine.

COPYRIGHT by GLOBAL GARDEN PRODUCTS

All rights reserved. No part of this material may be reproduced or transmitted, in any form or by any means, electronic or mechanical, including photocopying, recording or by any information storage and retrieval system, without permission in writing from GLOBAL GARDEN PRODUCTS.

Chassis



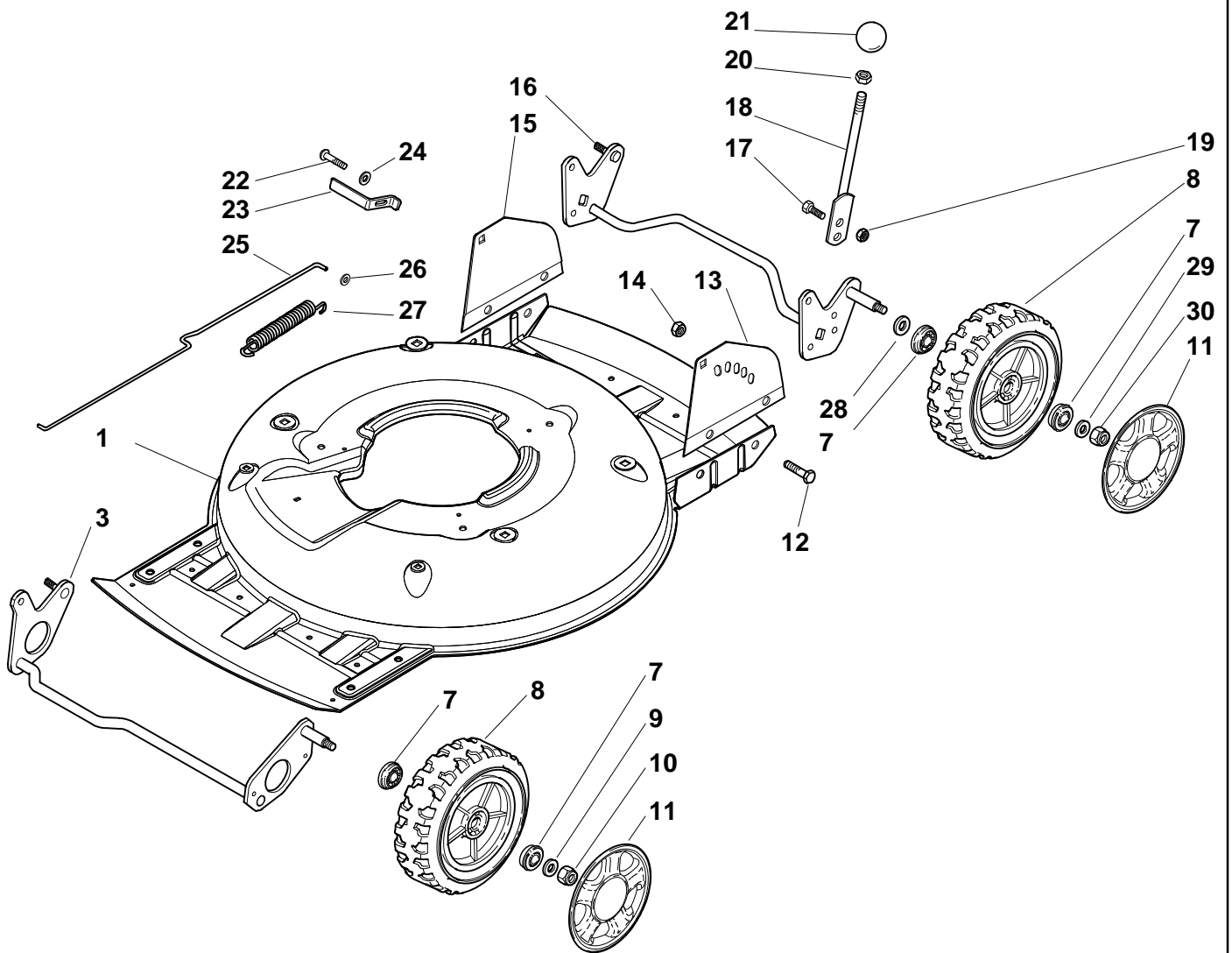


XSM 52 GS SILENT MULCHING - Model Year 2009

Chassis

Pos.	Part no.	Q.ty	Description	Remarks
1	381119702/0	1	Cover, Upper Grey	
2	122517861/0	1	Pin	
3	322109813/0	1	Cover, Upper Red Cast.	Castelgarden
3	322109813/0	1	Cover, Upper Red Cast.	Castelgarden
4	322109745/0	1	Cover, Grey	
4	322109818/0	1	Cover, Black	
5	112728706/0	6	Screw	
6	322109820/0	1	Mask, Red Cast.	Castelgarden
6	322109820/0	1	Mask, Red Cast.	Castelgarden
7	322109811/0	1	Cover, Lower Red Cast.	Castelgarden
7	322109811/0	1	Cover, Lower Red Cast.	Castelgarden
8	112728696/0	2	Screw	
9	322109799/0	1	Rear Cover, Grey	
10	322109798/0	1	Rear Cover, Grey	
11	322109800/0	1	Rear Cover, Grey	
12	322060227/0	1	Protection	
13	12728530/0	3	Screw	

Chassis/Wheels And Height Adjusting



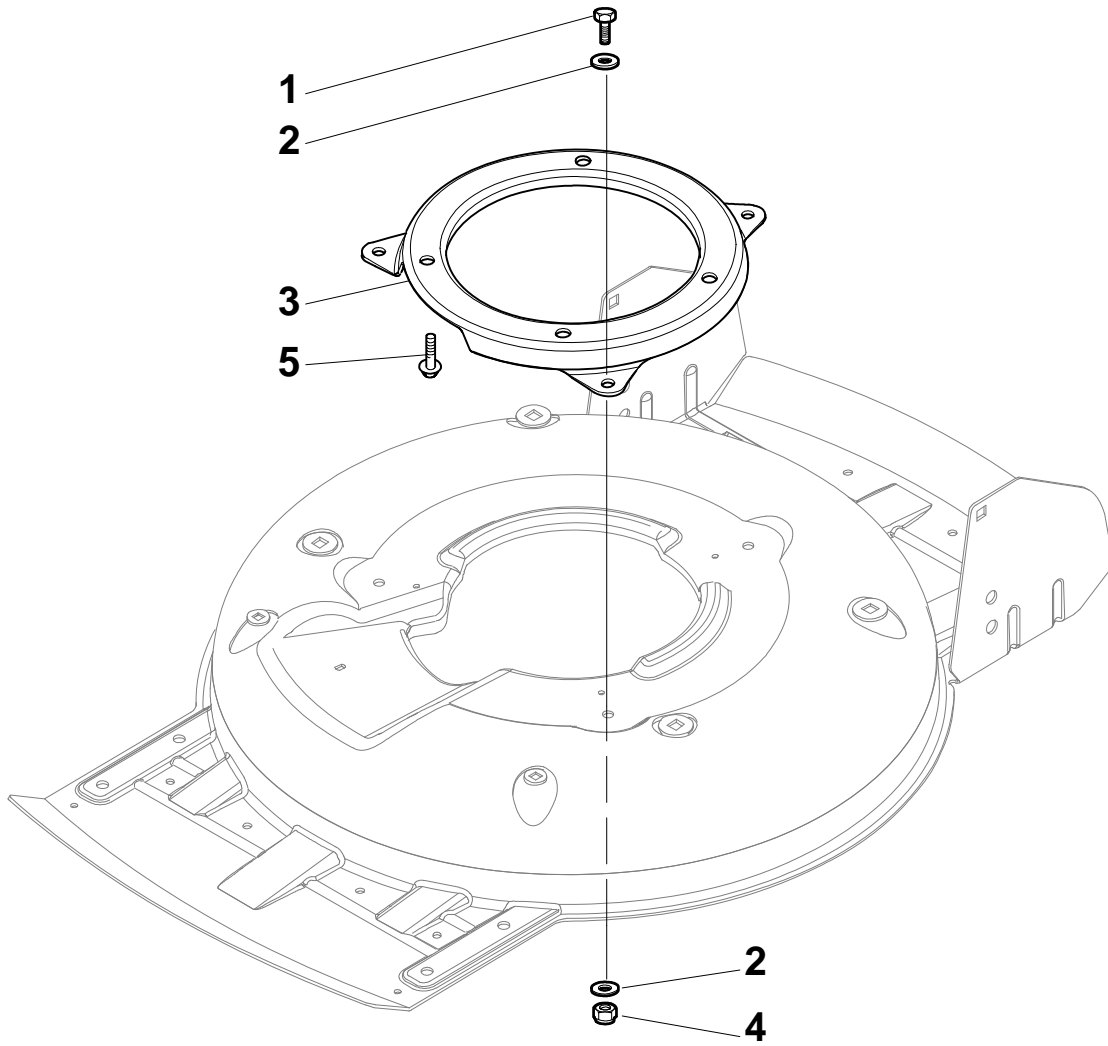


XSM 52 GS SILENT MULCHING - Model Year 2009

Chassis/Wheels And Height Adjusting

Pos.	Part no.	Q.ty	Description	Remarks
1	81002909/1	1	Deck Grey	
3	81002849/0	1	Axle, Front Wheels	
7	22122200/0	8	Bearing	
8	81007343/0	4	Wheel R 210	
9	12369500/0	2	Elastic Washer	
10	12155000/0	2	Nut	
11	22110382/0	4	Hub Cap	
12	12791011/0	4	Screw	
13	81545105/0	1	Left Plate	
14	12154510/0	4	Nut	
15	81545104/0	1	Right Plate	
16	81002851/0	1	Axle, Rear Wheels	
17	12789000/0	2	Screw	
18	81003323/0	1	Lever, Height Adjustment	
19	12154330/0	2	Nut	
20	12293200/0	1	Nut	
21	22399812/0	1	Knob	
22	12735661/0	2	Screw	
23	22551529/0	2	Plate	
24	12521330/0	2	Washer	
25	22033329/0	1	Rod, Height Adjustment Control	
26	12604899/0	2	Crown Fastener	
27	22446184/0	1	Spring	
28	12530150/0	2	Washer	
29	12521350/0	2	Washer	
30	12155000/0	2	Nut	

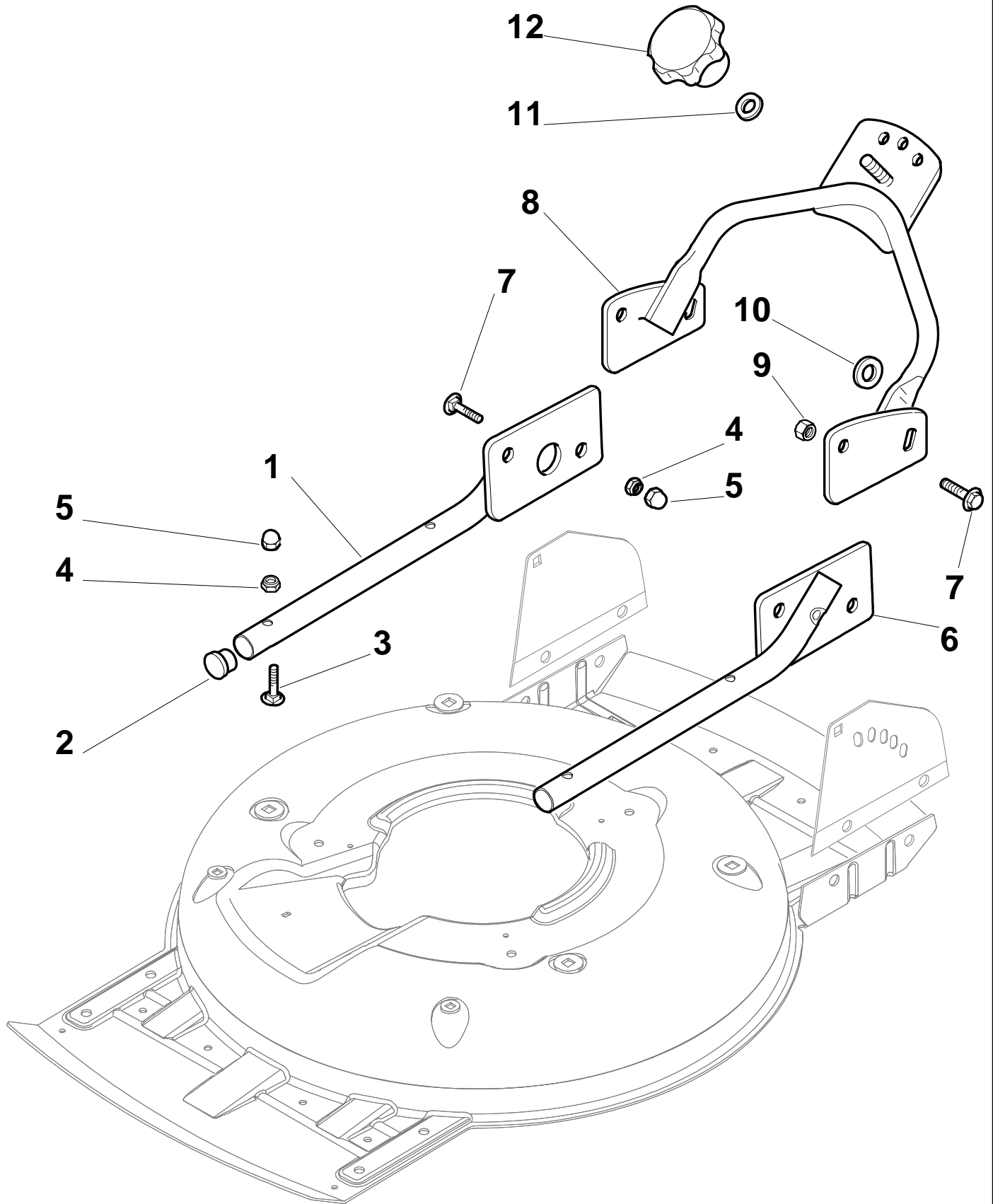
Support



Pos.	Part no.	Q.ty	Description	Remarks
------	----------	------	-------------	---------

1	12792611/0	3	Screw	
2	12523060/0	6	Washer	
3	322207219/1	1	Flange	
4	12293201/0	3	Nut	
5	112735108/1	3	Screw	

Handle, Lower Part



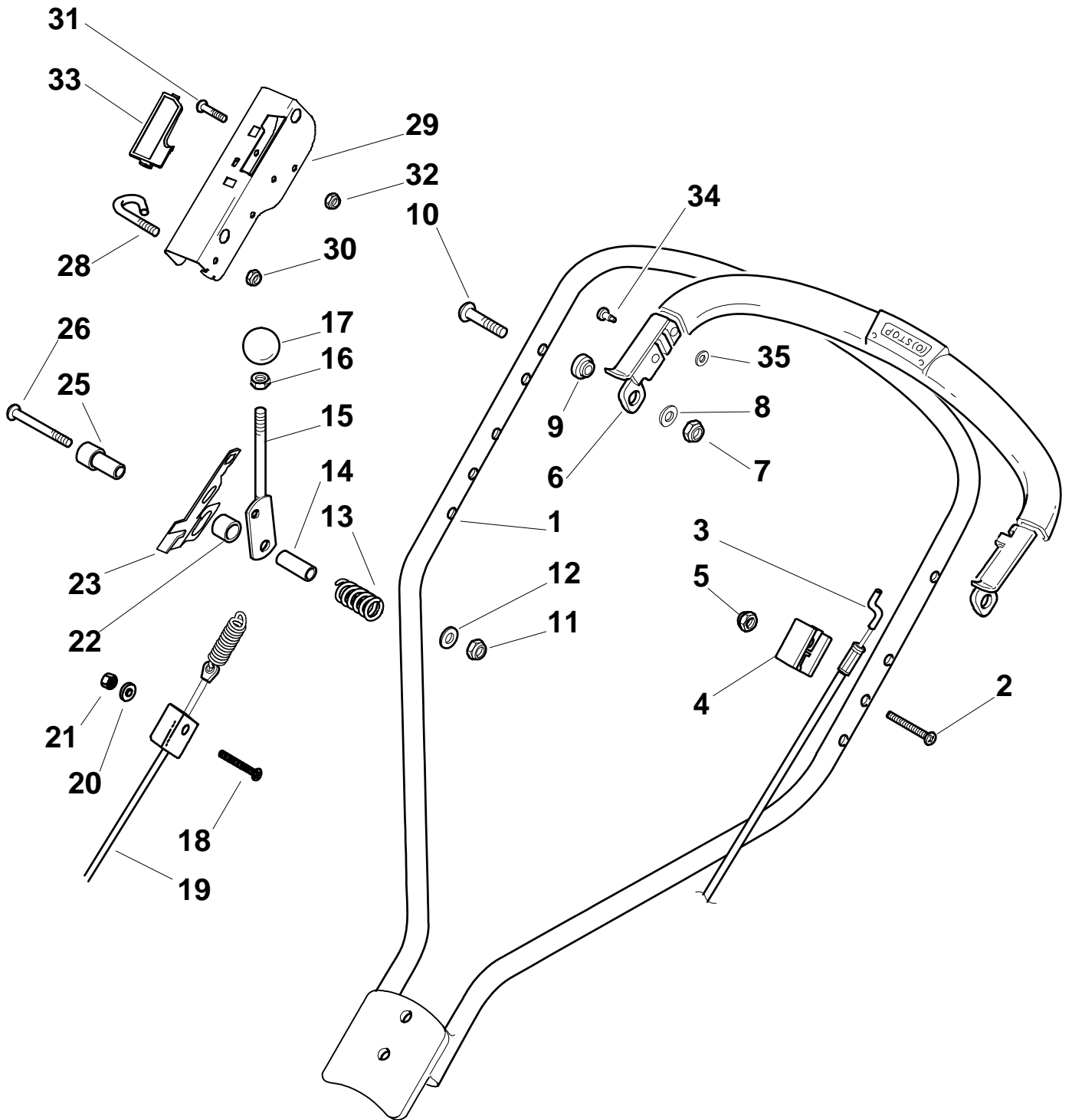


XSM 52 GS SILENT MULCHING - Model Year 2009

Handle, Lower Part

Pos.	Part no.	Q.ty	Description	Remarks
1	381006383/0	1	Right Handle, Lower Part	Black
1	381006383/0	1	Right Handle, Lower Part	Black
2	18566114/0	4	Cap	
3	12819100/0	6	Screw	
4	12155000/0	6	Nut	
5	18203854/0	6	Protection	
6	381006379/0	1	Left Handle, Lower Part Black	
6	381006379/0	1	Left Handle, Lower Part Black	
7	12793102/0	4	Screw	
8	81006365/0	1	Handle, Lower Part Black	
8	81006365/0	1	Handle, Lower Part Black	
9	12155000/0	4	Nut	
10	12523060/0	2	Washer	
11	12523080/0	1	Washer	
12	22399813/0	1	Knob	

Handle, Upper Part



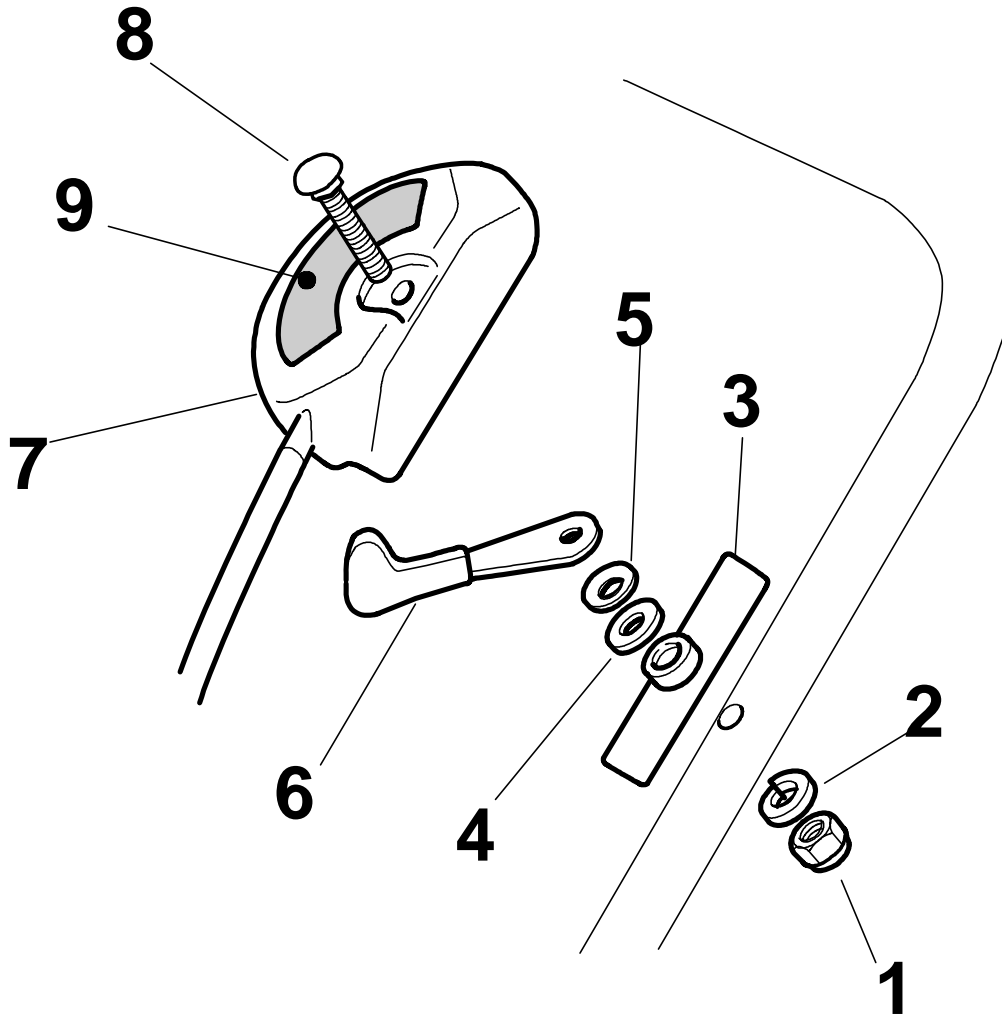


XSM 52 GS SILENT MULCHING - Model Year 2009

Handle, Upper Part

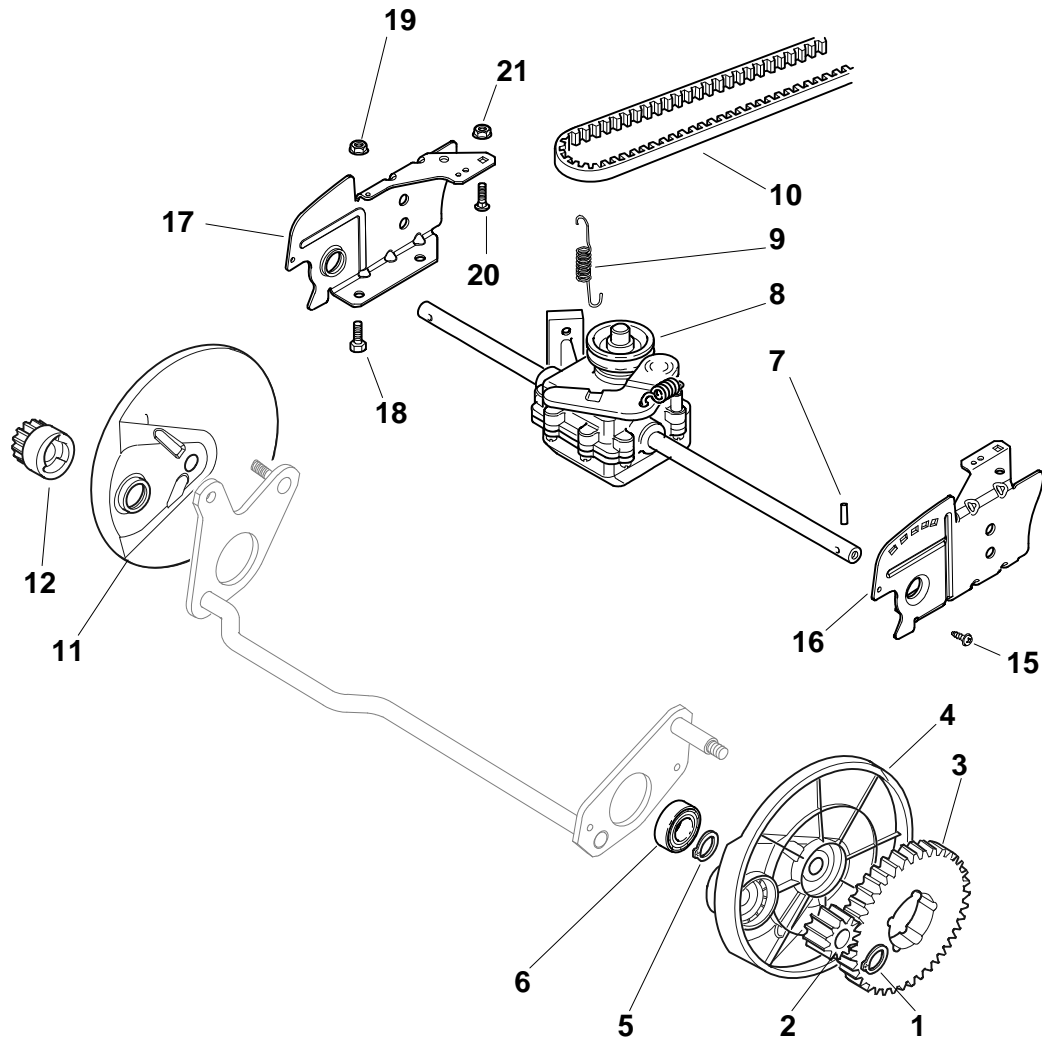
Pos.	Part no.	Q.ty	Description	Remarks
1	81006367/0	1	Handle, Upper Part, Black	
1	81006367/0	1	Handle, Upper Part, Black	
2	12727783/0	1	Screw	
3	181000618/0	1	Cable, Thread Engine Brake	(Ggp 160cc)
3	181000618/0	1	Cable, Thread Engine Brake	(Ggp 160cc)
3	181000618/0	1	Cable, Thread Engine Brake	(Ggp 160cc)
3	181000769/1	1	Cable, Thread Engine Brake	(B&S 450-500 Series)
3	181000769/1	1	Cable, Thread Engine Brake	(B&S 450-500 Series)
4	22551640/0	1	Plate	
5	12154510/0	1	Nut	
6	81003318/1	1	Lever, Engine Brake	
7	12154510/0	2	Nut	
8	12521330/0	2	Washer	
9	22671660/1	2	Washer	
10	12727784/0	2	Screw	
11	12292100/0	1	Nut	
12	12530060/0	1	Elastic Washer	
13	22450446/0	1	Spring	
14	22170840/0	1	Spacer	
15	81003313/0	1	Lever, Driving	
16	12293200/0	1	Nut	
17	22399812/0	1	Knob	
18	12727791/0	1	Screw	
19	381000745/1	1	Cable, Rear Drive	
20	12521330/0	1	Washer	
21	12154510/0	1	Nut	
22	22170843/0	1	Spacer	
23	22551653/0	1	Plate	
25	22170842/0	1	Spacer	
26	12727786/0	1	Screw	
28	22430314/0	1	Spring	
29	81004405/0	1	Dash Board	
30	12154510/0	1	Nut	
31	12727792/0	1	Screw	
32	12154510/0	1	Nut	
33	22500050/0	1	Shoe	
34	22524342/0	1	Pin	
35	12604897/0	1	Snap Ring	

Controls



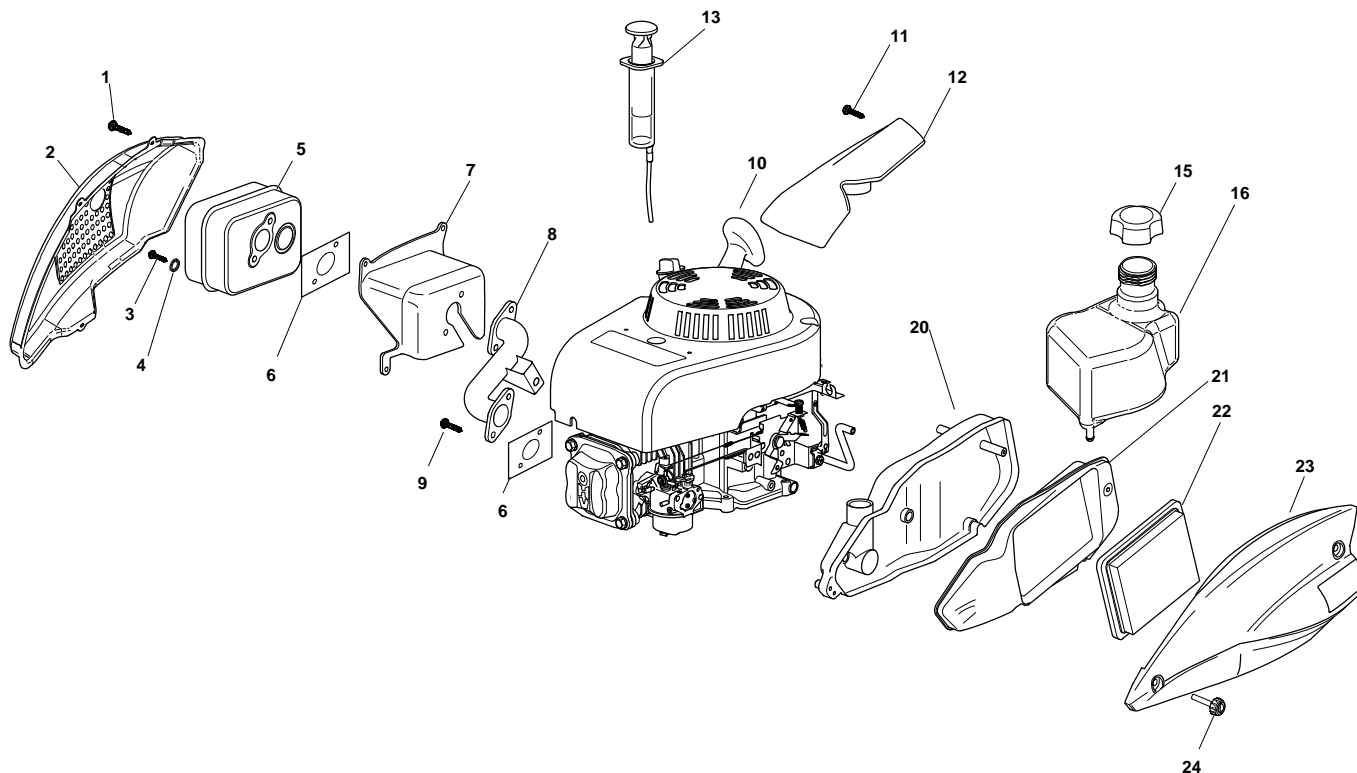
Pos.	Part no.	Q.ty	Description	Remarks
1	12291000/0	1	Nut	
2	12581500/0	1	Grower	
3	22171006/0	1	Spacer	
4	12521360/0	1	Washer	
5	12508100/0	1	Spring Washer	
6	81007220/0	1	Lever, Throttle	(B&S 450-500 Series - Ggp 150 cc)
6	81007220/0	1	Lever, Throttle	
6	81007279/1	1	Lever, Throttle	(B&S 625-675-700 Series - Honda - Ggp 140-160-196 cc)
6	81007279/1	1	Lever, Throttle	
7	81007080/0	1	Throttle Cable	
8	12815030/0	1	Screw	
9	114356905/0	1	Label	(Honda GCV 160-190 Autochoke)
9	114356905/0	1	Label	(B&S 700 series DOV)
9	114356905/0	1	Label	
9	114364264/0	1	Label	AVS (GGP 160-196)
9	114364264/0	1	Label	
9	14356702/0	1	Label	(GGP)
9	14356702/0	1	Label	(Honda)
9	14356702/0	1	Label	
9	14356703/0	1	Label	(B&S)
9	14356703/0	1	Label	
9	14361404/0	1	Label	(GGP - Avs)
9	14361404/0	1	Label	

Rear Drive



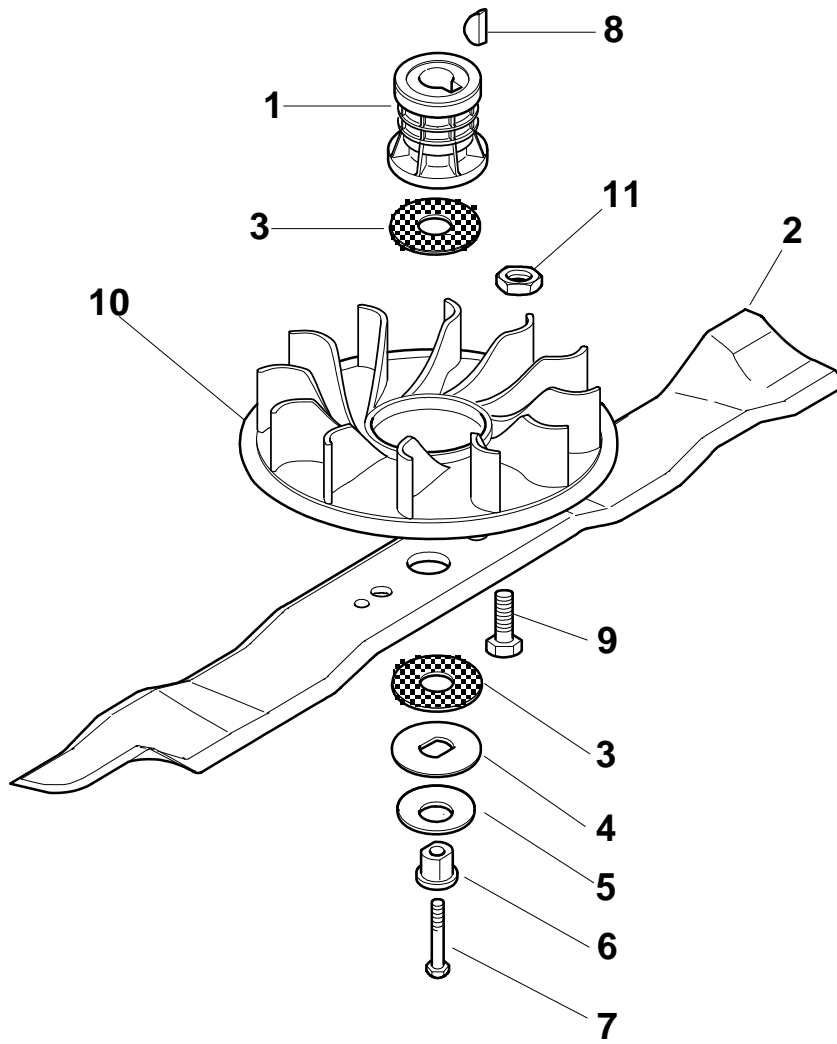
Pos.	Part no.	Q.ty	Description	Remarks
1	12608600/0	2	Seeger	
2	22570120/1	1	Pinion L	
3	22120105/1	2	Ring Gear	
4	22600092/0	1	Protection, R Wheel	
5	12608600/0	2	Seeger	
6	19216035/0	2	Bearing	
7	22753000/0	2	Pin	
8	81003095/0	1	Gear Box	
9	22450437/0	1	Spring	
10	35063902/0	1	Belt Z 29.5	
11	22600093/0	1	Protection, L Wheel	
12	22570110/1	1	Pinion R	
15	12728450/0	2	Screw	
16	22778421/0	1	Bracket, L	
17	22778419/0	1	Bracket, R	
18	12792611/0	4	Screw	
19	12293201/0	4	Nut	
20	12815200/0	2	Screw	
21	12292102/0	2	Nut	

Engine



Pos.	Part no.	Q.ty	Description	Remarks
1	12735111/0	3	Screw	
2	322601005/0	1	Muffler Protection	
3	112689590/0	2	Screw	
4	12582100/0	2	Washer	
5	118550269/0	1	Muffler	
6	118550270/0	2	Gasket, Muffler	
7	381750101/0	1	Guard	
8	118738233/0	1	Exhaust Tube	
9	12735599/0	3	Screw	
10	118550410/0	1	Engine	
11	12728700/0	2	Screw	
12	322785269/0	1	Cover	
13	18718000/0	1	Syringe	
15	27790000/1	1	Cap	
16	322735150/0	1	Tank	
20	322785268/0	1	Air Cleaner Base	
21	322785267/0	1	Cover	
22	118550257/0	1	Air Filter	
23	322109746/0	1	Air Cleaner Cover	
24	381004362/0	2	Screw	

Blade



Pos.	Part no.	Q.ty	Description	Remarks
1	22465611/0	1	Hub With Pulley, Crankshaft Ř 22.2	
2	181004148/0	1	Blade	
3	22672110/1	2	Clutch Washer	
4	22672105/0	1	Washer	
5	12508120/0	1	Cupped Spring	
6	22041940/0	1	Clutch Bush	
7	12736850/0	1	Screw	
8	12139100/0	1	Feather, Crankshaft Ř 22.2	
9	12791400/0	2	Screw	
10	322465635/0	1	Hub Fan	
11	12154510/0	2	Nut	