



Green Passion

Illustrated Parts List

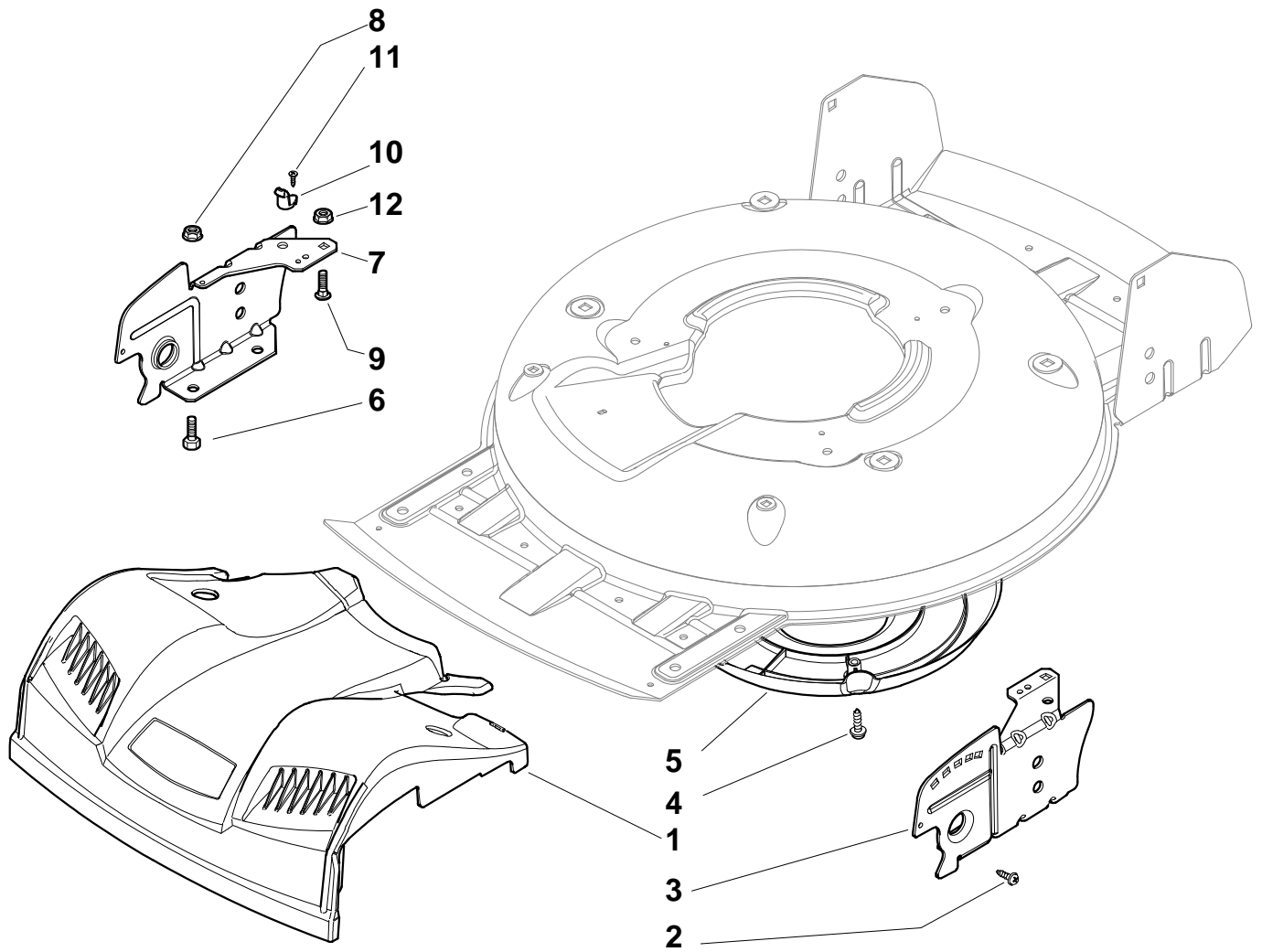
XSM 52 HS - Model Year 2009

- Use GLOBAL GARDEN PRODUCT Genuine Spare Parts specified in the parts list for repair and/or replacement.
- The contents described in the parts list may change due to improvement.
- The drawings of the spare parts are only indicative and might not represent the part in question exactly.
- The indications "right" - "left" - "front" - "rear" refer to the position of the operator when using the machine.
- When placing orders of parts for repair and/or replacement, make sure that the illustrated parts list is the one applying to the machine's year of manufacture, as shown on the identification plate attached to the machine.

COPYRIGHT by GLOBAL GARDEN PRODUCTS

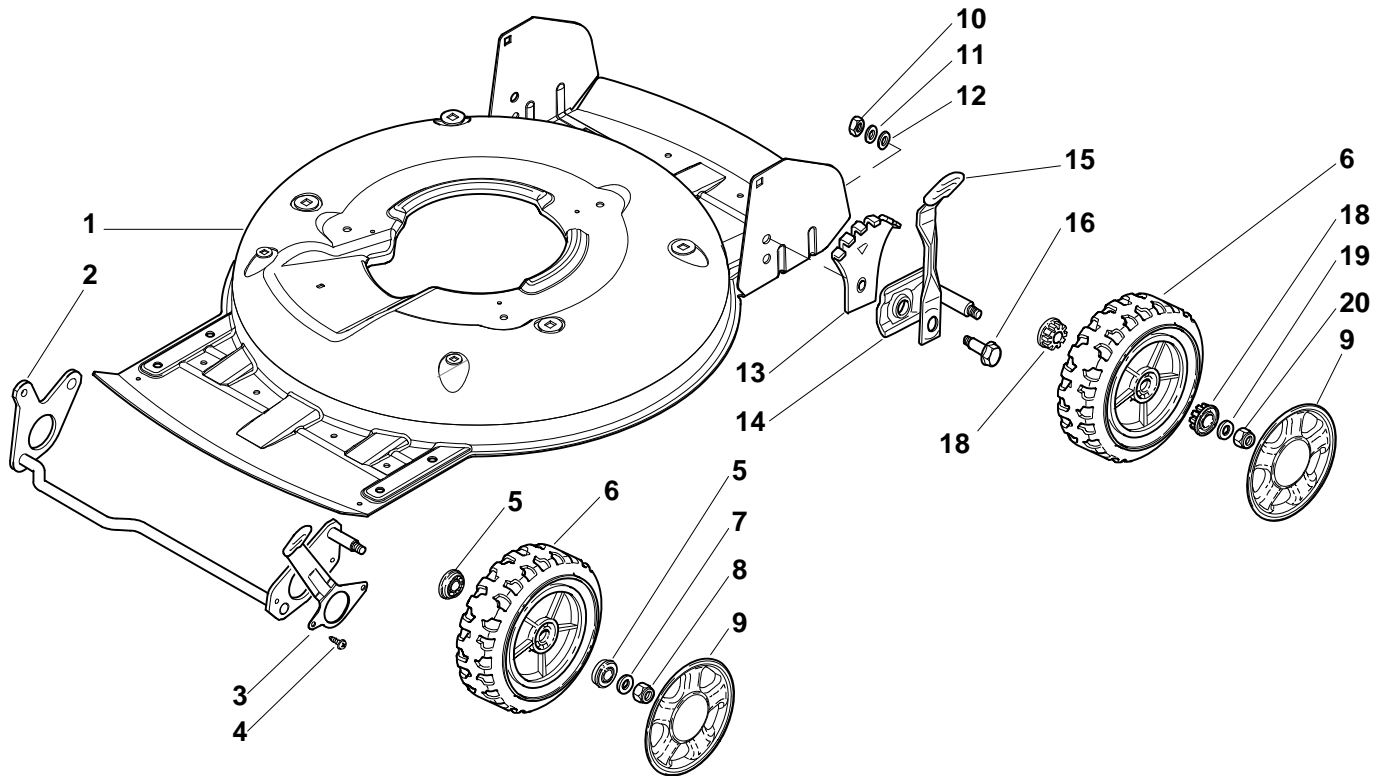
All rights reserved. No part of this material may be reproduced or transmitted, in any form or by any means, electronic or mechanical, including photocopying, recording or by any information storage and retrieval system, without permission in writing from GLOBAL GARDEN PRODUCTS.

Chassis



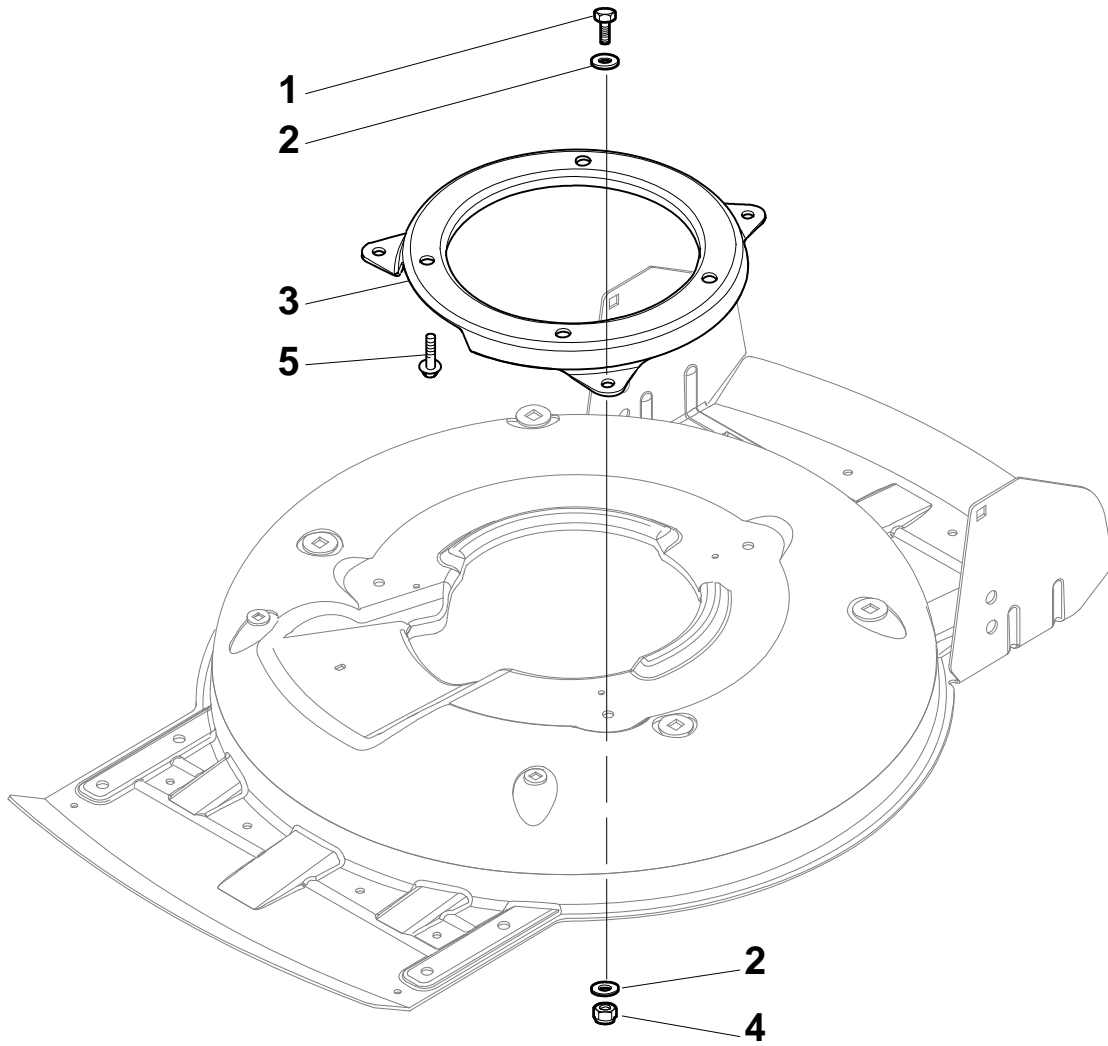
Pos.	Part no.	Q.ty	Description	Remarks
1	322226098/1	1	Mask, Grey	
2	12728523/0	2	Screw	
3	22778421/0	1	Bracket, L	
4	12728530/0	3	Screw	
5	22060220/0	1	Protection	
6	12792611/0	4	Screw	
7	22778419/0	1	Bracket, R	
8	12293201/0	4	Nut	
9	12815200/0	2	Screw	
10	22020400/0	2	Fairlead	
11	12728523/0	2	Screw	
12	12292102/0	2	Nut	

Chassis/Wheels And Height Adjusting



Pos.	Part no.	Q.ty	Description	Remarks
1	81002907/1	1	Deck Yellow	
2	81002849/0	1	Axle, Front Wheels	
3	81003276/0	1	Lever, Height Adjustment	
4	12735661/0	2	Screw	
5	22122200/0	4	Bearing	
6	81007343/0	4	Wheel R 210	
7	12369500/0	2	Elastic Washer	
8	12155000/0	2	Nut	
9	22110382/0	4	Hub Cap	
10	12293200/0	2	Nut	
11	12583500/0	2	Grower	
12	12523070/0	2	Washer	
13	22735547/0	2	Sector, Height Adjustment	
14	81005082/0	2	Support, Wheel	
15	81003286/0	2	Lever, Height Adjustment	
16	22519811/0	2	Pin	
18	22034508/0	4	Bush	
19	12523060/0	2	Washer	
20	12155000/0	2	Nut	

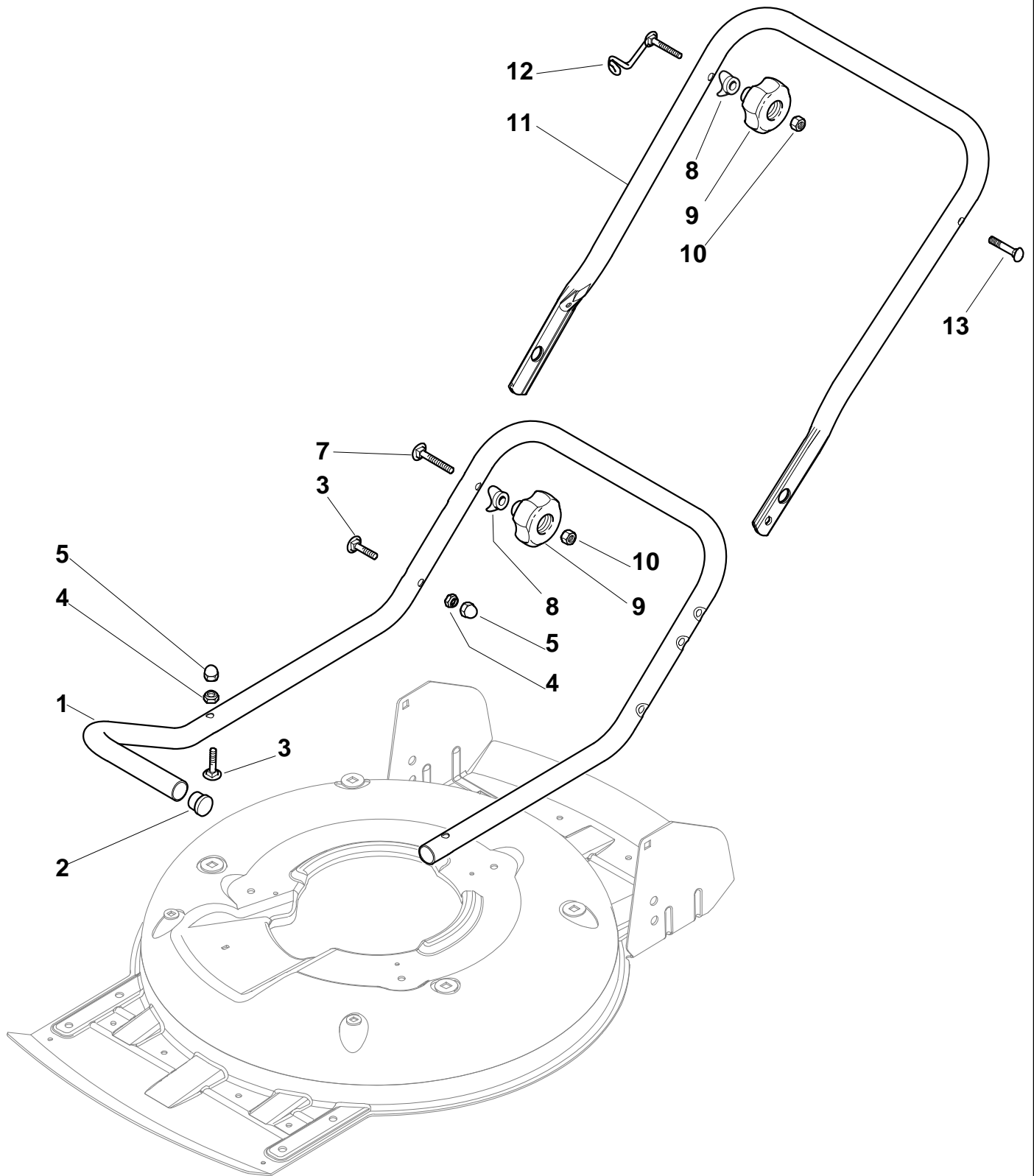
Support



Pos.	Part no.	Q.ty	Description	Remarks
------	----------	------	-------------	---------

1	12792611/0	3	Screw	
2	12523060/0	6	Washer	
3	322207219/1	1	Flange	
4	12293201/0	3	Nut	
5	112735108/1	3	Screw	

Handle, Lower Part



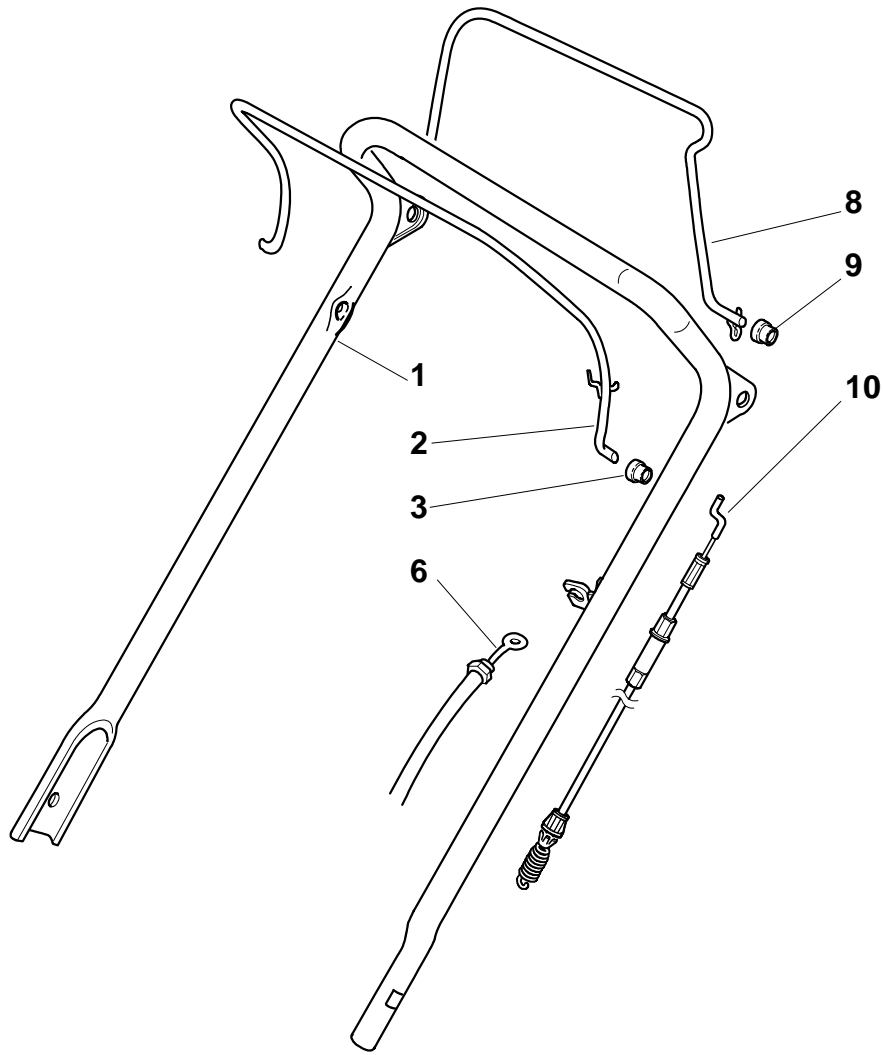


XSM 52 HS - Model Year 2009

Handle, Lower Part

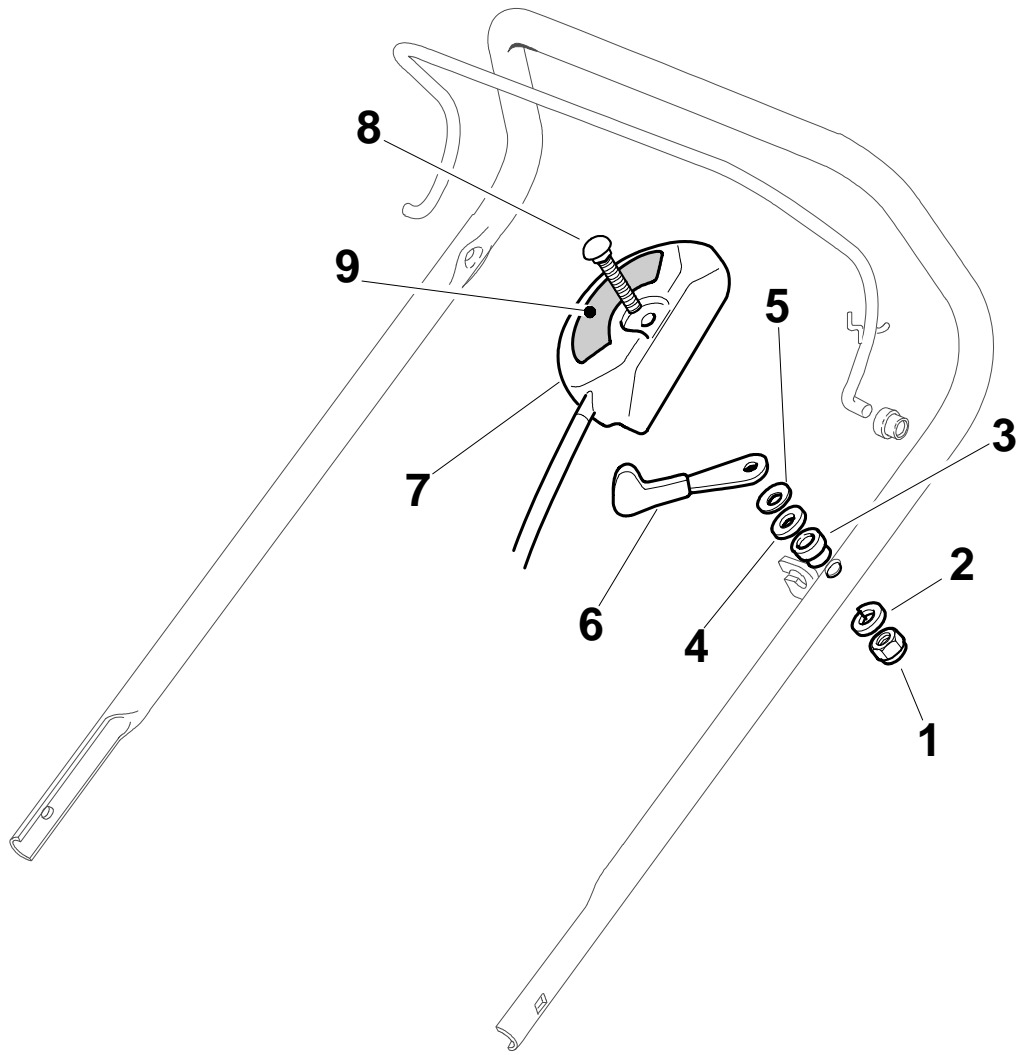
Pos.	Part no.	Q.ty	Description	Remarks
1	81006667/0	1	Handle, Lower Part	
2	18566110/0	2	Cap	
3	12818900/0	4	Screw	
4	12155000/0	4	Nut	
5	18203854/0	4	Protection	
6	12818900/0	4	Screw	
7	12819201/0	2	Screw	
8	22680006/1	4	Washer	
9	322399804/1	4	Knob	
10	12293200/0	4	Nut	
11	81006668/0	1	Handle, Middle Part	
12	81003801/1	1	Spring	
13	12819201/0	1	Screw	

Handle, Upper Part



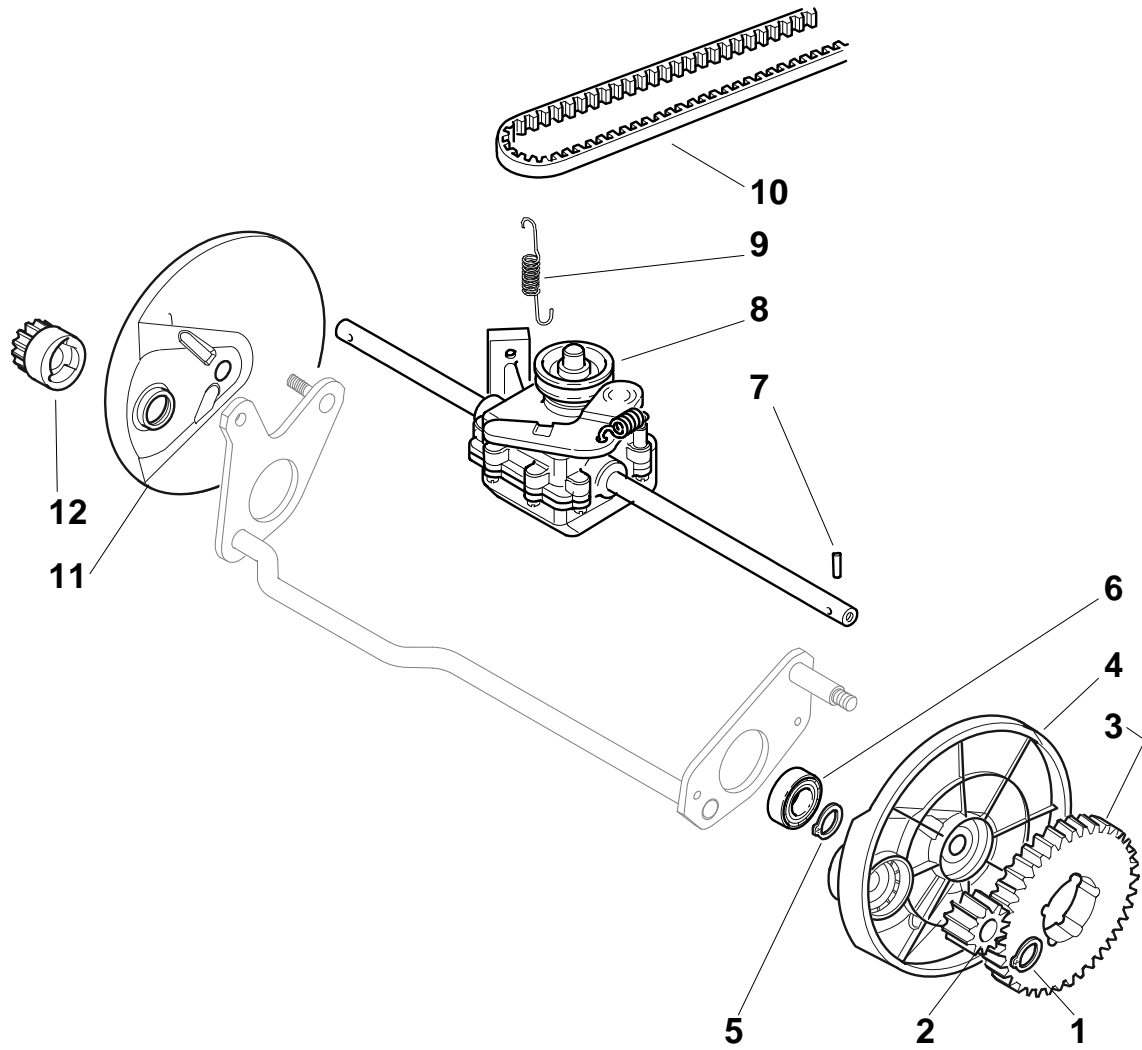
Pos.	Part no.	Q.ty	Description	Remarks
1	81007024/0	1	Handle, Upper Part	
2	81003291/3	1	Lever, Engine Brake	
3	22041966/0	2	Bush	
6	81000631/0	1	Cable, Thread Engine Brake	
6	81000631/0	1	Cable, Thread Engine Brake	(Honda Gcv 135-160-190)
6	81000642/1	1	Cable, Thread Engine Brake	
6	81000642/1	1	Cable, Thread Engine Brake	(B&S 625-675 Series)
8	81003288/1	1	Lever, Driving	
9	22041965/1	2	Bush	
10	81000734/1	1	Cable, Rear Drive	

Controls



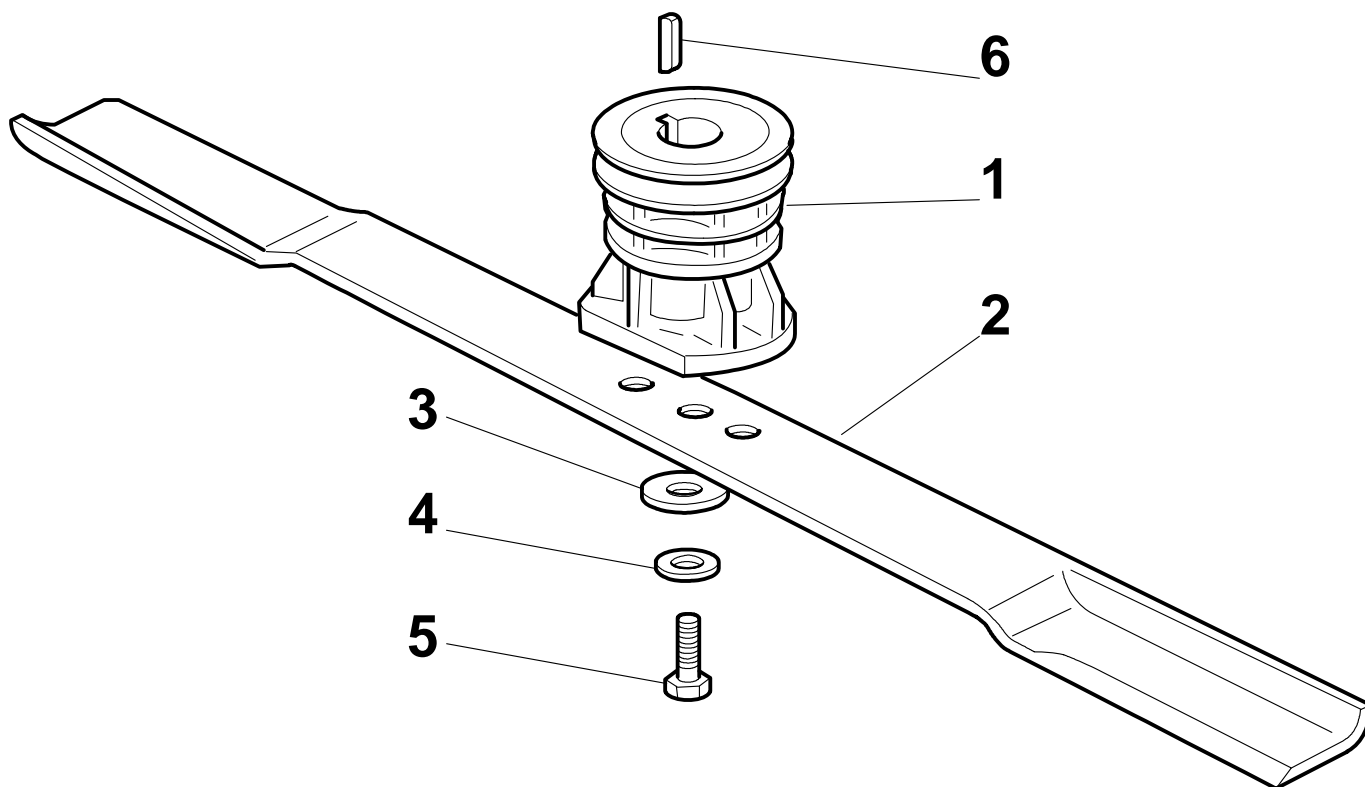
Pos.	Part no.	Q.ty	Description	Remarks
1	12291000/0	1	Nut	
2	12581500/0	1	Grower	
3	22171005/0	1	Spacer	
4	12521360/0	1	Washer	
5	12508100/0	1	Spring Washer	
6	81007220/0	1	Lever, Throttle	(B&S 450-500 Series - Ggp 150 cc)
6	81007279/1	1	Lever, Throttle	(B&S 625-675-700 Series - Honda - Ggp 140-160-196 cc)
7	81007080/0	1	Throttle Cable	
8	12815000/0	1	Screw	
9	114356905/0	1	Label	(Honda GCV 160-190 Autochoke)
9	114356905/0	1	Label	(B&S 700 series DOV)
9	114364264/0	1	Label	AVS (GGP 160-196)
9	14356702/0	1	Label	(GGP)
9	14356702/0	1	Label	(Honda)
9	14356703/0	1	Label	(B&S)

Rear Drive



Pos.	Part no.	Q.ty	Description	Remarks
1	12608600/0	2	Seeger	
2	22570120/1	1	Pinion L	
3	22120105/1	2	Ring Gear	
4	22600092/0	1	Protection, R Wheel	
5	12608600/0	2	Seeger	
6	19216035/0	2	Bearing	
7	22753000/0	2	Pin	
8	81003095/0	1	Gear Box	
9	22450437/0	1	Spring	
10	35063902/0	1	Belt Z 29.5	
11	22600093/0	1	Protection, L Wheel	
12	22570110/1	1	Pinion R	

Blade



Pos.	Part no.	Q.ty	Description	Remarks
------	----------	------	-------------	---------

1	122465608/1	1	Hub With Pulley, Crankshaft Ř 25	
2	81004146/0	1	Blade Standard	
3	22160400/0	1	Elastic Washer	
4	12523080/0	1	Washer	
5	12735698/0	1	Screw	
6	12139150/0	1	Feather, Crankshaft Ř 25	