



Green Passion

Illustrated Parts List

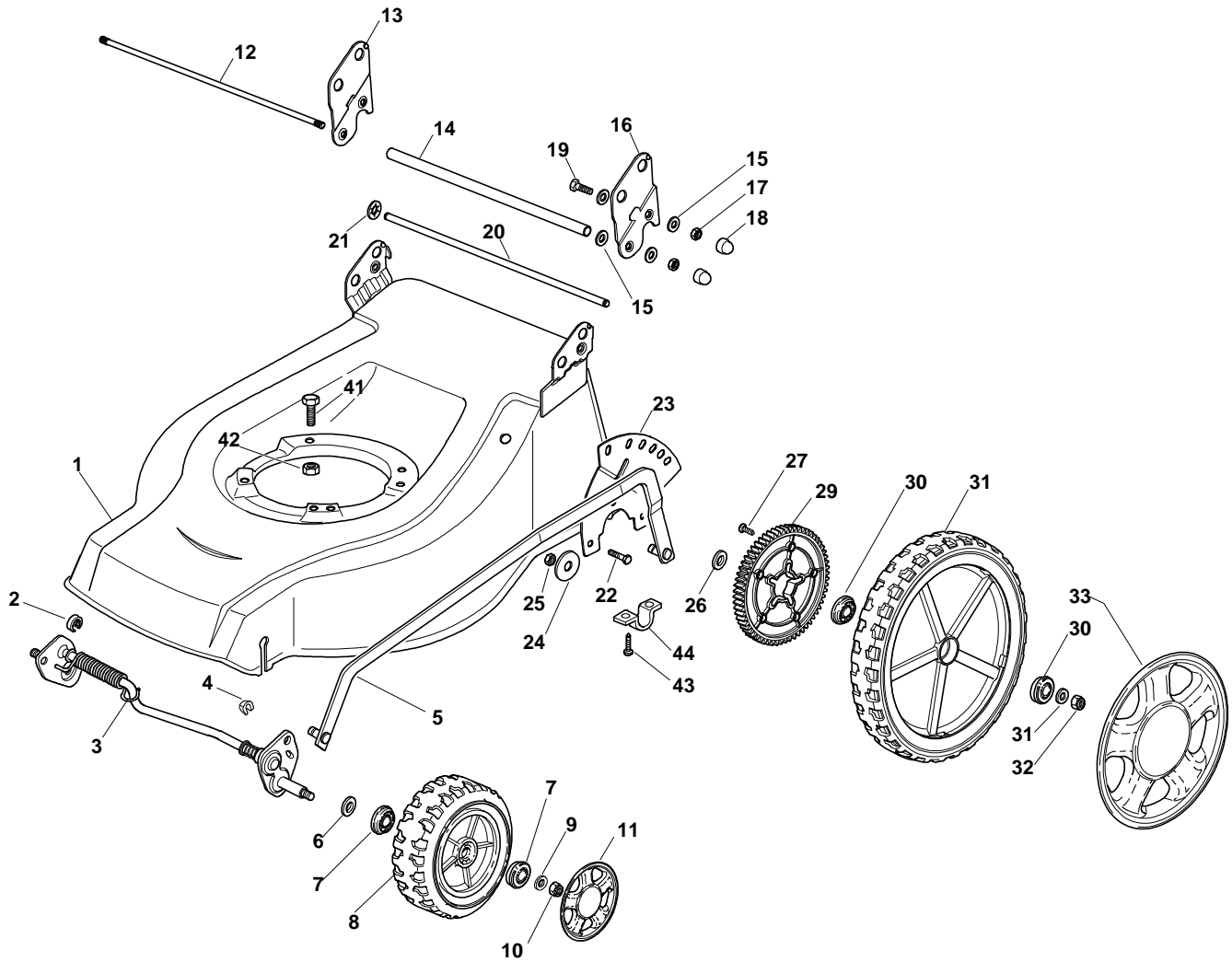
XSW 50 MGS - Model Year 2010

- Use GLOBAL GARDEN PRODUCT Genuine Spare Parts specified in the parts list for repair and/or replacement.
- The contents described in the parts list may change due to improvement.
- The drawings of the spare parts are only indicative and might not represent the part in question exactly.
- The indications "right" - "left" - "front" - "rear" refer to the position of the operator when using the machine.
- When placing orders of parts for repair and/or replacement, make sure that the illustrated parts list is the one applying to the machine's year of manufacture, as shown on the identification plate attached to the machine.

COPYRIGHT by GLOBAL GARDEN PRODUCTS

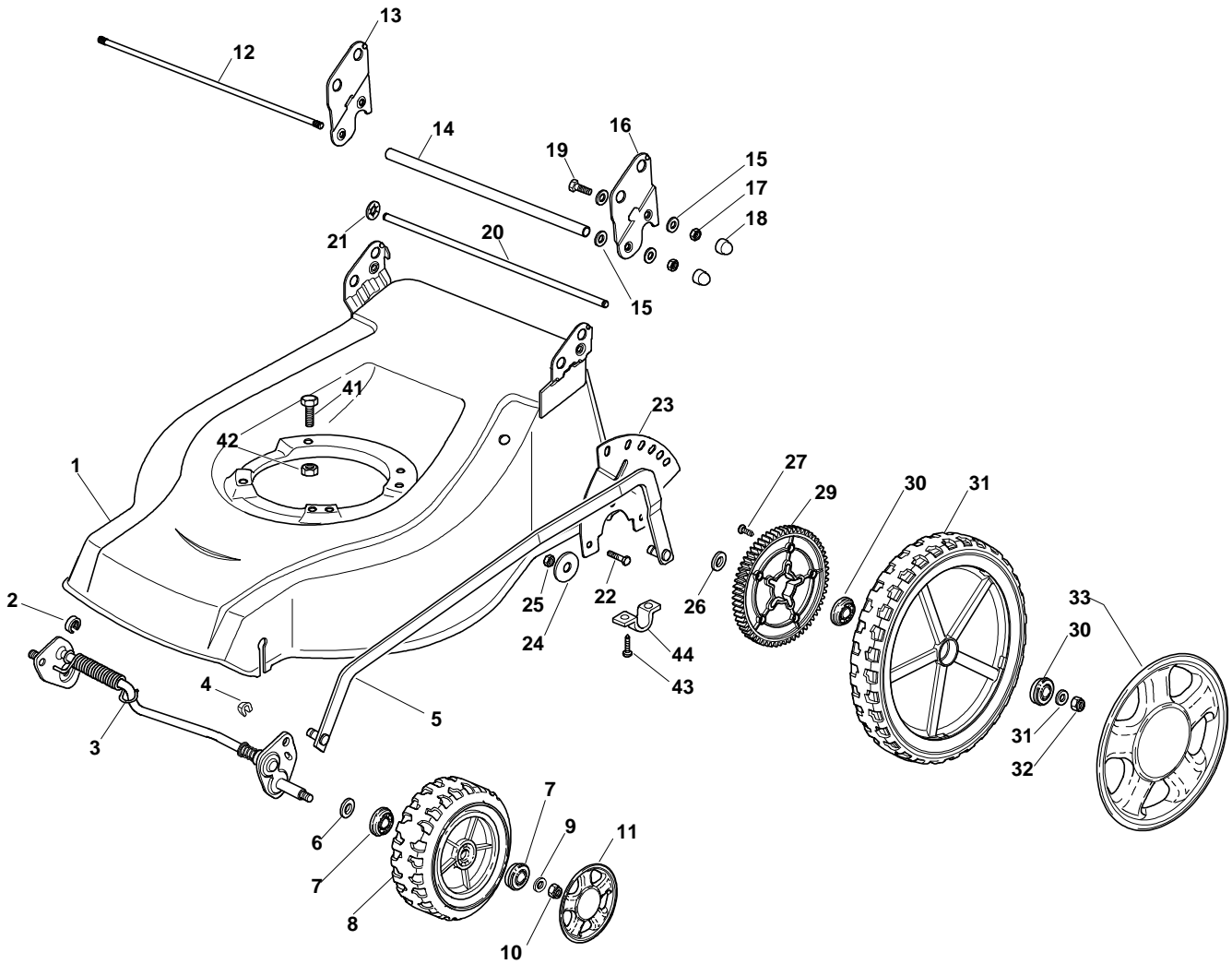
All rights reserved. No part of this material may be reproduced or transmitted, in any form or by any means, electronic or mechanical, including photocopying, recording or by any information storage and retrieval system, without permission in writing from GLOBAL GARDEN PRODUCTS.

Chassis/Wheels And Height Adjusting



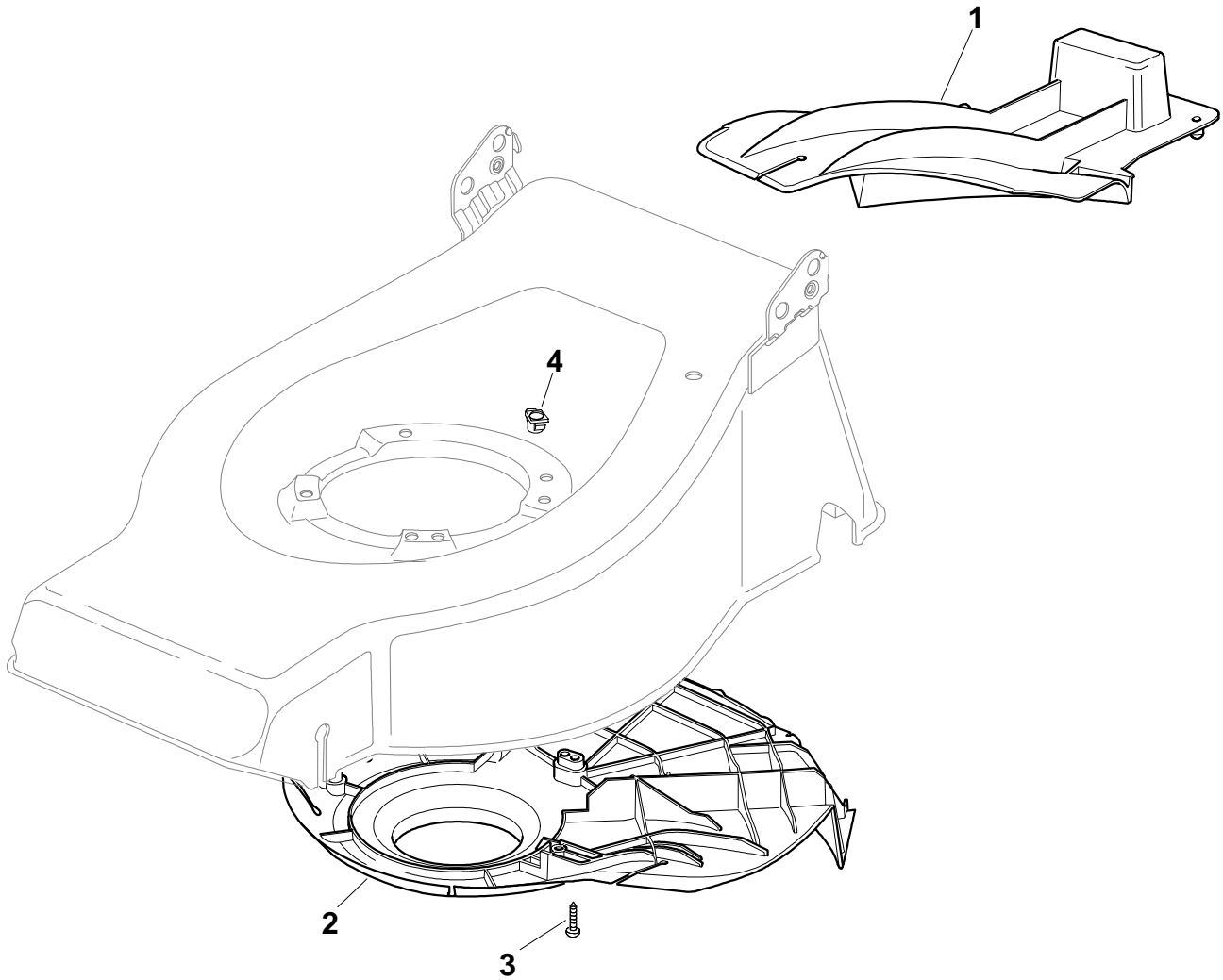
| Pos. | Part no. | Q.ty | Description | Remarks |
|------|-------------|------|---------------------------|---------|
| 1 | 81002424/1 | 1 | Deck Red | |
| 2 | 22171002/0 | 2 | Spacer | |
| 3 | 381002861/0 | 1 | Axle, Front Wheels | |
| 4 | 12436050/0 | 2 | Plate | |
| 5 | 381001999/0 | 1 | Rod, Height Adjustment | |
| 6 | 12530150/0 | 2 | Washer | |
| 7 | 22122200/0 | 4 | Bearing | |
| 8 | 81007343/0 | 2 | Wheel | |
| 9 | 12521350/0 | 2 | Washer | |
| 10 | 12155000/0 | 2 | Nut | |
| 11 | 22110382/0 | 2 | Hub Cap | |
| 12 | 22517702/1 | 1 | Stone Guard Fulcrum | |
| 13 | 22778427/0 | 1 | Bracket, R | |
| 14 | 22869717/0 | 1 | Spacer | |
| 15 | 22671653/0 | 8 | Washer | |
| 16 | 22778429/0 | 1 | Bracket, L | |
| 17 | 12155000/0 | 4 | Nut | |
| 18 | 18203854/0 | 4 | Protection | |
| 19 | 12793301/0 | 2 | Screw | |
| 20 | 22517860/0 | 1 | Pin | |
| 21 | 12604899/0 | 2 | Crown Fastener | |
| 22 | 12792611/0 | 3 | Screw | |
| 23 | 322735579/1 | 1 | Sector, Height Adjustment | |
| 24 | 12523060/0 | 3 | Washer | |
| 25 | 12155000/0 | 3 | Nut | |

Chassis/Wheels And Height Adjusting



| Pos. | Part no. | Q.ty | Description | Remarks |
|------|------------|------|---------------------|---------|
| 26 | 22675100/0 | 2 | Washer | |
| 27 | 12728691/0 | 6 | Screw | |
| 28 | 22120110/0 | 2 | Sprocket | |
| 29 | 22122200/0 | 4 | Bearing | |
| 30 | 81007380/0 | 2 | Wheel | |
| 31 | 12521350/0 | 4 | Washer | |
| 32 | 12155000/0 | 2 | Nut | |
| 33 | 22110511/0 | 2 | Hub Cap, Grey D.300 | |
| 41 | 12691800/0 | 1 | Screw | |
| 41 | 12793701/0 | 3 | Screw | |
| 42 | 12155000/0 | 1 | Nut | |
| 42 | 12293201/0 | 3 | Nut | |
| 43 | 12731350/0 | 4 | Screw | |
| 44 | 22545152/0 | 2 | Plate | |

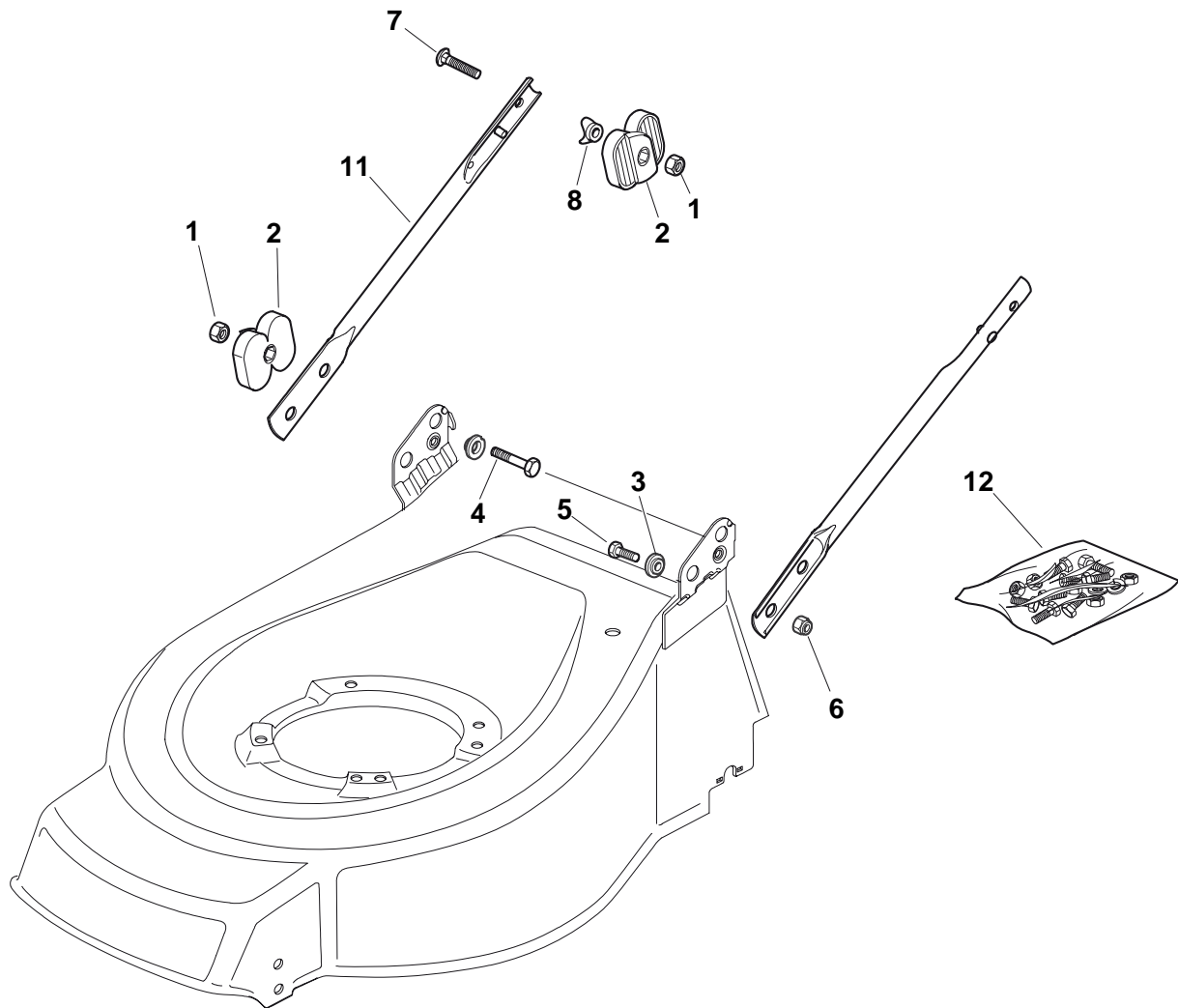
Protection, Belt



| Pos. | Part no. | Q.ty | Description | Remarks |
|------|----------|------|-------------|---------|
|------|----------|------|-------------|---------|

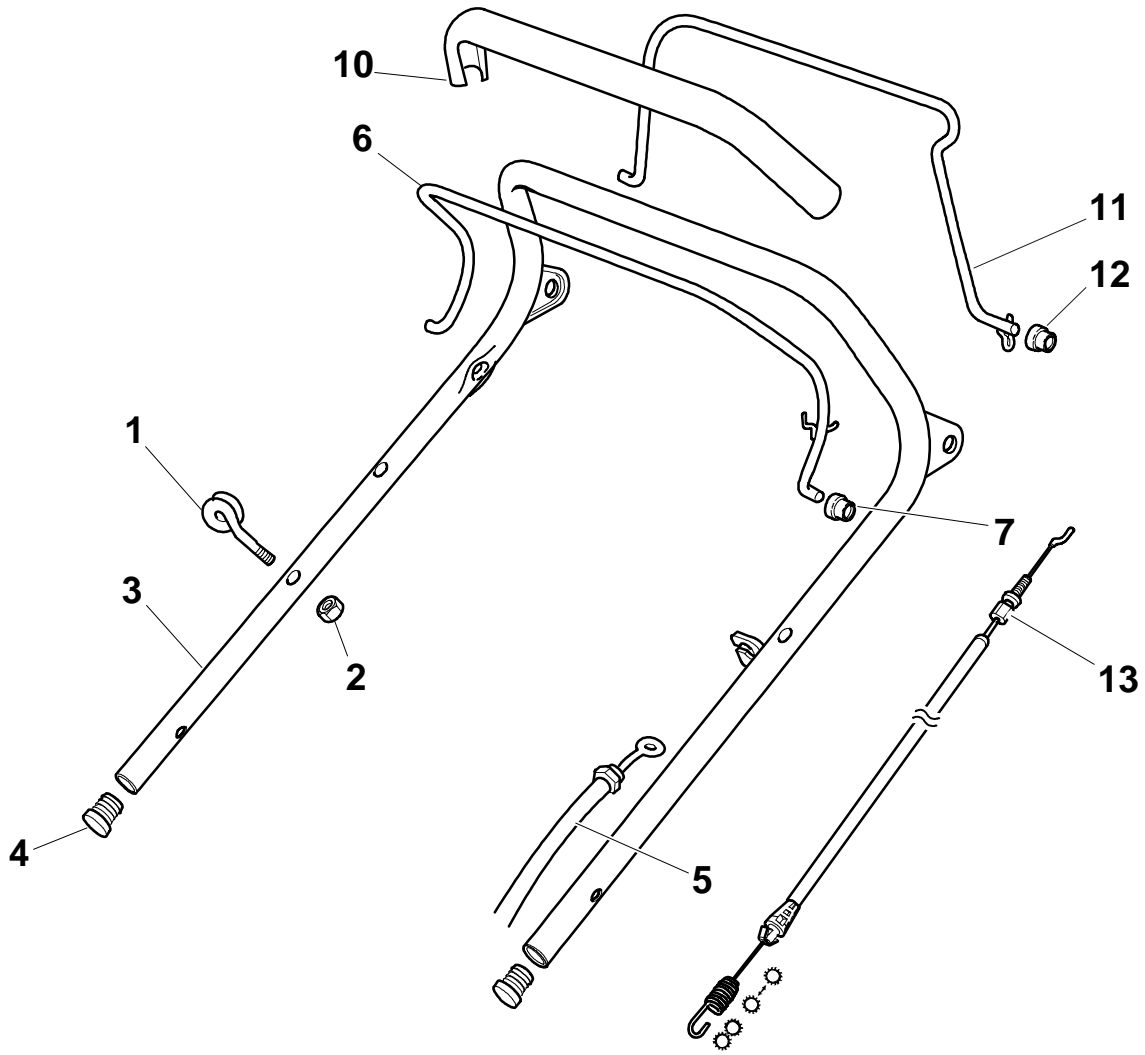
| | | | | |
|---|------------|---|---------------|--|
| 1 | 22140223/0 | 1 | Deflector | |
| 2 | 22060198/0 | 1 | Protection | |
| 3 | 12728530/0 | 3 | Screw | |
| 4 | 22291150/0 | 1 | Rubber Insert | |

Handle, Lower Part



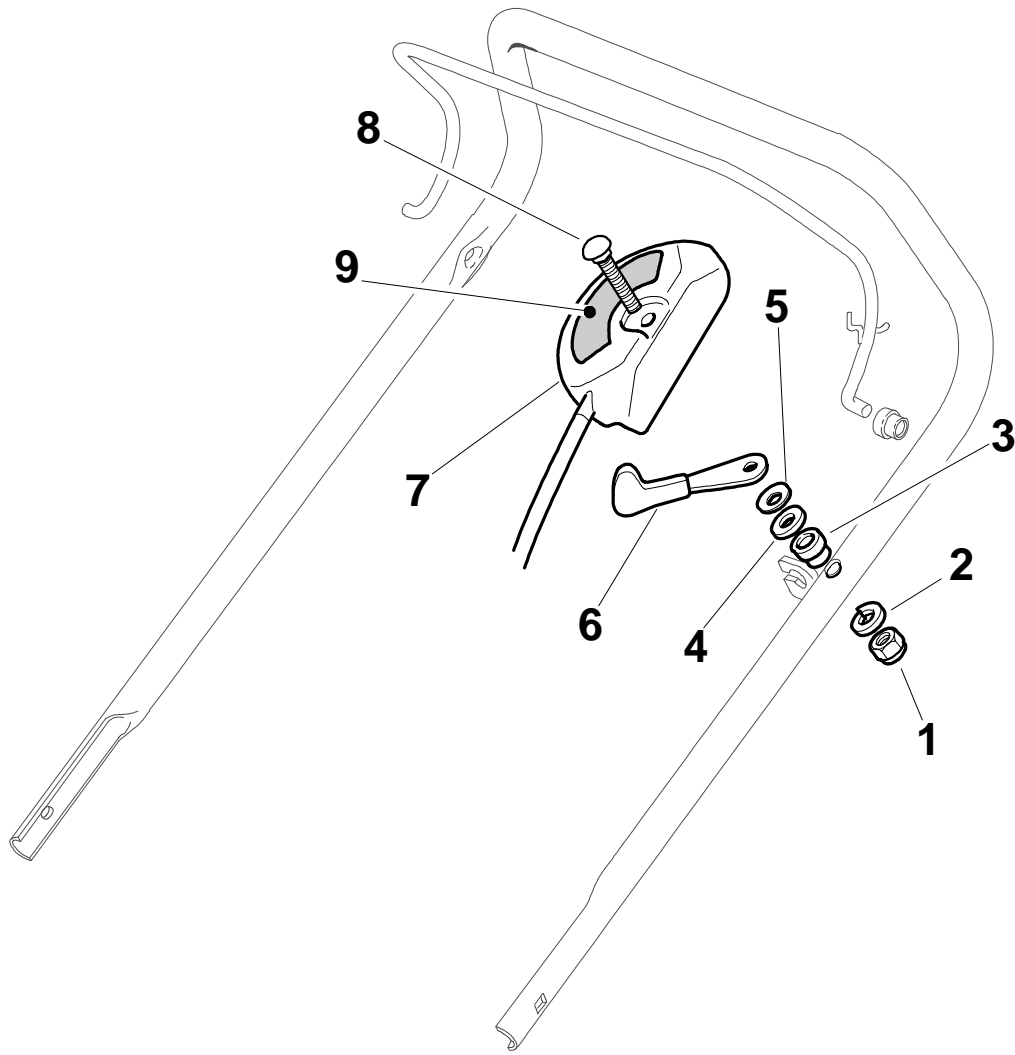
| Pos. | Part no. | Q.ty | Description | Remarks |
|------|------------|------|--------------------|---------|
| 1 | 12293202/0 | 4 | Nut | |
| 2 | 22399803/0 | 4 | Knob | |
| 3 | 22041955/0 | 4 | Bush | |
| 4 | 12793700/0 | 2 | Screw | |
| 5 | 12792610/0 | 2 | Screw | |
| 6 | 12155000/0 | 2 | Nut | |
| 7 | 12819125/0 | 2 | Screw | |
| 8 | 22680006/1 | 2 | Washer | |
| 11 | 81006973/0 | 2 | Handle, Lower Part | |
| 12 | 81008633/0 | 1 | Outfit, Screws | |

Handle, Upper Part

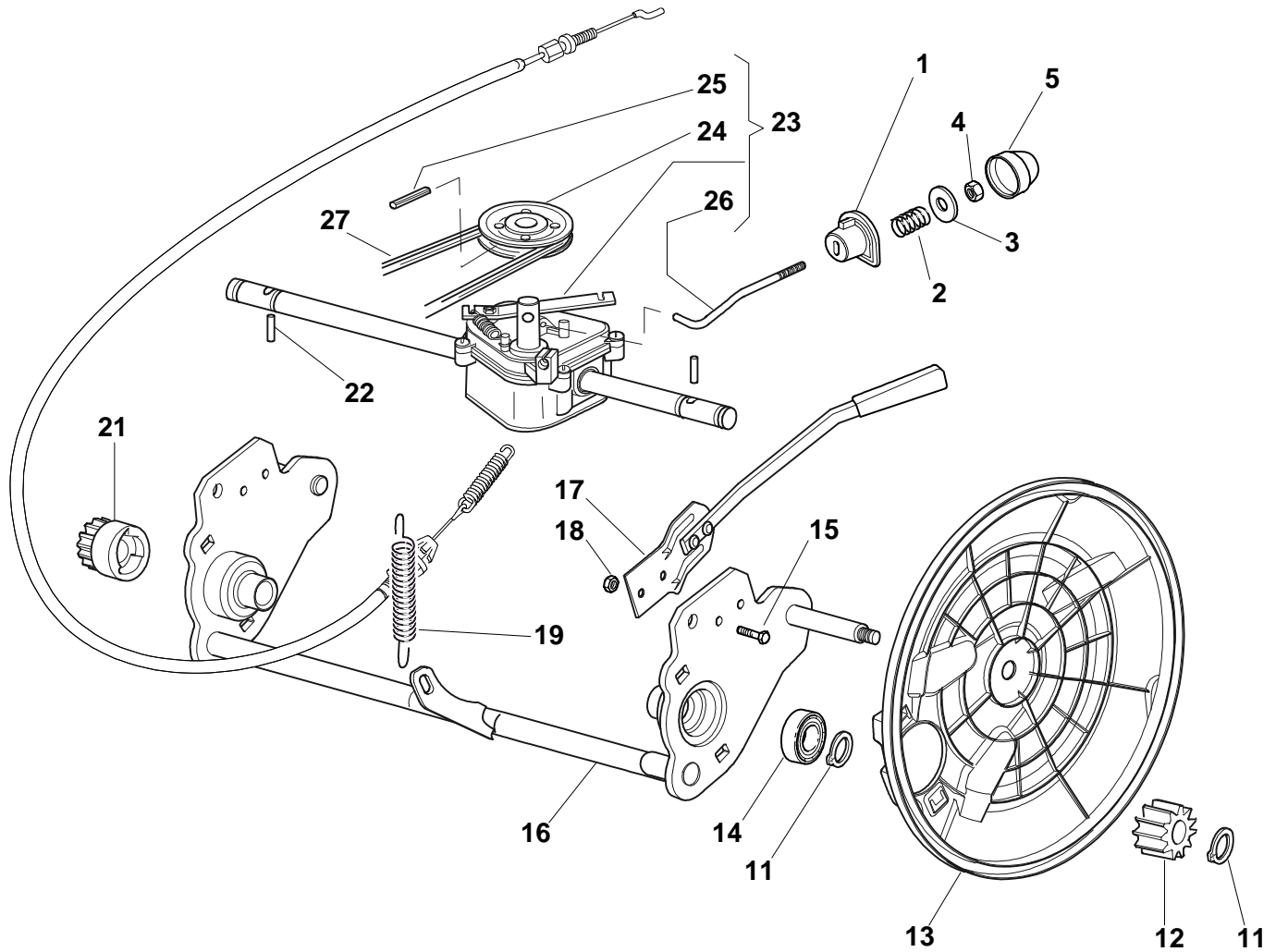


| Pos. | Part no. | Q.ty | Description | Remarks |
|------|------------|------|----------------------------|-------------------------------|
| 1 | 22430309/0 | 1 | Guide Spring | |
| 2 | 12154330/0 | 1 | Nut | |
| 3 | 81006981/0 | 1 | Handle, Upper Part | |
| 4 | 18566112/0 | 2 | Cap | |
| 5 | 81000611/0 | 1 | Cable, Thread Engine Brake | 484 W TR (Ggp 150cc) |
| 5 | 81000616/1 | 1 | Cable, Thread Engine Brake | 484 W TR (B&S 625-675 Series) |
| 5 | 81000616/1 | 1 | Cable, Thread Engine Brake | 484 W TR (B&S 450-500 Series) |
| 5 | 81000616/1 | 1 | Cable, Thread Engine Brake | 484 W TR (Ggp 140cc) |
| 5 | 81000616/1 | 1 | Cable, Thread Engine Brake | 484 W TR (Honda Gcv 135-160) |
| 5 | 81000616/1 | 1 | Cable, Thread Engine Brake | 484 W TR (Ggp 160cc) |
| 6 | 81003291/3 | 1 | Lever, Engine Brake | |
| 7 | 22041966/0 | 2 | Bush | |
| 10 | 22291050/0 | 1 | Handgrip Black | |
| 11 | 22041965/1 | 2 | Bush | |
| 12 | 81003288/1 | 1 | Lever, Driving | |
| 13 | 81000668/1 | 1 | Cable, Rear Drive | (General Transmission) |
| 13 | 81000672/0 | 1 | Cable, Rear Drive | (Bi Ci Di) |

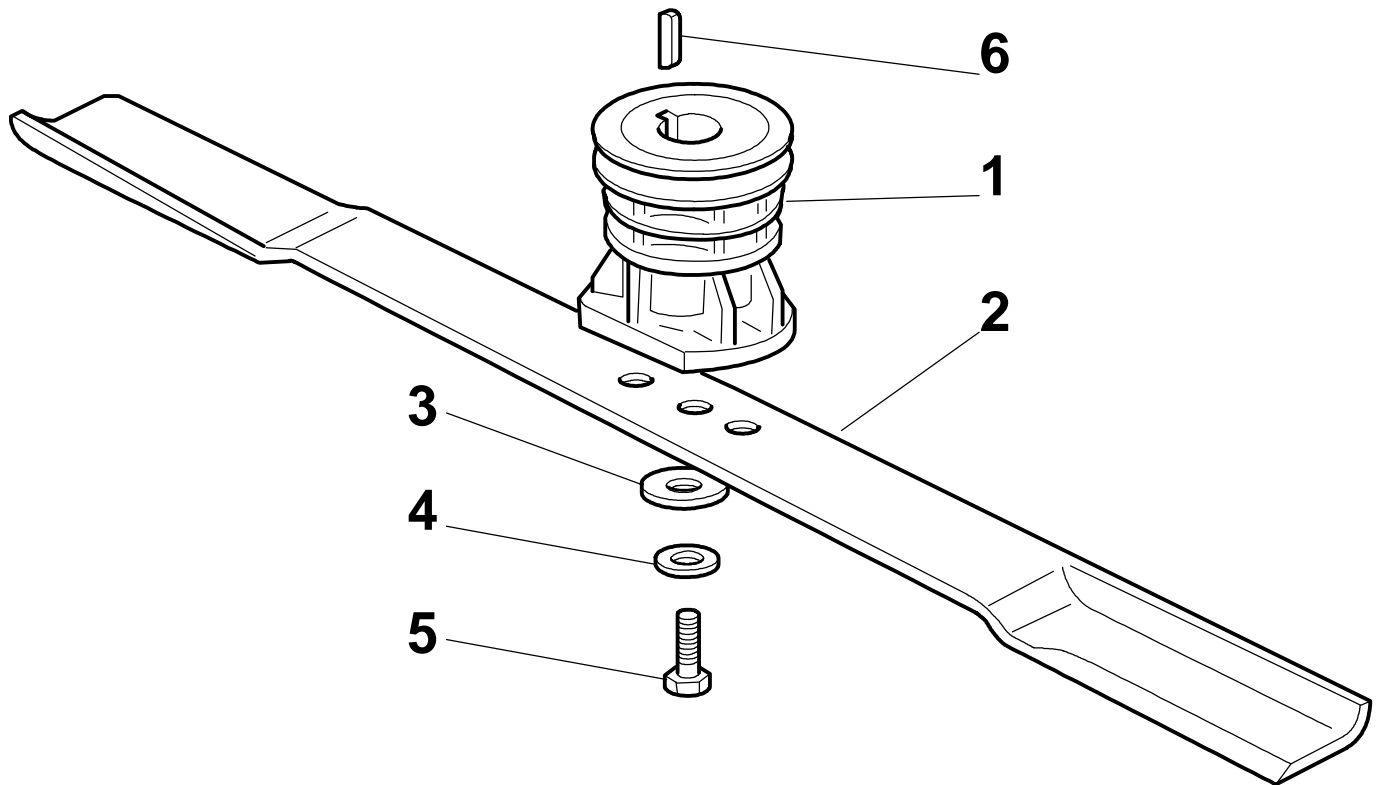
Controls



| Pos. | Part no. | Q.ty | Description | Remarks |
|------|-------------|------|-----------------|---|
| 1 | 12291000/0 | 1 | Nut | |
| 2 | 12581500/0 | 1 | Grower | |
| 3 | 22171005/0 | 1 | Spacer | |
| 4 | 12521360/0 | 1 | Washer | |
| 5 | 12508100/0 | 1 | Washer | |
| 6 | 81007220/0 | 1 | Lever, Throttle | (B&S 450-500 Series - Ggp 150 cc) |
| 6 | 81007279/1 | 1 | Lever, Throttle | (B&S 625-675-700 Series - Honda - Ggp 140-160-196 cc) |
| 7 | 81007080/0 | 1 | Cable, Trottle | |
| 8 | 12815000/0 | 1 | Screw | |
| 9 | 114356905/0 | 1 | Label | (B&S 700 series DOV) |
| 9 | 114356905/0 | 1 | Label | (Honda GCV 160-190 Autochoke) |
| 9 | 114364264/0 | 1 | Label | AVS (GGP 160-196) |
| 9 | 14356702/0 | 1 | Label | (Honda) |
| 9 | 14356702/0 | 1 | Label | (GGP) |
| 9 | 14356703/0 | 1 | Label | (B&S) |

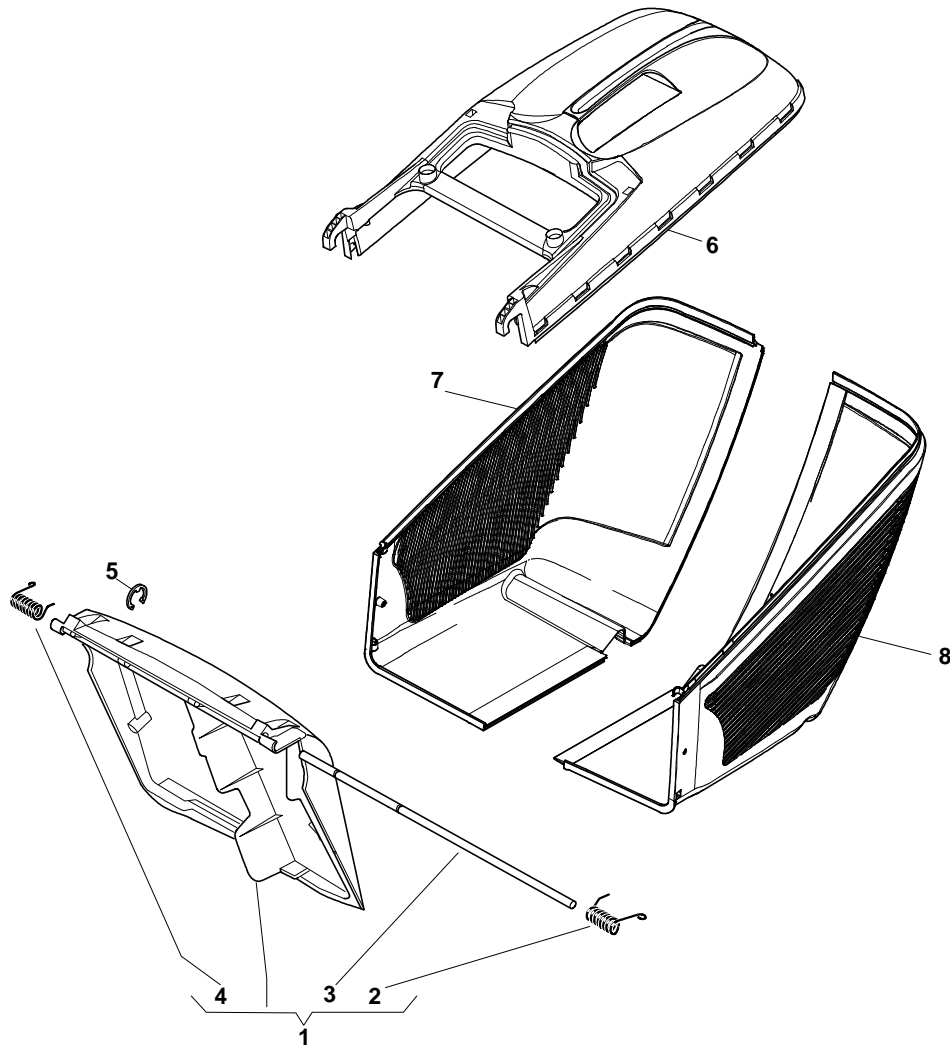
Rear Drive


| Pos. | Part no. | Q.ty | Description | Remarks |
|------|-------------|------|--------------------------|---------|
| 1 | 22041957/1 | 1 | Bush | |
| 2 | 22450063/0 | 1 | Spring | |
| 3 | 22680009/0 | 1 | Washer | |
| 4 | 12154510/0 | 1 | Nut | |
| 5 | 22110230/0 | 1 | Cap | |
| 11 | 12608600/0 | 4 | Snap Ring | |
| 12 | 22570110/1 | 1 | Pinion R | |
| 13 | 22600160/0 | 2 | Protection, Wheel | |
| 14 | 19216035/0 | 2 | Bearing | |
| 15 | 12789000/0 | 2 | Screw | |
| 16 | 381002853/2 | 1 | Axle, Rear Wheels | |
| 17 | 381003326/0 | 1 | Lever, Height Adjustment | |
| 18 | 12154330/0 | 2 | Nut | |
| 19 | 122450454/0 | 1 | Spring | |
| 21 | 22570120/1 | 1 | Pinion L | |
| 22 | 22753000/0 | 2 | Pin | |
| 23 | 81003092/0 | 1 | Gear Box | |
| 24 | 22601904/0 | 1 | Pulley | |
| 25 | 12645705/0 | 1 | Pin | |
| 26 | 22033283/0 | 1 | Adjustment Rod | |
| 27 | 35063800/0 | 1 | Belt | |

Blade


| Pos. | Part no. | Q.ty | Description | Remarks |
|------|-------------|------|------------------------------------|---------|
| 1 | 122465607/3 | 1 | Hub With Pulley, Crankshaft Ø 22.2 | |
| 2 | 81004346/3 | 1 | Blade Standard | 484 |
| 2 | 81004397/0 | 1 | Blade Winged | 484 |
| 3 | 22160400/0 | 1 | Elastic Washer | |
| 4 | 12523080/0 | 1 | Washer | |
| 5 | 12735698/0 | 1 | Screw | |
| 6 | 12139100/0 | 1 | Key | |

Grass-Catcher



| Pos. | Part no. | Q.ty | Description | Remarks |
|------|-------------|------|--------------------|---------|
| 1 | 381008021/2 | 1 | Stone-Guard Black | |
| 2 | 22450420/1 | 1 | L Spring | |
| 3 | 22517906/1 | 1 | Pin | |
| 4 | 22450410/1 | 1 | R Spring | |
| 5 | 12000930/0 | 1 | Snap Ring | |
| 6 | 22486101/0 | 1 | Grass-Box, Upper | |
| 7 | 322486150/1 | 1 | Grass-Box, R Lower | |
| 8 | 322486151/1 | 1 | Grass-Box, L Lower | |
| 11 | 322486150/1 | 1 | Grass-Box, R Lower | |
| 12 | 322486151/1 | 1 | Grass-Box, L Lower | |