



Green Passion

Illustrated Parts List

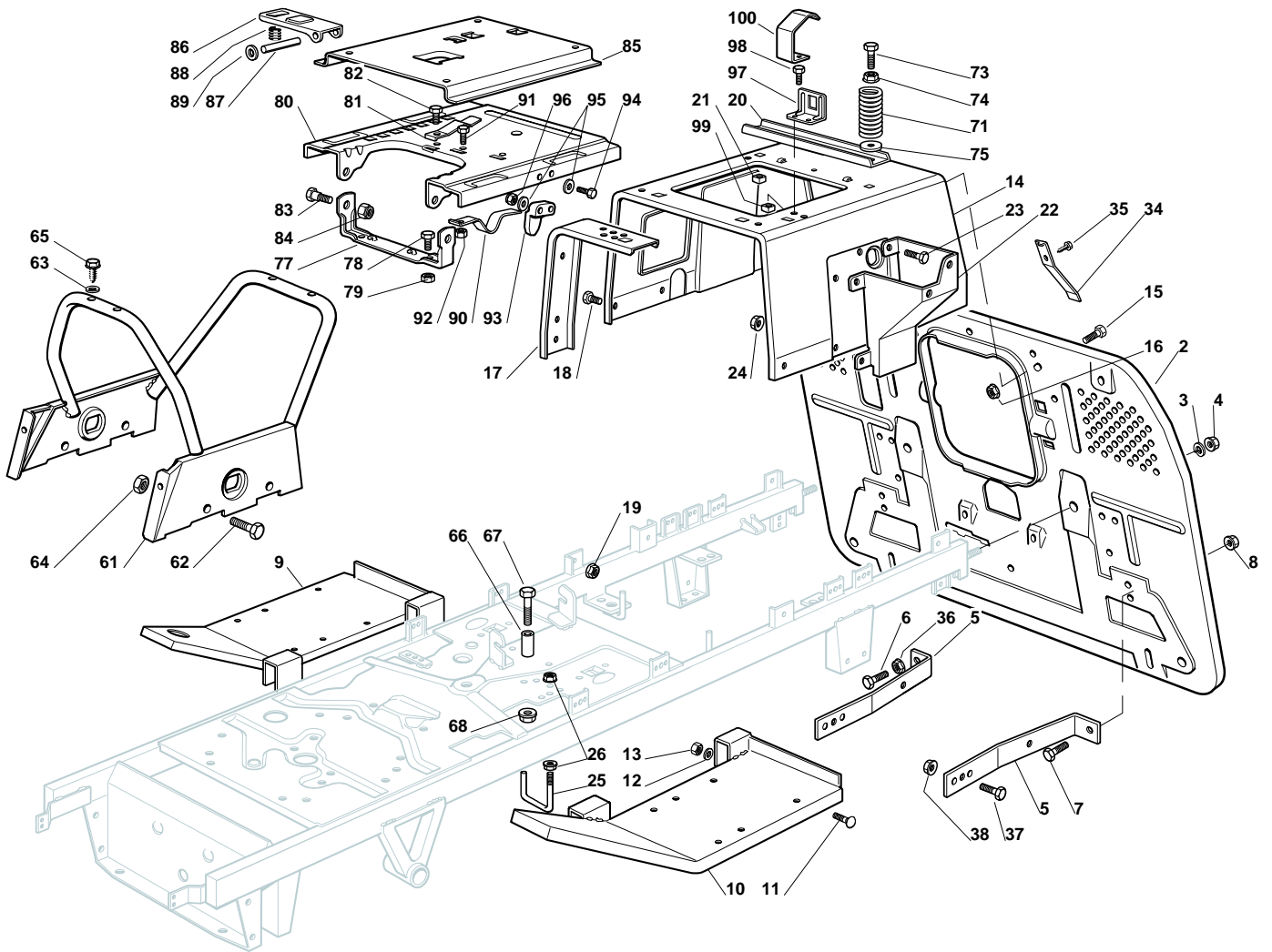
**XT 160 HD - XT 170 HD - XT 190
HD - XT 200 HD - Model Year 2010**

- Use GLOBAL GARDEN PRODUCT Genuine Spare Parts specified in the parts list for repair and/or replacement.
- The contents described in the parts list may change due to improvement.
- The drawings of the spare parts are only indicative and might not represent the part in question exactly.
- The indications "right" - "left" - "front" - "rear" refer to the position of the operator when using the machine.
- When placing orders of parts for repair and/or replacement, make sure that the illustrated parts list is the one applying to the machine's year of manufacture, as shown on the identification plate attached to the machine.

COPYRIGHT by GLOBAL GARDEN PRODUCTS

All rights reserved. No part of this material may be reproduced or transmitted, in any form or by any means, electronic or mechanical, including photocopying, recording or by any information storage and retrieval system, without permission in writing from GLOBAL GARDEN PRODUCTS.

Chassis



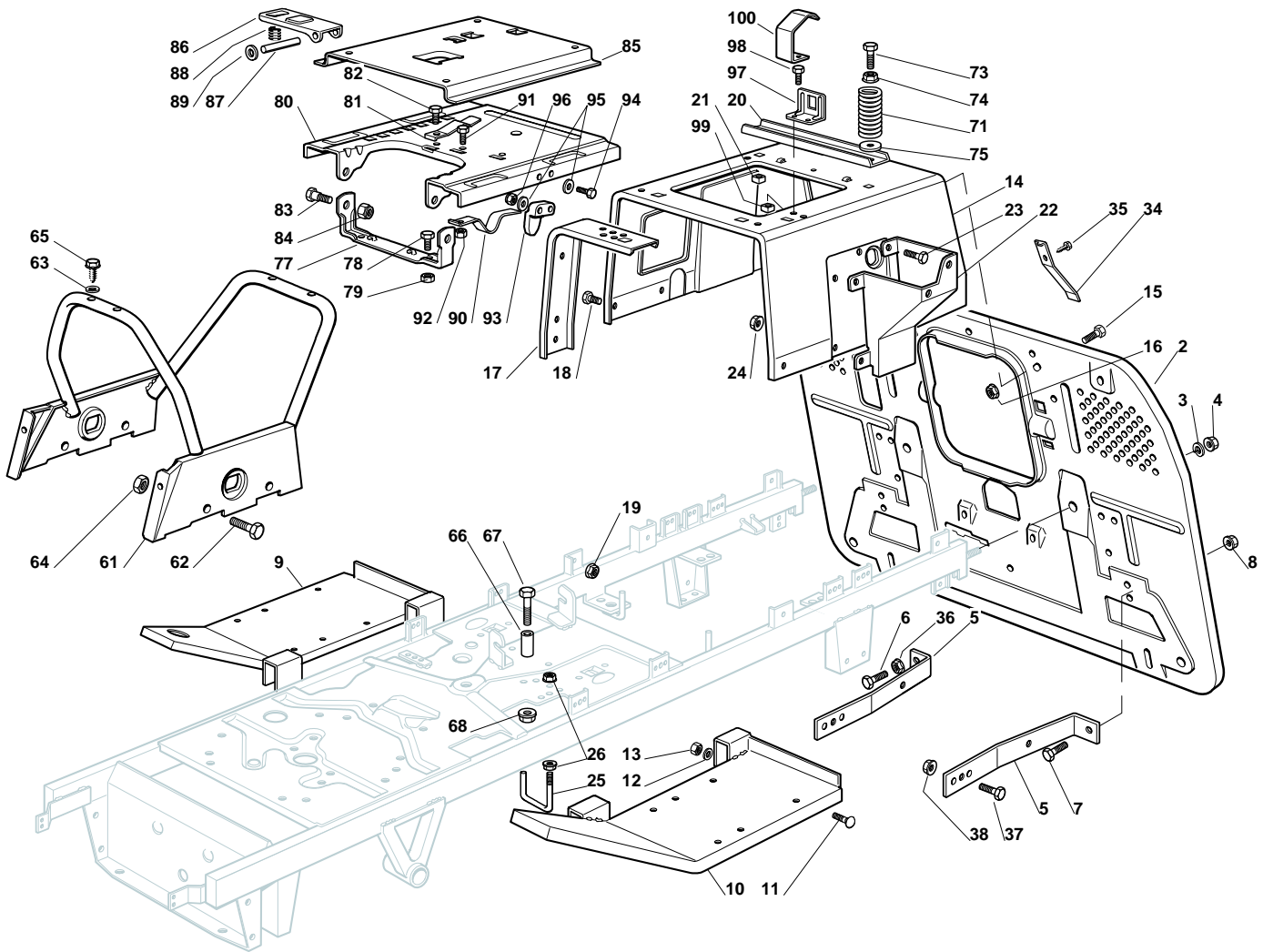


XT 160 HD - XT 170 HD - XT 190 HD - XT 200 HD - Model Year 2010

Chassis

Pos.	Part no.	Q.ty	Description	Remarks
2	382547051/0	1	Plate	
2	382547053/0	1	Plate	
3	12585100/0	2	Grower	
4	12295200/0	2	Nut	
5	25774273/1	2	Stiffening	
6	12691100/0	1	Screw	
7	12793102/0	3	Screw	
8	12293201/0	4	Nut	
9	382510041/2	1	Right Footboard Support	
10	382510043/2	1	Left Footboard Support	
11	12815245/0	4	Screw	
12	12523040/0	4	Washer	
13	12154510/0	4	Nut	
14	325785133/4	1	Seat Support	
15	12791011/0	5	Screw	
16	12292102/0	5	Nut	
17	25650065/0	2	Stiffening	
18	12791011/0	6	Screw	
19	12292102/0	6	Nut	
20	25650067/0	1	Stiffening	
21	12360420/0	2	Nut	
22	325785137/1	1	Support	
23	12791011/0	4	Screw	
24	12292102/0	4	Nut	
25	25580019/0	1	Belt Guide	
26	12292102/0	2	Nut	
34	25430238/0	1	Spring	
35	12731580/0	1	Screw	
36	12293200/0	1	Nut	
37	12793102/0	2	Screw	
38	12293201/0	2	Nut	
61	82650041/1	1	Chassis	
62	12792611/0	4	Screw	
63	12521330/0	4	Washer	
64	12293201/0	4	Nut	
65	12731350/0	4	Screw	
66	22167840/0	1	Spacer (Wheels 15")	
67	12691200/0	1	Screw (Wheels 15")	
68	12293201/0	1	Nut	
71	25430205/1	2	Spring	
73	25943001/0	2	Screw	
74	12293201/0	2	Nut	
75	12523070/0	2	Washer	
77	82774207/0	1	Seat Clamp Support	
78	12792611/0	2	Screw	
79	12293201/0	2	Nut	
80	25785149/2	1	Fixed Seat Supp.	
81	25430203/0	1	Spring	
82	12731580/0	1	Screw	
83	22524970/2	2	Pin	
84	12155010/0	2	Nut	
85	325785147/1	1	Seat Support	
86	25318109/0	1	Stop Lever	
87	25510000/0	1	Pin	
88	25430202/0	1	Spring	
89	12604897/0	2	Washer	
90	25430223/2	1	Spring	
91	12789000/0	1	Screw	
92	12154330/0	1	Nut	
93	25060033/0	1	Cam	
94	12815050/0	2	Screw	
95	12521320/0	4	Washer	
96	12154330/0	2	Nut	
97	25755025/1	1	Bracket	
98	12735110/0	2	Screw	
99	12437502/0	2	Nut	
100	25430255/0	1	Spring	

Chassis



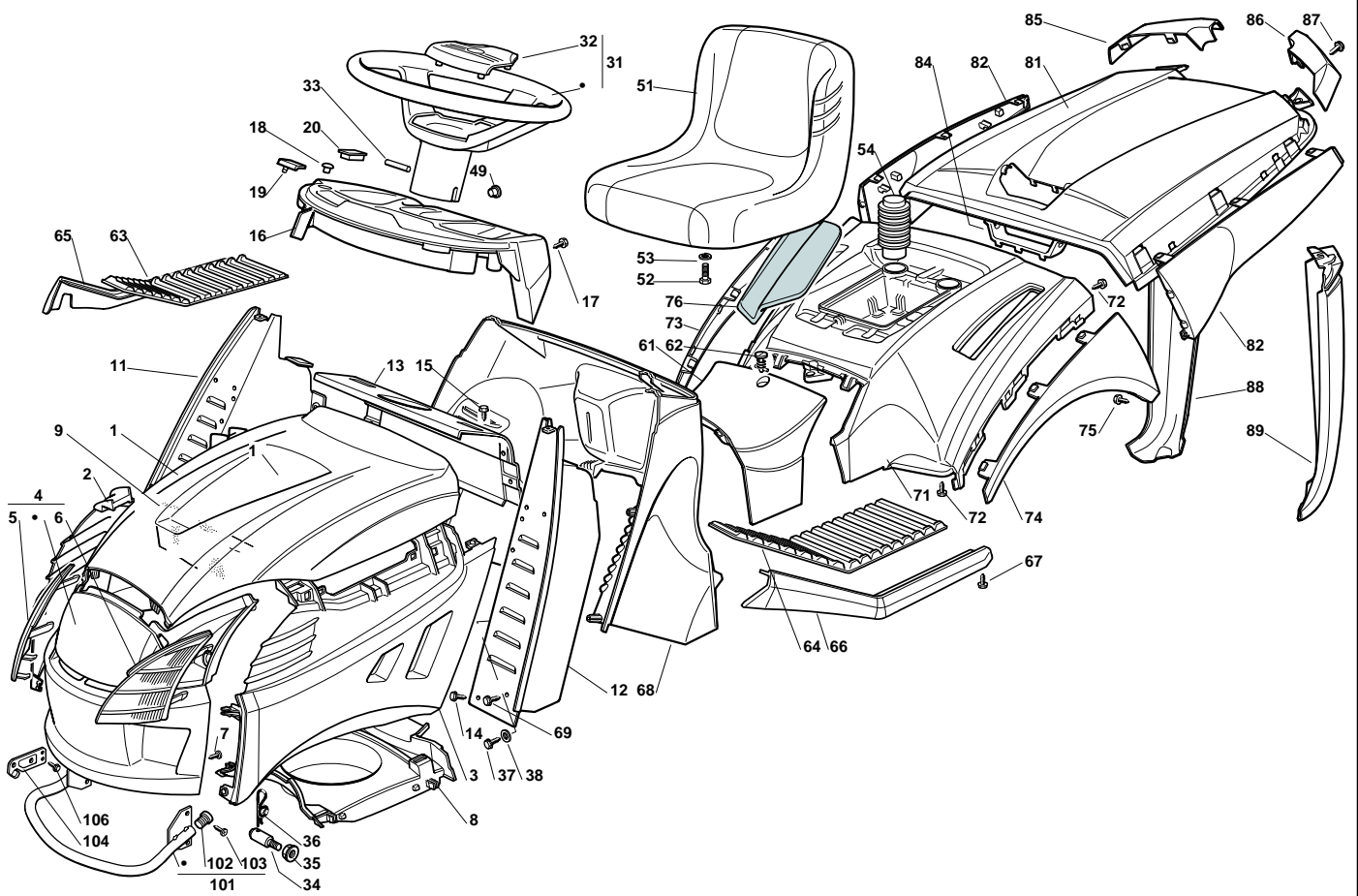


XT 160 HD - XT 170 HD - XT 190 HD - XT 200 HD - Model Year 2010

Chassis

Pos.	Part no.	Q.ty	Description	Remarks
101	12735120/0	1	Screw	
102	25430235/0	1	Spring	
103	25755016/0	1	Bracket	
104	12789000/0	2	Screw	
105	12154330/0	2	Nut	
106	25486020/0	1	Shoe	
107	12789000/0	2	Screw	
108	12154330/0	2	Nut	
109	25580014/1	1	Belt Guide	
110	12523060/0	1	Washer	
111	12360425/0	1	Nut	
112	25580022/0	1	Belt Guide	
113	25160032/0	1	Spacer	
114	25430241/0	1	Spring	
115	12689515/0	1	Screw	
116	12523050/0	1	Washer	
117	12154510/0	1	Nut	

Body



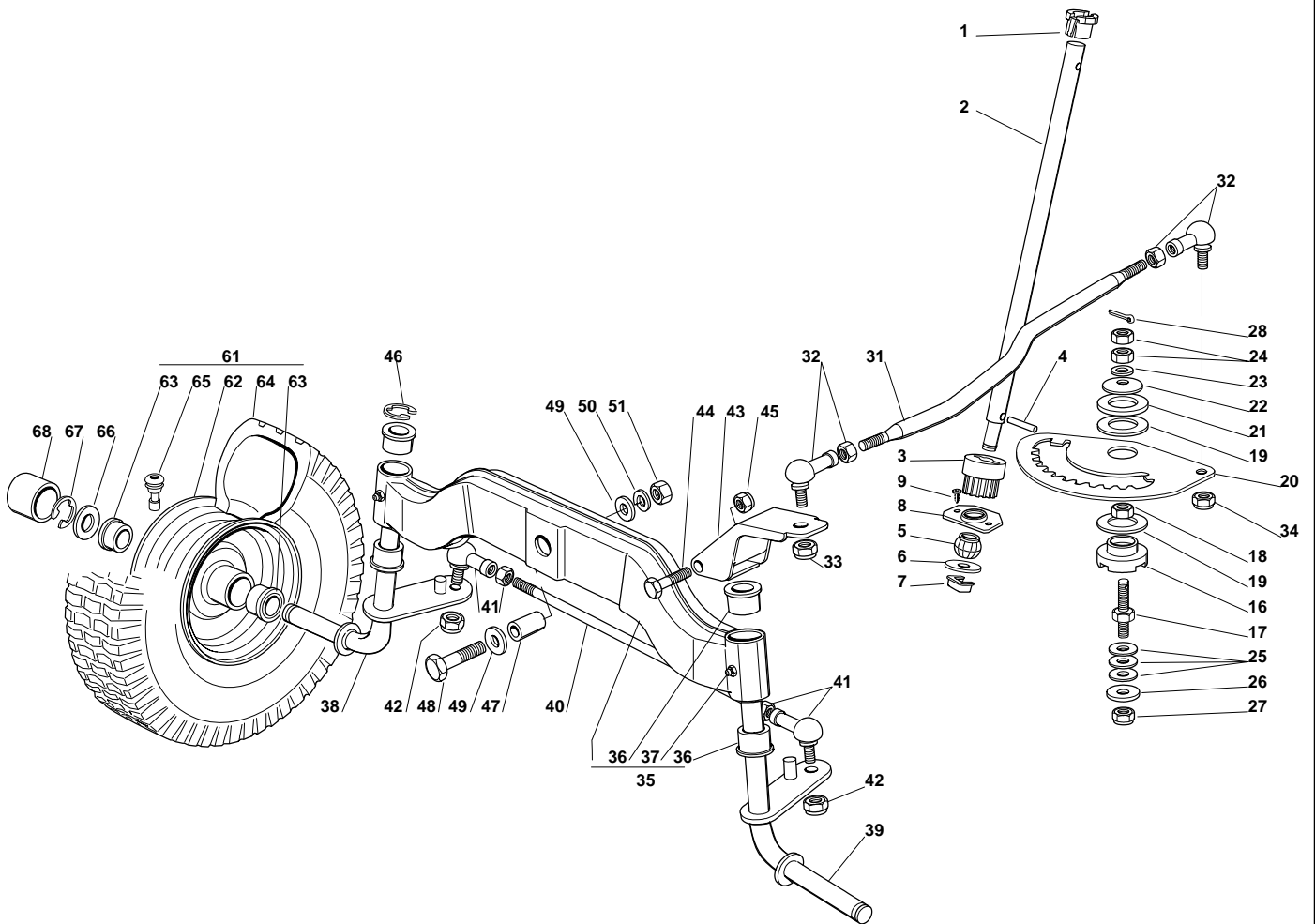


XT 160 HD - XT 170 HD - XT 190 HD - XT 200 HD - Model Year 2010

Body

Pos.	Part no.	Q.ty	Description	Remarks
1	25076858/0	1	Upper Engine Hood	
2	325207120/1	1	Hood, Right	
3	325207121/1	1	Hood, Left	
4	82394607/0	1	Hood, Front	
5	25410874/0	1	Right Grill	
6	25410875/0	1	Left Grill	
7	12735405/0	6	Screw	
8	25108025/0	1	Conveyor	
9	25730016/0	1	Intake Separator	
11	382785022/8	1	Right Dashboard Supp.	
12	382785021/7	1	Left Dashboard Supp.	
13	82785137/0	1	Central Dashboard Supp	
14	12735110/0	2	Screw	
15	12735110/0	4	Screw	
16	325120197/1	1	Dashboard, Red	
16	325120198/1	1	Dashboard, Black	
17	12728440/0	4	Screw	
18	25120200/0	2	Plug	
19	25260000/0	2	Grommet	
20	25120234/0	1	Cap	
31	25961214/0	1	Steering Wheel	
32	325580500/0	1	Cap	
33	12620299/0	1	Pin	
34	25510068/0	2	Pin	
35	12293201/0	2	Nut	
36	24487998/0	1	Cotter Pin	
37	12731350/0	2	Screw	
38	12521330/0	2	Washer	
49	25120233/0	1	Cap	
51	25722459/0	1	Seat	
52	12793102/0	4	Screw	
53	12583500/0	4	Grower	
54	25737002/0	2	Hood	
61	25110303/0	1	Cover	
61	25110306/0	1	Cover (Hydro)	
62	25580020/0	1	Pivot	
63	25110278/1	1	Right Footboardcover	
64	25110279/0	1	Left Footboard Cover	
65	25599000/0	1	Right Profil	
66	25599001/0	1	Left Profil	
67	12731580/0	6	Screw	
68	25785228/1	1	Dashboard Support	
69	12735403/0	7	Screw	
71	25109744/0	1	Wheels Cover	
72	12735402/0	4	Screw	
73	25109747/0	1	Right Wheel Cover	
74	25109748/0	1	Left Wheel Cover	
75	12728686/0	2	Screw	
76	25207129/0	1	Cover (Hydro)	
76	25207148/0	1	Cover	
76	25207154/0	1	Cover (Hydro)	
76	325207179/0	1	Cover	
81	25110302/0	1	Grass-Catcher Cover	
82	25109745/0	1	Right Cover	
83	25109746/0	1	Left Cover	
84	25394009/0	1	Handle Cover	
85	25207126/0	1	Right Cover	
86	25207127/0	1	Left Cover	
87	12735403/0	4	Screw	
88	25032006/0	1	Right Angle	
89	25032007/0	1	Left Angle	
101	82869019/0	1	Muffler Protection	
102	18737857/0	2	Cap	
103	12734995/0	4	Screw	
104	25547109/1	2	Plate	
106	12731580/0	4	Screw	

Steering





XT 160 HD - XT 170 HD - XT 190 HD - XT 200 HD - Model Year 2010

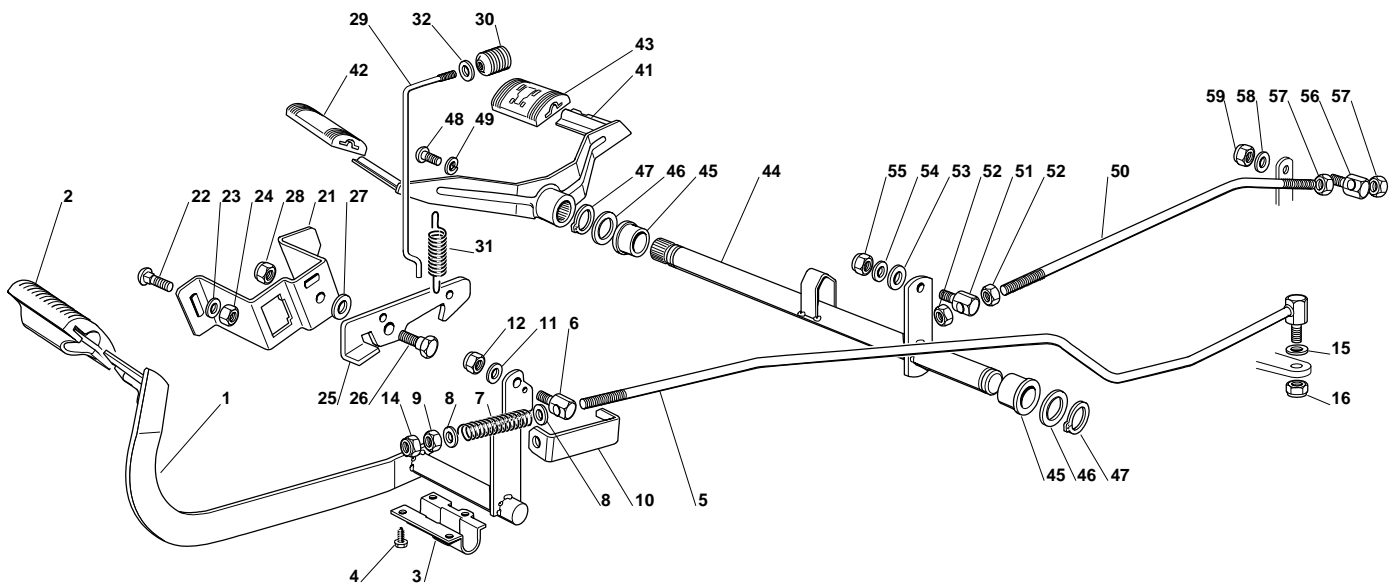
Steering

Pos.	Part no.	Q.ty	Description	Remarks
1	25038004/0	1	Bush	
2	25520005/0	1	Steering Column	
3	25570000/2	1	Pinion	
4	12622650/0	1	Pin	
5	25743000/0	1	Joint	
6	12521370/0	1	Washer	
7	12436030/0	1	Plate	
8	25785213/0	1	Support	
9	12729601/1	2	Screw	
16	25040617/0	1	Bush	
17	25510065/1	1	Pin	
18	12295200/0	1	Nut	
19	25670012/0	2	Washer	
20	25735507/0	1	Steering Shaft	
21	25670014/0	1	Washer	
22	22160400/0	1	Elastic Washer	
23	12521360/0	1	Washer	
24	12295200/0	2	Nut	
25	22672150/0	3	Washer	
26	12523080/0	1	Washer	
27	12156602/0	1	Nut	
28	12141418/0	1	Cotter Pin	
31	25033003/1	1	Steering Rod	
32	22746600/0	2	Joint	
33	12156602/0	1	Nut	
34	12156602/0	1	Nut	
35	82034001/3	1	Equalizer With Bush (With 36 + 37)	
36	25034002/1	4	Brass	
37	12379511/0	2	Grease Dispenser	
38	82230361/0	1	Right Stub Axle	
39	82230359/0	1	Left Stub Axle	
40	25840001/0	1	Tie Rod	
41	22746600/0	2	Joint	
42	12156602/0	2	Nut	
43	82318185/0	1	Lever	
44	12692395/0	1	Screw	
45	12155000/0	1	Nut	
46	12001000/0	1	Snap Ring	
47	25160005/0	1	Spacer	
48	12694100/0	1	Screw	
49	12521390/0	2	Washer	
50	12587900/0	1	Grower	
51	12295800/0	1	Nut	
61	82680007/1	2	Front Wheel Turf Saver Carlisle	
62	82000590/1	2	Rimm	
63	25122200/2	4	Bearing	
64	27590051/0	2	Tire Turf Saver Carlisle	
65	25950000/0	2	Valve	
66	25670005/1	2	Washer	
67	12001000/0	2	Snap Ring	
68	22110230/0	2	Cap	



XT 160 HD - XT 170 HD - XT 190 HD - XT 200 HD - Model Year 2010

Brake And Gearbox Controls

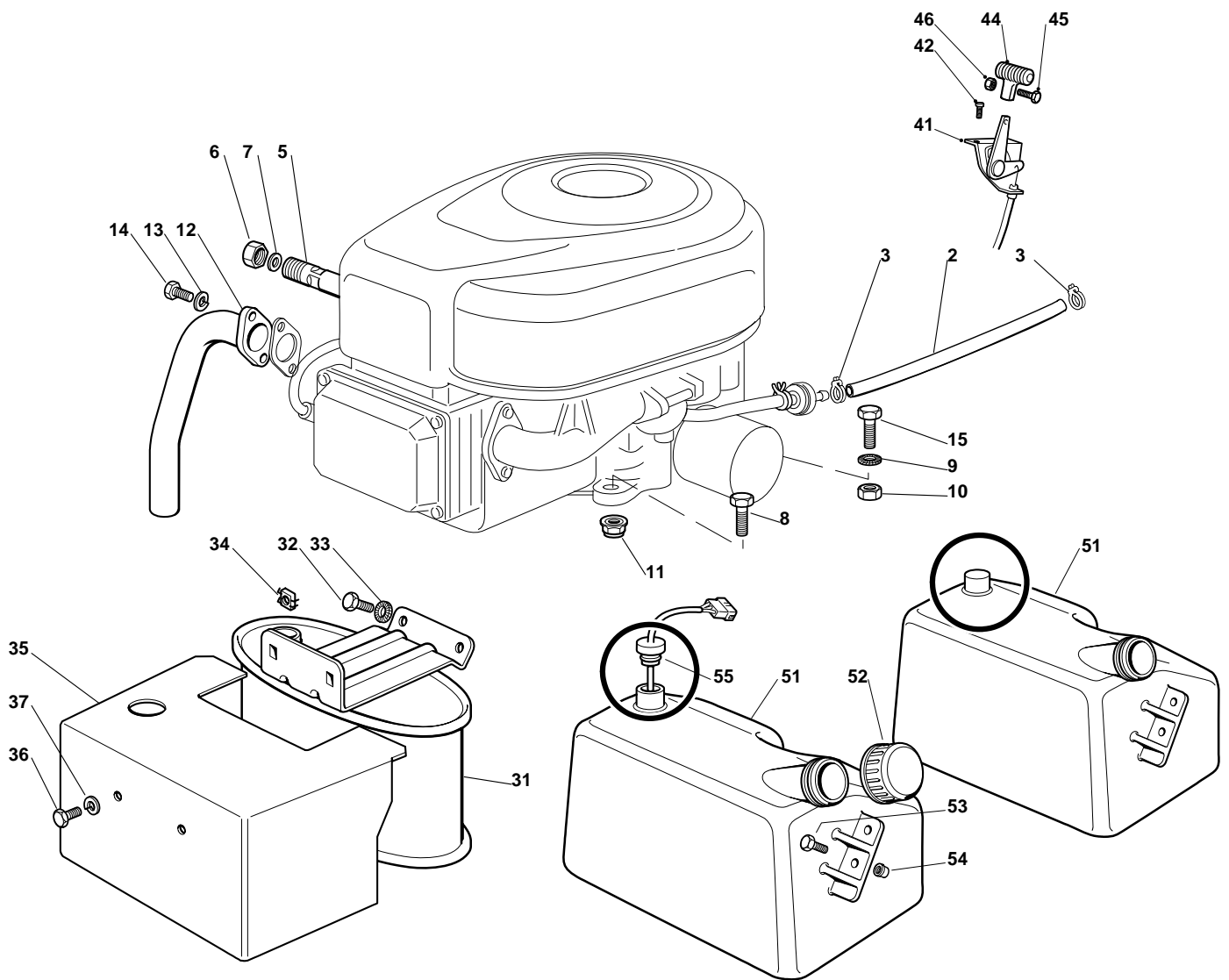




XT 160 HD - XT 170 HD - XT 190 HD - XT 200 HD - Model Year 2010

Brake And Gearbox Controls

Pos.	Part no.	Q.ty	Description	Remarks
1	82500011/2	1	Pedal	
2	25110267/0	1	Clamp Cover	
3	25547081/1	1	Plate	
4	12731601/0	4	Screw	
5	82000487/0	1	Rod	
6	25510052/0	1	Pin	
7	25430236/0	1	Spring	
8	12521360/0	2	Washer	
9	12295200/0	1	Nut	
10	25774275/0	1	Clamp	
11	12521350/0	1	Washer	
12	12155000/0	1	Nut	
14	12156602/0	1	Nut	
15	12521350/0	1	Washer	
16	12155000/0	1	Nut	
21	25785143/0	1	Support	
22	12815210/0	2	Screw	
23	12523040/0	1	Washer	
24	12154510/0	2	Nut	
25	25253001/0	1	Hook	
26	22524970/2	1	Pin	
27	25670011/0	1	Washer	
28	12155000/0	1	Nut	
29	25033047/0	1	Rod (Tx - Ts)	
30	25394509/1	1	Knob	
31	25430213/0	1	Spring	
32	12523020/0	1	Washer	
41	82500013/0	1	Drive Pedal	
42	25110265/0	1	Clamp Cover Front	
43	25110266/0	1	Clamp Cover Rear	
44	82000481/0	1	Axle	
45	22034523/0	2	Bush	
46	22672153/0	2	Washer	
47	12609260/0	2	Seeger	
48	12760600/0	1	Screw	
49	12583501/0	1	Grower	
50	25033031/0	1	Rod	
51	25510054/0	1	Pin	
52	12293200/0	2	Nut	
53	12521360/0	1	Washer	
54	12523040/0	1	Washer	
55	12154510/0	1	Nut	
56	25510054/0	1	Pin	
57	12293200/0	2	Nut	
58	12523040/0	1	Washer	
59	12154510/0	1	Nut	



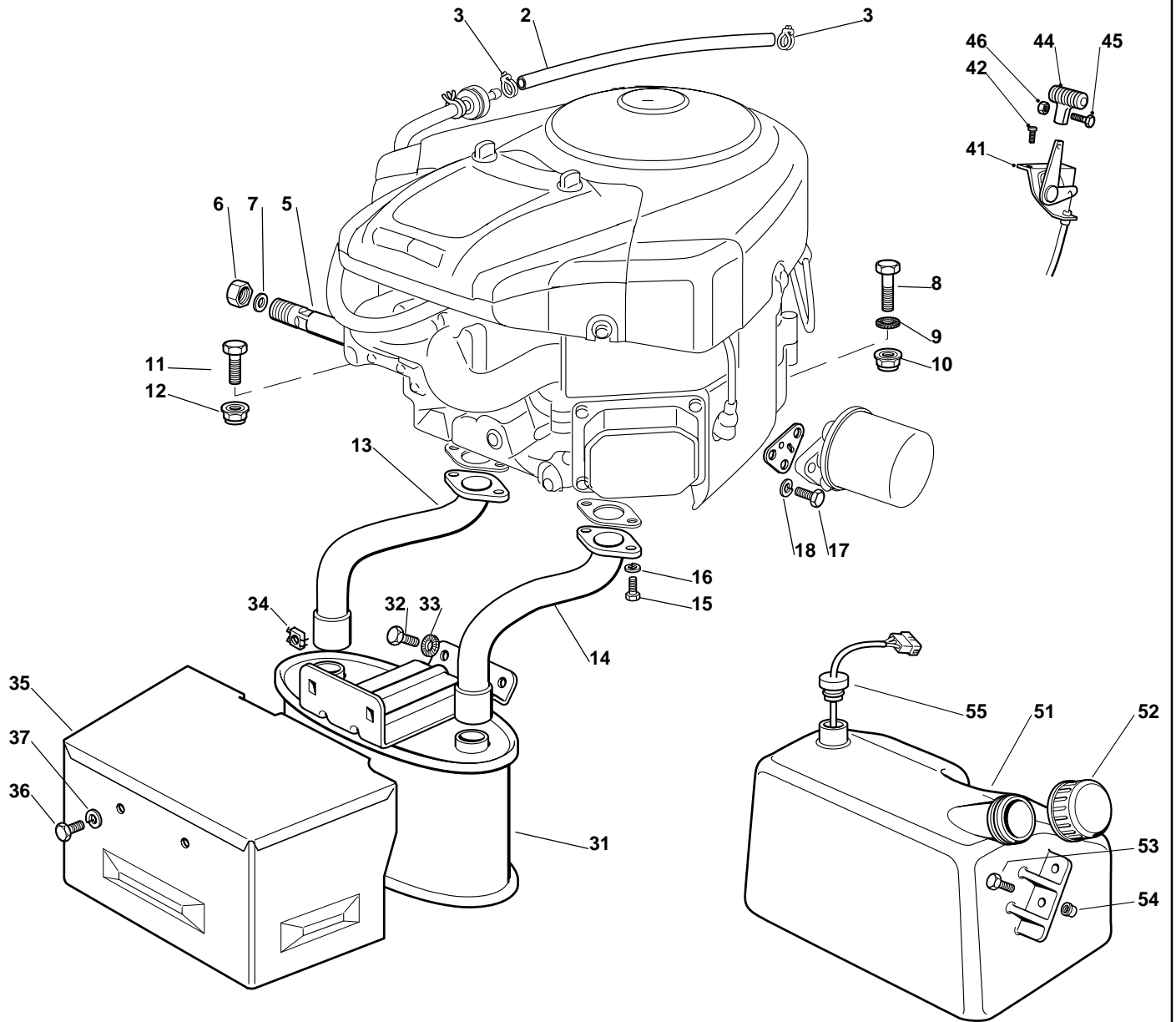


XT 160 HD - XT 170 HD - XT 190 HD - XT 200 HD - Model Year 2010

Engine B&S 15.5-16.5-17.5-18.5 HP

Pos.	Part no.	Q.ty	Description	Remarks
1	—	1	Engine	
2	25869016/1	1	Tube	
3	18375051/1	2	Fair Led	
5	25598050/0	1	Oil Discharge Extension	
6	18737849/0	1	Oil Cap	
7	18401001/1	1	Oil Seal	
8	12691100/0	3	Screw	
9	12540260/0	1	Washer	
10	12154210/0	1	Nut	
11	12154210/0	3	Nut	
12	18738206/0	1	Exhaust Connecting Tube	
13	12583500/0	2	Grower	
14	12735530/0	2	Screw	
15	12691115/0	1	Screw	
31	182750010/0	1	Muffler	
32	12793102/0	2	Screw	
33	12540260/0	2	Washer	
34	12360425/0	2	Nut	
35	82598009/2	1	Guard	
36	12792611/0	2	Screw	
37	12583500/0	2	Grower	
41	82000200/1	1	Accelerator	
42	125943012/0	2	Screw	
44	25394501/0	1	Handle	
45	12726388/0	1	Screw	
46	12290800/0	1	Nut	
51	25735110/3	1	Tank	
51	25735111/3	1	Tank	
52	25795000/1	1	Cap	
53	12788910/0	2	Screw	
54	12500092/0	2	Rivet	
55	25290000/0	1	Fuel Level Indicator	

Engine B&S 20-22-24 HP

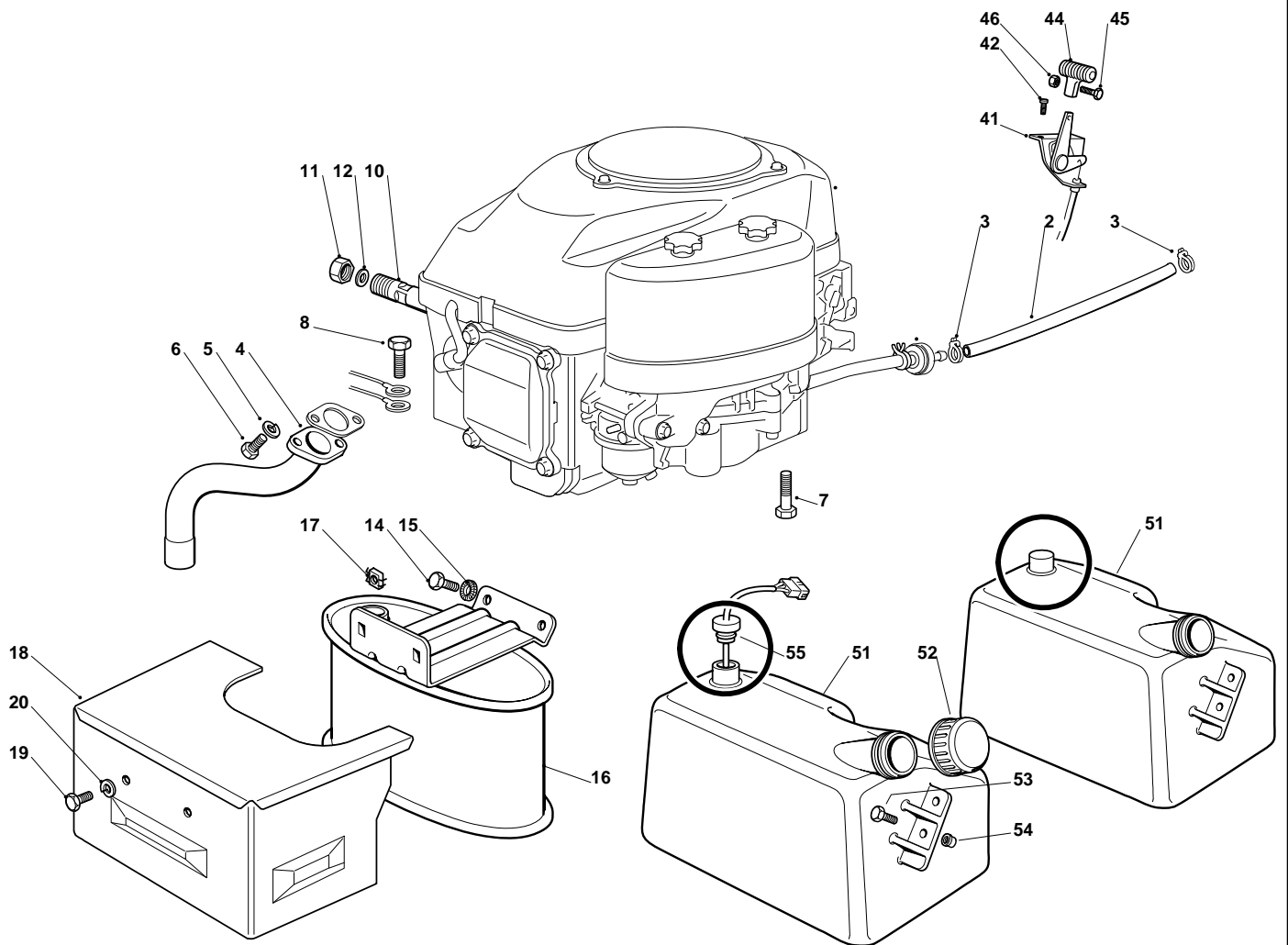




XT 160 HD - XT 170 HD - XT 190 HD - XT 200 HD - Model Year 2010

Engine B&S 20-22-24 HP

Pos.	Part no.	Q.ty	Description	Remarks
1	—	1	Engine	
2	25869016/1	1	Tube	
3	18375051/1	2	Fair Led	
5	25598050/0	1	Oil Discharge Extension	
6	18737849/0	1	Oil Cap	
7	18401001/1	1	Oil Seal	
8	12691115/0	1	Screw	
9	12540260/0	1	Washer	
10	12154210/0	1	Nut	
11	12691100/0	3	Screw	
12	12154210/0	3	Nut	
13	18738214/0	1	Exhaust Tube Right	
14	18738215/0	1	Exhaust Tube Left	
15	12735530/0	4	Screw	
16	12583500/0	4	Grower	
17	12791400/0	3	Screw	
18	12582100/0	3	Grower	
31	82750003/0	1	Muffler	
32	12793102/0	2	Screw	
33	12540260/0	2	Washer	
34	12360425/0	2	Nut	
35	82598005/2	1	Guard	
36	12792611/0	2	Screw	
37	12583500/0	2	Grower	
41	82000211/1	1	Accelerator	
42	125943012/0	2	Screw	
44	25394501/0	1	Handle	
45	12726388/0	1	Screw	
46	12290800/0	1	Nut	
51	25735111/3	1	Tank	
52	25795000/1	1	Cap	
53	12788910/0	2	Screw	
54	12500092/0	2	Rivet	
55	25290000/0	1	Fuel Level Indicator	



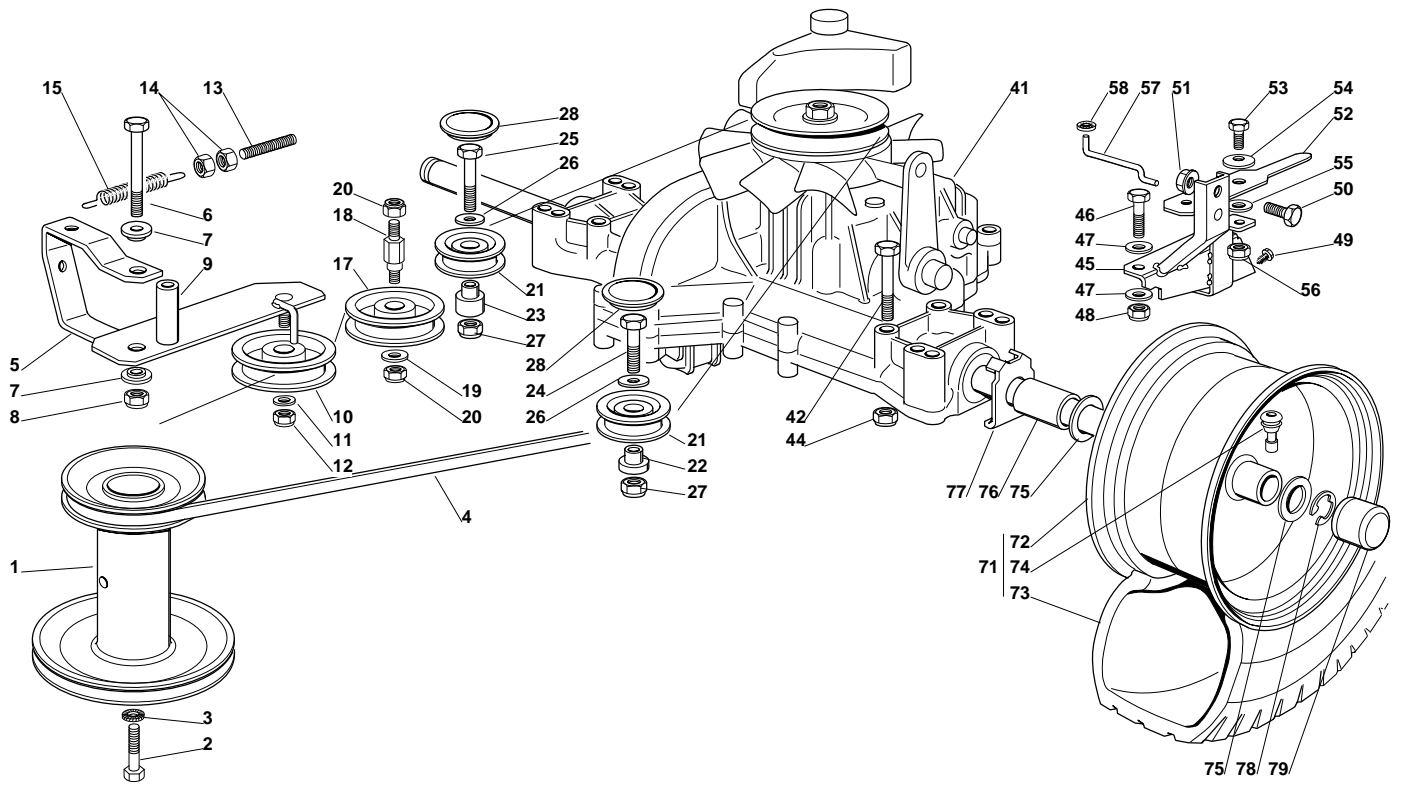


XT 160 HD - XT 170 HD - XT 190 HD - XT 200 HD - Model Year 2010

Engine GGP 13.5-14-14.5-16 HP

Pos.	Part no.	Q.ty	Description	Remarks
1	—	1	Engine	
2	25869057/0	1	Connecting Tube (1000 Mm)	
3	18375051/1	4	Fair Led	
4	118738231/1	1	Exhaust Tube	
5	12583500/0	2	Grower	
6	12737450/0	2	Screw	
7	112735108/1	4	Screw	
8	12735599/0	1	Screw	
10	27598060/0	1	Oil Discharge Extension	
11	18737849/0	1	Oil Cap	
12	18401001/1	1	Oil Seal	
14	12793102/0	2	Screw	
15	12540260/0	2	Washer	
16	182750010/0	1	Muffler	
17	12360425/0	2	Nut	
18	382598039/0	1	Guard	
19	12792611/0	2	Screw	
20	12583500/0	2	Grower	
41	182000212/0	1	Accelerator	
42	125943012/0	2	Screw	
44	25394501/0	1	Handle	
45	12726388/0	1	Screw	
46	12290800/0	1	Nut	
51	25735110/3	1	Tank	
51	25735111/3	1	Tank	
52	25795000/1	1	Cap	
53	12788910/0	2	Screw	
54	12500092/0	2	Rivet	
55	25290000/0	1	Fuel Level Indicator	

Transmission



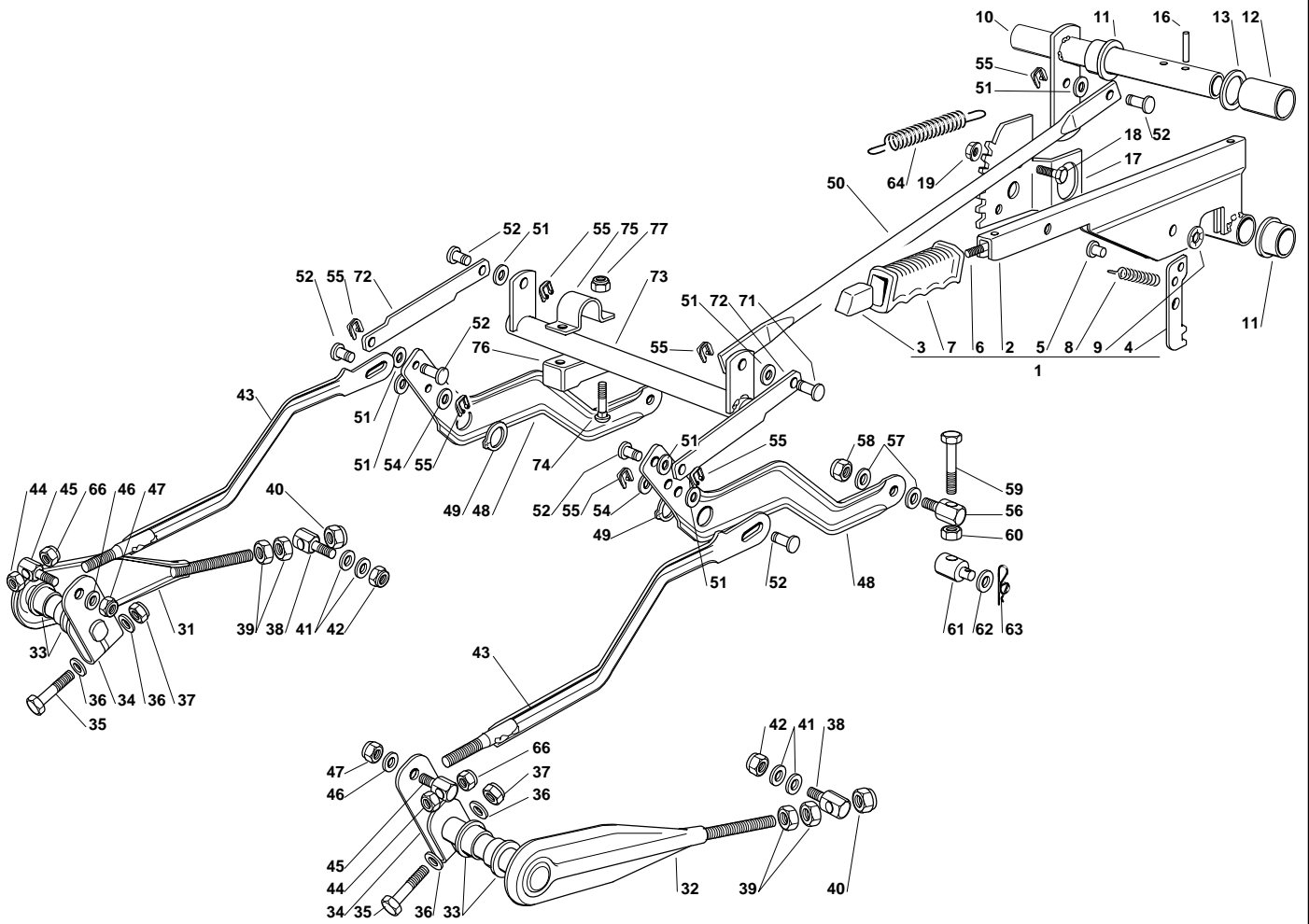


XT 160 HD - XT 170 HD - XT 190 HD - XT 200 HD - Model Year 2010

Transmission

Pos.	Part no.	Q.ty	Description	Remarks
1	25601568/0	1	Pulley	
2	12737310/0	1	Screw	
3	12543000/0	1	Washer	
4	35062001/0	1	Belt	
5	82318165/1	1	Lever	
6	12692000/0	1	Screw	
7	25038002/1	2	Bush	
8	12155000/0	1	Nut	
9	25160027/0	1	Spacer	
10	25601554/0	1	Pulley	
11	12523060/0	1	Washer	
12	12155000/0	1	Nut	
13	25840010/1	1	Tie Rod	
14	12293200/0	2	Nut	
15	25430219/0	1	Spring	
17	25601555/0	1	Pulley	
18	25510036/1	1	Pin	
19	12523060/0	1	Washer	
20	12155000/0	2	Nut	
21	325601570/1	2	Pulley	
22	125160030/1	1	Spacer	
23	125160024/2	1	Spacer	
24	12691115/0	1	Screw	
25	12691400/0	1	Right Screw	
26	12523060/0	2	Washer	
27	12155000/0	2	Nut	
28	25109521/1	2	Cover	
41	18400950/1	1	Rear Axle Tuff Torq K46F	
42	12691800/0	4	Screw	
44	12154210/0	4	Nut	
45	82785109/0	1	Support	
46	12691200/0	1	Screw (Wheels 15")	
47	12521350/0	2	Washer	
48	12155000/0	1	Nut	
49	12735120/0	2	Screw	
50	12792611/0	1	Screw	
51	12293201/0	1	Nut	
52	25318157/0	1	Lever	
53	12793102/0	1	Screw	
54	12369500/0	1	Washer	
55	25670011/0	1	Washer	
56	12155000/0	1	Nut	
57	25033033/0	1	Rod	
58	12604896/0	1	Snap Ring	
71	82680006/0	2	Rear Wheel Deli Tire	
72	82000592/0	2	Rimm	
73	25590003/0	2	Tire Deli Tire	
74	25950000/0	2	Valve	
75	25670005/1	4	Washer	
76	25160023/0	2	Spacer	
77	325670025/0	2	Washer	
78	12001010/0	2	Snap Ring	
79	22110230/0	2	Cap	

Cutting Plate Lifting



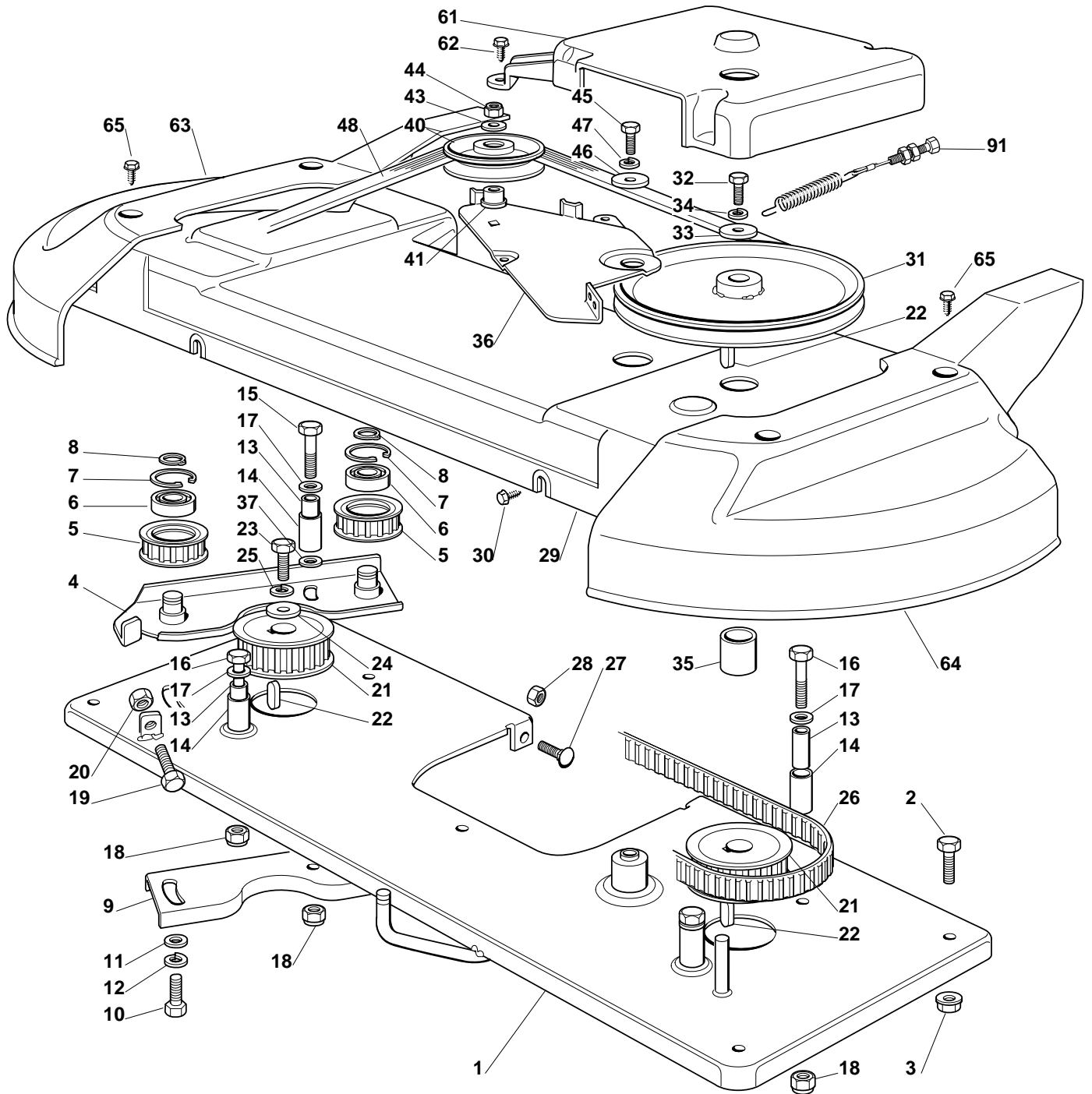


XT 160 HD - XT 170 HD - XT 190 HD - XT 200 HD - Model Year 2010

Cutting Plate Lifting

Pos.	Part no.	Q.ty	Description	Remarks
1	82300002/1	1	Lever Ass.Y (2 ÷ 9)	
2	82318139/0	1	Lever	
3	25605000/1	1	Button	
4	25470901/0	1	Dog	
5	25510011/0	1	Pin	
6	25033002/0	1	Rod	
7	25394504/1	1	Knob	
8	25430208/0	1	Spring	
9	12604899/0	1	Crown Fastener	
10	382000551/0	1	Axle	
11	22034523/0	2	Bush	
12	25160025/0	1	Spacer	
13	22672153/0	1	Washer	
16	12620206/0	2	Pin	
17	25735506/1	1	Sector	
18	12792611/0	2	Screw	
19	12293201/0	2	Nut	
31	82318155/0	1	Right Lever (Mod. 102)	
32	82318157/0	1	Left Lever (Mod. 102)	
33	25040605/0	4	Bush	
34	25318161/0	2	Lever	
35	12691700/0	2	Screw	
36	12521350/0	4	Washer	
37	12155000/0	2	Nut	
38	25510056/0	2	Pin	
39	12295200/0	4	Nut	
40	12156602/0	2	Nut	
41	25670008/1	4	Washer	
42	12156602/0	2	Nut	
43	82000477/2	2	Connecting Rod	
44	12155000/0	2	Nut	
45	25510055/0	2	Pin	
46	12521350/0	2	Washer	
47	12155000/0	2	Nut	
48	25318153/1	2	Rear Lever	
49	12609255/0	2	Seeger	
50	325033071/0	1	Connecting Rod	
51	25670011/0	7	Washer	
52	125510117/0	7	Pin (Mod. 122)	
54	12521350/0	2	Washer	
55	12436050/0	7	Plate	
56	25510056/0	2	Pin	
57	25670008/1	4	Washer	
58	12156602/0	2	Nut	
59	12794980/0	2	Screw (Mod. 102)	
60	12295200/0	2	Nut	
61	25510070/0	2	Pin	
62	12523090/0	2	Washer	
63	24487998/0	2	Cotter Pin	
64	25430218/0	1	Spring	
66	12293200/0	2	Nut	
71	25510048/0	1	Pin (Mod. 122)	
72	325318223/0	2	Lever	
73	382000547/0	1	Axle	
74	12815240/0	4	Screw	
75	325547203/0	2	Plate	
76	325785292/0	2	Bracket	
77	12154510/0	4	Nut	

Cutting Plate (1)



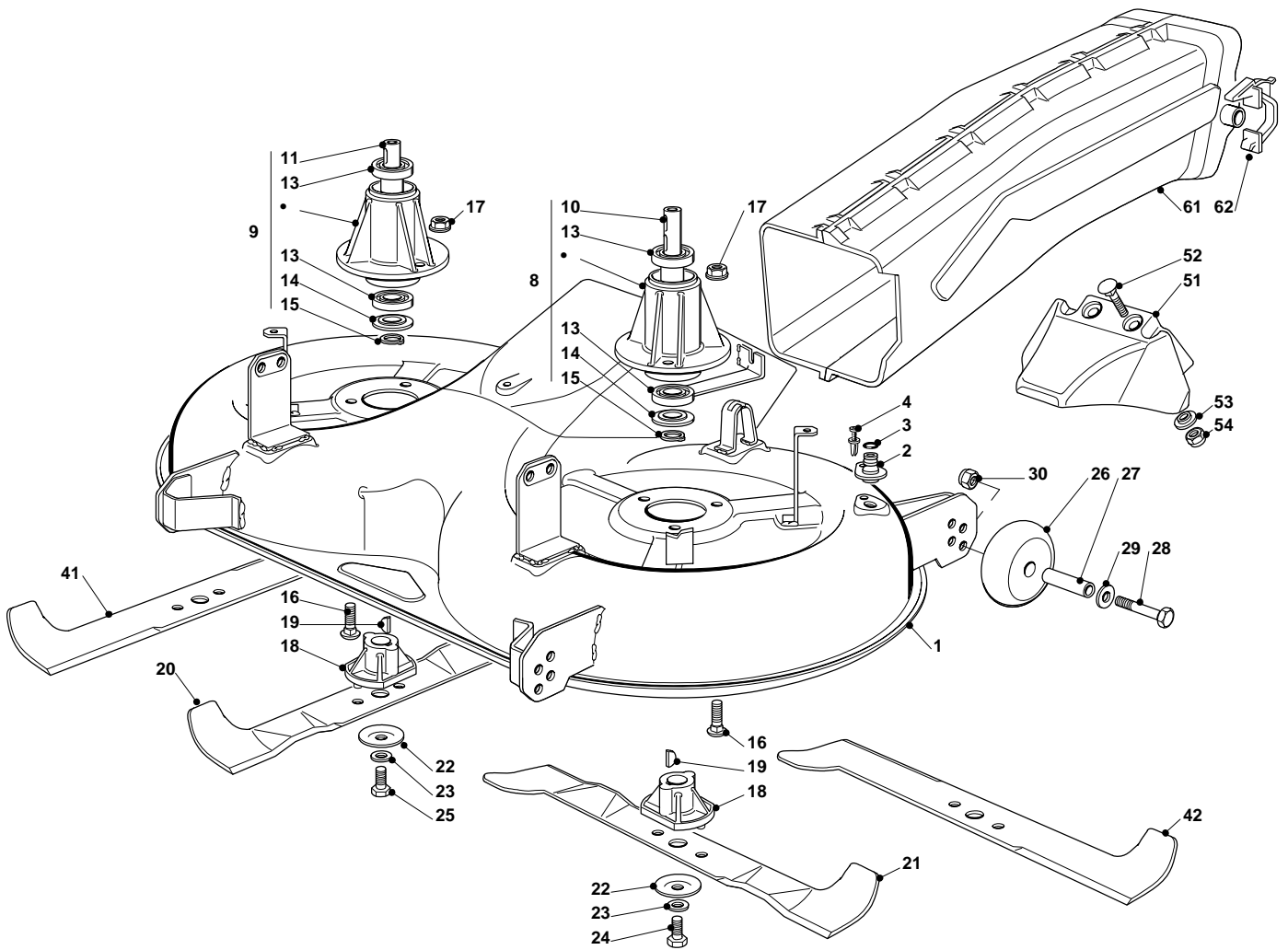


XT 160 HD - XT 170 HD - XT 190 HD - XT 200 HD - Model Year 2010

Cutting Plate (1)

Pos.	Part no.	Q.ty	Description	Remarks
1	82547003/2	1	Plate (Mod. 102)	
2	12792611/0	4	Screw	
3	12293201/0	4	Nut	
4	82785084/1	1	Support	
5	25601559/1	2	Pulley (Mod. 102)	
6	19216033/1	2	Bearing	
7	12610800/0	2	Seeger	
8	12609200/0	2	Seeger	
9	25650037/0	1	Stiffening	
10	12793102/0	2	Screw	
11	12521350/0	2	Washer	
12	12583500/0	2	Grower	
13	25160003/0	4	Spacer	
14	25038000/0	4	Bushing	
15	12691700/0	1	Screw	
16	12691200/0	3	Screw (Wheels 15")	
17	12521350/0	4	Washer	
18	12155000/0	4	Nut	
19	12793900/0	1	Screw	
20	12293200/0	1	Nut	
21	25601560/0	2	Pulley (Mod. 102)	
22	12139480/0	3	Key	
23	12793102/0	1	Screw	
24	25670007/0	1	Washer	
25	12583500/0	1	Grower	
26	35065600/0	1	Belt (Mod. 102)	
27	12815200/0	3	Screw	
28	12292102/0	3	Nut	
29	325060128/0	1	Case (Mod. 102)	
30	12735110/0	6	Screw	
31	25601550/0	1	Pulley (Mod. 102)	
32	12793102/0	1	Screw	
33	25670007/0	1	Washer	
34	12583500/0	1	Grower	
35	25160002/0	1	Spacer	
36	25318115/1	1	Brake Lever (Mod. 102)	
40	25601555/0	1	Pulley	
41	25160007/0	1	Spacer	
42	12818900/0	1	Screw	
43	12523060/0	1	Washer	
44	12155000/0	1	Nut	
45	12793102/0	1	Screw	
46	12523070/0	1	Washer	
47	12583500/0	1	Grower	
48	35062811/0	1	Belt (Mod. 102)	
48	35062813/0	1	Belt (Mod. 102)	
50	12523060/0	1	Washer	
61	25600049/0	1	Guard (Mod. 102)	
62	12735403/0	3	Screw	
63	25060113/0	1	Guard Grey	
64	25060114/0	1	Guard Grey	
65	12735403/0	4	Screw	
91	82004608/0	1	Wire (Mod. 102)	

Cutting Plate (2)



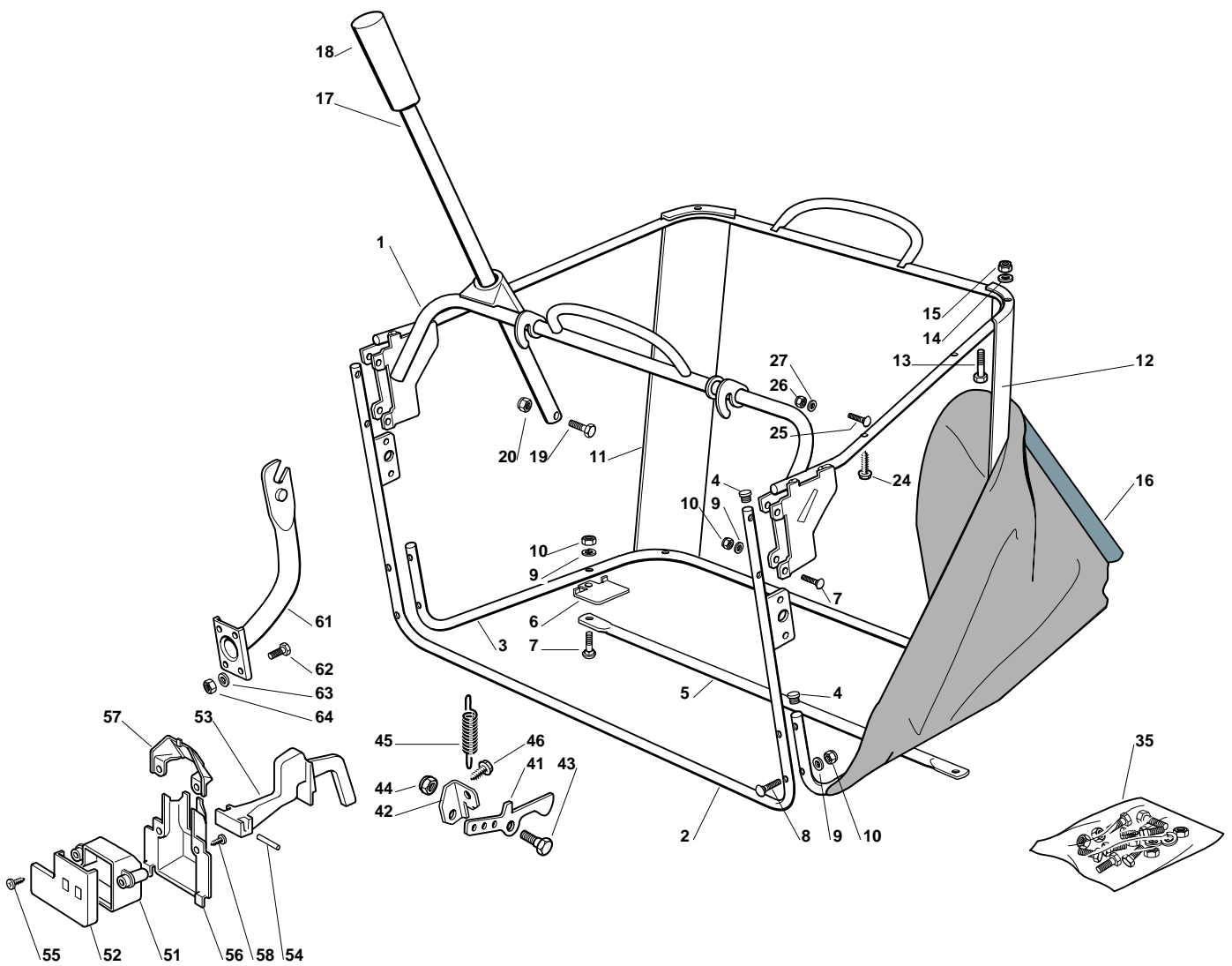


XT 160 HD - XT 170 HD - XT 190 HD - XT 200 HD - Model Year 2010

Cutting Plate (2)

Pos.	Part no.	Q.ty	Description	Remarks
1	382564096/2	1	Cutting Plate Red	
2	25033060/0	2	Water Hose Connection	
3	19035000/0	2	Or Ring	
4	12500030/0	2	Rivet	
8	82207200/1	1	Main Shaft Support	
9	82207201/2	1	Secondary Shaft Support	
10	25020800/1	1	Main Blade Shaft	
11	25020801/2	1	Secondary Blade Shaft	
13	19216032/0	4	Bearing	
14	25160501/0	2	Dust Cover	
15	12609260/0	2	Seeger	
16	12818700/0	6	Screw	
17	12154210/0	6	Nut	
18	25463200/0	2	Blade Hub	
19	12139100/0	2	Key	
20	82004348/0	1	Right Blade Mulching, Winged (Mod. 102)	
21	82004347/0	1	Left Blade Mulching, Winged (Mod. 102)	
22	22160400/0	2	Elastic Washer	
23	12523080/0	2	Washer	
24	12735694/0	1	Screw	
25	12735695/1	1	Screw	
26	82700001/0	4	Anti Scalp Wheel D.100	
26	82700002/0	4	Anti Scalp Wheel D.80	
27	25510072/0	4	Spacer	
28	12692050/0	4	Screw	
29	12523060/0	4	Washer	
30	12293201/0	4	Nut	
41	82004341/1	1	Right Blade, Winged	
42	82004340/1	1	Left Blade, Winged	
51	325140100/0	1	Deflector	
52	12815210/0	2	Screw	
53	25038002/1	2	Bush	
54	12154510/0	2	Nut	
61	382108016/0	1	Conveyor	
62	25774373/0	2	Clamp	

Grasscatcher



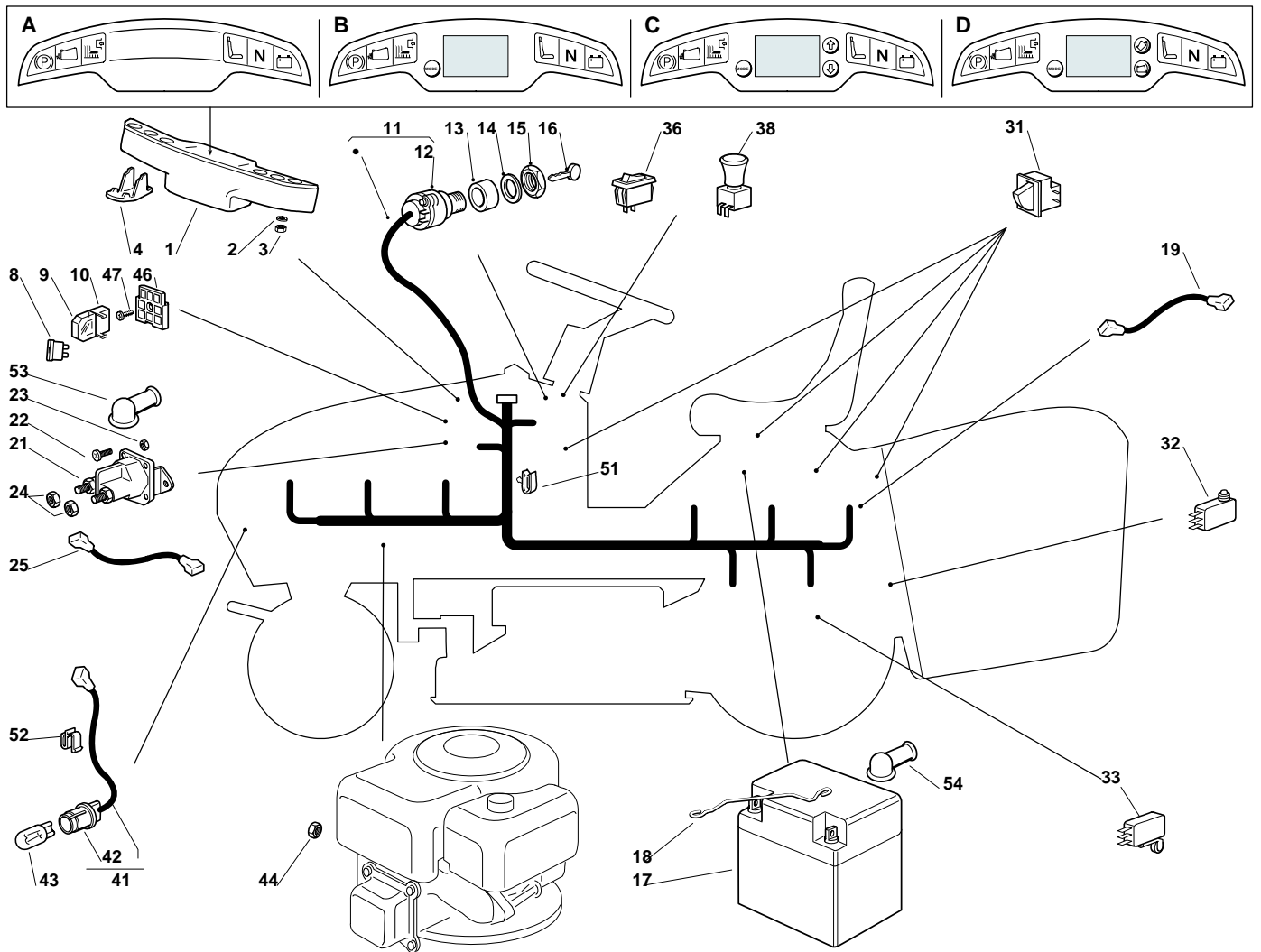


XT 160 HD - XT 170 HD - XT 190 HD - XT 200 HD - Model Year 2010

Grasscatcher

Pos.	Part no.	Q.ty	Description	Remarks
1	382800079/1	1		
2	82800089/0	1	Front Frame	
3	25800017/0	1	Lower Frame	
4	18566112/0	4	Cap	
5	82650043/0	1	Lower Stiffening	
6	25547131/0	1	Plate	
7	12815220/0	6	Screw	
8	12815245/0	4	Screw	
9	12521330/0	10	Washer	
10	12154510/0	10	Nut	
11	25032013/0	1	Right Angular Support	
12	25032015/0	1	Left Angular Support	
13	12689500/0	4	Screw	
14	12521330/0	8	Washer	
15	12154510/0	8	Nut	
16	82105980/0	1	Grasscatcher	
17	25869029/1	1	Rod	
18	25394508/0	1	Handle	
19	12674550/0	1	Screw	
20	12154510/0	1	Nut	
24	12735410/0	4	Screw	
25	12815220/0	2	Screw	
26	12521330/0	2	Washer	
27	12154510/0	2	Nut	
35	382180037/3	1	Screws Outfit	
41	25774315/0	1	Bracket	
42	25755031/0	1	Bracket	
43	25510080/0	1	Pin	
44	12292102/0	1	Nut	
45	25430210/0	1	Spring	
46	12735122/0	1	Screw	
51	25600041/0	1	Micro Protection	
52	25600042/0	1	Protection Cover	
53	25318124/0	1	Lever	
54	12400030/0	1	Pin	
55	12728510/0	1	Screw	
56	25600047/0	1	Micro Protection	
57	25600048/0	1	Protection Cover	
58	12728450/0	2	Screw	
61	82774225/1	2	Support	
62	12793102/0	6	Screw	
63	12523060/0	6	Washer	
64	12293201/0	6	Nut	

Electrical Parts





XT 160 HD - XT 170 HD - XT 190 HD - XT 200 HD - Model Year 2010

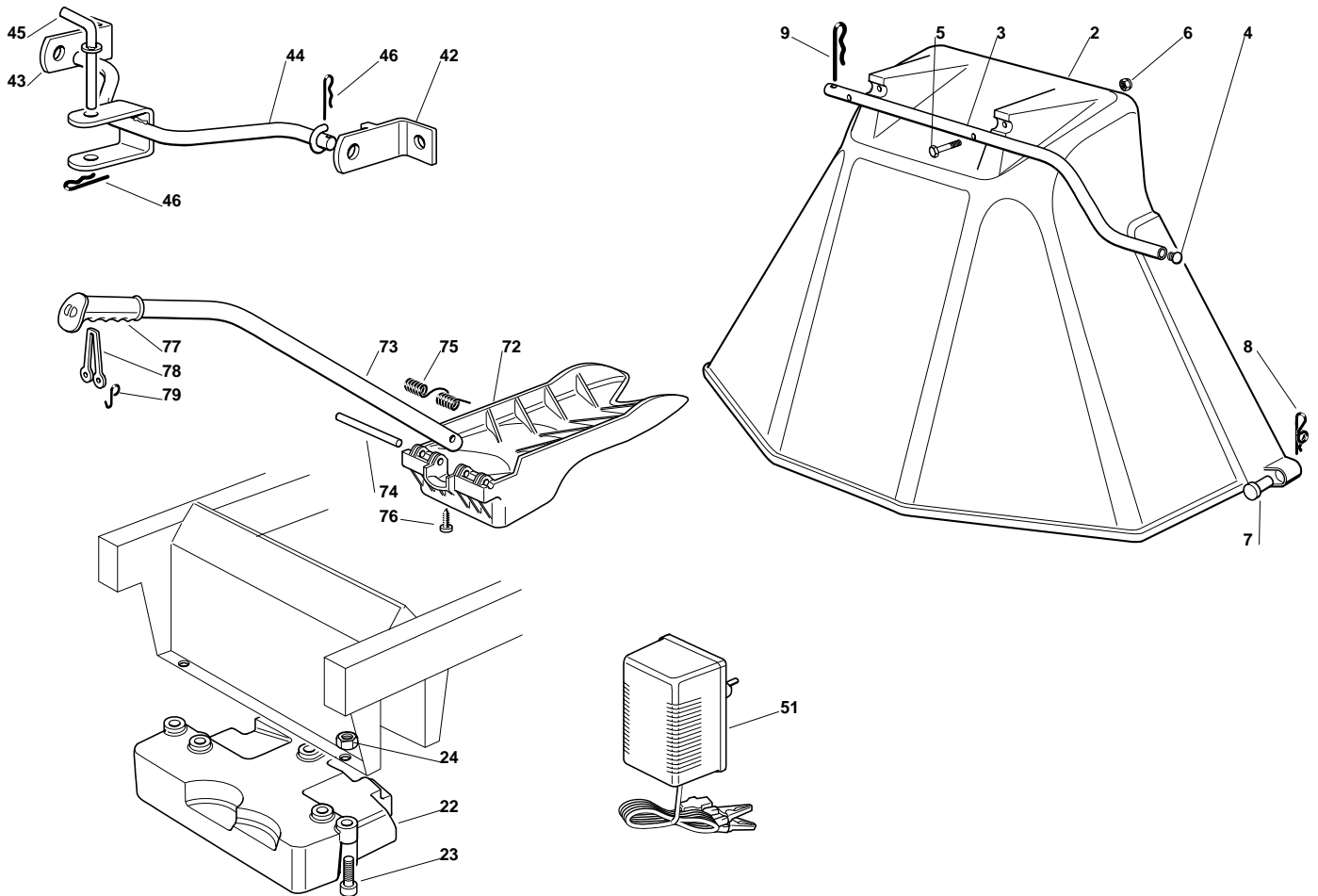
Electrical Parts

Pos.	Part no.	Q.ty	Description	Remarks
1	382722422/2	1	Cards + Guards (D)	
1	82722420/1	1	Cards + Guards (A)	
1	82722421/1	1	Cards + Guards (B)	
1	82722423/1	1	Cards + Guards (C)	
2	12521320/0	2	Washer	
3	12154330/0	2	Nut	
4	25031501/0	1	Deflector	
8	33340035/0	1	Fuse 15 A	
8	33340036/0	1	Fuse 25 A	
8	33340040/0	1	Fuse 10 A	
9	33215000/0	3	Cover	
9	33215000/0	2	Cover	
10	33500007/0	2	Fuse Carrier	
10	33500007/0	3	Fuse Carrier	
11	182040147/0	1	Cables Ass.Y	
12	18450072/0	1	Starting Switch	
13	18550136/0	1	Spacer	
14	18550135/0	1	Washer	
15	18400862/0	1	Ringnut	
16	18210022/0	1	Starting Key	
17	18120002/1	1	Battery	
18	25430230/0	1	Spring	
19	125065030/0	1	Connecting cable	
21	18736110/0	1	Starter Relay	
22	12791011/0	2	Screw	
23	12292102/0	2	Nut	
24	12360352/0	2	Nut	
25	25065002/0	1	Cable	
31	119410615/0	4	Micro	
31	119410615/0	3	Micro	
32	19410605/1	1	Full Grasscat. Microsw.	
33	19410609/0	1	Neutral Switch (Hydro)	
34	19410608/1	1	Neutral Switch (Mech.)	
35	25065026/0	1	Cable (Mech.)	
36	18450060/1	1	Fairlamp Switch	
38	18450068/0	1	Clutch Switch	
41	82040073/0	1	Cable	
42	33500030/0	2	Lamp Holder	
43	18459100/0	2	Fairlamp For Lights	
44	12361005/0	1	Nut	
46	133500010/1	1	Plate	
47	12735170/0	1	Screw	
51	33320506/0	5	Fairled	
52	33320504/0	1	Fairled	
53	18564861/1	1	Protection	
54	18564864/1	1	Protection	
61	382394853/0	1	Switch Ass.Y (Hydro)	
62	19410609/0	1	Neutral Switch (Hydro)	
63	12735602/0	2	Screw	
64	12581100/0	2	Grower	
65	12290791/0	2	Nut	
66	12735110/0	2	Screw	



XT 160 HD - XT 170 HD - XT 190 HD - XT 200 HD - Model Year 2010

Optionals On Request



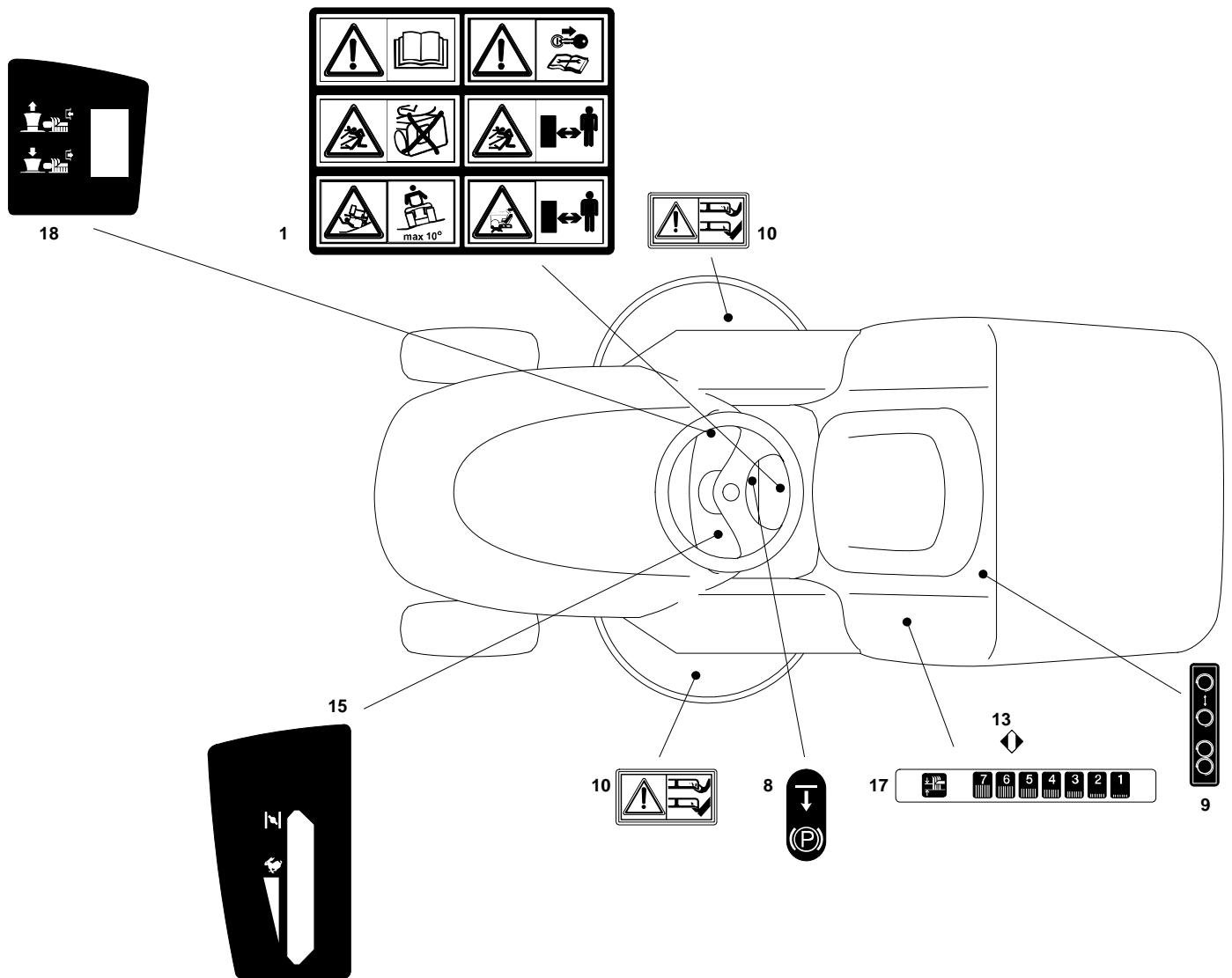


XT 160 HD - XT 170 HD - XT 190 HD - XT 200 HD - Model Year 2010

Optionals On Request

Pos.	Part no.	Q.ty	Description	Remarks
2	82400003/1	1	Ejection Guard	
3	25869043/0	1	Support	
4	18566112/0	2	Cap	
5	12689515/0	2	Screw	
6	12154510/0	2	Nut	
7	25510022/0	2	Pin	
8	24487998/0	2	Cotter Pin	
9	24487999/0	1	Cotter Pin	
22	25519997/1	1	Weight	
23	12760520/0	3	Screw	
24	12155000/0	3	Nut	
42	82735502/0	1	Bracket Right Hitch Support	
43	25774213/0	1	Bracket Left Hitch Support	
44	382033105/1	1	Rod	
45	25510021/1	1	Pin	
46	24487999/0	2	Cotter Pin	
51	182180090/0	1	Battery Charger	
51	182180091/0	1	Battery Charger (U.K.)	for UK
72	325140097/0	1	Deflector (Mod. 102)	
73	25394005/0	1	Handle	
74	25510077/0	1	Pin	
75	25430245/0	1	Spring	
76	12735405/0	1	Screw	
77	25280000/1	1	Handgrip	
78	25840011/1	1	Elastic Tie-Rod	
79	25253004/0	2	Hook	

Labels





XT 160 HD - XT 170 HD - XT 190 HD - XT 200 HD - Model Year 2010

Labels

Pos.	Part no.	Q.ty	Description	Remarks
1	14357190/0	1	Label	
2	14356756/2	1	Label	
3	14356177/2	1	Label	
4	14356184/3	1	Label	
5	14357906/0	1	Label	
6	14357967/0	1	Label	
7	14357905/0	1	Label	
8	114357526/1	1	Label	
9	114357423/2	1	Label	
10	114356699/1	2	Label	
11	14356754/1	1	Label	
12	14357907/0	1	Label	
13	14357913/0	1	Label	
15	14360717/0	1	Label	
16	14360716/0	1	Label	
17	14360719/0	1	Label	
18	14360715/2	1	Label	
19	14360912/0	1	Label	